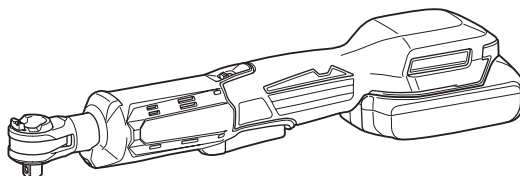




EN	Cordless Ratchet Wrench	INSTRUCTION MANUAL	4
SL	Brezžični zaskočni ključ	NAVODILA ZA UPORABO	9
SQ	Çelës me dhëmbëza me bateri	MANUALI I PËRDORIMIT	14
BG	Акумулаторна тресчотка	РЪКОВОДСТВО ЗА ЕКСПЛОАТАЦИЯ	19
HR	Bežični nasadni ključ	PRIRUČNIK S UPUTAMA	25
MK	Безжичен полуавтоматски клуч	УПАТСТВО ЗА УПОТРЕБА	30
SR	Бежични кључ за завртње и навртке	УПУТСТВО ЗА УПОТРЕБУ	35
RO	Mașină de înșurubat cu clichet cu acumulator	MANUAL DE INSTRUCȚIUNI	40
UK	Бездротовий торцевий гайковерт	ІНСТРУКЦІЯ З ЕКСПЛУАТАЦІЇ	45
RU	Аккумуляторный торцевой гайковерт	РУКОВОДСТВО ПО ЭКСПЛУАТАЦИИ	51

## DWR180



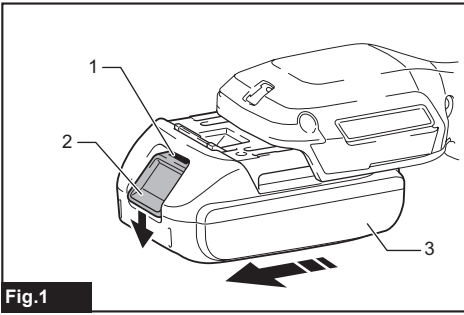


Fig.1

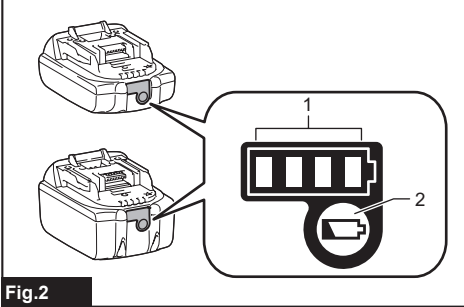


Fig.2

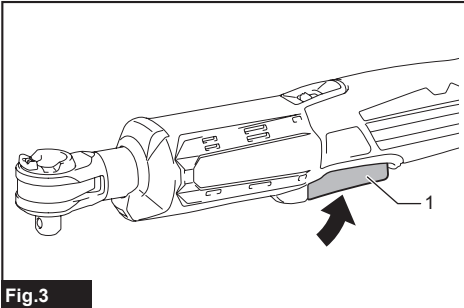


Fig.3

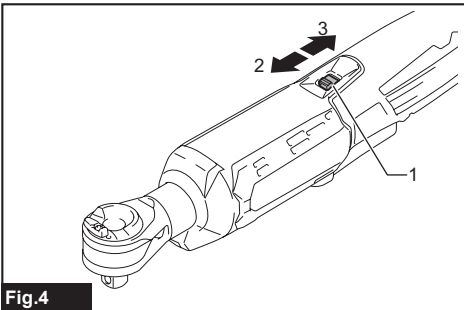


Fig.4

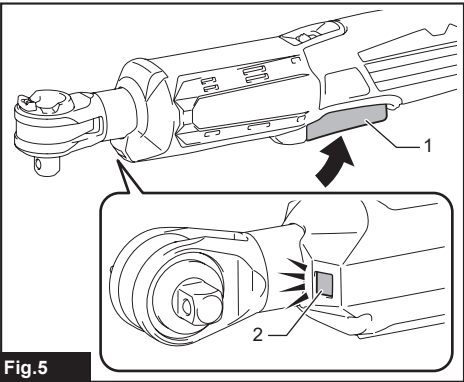


Fig.5

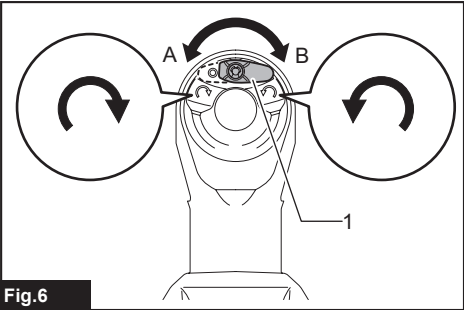


Fig.6

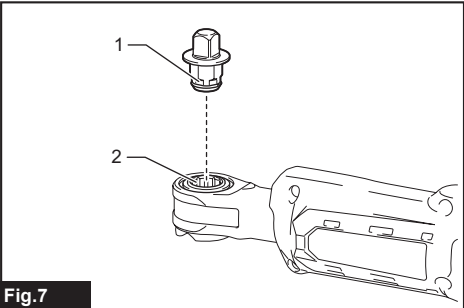


Fig.7

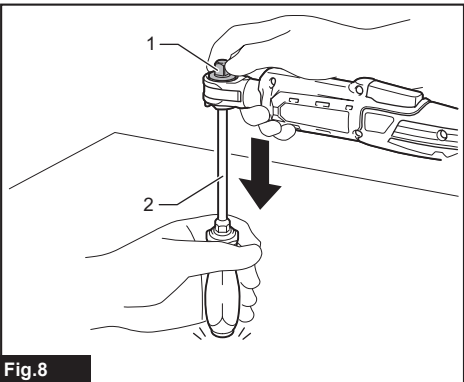
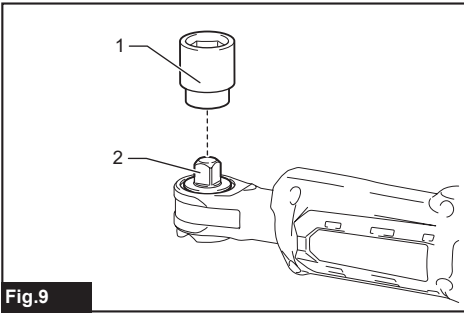
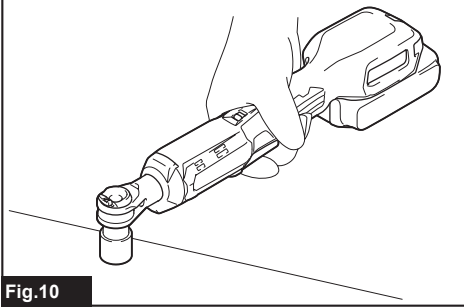


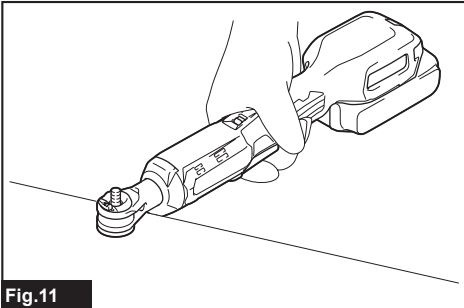
Fig.8



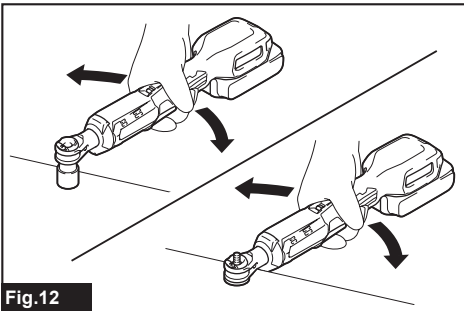
**Fig.9**



**Fig.10**



**Fig.11**



**Fig.12**

## SPECIFICATIONS

<b>Model:</b>		<b>DWR180</b>
Fastening capacities (with manual retightening)	Standard bolt	M5 - M12
	High tensile bolt	M5 - M10
Square drive		6.35 mm, 9.5 mm
No load speed		0 - 800 min <sup>-1</sup>
Maximum fastening torque		47.5 N·m
Overall length		369 mm
Rated voltage		D.C. 18 V
Net weight		1.2 - 1.6 kg

- Due to our continuing program of research and development, the specifications herein are subject to change without notice.
- Specifications and battery cartridge may differ from country to country.
- The weight may differ depending on the attachment(s), including the battery cartridge. The lightest and heaviest combinations, according to EPTA-Procedure 01/2014, are shown in the table.

### Applicable battery cartridge and charger

Battery cartridge	BL1815N / BL1820B / BL1830B / BL1840B / BL1850B / BL1860B
Charger	DC18RC / DC18RD / DC18RE / DC18SD / DC18SE / DC18SF / DC18SH

- Some of the battery cartridges and chargers listed above may not be available depending on your region of residence.

**⚠ WARNING:** Only use the battery cartridges and chargers listed above. Use of any other battery cartridges and chargers may cause injury and/or fire.

### Intended use

The tool is intended for fastening bolts and nuts.

### Noise

The typical A-weighted noise level determined according to EN62841-2-2:

Sound pressure level ( $L_{pA}$ ) : 74 dB(A)

Uncertainty (K) : 3 dB(A)

The noise level under working may exceed 80 dB (A).

**NOTE:** The declared noise emission value(s) has been measured in accordance with a standard test method and may be used for comparing one tool with another.

**NOTE:** The declared noise emission value(s) may also be used in a preliminary assessment of exposure.

**⚠ WARNING:** Wear ear protection.

**⚠ WARNING:** The noise emission during actual use of the power tool can differ from the declared value(s) depending on the ways in which the tool is used especially what kind of workpiece is processed.

**⚠ WARNING:** Be sure to identify safety measures to protect the operator that are based on an estimation of exposure in the actual conditions of use (taking account of all parts of the operating cycle such as the times when the tool is switched off and when it is running idle in addition to the trigger time).

### Vibration

The vibration total value (tri-axial vector sum) determined according to EN62841-2-2:

Work mode: fastening

Vibration emission ( $a_{h_v}$ ) : 2.5 m/s<sup>2</sup>

Uncertainty (K) : 1.5 m/s<sup>2</sup>

**NOTE:** The declared vibration total value(s) has been measured in accordance with a standard test method and may be used for comparing one tool with another.

**NOTE:** The declared vibration total value(s) may also be used in a preliminary assessment of exposure.

**⚠ WARNING:** The vibration emission during actual use of the power tool can differ from the declared value(s) depending on the ways in which the tool is used especially what kind of workpiece is processed.

**⚠ WARNING:** Be sure to identify safety measures to protect the operator that are based on an estimation of exposure in the actual conditions of use (taking account of all parts of the operating cycle such as the times when the tool is switched off and when it is running idle in addition to the trigger time).

### EC Declaration of Conformity

*For European countries only*

The EC declaration of conformity is included as Annex A to this instruction manual.

# SAFETY WARNINGS

## General power tool safety warnings

**⚠ WARNING:** Read all safety warnings, instructions, illustrations and specifications provided with this power tool. Failure to follow all instructions listed below may result in electric shock, fire and/or serious injury.

## Save all warnings and instructions for future reference.

The term "power tool" in the warnings refers to your mains-operated (corded) power tool or battery-operated (cordless) power tool.

## Cordless Ratchet Wrench safety warnings

1. **Hold the power tool by insulated gripping surfaces, when performing an operation where the fastener may contact hidden wiring.** Fasteners contacting a "live" wire may make exposed metal parts of the power tool "live" and could give the operator an electric shock.
2. **Hold the tool firmly.**
3. **Always be sure you have a firm footing. Be sure no one is below when using the tool in high locations.**
4. **Wear ear protectors.**
5. **Check the impact socket carefully for wear, cracks or damage before installation.**
6. **Keep hands away from rotating parts.**
7. **Do not touch the ratchet head, impact socket, bolt, nut or the workpiece immediately after long time operation.** They may be extremely hot and could burn your skin.

## SAVE THESE INSTRUCTIONS.

**⚠ WARNING:** DO NOT let comfort or familiarity with product (gained from repeated use) replace strict adherence to safety rules for the subject product.

MISUSE or failure to follow the safety rules stated in this instruction manual may cause serious personal injury.

## Important safety instructions for battery cartridge

1. **Before using battery cartridge, read all instructions and cautionary markings on (1) battery charger, (2) battery, and (3) product using battery.**
2. **Do not disassemble or tamper the battery cartridge.** It may result in a fire, excessive heat, or explosion.
3. **If operating time has become excessively shorter, stop operating immediately.** It may result in a risk of overheating, possible burns and even an explosion.
4. **If electrolyte gets into your eyes, rinse them out with clear water and seek medical attention right away.** It may result in loss of your eyesight.

5. **Do not short the battery cartridge:**
  - (1) **Do not touch the terminals with any conductive material.**
  - (2) **Avoid storing battery cartridge in a container with other metal objects such as nails, coins, etc.**
  - (3) **Do not expose battery cartridge to water or rain.** A battery short can cause a large current flow, overheating, possible burns and even a breakdown.
6. **Do not store and use the tool and battery cartridge in locations where the temperature may reach or exceed 50 °C (122 °F).**
7. **Do not incinerate the battery cartridge even if it is severely damaged or is completely worn out. The battery cartridge can explode in a fire.**
8. **Do not nail, cut, crush, throw, drop the battery cartridge, or hit against a hard object to the battery cartridge.** Such conduct may result in a fire, excessive heat, or explosion.
9. **Do not use a damaged battery.**
10. **The contained lithium-ion batteries are subject to the Dangerous Goods Legislation requirements.** For commercial transports e.g. by third parties, forwarding agents, special requirement on packaging and labeling must be observed. For preparation of the item being shipped, consulting an expert for hazardous material is required. Please also observe possibly more detailed national regulations. Tape or mask off open contacts and pack up the battery in such a manner that it cannot move around in the packaging.
11. **When disposing the battery cartridge, remove it from the tool and dispose of it in a safe place.** Follow your local regulations relating to disposal of battery.
12. **Use the batteries only with the products specified by Makita.** Installing the batteries to non-compliant products may result in a fire, excessive heat, explosion, or leak of electrolyte.
13. **If the tool is not used for a long period of time, the battery must be removed from the tool.**
14. **During and after use, the battery cartridge may take on heat which can cause burns or low temperature burns. Pay attention to the handling of hot battery cartridges.**
15. **Do not touch the terminal of the tool immediately after use as it may get hot enough to cause burns.**
16. **Do not allow chips, dust, or soil stuck into the terminals, holes, and grooves of the battery cartridge.** It may result in poor performance or breakdown of the tool or battery cartridge.
17. **Unless the tool supports the use near high-voltage electrical power lines, do not use the battery cartridge near high-voltage electrical power lines.** It may result in a malfunction or breakdown of the tool or battery cartridge.
18. **Keep the battery away from children.**

## SAVE THESE INSTRUCTIONS.

**⚠ CAUTION:** Only use genuine Makita batteries. Use of non-genuine Makita batteries, or batteries that have been altered, may result in the battery bursting causing fires, personal injury and damage. It will also void the Makita warranty for the Makita tool and charger.

## Tips for maintaining maximum battery life

1. Charge the battery cartridge before completely discharged. Always stop tool operation and charge the battery cartridge when you notice less tool power.
2. Never recharge a fully charged battery cartridge. Overcharging shortens the battery service life.
3. Charge the battery cartridge with room temperature at 10 °C - 40 °C (50 °F - 104 °F). Let a hot battery cartridge cool down before charging it.
4. When not using the battery cartridge, remove it from the tool or the charger.
5. Charge the battery cartridge if you do not use it for a long period (more than six months).

## FUNCTIONAL DESCRIPTION

**CAUTION:** Always be sure that the tool is switched off and the battery cartridge is removed before adjusting or checking function on the tool.

## Installing or removing battery cartridge

**CAUTION:** Always switch off the tool before installing or removing of the battery cartridge.

**CAUTION:** Hold the tool and the battery cartridge firmly when installing or removing battery cartridge. Failure to hold the tool and the battery cartridge firmly may cause them to slip off your hands and result in damage to the tool and battery cartridge and a personal injury.

► Fig.1: 1. Red indicator 2. Button 3. Battery cartridge

To remove the battery cartridge, slide it from the tool while sliding the button on the front of the cartridge.

To install the battery cartridge, align the tongue on the battery cartridge with the groove in the housing and slip it into place. Insert it all the way until it locks in place with a little click. If you can see the red indicator on the upper side of the button, it is not locked completely.

**CAUTION:** Always install the battery cartridge fully until the red indicator cannot be seen. If not, it may accidentally fall out of the tool, causing injury to you or someone around you.

**CAUTION:** Do not install the battery cartridge forcibly. If the cartridge does not slide in easily, it is not being inserted correctly.

## Tool / battery protection system

The tool is equipped with a tool/battery protection system. This system automatically cuts off the power to extend tool and battery life. The tool will automatically stop during operation if the tool or battery is placed under one of the following conditions:

### Overload protection

This protection works when the tool is operated in a manner that causes it to draw an abnormally high current. In this situation, turn the tool off and stop the application that caused the tool to become overloaded. Then turn the tool on to restart.

### Overheat protection

When the tool is overheated, the tool stops automatically and the lamp starts blinking. In this situation, let the tool and battery cool before turning the tool on again.

### Overdischarge protection

This protection works when the remaining battery capacity gets low. In this situation, remove the battery from the tool and charge the battery.

## Indicating the remaining battery capacity

*Only for battery cartridges with the indicator*

► Fig.2: 1. Indicator lamps 2. Check button

Press the check button on the battery cartridge to indicate the remaining battery capacity. The indicator lamps light up for a few seconds.

Indicator lamps			Remaining capacity
Lighted	Off	Blinking	
■	■	■	75% to 100%
■	■	□	50% to 75%
■	□	□	25% to 50%
□	□	□	0% to 25%
▬	□	□	Charge the battery.
■	□	□	The battery may have malfunctioned.
□	□	■	

**NOTE:** Depending on the conditions of use and the ambient temperature, the indication may differ slightly from the actual capacity.

**NOTE:** The first (far left) indicator lamp will blink when the battery protection system works.

## Switch action


**CAUTION:** Before installing the battery cartridge into the tool, always check to see that the switch lever actuates properly and returns to the "OFF" position when released.


To start the tool, simply pull the switch lever. Tool speed is increased by increasing pressure on the switch lever. Release the switch lever to stop.

► **Fig.3:** 1. Switch lever


**NOTE:** The tool automatically stops when you keep pulling the switch trigger for about 1 minute.

To prevent the switch lever from accidentally pulled, the lock lever is provided.

When the lock lever is in the lock position , the switch lever cannot be actuated.

When the lock lever is in the unlock position , the switch lever can be actuated.

► **Fig.4:** 1. Lock lever 2. Lock 3. Unlock

**CAUTION:** When not operating the tool, always slide the lock lever to the lock position .

## Lighting up the front lamp

**CAUTION:** Do not look in the light or see the source of light directly.

Pull the switch lever to light up the lamp. The lamp keeps on lighting while the switch lever is being pulled. The light automatically goes out approximately 10 seconds after the switch lever is released.

► **Fig.5:** 1. Switch lever 2. Lamp

**NOTICE:** When the tool is overheated, the lamp blinks. Cool down the tool fully before operating the tool again.

**NOTICE:** Use a dry cloth to wipe the dirt off the lens of the lamp. Be careful not to scratch the lens of lamp, or it may lower the illumination.

## Reversing lever action

**CAUTION:** Always check the direction of rotation before operation.

**CAUTION:** Use the reversing lever only after the tool comes to a complete stop. Changing the direction of rotation before the tool stops may damage the tool.

This tool has a reversing lever to change the direction of rotation. Turn the reversing lever to the A side for clockwise rotation or to the B side for counterclockwise rotation.

Make sure that the reversing lever is fully turned with a click.

► **Fig.6:** 1. Reversing lever

## ASSEMBLY

**CAUTION:** Always be sure that the tool is switched off and the battery cartridge is removed before carrying out any work on the tool.

## Installing or removing socket adaptor

To install the socket adaptor, push it into the adaptor hole until it locks into place.

► **Fig.7:** 1. Socket adaptor 2. Adaptor hole

To remove the socket adaptor, insert a stick like a screwdriver into the backside of the socket adaptor, and then tap it gently.

► **Fig.8:** 1. Socket adaptor 2. Screwdriver

**NOTICE:** During removal procedure, keep holding the socket adaptor to prevent it from falling off from the tool.

## Installing or removing socket

**CAUTION:** Before operation, make sure that the socket is properly locked onto the socket adaptor. Incomplete attachment of the socket may cause injury.

**NOTICE:** Always use the correct size socket for bolt/nut. An incorrect size socket will result in inconsistent fastening torque and/or damage to the bolt/nut.

To install the socket, push it onto the socket adaptor until it locks into place. To remove the socket, simply pull it off.

► **Fig.9:** 1. Socket 2. Socket adaptor

## OPERATION

**CAUTION:** Hold the tool firmly especially when the bolt/nut reaches the seating position. The socket stops rotating and the motor reaction generate instant backlash to rotate the tool.

**NOTICE:** Hold the tool pointed straight at the bolt/nut.

Hold the tool firmly and place the socket over the bolt/nut. Turn the tool on and fasten. When the bolt/nut reaches the seating position, the tool stops automatically.

► **Fig.10**

The tool also works without socket. The adaptor hole can fasten M8 (5/16") bolt/nut. (works as 13mm socket)

► **Fig.11**

## Using as hand tool

You can use the tool as a hand ratchet wrench by turning the tool in the direction arrows as illustrated. In particular when loosening a stiff bolt/nut, loosen it by hand first then turn the tool on.

► Fig.12

**NOTICE:** Excessive fastening torque may damage the bolt/nut, the socket or the tool.

## MAINTENANCE

**⚠ CAUTION:** Always be sure that the tool is switched off and the battery cartridge is removed before attempting to perform inspection or maintenance.

**NOTICE:** Never use gasoline, benzine, thinner, alcohol or the like. Discoloration, deformation or cracks may result.

To maintain product SAFETY and RELIABILITY, repairs, any other maintenance or adjustment should be performed by Makita Authorized or Factory Service Centers, always using Makita replacement parts.

## OPTIONAL ACCESSORIES

**⚠ CAUTION:** These accessories or attachments are recommended for use with your Makita tool specified in this manual. The use of any other accessories or attachments might present a risk of injury to persons. Only use accessory or attachment for its stated purpose.

If you need any assistance for more details regarding these accessories, ask your local Makita Service Center.

- Socket
- Socket adaptor
- Makita genuine battery and charger

**NOTE:** Some items in the list may be included in the tool package as standard accessories. They may differ from country to country.



## TEHNIČNI PODATKI

<b>Model:</b>		<b>DWR180</b>
Zmogljivost spenjanja (z ročnim zategovanjem)	Standardni vijak	M5 - M12
	Visoko natezni vijak	M5 - M10
Kvadratni pogon		6,35 mm, 9,5 mm
Hitrost brez obremenitve		0 - 800 min <sup>-1</sup>
Največji zatezni navor		47,5 N·m
Celotna dolžina		369 mm
Nazivna napetost		D.C. 18 V
Neto teža		1,2 - 1,6 kg

- Ker nenehno opravljamo raziskave in razvijamo svoje izdelke, se lahko tehnični podatki v tem dokumentu spremenijo brez obvestila.
- Tehnični podatki in baterijski vložki se lahko razlikujejo glede na državo uporabe izdelka.
- Teža se lahko razlikuje glede na priključke, vključno z akumulatorsko baterijo. Najlažja in najtežja kombinacija v skladu s postopkom EPTA 01/2014 sta prikazani v preglednici.

## Uporabna akumulatorska baterija in polnilnik

Baterijski vložek	BL1815N / BL1820B / BL1830B / BL1840B / BL1850B / BL1860B
Polnilnik	DC18RC / DC18RD / DC18RE / DC18SD / DC18SE / DC18SF / DC18SH

- Nekatere zgoraj navedene akumulatorske baterije in polnilniki morda v vaši državi prebivališča niso na voljo.

**⚠ OPOZORILO:** Uporabljajte le zgoraj navedene akumulatorske baterije in polnilnike. Uporaba drugih akumulatorskih baterij in polnilnikov lahko povzroči telesne poškodbe in/ali požar.

## Predvidena uporaba

Orodje je namenjeno za pritrjevanje vijakov in matic.

## Hrup

Običajna A-ovrednotena raven hrupa v skladu z EN62841-2-2:

Raven zvočnega tlaka ( $L_{pA}$ ): 74 dB (A)

Odstopanje (K): 3 dB (A)

Nivo hrupa med delom lahko preseže 80 dB (A).

**OPOMBA:** Navedene vrednosti oddajanja hrupa so bile izmerjene v skladu s standardnimi metodami testiranja in se lahko uporabljajo za primerjavo orodij.

**OPOMBA:** Navedene vrednosti oddajanja hrupa se lahko uporabljajo tudi pri predhodni oceni izpostavljenosti.

**⚠ OPOZORILO:** Uporabljajte zaščito za sluh.

**⚠ OPOZORILO:** Oddajanje hrupa med dejansko uporabo električnega orodja se lahko razlikuje od navedenih vrednosti, odvisno od načina uporabe orodja in predvsem vrste obdelovanca.

**⚠ OPOZORILO:** Upravljalavec mora za lastno zaščito poznati varnostne ukrepe, ki temeljijo na oceni izpostavljenosti v dejanskih pogojih uporabe (poleg časa proženja je treba upoštevati celoten delovni cikel, vključno s časom, ko je orodje izklopljeno, in časom, ko deluje v prostem teku).

## Vibracije

Skupne vrednosti vibracij (vektorska vsota treh osi) v skladu z EN62841-2-2:

Delovni način: spenjanje

Emisije vibracij ( $a_{h1}$ ): 2,5 m/s<sup>2</sup>

Odstopanje (K): 1,5 m/s<sup>2</sup>

**OPOMBA:** Navedene skupne vrednosti oddajanja vibracij so bile izmerjene v skladu s standardnimi metodami testiranja in se lahko uporabljajo za primerjavo orodij.

**OPOMBA:** Navedene skupne vrednosti oddajanja vibracij se lahko uporabljajo tudi pri predhodni oceni izpostavljenosti.

**⚠ OPOZORILO:** Oddajanje vibracij med dejansko uporabo električnega orodja se lahko razlikuje od navedenih vrednosti, odvisno od načina uporabe orodja in predvsem vrste obdelovanca.

**⚠ OPOZORILO:** Upravljalavec mora za lastno zaščito poznati varnostne ukrepe, ki temeljijo na oceni izpostavljenosti v dejanskih pogojih uporabe (poleg časa proženja je treba upoštevati celoten delovni cikel, vključno s časom, ko je orodje izklopljeno, in časom, ko deluje v prostem teku).

## Izjava o skladnosti ES

### Samo za evropske države

Izjava ES o skladnosti je vključena v dodatku A, ki je priložen tem navodilom za uporabo.

## VARNOSTNA OPOZORILA

### Splošna varnostna opozorila za električno orodje

**⚠ OPOZORILO:** Preberite vsa varnostna opozorila in navodila s slikami in tehničnimi podatki, ki so dobavljeni skupaj z električnim orodjem. Ob neupoštevanju spodaj navedenih navodil obstaja nevarnost električnega udara, požara in/ali hudih telesnih poškodb.

### Shranite vsa opozorila in navodila za poznejšo uporabo.

Izraz „električno orodje“ v opozorilih se nanaša na vaše električno orodje (s kablom) ali baterijsko električno orodje (brez kabla).

### Varnostna opozorila za brezžični zaskočni ključ

1. Če obstaja nevarnost, da bi s pritrjevalnikom prerezali skrito električno napeljavo, držite električno orodje na izoliranih drzalnih površinah. Ob stiku z vodniki pod napetostjo dobijo napetost vsi neizolirani kovinski deli električnega orodja, zaradi česar lahko pride do električnega udara.
2. Trdno držite orodje.
3. Vedno zagotovite, da imate trden oprijem na podlagi, kjer stojite. Kadar uporabljate orodje na višini, se prepričajte, da spodaj ni nikogar.
4. Uporabljajte zaščito za sluh.
5. Pred namestitvijo skrbno preverite udarni nastavek glede obrabe, razpok ali poškodb.
6. Ne približujte rok vrtečim se delom.
7. Ne dotikajte se glave z zaskočko, udarnega nastavka, vijaka, matice ali obdelovanca takoj po obdelavi. Lahko sta zelo vroča in povzročita opekline kože.

### SHRANITE TA NAVODILA.

**⚠ OPOZORILO:** NE dovolite, da bi zaradi udobnejšega dela ali znanja o uporabi izdelka (pridobljenega z večkratno uporabo) opustili strogo upoštevanje varnostnih zahtev v okviru pravilne uporabe orodja.

**ZLORABA** ali neupoštevanje varnostnih zahtev v teh navodilih za uporabo lahko povzroči resne telesne poškodbe.

## Pomembna varnostna navodila za akumulatorsko baterijo

1. **Pred uporabo baterijskega vložka preberite vsa navodila in opozorilne oznake na (1) polnilniku akumulatorja, (2) akumulatorju in (3) izdelku, ki uporablja akumulator.**
2. **Ne razstavljajte ali spreminjajte akumulatorske baterije.** S tem lahko povzročite požar, prekomerno vročino ali eksplozijo.
3. **Če se je čas delovanja občutno skrajšal, takoj prenehajte uporabljati orodje.** V nasprotnem primeru lahko pride do pregretja, morebitnih opeklin in celo eksplozije.
4. **Če pride elektrolit v stik z očmi, jih sperite s čisto vodo in takoj poiščite zdravniško pomoč.** Posledica je lahko izguba vida.
5. **Ne povzročite kratkega stika baterijskega vložka:**
  - (1) **Ne dotikajte se priključkov s kakršnim koli prevodnim materialom.**
  - (2) **Izogibajte se shranjevanju baterijskega vložka v vsebniku z drugimi kovinskimi predmeti kot so žbljji, kovanci itn.**
  - (3) **Ne izpostavljajte baterijskega vložka vodi ali dežju.****Kratek stik akumulatorja lahko povzroči velik električni tok, pregrevanje, morebitne opekline in celo okvaro.**
6. **Ne shranjujte in uporabljajte orodja in akumulatorske baterije na mestih, kjer lahko temperatura doseže ali preseže 50 °C (122 °F).**
7. **Ne sežigajte baterijskega vložka, tudi če je hudo poškodovan ali v celoti izpraznjen.** Baterijski vložek lahko v ognju eksplodira.
8. **Ne približajte, režite, drobite, mečite, spuščajte akumulatorske baterije oziroma ne udarjajte z akumulatorsko baterijo po trdem predmetu.** Takšno ravnanje lahko povzroči požar, prekomerno vročino ali eksplozijo.
9. **Ne uporabljajte poškodovanih akumulatorjev.**
10. **Priložene litij-ionske baterije ustrezajo zahtevam zakonodaje v zvezi z nevarnim blagom.** Za komercialne prevoze, npr. tiste, ki jih opravljajo tretje stranke in carinski posredniki, je treba upoštevati posebne zahteve v zvezi z embalažo in označevanjem. Med postopkom priprave na odpremo izdelka se je treba posvetovati s strokovnjakom za nevarne snovi. Pri tem upoštevajte tudi podrobnejše nacionalne predpise. Odprte stike oblepite z lepilnim trakom ali jih drugače zaščitite, baterijo pa zapakirajte tako, da se v embalaži ne more premikati.
11. **Ko odstranujete akumulatorsko baterijo, jo vzemite iz orodja in varno zavržite.** Upoštevajte lokalne uredbe glede odlaganja baterije.
12. **Baterije uporabljajte le z izdelki, ki jih določijo Makita.** Če namestite baterije v neskladne izdelke, lahko pride do požara, pregrevanja, eksplozije ali puščanja elektrolita.

13. Če orodja dlje časa ne uporabljate, morate iz njega odstraniti baterijo.
14. Med uporabo in po uporabi lahko akumulatorska baterija postane vroča in povzroči opekline. Z vročimi akumulatorskimi baterijami ravnajte pazljivo.
15. Ne dotikajte se priključka orodja takoj po uporabi, ker se lahko dovolj segreje, da povzroči opekline.
16. Ne dovolite, da bi se v priključke, odprtine in utore akumulatorske baterije zlepi ostružki, prah ali zemlja. Umazanija lahko povzroči slabše delovanje ali okvaro orodja oziroma akumulatorske baterije.
17. Razen če orodje podpira uporabo v bližini visokonapetostnih električnih vodov, akumulatorske baterije ne uporabljajte v bližini visokonapetostnih električnih vodov. Takšna uporaba lahko povzroči motnje v delovanju ali okvaro orodja oziroma akumulatorske baterije.
18. Baterijo hranite izven dosega otrok.

## SHRANITE TA NAVODILA.

**⚠️ POZOR:** Uporabljajte le originalne baterije Makita. Če uporabljate neoriginalne baterije Makita ali baterije, ki so bile spremenjene, lahko pride do eksplozije baterije in posledično do požara, telesnih poškodb ali materialne škode. S takšno uporabo boste tudi razveljavili garancijo Makita za orodje in polnilnik Makita.

## Nasveti za ohranjanje največje zmogljivosti akumulatorja

1. Napolnite baterijski vložek, preden se v celoti izprazni. Ko opazite, da ima orodje manjšo moč, vedno ustavite delovanje orodja in napolnite baterijski vložek.
2. Nikoli znova ne polnite popolnoma napolnjenega baterijskega vložka. Prenapolnjenje skrajša življenjsko dobo akumulatorja.
3. Baterijski vložek s sobno temperaturo napolnite pri temperaturi okolja od 10 °C do 40 °C. Počakajte, da se vroč baterijski vložek pred polnjenjem ohladi.
4. Ko akumulatorske baterije ne uporabljate, jo odstranite iz orodja ali polnilnika.
5. Če baterijskega vložka ne uporabljate dalj časa (več kot 6 mesecev), ga napolnite.

## OPIS DELOVANJA

**⚠️ POZOR:** Pred nastavljanjem ali preizkusom delovanja orodja se prepričajte, ali je orodje izključeno in ali je akumulatorska baterija odstranjena.

## Nameščanje ali odstranjevanje akumulatorske baterije

**⚠️ POZOR:** Vedno izklopite orodje, preden namestite ali odstranite akumulatorsko baterijo.

**⚠️ POZOR:** Kadar nameščate ali odstranjujete akumulatorsko baterijo, trdno držite orodje in akumulatorsko baterijo. Če orodja in akumulatorske baterije ne držite trdno, se lahko zgodi, da vam zdrsneta iz rok, posledica pa je lahko poškodba orodja in akumulatorske baterije ter telesna poškodba.

► **SI.1:** 1. Rdeči indikator 2. Gumb 3. Baterijski vložek

Če želite odstraniti akumulatorsko baterijo, jo potisnite iz orodja, pri tem pa pomikajte gumb na sprednji strani vložka.

Akumulatorsko baterijo vstavite tako, da poravnate jeziček na bateriji z utovorom na ohišju in jo potisnete v ležišče. Potisnite jo do konca, da se zaskoči. Če je rdeči indikator na zgornji strani gumba viden, pomeni, da baterija ni ustrezno zaklenjena.

**⚠️ POZOR:** Vedno namestite akumulatorsko baterijo tako, da rdeči indikator ni več viden. Če tega ne upoštevate, lahko baterija nepričakovano pade iz orodja in poškoduje vas ali osebe v neposredni bližini.

**⚠️ POZOR:** Ne nameščajte akumulatorske baterije s silo. Če se akumulatorska baterija ne zaskoči zlahka, ni pravilno vstavljena.

## Zaščitni sistem orodja/akumulatorja

Orodje je opremljeno z zaščitnim sistemom za orodje/akumulator. Sistem samodejno prekine napajanje, da podaljša življenjsko dobo orodja in akumulatorja. Orodje se samodejno zaustavi med delovanjem, če orodje ali akumulator delujeta pod naslednjimi pogoji:

### Zaščita pred preobremenitvijo

Ta zaščita deluje, kadar orodje uporabljate na način, ki povzroča neobičajno visoko porabo toka. V tem primeru izklopite orodje in prekinite delo, ki je povzročilo preobremenitev orodja. Nato vklopite orodje, da ga znova zaženete.

### Zaščita pred pregrevanjem

Če se orodje pregreje, se samodejno ustavi in lučka začne utripati. V tem primeru počakajte, da se orodje in akumulator ohladita, preden znova vklopite orodje.

### Zaščita pred izpraznjenjem









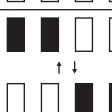
Ta zaščita deluje, ko se zmanjša zmogljivost baterije. V tem primeru odstranite akumulator iz orodja in ga napolnite.

## Prikazuje preostalo raven napolnjenosti akumulatorja

**Samo za akumulatorske baterije z indikatorjem**

► **SI.2:** 1. Indikatorne lučke 2. Gumb za preverjanje

Pritisnite gumb za preverjanje na baterijskem volčku, da preverite raven napolnjenosti akumulatorja. Indikatorne lučke na kratko zasvetijo.

Indikatorne lučke			Prikaz preostale ravni napolnjenosti
 Sveti	 Ne sveti	 Utripa	
			od 75 % do 100 %
			od 50 % do 75 %
			od 25 % do 50 %
			od 0 % do 25 %
			Napolnite akumulator.
			Akumulator je morda okvarjen.

**OPOMBA:** Odvisno od pogojev uporabe in okoljske temperature se označba lahko nekoliko razlikuje od dejanske napolnjenosti.

**OPOMBA:** Prva opozorilna lučka (skrajno levo) bo utripala, ko sistem za zaščito akumulatorja deluje.

## Delovanje stikala


**POZOR:** Preden namestite akumulatorsko baterijo v orodje, se vedno prepričajte, da je preklopna ročica brezhibna in da se vrača v položaj za izklop, ko jo spustite.


Za zagon orodja povlecite preklopno ročico. Hitrost orodja se poveča, ko povečate pritisk na preklopno ročico. Za izklop orodja spustite preklopno ročico.

► **SI.3:** 1. Preklopna ročica


**OPOMBA:** Orodje se samodejno ustavi, če držite sprožilec približno 1 minuto.

Orodje je opremljeno z zaklepno ročico, ki preprečuje nenamerno premikanje preklopne ročice.

Kadar je zaklepna ročica v zaklenjenem položaju , je premikanje preklopne ročice onemogočeno.

Kadar je zaklepna ročica v odklenjenem položaju , je premikanje preklopne ročice omogočeno.

► **SI.4:** 1. Zaklepna ročica 2. Zaklep 3. Odklep

**POZOR:** Ko orodja ne uporabljate, vedno potisnite zaklepno ročico v zaklenjeni položaj. .

## Vklop sprednje lučke

**POZOR:** Ne glejte neposredno v lučko ali vir svetlobe.

Za vklop lučke povlecite preklopno ročico. Lučka sveti, dokler vlečete preklopno ročico. Lučka samodejno ugasne približno 10 sekund po sprostitvi preklopne ročice.

► **SI.5:** 1. Preklopna ročica 2. Lučka

**OBVESTILO:** Če je orodje pregreto, lučka utripa. Pred ponovno uporabo orodje popolnoma ohladite.

**OBVESTILO:** Uporabite suho krpo, da obrišete umazanijo z leče lučke. Pazite, da ne opraskate stekla lučke, ker praske občutno zmanjšajo svetilnost.

## Vrtenje ročice za spremembo smeri vrtenja

**POZOR:** Pred obratovanjem vedno preverite smer vrtenja.

**POZOR:** Ročico za spremembo smeri vrtenja uporabite šele, ko se stroj popolnoma ustavi. Če smer vrtenja spremenite, preden se orodje zaustavi, ga lahko poškodujete.

To orodje je opremljeno z ročico za spremembo smeri vrtenja. Ročico za spremembo smeri vrtenja zavrtite v smer A za vrtenje v smeri urnega kazalca in v smer B za vrtenje v obratni smeri urnega kazalca.

Prepričajte se, da ste ročico zavrteli do konca in pri tem zaslišali klik.

► **SI.6:** 1. Ročica za spremembo smeri vrtenja

## MONTAŽA

**POZOR:** Pred vsako izvedbo dela na orodju se prepričajte, da je le to izključeno in da je akumulatorska baterija odstranjena.

## Nameščanje ali odstranjevanje nastavka

Nastavek namestite tako, da ga potisnete v odprtino za nastavek, da se zaskoči.

► **SI.7:** 1. Nastavek 2. Odprtina za nastavek

Nastavek odstranite tako, da v zadnji del nastavka vstavite raven predmet, kot je izvijač, in ga narahlo udarite.

► **SI.8:** 1. Nastavek 2. Izvijač

**OBVESTILO:** Med odstranjevanjem držite nastavek, da ne pade z orodja.

## Nameščanje ali odstranjevanje vstavka

**⚠ POZOR:** Pred uporabo orodja se prepričajte, da je vstavek pravilno nameščen v nastavek. Nepravilno nameščen vstavek lahko povzroči poškodbe.

**OBVESTILO:** Vedno uporabljajte vstavek prave velikosti za vijake/matice. Nepravilna velikost vstavka lahko povzroči neenakomeren pritrdilni moment in/ali poškodbe vijaka/matice.

Vstavek namestite tako, da ga potisnete na nastavek in počakate, da se zaskoči. Če ga želite odstraniti, ga enostavno izvlecite.

► **SI.9:** 1. Vstavek 2. Nastavek

## UPRAVLJANJE

**⚠ POZOR:** Trdno držite orodje, še posebno, kadar se vijak/matica dobro uleže. Vstavek se neha vrteti, kar povzroči takojšnjo reakcijo motorja – vrtenje orodja.

**OBVESTILO:** Držite orodje usmerjeno naravnost proti vijaku/matici.

Trdno držite orodje in postavite vstavek nad vijak/matico. Vključite orodje in zategnite. Ko se vijak/matica dobro uleže, se orodje samodejno zaustavi.

► **SI.10**

Orodje deluje tudi brez vstavka. V odprtino za nastavek je mogoče vpeti vijake/matice M8 (5/16"). (deluje kot 13-mm vstavek)

► **SI.11**

## Uporaba ročnega orodja

Orodje lahko uporabite tudi kot ročni zaskočni ključ, tako da obračate orodje v smeri puščic, kot je prikazano na sliki. Priporočljivo je, da trdno privit vijak/matico najprej ročno odvijete in šele nato vklopite orodje.

► **SI.12**

**OBVESTILO:** Čezmerni pritrdilni moment lahko poškoduje vijak/matico, vstavek ali orodje.

## VZDRŽEVANJE

**⚠ POZOR:** Preden se lotite pregledovanja ali vzdrževanja orodja, se vedno prepričajte, da je orodje izklopljeno in akumulatorska baterija odstranjena.

**OBVESTILO:** Nikoli ne uporabljajte bencina, razredčila, alkohola ali podobnega sredstva. V tem primeru se lahko orodje razbarva ali deformira oziroma lahko nastanejo razpoke.

VARNO in ZANESLJIVO delovanje tega izdelka bo zagotovljeno le, če boste popravila, vzdrževanje in nastavitve prepustili pooblaščenemu servisu za orodja Makita ali tovarniškemu osebju, ki vgrajuje izključno originalne nadomestne dele.

## DODATNA OPREMA

**⚠ POZOR:** Ta dodatni pribor ali pripomočki so predvideni za uporabo z orodjem Makita, ki je opisano v teh navodilih za uporabo. Pri uporabi drugega pribora ali pripomočkov obstaja nevarnost telesnih poškodb. Dodatni pribor ali pripomočke uporabljajte samo za navedeni namen.

Za več informacij o dodatni opremi se obrnite na najbližji pooblaščen servis za orodja Makita.

- Vstavek
- Nastavek
- Originalna akumulator in polnilnik Makita

**OPOMBA:** Nekateri predmeti na seznamu so lahko priloženi orodju kot standardna dodatna oprema. Lahko se razlikujejo od države do države.

## SPECIFIKIMET

<b>Modeli:</b>		<b>DWR180</b>
Kapacitetet shtrënguese (me rishtrëngim manual)	Bulon standard	M5 - M12
	Bulon rezistent në tërheqje	M5 - M10
Punto katrore		6,35 mm, 9,5 mm
Shpejtësia pa ngarkesë		0 - 800 min <sup>-1</sup>
Rotullimi maksimal shtrëngues		47,5 Nm
Gjatësia totale		369 mm
Tensioni nominal		D.C. 18 V
Pesha neto		1,2 - 1,6 kg

- Për shkak të programit tonë të vazhdueshëm të kërkim-zhvillimit, specifikimet që jepen këtu mund të ndryshojnë pa dhënë njoftim.
- Specifikimet dhe kutia e baterisë mund të ndryshojnë sipas shtetit.
- Pesha mund të ndryshojë në varësi të aksesorit(ëve), përfshirë kutinë e baterisë. Kombinimi më i lehtë dhe më i rëndë, sipas Procedurës EPTA 01/2014, tregohet në tabelë.

## Kutia e aplikueshme e baterisë dhe karikuesi

Kutia e baterisë	BL1815N / BL1820B / BL1830B / BL1840B / BL1850B / BL1860B
Karikuesi	DC18RC / DC18RD / DC18RE / DC18SD / DC18SE / DC18SF / DC18SH

- Disa prej kutive të baterive dhe karikuesve të renditura më lart mund të mos jenë të disponueshme në varësi të zonës ku ju banoni.

**⚠ PARALAJMËRIM:** Përdorni vetëm kutitë e baterisë dhe karikuesit e listuar më lart. Përdorimi i karikuesve dhe kutive të tjera të baterisë mund të shkaktojë lëndim dhe/ose zjarr.

## Përdorimi i synuar

Pajisja është synuar për mbërthimin e bulonave dhe dadove.

## Zhurma

Niveli tipik i zhurmës A, i matur sipas EN62841-2-2:

Niveli i presionit të zhurmës ( $L_{pA}$ ): 74 dB (A)

Pasiguria (K): 3 dB (A)

Niveli i zhurmës mund të tejkalojë 80 dB (A).

**SHËNIM:** Vlerat e deklaruar totale të emetimeve të zhurmës janë matur sipas një metode standarde testimi dhe mund të përdoren për të krahasuar një vegël me një tjetër.

**SHËNIM:** Vlerat e deklaruar të emetimeve të zhurmës mund të përdoren për një vlerësim paraprak të ekspozimit.

**⚠ PARALAJMËRIM:** Mbani mbrojtëse për veshët.

**⚠ PARALAJMËRIM:** Emetimet e zhurmës gjatë përdorimit aktual të veglës elektrike mund të ndryshojnë nga vlerat e deklaruar në varësi të mënyrave sesi përdoret vegla, veçanërisht nga lloji i materialit të punës që përdoret.

**⚠ PARALAJMËRIM:** Vërtetoni që masat e sigurisë për mbrojtjen e përdoruesit bazohen në vlerësimin e ekspozimit ndaj kushteve aktuale të përdorimit (duke marrë parasysh të gjitha pjesët e ciklit të funksionimit si ato kur pajisja është e fikur dhe punon pa prerë ashtu edhe kohën e përdorimit).

## Dridhja

Vlera totale e dridhjeve (shuma e vektorit me tre akse) përcaktohet sipas EN62841-2-2:

Regjimi i punës: shtrëngimi

Emetimi i dridhjeve ( $a_{hj}$ ): 2,5 m/s<sup>2</sup>

Pasiguria (K): 1,5 m/s<sup>2</sup>

**SHËNIM:** Vlerat e deklaruar totale të dridhjeve janë matur sipas një metode standarde testimi dhe mund të përdoren për të krahasuar një vegël me një tjetër.

**SHËNIM:** Vlerat e deklaruar totale të dridhjeve mund të përdoren për një vlerësim paraprak të ekspozimit.

**⚠ PARALAJMËRIM:** Emetimet e dridhjeve gjatë përdorimit aktual të veglës elektrike mund të ndryshojnë nga vlerat e deklaruar në varësi të mënyrave sesi përdoret vegla, veçanërisht nga lloji i materialit të punës që përdoret.

**⚠ PARALAJMËRIM:** Vërtetoni që masat e sigurisë për mbrojtjen e përdoruesit bazohen në vlerësimin e ekspozimit ndaj kushteve aktuale të përdorimit (duke marrë parasysh të gjitha pjesët e ciklit të funksionimit si ato kur pajisja është e fikur dhe punon pa prerë ashtu edhe kohën e përdorimit).

## Deklarata e konformitetit me KE-në

**Vetëm për shtetet evropiane**

Deklarata e konformitetit me KE-në përfshihet si Shtojca A në këtë manual përdorimi.

# PARALAJMËRIME SIGURIE

## Paralajmërimet e përgjithshme për sigurinë e veglës

**▲ PARALAJMËRIM:** Lexoni të gjitha paralajmërimet për sigurinë, udhëzimet, ilustrimet dhe specifikimet e dhëna me këtë vegël elektrike. Mosndjekja e të gjitha udhëzimeve të renditura më poshtë mund të shkaktojë goditje elektrike, zjarr dhe/ose lëndim të rëndë.

## Ruajini të gjitha paralajmërimet dhe udhëzimet për të ardhmen.

Termi "vegël elektrike" në paralajmërimi i referohet veglës elektrike që përdoret e lidhur në prizë (me kordon) ose veglës së përdorur me bateri (pa kordon).

## Paralajmërimet për sigurinë e çelësit me dhëmbëza me bateri

1. Mbajeni pajisjen elektrike te sipërfaqet e izoluar kapëse kur të jeni duke kryer një veprim në të cilin mbërthyesi mund të kontaktojë me tela të fshehur. Nëse mbërthyesit prekin një tel me rrymë atëherë pjesët metalike të pajisjes elektrike elektrizohen dhe mund t'i japin punëtorit goditje elektrike.
2. Mbajeni veglën fort.
3. Gjithmonë sigurohuni që të keni bazament të fortë qëndrimi. Sigurohuni që të mos ketë njeri poshtë ndërkohë që e përdorni pajisjen në vende të larta.
4. Mbani mbrojtëse për veshët.
5. Përpara instalimit kontrolloni çelësin e goditjes me kujdes për konsumim, krisje ose dëmtim.
6. Mbajini duart larg pjesëve rrotulluese.
7. Mos e prekni kokën me dhëmbëza, çelësin e goditjes, bulonin, dadon apo materialin e punës menjëherë pas përdorimit për kohë të gjatë. Ato mund të jenë jashtëzakonisht të nxehta dhe mund t'ju djegin lëkurën.

## RUAJINI KËTO UDHËZIME.

**▲ PARALAJMËRIM:** MOS lejoni që njohta ose familjarizimi me produktin (të fituara nga përdorimi i shpeshtë) të zëvendësojnë zbatimin me përpikëri të rregullave të sigurisë për produktin në fjalë.

KEQPËRDORIMI ose mosndjekja e rregullave të sigurisë të dhëna në këtë manual përdorimi mund të shkaktojë dëmtime të rënda personale.

## Udhëzime të rëndësishme rreth sigurisë për kutinë e baterisë

1. Përpara se ta përdorni kutinë e baterisë, lexoni të gjitha udhëzimet dhe shënimet e masave parandaluese të (1) ngarkuesi i baterisë, (2) bateria dhe (3) produkti që përdor baterinë.
2. Mos e gmontoni ose dëmtoni kutinë e baterisë. Kjo mund të shkaktojë zjarr, nxehtësi të lartë ose shpërthim.
3. Nëse koha e përdorimit është shkurtuar jashtë mase, ndalojeni punën menjëherë. Kjo mund të rezultojë në rrezik mbinxehjeje, djegie të mundshme, madje edhe shpërthim.
4. Nëse ju futen elektrolitit në sy, shpëlajini sytë me ujë të pastër dhe kërkoni ndihmë mjekësore menjëherë. Kjo gjë mund të rezultojë në humbje të shikimit.
5. Mos bëni lidhje të shkurtër me kutinë e baterisë:
  - (1) Mos i prekni terminalet me materiale përcjellëse.
  - (2) Shmangni ruajtjen e kutisë së baterisë në një kuti me objekte të tjera metalike, si gozhdë, monedha etj.
  - (3) Mos e ekspozoni kutinë e baterisë në ujë ose shi.

Qarku i shkurtër i baterisë mund të shkaktojë qarkullim të madh të rrymës elektrike, mbinxehjeje, djegie të mundshme dhe madje prishje.

6. Mos e ruani dhe mos e përdorni pajisjen dhe kutinë e baterisë në vende ku temperatura mund të arrijë ose tejkalojë 50 °C (122 °F).
7. Mos e digjini kutinë e baterisë, edhe nëse është shumë e dëmtuar ose është konsumuar plotësisht. Kutia e baterisë mund të shpërthejë në zjarr.
8. Mos e shponi, pritni, shtypni, hidhni apo rrëzoni kutinë e baterisë apo ta goditni kutinë e baterisë me një objekt të fortë. Një sjellje e tillë mund të shkaktojë zjarr, nxehtësi të lartë ose shpërthim.
9. Mos përdorni bateri të dëmtuar.
10. Bateritë e përfshira të litiumit, u nënshtrohen kërkesave të legjislativitetit për mallrat e rrezikshme.

Për transport tregtar p.sh. nga palë të treta, agjentët të ndërmjetëm, duhet të ndiqen kërkesa specifike mbi paketimin dhe etiketimin. Për përgatitjen e artikullit për transport, është i nevojshëm konsultimi i një eksperti për materiale të rrezikshme. Ju lutemi, ndiqni gjithashtu rregulloret me gjasë më të detajuara vendore. Mbuloni me ngjitëse ose maskoni kontaktet e zhveshura dhe paketojeni baterinë në mënyrë të tillë që të mos lëvizë në paketim.

11. Kur hidhni kutinë e baterisë, hiqeni nga vegla dhe hidhni në një vend të sigurt. Zbatoni rregulloret lokale rreth hedhjes së baterisë.
12. Përdorini bateritë vetëm me produktet e specifikuar nga Makita. Instalimi i baterive në produkte të papajtueshme mund të rezultojë në zjarr, nxehtësi të lartë, shpërthim ose rrjedhje të elektroliteve.

13. Nëse vegla nuk përdoret për një periudhë të gjatë kohe, bateria duhet të hiqet nga vegla.
14. Gjatë dhe pas përdorimit, kutia e baterisë mund të nxehtet, gjë që mund të shkaktojë djegie ose djegie në temperaturë të ulët. Tregoni kujdes gjatë manovrimit të kutive të nxehta të baterive.
15. Mos prekni terminalin e veglës menjëherë pas përdorimit pasi mund të nxehtet aq shumë sa të shkaktojë djegie.
16. Mos lejoni që grumbullimin e ashklave, pluhurave ose papastërtive në terminalët, vrimat ose kanalet e kutisë së baterisë. Kjo mund të shkaktojë rendiment të ulët ose dëmtim të veglës ose të kutisë së baterisë.
17. Përveç kur vegla e mbështet përdorimin pranë linjave elektrike me voltazh të lartë, mos e përdorni kutinë e baterisë pranë linjave elektrike me voltazh të lartë. Kjo mund të shkaktojë një defekt ose dëmtim të veglës ose të kutisë së baterisë.
18. Mbajeni baterinë larg fëmijëve.

## RUAJINI KËTO UDHËZIME.

**▲KUJDES:** Përdorni vetëm bateri origjinale Makita. Përdorimi i baterive jo-origjinale Makita ose baterive që mund të jenë modifikuar, mund të rezultojë në marrjen flakë të baterisë, lëndime personale apo dëmtime. Kjo do të anulohet gjithashtu edhe garancinë e Makita-s për veglën e Makita-s dhe ngarkuesin.

## Këshilla për të ruajtur jetëgjatësinë maksimale të baterisë

1. Ngarkojeni baterinë përpara se të shkarkohet plotësisht. Gjithmonë ndaloni punën me pajisjen dhe ngarkoni baterinë kur vëreni ulje të fuqisë së pajisjes.
2. Asnjëherë mos e ringarkoni baterinë e ngarkuar plotësisht. Mbingarkimi shkurton jetëgjatësinë e shërbimit të baterisë.
3. Ngarkojeni baterinë në temperaturën e dhomës në 10 °C - 40 °C. Lëreni kutinë e nxehtë të baterisë të ftohet përpara se ta ngarkoni atë.
4. Kur nuk e përdorni kutinë e baterisë, hiqeni atë nga vegla ose karikuesi.
5. Ngarkojeni baterinë nëse nuk e përdorni për një kohë të gjatë (mbi gjashtë muaj).

## PËRSHKRIMI I PUNËS

**▲KUJDES:** Sigurohuni gjithmonë që vegla të jetë e fikur dhe kutia e baterisë të jetë hequr përpara se ta rregulloni apo t'i kontrolloni funksionet e veglës.

## Instalimi ose heqja e kutisë së baterisë

**▲KUJDES:** Fikeni gjithmonë veglën përpara se të instaloni ose hiqni kutinë e baterisë.

**▲KUJDES:** Mbajeni fort veglën dhe kutinë e baterisë kur montoni ose hiqni kutinë e baterisë.

Mosmbajta fort e veglës dhe e kutisë së baterisë mund të bëjë që t'ju rrëshqasin nga duart dhe të shkaktojë dëmtim të veglës dhe të kutisë së baterisë, si dhe lëndim personal.

► Fig. 1. 1. Treguesi i kuq 2. Butoni 3. Kutia e baterisë

Për të hequr kutinë e baterisë, rrëshqiteni atë nga vegla ndërsa rrëshqisni butonin në pjesën e përparme të kutisë së baterisë.

Për të vendosur kutinë e baterisë, bashkërenditni gjuhëzën e kutisë së baterisë me kanalën e folesë dhe rrëshqiteni për ta futur. Futeni deri në fund, derisa të kërçasë dhe të bllokohet në vend. Nëse shikoni treguesin e kuq në anën e sipërme të butonit, ajo nuk është e bllokuar plotësisht.

**▲KUJDES:** Vendoseni gjithnjë plotësisht kutinë e baterisë derisa treguesi i kuq të mos duket. Në të kundërt, ajo mund të bjerë aksidentalisht nga vegla duke ju lënduar juve ose personin pranë jush.

**▲KUJDES:** Mos e vendosni me forcë kutinë e baterisë. Nëse kutia nuk hyn lehtë, nuk po e futni siç duhet.

## Sistemi i mbrojtjes së veglës/baterisë

Vegla është e pajisur me një sistem të mbrojtjes së veglës/baterisë. Ky sistem ndërpret automatikisht energjinë për të zgjatur jetëgjatësinë e veglës dhe baterisë. Vegla do të ndalojë automatikisht gjatë punës nëse vegla ose bateria janë vendosur sipas një prej kushteve të mëposhtme:

### Mbrojtja nga mbingarkesa

Kjo mbrojtje funksionon kur vegla përdoret në një mënyrë që e bën atë të marrë rrymë të lartë anormale. Në këtë situatë, fikeni veglën dhe ndaloni punën që shkaktoi mbingarkesën e veglës. Pastaj ndizeni veglën për ta rinisur.

### Mbrojtja ndaj mbinxehjes

Kur vegla është e mbinxehur, ajo ndalon automatikisht dhe llamba nis së pulsuar. Në këtë situatë, lëreni veglën dhe baterinë të ftohen përpara se ta ndizni veglën sërish.

### Mbrojtja nga mbishkarkimi

Kjo mbrojtje funksionon kur ulet kapaciteti i mbetur i baterisë. Në këtë situatë, hiqeni baterinë nga vegla dhe karikojeni.



## Treguesi i kapacitetit të mbetur të baterive

Vetëm për kuti baterie me llambë

► **Fig.2:** 1. Llambat treguese 2. Butoni i kontrollit  
Shtypni butonin e kontrollit në rutinë e baterisë për të treguar kapacitetin e mbetur të baterisë. Llambat treguese ndizen për pak sekonda.

Llambat treguese			Kapaciteti i mbetur
Ndezur	Fikur	Duke pulsuar	
■	□	▣	75% deri 100%
■ ■ ■ ■	■ ■ ■ ■	■ ■ ■ ■	50% deri 75%
■ ■ ■ ■	□ □ □ □	□ □ □ □	25% deri 50%
■	□ □ □ □	□ □ □ □	0% deri 25%
▣	□ □ □ □	□ □ □ □	Ngarkojeni baterinë.
■ ■ ■ ■	□ □ □ □	□ □ □ □	Llambushka mund të ketë keqfunksionuar.
	↑ ↓	□ □ ■ ■	

**SHËNIM:** Në varësi të kushteve të përdorimit dhe të temperaturës së ambientit, treguesi mund të ndryshojë paksa nga kapaciteti aktual.

**SHËNIM:** Llamba e parë e treguesit (në fund majtas) do të pulsojë kur sistemi i mbrojtjes së baterisë është në punë.


## Veprimi i ndërrimit


**▲KUJDES:** Përpara se të montoni rutinë e baterisë në vegël, kontrolloni gjithmonë për të parë nëse leva e çelësit aktivizohet siç duhet dhe nëse kthehet në pozicionin "FIKUR" kur lëshohet.

Për ta ndezur veglën, thjesht tërhiqni levën e çelësit. Shpejtësia e veglës rritet duke rritur presionin në levën e çelësit. Lëshoni levën e çelësit për ta ndaluar.

► **Fig.3:** 1. Leva e çelësit

**SHËNIM:** Vegla ndalon automatikisht kur vazhdoni të tërhiqni këmbëzën e çelësit për rreth 1 minutë.

Për të shmangur tërheqjen aksidentale të levës së çelësit, vegla është pajisur me levë bllokimi. Kur leva e bllokimit është në pozicionin e kyçur , leva e çelësit nuk mund të aktivizohet.

Kur leva e bllokimit është në pozicionin e shkyçur , leva e çelësit mund të aktivizohet.

► **Fig.4:** 1. Leva e bllokimit 2. Kyçur 3. Shkyçur

**▲KUJDES:** Kur vegla nuk është në përdorim, gjithmonë rreshtëni levën e bllokimit në pozicionin e kyçur .

## Ndezja e llambës së përpame

**▲KUJDES:** Mos e shikoni direkt dritën ose burimin e dritës.

Tërhiqni levën e çelësit për të ndezur llambën. Llamba qëndron e ndezur gjatë tërheqjes së levës së çelësit. Drita fiket automatikisht rreth 10 sekonda pas lëshimit të levës së çelësit.

► **Fig.5:** 1. Leva e çelësit 2. Llamba

**VINI RE:** Kur vegla mbinxehet, llamba pulson. Lëreni veglën që të ftohet plotësisht përpara se ta përdorni sërish.

**VINI RE:** Përdorni një leckë të thatë për të fshirë papastëritë nga lentet e llambës. Bëni kujdes të mos gërvishni lentet e llambës, në të kundërt ajo do të ulë ndriçimin.

## Veprimi i levës së ndryshimit

**▲KUJDES:** Kontrolloni gjithmonë drejtimin e rrotullimit përpara përdorimit.

**▲KUJDES:** Përdorni levën e ndryshimit vetëm pasi vegla të ndalojë plotësisht. Ndryshimi i drejtimit të rrotullimit përpara se të ndalojë vegla mund të dëmtojë veglën.

Vegla ka një levë ndryshimi për të ndryshuar drejtimin e rrotullimit. Rrotulloni levën e ndryshimit në anën A për rrotullimin në drejtimin të akrepave të orës ose në anën B për rrotullimin në drejtim të kundërt të akrepave të orës.

Sigurohuni që leva e ndryshimit rrotullohet plotësisht me një klikim.

► **Fig.6:** 1. Leva e ndryshimit

## MONTIMI

**▲KUJDES:** Sigurohuni gjithmonë që vegla të jetë e fikur dhe kutia e baterisë të jetë hequr përpara se të kryeni ndonjë punë në vegël.

## Instalimi ose heqja e përshtatësit të çelësit

Për të vendosur përshtatësin e çelësit, shtypni atë në vrimën e përshtatësit derisa të bllokohet në vend.

► **Fig.7:** 1. Përshtatësi i çelësit 2. Vrima e përshtatësit

Për të hequr përshtatësin e çelësit, fusni diçka të hollë si p.sh. kaçavidë në pjesën e pasme të përshtatësit të çelësit, dhe më pas trokiteni me butësi.

► **Fig.8:** 1. Përshtatësi i çelësit 2. Kaçavida

**VINI RE:** Gjatë procedurës së heqjes, vazhdoni të mbani përshtatësin e çelësit për të mos lejuar që të bjerë nga vegla.

## Instalimi ose heqja e çelësit

**▲KUJDES:** Përpara përdorimit, sigurohuni që çelësi të jetë kyçur mirë në përshtatësin e çelësit. Vendorsja e paplotë e çelësit mund të shkaktojë lëndim.

**VINI RE:** Përdorni gjithmonë çelësa të përmasave të duhura për bulonin/dadon. Çelësat e përmasave të gabuara do të rezultojnë në shtrëngim jo të rregullt dhe/ose dëmtimin e bulonit/dados.

Për të vendosur çelësin, shtyjeni atë në përshtatësin e çelësit derisa të bllokohet në vend. Për të hequr çelësin, thjesht tërhiqeni.

► **Fig.9:** 1. Çelësi 2. Përshtatësi i çelësit

## PËRDORIMI

**▲KUJDES:** Mbajeni veglën fort veçanërisht kur buloni/dadoja arrin pozicionin e folesë. Çelësi ndalon rrotullimin dhe reagimi i motorit krijon kthim pas në çast që rrotullon veglën.

**VINI RE:** Mbajeni veglën të drejtuar drejt bulonit/dados.

Mbajeni veglën fort dhe vendosni çelësin mbi bulon/dado. Ndizni veglën dhe shtrëngojeni. Kur buloni/dadoja arrin pozicionin e folesë, vegla ndalon automatikisht.

► **Fig.10**

Vegla funksionon gjithashtu edhe pa çelës. Vrima e përshtatësit mund të shtrëngojë bulonin/dadon M8 (5/16"). (funksionon si çelës 13 mm)

► **Fig.11**

## Përdorimi si vegël dore

Veglën mund ta përdorni si çelës dore me dhëmbëza duke e kthyer veglën në shigjetat e drejtimit siç ilustrohet. Në veçanti kur lironi një bulon/dado të fortë, lirojeni me dorë në fillim dhe më pas ndizni veglën.

► **Fig.12**

**VINI RE:** Shtrëngimi i tepërt mund të dëmtojë bulonin/dadon, çelësin ose veglën.

## MIRËMBAJTJA

**▲KUJDES:** Sigurohuni gjithmonë që vegla të jetë fikur dhe të jetë hequr nga bateria përpara se të kryeni inspektimin apo mirëmbajtjen.

**VINI RE:** Mos përdorni kurrë benzinë, benzinë pastrimi, hollues, alkool dhe të ngjashme. Mund të shkaktoni çngjyrosje, deformime ose krisje.

Për të ruajtur SIGURINË dhe QËNDRUESHMËRINË, riparimet dhe çdo mirëmbajtje apo rregullim tjetër duhen kryer nga qendrat e autorizuara të shërbimit ose të shërbimit të fabrikës të Makita-s, duke përdorur gjithnjë pjesë këmbimi të Makita-s.

## AKSESORË OPSIONALE

**▲KUJDES:** Këta aksesore ose shtojca rekomandohen për përdorim me veglën Makita të përcaktuar në këtë manual. Përdorimi i aksesorëve apo shtojcave të tjera ndryshe nga këto mund të përbëjë rrezik lëndimi. Aksesorët ose shtojcat përdorini vetëm për qëllimin e tyre të përcaktuar.

Nëse keni nevojë për më shumë të dhëna në lidhje me aksesorët, pyesni qendrën vendore të shërbimit të Makita-s.

- Çelësi
- Përshtatësi i çelësit
- Bateri dhe ngarkues origjinal Makita

**SHËNIM:** Disa artikuj të listës mund të përfshihen në paketën e veglës si aksesore standardë. Ato mund të ndryshojnë nga njëri shtet në tjetrin.

## СПЕЦИФИКАЦИИ

<b>Модел:</b>		<b>DWR180</b>
Работен капацитет при затягане (с ръчно повторно затягане)	Стандартен болт	M5 – M12
	Усилен болт	M5 – M10
Квадратен накрайник		6,35 мм, 9,5 мм
Скорост без товар		0 – 800 мин <sup>-1</sup>
Максимален момент на затягане		47,5 N•m
Обща дължина		369 мм
Номинално напрежение		Постоянно напрежение 18 V
Нето тегло		1,2 – 1,6 кг

- Поради нашата непрекъсната научно-развойна дейност посочените тук спецификации могат да бъдат променени без предизвестие.
- Спецификациите и акумулаторните батерии може да са различни в различните държави.
- Теглото може да се различава в зависимост от принадлежността(ите), включително акумулаторната батерия. Най-леката и най-тежката комбинация в съответствие с процедурата на EPTA 01/2014 са показани в таблицата.

## Приложима акумулаторна батерия и зарядно устройство

Акумулаторна батерия	BL1815N / BL1820B / BL1830B / BL1840B / BL1850B / BL1860B
Зарядно устройство	DC18RC / DC18RD / DC18RE / DC18SD / DC18SE / DC18SF / DC18SH

- Някои от акумулаторните батерии и зарядните устройства, посочени по-горе, може да не са налични в зависимост от региона на местоживеене.

**▲ ПРЕДУПРЕЖДЕНИЕ:** Използвайте само посочените по-горе акумулаторни батерии и зарядни устройства. Използването на други акумулаторни батерии и зарядни устройства може да причини нараняване и/или пожар.

### Предназначение

Инструментът е предназначен за затягане на болтове и гайки.

### Шум

Обичайното ниво на шума с тегловен коефициент A, определено съгласно EN62841-2-2:

Ниво на звуково налягане ( $L_{pA}$ ): 74 dB(A)

Коефициент на неопределеност (K): 3 dB(A)

При работа нивото на шума може да превиши 80 dB (A).

**ЗАБЕЛЕЖКА:** Обявената(ите) стойност(и) на шумовите емисии  $e(sa)$  измерена(и) в съответствие със стандартни методи за изпитване и може да се използва(т) за сравняване на инструменти.

**ЗАБЕЛЕЖКА:** Обявеното(ите) стойност(и) на шумови емисии може да се използва(т) също и за предварителна оценка на вредното въздействие.

**▲ ПРЕДУПРЕЖДЕНИЕ:** Използвайте предпазни средства за слуха.

**▲ ПРЕДУПРЕЖДЕНИЕ:** Нивото на шума при работа с електрическия инструмент може да се различава от обявената(ите) стойност(и) в зависимост от начина на използване на инструмента, по-специално какъв детайл се обработва.

**▲ ПРЕДУПРЕЖДЕНИЕ:** Задължително определете предпазни мерки за защита на оператора въз основа на оценка на риска в реални работни условия (като се вземат предвид всички етапи на работния цикъл, като например момента на изключване на инструмента, работата на празен ход, както и времето на действие).

## Вибрации

Общата стойност на вибрациите (сума от три осови вектора), определена съгласно EN62841-2-2:

Работен режим: затягане

Ниво на вибрациите ( $a_h$ ): 2,5  $m/s^2$

Коефициент на неопределеност (K): 1,5  $m/s^2$

**ЗАБЕЛЕЖКА:** Обявената(ите) обща(и) стойност(и) на вибрациите  $e(sa)$  измерена(и) в съответствие със стандартни методи за изпитване и може да се използва(т) за сравняване на инструменти.

**ЗАБЕЛЕЖКА:** Обявената(ите) обща(и) стойност(и) на вибрациите може да се използва(т) също и за предварителна оценка на вредното въздействие.

**▲ ПРЕДУПРЕЖДЕНИЕ:** Нивото на вибрациите при работа с електрическия инструмент може да се различава от обявената(ите) стойност(и) в зависимост от начина на използване на инструмента, по-специално какъв детайл се обработва.

**▲ ПРЕДУПРЕЖДЕНИЕ:** Задължително определете предпазни мерки за защита на оператора въз основа на оценка на риска в реални работни условия (като се вземат предвид всички етапи на работния цикъл, като например момента на изключване на инструмента, работата на празен ход, както и времето на задействане).

## ЕО декларация за съответствие

*Само за европейските страни*

ЕО декларацията за съответствие е включена като Анекс А към тази инструкция за употреба.

## ПРЕДУПРЕЖДЕНИЯ ЗА БЕЗОПАСНОСТ

### Общи предупреждения за безопасност при работа с електрически инструменти

**▲ ПРЕДУПРЕЖДЕНИЕ:** Прочетете всички предупреждения, инструкции, илюстрации и спецификации за безопасността, предоставени с този електрически инструмент. При неспазване на изброените по-долу инструкции има опасност от токов удар, пожар и/или тежко нараняване.

## Запазете всички предупреждения и инструкции за справка в бъдеще.

Терминът "електрически инструмент" в предупрежденията се отнася за вашата инструкция (с кабел за включване в мрежата) или работещ на батерии (безжичен) електрически инструмент.

## Предупреждения за безопасна работа с акумулаторна тресчотка

1. **Дръжте електрическия инструмент за изолираните и нехлъзгави повърхности, когато има опасност закрепващият елемент да допре в скрити кабели.** Ако закрепващите елементи се допрат до проводник под напрежение, токът може да премине през металните части на инструмента и да "ударят" работещия.
2. **Дръжте инструмента здраво.**
3. **Винаги осигурявайте добра опора за краката си.**  
Когато използвате инструмента на високи места, се убедете, че отдолу няма ниски.
4. **Носете предпазни средства за слуха.**
5. **Преди монтаж проверете ударната глава внимателно за износване, пукнатини или увреждания.**
6. **Дръжте ръцете си далеч от въртящите се части.**
7. **Не докосвайте главата с тресчотка, ударната глава, болта, гайката или обработвания детайл непосредствено след продължителна работа.** Те могат да бъдат много горещи и да изгорят кожата си.

## ЗАПАЗЕТЕ НАСТОЯЩИТЕ ИНСТРУКЦИИ.

**▲ ПРЕДУПРЕЖДЕНИЕ:** НЕ позволявайте комфорта от познаването на продукта (придобит при дългата му употреба) да замени стриктното спазване на правилата за безопасност за въпросния продукт.

**НЕПРАВИЛНАТА УПОТРЕБА** и неспазването на правилата за безопасност, посочени в настоящото ръководство за експлоатация, може да доведе до тежки наранявания.

## Важни инструкции за безопасност за акумулаторната батерия

1. **Преди да използвате акумулаторната батерия, прочетете всички инструкции и предупредителни маркировки на (1) зарядното устройство за батериите, (2) за батериите и (3) за използващия батериите продукт.**
2. **Не разглобявайте и не променяйте акумулаторната батерия.** Това може да предизвика пожар, прегряване или взрив.
3. **Ако мощността на машината намалее много, веднага спрете да работите.** Това може да доведе до риск от прегряване, до възможни изгаряния и даже до експлозии.
4. **Ако в очите ви попадне електролит, изплакнете ги с чиста вода и веднага потърсете лекарска помощ.** Това може да доведе до загуба на зрението ви.

5. **Не давайте на късо акумулаторните батерии:**
  - (1) **Не докосвайте клемите с проводими материали.**
  - (2) **Избягвайте съхраняването на акумулаторните батерии в контейнер с други метални предмети като пирони, монети и други подобни.**
  - (3) **Не излагайте акумулаторните батерии на вода или дъжд.**

Закъсяването на акумулаторна батерия може да доведе до протичане на много силен ток, до прегряване, до възможни изгаряния и даже до разпадане на батерията.
6. **Не съхранявайте и не използвайте инструмента и акумулаторните батерии на места, където температурата може да достигне или надмине 50 °C (122 °F).**
7. **Не изгаряйте акумулаторните батерии даже и ако те са сериозно повредени или напълно износени. Акумулаторната батерия може да експлодира в огън.**
8. **Не забивайте пирони, не режете, не смачквайте, не хвърляйте, не изпускате и не удряйте в твърд предмет акумулаторната батерия.** Това поведение може да предизвика пожар, прегряване или взрив.
9. **Не използвайте повредени акумулаторни батерии.**
10. **Съдържащите се литиево-йонни акумулаторни батерии са обект на изискванията на законодателството за опасни стоки.**

При търговски превози, напр. от трети страни, спедитори, трябва да се спазват специални изисквания за опаковане и етикетирание. За подготовка на артикула, който трябва да бъде изпратен, е необходима консултация с експерт по опасните материали. Моля, спазвайте и евентуално по-подробните национални разпоредби.

Залепете с лента или покрийте откритите контакти и опаковайте акумулаторната батерия по такъв начин, че да не може да се премества в опаковката.
11. **При изхвърляне на акумулаторната батерия я извадете от инструмента и я изхвърлете на подходящо място. Спазвайте местните разпоредби за изхвърляне на акумулаторни батерии.**
12. **Използвайте батериите само с продуктите, определени от Makita.** Поставянето на батерии към неодобрени продукти може да предизвика пожар, прегряване, взрив или изтичане на електролит.
13. **Ако инструментът няма да се използва продължително време, батерията трябва да се извади от него.**
14. **По време на и след употреба акумулаторната батерия може да поеме топлина, която може да причини изгаряния или нискотемпературни изгаряния. Внимавайте, когато боравите с горещите акумулаторни батерии.**
15. **Не докосвайте клемата на инструмента веднага след употреба, тъй като е възможно да е достатъчно нагрята, за да предизвика изгаряния.**
16. **Не позволявайте стружки, прах или почва да полепват по клемите, отворите и каналите на акумулаторната батерия.** Това може да доведе до лоши работни характеристики или повреда на инструмента или акумулаторната батерия.
17. **Освен ако инструментът поддържа използването в близост до високоволтови електропроводи, не използвайте акумулаторната батерия близо до високоволтови електропроводи.** Това може да доведе до неизправност или повреда на инструмента или акумулаторната батерия.
18. **Пазете батерията от деца.**

## ЗАПАЗЕТЕ НАСТОЯЩИТЕ ИНСТРУКЦИИ.

**⚠ВНИМАНИЕ:** Използвайте само оригинални акумулаторни батерии на Makita. При използване на различни от акумулаторните батерии на Makita или стари акумулаторни батерии може да се получи пръскане на акумулаторната батерия, което да доведе до пожар, нараняване или повреда. Това също ще анулира гаранцията на Makita за инструмента и зарядното устройство Makita.

## Съвети за поддържане на максимално дълъг живот на акумулаторните батерии

1. **Зареждайте акумулаторните батерии, преди те да са се разредили напълно. Когато забележите, че мощността на инструмента намалява, винаги спирайте работата с инструмента и заредете акумулаторната батерия.**
2. **Никога не презареждайте напълно заредена акумулаторна батерия. Презарядът скъсява експлоатационния живот на батерията.**
3. **Зареждайте акумулаторната батерия при стайна температура от 10 °C – 40 °C (50 °F – 104 °F). Оставете загретите акумулаторни батерии да се охладят, преди да ги зареждате.**
4. **Когато не използвате акумулаторната батерия, извадете я от инструмента или зарядното устройство.**
5. **Заредете акумулаторната батерия, ако не сте го използвали дълъг период от време (повече от шест месеца).**

# ОПИСАНИЕ НА ФУНКЦИИТЕ

**⚠ ВНИМАНИЕ:** Винаги проверявайте дали инструментът е изключен и касетата с акумулаторната батерия е извадена, преди да регулирате или проверявате дадена функция на инструмента.

## Поставяне и изваждане на акумулаторната батерия

**⚠ ВНИМАНИЕ:** Винаги изключвайте инструмента преди поставяне или изваждане на акумулаторната батерия.

**⚠ ВНИМАНИЕ:** Когато инсталирате или изваждате акумулаторната батерия, дръжте здраво инструмента и акумулаторната батерия. Ако не държите здраво инструмента и акумулаторната батерия, те могат да се изплъзнат от ръцете ви и да доведат до повреждане на инструмента и акумулаторната батерия или нараняване.

- **Фиг.1:** 1. Червен индикатор 2. Бутон  
3. Акумулаторна батерия

За да извадите акумулаторната батерия, я плъзнете извън инструмента, плъзгайки същевременно бутон в предната част на акумулаторната батерия.

За да поставите акумулаторната батерия, изравнете езичето на акумулаторната батерия с жлеба в корпуса и го плъзнете на мястото му. Вмъкнете го докрай, докато ключалката го задържи на място с малко прищракване. В случай че виждате червения индикатор в горната част на бутон, това означава, че тя не е фиксирана напълно на мястото си.

**⚠ ВНИМАНИЕ:** Винаги вмъквайте акумулаторната батерия докрай, така че червеният индикатор да се скрие. В противен случай тя може неволно да изпадне от инструмента, което може да нарани вас или някого около вас.

**⚠ ВНИМАНИЕ:** Не инсталирайте акумулаторната батерия със сила. Ако батерията не се движи свободно, тя не е била поставена правилно.

## Система за защита на инструмента / акумулаторната батерия

Инструментът е оборудван със система за защита на инструмента/акумулаторната батерия. Тази система автоматично прекъсва захранването, за да осигури по-дълъг живот на инструмента и акумулаторната батерия. Инструментът ще спре автоматично по време на работа, ако инструментът или батерията се намират в едно от следните условия:

## Защита срещу претоварване

Тази защита действа, когато инструментът се използва по начин, който налага използването на прекалено много ток. В такъв случай изключете инструмента и прекратете му по начина, който го претоварва. След това включете инструмента за повторно стартиране.

## Защита срещу прегряване

Ако инструментът прегрее, той автоматично спира да работи и лампата започва да мига. При това положение оставете инструмента и батерията да се охладят, преди да включите инструмента отново.

## Защита срещу прекомерно разреждане

Тази защита действа, когато оставащият капацитет на акумулаторната батерия намалее. В този случай извадете батерията от инструмента и я заредете.

## Индикация на оставащия капацитет на акумулаторната батерия

**Само за акумулаторни батерии с индикатор**

- **Фиг.2:** 1. Светлинни индикатори 2. Бутон за проверка

Натиснете бутон за проверка на акумулаторната батерия за показване на оставащия заряд на батерията. Светлинните индикатори ще светнат за няколко секунди.

Светлинни индикатори			Оставащ заряд на батерията
Свети	Изкл.	Мига	
			75% до 100%
			50% до 75%
			25% до 50%
			0% до 25%
			Заредете батерията.
			Батерията може да не работи правилно.

**ЗАБЕЛЕЖКА:** В зависимост от условията на употреба и околната температура е възможно показанията леко да се различават от действителния капацитет.

**ЗАБЕЛЕЖКА:** Първият (краен ляв) светлинен индикатор ще мига, когато системата за защита на батерията функционира.

## Включване


**⚠ВНИМАНИЕ:** Преди да поставите акумулаторната батерия в инструмента, винаги проверявайте дали лостът на прекъсвача се задейства нормално и се връща в положение "OFF" (Изкл.) при отпускането му.


За да включите инструмента, просто издърпайте лоста на прекъсвача. Оборотите на инструмента се увеличават с увеличаването на натиска върху лоста на прекъсвача. Отпуснете лоста на прекъсвача за спиране.

► **Фиг.3:** 1. Лост на прекъсвача


**ЗАБЕЛЕЖКА:** Инструментът ще спре автоматично, ако задържите натиснат пусковия прекъсвач за около 1 минута.

За предотвратяване на неволно натискане на лоста на прекъсвача е предвиден блокиращ лост.

Когато блокиращият лост е в блокирано положение , лостът на прекъсвача не може да бъде задействан.

Когато блокиращият лост е в отключено положение , лостът на прекъсвача може да бъде задействан.

► **Фиг.4:** 1. Блокиращ лост 2. Блокирано положение 3. Отключено положение

**⚠ВНИМАНИЕ:** Когато не работите с инструмента, винаги плъзгайте блокиращия лост в блокирано положение .

## Включване на предната лампичка

**⚠ВНИМАНИЕ:** Не гледайте директно в светлинния източник.

Издърпайте лоста на прекъсвача за включване на лампата. Лампата продължава да свети, докато е издърпан лостът на прекъсвача. Светлината изгасва автоматично приблизително 10 секунди след освобождаване на лоста на прекъсвача.

► **Фиг.5:** 1. Лост на прекъсвача 2. Лампа

**БЕЛЕЖКА:** Когато инструментът е прегрял, лампата мига. Охладете инструмента напълно, преди отново да го използвате.

**БЕЛЕЖКА:** Използвайте суха кърпа, за да изчистите полепналата по лупата на лампата мръсотия. Внимавайте да не надраскате лупата на лампата, тъй като това ще влоши осветяването.

## Действие на лоста за промяна на посоката

**⚠ВНИМАНИЕ:** Винаги проверявайте посоката на въртене преди работа.

**⚠ВНИМАНИЕ:** Използвайте лоста за промяна на посоката на въртене само когато инструментът е напълно спрял. Промяна на посоката на въртене преди спиране на инструмента може да го повреди.

Инструментът е снабден с лост за промяна на посоката на въртене. Завъртете лоста за промяна на посоката на въртене в положение A за въртене по посока на часовниковата стрелка или в положение B за въртене обратно на часовниковата стрелка. Уверете се, че лостът за промяна на посоката на въртене е завъртян докрай с изшракване.

► **Фиг.6:** 1. Лост за промяна на посоката

## СГЛОБЯВАНЕ

**⚠ВНИМАНИЕ:** Преди да извършите никакви дейности по инструмента, задължително проверете дали той е изключен и акумулаторната батерия е извадена.

## Монтаж или демонтаж на адаптера за вложки

За да монтирате адаптера за вложки, натиснете го в отвора за адаптера, докато се фиксира на място.

► **Фиг.7:** 1. Адаптер за вложки 2. Отвор за адаптер

За да свалите адаптера за вложки, вкарайте лост, като например отвертка, в задната част на адаптера за вложки и след това леко я докоснете.

► **Фиг.8:** 1. Адаптер за вложки 2. Отвертка

**БЕЛЕЖКА:** По време на процедурата за сваляне дръжте адаптера за вложки, за да не падне от инструмента.

## Монтаж или демонтаж на вложка

**⚠ВНИМАНИЕ:** Преди да започнете работа, се уверете, че вложката е фиксирана правилно върху адаптера за вложки. Непълното прикачване на вложката може да предизвика нараняване.

**БЕЛЕЖКА:** Винаги използвайте вложка с правилния размер за болт/гайка. Използване на вложка с неправилен размер ще доведе до неправилен момент на затягане и/или повреда на болта/гайката.

За да монтирате вложката, натиснете я върху адаптера за вложки, докато се фиксира на място. За да демонтирате вложката, е необходимо само да я издърпате.

► **Фиг.9:** 1. Вложка 2. Адаптер за вложки

## Експлоатация

**⚠ ВНИМАНИЕ:** Дръжте инструмента здраво, особено когато болтът/гайката достигне крайно положение. Вложката спира да се върти и електромоторът генерира незабавно обратно движение, за да завърти инструмента.

**БЕЛЕЖКА:** Дръжте инструмента насочен право към болта/гайката.

Дръжте инструмента здраво и поставете вложката върху болта/гайката. Включете инструмента и затегнете. Когато болтът/гайката достигне крайно положение, инструментът спира автоматично.

► Фиг.10

Инструментът работи и без вложка. Отворът за адаптера може да затегне болт/гайка M8 (5/16"). (действа като вложка 13 мм)

► Фиг.11

## Използване като ръчен инструмент

Можете да използвате инструмента като ръчна тресчотка, като въртите инструмента по посока на стрелките, както е показано на илюстрацията. По-специално, когато разхлабвате затегнат болт/гайка, първо го/я разхлабете ръчно и след това включете инструмента.

► Фиг.12

**БЕЛЕЖКА:** Прекомерен момент на затягане може да повреди болта/гайката, вложката или инструмента.

## ПОДДРЪЖКА

**⚠ ВНИМАНИЕ:** Преди да проверявате или извършвате поддръжка на инструмента, се уверете, че той е изключен и акумулаторната батерия е извадена.

**БЕЛЕЖКА:** Не използвайте бензин, нафта, разределител, спирт и др. подобни. Това може да причини обезцветяване, деформация или пукнатини.

За да се поддържа БЕЗОПАСНОСТТА и НАДЕЖНОСТТА на продукта, ремонтите, поддръжката или регулирането трябва да се извършват от упълномощен сервиз или фабрични сервизни центрове на Makita, като винаги трябва да използвате резервни части от Makita.

## ДОПЪЛНИТЕЛНИ АКСЕСОАРИ

**⚠ ВНИМАНИЕ:** Препоръчва се използването на тези аксесоари или крайници с вашия инструмент Makita, описан в настоящото ръководство. Използването на други аксесоари или крайници може да доведе до опасност от телесни повреди. Използвайте съответния аксесоар или крайник само по предназначение.

Ако имате нужда от помощ за повече подробности относно тези аксесоари, се обърнете към местния сервизен център на Makita.

- Вложка
- Адаптер за вложки
- Оригинална акумулаторна батерия и зарядно устройство на Makita

**ЗАБЕЛЕЖКА:** Някои артикули от списъка може да са включени в комплекта на инструмента, като стандартни аксесоари. Те може да са различни в различните държави.



## SPECIFIKACIJE

<b>Model:</b>		<b>DWR180</b>
Kapaciteti pričvršćivanja (s ručnim ponovnim zatezanjem)	Standardni vijak	M5 - M12
	Vijak velike vlačne čvrstoće	M5 - M10
Spoj s četvrtastim završetkom		6,35 mm, 9,5 mm
Brzina bez opterećenja		0 - 800 min <sup>-1</sup>
Maksimalni zatezni moment		47,5 N·m
Ukupna dužina		369 mm
Nazivni napon		DC 18 V
Neto težina		1,2 - 1,6 kg

- Zahvaljujući našem stalnom programu razvoja i istraživanja, navedene specifikacije podložne su promjenama bez obavijesti.
- Specifikacije i baterije mogu se razlikovati među državama.
- Težina se može razlikovati ovisno o opremi, uključujući baterijski uložak. Najlakša i najteža kombinacija, sukladno postupku EPTA 01/2014, prikazane su u nastavku.

## Odgovarajući baterijski uložak i punjač

Baterija	BL1815N / BL1820B / BL1830B / BL1840B / BL1850B / BL1860B
Punjač	DC18RC / DC18RD / DC18RE / DC18SD / DC18SE / DC18SF / DC18SH

- Neki od navedenih baterijskih uložaka i punjača možda neće biti dostupni ovisno o regiji u kojoj se nalazite.

**⚠ UPOZORENJE:** Upotrebite samo navedene baterijske uloške i punjače. Upotreba bilo koje druge vrste baterijskih uložaka i punjača može prouzročiti ozljede i/ili požar.

## Namjena

Alat je namijenjen za stezanje matica i vijaka.

## Buka

Tipična jačina buke označena s A, određena sukladno EN62841-2-2:

Razina tlaka zvuka ( $L_{pA}$ ): 74 dB (A)

Neodređenost (K): 3 dB (A)

Razina buke u radu može prelaziti 80 dB (A).

**NAPOMENA:** Deklarirana vrijednost emisije buke izmjerena je prema standardnoj metodi testiranja i može se rabiti za usporedbu jednog alata s drugim.

**NAPOMENA:** Deklarirana vrijednost emisije buke također se može rabiti za preliminarnu procjenu izloženosti.

**⚠ UPOZORENJE:** Nosite zaštitu za uši.

**⚠ UPOZORENJE:** Emisija buke tijekom stvarnog korištenja električnog ručnog alata se može razlikovati od deklariranih vrijednosti emisije, ovisno o načinu na koji se alat rabi, posebice ovisno o tome kakav se izradak izrađuje.

**⚠ UPOZORENJE:** Nemojte zaboraviti da identificate sigurnosne mjere zaštite rukovatelja koje se temelje na procjeni izloženosti u stvarnim uvjetima korištenja (uzimajući u obzir sve dijelove radnog ciklusa, poput vremena kada je alat isključen i kada on radi u praznom hodu, a također i vrijeme okidanja).

## Vibracija

Ukupna vrijednost vibracija (troosni vektorski zbir) izračunata u skladu s EN62841-2-2:

Način rada: pričvršćivanje

Emisija vibracija ( $a_{h1}$ ): 2,5 m/s<sup>2</sup>

Neodređenost (K): 1,5 m/s<sup>2</sup>

**NAPOMENA:** Deklarirana vrijednost ukupnih vibracija izmjerena je prema standardnoj metodi testiranja i može se rabiti za usporedbu jednog alata s drugim.

**NAPOMENA:** Deklarirana vrijednost ukupnih vibracija također se može rabiti za preliminarnu procjenu izloženosti.

**⚠ UPOZORENJE:** Emisija vibracija tijekom stvarnog korištenja električnog ručnog alata se može razlikovati od deklariranih vrijednosti emisije, ovisno o načinu na koji se alat rabi, posebice ovisno o tome kakav se izradak izrađuje.

**⚠ UPOZORENJE:** Nemojte zaboraviti da identificate sigurnosne mjere zaštite rukovatelja koje se temelje na procjeni izloženosti u stvarnim uvjetima korištenja (uzimajući u obzir sve dijelove radnog ciklusa, poput vremena kada je alat isključen i kada on radi u praznom hodu, a također i vrijeme okidanja).

## Izjava o sukladnosti EZ

**Samo za države članice Europske unije**

Izjava o sukladnosti EZ u prilogu je Priloga A ovih uputa za upotrebu.

# SIGURNOSNA UPOZORENJA

## Opća sigurnosna upozorenja za električne ručne alate

**▲ UPOZORENJE:** Pročitajte sva sigurnosna upozorenja, upute, ilustracije i specifikacije priložene uz ovaj električni ručni alat. Nepridržavanje svih uputa navedenih u nastavku može rezultirati strujnim udarom, požarom i/ili ozbiljnim ozljedama.

## Sačuvajte sva upozorenja i upute radi kasnijeg korištenja.

Pojam „električni alat“ u upozorenjima odnosi se na električni (kabelski) alat uključen u struju ili na bežične električne alate (na baterije).

## Sigurnosna upozorenja za bežični nasadni kliču

1. **Držite električni alat za izolirane rukohvatne površine kada izvodite operaciju pri kojoj stezač može doći u dodir sa skrivenim vodičima.** Stezači koji dođu u dodir s vodičem pod naponom mogu dovesti pod napon izložene metalne dijelove električnog alata i rukovatelj može pretrpjeti električni udar.
2. **Čvrsto držite alat.**
3. **Uvijek stojte na čvrstom uporištu.** Pazite da nitko ne stoji ispod vas kad koristite uređaj na visini.
4. **Nosite zaštitu za uši.**
5. **Prije instalacije nasadnog nastavka dobro provjerite je li istrošen te ima li napuknuća ili oštećenja.**
6. **Držite ruke podalje od dijelova koji se okreću.**
7. **Nemojte dirati račnu glavu, nasadni nastavak, vijak, maticu ili izradak odmah nakon dugotrajnog rada.** Mogu biti jako vrući i postojí opasnost od opekotina.

## ČUVAJTE OVE UPUTE.

**▲ UPOZORENJE: NEMOJTE** dozvoliti da udobnost ili znanje o proizvodu (stečeno stalnim korištenjem) zamijene strogo pridržavanje sigurnosnih propisa za određeni proizvod.

**ZLOUPORABA** ili nepridržavanje sigurnosnih propisa navedenih u ovom priručniku s uputama mogu prouzročiti ozbiljne ozljede.

## Važne sigurnosne upute za bateriju

1. **Prije uporabe baterije pročitajte sve upute i oznake upozorenja na (1) punjaču za baterije, (2) bateriji i (3) proizvodu koji koristi bateriju.**
2. **Nemojte rastavljati ili izmjenjivati baterijski uložak.** To može dovesti do požara, pretjeranog zagrijavanja ili eksplozije.
3. **Ako se vrijeme rada znatno skratilo, odmah prestanite raditi.** Može doći do pregrijavanja, mogućih opekline pa čak i eksplozije.
4. **Ako vam elektrolit dospje u oči, isperite ih čistom vodom i odmah se obratite liječniku.** Tako možete izgubiti vid.

5. **Nemojte kratko spojati bateriju:**
  - (1) **Ne dovodite terminale u kontakt s provodljivim materijalima.**
  - (2) **Ne čuvajte bateriju u spremniku s drugim metalnim predmetima poput čavala, kovanica itd.**
  - (3) **Ne izlažite bateriju vodi ili kiši.** Kratki spoj baterije može uzrokovati velik protok struje, pregrijavanje, moguće opekline pa čak i kvar.
6. **Ne držite i ne upotrebljavajte alat i baterijski uložak na mjestima gdje temperatura može premašiti 50 °C (122 °F).**
7. **Ne spaljujte bateriju čak ni ako je ozbiljno oštećena ili potpuno istrošena.** Baterija može eksplodirati u vatri.
8. **Nemojte zabijati čavle u baterijski uložak, rezati ga, gnječiti, bacati ili udarati tvrdim predmetom.** Ti postupci mogu dovesti do požara, pretjeranog zagrijavanja ili eksplozije.
9. **Ne koristite oštećene baterije.**
10. **Sadržane litij-ionske baterije podliježu odredbama zakonskih propisa o opasnim tvarima.** Kada se radi o komercijalnom transportu koji obavljaju npr. dobavljači ili špediteri, moraju se poštovati posebni zahtjevi na pakiranju i oznakama. Prilikom pripreme isporuke takve stavke potražite savjet stručnjaka za opasne tvari. Pogledajte i moguće podrobnije nacionalne propise. Prekrijite trakom ili zaštitite otvorene kontakte i bateriju zapakirajte tako da se ne može pomicati u pakiranju.
11. **Kada odlažete baterijski uložak u otpad, uklonite ga iz alata i zbrinite na sigurnom mjestu.** Pridržavajte se lokalnih zakonskih propisa za zbrinjavanje baterija.
12. **Upotrebljavajte baterije samo s proizvodima koje je odobrila tvrtka Makita.** Umetanje baterija u neprikladne proizvode može dovesti do požara, prekomjerne topline, eksplozije ili curenja elektrolita.
13. **Ako se alat ne upotrebljava dulje vrijeme, bateriju morate ukloniti iz alata.**
14. **Tijekom i nakon upotrebe baterijski uložak može se zagrijati i prouzročiti opekline višeg ili nižeg stupnja.** Pažljivo rukujte vrućim baterijskim ulošcima.
15. **Nemojte dirati priključak alata neposredno nakon upotrebe jer se može zagrijati toliko da prouzroči opekline.**
16. **Ne dopustite da krhotine, prašina ili zemlja zapnu u priključcima, otvorima i urezima baterijskog uloška.** To može dovesti do neispravnog rada ili kvara alata ili baterijskog uloška.
17. **Ako alat ne podržava upotrebu u blizini visokonaponskih električnih vodova, nemojte upotrebljavati baterijski uložak u blizini visokonaponskih električnih vodova.** To može dovesti do neispravnog rada ili kvara alata ili baterijskog uloška.
18. **Bateriju čuvajte podalje od djece.**

## ČUVAJTE OVE UPUTE.

**▲ OPREZ:** Uvijek upotrebljavajte originalne baterije Makita. Upotreba baterija koje nisu originalne baterije Makita ili su izmijenjene može dovesti do rasprskavanja baterije i uzrokovati požar, tjelesnu ozljedu ili štetu. To će također poništiti jamstvo tvrtke Makita za alat i punjač Makita.

## Savjeti za održavanje najduljeg vijeka trajanja baterije

1. **Napunite bateriju prije nego što se potpuno isprazni. Uvijek zaustavite alat i napunite bateriju kad primijetite da alat slabije radi.**
2. **Nikad ne puniti već do kraja napunjenu bateriju. Pretjerano punjenje skraćuje radni vijek baterije.**
3. **Bateriju puniti na sobnoj temperaturi između 10 °C i 40 °C. Vruću bateriju prije punjenja ostavite da se ohladi.**
4. **Kada ne upotrebljavate baterijski uložak, uklonite ga iz alata ili punjača.**
5. **Napunite bateriju ako je ne mislite koristiti duže vrijeme (duže od 6 mjeseci).**

## FUNKCIONALNI OPIS

**⚠ OPREZ:** Prije podešavanja ili provjere rada alata obavezno provjerite je li stroj isključen i baterija uklonjena.

### Umetanje ili uklanjanje baterije

**⚠ OPREZ:** Uvijek isključite alat prije umetanja ili uklanjanja baterije.

**⚠ OPREZ:** Čvrsto držite alat i bateriju pri umetanju ili uklanjanju baterije. Ako alat i bateriju ne držite čvrsto, mogli bi vam iskliznuti iz ruku te oštetiti alat i bateriju ili uzrokovati osobnu ozljedu.

► **SI.1:** 1. Crvena oznaka 2. Gumb 3. Baterija

Za uklanjanje bateriju gurnite van iz alata pritiskom gumba na prednjoj strani uložka.

Za umetanje baterijskog uložka poravnajte jezičac na baterijskom uložku s uutorom na kućištu i gurnite ga na mjesto. Umetnite baterijski uložak do kraja dok ne sjedne na svoje mjesto uz mali klik. Ako možete vidjeti crvenu oznaku na gornjoj strani gumba, baterijski uložak nije do kraja sjeo na svoje mjesto.

**⚠ OPREZ:** Uvijek umetnite baterijski uložak do kraja tako da ne možete vidjeti crvenu oznaku. U suprotnom može slučajno ispasti iz alata, što može dovesti do ozljede vas ili nekog u blizini.

**⚠ OPREZ:** Ne umećite bateriju silom. Ako baterija ne klizne lagano, znači da nije ispravno umetnuta.

### Sustav zaštite alata/baterije

Ovaj alat sadrži sustav zaštite alata/baterije. Sustav automatski prekida napajanje da bi produžio radni vijek alata i baterije. Alat automatski prestaje raditi ako se alat ili baterija nađu u nekom od sljedećih uvjeta:

### Zaštita od preopterećenja

Ta zaštita funkcionira kad se alatom upravlja na način koji dovodi do neuobičajeno velike potrošnje struje. U tom slučaju isključite alat i prestanite ga upotrebljavati na način koji je izazvao preopterećenje. Zatim uključite alat kako biste ga ponovno pokrenuli.

### Zaštita od pregrijavanja

U slučaju pregrijavanja alata, on se automatski zaustavlja i žaruljica počinje treperiti. U tom slučaju pričekajte da se alat ili baterija ohladi prije nego što ponovno pokrenete alat.

### Zaštita od prekomjernog pražnjenja

Ta zaštita funkcionira kad se smanji preostali kapacitet baterije. U tom slučaju izvadite bateriju iz alata i napunite je.

### Prikaz preostalog kapaciteta baterije

**Samo za baterijske uloške s indikatorom**

► **SI.2:** 1. Žaruljice indikatora 2. Gumb za provjeru

Pritisnite gumb za provjeru na bateriji kako biste provjerili preostali kapacitet baterije. Žaruljica indikatora zasvijetlit će na nekoliko sekundi.

Žaruljice indikatora			Preostali kapacitet
■ Svijetli	□ Isključeno	▬ Treperi	
■ ■ ■ ■			75 % do 100 %
■ ■ ■ □			50 % do 75 %
■ ■ □ □			25 % do 50 %
■ □ □ □			0 % do 25 %
▬ □ □ □			Napunite bateriju.
■ ■ □ □		↑ ↓	Baterija je možda neispravna.
□ □ ■ ■			

**NAPOMENA:** Ovisno o uvjetima upotrebe i temperaturi okoline, prikaz indikatora može se donekle razlikovati od stvarnog kapaciteta.

**NAPOMENA:** Prva (krajnja lijeva) žaruljica indikatora treperit će dok radi sustav za zaštitu baterije.

### Uključivanje i isključivanje


**⚠ OPREZ:** Prije postavljanja baterije u alat provjerite radi li ručica prekidača i vraća li se u položaj za isključivanje „OFF” nakon otpuštanja.


Za pokretanje alata jednostavno povucite ručicu prekidača. Brzina alata povećava se povećanjem pritiska na ručicu prekidača. Za isključivanje otpustite ručicu prekidača.

► **SI.3:** 1. Ručica prekidača

**NAPOMENA:** Alat se automatski zaustavlja ako povlačite uključno/isključnu sklopku oko 1 minute.

Da bi se spriječilo slučajno povlačenje uključno/isključne ručice, na alat je montirana i ručica za blokadu.

Kada je ručica za blokadu u blokiranom položaju , prekidač se ne može aktivirati.

Kada je ručica za blokadu u deblokiranom položaju , prekidač se može aktivirati.

► **SI.4:** 1. Ručica za blokadu 2. Blokada 3. Deblokada

**⚠ OPREZ:** Ako ne koristite alat, uvijek pomaknite ručicu za blokadu u blokirani položaj .

## Uključuje se prednja žaruljica

**⚠ OPREZ:** Nemojte izravno gledati u svjetlo ili izvor svjetlosti.

Povucite ručicu prekidača da bi se uključila žaruljica. Žaruljica ostaje uključena dok god se povlači ručica prekidača. Svjetlo se automatski gasi otprilike 10 sekundi nakon puštanja ručice prekidača.

► **SI.5:** 1. Ručica prekidača 2. Žaruljica

**NAPOMENA:** Kad se alat pregrije, žaruljica treperi. Pustite da se alat potpuno ohladi prije nego ga ponovno uključite.

**NAPOMENA:** Suhom krpom obrišite prljavštinu s leće žaruljice. Budite oprezni da ne zagrebete leću žaruljice jer to može smanjiti osvjetljenje.

## Rad ručice za promjenu smjera

**⚠ OPREZ:** Uvijek provjerite smjer vrtnje prije rada.

**⚠ OPREZ:** Koristite ručicu za promjenu smjera tek kad se alat do kraja zaustavi. Promjena smjera vrtnje prije zaustavljanja može oštetiti alat.

Ovaj alat ima ručicu za promjenu smjera vrtnje. Okrenite ručicu za promjenu smjera nastranu A za zakretanje u smjeru kazaljke na satu ili na stranu B u smjeru suprotnom kazaljci na satu. Provjerite je li ručica za promjenu smjera vrtnje do kraja okrenuta klikom.

► **SI.6:** 1. Ručica za promjenu smjera

## MONTAŽA

**⚠ OPREZ:** Prije izvođenja bilo kakve radnje na alatu obavezno provjerite je li stroj isključen i baterija uklonjena.

## Postavljanje ili uklanjanje prilagodnika za nasadni ključ

Za instalaciju prilagodnika za nasadni ključ, gurnute ga u otvor prilagodnika dok ne sjedne na svoje mjesto.

► **SI.7:** 1. Prilagodnik za nasadni ključ 2. Otvor prilagodnika

Za uklanjanje prilagodnika za nasadni ključ, umetnite ravni predmet kao što je odvijač u stražnju stranu prilagodnika za nasadni ključ, a zatim ga lagano pritisnite.

► **SI.8:** 1. Prilagodnik za nasadni ključ 2. Odvijač

**NAPOMENA:** Tijekom postupka uklanjanja, nastavite držati prilagodnik za nasadni ključ kako ne bi ispao iz alata.

## Postavljanje ili uklanjanje nasadnog ključa

**⚠ OPREZ:** Prije rada provjerite je li nasadni nastavak ispravno pričvršćen na prilagodnik za nasadni ključ. Nepotpuno pričvršćivanje nasadnog nastavka može prouzročiti ozljede.

**NAPOMENA:** Uvijek koristite ispravan nasadni nastavak za vijak/maticu. Nasadni nastavak neispravne veličine dovest će do nedosljednog zateznog momenta i/ili oštećenja vijka/matrice.

Za instalaciju nasadnog ključa, gurnute ga na prilagodnik za nasadni ključ dok ne sjedne na svoje mjesto. Za uklanjanje ga jednostavno povucite.

► **SI.9:** 1. Nasadni ključ 2. Prilagodnik za nasadni ključ

## RAD

**⚠ OPREZ:** Čvrsto držite alat., osobito kada vijak/matica sjednu na svoje mjesto. Nasadni ključ prestat će se okretati, a reakcijom motora generirat će se trenutačno usporavanje okretanja motora.

**NAPOMENA:** Držite alat usmjeren ravno prema vijku/matici.

Držite alat čvrsto i postavite nasadni nastavak preko vijka/matrice. Uključite alat i počnite pričvršćivati. Kada vijak/matica sjednu na svoje mjesto, alat se automatski zaustavlja.

► **SI.10**

Alat radi i bez nasadnog ključa. Otvor prilagodnika može pričvršćivati vijak/maticu M8 (5/16"). (funkcionira kao nasadni ključ od 13 mm)

► **SI.11**

## Korištenje kao ručni alat

Ovaj alat možete koristiti i kao ručni nasadni ključ okretanjem alata u smjeru strelica, kao što je prikazano. Osobito kada se radi o otpuštanju krutog vijka/matrice, prvo ih ručno otpustite, a zatim uključite alat.

► **SI.12**

**NAPOMENA:** Prekomjeran zatezni moment može oštetiti vijak/maticu, nasadni ključ ili alat.

## ODRŽAVANJE

**⚠ OPREZ:** Prije svih zahvata na stroju provjerite jeste li isključili stroj i uklonili bateriju.

**NAPOMENA:** Nikada nemojte koristiti benzin, mješavinu benzina, razrjeđivač, alkohol ili slično. Kao rezultat toga može se izgubiti boja, pojaviti deformacija ili pukotine.

Da biste zadržali SIGURNOST I POUZDANOST proizvoda, održavanje ili namještanja trebali biste prepustiti ovlaštenim servisnim ili tvorničkim centrima tvrtke Makita; uvijek rabite originalne rezervne dijelove.

## DODATNI PRIBOR

**⚠ OPREZ:** Ovaj dodatni pribor ili priključci preporučuju se samo za upotrebu s alatom Makita navedenim u ovom priručniku. Upotreba bilo kojeg drugog dodatnog pribora ili priključaka može prouzročiti ozljede. Upotrebjavajte dodatni pribor ili priključak samo za njegovu navedenu svrhu.

Ako vam je potrebna pomoć za više detalja u pogledu ovih dodatnih pribora, obratite se najbližem Makita servisnom centru.

- Nasadni ključ
- Prilagodnik za nasadni ključ
- Izvorna Makita baterija i punjač

**NAPOMENA:** Neke stavke iz popisa se mogu isporučiti zajedno sa strojem kao standardni dodatni pribori. Oni mogu biti različiti ovisno o zemlji.

## СПЕЦИФИКАЦИИ

<b>Модел:</b>		<b>DWR180</b>
Капацитети на стегање (со рачно достегање)	Стандардна завртка	M5 - M12
	Завртка со голема издржливост на затегнување	M5 - M10
Квадратен одвртувач		6,35 мм, 9,5 мм
Брзина без оптоварување		0 - 800 мин. <sup>-1</sup>
Максимален вртежен момент на стегање		47,5 N•m
Вкупна должина		369 мм
Номинален напон		D.C. 18 V
Нето тежина		1,2 - 1,6 кг

- Поради нашата континуирана програма за истражување и развој, спецификациите тука подлежат на промена без најава.
- Спецификациите и касетата за батеријата може да се разликуваат од држава до држава.
- Тежината може да се разликува во зависност од додатоците, вклучувајќи ја и касетата за батерија. Најлесната и најтешката комбинација, согласно процедурата на ЕПТА 01/2014 (Европската асоцијација за електрични алати), се прикажани во табелата.

### Применлива касета за батерија и полнач

Касета за батерија	BL1815N / BL1820B / BL1830B / BL1840B / BL1850B / BL1860B
Полнач	DC18RC / DC18RD / DC18RE / DC18SD / DC18SE / DC18SF / DC18SH

- Некои од касетите за батерии и полначите наведени погоре може да не се достапни зависно од регионот во кој живеете.

**▲ ПРЕДУПРЕДУВАЊЕ:** Користете ги само касетите за батерии и полначите наведени погоре. Користењето какви било поинакви касети за батерии и полначи може да создаде ризик од повреда и/или пожар.

### Наменета употреба

Алатот е наменет за работа со завртки и навртки.

### Бучава

Типична А-вредност за ниво на бучавата одредена во согласност со EN62841-2-2:

Ниво на звучниот притисок ( $L_{pA}$ ): 74 dB (A)

Отстапување (K): 3 dB (A)

Нивото на бучава при работа може да надмине 80 dB (A).

**НАПОМЕНА:** Номиналната вредност(и) за емисија на бучава е измерена во согласност со стандардни методи за испитување и може да се користи за споредување алати.

**НАПОМЕНА:** Номиналната вредност(и) за емисија на бучава може да се користи и како прелиминарна процена за изложеност.

**▲ ПРЕДУПРЕДУВАЊЕ:** Носете заштита за ушите.

**▲ ПРЕДУПРЕДУВАЊЕ:** Емисијата на бучава при фактичкото користење на алатот може да се разликува од номиналната вредност(и), зависно од начинот на којшто се користи алатот, особено од тоа како вид работен материјал се обработува.

**▲ ПРЕДУПРЕДУВАЊЕ:** Погрижете се да ги утврдите безбедносните мерки за заштита на лицето кое ракува со алатот врз основа на процена на изложеноста при фактичките услови на употреба (земајќи ги предвид сите делови на работниот циклус, како периодите кога електричниот алат е исклучен и кога работи во празен од, не само кога е активен).

### Вибрации

Вкупна вредност на вибрациите (векторска сума на три оски) одредена во согласност со EN62841-2-2:

Работен режим: стегање  
Ширење вибрации ( $a_h$ ): 2,5 m/c<sup>2</sup>  
Отстапување (K): 1,5 m/c<sup>2</sup>

**НАПОМЕНА:** Вкупната вредност(и) на номиналната јачина на вибрациите е измерена во согласност со стандардни методи за испитување и може да се користи за споредување алати.

**НАПОМЕНА:** Вкупната вредност(и) на номиналната јачина на вибрациите може да се користи и како прелиминарна процена за изложеност.

**▲ ПРЕДУПРЕДУВАЊЕ:** Јачината на вибрациите при фактичкото користење на алатот може да се разликува од номиналната вредност(и), зависно од начинот на којшто се користи алатот, особено од тоа како вид работен материјал се обработува.

**▲ ПРЕДУПРЕДУВАЊЕ:** Погрижете се да ги утврдите безбедносните мерки за заштита на лицето кое ракува со алатот врз основа на процена на изложеноста при фактичките услови на употреба (земајќи ги предвид сите делови на работниот циклус, како периодите кога електричниот алат е исклучен и кога работи во празен од, не само кога е активен).

## Декларација за сообразност од ЕУ

*Само за земјите во Европа*

Декларацијата за сообразност од ЕУ е вклучена во Додаток А од упатствата за корисникот.

## БЕЗБЕДНОСНИ ПРЕДУПРЕДУВАЊА

### Општи упатства за безбедност за електричните алати

**▲ ПРЕДУПРЕДУВАЊЕ:** Прочитајте ги сите безбедносни предупредувања, упатства, илустрации и спецификации дадени со електричниот алат. Ако не се почитуваат сите упатства наведени подолу, може да дојде до струен удар, пожар и/или сериозни повреди.

### Чувајте ги сите предупредувања и упатства за да може повторно да ги прочитате.

Под терминот „електричен алат“ во предупредувањата се мисли на вашиот електричен алат кој работи на струја (со кабел) или на батерии (безжично).

### Безбедносни предупредувања за безжичниот полуавтоматски клуч

1. Држете го алатот само за изолираните држачи кога вршете работи при кои затегнувачот може да дојде во допир со скриени жици. Затегнувачите што ќе допрат жица под напон можат да ја пренесат струјата до металните делови на алатот и да предизвикаат струен удар на операторот.
2. Цврсто држете го алатот.
3. Бидете сигурни дека секогаш стоите на цврста подлога. Уверете се дека под Вас нема никој кога го користите алатот на високи места.
4. Носете штитници за уши.
5. Пред да го монтирате приклучок за удар, внимателно проверете го да не е изабен, со пукнатини или оштетувања.
6. Не допирајте ги вртливите делови.

7. Не допирајте ги полуавтоматската глава, приклучокот за удар, завртката, навртката или работниот материјал по долготрајна работа. Тие може да бидат многу жешки и може да ви ја изгорат кожата.

## ЧУВАЈТЕ ГО УПАТСТВОТО.

**▲ ПРЕДУПРЕДУВАЊЕ:** НЕ ДОЗВОЛУВАЈТЕ удобноста или познавањето на производот (стекнати со подолга употреба) да ве наведат да не се придржувате строго до безбедносните правила за овој производ.

**ЗЛОУПОТРЕБАТА** или непочитувањето на безбедносните правила наведени во ова упатство може да предизвикаат тешка телесна повреда.

## Важни безбедносни упатства за касетата за батеријата

1. Пред користење на касетата за батеријата, прочитајте ги сите упатства и ознаки за претпазливост на (1) полначот за батеријата, (2) батеријата и (3) производот што ја користи батеријата.
2. Не расклопувајте ја, ниту експериментирајте со касетата за батеријата. Тоа може да резултира со оган, прекумерна топлина или експлозија.
3. Ако оперативното времето станало прекумерно кратко, престанете веднаш со работа. Тоа може да резултира со ризик од прегревање, можни изгореници, па дури и експлозија.
4. Ако електролит навлезе во вашите очи, измијте ги со чиста вода и побарајте медицинска нега веднаш. Тоа може да резултира со губење на вашиот вид.
5. Не предизвикувајте спој на касетата за батеријата.
  - (1) Не допирајте ги контактите со никаков проводлив материјал.
  - (2) Избегнувајте да ја чувате касетата за батерија во сад со други метални предмети како што се шајки, монети и сл.
  - (3) На изложувајте ја касетата за батеријата на вода или дожд.

Краткиот спој на батеријата може да предизвика голем проток на електрична енергија, прегревање, можни изгореници, па дури и пад на напојувањето.

6. Не складирајте и не користете ги алатот и касетата за батеријата на места каде што температурата може да достигне или надминува 50 °C (122 °F).
7. Не палете ја касетата за батеријата дури и кога е многу оштетена или целосно потрошена. Касетата за батеријата може да експлодира ако се стави во оган.
8. Не заковувајте ја, сечете ја, фрлајте ја, испуштајте ја касетата за батерија, ниту удирајте ја од тврд предмет касетата за батеријата. Таквото однесување може да резултира со оган, прекумерна топлина или експлозија.
9. Не користете оштетена батерија.
10. Содржаните батерии со литиумови јони се подложни на условите во Правилата за опасни предмети. За комерцијален транспорт на пр. од трети лица и посредници, мора да се следат посебните услови на пакувањата или ознаките.

При подготовка на предметот кој треба да се испрати, консултирајте се со експерт за опасни материјали. Исто така, следете ги потенцијално подеталните национални правила.

Залепете ги со леплива лента или маскирајте ги отворените контакти, а батеријата спакувајте ја, така што нема да се движи слободно во пакувањето.

11. Кога ја фрлате во отпад касетата за батеријата, извадете ја од алатот и фрлете ја на безбедно место. Почитувајте ги локалните законски прописи што се однесуваат на фрлање во отпад на батеријата.
12. Користете ги батериите само со производителите назначени од Makita. Монтирањето батерии на неусогласените производи може да резултира со пожар, прекумерна топлина, експлозија или истекување на електролитот.
13. Доколку алатот не се користи подолг временски период, батеријата мора да се извади од алатот.
14. Пред и по употребата, касетата за батеријата може да прими топлина што може да предизвика изгореници или изгореници од ниска температура. Внимавајте како ракувате со жешките касети за батерии.
15. Не допирајте го терминалот на алатот непосредно по употребата бидејќи може да се загрее доволно за да предизвика изгореници.
16. Не дозволувајте деланки, прав или земја да се заглават во терминалите, отворите и жлебовите на касетата за батерија. Тоа може да резултира со слаба изведба или пад на напојувањето на алатот или касетата за батерија.
17. Освен ако алатката не поддржува употреба на електричните далноводи со висок напон во близина, не користете ја касетата за батерија во близина на електричните далноводи со висок напон. Тоа може да резултира со дефект или пад на напојувањето на алатот или касетата за батерија.
18. Држете ја батеријата подалеку од деца.

## ЧУВАЈТЕ ГО УПАТСТВОТО.

**ВНИМАНИЕ:** Користете само оригинални батерии на Makita. Користењето неоригинални батерии на Makita или батерии што се изменети може да резултира со распукување на батеријата, предизвикувајќи пожар, телесна повреда и оштетување. Тоа исто така ќе ја поништи гаранцијата на Makita за алатот и полначот на Makita.

## Совети за одржување максимален работен век на батеријата

1. Заменете ја касетата за батеријата пред целосно да се испразни. Секогаш запирајте ја работата со алатот и заменете ја касетата за батеријата кога ќе забележите дека алатот дава помала моќност.
2. Никогаш немојте да полните целосно полна касета за батерија. Прекумерното полнење го скратува работниот век на батеријата.
3. Полнете ја касетата за батеријата на собна температура од 10°C - 40°C. Дозволете загреаната касета за батерија да се олади пред да ја ставите на полнење.
4. Кога не ја користите касетата за батерија, извадете ја алатот или полначот.
5. Полнете ја касетата за батеријата доколку не ја користите подолго време (повеќе од шест месеци).

## ОПИС НА ФУНКЦИЈЕ

**ВНИМАНИЕ:** Пред секое нагудување или проверка на алатот, проверувајте дали е исклучен и батеријата е извадена.

## Монтирање или отстранување на касетата за батеријата

**ВНИМАНИЕ:** Секогаш исклучувајте го алатот пред ставањето или вадењето на касетата за батеријата.

**ВНИМАНИЕ:** Држете ги алатот и касетата за батеријата цврсто кога ја монтирате или вадите касетата за батеријата. Ако не ги држите цврсто алатот и касетата за батеријата, тие може да се лизнат од вашите раце и да дојде до нивно оштетување, како и до телесна повреда.

► **Сл.1:** 1. Црвен индикатор 2. Копче 3. Касета за батерија

За да ја извадите касетата за батеријата, повлечете ја од алатот додека го лизгате копчето на предната страна на касетата.

За вметнување на касетата за батеријата, порамнете го јазичето на касетата со жлебот во куќиштето и лизнете го во место. Вметнете ја до крај додека не се блокира во место при што ќе се слушне мало кликнување. Ако можете да го видите црвениот индикатор на горната страна од копчето, тоа значи дека не е заклучена целосно во место.

**ВНИМАНИЕ:** Секогаш монтирајте ја касетата за батеријата целосно додека црвениот индикатор не се изгасне. Во спротивно, може ненадејно да испадне од алатот предизвикувајќи ви повреда вам или на некој друг околу вас.

**ВНИМАНИЕ:** Немојте да ја монтирате касетата за батеријата на сила. Ако касетата не може да се лизне лесно, тоа значи дека не е поставена правилно.

## Систем за заштита на алатот/ батеријата

Алатот е опремен со систем за заштита на алатот/ батеријата. Овој систем автоматски го прекинува напојувањето за да го продолжи работниот век на алатот и на батеријата. Алатот автоматски ќе се исклучи за време на работењето ако тој или батеријата се најдат под еден од следниве услови:

## Заштита од преоптоварување

Оваа заштита работи кога со алатот се ракува на начин што предизвикува тој да повлекува ненормално висока електрична енергија. Во таква ситуација, исклучете го алатот и запрете со примената што предизвикала негово преоптоварување. Потоа, повторно вклучете го алатот.



## Заштита од прегревање

Кога алатот е прегреан, тој автоматски ќе запре и ламбичката ќе почне трепка. Во оваа ситуација, оставете ги алатот и батеријата да се оладат пред повторно да го вклучите алатот.

## Заштита од прекумерно празнење








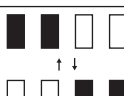
Оваа заштита работи кога преостанатиот капацитет на батеријата ќе дојде на ниско ниво. Во оваа ситуација, извадете ја батеријата од алатот и наполнете ја.

### Укажување на преостанатиот капацитет на батеријата

**Само за батерии со индикатор**

► **Сл.2:** 1. Индикаторски ламбички 2. Копче за проверка

Притиснете го копчето за проверка на касетата за батеријата за укажување на преостанатиот капацитет на батеријата. Индикаторските ламбички светнуваат неколку секунди.

Индикаторски ламбички			Преостанат капацитет
 Запалено	 Исклучено	 Трепка	
			75% до 100%
			50% до 75%
			25% до 50%
			0% до 25%
			Наполнете ја батеријата.
	 ↑ ↓ 		Батеријата можеби е неисправна.

**НАПОМЕНА:** Во зависност од условите на користење и амбиенталната температура, индикацијата може да се разликува во мала мера од реалниот капацитет.

**НАПОМЕНА:** Првата (најлево) ламбичка на индикаторот ќе трепка кога работи системот за заштита на батеријата.


## Вклучување


**ВНИМАНИЕ:** Секогаш пред да ја монтирате касетата на батеријата во алатот, проверувајте дали рачката на прекинувачот функционира исправно и се враќа во положбата „ИСКЛУЧЕНО“ кога ќе се отпушти.

За вклучување на алатот, едноставно повлечете ја рачката на прекинувачот. Брзината на алатот се зголемува со зголемување на притисокот на рачката на прекинувачот. За запирање, отпуштете ја рачката на прекинувачот.


► **Сл.3:** 1. Лост на прекинувачот

**НАПОМЕНА:** Алатот автоматски запира ако го држите прекинувачот за стартување повлечен околу 1 минута.

За да не дојде до случајно повлекување на лостот на прекинувачот, алатот има лост за блокирање. Кога лостот за блокирање е во блокирана положба , лостот на прекинувачот не може да се активира.

Кога лостот за блокирање е во неблокирана положба , лостот прекинувачот може да се активира.

► **Сл.4:** 1. Лост за блокирање 2. Блокирај 3. Деблокирај

**ВНИМАНИЕ:** Кога не работите со алатот, секогаш лизгајте го лостот за блокирање во блокирана положба .

## Вклучување на предната ламба

**ВНИМАНИЕ:** Не гледајте директно во светлината или во изворот на светлина.

Повлечете ја рачката на прекинувачот за вклучување на ламбата. Ламбата продолжува да свети додека се повлекува рачката на прекинувачот. Таа автоматски ќе се исклучи по приближно 10 секунди откако ќе се отпушти лостот на прекинувачот.

► **Сл.5:** 1. Рачка на прекинувач 2. Ламба

**ЗАБЕЛЕШКА:** Кога алатот е прегреан, ламбичката трепка. Оставете го алатот целосно да се излади пред повторно да работите со него.

**ЗАБЕЛЕШКА:** Користете сува крпа за да ја избришете нечистотијата од леќата на ламбата. Внимавајте да не ја изгребете леќата на ламбата затоа што тоа може да го намали осветлувањето.

## Работење со лостот за обратна акција

**ВНИМАНИЕ:** Секогаш проверувајте ја насоката на ротација пред работата.

**ВНИМАНИЕ:** Користете го лостот за обратна акција само откако алатот целосно ќе запре. Менувањето на насоката на ротација пред алатот целосно да запре може да го оштети алатот.

Овој алат има лост за обратна акција за менување на насоката на ротацијата. Свртите го лостот за обратна акција на страната А за ротација надесно или на страната В за ротација налево. Целосно вртете го лостот за обратна акција додека не кликне.

► **Сл.6:** 1. Лост за обратна акција

## СОСТАВУВАЊЕ

**⚠ ВНИМАНИЕ:** Пред секое дотерување или проверка на алатот, секогаш проверувајте дали е исклучен и батеријата е извадена.

### Монтирање или отстранување на адаптерот за насадникот

За да го монтирате адаптерот за насадникот, туркајте го во дупката за адаптер додека не се заглави.

► **Сл.7:** 1. Адаптер за насадник 2. Дупка за адаптер

За да го отстраните адаптерот за насадникот, вметнете прачка како шрафцигер во задниот дел од адаптерот за насадник, а потоа потчукнете го нежно.

► **Сл.8:** 1. Адаптер за насадник 2. Шрафцигер

**ЗАБЕЛЕШКА:** При отстранувањето, држете го адаптерот за насадникот цело време за да не испадне од алатот.

### Монтирање или отстранување на насадникот

**⚠ ВНИМАНИЕ:** Пред да го вклучите, осигурете се дека насадникот е правилно заклучен врз адаптерот за насадникот. Нецелосното прикачување на насадникот може да предизвика повреда.

**ЗАБЕЛЕШКА:** Секогаш користете насадник со правилна големина за завртка/навртка. Насадник со неправилна големина ќе предизвика непостојан вртен момент за стегање и/или оштетување на завртката/навртката.

За да го монтирате насадникот, туркајте го во адаптерот за насадникот додека не се заглави. За да го отстраните насадникот, едноставно извлечете го.

► **Сл.9:** 1. Насадник 2. Адаптер за насадник

## РАБОТЕЊЕ

**⚠ ВНИМАНИЕ:** Држете го алатот цврсто особено кога завртката/навртката ќе дојде во положба на лежиштето. Насадникот престанува да ротира и реакцијата на моторот создава инстантна повратна реакција за ротација на алатот.

**ЗАБЕЛЕШКА:** Држете го алатот насочен право кон завртката/навртката.

Цврсто држете го алатот и поставете го насадникот над завртката/навртката. Вклучете го алатот и стегајте. Кога завртката/навртката ќе дојде во положба на лежиштето, алатот сопира автоматски.

► **Сл.10**

Алатот функционира и без насадник. Дупката за адаптерот може да стегне М8 (5/16") завртка/навртка. (функционира како насадник од 13 мм)

► **Сл.11**

## Користење како рачен алат

Може да го користите алатот како рачен полуавтоматски клуч вртејќи го во насока на стрелките како што е прикажано. Особено кога одвртувате цврсто стегната завртка/навртка, прво ослабете ја со рака, па потоа вклучете го алатот.

► **Сл.12**

**ЗАБЕЛЕШКА:** Преголем вртежен момент за стегање може да ги оштети завртката/навртката, насадникот или алатот.

## ОДРЖУВАЊЕ

**⚠ ВНИМАНИЕ:** Пред секоја проверка или одржување, секогаш проверувајте дали алатот е исклучен и касетата за батеријата е извадена.

**ЗАБЕЛЕШКА:** За чистење, не користете нафта, бензин, разредувач, алкохол или слично. Тие средства ја вадат бојата и може да предизвикаат деформации или пукнатини.

За да се одржи БЕЗБЕДНОСТА и СИГУРНОСТА на производот, поправките, одржувањата или дотерувањата треба да се вршат во овластени сервисни или фабрички центри на Makita, секогаш со резервни делови од Makita.

## ОПЦИОНАЛЕН ПРИБОР

**⚠ ВНИМАНИЕ:** Овој прибор или додатоци се препорачуваат за користење со алатот од Makita дефиниран во упатството. Со користење друг прибор или додатоци може да се изложите на ризик од телесни повреди. Користете ги приборот и додатоците само за нивната назначена намена.

Ако ви треба помош за повеќе детали за приборот, прашајте во локалниот сервисен центар на Makita.

- Насадник
- Адаптер за насадник
- Оригинална батерија и полнач на Makita

**НАПОМЕНА:** Некои ставки на листата може да се вклучени со алатот како стандарден прибор. Тие може да се разликуваат од држава до држава.

## ТЕХНИЧКИ ПОДАЦИ

<b>Модел:</b>		<b>DWR180</b>
Капацитети притезања (са ручним дотезањем)	Стандардни завртањ	M5 – M12
	Завртањ високе затезне моћи	M5 – M10
Четвртасти завртањ		6,35 мм, 9,5 мм
Брзина без оптерећења		0 – 800 мин <sup>-1</sup>
Максимални момент притезања		47,5 Н•м
Укупна дужина		369 мм
Номинални напон		DC 18 V
Нето тежина		1,2 – 1,6 кг

- На основу нашег непрестаног истраживања и развоја задржавамо право измена наведених техничких података без претходне најаве.
- Технички подаци и уложак батерије могу да се разликују у различитим земљама.
- Тежина може да се разликује у зависности од наставака, укључујући и уложак батерије. Најлакша и најтежа комбинација, према процедури ЕПТА 01/2014, приказане су у табели.

### Применљив уложак батерије и пуњач

Уложак батерије	BL1815N / BL1820B / BL1830B / BL1840B / BL1850B / BL1860B
Пуњач	DC18RC / DC18RD / DC18RE / DC18SD / DC18SE / DC18SF / DC18SH

- Неки горенаведени улошци батерија и пуњачи можда неће бити доступни у зависности од места становања.

**▲УПОЗОРЕЊЕ:** Користите само горенаведене улошке батерије и пуњаче. Коришћење других уложака батерије и пуњача може узроковати повреде и/или пожар.

### Намена

Алат је намењен за причвршћивање завртања и навртки.

### Бука

Типичан А-пондерисани ниво буке одређен је према стандарду EN62841-2-2:

Ниво звучног притиска ( $L_{pA}$ ): 74 dB (A)

Несигурност (K): 3 dB (A)

Ниво буке током рада може да премаши 80 dB (A).

**НАПОМЕНА:** Декларисане вредности емисије буке су измерене према стандардизованом мерном поступку и могу се користити за упоређивање алата.

**НАПОМЕНА:** Декларисана вредност емисије буке се такође може користити за прелиминарну процену изложености.

**▲УПОЗОРЕЊЕ:** Носите заштитне слушалице.

**▲УПОЗОРЕЊЕ:** Емисије буке током стварне примене електричног алата могу се разликовати од декларисане вредности у зависности од начина на који се користи алат, а посебно која врста предмета се обрађује.

**▲УПОЗОРЕЊЕ:** Уверите се да сте идентификовали безбедносне мере за заштиту руковаоца које су засноване на процени изложености у стварним условима употребе (узимајући у обзир све делове радног циклуса, као што је време рада уређаја, али и време када је алат искључен и када ради у празном ходу).

### Вибрације

Укупна вредност вибрација (векторски збир по три осе) одређена је према стандарду EN62841-2-2:

Режим рада: притезање

Вредност емисије вибрација ( $a_n$ ): 2,5 m/c<sup>2</sup>

Несигурност (K): 1,5 m/c<sup>2</sup>

**НАПОМЕНА:** Декларисане укупне вредности вибрација су измерене према стандардизованом мерном поступку и могу се користити за упоређивање алата.

**НАПОМЕНА:** Декларисане укупне вредности вибрација се такође могу користити за прелиминарну процену изложености.

**▲УПОЗОРЕЊЕ:** Вредност емисије вибрација током стварне примене електричног алата може се разликовати од декларисане вредности у зависности од начина на који се користи алат, а посебно која врста предмета се обрађује.

**▲УПОЗОРЕЊЕ:** Уверите се да сте идентификовали безбедносне мере за заштиту руковаоца које су засноване на процени изложености у стварним условима употребе (узимајући у обзир све делове радног циклуса, као што је време рада уређаја, али и време када је алат искључен и када ради у празном ходу).

## ЕЗ декларација о усаглашености

Само за европске земље

ЕЗ декларација о усаглашености део је Додатка А у овом приручнику са упутствима.

## БЕЗБЕДНОСНА УПОЗОРЕЊА

### Општа безбедносна упозорења за електричне алате

**▲УПОЗОРЕЊЕ:** Прочитајте сва безбедносна упозорења, упутства, илустрације и спецификације које су испоручене уз овај електрични алат. Непоштовање свих доле наведених безбедносних упутстава може изазвати електрични удар, пожар и/или озбиљну повреду.

### Сачувајте сва упозорења и упутства за будуће потребе.

Термин „електрични алат“ у упозорењима односи се на електрични алат који се напаја из електричне мреже (каблом) или батерије (без кабла).

### Безбедносна упозорења за бежични кључ за завртње и навртке

1. Држите електрични алат за изоловане руковате када обављате радове при којима постоји могућност да причвршћивач додирне скривене водове. Причвршћивачи који додирну струјни кабл могу да ставе под напон изложене металне делове електричног алата и изложе руковаоца струјном удару.
2. Чврсто држите алат.
3. Побрините се да увек имате чврсто ослонац испод ногу. Уверите се да никога нема испод вас ако алат користите на високим местима.
4. Носите заштитне слушалице.
5. Пре инсталације прегледајте пажљиво да ударни наглавак није похабан, да не садржи пукотине или оштећења.
6. Држите руке даље од ротирајућих делова.

7. Немојте додиривати главу кључа, ударни наглавак, завртањ, навртку ни предмет рада одмах после завршетка рада. Могу да буду врели и да вас опеку.

## САЧУВАЈТЕ ОВО УПУТСТВО.

**▲УПОЗОРЕЊЕ:** НЕМОЈТЕ себи да дозволите да занемарите строга безбедносна правила која се односе на овај производ услед чињенице да сте производ добро упознали и стекли рутину у руковању њиме (услед честог коришћења).

НЕНАМЕНСКА УПОТРЕБА или непоштовање безбедносних правила наведених у овом упутству могу довести до тешких телесних повреда.

## Важна безбедносна упутства која се односе на уложак батерије

1. Пре употребе уложка батерије, прочитајте сва упутства и безбедносне ознаке на (1) пуњачу батерије, (2) батерији и (3) производу који користи батерију.
2. Не растављајте и не модификујте уложак батерије. Тиме можете да изазовете пожар, прекомерно загревање или експлозију.
3. Ако се време рада знатно скратило, одмах престаните са коришћењем. То може да доведе до ризика од прегревања, могућих опекотина, па чак и експлозије.
4. Ако електролит доспе у очи, исперите их чистом водом и одмах затражите помоћ лекара. То може да доведе до губитка вида.
5. Немојте да изазивате кратак спој уложка батерије:
  - (1) Немојте додиривати прикључке било којим проводним материјалом.
  - (2) Избегавајте складиштење уложка батерије у кутији са другим металним предметима као што ексери, новчићи итд.
  - (3) Немојте да излажете уложак батерије води или киши.

Кратак спој батерије може да доведе до великог протока струје, прегревања, могућих опекотина, па чак и прегоревана.

6. Немојте да складиштите и користите алат и уложак батерије на местима где температура може да достигне или премаше 50 °C (122 °F).
7. Немојте да палите уложак батерије чак ни када је озбиљно оштећен или потпуно похабан. Уложак батерије може да експлодира у ватри.
8. Немојте да закивате, сечете, ломите, бацате или испуштате уложак батерије, или да њиме ударате по чврстој површини. На тај начин можете да изазовете пожар, прекомерно загревање или експлозију.
9. Немојте да користите оштећену батерију.
10. Садржане литијум-јонске батерије подлежу Закону о превозу опасних материја. Приликом комерцијалног превоза, нпр. од стране трећих лица и превозника, мора се обратити посебна пажња на специјалне захтеве паковања и обележавања.

Приликом припреме материјала за превоз, потребно је саветовати се са стручњаком за опасне материје. Такође обратите пажњу на евентуалне даље националне прописе. Омотајте траком или прекријте отворене контакте и запакујте батерију тако да се не може померати унутар паковања.

11. Када одлажете уложак батерије на отпад, извадите га из алата и одложите на безбедно место. Придржавајте се локалних прописа у вези са одлагањем батерије.
12. Батерије користите само са производима које је навела компанија Makita. Постављање батерије на производе који нису усаглашени може да доведе до пожара, прекомерне топлоте, експлозије или цурења електролита.
13. Ако се алат не користи током дужег периода, батерија мора да се извади из алата.
14. Током и након коришћења, уложак батерије може да акумулира толико топлоте да то може довести до опекотина, уобичајених и нискотемпературних. Пажљиво рукујте врућим улошцима батерије.
15. Не додирујте контакте алата одмах након коришћења јер су можда толико врући да могу да изазову опекотине.
16. Водите рачуна да се струготина, прашина или земља не заглаве у контактима, рупицама и жлебовима улошка батерије. У супротном може доћи до лошег учинка или прегоривања алата или улошка батерије.
17. Осим ако алат то не подржава, немојте да користите уложак батерије близу високонапонских разводних линија електричне струје. У супротном може доћи до квара или прегоривања алата или улошка батерије.
18. Држите батерију ван домања деце.

## САЧУВАЈТЕ ОВО УПУТСТВО.

**ПАЖЊА:** Користите само оригиналне Makita батерије. Коришћење Makita батерија које нису оригиналне или батерија које су измењене може да доведе до пуцања батерије, које може да изазове пожар, телесне повреде или штету. То ће такође поништити гаранцију компаније Makita за Makita алат и пуњач.

## Савети за максимално трајање батерије

1. Напуните уложак батерије пре него што се потпуно испразни. Сваки пут прекините рад са алатом и напуните уложак батерије када приметите да је снага алата слабија.
2. Никада немојте да поново пуните потпуно напуњени уложак батерије. Препуњавање скраћује радни век батерије.
3. Пуните уложак батерије на собној температури између 10°C и 40°C (између 50°F и 104°F). Сачекајте да се врући уложак батерије охлади пре пуњења.
4. Када не користите уложак батерије, извадите га из алата или пуњача.
5. Напуните уложак батерије ако га нећете користити дуже време (више од шест месеци).

## ОПИС НАЧИНА ФУНКЦИОНИСАЊА

**ПАЖЊА:** Пре подешавања или провере функција алата увек проверите да ли је алат искључен и да ли је уложак батерије уклоњен.

### Постављање и уклањање улошка батерије

**ПАЖЊА:** Увек искључите алат пре постављања или уклањања улошка батерије.

**ПАЖЊА:** Држите чврсто алат и уложак батерије када постављате или уклањате уложак батерије. Ако алат и уложак батерије не будете држали чврсто, могу вам исклизнути из руку, оштетити се при паду и повредити вас.

► **Слика 1:** 1. Црвени индикатор 2. Дугме 3. Уложак батерије

Да бисте уклонили уложак батерије, клизањем га извучите из алата док клизањем померате дугме на предњој страни улошка.

Да бисте поставили уложак батерије, поравнајте језичак на њему са жлебом на кућишту и гурните га на место. Гурните га до краја тако да легне на своје место и чује се тихо шкљоцање. Ако можете да уочите црвени индикатор на горњој страни дугмета, то значи да уложак батерије није потпуно закључан.

**ПАЖЊА:** Увек до краја гурните уложак батерије тако да се црвени индикатор не види. У супротном, он случајно може испасти из алата и повредити вас или неку особу у вашој близини.

**ПАЖЊА:** Немојте на силу да постављате уложак батерије. Ако уложак не можете лако да гурнете, то значи да га не постављате исправно.

### Систем за заштиту алата/батерије

Алат је опремљен системом за заштиту алата/ батерије. Овај систем аутоматски прекида напајање како би продужио век трајања алата и батерије. Алат ће се аутоматски зауставити током рада ако алат или батерија уђу у једно од следећих стања:

### Заштита од преоптерећења

Ова заштита ради када се алатом рукује тако да вуче неуобичајено велику струју. У овој ситуацији, искључите алат и престаните са употребом која је довела до преоптерећења алата. Затим укључите алат да бисте га поново покренули.

### Заштита од прегревања

Када се прегреје, алат аутоматски престаје да ради и лампа почиње да трепери. У овом случају, пустите да се алат и батерија охладе пре поновног укључивања алата.

### Заштита од превеликог пражњења

Ова заштита ради када се смањи преостали капацитет батерије. У том случају, уклоните батерију из алата и напуните је.

## Приказ преосталог капацитета батерије

Само за улошке батерије са индикатором

► **Слика2:** 1. Индикаторске лампице 2. Дугме за проверу

Притисните дугме за проверу на улошку батерије да бисте приказали преостали капацитет батерије. Индикаторске лампице ће се укључити на неколико секунди.

Индикаторске лампице			Преостали капацитет
Светли	Искључено	Трепће	
			Од 75% до 100%
			Од 50% до 75%
			Од 25% до 50%
			Од 0% до 25%
			Напуните батерију.
			Могуће је да је батерија постала неисправна.

**НАПОМЕНА:** У зависности од услова коришћења и температуре околине, приказани капацитет може донекле да се разликује од стварног.

**НАПОМЕНА:** Прва (крајња лева) индикаторска лампица трепери када систем за заштиту батерије ради.

## Функционисање прекидача

**ПАЖЊА:** Пре убацавања улошка батерије у алат, увек проверите да ли се полуага прекидача правилно активира и да ли се враћа у положај „OFF“ (Искључено) пошто је пустите.

Да бисте активирали алат, једноставно притисните полуагу прекидача. Брзина алата се повећава повећавањем притиска на полуагу прекидача. Отпустите полуагу прекидача да бисте зауставили алат.

► **Слика3:** 1. Полуага прекидача

**НАПОМЕНА:** Алат аутоматски престаје са радом ако узастопно повлачите окидач прекидача око 1 минута.

Алат је опремљен полуагом за закључавање која спречава да случајно повучете полуагу прекидача. Када је полуага за закључавање у закључаном положају , полуага прекидача не може да се укључи. Када је полуага за закључавање у откључаном положају , полуага прекидача може да се укључи.

► **Слика4:** 1. Полуага за закључавање  
2. Закључавање 3. Откључавање

**ПАЖЊА:** Када не користите алат, увек повуците полуагу за закључавање у закључан положај .

## Укључивање предње лампе

**ПАЖЊА:** Немојте да гледате у лампу ни директно у извор светлости.

Повуците полуагу прекидача да бисте укључили лампу. Лампа ће наставити да светли док је полуага прекидача повучена. Лампа ће се аутоматски искључити за приближно 10 секунди након пуштања полуаге прекидача.

► **Слика5:** 1. Полуага прекидача 2. Светло

**ОБАВЕШТЕЊЕ:** Када се алат прегреје, лампица трепери. Сачекајте да се алат потпуно охлади пре него што наставите са радом.

**ОБАВЕШТЕЊЕ:** Сувом крпом обришите прљавштину са сочива лампе. Пазите да не огребете сочиво лампе, јер тако можете смањити осветљеност.

## Рад полуаге за окретање

**ПАЖЊА:** Увек проверите смер обртања пре рада.

**ПАЖЊА:** Користите полуагу за окретање тек након што се алат потпуно заустави. Промена смера обртања пре заустављања алата може оштетити алат.

Овај алат има полуагу за окретање која служи за промену смера обртања. Окрените полуагу за окретање на страну А за обртање надесно или на страну В за обртање налево.

Полуага за окретање је у потпуности окренута ако чујете звук да је налегла.

► **Слика6:** 1. Полуага за окретање

## СКЛАПАЊЕ

**ПАЖЊА:** Пре обављања било каквог посла на алату увек проверите да ли је он искључен и да ли је уложак батерије уклоњен.

## Постављање или скидање адаптера за наглавак

Да бисте поставили адаптер за наглавак, гурните га у отвор адаптера док се не забрави.

► **Слика7:** 1. Адаптер за наглавак 2. Отвор адаптера

Да бисте уклонили адаптер за наглавак, уметните алат као што је одвијач у задњи део адаптера за наглавак и затим га благо ударите.

► **Слика8:** 1. Адаптер за наглавак 2. Одвијач

**ОБАВЕШТЕЊЕ:** Током поступка уклањања, наставите да држите адаптер за наглавак да бисте спречили да падне са алата.

## Постављање или скидање наглавка

**⚠ ПАЗИЊА:** Пре рада поверите да ли је наглавак добро причвршћен на адаптеру за наглавак. Неправилно постављање наглавка може да изазове повреду.

**ОБАВЕШТЕЊЕ:** Увек користите исправну величину наглавка за завртањ/навртку. Употреба наглавка неодговарајуће величине довешће до непостојаног момента притезања и/или оштећења завртња/навртке.

Да бисте поставили наглавак, гурните га у адаптер за наглавак док се не забрави. Да бисте уклонили наглавак, једноставно га повуците.

► **Слика9:** 1. Наглавак 2. Адаптер за наглавак

## РАД

**⚠ ПАЗИЊА:** Чврсто држите алат, посебно када завртањ/навртка достигне положај налегања. Наглавак престаје да се ротира и мотор проузрокује нагло враћање алата.

**ОБАВЕШТЕЊЕ:** Држите алат уперен право у завртањ/навртку.

Чврсто држите алат и ставите наглавак преко завртња/навртке. Укључите алат и притегните завртањ/навртку. Када завртањ/навртка достигне положај налегања, алат се аутоматски зауставља.

► **Слика10**

Алат функционише и без наглавка. Отвор адаптера може да затегне завртањ/навртку М8 (5/16"). (ради као наглавак од 13 мм)

► **Слика11**

## Коришћење као ручног алата

Алат можете да користите као ручни кључ тако што ћете га окренути у смеру стрелице, као што је приказано. Посебно када одвијате пречврсто причвршћене завртње/навртке, отпустите их прво руком, а затим укључите алат.

► **Слика12**

**ОБАВЕШТЕЊЕ:** Прекомерни момент притезања може да оштети завртањ/навртку, наглавак или алат.

## ОДРЖАВАЊЕ

**⚠ ПАЗИЊА:** Пре него што почнете с прегледом или одржавањем алата, искључите алат и уклоните уложак батерије.

**ОБАВЕШТЕЊЕ:** Никад немојте да користите нафту, бензин, разређивач, алкохол и слична средства. Може доћи до губитка боје, деформације или оштећења.

БЕЗБЕДАН и ПОУЗДАН рад алата гарантујемо само ако поправке, свако друго одржавање или подешавање, препустите овлашћеном сервису компаније Makita или фабричком сервису, уз употребу оригиналних резервних делова компаније Makita.

## ОПЦИОНИ ПРИБОР

**⚠ ПАЗИЊА:** Ова опрема и прибор су предвиђени за употребу са алатом Makita описаним у овом упутству за употребу. Употреба друге опреме и прибора може да доведе до повреда. Користите делове прибора или опрему искључиво за предвиђену намену.

Да бисте добили више детаља у вези са овим прибором, обратите се локалном сервисном центру компаније Makita.

- Наглавак
- Адаптер за наглавак
- Makita оригинална батерија и пуњач

**НАПОМЕНА:** Поједине ставке на листи могу бити укључене у садржај паковања алата као стандардна опрема. Оне се могу разликовати од земље до земље.

## SPECIFICAȚII

<b>Model:</b>		<b>DWR180</b>
Capacități de strângere (cu strângere suplimentară manuală)	Bolț standard	M5 - M12
	Bolț de mare rezistență la tracțiune	M5 - M10
Cap de antrenare pătrat		6,35 mm, 9,5 mm
Turație în gol		0 - 800 min <sup>-1</sup>
Cuplu de strângere maxim		47,5 N·m
Lungime totală		369 mm
Tensiune nominală		18 V cc.
Greutate netă		1,2 - 1,6 kg

- Datorită programului nostru continuu de cercetare și dezvoltare, specificațiile pot fi modificate fără o notificare prealabilă.
- Specificațiile și cartușul acumulatorului pot diferi de la țară la țară.
- Greutatea poate diferi în funcție de accesoriu(ii), inclusiv cartușul acumulatorului. În tabel se prezintă combinația cea mai ușoară și cea mai grea, conform Procedurii EPTA 01/2014.

## Cartușul acumulatorului și încărcătorul aplicabile

Cartușul acumulatorului	BL1815N / BL1820B / BL1830B / BL1840B / BL1850B / BL1860B
Încărcător	DC18RC / DC18RD / DC18RE / DC18SD / DC18SE / DC18SF / DC18SH

- Este posibil ca unele cartușe ale acumulatorilor și încărcătoare menționate mai sus să nu fie disponibile în funcție de regiunea dvs. de reședință.

**⚠️ AVERTIZARE:** Utilizați numai cartușele de acumulator și încărcătoarele enumerate mai sus. Utilizarea oricăror altor cartușe de acumulator și încărcătoare poate duce la rănire și/sau incendiu.

## Destinația de utilizare

Mașina este destinată strângerii bolțurilor și piulițelor.

## Zgomot

Nivelul de zgomot normal ponderat A determinat în conformitate cu EN62841-2-2:

Nivel de presiune acustică ( $L_{pA}$ ): 74 dB(A)

Marjă de eroare (K): 3 dB(A)

Nivelul de zgomot în timpul funcționării poate depăși 80 dB (A).

**NOTĂ:** Valoarea (valorile) totală(e) a (ale) emisiilor de zgomot declarate a(u) fost măsurată(e) în conformitate cu o metodă de test standard și poate (pot) fi utilizată(e) pentru compararea unei unelte cu alta.

**NOTĂ:** Valoarea (valorile) totală(e) a (ale) emisiilor de zgomot declarate poate (pot) fi, de asemenea, utilizată(e) într-o evaluare preliminară a expunerii.

**⚠️ AVERTIZARE:** Purtați echipament de protecție pentru urechi.

**⚠️ AVERTIZARE:** Emisiile de zgomot în timpul utilizării efective a unelei electrice poate diferi de valoarea (valorile) nivelului declarat, în funcție de modul în care unealta este utilizată, în special ce fel de piesă este prelucrată.

**⚠️ AVERTIZARE:** Asigurați-vă că identificați măsurile de siguranță pentru a proteja operatorul, acestea fiind bazate pe o estimare a expunerii în condiții reale de operare, precum timpii în care unealta a fost oprită, sau a funcționat în gol, pe lângă timpul de declanșare).

## Vibrații

Valoarea totală a vibrațiilor (suma vectorilor tri-axialii) determinată conform EN62841-2-2:

Mod de lucru: strângere

Emisie de vibrații ( $a_{h1}$ ): 2,5 m/s<sup>2</sup>

Marjă de eroare (K): 1,5 m/s<sup>2</sup>

**NOTĂ:** Valoarea (valorile) totală(e) a (ale) nivelului de vibrații declarat a (au) fost măsurată(e) în conformitate cu o metodă de test standard și poate (pot) fi utilizată(e) pentru compararea unei unelte cu alta.

**NOTĂ:** Valoarea (valorile) totală(e) a (ale) nivelului de vibrații declarat poate (pot) fi, de asemenea, utilizată(e) într-o evaluare preliminară a expunerii.



**⚠️ AVERTIZARE:** Nivelul de vibrații în timpul utilizării efective a unelei electrice poate diferi de valoarea (valorile) nivelului declarat, în funcție de modul în care unealta este utilizată, în special ce fel de piesă este prelucrată.

**⚠️ AVERTIZARE:** Asigurați-vă că identificați măsurile de siguranță pentru a proteja operatorul, acestea fiind bazate pe o estimare a expunerii în condiții reale de utilizare (luând în considerare toate părțile ciclului de operare, precum timpii în care unealta a fost oprită, sau a funcționat în gol, pe lângă timpul de declanșare).

## Declarație de conformitate CE

### Numai pentru țările europene

Declarația de conformitate CE este inclusă ca Anexa A în acest manual de instrucțiuni.

## AVERTIZĂRI DE SIGURANȚĂ

### Avertismente generale de siguranță pentru mașinile electrice

**⚠️ AVERTIZARE:** Citiți toate avertismentele privind siguranța, instrucțiunile, ilustrațiile și specificațiile furnizate cu această sculă electrică. Nerespectarea integrală a instrucțiunilor de mai jos poate cauza electrocutări, incendii și/sau vătămări corporale grave.

## Păstrați toate avertismentele și instrucțiunile pentru consultări ulterioare.

Termenul „mașină electrică” din avertisări se referă la mașinile dumneavoastră electrice acționate de la rețea (prin cablu) sau cu acumulator (fără cablu).

## Avertisări privind siguranța pentru mașina de înșurubat cu clichet cu acumulator

1. **Țineți mașina electrică numai de suprafețele de apucare izolate atunci când executați o operație la care organul de asamblare poate intra în contact cu cabluri ascunse.** Contactul organelor de asamblare cu un cablu aflat sub tensiune poate pune sub tensiune piesele metalice expuse ale mașinii electrice, conducând la electrocutarea operatorului.
2. **Țineți bine mașina.**
3. **Păstrați-vă echilibrul. Asigurați-vă că nu se află nicio persoană dedesubt atunci când folosiți mașina la înălțime.**
4. **Purtați echipamente de protecție pentru urechi.**
5. **Verificați atent capul mașinii de înșurubat cu impact cu privire la uzură, fisuri sau deteriorări înainte de instalare.**
6. **Nu atingeți piesele în mișcare.**

7. **Nu atingeți capul cu roată cu clichet, mașina de înșurubat cu impact, bolțul, piulița sau piesa de prelucrat imediat după utilizare îndelungată.**  
Acestea pot fi extrem de fierbinți și vă pot arde pielea.

## PĂSTRAȚI ACESTE INSTRUCȚIUNI.

**⚠️ AVERTIZARE:** NU permiteți comodității și familiarizării cu produsul (obținute prin utilizare repetată) să înlocuiască respectarea strictă a normelor de securitate pentru acest produs.

**FOLOSIREA INCORECTĂ** sau nerespectarea normelor de securitate din acest manual de instrucțiuni poate provoca vătămări corporale grave.

## Instrucțiuni importante privind siguranța pentru cartușul acumulatorului

1. **Înainte de a folosi cartușul acumulatorului, citiți toate instrucțiunile și atenționările de pe (1) încărcătorul acumulatorului, (2) acumulator și (3) produsul care folosește acumulatorul.**
2. **Nu dezasamblați și nu interveniți asupra cartușului acumulatorului.** Acest lucru poate cauza incendii, căldură excesivă sau explozii.
3. **Dacă timpul de funcționare s-a redus excesiv, întrerupeți imediat funcționarea.** Aceasta poate prezenta risc de supraîncălzire, posibile arsuri și chiar explozie.
4. **Dacă electrolitul pătrunde în ochi, clătiți bine ochii cu apă curată și consultați imediat un medic.** Există risc de orbire.
5. **Nu scurtcircuitați cartușul acumulatorului:**
  - (1) **Nu atingeți bornele cu niciun material conductor.**
  - (2) **Evitați depozitarea cartușului acumulatorului la un loc cu alte obiecte metalice cum ar fi cuie, monede etc.**
  - (3) **Nu expuneți cartușul acumulatorului la apă sau ploaie.**

Un scurtcircuit al acumulatorului poate provoca un flux puternic de curent electric, supraîncălzire, posibile arsuri și chiar defectarea mașinii.

6. **Nu depozitați și nu utilizați mașina și cartușul acumulatorului în locuri în care temperatura poate atinge sau depăși 50 °C (122 °F).**
7. **Nu incinerati cartușul acumulatorului chiar dacă acesta este grav deteriorat sau complet uzat.** Cartușul acumulatorului poate exploda în foc.
8. **Nu introduceți cuie în cartușul acumulatorului, nu îl tăiați, striviți, aruncați sau scăpați și nu îl loviți cu un obiect dur.** Astfel de acțiuni pot provoca incendii, căldură excesivă sau explozii.
9. **Nu utilizați un acumulator deteriorat.**
10. **Acumulatorii Li-Ion încorporați se supun cerințelor Legislației privind substanțele periculoase.** Pentru transporturi comerciale, efectuate de exemplu de către părți terțe, expeditori, trebuie respectate cerințele speciale de ambalare și etichetare. Pentru pregătirea articolului care urmează să fie expedit, este necesară consultarea unui expert în materiale periculoase. Vă rugăm să respectăm, de asemenea, reglementările naționale, care pot fi mai detaliate. Izolați sau acoperiți contactele deschise și împachetați acumulatorul în așa fel încât să nu se poată mișca în ambalaj.

11. **Atunci când eliminați la deșeuri cartușul acumulatorului, scoateți-l din mașină și eliminați-l într-un loc sigur. Respectați normele naționale privind eliminarea la deșeuri a acumulatorului.**
12. **Utilizați acumulatorii numai cu produsele specificate de Makita.** Instalarea acumulatorilor în produse neconforme poate cauza incendii, căldură excesivă, explozii sau scurgeri de electrolit.
13. **Dacă mașina nu este utilizată o perioadă lungă de timp, acumulatorul trebuie scos din acesta.**
14. **În timpul utilizării și după aceea, cartușul acumulatorului se poate încălzi, ceea ce poate cauza arsuri sau arsuri la temperaturi scăzute. Fiți atenți la manipularea cartușelor de acumulator atunci când sunt fierbinți.**
15. **Nu atingeți borna mașinii imediat după utilizare, întrucât se poate încălzi foarte tare și poate provoca arsuri.**
16. **Nu lăsați să pătrundă așchii, praf sau pământ în borne, în orificii și în canelurile cartușului acumulatorului.** Acest lucru poate duce la o performanță slabă sau poate cauza defectarea mașinii sau a cartușului acumulatorului.
17. **Nu utilizați cartușul acumulatorului în apropierea liniilor electrice de înaltă tensiune, cu excepția cazului în care mașina suportă utilizarea în apropierea liniilor electrice de înaltă tensiune.** Acest lucru poate duce la funcționarea necorespunzătoare sau la defectarea mașinii sau a cartușului acumulatorului.
18. **Țineți acumulatorul la distanță de copii.**

## PĂSTRAȚI ACESTE INSTRUCȚIUNI.

**⚠ATENȚIE:** Folosiți numai acumulatori Makita originali. Acumulatorii Makita care nu sunt originali și acumulatorii care au suferit modificări se pot aprinde, provocând incendii, leziuni corporale și daune. De asemenea, anulează garanția oferită de Makita pentru unealta și încărcătorul Makita.

## Sfaturi pentru obținerea unei durate maxime de exploatare a acumulatorului

1. **Încărcați cartușul acumulatorului înainte de a se descărca complet. Întrerupeți întotdeauna funcționarea mașinii și încărcați cartușul acumulatorului când observați o scădere a puterii mașinii.**
2. **Nu reîncărcați niciodată un acumulator complet încărcat. Supraîncărcarea va scurta durata de exploatare a acumulatorului.**
3. **Încărcați cartușul acumulatorului la temperatura camerei, între 10 °C - 40 °C (50 °F - 104 °F). Lăsați un acumulator fierbinte să se răcească înainte de a-l încărca.**
4. **Atunci când nu utilizați cartușul acumulatorului, scoateți-l din mașină sau din încărcător.**
5. **Încărcați cartușul acumulatorului în cazul în care nu a fost utilizat pe o perioadă mai lungă (mai mult de șase luni).**

## DESCRIEREA FUNCȚIILOR

**⚠ATENȚIE:** Asigurați-vă întotdeauna că mașina este oprită și cartușul acumulatorului este scos înainte de a ajusta sau verifica funcționarea mașinii.

### Instalarea sau scoaterea cartușului acumulatorului

**⚠ATENȚIE:** Opriți întotdeauna mașina înainte de montarea sau demontarea cartușului de acumulator.

**⚠ATENȚIE:** Țineți ferm mașina și cartușul acumulatorului la montarea sau demontarea cartușului. În cazul în care nu țineți ferm mașina și cartușul de acumulator, acestea vă pot aluneca din mâini, rezultând defectarea mașinii și cartușului de acumulator, precum și în accidenteări personale.

► Fig. 1: 1. Indicator roșu 2. Buton 3. Cartușul acumulatorului

Pentru a scoate cartușul acumulatorului, glisați-l din mașină în timp ce glisați butonul de pe partea frontală a cartușului.

Pentru a instala cartușul acumulatorului, aliniați limba de pe cartușul acumulatorului cu canelura din carcasă și introduceți-l în locaș. Introduceți-l complet, până când se înclinetează în locaș. Dacă puteți vedea indicatorul roșu din partea superioară a butonului, acesta nu este blocat complet.

**⚠ATENȚIE:** Instalați întotdeauna cartușul acumulatorului complet, până când indicatorul roșu nu mai este vizibil. În caz contrar, acesta poate cădea accidental din mașină provocând rănirea dumneavoastră sau a persoanelor din jur.

**⚠ATENȚIE:** Nu forțați cartușul acumulatorului la montare. Dacă acesta nu glisează ușor, înseamnă că a fost introdus incorect.

### Sistem de protecție mașină/acumulator

Mașina este prevăzută cu un sistem de protecție mașină/acumulator. Acest sistem întrerupe automat alimentarea cu energie pentru a extinde durata de funcționare a mașinii și acumulatorului. Mașina se va opri automat în timpul funcționării dacă mașina sau acumulatorul se află într-una din situațiile următoare:

### Protecție la suprasarcină

Acest sistem de protecție funcționează atunci când mașina este acționată într-o manieră care determină atragerea unui curent de o intensitate anormal de ridicată. În această situație, opriți mașina și întrerupeți aplicația care a dus la suprasolicitarea mașinii. Apoi, reporniți mașina.

## Protecție la supraîncălzire

În momentul în care mașina se supraîncălzeste, aceasta se oprește automat și lampa începe să lumineze intermitent. În această situație, lăsați mașina și acumulatorul să se răcească înainte de a reporni mașina.

## Protecție la supradescărcare

Acest sistem de protecție funcționează atunci când capacitatea rămasă a acumulatorului este scăzută. În această situație, scoateți acumulatorul din mașină și încărcați-l.

### Indicarea capacității rămase a acumulatorului

**Numai pentru cartușe de acumulator cu indicator**

► Fig. 2: 1. Lămpi indicatoare 2. Buton de verificare

Apăsați butonul de verificare de pe cartușul acumulatorului, astfel încât să se indice capacitățile rămase ale acumulatorului. Lămpile indicatorului vor lumina timp de câteva secunde.

Lămpi indicatoare			Capacitate rămasă
Iluminat	Oprit	Iluminare intermitentă	
			Între 75% și 100%
			Între 50% și 75%
			Între 25% și 50%
			Între 0% și 25%
			Încărcați acumulatorul.
			Este posibil ca acumulatorul să fie defect.

**NOTĂ:** În funcție de condițiile de utilizare și temperatura ambientală, indicația poate fi ușor diferită de capacitatea reală.

**NOTĂ:** Prima lampă indicatoare (extremitatea stângă) va lumina intermitent când sistemul de protecție a acumulatorului funcționează.

### Acționarea întrerupătorului

**ATENȚIE:** Înainte de a monta cartușul acumulatorului în mașină, verificați întotdeauna dacă pârghia de comutare funcționează corect și dacă revine în poziția „OFF” (oprit) atunci când este eliberată.

Pentru a porni mașina, apăsați pur și simplu pârghia de comutare. Viteza mașinii poate fi crescută prin creșterea forței de apăsare a pârghiei de comutare. Eliberați pârghia de comutare pentru a opri mașina.

► Fig. 3: 1. Pârghie de comutare

**NOTĂ:** Mașina se va opri automat în cazul în care trageți continuu butonul declanșator timp de aproximativ 1 minut.

Pentru a preveni acționarea accidentală a pârghiei de comutare, mașina este prevăzută cu pârghia de blocare.

Atunci când pârghia de blocare se află în poziția de blocare , pârghia de comutare nu poate fi acționată. Atunci când pârghia de blocare se află în poziția de deblocare , pârghia de comutare poate fi acționată.

► Fig. 4: 1. Pârghie de blocare 2. Blocare 3. Deblocare

**ATENȚIE:** Când nu folosiți mașina, glisăți întotdeauna pârghia de blocare în poziția de blocare .

### Aprinderea lămpii frontale

**ATENȚIE:** Nu priviți direct în raza sau în sursa de lumină.

Trageți pârghia de comutare pentru a aprinde lampa. Lampa continuă să lumineze atât timp cât pârghia de comutare este trasă. Lampa se stinge automat la aproximativ 10 secunde după eliberarea pârghiei de comutare.

► Fig. 5: 1. Pârghie de comutare 2. Lampă

**NOTĂ:** În momentul în care mașina se supraîncălzeste, lampa luminează intermitent. Lăsați mașina să se răcească înainte de a o folosi din nou.

**NOTĂ:** Folosiți o lavetă uscată pentru a șterge murdăria de pe lentila lămpii. Aveți grijă să nu zgâriați lentila lămpii deoarece, în caz contrar, iluminarea va fi redusă.

### Acționarea pârghiei de inversare

**ATENȚIE:** Verificați întotdeauna sensul de rotație înainte de utilizare.

**ATENȚIE:** Folosiți pârghia de inversare numai după ce mașina s-a oprit complet. Schimbarea sensului de rotație înainte de oprirea mașinii poate provoca avaria mașina.

Această mașină este prevăzută cu o pârghie de inversare pentru schimbarea sensului de rotație. Rotiți pârghia de inversare în poziția A pentru rotire în sens orar sau în poziția B pentru rotire în sens anti-orar. Asigurați-vă că pârghia de inversare este rotită complet până când se fixează în poziție cu un clic.

► Fig. 6: 1. Pârghie de inversare

## ASAMBLARE

**ATENȚIE:** Asigurați-vă întotdeauna că mașina este oprită și cartușul acumulatorului este scos înainte de a executa orice lucrări la mașină.

### Instalarea sau scoaterea suportului adaptor

Pentru a instala suportul adaptor, împingeți-l în orificiul adaptorului până când se fixează în poziție cu un clic.

► Fig.7: 1. Suport adaptor 2. Orificiu adaptor

Pentru a scoate suportul adaptor, introduceți o tijă, cum ar fi o șurubelniță, în partea din spate a suportului adaptor și apoi loviți-o ușor.

► Fig.8: 1. Suport adaptor 2. Șurubelniță

**NOTĂ:** În timpul procedurii de scoatere, țineți încontinuu suportul adaptor pentru a-l împiedica să cadă de pe mașină.

### Instalarea sau scoaterea capului mașinii de înșurubat

**ATENȚIE:** Înainte de utilizare, asigurați-vă de fixarea corectă a capului pe suportul adaptor. Atașarea incompletă a capului mașinii de înșurubat poate cauza leziuni.

**NOTĂ:** Folosiți întotdeauna capul cu dimensiunea corectă pentru boltul/piuliță. Folosirea unui cap cu o dimensiune incorectă va conduce la un cuplu de strângere insuficient și/sau la deteriorarea boltului/piuliței.

Pentru a instala capul mașinii de înșurubat, împingeți-l în suportul adaptor până când se fixează în poziție cu un clic. Pentru a scoate capul mașinii de înșurubat, trageți-l pur și simplu în afară.

► Fig.9: 1. Capul mașinii de înșurubat 2. Suport adaptor

## OPERAREA

**ATENȚIE:** Țineți mașina ferm, în special atunci când boltul/piulița ajunge în locaș. Capul mașinii de înșurubat nu se mai rotește, iar reacția motorului generează un recul brusc pentru a roti mașina.

**NOTĂ:** Țineți mașina orientată drept către boltul/piuliță.

Țineți mașina ferm și așezați capul mașinii de înșurubat pe boltul/piuliță. Porniți mașina și strângeți. Când boltul/piulița ajunge în locaș, mașina se oprește automat.

► Fig.10

Mașina poate fi folosită și fără capul mașinii de înșurubat. Orificiul adaptorului poate strânge bolturi/piulițe M8 (5/16"). (funcționează ca un cap de 13 mm)

► Fig.11

## Utilizarea ca mașină manuală

Puteți utiliza mașina ca mașină de înșurubat cu cichet manuală rotind-o în direcția săgeților, conform imaginii. În special, atunci când slăbiți un bolt/o piuliță înșurubat(ă) bine, slăbiți-l/o mai întâi manual și apoi porniți mașina.

► Fig.12

**NOTĂ:** Un cuplu de strângere excesiv poate deteriora boltul/piulița, capul mașinii de înșurubat sau mașina.

## ÎNȚREȚINERE

**ATENȚIE:** Asigurați-vă întotdeauna că mașina este oprită și cartușul acumulatorului scos înainte de a executa lucrările de inspecție și întreținere.

**NOTĂ:** Nu utilizați niciodată gazolină, benzină, diluant, alcool sau alte substanțe asemănătoare. În caz contrar, pot rezulta decolorări, deformări sau fisuri.

Pentru a menține SIGURANȚA și FIABILITATEA produsului, reparațiile și orice alte lucrări de întreținere sau reglare trebuie executate de centre de service Makita autorizate sau proprii, folosind întotdeauna piese de schimb Makita.

## ACCESORII OPȚIONALE

**ATENȚIE:** Folosiți accesoriile sau piesele auxiliare recomandate pentru mașina dumneavoastră Makita în acest manual. Utilizarea oricăror alte accesorii sau piese auxiliare poate prezenta risc de vătămare corporală. Utilizați accesoriile și piesele auxiliare numai în scopul destinat.

Dacă aveți nevoie de asistență sau de mai multe detalii referitoare la aceste accesorii, adresați-vă centrului local de service Makita.

- Capul mașinii de înșurubat
- Suport adaptor
- Acumulator și încărcător original Makita

**NOTĂ:** Unele articole din listă pot fi incluse ca accesorii standard în ambalajul de scule. Acestea pot diferi în funcție de țară.

## ТЕХНІЧНІ ХАРАКТЕРИСТИКИ

<b>Модель:</b>		<b>DWR180</b>
Припустимі розміри кріпильних виробів (із повторним затягуванням вручну)	Стандартний болт	M5 – M12
	Високоміцний болт	M5 – M10
Квадратний хвостовик		6,35 мм, 9,5 мм
Швидкість без навантаження		0—800 хв <sup>-1</sup>
Максимальний момент затягування		47,5 Н·м
Загальна довжина		369 мм
Номінальна напруга		18 В пост. струму
Маса нетто		1,2 – 1,6 кг

- Оскільки наша програма наукових досліджень і розробок триває безперервно, наведені тут технічні характеристики можуть бути змінені без попередження.
- Технічні характеристики приладу та касета з акумулятором можуть відрізнятись в різних країнах.
- Вага може відрізнятись залежно від допоміжного обладнання, наприклад касети з акумулятором. Найлегші та найважчі комплекти, відповідно до стандарту ЕРТА (Європейська асоціація виробників електроінструменту) від січня 01/2014 року, представлено в таблиці.

### Застосовна касета з акумулятором і зарядний пристрій

Касета з акумулятором	BL1815N / BL1820B / BL1830B / BL1840B / BL1850B / BL1860B
Зарядний пристрій	DC18RC / DC18RD / DC18RE / DC18SD / DC18SE / DC18SF / DC18SH

- Деякі касети з акумулятором і зарядні пристрої, які вказано вище, можуть бути недоступними залежно від вашого регіону або місця перебування.

**⚠ ПОПЕРЕДЖЕННЯ:** Використовуйте лише касети з акумулятором і зарядні пристрої, перелічені вище. Використання будь-яких інших касет з акумулятором і зарядних пристроїв може призвести до травмування й/або пожежі.

### Призначення

Інструмент призначено для кріплення болтів та гайок.

### Шум

Рівень шуму за шкалою А в типовому виконанні, визначений відповідно до стандарту EN62841-2-2:

Рівень звукового тиску ( $L_{pA}$ ): 74 дБ (А)

Похибка (К): 3 дБ (А)

Рівень шуму під час роботи може перевищувати 80 дБ (А).

**ПРИМІТКА:** Заявлене значення шуму було виміряно відповідно до стандартних методів тестування й може використовуватися для порівняння одного інструмента з іншим.

**ПРИМІТКА:** Заявлене значення шуму може також використовуватися для попереднього оцінювання впливу.

**⚠ ПОПЕРЕДЖЕННЯ:** Користуйтеся засобами захисту органів слуху.

**⚠ ПОПЕРЕДЖЕННЯ:** Залежно від умов використання рівень шуму під час фактичної роботи електроінструмента може відрізнятись від заявленого значення вібрації; особливо сильно на це впливає тип деталі, що оброблюється.

**⚠ ПОПЕРЕДЖЕННЯ:** Забезпечте належні запобіжні заходи для захисту оператора, що відповідатимуть умовам використання інструмента (слід брати до уваги всі складові робочого циклу, як-от час, коли інструмент вимкнено та коли він починає працювати на холостому ході під час запуску).

### Вібрація

Загальна величина вібрації (векторна сума трьох напрямків) визначена згідно з EN62841-2-2:

Режим роботи: закручування

Вібрація ( $a_h$ ): 2,5 м/с<sup>2</sup>

Похибка (К): 1,5 м/с<sup>2</sup>

**ПРИМІТКА:** Заявлене загальне значення вібрації було виміряно відповідно до стандартних методів тестування й може використовуватися для порівняння одного інструмента з іншим.

**ПРИМІТКА:** Заявлене загальне значення вібрації може також використовуватися для попереднього оцінювання впливу.

**▲ПОПЕРЕДЖЕННЯ:** Залежно від умов використання вібрація під час фактичної роботи електроінструмента може відрізнятися від заявленого значення вібрації; особливо сильно на це впливає тип деталі, що оброблюється.

**▲ПОПЕРЕДЖЕННЯ:** Забезпечте належні запобіжні заходи для захисту оператора, що відповідатимуть умовам використання інструмента (слід брати до уваги всі складові робочого циклу, як-от час, коли інструмент вимкнено та коли він починає працювати на холостому ході під час запуску).

## Декларація про відповідність стандартам ЄС

*Тільки для країн Європи*

Декларацію про відповідність стандартам ЄС наведено в Додатку А до цієї інструкції з експлуатації.

## ПОПЕРЕДЖЕННЯ ПРО ДОТРИМАННЯ ТЕХНІКИ БЕЗПЕКИ

### Загальні застереження щодо техніки безпеки при роботі з електроінструментами

**▲ПОПЕРЕДЖЕННЯ:** Уважно ознайомтеся з усіма попередженнями про дотримання правил техніки безпеки, інструкціями, ілюстраціями та технічними характеристиками, що стосуються цього електроінструмента. Невиконання будь-яких інструкцій, перелічених нижче, може призвести до ураження електричним струмом, пожежі та/або тяжких травм.

### Збережіть усі інструкції з техніки безпеки та експлуатації на майбутнє.

Термін «електроінструмент», зазначений у інструкції з техніки безпеки, стосується електроінструмента, який функціонує від електромережі (електроінструмент з кабелем живлення), або електроінструмента з живленням від батареї (безпроводний електроінструмент).

## Правила техніки безпеки під час роботи з бездротовим торцевим гайковертом

1. Тримайте електроприлад за ізольовані поверхні держака під час виконання дії, за якої кріпильна деталь може зачепити сховану проводку. Торкання кріпильною деталлю дроту під напругою може призвести до передавання напруги до оголених металевих частин інструмента та до ураження оператора електричним струмом.
2. Тримайте інструмент міцно.
3. Обов'язково забезпечте надійну опору. При виконанні робіт з інструментом на висоті переконайтеся, що внизу нікого немає.
4. Користуйтеся засобами захисту органів слуху.
5. Перед встановленням ретельно перевіряйте ударну головку щодо зношення, тріщин або пошкодження.
6. Не торкайтеся руками деталей, що обертаються.
7. Не торкайтеся головки з храповиком, ударної головки, болта, гайки або заготовки одразу після закінчення роботи. Вони можуть бути дуже гарячими, і це може призвести до отримання опіків шкіри.

## ЗБЕРІГАЙТЕ ЦІ ВКАЗІВКИ.

**▲ПОПЕРЕДЖЕННЯ:** НИКОЛИ НЕ втрачайте пильності та не розслабляйтеся під час користування виробом (що можливо при частому використанні); обов'язково строго дотримуйтеся відповідних правил безпеки.

**НЕНАЛЕЖНЕ ВИКОРИСТАННЯ** або недотримання правил техніки безпеки, викладених у цій інструкції з експлуатації, може призвести до серйозних травм.

## Важливі інструкції з безпеки для касети з акумулятором

1. Перед тим як користуватися касетою з акумулятором, слід прочитати всі інструкції та застережні знаки щодо (1) зарядного пристрою акумулятора, (2) акумулятора та (3) виробів, що працюють від акумулятора.
2. Не розбирайте касету з акумулятором і не змінюйте її конструкцію. Це може призвести до пожежі, перегріву або вибуху.
3. Якщо період роботи дуже покоротшав, слід негайно припинити користування. Це може призвести до виникнення ризику перегріву, опіку та навіть вибуху.
4. У разі потрапляння електроліту в очі слід промити їх чистою водою та негайно звернутися до лікаря. Це може призвести до втрати зору.

5. Не закоротіть касету з акумулятором.
  - (1) Не слід торкатися клем будь-яким струмопровідним матеріалом.
  - (2) Не слід зберігати касету з акумулятором у ємності з іншими металевими предметами, такими як цвяхи, монети тощо.
  - (3) Не залишайте касету з акумулятором під дощем, запобігайте контакту з водою.

Коротке замикання може призвести до появи значного струму, перегріву, можливих опіків та навіть виходу з ладу.
6. Не слід зберігати й використовувати інструмент і касету з акумулятором у місцях, де температура може сягнути чи перевищити 50 °C (122 °F).
7. Не слід спалювати касету з акумулятором, навіть якщо вона була неодноразово пошкоджена або повністю спрацьована. Касета з акумулятором може вибухнути у вогні.
8. Заборонено забивати цвяхи в касету з акумулятором, різати, ламати, кидати, впускати касету з акумулятором або вдаряти її твердим предметом. Це може призвести до пожежі, перегріву або вибуху.
9. Не слід використовувати пошкоджений акумулятор.
10. Літій-іонні акумулятори, що містяться в інструменті, мають відповідати вимогам законів про небезпечні товари. Під час транспортування за допомогою комерційних перевезень, наприклад із залученням третьої сторони та експедиторів, необхідно дотримуватись особливих вимог, вказаних на пакуванні й у маркуванні. Під час підготовки позиції до відправлення необхідно проконсультуватись зі спеціалістом з небезпечних матеріалів. Крім того, слід виконувати більш докладні національні настанови, якщо такі є. Заклейте відкриті контакти стрічкою або заховайте їх і запакуйте акумулятор таким чином, щоб він не міг рухатися в пакуванні.

11. Для утилізації касети з акумулятором витягніть її з інструмента та утилізуйте безпечним способом. Дотримуйтеся норм місцевого законодавства щодо утилізації акумуляторів.
12. Використовуйте акумулятори лише з виробами, указаними компанією Makita. Установлення акумуляторів у невідповідні виробы може призвести до пожежі, надмірного нагрівання, вибуху чи витoku електроліту.
13. Якщо інструментом не користуватимуться протягом тривалого періоду часу, вийміть акумулятор з інструмента.
14. Під час і після використання касета з акумулятором може нагріватися, що може стати причиною опіків або низькотемпературних опіків. Будьте обережні під час поводження з гарячою касетою з акумулятором.

15. Не торкайтеся контактів інструмента відразу після використання, оскільки він може бути досить гарячим, щоб викликати опіки.
16. Не допускайте, щоб уламки, пил або земля прилипали до контактів, отворів і пазів на касеті з акумулятором. Це може привести до зниження експлуатаційних параметрів, поломки інструмента або касети з акумулятором.
17. Якщо інструмент не розраховано на використання поблизу високовольтних ліній електропередач, не використовуйте касету з акумулятором поблизу високовольтних ліній електропередач. Це може призвести до несправності, поломки інструмента або касети з акумулятором.
18. Тримайте акумулятор у недоступному для дітей місці.

## ЗБЕРІГАЙТЕ ЦІ ВКАЗІВКИ.

**▲ОБЕРЕЖНО:** Використовуйте тільки акумулятори Makita. Використання акумуляторів, інших ніж оригінальні акумулятори Makita, або акумуляторів, конструкцію яких було змінено, може призвести до вибуху акумулятора і спричинити пожежу, травму або пошкодження. У зв'язку з цим також буде анульовано гарантію Makita на інструмент Makita і на зарядний пристрій.

## Поради з забезпечення максимального строку експлуатації акумулятора

1. Касету з акумулятором слід заряджати до того, як він розрядиться повністю. Завжди слід зупинити роботу інструмента та зарядити акумулятор, якщо ви помітили зменшення потужності інструмента.
2. Ніколи не слід заряджати повторно повністю заряджену касету з акумулятором. Перезарядження скорочує строк експлуатації акумулятора.
3. Заряджайте касету з акумулятором при кімнатній температурі 10°C - 40°C (50°F - 104°F). Перед тим як заряджати касету з акумулятором, слід зачекати, доки вона охолоне.
4. Коли касета з акумулятором не використовується, вийміть її з інструмента або зарядного пристрою.
5. Якщо касета з акумулятором не використовувалася тривалий час (понад шість місяців), її слід зарядити.

## ОПИС РОБОТИ

**⚠ ОБЕРЕЖНО:** Обов'язково переконайтеся, що прилад вимкнено, а касету з акумулятором знято, перед регулюванням або перевіркою функціонування інструмента.

## Встановлення та зняття касети з акумулятором

**⚠ ОБЕРЕЖНО:** Завжди вимикайте інструмент перед встановленням або зняттям касети з акумулятором.

**⚠ ОБЕРЕЖНО:** Під час встановлення або зняття касети з акумулятором слід міцно тримати інструмент та касету з акумулятором. Якщо ви утримуватимете інструмент та касету з акумулятором недостатньо міцно, вони можуть вислизнути з рук, що може призвести до пошкодження інструмента та касети з акумулятором або може спричинити травми.

► **Рис.1:** 1. Червоний індикатор 2. Кнопка 3. Касета з акумулятором

Щоб зняти касету з акумулятором, слід витягнути її з інструмента, натиснувши на кнопку в передній частині касети.

Щоб установити касету з акумулятором, слід сумістити виступ на касеті з акумулятором із пазом у корпусі та вставити касету на місце. Її необхідно вставити повністю, аж доки не почуєте клацання. Якщо на верхній частині кнопки помітний червоний індикатор, це означає, що касета з акумулятором установлена не до кінця.

**⚠ ОБЕРЕЖНО:** Завжди вставляйте касету з акумулятором повністю, щоб червоного індикатора не було видно. Якщо цього не зробити, касета може випадково випасти з інструмента та завдати травми вам або людям, що знаходяться поряд.

**⚠ ОБЕРЕЖНО:** Не встановлюйте касету з акумулятором із зусиллям. Якщо касета не вставляється легко, то це означає, що ви її неправильно вставляєте.

## Система захисту інструмента/ акумулятора

Інструмент оснащено системою захисту інструмента/ акумулятора. Ця система автоматично вимикає живлення з метою подовження терміну служби інструмента й акумулятора. Інструмент автоматично зупиняється під час роботи, якщо інструмент або акумулятор перебувають у зазначених далі умовах.

## Захист від перевантаження

Цей захист спрацює в разі занадто високого споживання струму інструментом у поточному режимі експлуатації. У такому випадку вимкніть інструмент і припиніть роботу, під час виконання якої сталося перевантаження інструмента. Щоб перезапустити інструмент, увімкніть його знову.

## Захист від перегрівання

Якщо інструмент перегрівся, він автоматично вимикається, і лампа підсвічування починає блимати. У такому випадку дайте інструменту й акумулятору охолонути, перш ніж знову вмикати інструмент.

## Захист від надмірного розрядження

Цей захист спрацює, коли рівень заряду акумулятора стає низьким. У цій ситуації вийміть акумулятор з інструмента й зарядіть його.

## Відображення залишкового заряду акумулятора

*Тільки для касет з акумулятором, які мають індикатори*

► **Рис.2:** 1. Індикаторні лампи 2. Кнопка перевірки  
Натисніть кнопку перевірки на касеті з акумулятором для відображення залишкового ресурсу акумулятора. Індикаторні лампи загоряться на кілька секунд.

Індикаторні лампи			Залишковий ресурс
Горить	Вимк.	Блимає	
■	□	▨	від 75 до 100%
■	■	■	від 50 до 75%
■	□	□	від 25 до 50%
■	□	□	від 0 до 25%
▨	□	□	Зарядіть акумулятор.
■	■	□	Можливо, акумулятор вийшов з ладу.
□	□	■	

**ПРИМІТКА:** Залежно від умов використання та температури оточуючого середовища показання можуть незначним чином відрізнитися від дійсного ресурсу.

**ПРИМІТКА:** Перша (дальня ліва) індикаторна лампа блимає під час роботи захисної системи акумулятора.

## Дія вимикача



**⚠ ОБЕРЕЖНО:** Перед тим як встановлювати касету з акумулятором в інструмент, слід завжди перевіряти, чи належним чином працює важіль вимикача та чи повертається він у положення OFF («ВИМК.»), коли його відпускають.

Щоб почати працювати з інструментом, просто потягніть важіль вимикача. Швидкість обертання інструменту збільшується відповідно до збільшення зусилля натискання на важіль вимикача. Відпустіть важіль вимикача, щоб зупинити інструмент.


► **Рис.3:** 1. Важіль вимикача



**ПРИМІТКА:** Інструмент автоматично зупиняється, якщо тиснути на курок вмикача приблизно 1 хвилину.

Для запобігання випадковому натисканню важеля вмикача передбачений важіль блокування. Коли важіль блокування перебуває в положенні блокування , важіль вмикача не діє. Коли важіль блокування перебуває в положенні розблокування , важіль вмикача можна пересувати.

► **Рис.4:** 1. Важіль блокування 2. Блокування 3. Розблокування

**⚠ОБЕРЕЖНО:** Якщо інструмент не використовується, обов'язково встановіть важіль блокування в положення блокування .

## Увімкнення переднього підсвічування

**⚠ОБЕРЕЖНО:** Не дивіться на світло або безпосередньо на джерело світла.

Потягніть важіль вмикача, щоб увімкнути лампу. Лампа продовжує світитись, поки натиснуто важіль вмикача. Лампа гасне автоматично приблизно через 10 секунд після того, як важіль вмикача було відпущено.

► **Рис.5:** 1. Важіль вмикача 2. Лампа

**УВАГА:** У разі перегріву інструмента починає блимати лампа. Зачекайте, доки інструмент повністю охолоне, перш ніж продовжувати роботу.

**УВАГА:** Для очищення скла лампи підсвічування протріть її сухою тканиною. Будьте обережні, щоб не подряпати скло лампи підсвічування, тому що це погіршить освітлювання.

## Робота важеля реверсу

**⚠ОБЕРЕЖНО:** Перед початком роботи обов'язково перевіряйте напрям обертання.

**⚠ОБЕРЕЖНО:** Важіль реверсу можна використовувати тільки після повної зупинки інструмента. Зміна напрямку обертання до повної зупинки інструмента може призвести до його пошкодження.

Цей інструмент обладнано важелем реверсу для зміни напрямку обертання. Для обертання за годинниковою стрілкою пересуньте важіль реверсу в положення А, для обертання проти годинникової стрілки – в положення В. Переконайтеся в тому, що важіль реверсу повернуто повністю, до кляцання.

► **Рис.6:** 1. Важіль реверсу

## ЗБОРКА

**⚠ОБЕРЕЖНО:** Обов'язково переконайтеся, що прилад вимкнено, а касету з акумулятором знято, перш ніж проводити будь-які роботи з інструментом.

## Встановлення або зняття перехідника торцевих головок

Щоб встановити перехідник торцевих головок, вставте його в отвір для перехідника до фіксації.

► **Рис.7:** 1. Перехідник торцевих головок 2. Отвір для перехідника

Щоб зняти перехідник торцевих головок, вставте зі зворотного боку перехідника стрижень, наприклад викрутку, й обережно постукайте.

► **Рис.8:** 1. Перехідник торцевих головок 2. Викрутка

**УВАГА:** Під час зняття притримуйте перехідник торцевих головок, аби він не випав з інструмента.

## Встановлення або зняття торцевої головки

**⚠ОБЕРЕЖНО:** Перш ніж розпочинати роботу з інструментом, слід переконавшись, що торцеву головку надійно зафіксовано на перехіднику торцевих головок. Неповна фіксація торцевої головки може спричинити травми.

**УВАГА:** Завжди використовуйте торцеві головки, що відповідають розміру болтів / гайок. Використання торцевої головки неправильного розміру призведе до нерівномірного моменту затягування та / або до пошкодження болта / гайки.

Щоб установити торцеву головку, надягніть її на перехідник торцевих головок до фіксації. Щоб зняти торцеву головку, просто потягніть її.

► **Рис.9:** 1. Торцева головка 2. Перехідник торцевих головок

## РОБОТА

**⚠ОБЕРЕЖНО:** Міцно тримайте інструмент, особливо в момент досягнення болтом / гайкою положення повного затягування. Торцева головка припинить обертатися, і реакція двигуна негайно спричинить ривок інструмента у зворотному напрямку.

**УВАГА:** Тримайте інструмент так, щоб він був спрямований на болт / гайку.

Міцно тримаючи інструмент, натягніть торцеву головку на болт / гайку. Увімкніть інструмент і виконайте затягування. Коли болт / гайка досягне положення повного затягування, інструмент автоматично зупиниться.

► **Рис.10**

Інструмент можна також використовувати без торцевої головки. Отвір перехідника дає змогу затягувати болти / гайки М8 (5/16"). (він заміняє торцеву головку 13 мм)

► **Рис.11**

## Використання інструмента як ручного

Інструмент можна використовувати як ключ із храповим механізмом, повертаючи його в напрямку, вказаному на рисунку стрілками. Зокрема під час відкручування тугих болтів / гайок рекомендовано спершу послабити їх вручну, а вже потім вмикати інструмент.

► Рис.12

**УВАГА:** Надмірний момент затягування може призвести до пошкодження болта / гайки, торцевої головки чи інструмента.

## ТЕХНІЧНЕ ОБСЛУГОВУВАННЯ

**⚠ ОБЕРЕЖНО:** Перед здійсненням перевірки або обслуговування завжди перевіряйте, щоб інструмент був вимкнений, а касета з акумулятором була знята.

**УВАГА:** Ніколи не використовуйте газолін, бензин, розріджувач, спирт та подібні речовини. Їх використання може призвести до зміни кольору, деформації або появи тріщин.

Для забезпечення БЕЗПЕКИ та НАДІЙНОСТІ продукції, її ремонт, а також роботи з обслуговування або регулювання повинні виконуватись уповноваженими або заводськими сервісними центрами Makita із використанням запчастин виробництва компанії Makita.

## ДОДАТКОВЕ ПРИЛАДДЯ

**⚠ ОБЕРЕЖНО:** Це додаткове та допоміжне обладнання рекомендовано використовувати з інструментом Makita, зазначеним у цій інструкції з експлуатації. Використання будь-якого іншого додаткового та допоміжного обладнання може становити небезпеку травмування. Використовуйте додаткове та допоміжне обладнання лише за призначенням.

У разі необхідності отримати допомогу в більш детальному ознайомленні з оснащенням звертайтеся до місцевого сервісного центру Makita.

- Торцева головка
- Перехідник торцевих головок
- Оригінальний акумулятор та зарядний пристрій Makita

**ПРИМІТКА:** Деякі елементи списку можуть входити до комплекту інструмента як стандартне приладдя. Вони можуть відрізнятися залежно від країни.

## ТЕХНИЧЕСКИЕ ХАРАКТЕРИСТИКИ

<b>Модель:</b>		<b>DWR180</b>
Допустимые размеры крепежа (с повторным затягиванием вручную)	Стандартный болт	M5 – M12
	Высокопрочный болт	M5 – M10
Квадратный хвостовик		6,35 мм, 9,5 мм
Число оборотов без нагрузки		0 - 800 мин <sup>-1</sup>
Максимальный момент затяжки		47,5 Н•м
Общая длина		369 мм
Номинальное напряжение		18 В пост. тока
Масса нетто		1,2 – 1,6 кг

- Благодаря нашей постоянно действующей программе исследований и разработок указанные здесь технические характеристики могут быть изменены без предварительного уведомления.
- Технические характеристики и аккумуляторный блок могут отличаться в зависимости от страны.
- Масса может отличаться в зависимости от дополнительного оборудования. Обратите внимание, что блок аккумулятора также считается дополнительным оборудованием. В таблице представлены комбинации с наибольшим и наименьшим весом в соответствии с процедурой EPTA 01/2014.

### Подходящий блок аккумулятора и зарядное устройство

Блок аккумулятора	BL1815N / BL1820B / BL1830B / BL1840B / BL1850B / BL1860B
Зарядное устройство	DC18RC / DC18RD / DC18RE / DC18SD / DC18SE / DC18SF / DC18SH

- В зависимости от региона проживания некоторые блоки аккумуляторов и зарядные устройства, перечисленные выше, могут быть недоступны.

**⚠ОСТОРОЖНО:** Используйте только перечисленные выше блоки аккумуляторов и зарядные устройства. Использование других блоков аккумуляторов и зарядных устройств может привести к травме и/или пожару.

### Назначение

Инструмент предназначен для затяжки болтов и гаек.

### Шум

Типичный уровень взвешенного звукового давления (A), измеренный в соответствии с EN62841-2-2:  
 Уровень звукового давления (L<sub>ра</sub>): 74 дБ (A)  
 Погрешность (K): 3 дБ (A)

Уровень шума при выполнении работ может превышать 80 дБ (A).

**ПРИМЕЧАНИЕ:** Заявленное значение распространения шума измерено в соответствии со стандартной методикой испытаний и может быть использовано для сравнения инструментов.

**ПРИМЕЧАНИЕ:** Заявленное значение распространения шума можно также использовать для предварительных оценок воздействия.

**⚠ОСТОРОЖНО:** Используйте средства защиты слуха.

**⚠ОСТОРОЖНО:** Распространение шума во время фактического использования электроинструмента может отличаться от заявленного значения в зависимости от способа применения инструмента и в особенности от типа обрабатываемой детали.

**⚠ОСТОРОЖНО:** Обязательно определите меры безопасности для защиты оператора, основанные на оценке воздействия в реальных условиях использования (с учетом всех этапов рабочего цикла, таких как выключение инструмента, работа без нагрузки и включение).

### Вибрация

Суммарное значение вибрации (сумма векторов по трем осям), определенное в соответствии с EN62841-2-2:

Рабочий режим: затяжка  
 Распространение вибрации (a<sub>n</sub>): 2,5 м/с<sup>2</sup>  
 Погрешность (K): 1,5 м/с<sup>2</sup>

**ПРИМЕЧАНИЕ:** Заявленное общее значение распространения вибрации измерено в соответствии со стандартной методикой испытаний и может быть использовано для сравнения инструментов.

**ПРИМЕЧАНИЕ:** Заявленное общее значение распространения вибрации можно также использовать для предварительных оценок воздействия.

**⚠ОСТОРОЖНО:** Распространение вибрации во время фактического использования электроинструмента может отличаться от заявленного значения в зависимости от способа применения инструмента и в особенности от типа обрабатываемой детали.

**⚠ОСТОРОЖНО:** Обязательно определите меры безопасности для защиты оператора, основанные на оценке воздействия в реальных условиях использования (с учетом всех этапов рабочего цикла, таких как выключение инструмента, работа без нагрузки и включение).

## Декларация о соответствии ЕС

*Только для европейских стран*

Декларация о соответствии ЕС включена в руководство по эксплуатации (Приложение А).

## МЕРЫ БЕЗОПАСНОСТИ

### Общие рекомендации по технике безопасности для электроинструментов

**⚠ОСТОРОЖНО:** Ознакомьтесь со всеми представленными инструкциями по технике безопасности, указаниями, иллюстрациями и техническими характеристиками, прилагаемыми к данному электроинструменту. Несоблюдение каких-либо инструкций, указанных ниже, может привести к поражению электрическим током, пожару и/или серьезной травме.

### Сохраните брошюру с инструкциями и рекомендациями для дальнейшего использования.

Термин "электроинструмент" в предупреждениях относится ко всему инструменту, работающему от сети (с проводом) или на аккумуляторах (без провода).

### Техника безопасности при работе с аккумуляторным торцевым гайковертом

1. Если при выполнении работ существует риск контакта инструмента со скрытой электропроводкой, держите электроинструмент за специальные предназначенные изолированные поверхности. Контакт с проводом под напряжением приведет к тому, что металлические детали инструмента также будут под напряжением, что приведет к поражению оператора электрическим током.
2. **Крепко держите инструмент.**

3. При выполнении работ всегда занимайте устойчивое положение. При использовании инструмента на высоте убедитесь в отсутствии людей внизу.
4. Обязательно используйте средства защиты слуха.
5. Перед эксплуатацией тщательно осмотрите ударную головку и убедитесь в отсутствии трещин или повреждений.
6. Руки должны находиться на расстоянии от вращающихся деталей.
7. Не касайтесь головки с трещоткой, ударной головкой, болта, гайки или заготовки сразу после окончания длительной работы. Они могут быть очень горячими и вызвать ожог.

## СОХРАНИТЕ ДАННЫЕ ИНСТРУКЦИИ.

**⚠ОСТОРОЖНО:** НЕ ДОПУСКАЙТЕ, чтобы удобство или опыт эксплуатации данного устройства (полученный от многократного использования) доминировали над строгим соблюдением правил техники безопасности при обращении с этим устройством.

**НЕПРАВИЛЬНОЕ ИСПОЛЬЗОВАНИЕ** инструмента или несоблюдение правил техники безопасности, указанных в данном руководстве, может привести к тяжелой травме.

### Важные правила техники безопасности для работы с аккумуляторным блоком

1. Перед использованием аккумуляторного блока прочитайте все инструкции и предупреждающие надписи на (1) зарядном устройстве, (2) аккумуляторном блоке и (3) инструменте, работающем от аккумуляторного блока.
2. Не разбирайте блок аккумулятора и не меняйте его конструкцию. Это может привести к пожару, перегреву или взрыву.
3. Если время работы аккумуляторного блока значительно сократилось, немедленно прекратите работу. В противном случае, может возникнуть перегрев блока, что приведет к ожогам и даже к взрыву.
4. В случае попадания электролита в глаза промойте их обильным количеством чистой воды и немедленно обратитесь к врачу. Это может привести к потере зрения.
5. Не замыкайте контакты аккумуляторного блока между собой:
  - (1) Не прикасайтесь к контактам какими-либо токопроводящими предметами.
  - (2) Не храните аккумуляторный блок в контейнере вместе с другими металлическими предметами, такими как гвозди, монеты и т. п.
  - (3) Не допускайте попадания на аккумуляторный блок воды или дождя.Замыкание контактов аккумуляторного блока между собой может привести к возникновению большого тока, перегреву, возможным ожогам и даже поломке блока.
6. Не храните и не используйте инструмент и аккумуляторный блок в местах, где температура может достигать или превышать 50 °C (122 °F).

7. Не бросайте аккумуляторный блок в огонь, даже если он сильно поврежден или полностью вышел из строя. Аккумуляторный блок может взорваться под действием огня.
8. Запрещено вбивать гвозди в блок аккумулятора, резать, ломать, бросать, ронять блок аккумулятора или ударять его твердым предметом. Это может привести к пожару, перегреву или взрыву.
9. Не используйте поврежденный аккумуляторный блок.
10. Входящие в комплект литий-ионные аккумуляторы должны эксплуатироваться в соответствии с требованиями законодательства об опасных товарах. При коммерческой транспортировке, например, третьей стороной или экспедитором, необходимо нанести на упаковку специальные предупреждения и маркировку. В процессе подготовки устройства к отправке обязательно проконсультируйтесь со специалистом по опасным материалам. Также соблюдайте местные требования и нормы. Они могут быть строже. Закройте или закрепите разомкнутые контакты и упакуйте аккумулятор так, чтобы он не перемещался по упаковке.
11. Для утилизации блока аккумулятора извлеките его из инструмента и утилизируйте безопасным способом. Выполняйте требования местного законодательства по утилизации аккумуляторного блока.
12. Используйте аккумуляторы только с продукцией, указанной Makita. Установка аккумуляторов на продукцию, не соответствующую требованиям, может привести к пожару, перегреву, взрыву или утечке электролита.
13. Если инструментом не будут пользоваться в течение длительного периода времени, извлеките аккумулятор из инструмента.
14. Во время и после использования блок аккумулятора может нагреваться, что может стать причиной ожогов или низкотемпературных ожогов. Будьте осторожны при обращении с горячим блоком аккумулятора.
15. Не прикасайтесь к контактам инструмента сразу после использования, поскольку они могут быть достаточно горячими, чтобы вызвать ожоги.
16. Не допускайте, чтобы обломки, пыль или земля прилипали к контактам, отверстиям и пазам на блоке аккумулятора. Это может привести к снижению эксплуатационных параметров, поломке инструмента или блока аккумулятора.
17. Если инструмент не рассчитан на использование вблизи высоковольтных линий электропередач, не используйте блок аккумулятора вблизи высоковольтных линий электропередач. Это может привести к неисправности, поломке инструмента или блока аккумулятора.
18. Храните аккумулятор в недоступном для детей месте.

## СОХРАНИТЕ ДАННЫЕ ИНСТРУКЦИИ.

**ВНИМАНИЕ:** Используйте только фирменные аккумуляторные батареи Makita. Использование аккумуляторных батарей, не произведенных Makita, или батарей, которые были подвергнуты модификациям, может привести к взрыву аккумулятора, пожару, травмам и повреждению имущества. Это также автоматически аннулирует гарантию Makita на инструмент и зарядное устройство Makita.

## Советы по обеспечению максимального срока службы аккумулятора

1. Заряжайте блок аккумуляторов перед его полной разрядкой. Обязательно прекратите работу с инструментом и зарядите блок аккумуляторов, если вы заметили снижение мощности инструмента.
2. Никогда не подзаряжайте полностью заряженный блок аккумуляторов. Перезарядка сокращает срок службы аккумулятора.
3. Заряжайте блок аккумуляторов при комнатной температуре в 10 - 40 °C (50 - 104 °F). Перед зарядкой горячего блока аккумуляторов дайте ему остыть.
4. Если блок аккумулятора не используется, извлеките его из инструмента или зарядного устройства.
5. Зарядите ионно-литиевый аккумуляторный блок, если вы не будете пользоваться инструментом длительное время (более шести месяцев).

## ОПИСАНИЕ РАБОТЫ

**ВНИМАНИЕ:** Перед регулировкой или проверкой функций инструмента обязательно убедитесь, что он выключен и его аккумуляторный блок снят.

### Установка или снятие блока аккумулятора

**ВНИМАНИЕ:** Обязательно выключайте инструмент перед установкой и извлечением аккумуляторного блока.

**ВНИМАНИЕ:** При установке и извлечении аккумуляторного блока крепко удерживайте инструмент и аккумуляторный блок. Если не соблюдать это требование, они могут выскользнуть из рук, что приведет к повреждению инструмента, аккумуляторного блока и травмированию оператора.

► Рис.1: 1. Красный индикатор 2. Кнопка 3. Блок аккумулятора

Для снятия аккумуляторного блока нажмите кнопку на лицевой стороне и извлеките блок.

Для установки блока аккумулятора совместите выступ блока аккумулятора с пазом в корпусе и задвиньте его на место. Устанавливайте блок до упора так, чтобы он зафиксировался на месте с небольшим щелчком. Если вы можете видеть красный индикатор на верхней части клавиши, блок аккумулятора не полностью зафиксирован на месте.

**ВНИМАНИЕ:** Обязательно устанавливайте блок аккумулятора до конца, чтобы красный индикатор не был виден. В противном случае блок аккумулятора может выпасть из инструмента и нанести травму вам или другим людям.

**ВНИМАНИЕ:** Не прилагайте чрезмерных усилий при установке аккумуляторного блока. Если блок не двигается свободно, значит он вставлен неправильно.

## Система защиты инструмента/аккумулятора

На инструменте предусмотрена система защиты инструмента/аккумулятора. Она автоматически отключает питание для продления срока службы инструмента и аккумулятора. Инструмент автоматически отключится в указанных далее случаях, влияющих на работу самого инструмента или аккумулятора.

### Защита от перегрузки

Эта защита срабатывает в случае слишком высокого потребления тока инструментом в текущем режиме эксплуатации. В этом случае выключите инструмент и прекратите работу, из-за которой произошла перегрузка инструмента. Затем включите инструмент для перезапуска.

### Защита от перегрева

При перегреве инструмент автоматически останавливается, а лампа начинает мигать. В этом случае дайте инструменту и аккумулятору остыть перед повторным включением.

### Защита от переразрядки

Эта защита срабатывает, когда уровень заряда аккумулятора становится низким. В этой ситуации извлеките аккумулятор из инструмента и зарядите его.

## Индикация оставшегося заряда аккумулятора

Только для блоков аккумулятора с индикатором

► Рис.2: 1. Индикаторы 2. Кнопка проверки

Нажмите кнопку проверки на аккумуляторном блоке для проверки заряда. Индикаторы загорятся на несколько секунд.

Индикаторы			Уровень заряда
Горит	Выкл.	Мигает	
■ ■ ■ ■			от 75 до 100%
■ ■ ■ □			от 50 до 75%
■ ■ □ □			от 25 до 50%
■ □ □ □			от 0 до 25%
▣ □ □ □			Зарядите аккумуляторную батарею.
■ ■ □ □			Возможно, аккумуляторная батарея неисправна.
□ □ ■ ■			

**ПРИМЕЧАНИЕ:** В зависимости от условий эксплуатации и температуры окружающего воздуха индикация может незначительно отличаться от фактического значения.

**ПРИМЕЧАНИЕ:** Первая (дальняя левая) индикаторная лампа будет мигать во время работы защитной системы аккумулятора.



## Действие выключателя

**ВНИМАНИЕ:** Перед установкой блока аккумулятора в инструмент обязательно убедитесь, что его рычаг переключателя нормально работает и возвращается в положение «OFF» (ВЫКЛ.) при отпуске.


Для включения инструмента достаточно просто нажать на рычаг переключателя. Для увеличения числа оборотов нажмите на рычаг переключателя сильнее. Для выключения инструмента отпустите рычаг переключателя.

► Рис.3: 1. Рычаг переключателя

**ПРИМЕЧАНИЕ:** Инструмент автоматически остановится, если удерживать триггерный переключатель нажатым приблизительно 1 минуту.

Для предотвращения случайного нажатия рычага переключателя оборудован стопорным рычагом. Когда стопорный рычаг находится в положении блокировки , рычаг переключателя не действует. Когда стопорный рычаг находится в положении разблокировки , рычаг переключателя действует.

► Рис.4: 1. Стопорный рычаг 2. Положение блокировки 3. Положение разблокировки

**ВНИМАНИЕ:** Если инструмент не используется, обязательно устанавливайте стопорный рычаг в положение блокировки .

## Включение передней лампы

**ВНИМАНИЕ:** Не смотрите непосредственно на свет или источник света.

Нажмите на рычаг переключателя для включения лампы. Лампа будет светиться до тех пор, пока рычаг переключателя находится в нажатом положении. Лампа погаснет автоматически приблизительно через 10 секунд после того, как рычаг переключателя будет отпущен.

► Рис.5: 1. Рычаг переключателя 2. Подсветка

**ПРИМЕЧАНИЕ:** При перегреве инструмента начинает мигать лампа. Прежде чем возобновить работу, убедитесь, что инструмент полностью остыл.

**ПРИМЕЧАНИЕ:** Для удаления пыли с линзы лампы используйте сухую ткань. Не допускайте возникновения царапин на линзе лампы, так как это приведет к снижению освещенности.

## Действие реверсивного переключателя

**⚠ВНИМАНИЕ:** Перед работой всегда проверьте направление вращения.

**⚠ВНИМАНИЕ:** Используйте реверсивный переключатель только после полной остановки инструмента. Изменение направления вращения до полной остановки инструмента может привести к его повреждению.

Этот инструмент оснащен реверсивным переключателем для изменения направления вращения. Сдвиньте реверсивный переключатель в сторону А для вращения по часовой стрелке или в сторону В для вращения против часовой стрелки. Убедитесь в том, что реверсивный переключатель повернут полностью, до щелчка.

► **Рис.6:** 1. Реверсивный переключатель

## СБОРКА

**⚠ВНИМАНИЕ:** Перед проведением каких-либо работ с инструментом обязательно убедитесь, что инструмент отключен, а блок аккумулятора снят.

### Установка или снятие переходника торцевых головок

Для установки переходника торцевых головок вставьте его в отверстие для переходника до фиксации.

► **Рис.7:** 1. Переходник торцевых головок  
2. Отверстие для переходника

Для снятия переходника торцевых головок вставьте стержень, например отвертку, с обратной стороны переходника и легонько постучите.

► **Рис.8:** 1. Переходник торцевых головок 2. Отвертка

**ПРИМЕЧАНИЕ:** В процессе снятия придерживайте переходник торцевых головок, чтобы он не выпал из инструмента.

### Установка или снятие торцевой головки

**⚠ВНИМАНИЕ:** Перед началом работы убедитесь в том, что торцевая головка надежно зафиксирована в переходнике торцевых головок. Неполная фиксация торцевой головки может стать причиной травмы.

**ПРИМЕЧАНИЕ:** Всегда используйте торцевую головку, соответствующую размеру болта / гайки. Использование торцевой головки неправильного размера приведет к неравномерному крутящему моменту затяжки и / или повреждению болта или гайки.

Для установки торцевой головки наденьте ее на переходник торцевых головок до фиксации. Для снятия торцевой головки просто потяните за нее.

► **Рис.9:** 1. Торцевая головка 2. Переходник торцевых головок

## ЭКСПЛУАТАЦИЯ

**⚠ВНИМАНИЕ:** Крепко удерживайте инструмент, особенно в момент достижения болтом или гайкой положения полной затяжки. Торцевая головка перестанет вращаться, и реакция двигателя немедленно вызовет рывок инструмента в обратную сторону.

**ПРИМЕЧАНИЕ:** Держите инструмент так, чтобы он был направлен прямо на болт / гайку.

Крепко удерживая инструмент, наденьте торцевую головку на болт / гайку. Включите инструмент и выполните затяжку. Когда болт / гайка достигнет положения полной затяжки, инструмент автоматически остановится.

► **Рис.10**

Инструмент можно также использовать без торцевой головки. Отверстие переходника позволяет затягивать болты / гайки М8 (5/16 дюйма). (таким образом, оно заменяет торцевую головку 13 мм)

► **Рис.11**

### Использование в качестве ручного инструмента

Инструмент можно использовать в качестве трехшоточного ключа, поворачивая его в направлении, указанном на рисунке стрелками. В частности, при отвинчивании тугих болтов / гаек рекомендуется ослабить их вручную, прежде чем включать инструмент.

► **Рис.12**

**ПРИМЕЧАНИЕ:** Чрезмерный крутящий момент затяжки может повредить болт / гайку, торцевую головку или инструмент.

## ОБСЛУЖИВАНИЕ

**⚠ВНИМАНИЕ:** Перед проведением проверки или работ по техобслуживанию всегда проверяйте, что инструмент выключен, а блок аккумулятора снят.

**ПРИМЕЧАНИЕ:** Запрещается использовать бензин, растворители, спирт и другие подобные жидкости. Это может привести к обесцвечиванию, деформации и трещинам.

Для обеспечения БЕЗОПАСНОСТИ и НАДЕЖНОСТИ оборудования ремонт, любое другое техобслуживание или регулировку необходимо производить в уполномоченных сервис-центрах Makita или сервис-центрах предприятия с использованием только сменных частей производства Makita.

# ДОПОЛНИТЕЛЬНЫЕ ПРИНАДЛЕЖНОСТИ

**⚠ВНИМАНИЕ:** Данные принадлежности или приспособления рекомендуются для использования с инструментом Makita, указанным в настоящем руководстве. Использование других принадлежностей или приспособлений может привести к получению травмы. Используйте принадлежность или приспособление только по указанному назначению.

Если вам необходимо содействие в получении дополнительной информации по этим принадлежностям, свяжитесь с вашим сервис-центром Makita.

- Торцевая головка
- Переходник торцевых головок
- Оригинальный аккумулятор и зарядное устройство Makita

**ПРИМЕЧАНИЕ:** Некоторые элементы списка могут входить в комплект инструмента в качестве стандартных приспособлений. Они могут отличаться в зависимости от страны.

Makita Europe N.V. Jan-Baptist Vinkstraat 2,  
3070 Kortenberg, Belgium

Makita Corporation 3-11-8, Sumiyoshi-cho,  
Anjo, Aichi 446-8502 Japan

[www.makita.com](http://www.makita.com)

885834-961  
EN, SL, SQ, BG,  
HR, MK, SR, RO,  
UK, RU  
20200824