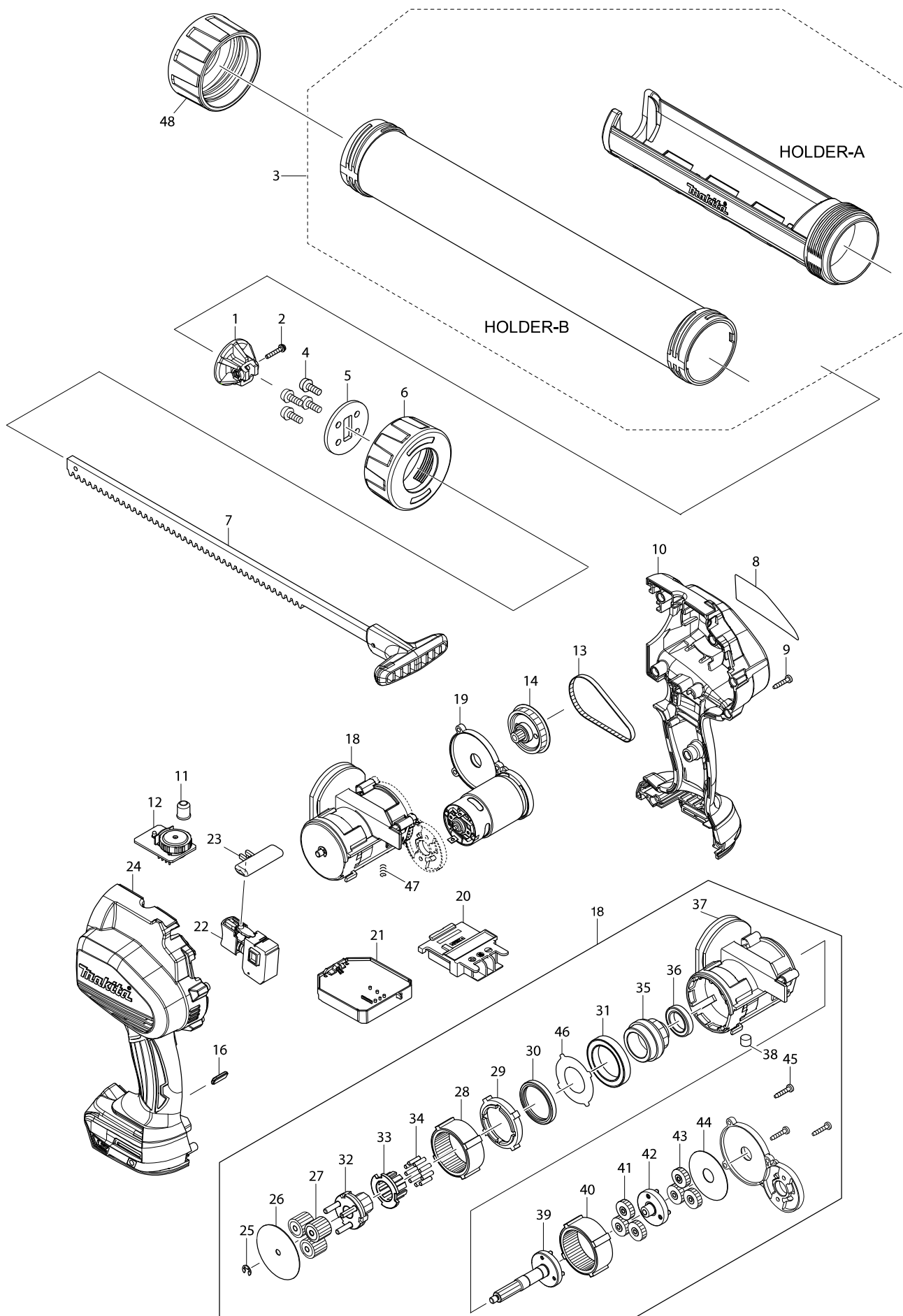


Mallinero DCG180 CORDLESS CAULKING GUN



Mallinumero DCG180 CORDLESS CAULKING GUN

Sivu 1 / 2

Nimike	Osanumero	Kuvaus	I/C nu	MÄÄRÄ	N/O	Opt. 1	Opt. 2	HUOMAUTUS
001E	142072-0	PISTON B COMPLETE		1				
001F	142072-0	PISTON B COMPLETE		1				
001G	142071-2	PISTON A COMPLETE		1				
001H	142071-2	PISTON A COMPLETE		1				
002	266827-0	PAN HEAD SCREW M3X18 WITH WR		1				
003E	141861-0	HOLDER B COMPLETE		1				
003F	141861-0	HOLDER B COMPLETE		1				
003G	454275-7	HOLDER A		1				
003H	454275-7	HOLDER A		1				
004	265074-0	PAN HEAD SCREW M5X16		4				
005	346649-5	PLATE		1				
006E	318958-2	HOLDER JOINT B		1				
006F	318958-2	HOLDER JOINT B		1				
006G	454223-6	HOLDER JOINT A		1				
006H	454223-6	HOLDER JOINT A		1				
007E	142042-9	RACK 64 COMPLETE		1				
007F	142042-9	RACK 64 COMPLETE		1				
007G	142041-1	RACK 42 COMPLETE		1				
007H	142041-1	RACK 42 COMPLETE		1				
008	815F86-5	DCG180 NAME PLATE		1				
009	266429-2	TAPPING SCREW 3X16		9				
010	187618-5	HOUSING SET		1				
C10	263005-3	RUBBER PIN 6		2				
D10		INC. 24						
011	418821-0	LENS		1				
012	620180-2	SUB CONTROLLER		1				
013	225097-0	SYNCHRO BELT 4-176		1				
014	142038-0	SPUR GEAR 9A COMPLETE		1				
016	454230-9	LENS		1				
018	126253-4	GEAR ASSEMBLY		1				
D10		INC. 25-46						
019	142066-5	MOTOR COMPLETE		1				
020	643860-3	TERMINAL		1				
021	632A61-4	CONTROLLER UNIT		1				
C10	688172-7	LINE FILTER		1				
022	650632-9	SWITCH		1				
023	451162-1	LOCK LEVER		1				
024	187618-5	HOUSING SET		1				
C10	263005-3	RUBBER PIN 6		2				
D10		INC. 10						
025	961011-9	STOP RING E-4		1				
026	267465-1	FLAT WASHER 5		1				
027	227311-0	SPUR GEAR 19B		3				
028	227309-7	INTERNAL GEAR 48		1				
029	454220-2	SPACER		1				
030	213768-1	OIL SEAL 30		1				
031	211294-4	BALL BEARING 6806LLU		1				
032	141860-2	CARRIER A COMPLETE		1				

Mallinumero DCG180 CORDLESS CAULKING GUN

Sivu 2 / 2

Nimike	Osanumero	Kuvaus	I/C nu	MÄÄRÄ	N/O	Opt. 1	Opt. 2	HUOMAUTUS
033	313253-5	CARRIER B		1				
034	256255-7	PIN 3		9				
035	227312-8	SPUR GEAR 10		1				
036	211482-3	BALL BEARING 6803LLU		1				
037	454219-7	GEAR HOUSING		1				
038	313257-7	MAGNET		1				
039	141859-7	SPUR GEAR 9C COMPLETE		1				
040	227309-7	INTERNAL GEAR 48		1				
041	227310-2	SPUR GEAR 19A		3				
042	141858-9	SPUR GEAR 9B COMPLETE		1				
043	227310-2	SPUR GEAR 19A		3				
044	267466-9	FLAT WASHER 12		1				
045	266429-2	TAPPING SCREW 3X16		3				
046	346721-3	PLATE 23		1				
047	234315-5	COMPRESSION SPRING 6		1				
048E	318958-2	HOLDER JOINT B		1				
048F	318958-2	HOLDER JOINT B		1				
A01	195246-2	SAFETY GOGGLE		1				
A02E	123221-8	PISTON C ASSEMBLY		1				
A02F	123221-8	PISTON C ASSEMBLY		1				
A02G	***DC18RC	DC18RC FAST CHARGER		1				
A03E	142071-2	PISTON A COMPLETE		1				
A03F	142071-2	PISTON A COMPLETE		1				
A03G	194204-5	BATTERY BL1830 SET		2				
A04E	266827-0	PAN HEAD SCREW M3X18 WITH WR		2				
A04F	266827-0	PAN HEAD SCREW M3X18 WITH WR		2				
A04G	821568-1	PLASTIC CASE		1				
C10	162271-8	LATCH		2				
A05E	424547-4	RUBBER RING		1				
A05F	424547-4	RUBBER RING		1				
A05G	802X73-1	DCG180RFE PLASTIC CASE LABEL		2				
A06E	454226-0	NOZZLE		3				
A06F	454226-0	NOZZLE		3				
A06G	450128-8	BATTERY COVER		1				
A07F	***DC18RC	DC18RC FAST CHARGER		1				
A08F	194204-5	BATTERY BL1830 SET		2				
A09F	821568-1	PLASTIC CASE		1				
C10	162271-8	LATCH		2				
A10F	802X74-9	DCG180RFEB PLASTIC CASE LABEL		2				
A11F	450128-8	BATTERY COVER		1				