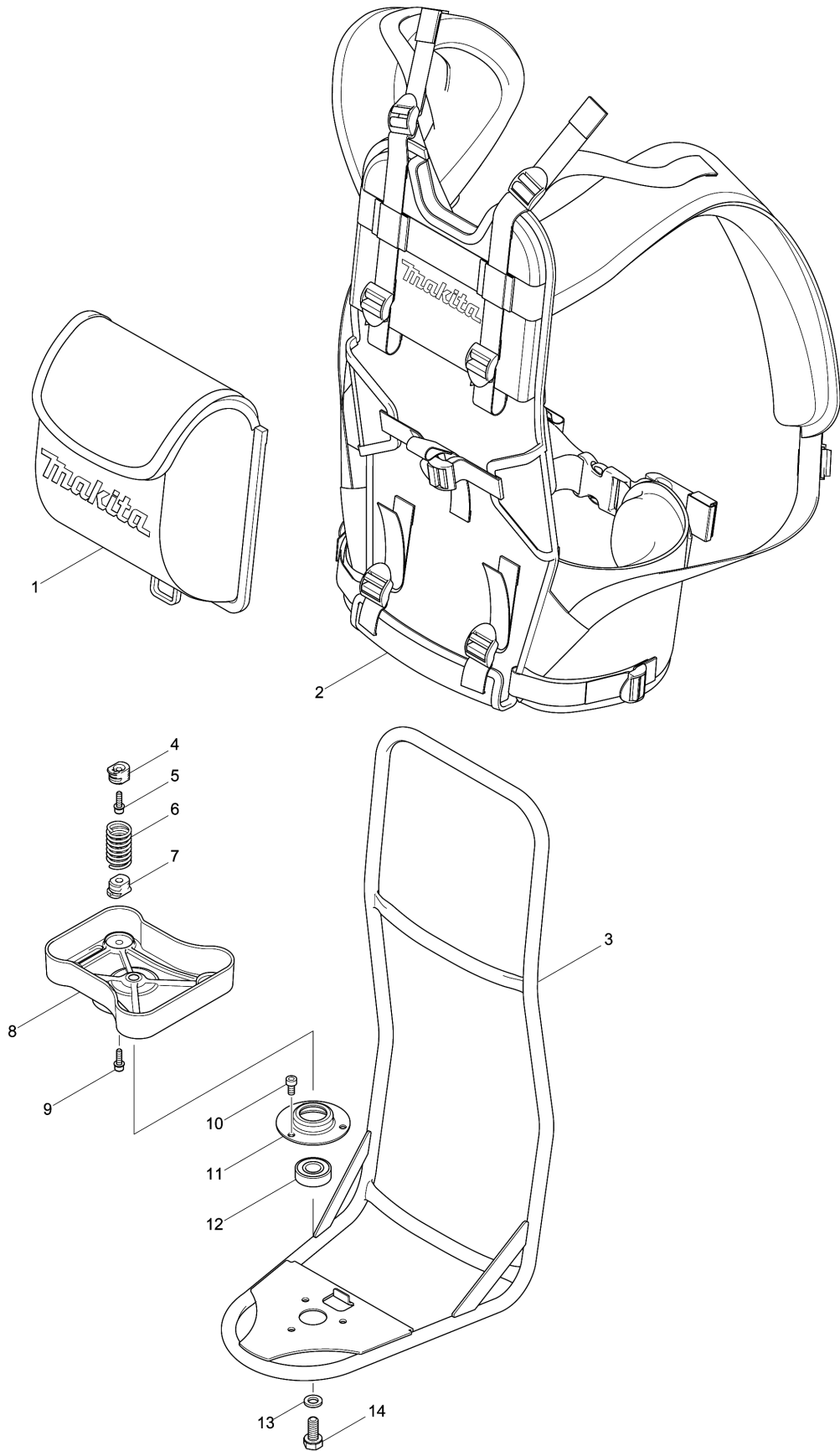
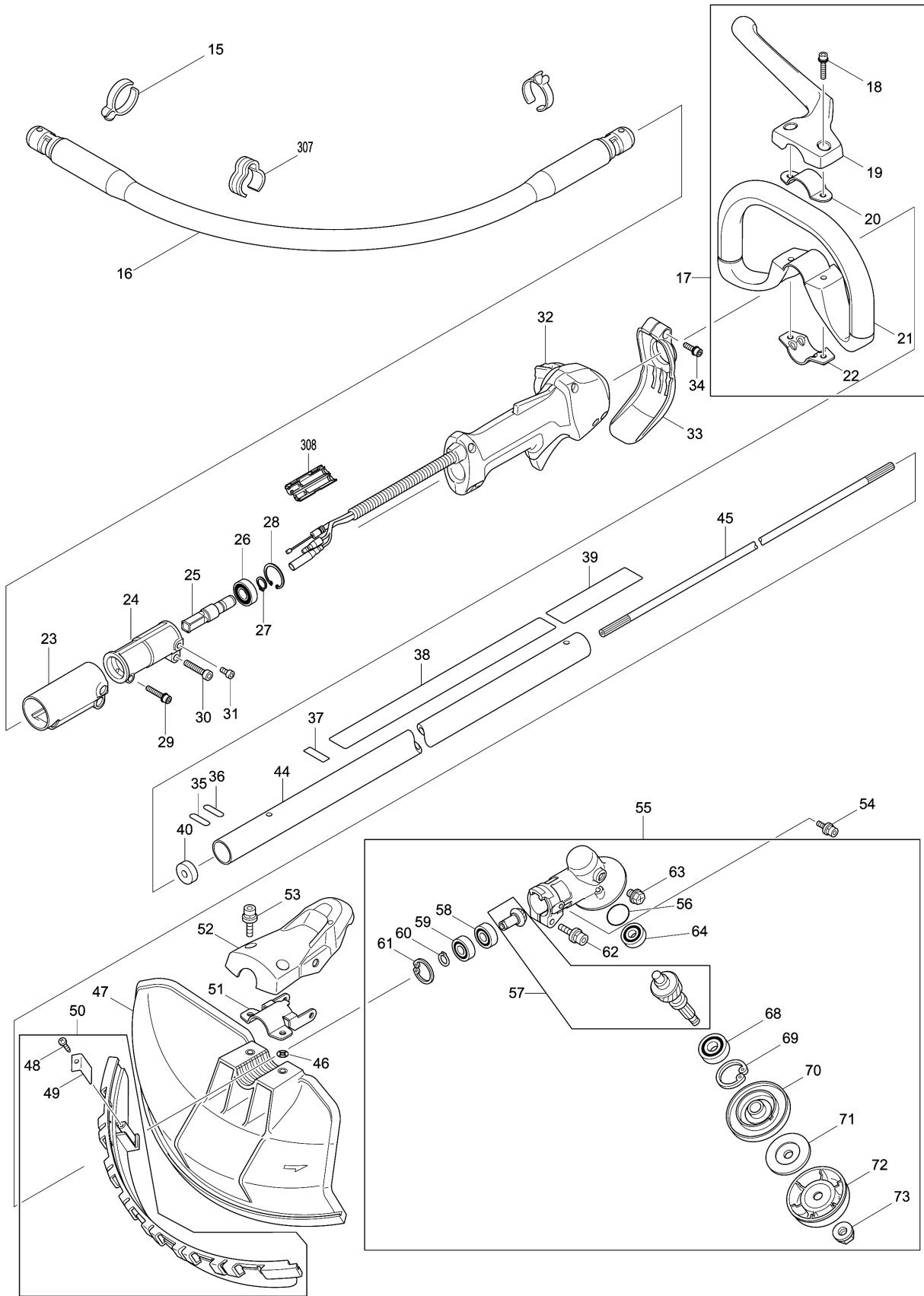


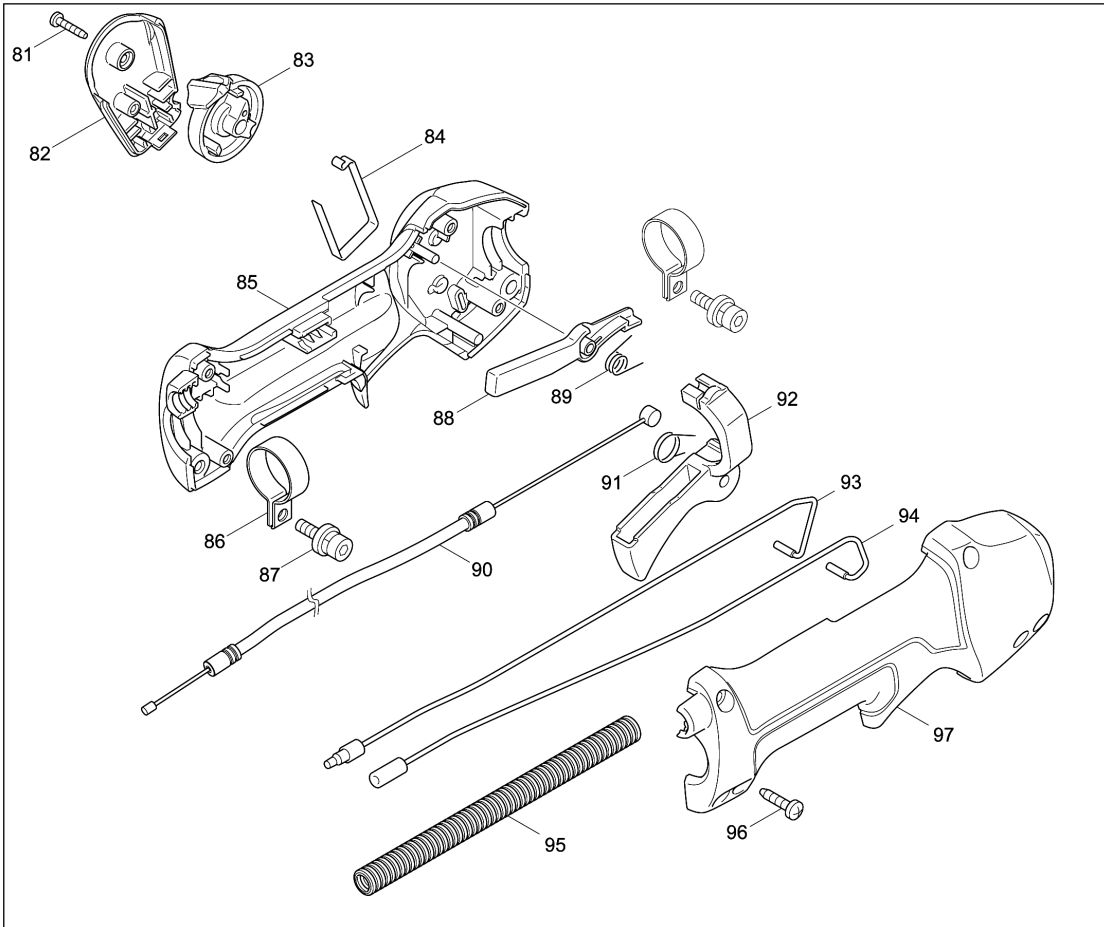
Model No.EM4350RH PETROL BACKPACK BRUSHCUTTER



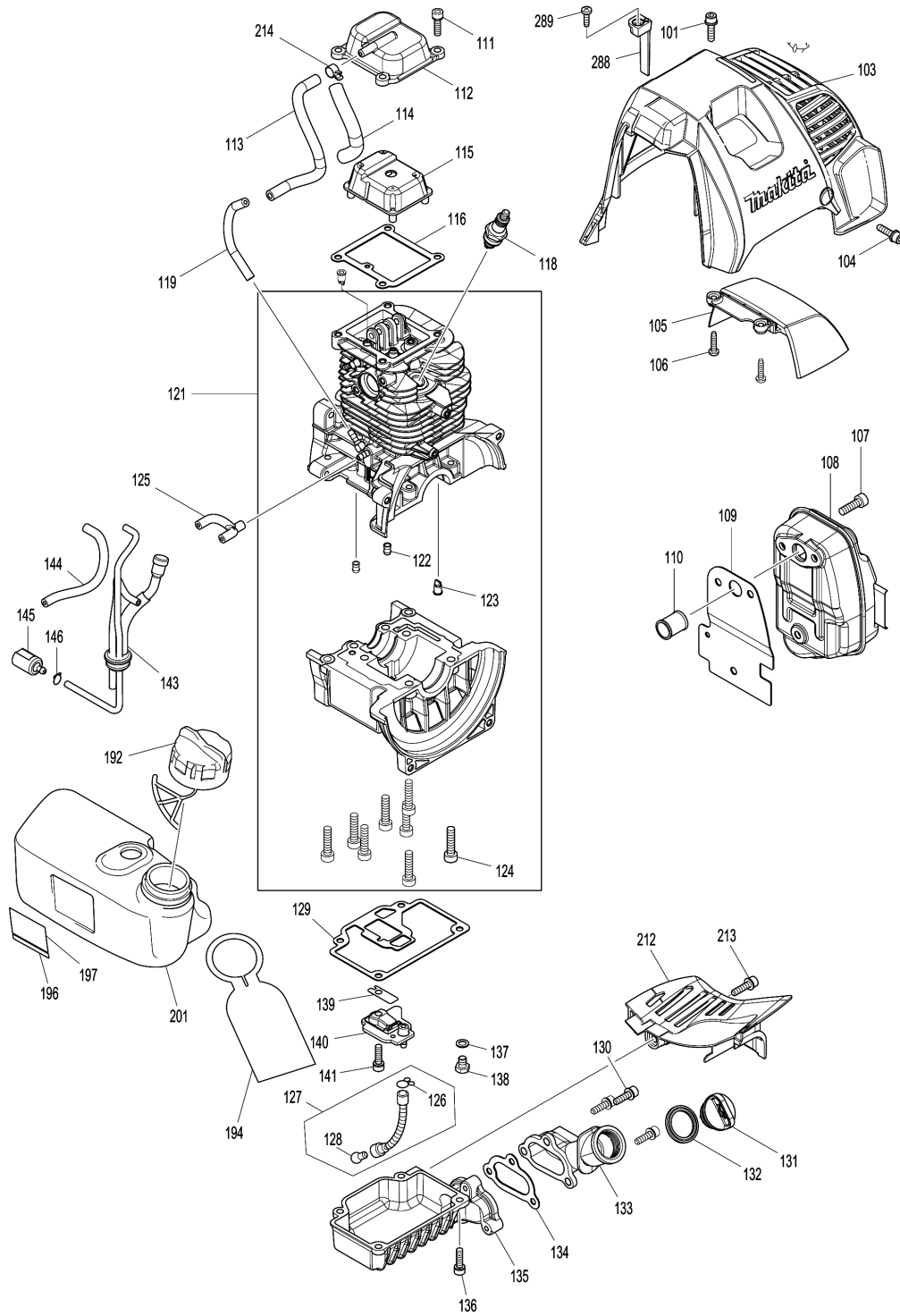
Model No.EM4350RH PETROL BACKPACK BRUSHCUTTER



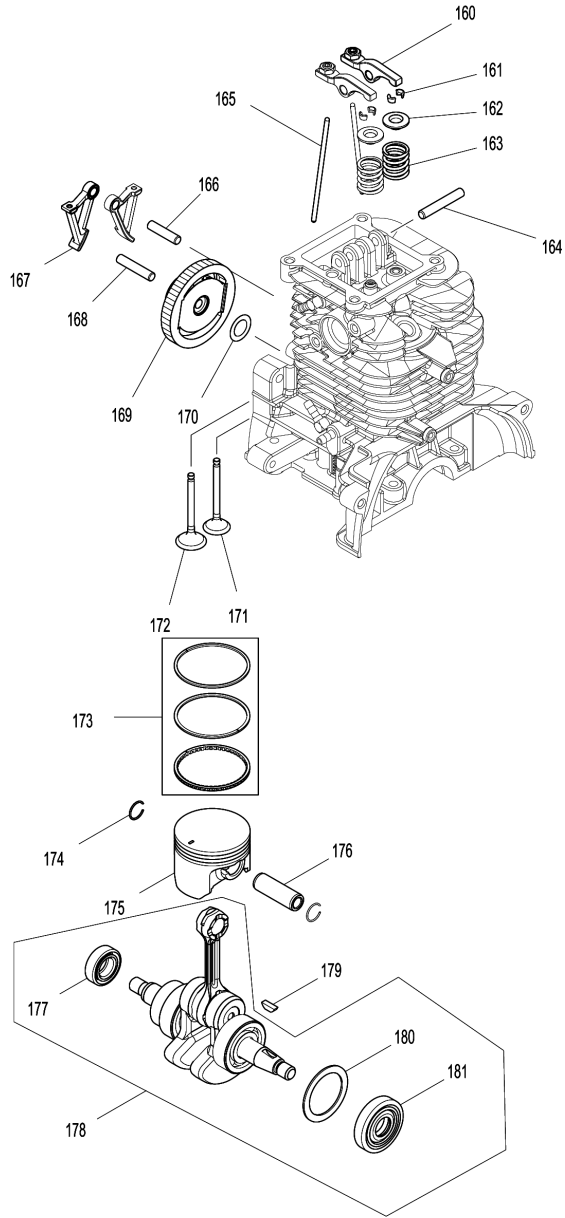
Model No.EM4350RH PETROL BACKPACK BRUSHCUTTER



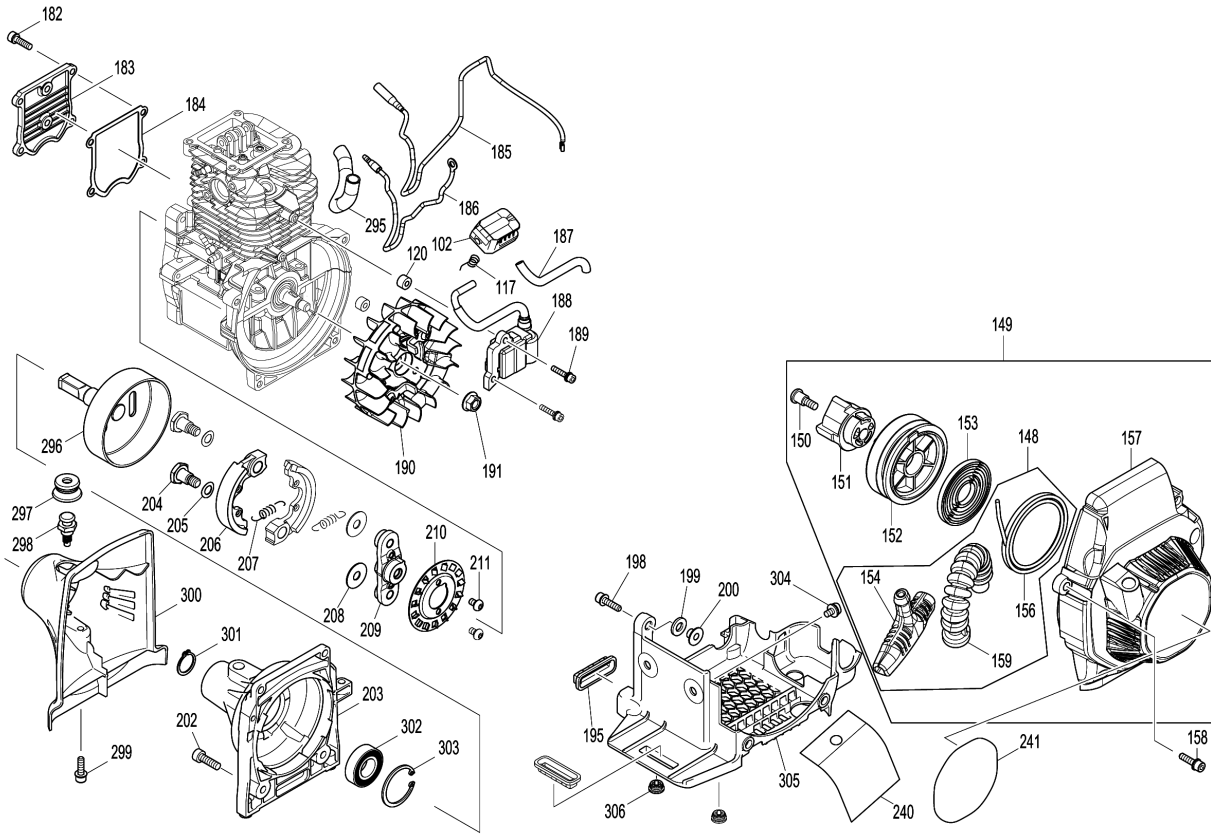
Model No.EM4350RH PETROL BACKPACK BRUSHCUTTER



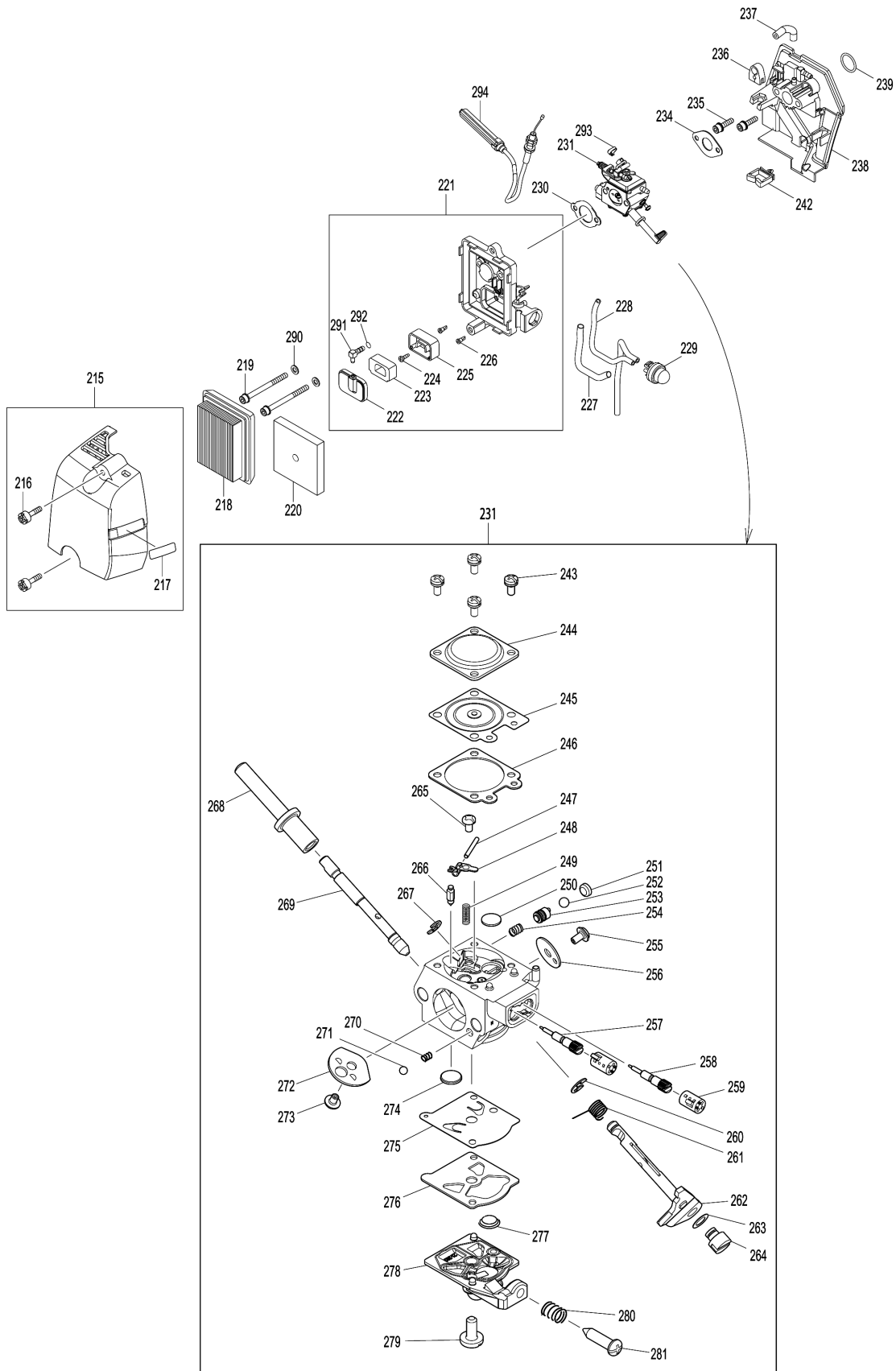
Model No.EM4350RH PETROL BACKPACK BRUSHCUTTER



Model No.EM4350RH PETROL BACKPACK BRUSHCUTTER



Model No.EM4350RH PETROL BACKPACK BRUSHCUTTER



Model No.EM4350RH PETROL BACKPACK BRUSHCUTTER

Item	Parts No.	Description	I/C	Qty	New/Old	Opt. 1	Opt. 2	Note
001	166136-6	BAG		1				
002	126513-4	BAND ASSEMBLY		1				
003	165752-1	FRAME		1				
004	455305-7	SPRING HOLDER A		4				
005	922228-9	H.S.H.BOLT M5X18 WITH WR		4				
006	234346-4	COMPRESSION SPRING 17		4				
007	455306-5	SPRING HOLDER B		4				
008	319181-2	BRACKET		1				
009	922228-9	H.S.H.BOLT M5X18 WITH WR		4				
010	922312-0	HEX. SOCKET HEAD BOLT M6X12		3				
011	346816-2	BEARING BOX		1				
012	211220-3	BALL BEARING 6202ZZ		1				
013	941251-5	FLAT WASHER 10		1				
014	921541-2	HEX. BOLT M10X25		1				
015	417764-3	HOLDER 10-33		2				
016	126510-0	FLEXIBLE SHAFT ASSEMBLY		1				
C10	326447-3	FLEXIBLE SHAFT		1				
017	196897-4	LOOP HANDLE SET		1				
D10		INC. 18-22						
018	922244-1	H.S.H.BOLT M5X25 WITH WG		2				
019	455316-2	CLAMP COVER		1				
020	346468-9	CLAMP 33		1				
021	455315-4	LOOP HANDLE		1				
022	346817-0	CLAMP 28		1				
023	424646-2	PIPE HOLDER COVER		1				
024	319182-0	PIPE HOLDER		1				
025	326436-8	SPINDLE		1				
026	211148-5	BALL BEARING 6001ZZ		1				
027	961052-5	RETAINING RING S-12		1				
028	962106-1	RETAINING RING R-28		1				
029	922248-3	H.S.H.BOLT M5X28 WITH WR		1				
030	922352-8	HEX. SOCKET HEAD BOLT M6X30		1				
031	922212-4	HEX. SOCKET HEAD BOLT M5X12		1				
032	126512-6	CONTROL LEVER ASSEMBLY		1				
D10		INC. 81-97						
033	455304-9	GUARD		1				
034	922228-9	H.S.H.BOLT M5X18 WITH WR		1				
035	808723-2	CAUTION LABEL		1				
036	808723-2	CAUTION LABEL		1				
037	801D19-4	SERIAL NO. LABEL		1				
038	804R40-6	CAUTION LABEL		1				

Please order the parts with part number.

Print Date 30/3/2020

Model No.EM4350RH PETROL BACKPACK BRUSHCUTTER

Item	Parts No.	Description	I/C	Qty	New/Old	Opt. 1	Opt. 2	Note
039	819312-8	MAKITA LOGO LABEL		1				
040	443146-3	FELT RING 8		1				
044	142838-8	SHAFT PIPE COMPLETE		1				
045	326574-6	SHAFT		1				
046	413143-3	WASHER		2				
047	452259-9	PROTECTOR		1				
048	266326-2	TAPPING SCREW 4X18		1				
049	346074-0	CUTTER		1				
050	135398-7	PROTECTOR EXTENSION ASSY		1				
D10		INC. 48,49						
051	346072-4	PROTECTOR CLAMP		1				
052	451090-0	PROTECTOR COVER		1				
053	266579-3	HEX SOCKET HEAD BOLT M6X30		2				
054	266865-2	H.S.H.BOLT M5X14 WITH WR		2				
055	126310-8	GEAR CASE ASSEMBLY		1	*			
D10		INC. 56-64,68-73			*			
055-1	123835-3	GEAR CASE ASSEMBLY	S	1				
D10		INC. 56-64,68-73						
056	213459-4	O RING 32		1	*			
057	187644-4	CUTTER SHAFT SET		1	*			
057-1	183K07-8	CUTTER SHAFT SET	O	1				
058	211064-1	BALL BEARING 6000		1	*			
058-1	210161-0	BALL BEARING 6000	>	1				
059	211062-5	BALL BEARING 6000ZZ		1	*			
059-1	210160-2	BALL BEARING 6000ZZ	>	1				
060	961006-2	RETAINING RING S-10		1	*			
060-1	257408-1	RETAINING RING(EXT) S-10	O	1				
061	962105-3	RETAINING RING R-26		1	*			
061-1	257988-7	RETAINING RING (INT) R-26	O	1				
062	922353-6	HEX.SOCKET HEAD BOLT M6X30		1				
063	265590-2	+HEX.BOLT M8X10 WITH R		1				
064	210081-8	BALL BEARING 629ZZ		1	*			
064-1	210159-7	BALL BEARING 629ZZ	>	1				
068	210116-5	BALL BEARING 6201LLU		1				
069	962151-6	RETAINING RING R-32		1	*			
069-1	257409-9	RETAINING RING(INT) R-32	O	1				
070	332114-0	RECEIVE WASHER		1	*			
070-1	326823-1	RECEIVE WASHER	O	1				
071	346355-2	CLAMP WASHER		1				
072	168526-9	CUP		1				
073	264025-0	HEX. NUT M10-17		1				

Please order the parts with part number.

Print Date 30/3/2020

Model No.EM4350RH PETROL BACKPACK BRUSHCUTTER

Item	Parts No.	Description	I/C	Qty	New/Old	Opt. 1	Opt. 2	Note
081	266130-9	TAPPING SCREW BIND PT 3X16		1				
082	451595-0	SWITCH COVER		1				
083	451594-2	SWITCH LEVER		1				
084	232251-9	LEAF SPRING		1				
085	188831-8	LEVER CASE SET		1				
C10	252870-5	INSERT NUT M5-7		2				
D10		INC. 97						
086	346249-1	PIPE CLAMP 28		2				
087	922218-2	H.S.H.BOLT M5X14 WITH WR		2				
088	451593-4	LOCK LEVER		1				
089	233541-3	TORSION SPRING 7		1				
090	168871-2	CONTROL CABLE		1				
091	233540-5	TORSION SPRING 11		1				
092	451592-6	THROTTLE LEVER		1				
093	632D64-6	LEAD UNIT		1				
094	632D65-4	LEAD UNIT		1				
095	455311-2	CORRUGATE TUBE		1				
096	266326-2	TAPPING SCREW 4X18		4				
097	188831-8	LEVER CASE SET		1				
C10	252870-5	INSERT NUT M5-7		2				
D10		INC. 85						
101	922233-6	H.S.H.BOLT M5X20 WITH WR		1				
102	424302-4	PLUG CAP		1				
103	455103-9	CYLINDER COVER		1				
104	922233-6	H.S.H.BOLT M5X20 WITH WR		1				
105	453536-2	MUFFLER COVER		1				
106	265995-6	TAPPING SCREW 4X18		2				
107	922332-4	HEX. SOCKET HEAD BOLT M6X20		3				
108	168715-6	EXHAUST MUFFLER		1				
109	346574-0	MUFFLER GASKET		1				
110	331987-8	EXHAUST PORT SPACER		1				
111	922226-3	HEX. SOCKET HEAD BOLT M5X18		4				
112	318850-2	ROCKER COVER OUTER		1				
113	422091-5	TUBE 5-160		1				
114	454424-6	CORRUGATE TUBE		1				
115	453529-9	ROCKER COVER INNER		1				
116	162335-8	ROCKER COVER GASKET		1				
117	324891-8	PLUG CAP SPRING		1				
118	168401-9	SPARK PLUG		1				
119	422090-7	TUBE 3-85		1				
120	452049-0	SPACER		2				

Please order the parts with part number.

Print Date 30/3/2020

Model No.EM4350RH PETROL BACKPACK BRUSHCUTTER

Item	Parts No.	Description	I/C	Qty	New/Old	Opt. 1	Opt. 2	Note
121	197493-1	CYLINDER BLOCK ASSEMBLY SET		1				
D10		INC. 122-124						
122	424200-2	SPACER		2				
123	424201-0	CHECK VALVE		2				
124	922342-1	HEX. SOCKET HEAD BOLT M6X25		8	*			
124-1	266087-4	HEX.BOLT M6X25	<	8				
125	422099-9	PIPE		1				
126	282020-8	HOSE CLAMP		1	*			
126-1	282020-8	HOSE CLAMP	O	1				
127	424301-6	OIL TUBE		1	*			
127-1	125805-8	OIL TUBE ASSEMBLY	S	1				
C10	424301-6	OIL TUBE		1				
D10		INC. 126,128						
128	325666-8	OIL WEIGHT		1	*			
128-1	325666-8	OIL WEIGHT	O	1				
129	162337-4	OIL CASE GASKET		1				
130	266760-6	H.S.H.BOLT M5X18 WITH WRM		3				
131	452047-4	OIL CAP		1				
132	424343-0	GASKET		1				
133	453538-8	OIL PIPE		1				
134	162338-2	OIL PIPE GASKET		1				
135	318854-4	OIL CASE		1				
136	922226-3	HEX. SOCKET HEAD BOLT M5X18		4				
137	346305-7	GASKET		1				
138	266611-3	HEX BOLT M6X8		1				
139	346398-4	LEAD VALVE		1				
140	135638-3	RETAINER PLATE ASS'Y		1				
141	922226-3	HEX. SOCKET HEAD BOLT M5X18		1				
143	168876-2	TUBE COMPLETE		1				
144	412129-4	TUBE 3-105		1				
145	163518-3	GASOLINE FILTER		1				
146	282020-8	HOSE CLAMP		1				
148	SG00000030	ROPE ASSEMBLY		1	*			
D10		INC. 154,156,159			*			
148-1	123632-7	ROPE ASSEMBLY	O	1				
D10		INC. 154,156,159						
149	126524-9	STARTER COVER ASSEMBLY		1				
D10		INC. 148,150-153,157						
150	SG00000029	SCREW 6X12		1				
151	455433-8	CAM PLATE		1				

Model No.EM4350RH PETROL BACKPACK BRUSHCUTTER

Item	Parts No.	Description	I/C	Qty	New/Old	Opt. 1	Opt. 2	Note
152	SG00000028	REEL COMPLETE		1				
153	232262-4	SPIRAL SPRING		1	*			
153-1	SG00000014	SPIRAL SPRING	O	1				
154	454522-6	STARTER GRIP		1				
156	SG00000031	STARTER ROPE		1				
157	455423-1	STARTER COVER		1				
158	922233-6	H.S.H.BOLT M5X20 WITH WR		4				
159	424673-9	GUARD		1				
160	126116-4	ROCKER ARM ASSEMBLY		2				
161	331990-9	COTTER		4				
162	331991-7	RETAINER		2				
163	234238-7	COMPRESSION SPRING 11		2				
164	256200-2	PIN 5		1				
165	256866-8	ROD 2.5		2				
166	268238-5	PIN 5		1				
167	313236-5	CAM LIFTER		2				
168	256186-0	PIN 5		1				
169	126571-0	CAMGEAR ASSEMBLY		1				
170	261127-3	TEFLON WASHER 10		1				
171	326498-6	EXHAUST VALVE		1	*			
171-1	326575-4	EXHAUST VALVE	<	1				
172	326157-2	INTAKE VALVE		1				
173	196667-1	PISTON RING SET		1				
174	233983-1	CLIP		2				
175	318853-6	PISTON		1	*			
175-1	197455-9	PISTON SET	<	1				
C10	318853-6	PISTON		1				
D10		INC. 173,174						
176	268285-6	PISTON PIN		1				
177	213685-5	OIL SEAL 12		1				
178	126121-1	CRANK SHAFT ASSEMBLY		1				
D10		INC. 177,180,181						
179	254040-2	WOODRUFF KEY 3		1				
180	267425-3	FLAT WASHER 26		1				
181	213537-0	OIL SEAL 12		1				
182	266086-6	HEX. SOCKET HEAD BOLT M5X16		4				
183	318856-0	CAM GEAR COVER		1				
184	162334-0	CAM GEAR COVER GASKET		1				
185	632D66-2	LEAD UNIT		1				
186	632D67-0	LEAD UNIT		1				
187	444021-6	TUBE		1				
188	168714-8	IGNITION COIL		1				

Please order the parts with part number.

Print Date 30/3/2020

Model No.EM4350RH PETROL BACKPACK BRUSHCUTTER

Item	Parts No.	Description	I/C	Qty	New/Old	Opt. 1	Opt. 2	Note
189	266602-4	HEX. SOCKET HEAD BOLT M4X20		2				
190	126122-9	FLYWHEEL COMPLETE		1				
191	264039-9	CONED DISK SPRING HEXNUT M8-13		1				
192	125728-0	FUEL TANK CAP ASSEMBLY		1				
194	810455-9	CAUTION PLATE		1				
195	424081-4	BUFFER RUBBER		2				
196	805F09-1	SERIAL NO. LABEL		1				
197	850H45-4	A.LABEL FOR E.GAS REGULATIONS		1	*			
198	922233-6	H.S.H.BOLT M5X20 WITH WR		1				
199	261152-4	RUBBER WASHER 8		1				
200	331988-6	SPACER		1				
201	455308-1	FUEL TANK		1				
202	922332-4	HEX. SOCKET HEAD BOLT M6X20		4				
203	319180-4	CLUTCH CASE		1				
204	266597-1	SHOULDER HEX. BOLT M8		2				
205	267832-0	WAVE WASHER 10		2				
206	313238-1	CLUTCH SHOE		2				
207	231880-5	TENSION SPRING 5		2	*			
207-1	232290-9	TENSION SPRING 6	<	2				
208	267428-7	FLAT WASHER 8		2				
209	313239-9	CLUTCH BASE		1				
210	346576-6	FAN PLATE		1				
211	266461-6	H.S.BUTTON HEAD SCREW M5X8		2				
212	453530-4	MUFFLER PLATE		1				
213	266760-6	H.S.H.BOLT M5X18 WITH WRM		1				
214	345918-1	HOSE CLAMP		1				
215	126523-1	CLEANER COVER ASSEMBLY		1				
D10		INC. 216,217						
216	266743-6	HEX.SOCKET HEAD BOLT M5X20		2				
217	898844-8	INDICATION LABEL		1				
218	442181-8	AIR CLEANER ELEMENT		1				
219	266601-6	HEX. SOCKET HEAD BOLT M5X60		2				
220	443196-8	AIR CLEANER ELEMENT		1				
221	126563-9	CLEANER PLATE ASSEMBLY		1				
D10		INC. 222-226,291,292						
222	162371-4	SEPARATOR PLATE		1				
223	352020-3	SEPARATOR MESH		1				
224	266007-8	TAPPING SCREW BIND PT 3X10		1				
225	453865-3	SEPARATOR CASE		1				

Please order the parts with part number.

Print Date 30/3/2020

Model No.EM4350RH PETROL BACKPACK BRUSHCUTTER

Item	Parts No.	Description	I/C	Qty	New/Old	Opt. 1	Opt. 2	Note
226	424316-3	CHECK VALVE		2				
227	454425-4	SPIRAL TUBE 6-100		2				
228	422074-5	TUBE 3-120		1				
229	168398-2	PRIMER PUMP		1				
230	442196-5	CARBURETOR GASKET		1				
231	126561-3	CARBURETOR ASSEMBLY		1				
D10		INC. 243-281						
234	442197-3	CARBURETOR GASKET		1				
235	266814-9	HEX SOCKET HEAD BOLT M5X20		2				
236	424489-2	GROMMET		1				
237	422080-0	TUBE 3-35		1				
238	142851-6	INSULATOR COMPLETE		1				
239	213642-3	O-RING 18		1				
240	819430-2	CAUTION TAG		1				
241	804R41-4	EM4350RH MODEL NO. LABEL		1				
242	451825-9	CLAMP		1				
243	WJ00096589	SCREW ASSEMBLY		1				
244	WJ00021158	METERING DIAPHRAGM COVER		1				
245	168620-7	METERING DIAPHRAGM		1				
246	442183-4	METERING DIAPHRAGM GASKET		1				
247	WJ00014477	METERING LEVER PIN		1				
248	WJ00016648	LEVER		1				
249	WJ00983248	SPRING		1				
250	5416036160	PLUG-WELCH		1				
251	WJ00088229	CUP PLUG		1				
252	5806084330	STEEL BALL		1				
253	WJ00160593	ACCELERATOR PISTON ASSEMBLY		1				
254	WJ00983305	SPRING		1				
255	WJ00963240	SCREW		1				
256	WJ00343562	THROTTLE VALVE		1				
257	WJ01023345	HIGH SPEED NEEDLE		1				
258	WJ01023344	IDLE NEEDLE		1				
259	WJ00025162	LIMITER CAP		2				
260	257964-1	STOP RING E-3		1				
261	WJ00098494	SPRING		1				
262	WJ00224392	THROTTLE SHAFT ASSEMBLY		1				
263	413140-9	WASHER		1				
264	5246001210	SWIVEL		1				
265	5016004110	SCREW		1				
266	WJ00008282	INLET NEEDLE VALVE		1				

Model No.EM4350RH PETROL BACKPACK BRUSHCUTTER

Item	Parts No.	Description	I/C	Qty	New/Old	Opt. 1	Opt. 2	Note
267	WJ00001673	RETAINING RING		1				
268	WJ00183585	CHOKE LEVER		1				
269	WJ00044456	CHOKE SHAFT		1				
270	5806122210	SPRING		1				
271	5806122220	BALL		1				
272	WJ00343175	CHOKE VALVE		1				
273	WJ00096475	SCREW		1				
274	352010-6	INLET SCREEN		1	*			
274-1	WJ00014070	INLET SCREEN	O	1				
275	WJ00009589	PUMP DIAPHRAGM		1				
276	5016004040	GASKET		1	*			
276-1	WJ00092228	GASKET	O	1				
277	234183-6	CONICAL COMPRESSION SPRING 5-9		1				
278	WJ00213867	PUMP COVER ASSEMBLY		1				
279	WJ00096166	SCREW		1				
280	5416036120	SPRING		1				
281	5416036130	SCREW-IDLE ADJ.		1				
288	455102-1	CHANGE PLATE		1				
289	266385-6	TAPPING SCREW 4X14		1				
290	267485-5	FLAT WASHER 5		2				
291	168719-8	JOINT PIPE		1				
292	213021-5	O RING 5		1				
293	286284-6	CAP		1				
294	168872-0	CONTROL CABLE		1				
295	455317-0	CORRUGATE TUBE		1				
296	168857-6	CLUTCH DRUM		1				
297	424659-3	KNOB COVER		1				
298	168873-8	KNOB BOLT COMPLETE		1				
299	922228-9	H.S.H.BOLT M5X18 WITH WR		1				
300	455307-3	CLUTCH CASE COVER		1				
301	961057-5	RETAINING RING S-17		1				
302	211338-0	BALL BEARINNG 6003LLU		1				
303	962153-2	RETAINING RING R-35		1				
304	911209-8	PAN HEAD SCREW M5X10		2				
305	455310-4	UNDER COVER		1				
306	424556-3	FILTER CAP		2				
307	455588-9	WIRE CLAMP		1				
308	455934-6	CONNECTOR CASE		1				
309	922353-6	HEX.SOCKET HEAD BOLT M6X30	S	1				
A01	197030-1	TRIMMER HEAD 130-M10L SET M		1				
A02	242072-1	OIL BOTTLE		1				

Please order the parts with part number.

Print Date 30/3/2020

Model No.EM4350RH PETROL BACKPACK BRUSHCUTTER

Item	Parts No.	Description	I/C	Qty	New/Old	Opt. 1	Opt. 2	Note
A03	782233-6	BOX DRIVER 10-16		1				
A04	782238-6	BOX WRENCH 17		1				
A05	783219-3	HEX. WRENCH 4		1				
A06	783232-1	HEX. WRENCH 5		1				
A07	450573-7	TOOL COVER		2	*			
A07-1	456924-2	TOOL COVER	O	1				
A08	B-14124	STAR BLADE 255X4TX25.4		1				
A09	831304-7	ACCESSORY BAG		1				

Please order the parts with part number.

Print Date 30/3/2020