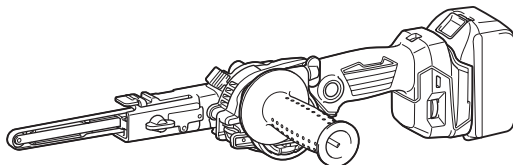




EN	Cordless Belt Sander	INSTRUCTION MANUAL	5
SL	Brezžični tračni brusilnik	NAVODILA ZA UPORABO	10
SQ	Smerilues me rrip me bateri	MANUALI I PËRDORIMIT	15
BG	Акумулаторна лентова шлайфмашина	РЪКОВОДСТВО ЗА ЕКСПЛОАТАЦИЯ	21
HR	Bežična tračna brusilica	PRIRUČNIK S UPUTAMA	27
MK	Безжична шмиргла-појас	УПАТСТВО ЗА УПОТРЕБА	32
SR	Бежична тракаста брусилца	УПУТСТВО ЗА УПОТРЕБУ	38
RO	Mașină de șlefuit cu bandă cu acumulator	MANUAL DE INSTRUCȚIUNI	44
UK	Акумуляторна стрічкова шліфувальна машина	ІНСТРУКЦІЯ З ЕКСПЛУАТАЦІЇ	50
RU	Аккумуляторная ленточная шлифовальная машина	РУКОВОДСТВО ПО ЭКСПЛУАТАЦИИ	56

DBS180



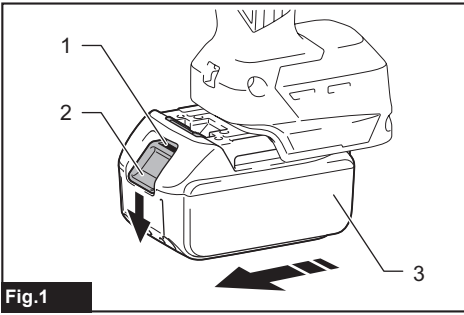


Fig.1

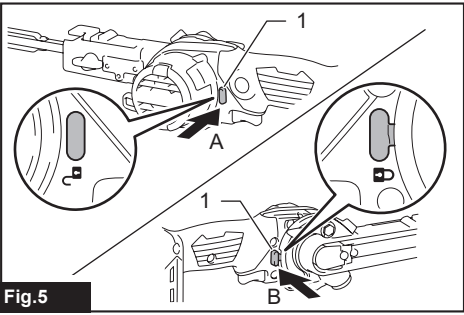


Fig.5

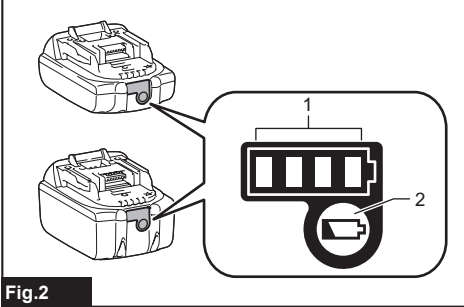


Fig.2

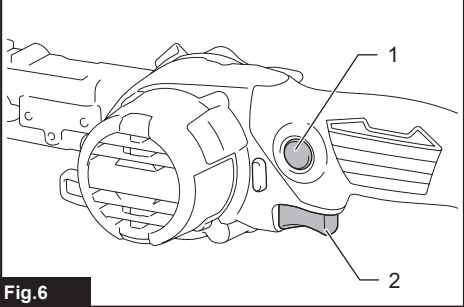


Fig.6

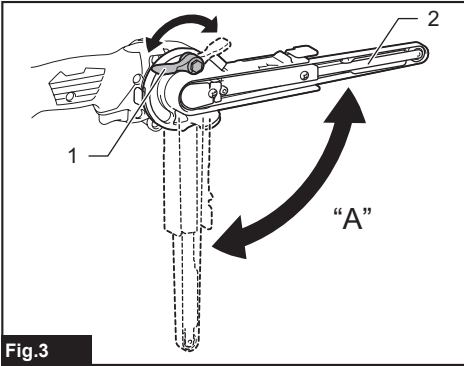


Fig.3

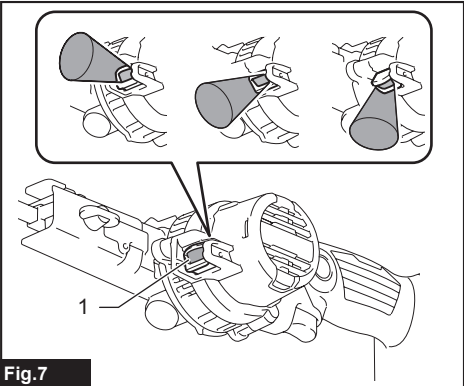


Fig.7

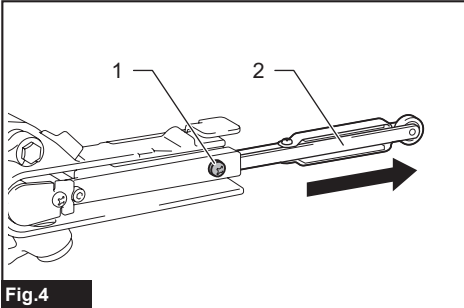


Fig.4

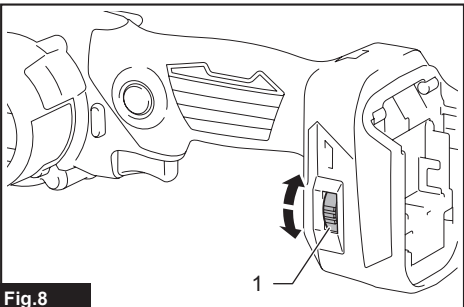


Fig.8

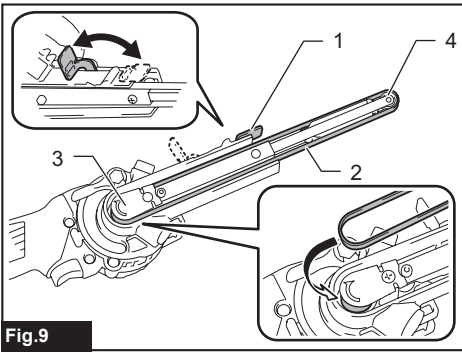


Fig.9

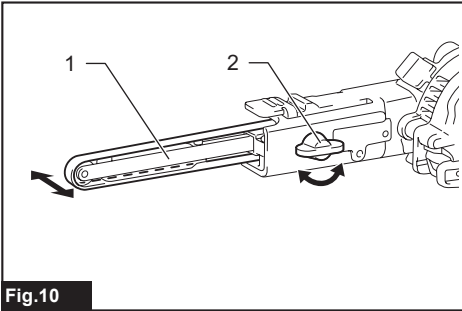


Fig.10

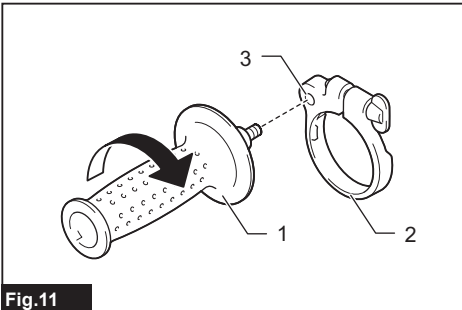


Fig.11

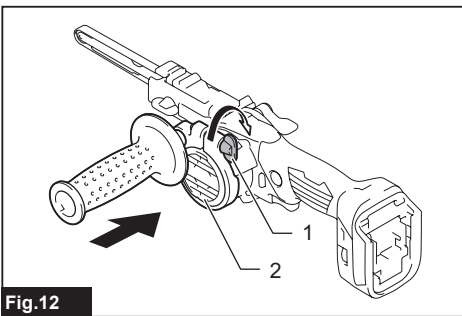


Fig.12

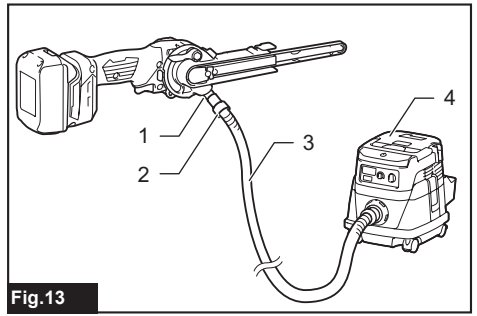


Fig.13

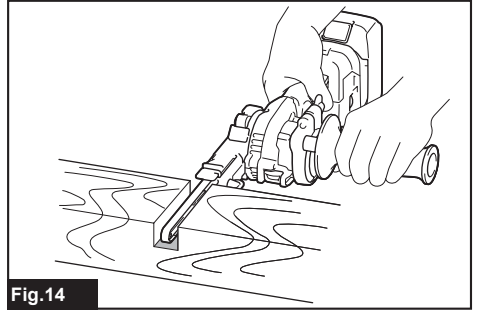


Fig.14

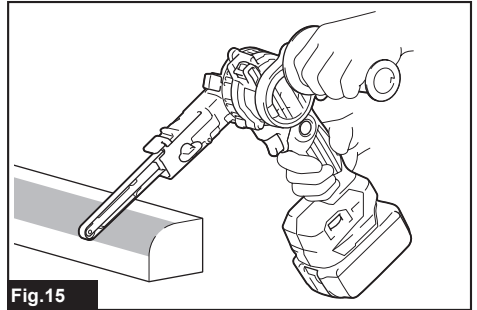


Fig.15

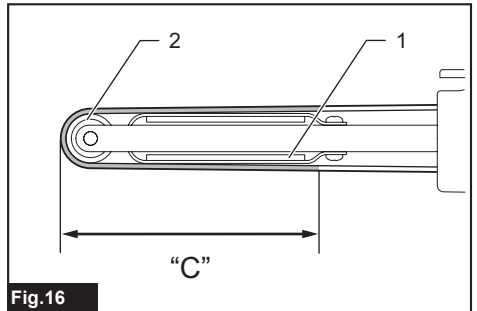


Fig.16

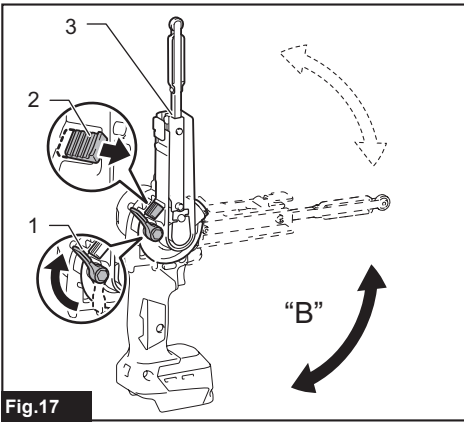


Fig.17

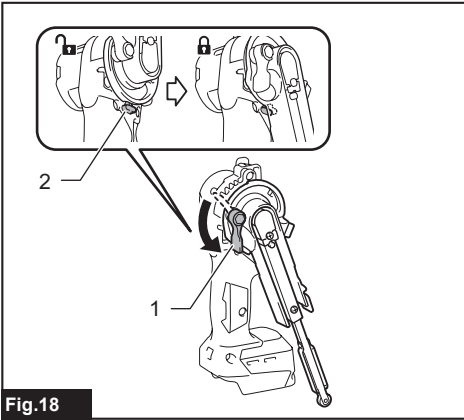


Fig.18

SPECIFICATIONS

Model:	DBS180
Belt size	9 mm x 533 mm
Belt speed	600 - 1,700 m/min
Overall length	500 mm *1
Rated voltage	D.C. 18 V
Net weight	2.1 kg

*1. With abrasive belt and battery cartridge (BL1860B).

- Due to our continuing program of research and development, the specifications herein are subject to change without notice.
- Specifications may differ from country to country.
- Weight, with battery cartridge, according to EPTA-Procedure 01/2014

Applicable battery cartridge and charger

Battery cartridge	BL1815N / BL1820 / BL1820B / BL1830 / BL1830B / BL1840 / BL1840B / BL1850 / BL1850B / BL1860B
Charger	DC18RC / DC18RD / DC18RE / DC18SD / DC18SE / DC18SF / DC18SH

- Some of the battery cartridges and chargers listed above may not be available depending on your region of residence.

⚠WARNING: Only use the battery cartridges and chargers listed above. Use of any other battery cartridges and chargers may cause injury and/or fire.

Intended use

The tool is intended for the sanding of large surface of wood, plastic and metal materials as well as painted surfaces.

Noise

The typical A-weighted noise level determined according to EN62841-2-4:

Sound pressure level (L_{pA}) : 77 dB(A)

Uncertainty (K) : 3 dB(A)

NOTE: The declared noise emission value(s) has been measured in accordance with a standard test method and may be used for comparing one tool with another.

NOTE: The declared noise emission value(s) may also be used in a preliminary assessment of exposure.

⚠WARNING: Wear ear protection.

⚠WARNING: The noise emission during actual use of the power tool can differ from the declared value(s) depending on the ways in which the tool is used especially what kind of workpiece is processed.

⚠WARNING: Be sure to identify safety measures to protect the operator that are based on an estimation of exposure in the actual conditions of use (taking account of all parts of the operating cycle such as the times when the tool is switched off and when it is running idle in addition to the trigger time).

Vibration

The vibration total value (tri-axial vector sum) determined according to EN62841-2-4:

Work mode: sanding metal plate

Vibration emission (a_h) : 2.5 m/s² or less

Uncertainty (K) : 1.5 m/s²

NOTE: The declared vibration total value(s) has been measured in accordance with a standard test method and may be used for comparing one tool with another.

NOTE: The declared vibration total value(s) may also be used in a preliminary assessment of exposure.

⚠WARNING: The vibration emission during actual use of the power tool can differ from the declared value(s) depending on the ways in which the tool is used especially what kind of workpiece is processed.

⚠WARNING: Be sure to identify safety measures to protect the operator that are based on an estimation of exposure in the actual conditions of use (taking account of all parts of the operating cycle such as the times when the tool is switched off and when it is running idle in addition to the trigger time).

EC Declaration of Conformity

For European countries only

The EC declaration of conformity is included as Annex A to this instruction manual.

SAFETY WARNINGS

General power tool safety warnings

⚠ WARNING: Read all safety warnings, instructions, illustrations and specifications provided with this power tool. Failure to follow all instructions listed below may result in electric shock, fire and/or serious injury.

Save all warnings and instructions for future reference.

The term "power tool" in the warnings refers to your mains-operated (corded) power tool or battery-operated (cordless) power tool.

CORDLESS BELT SANDER SAFETY WARNINGS

1. Ventilate your work area adequately when you perform sanding operations.
2. Some material contains chemicals which may be toxic. Take caution to prevent dust inhalation and skin contact. Follow material supplier safety data.
3. Always use the correct dust mask/respirator for the material and application you are working with.
4. Always use safety glasses or goggles. Ordinary eye or sun glasses are NOT safety glasses.
5. Hold the tool firmly with both hands.
6. Make sure the belt is not contacting the workpiece before the switch is turned on.
7. Keep hands away from rotating parts.
8. Do not leave the tool running. Operate the tool only when hand-held.
9. This tool has not been waterproofed, so do not use water on the workpiece surface.

SAVE THESE INSTRUCTIONS.

⚠ WARNING: DO NOT let comfort or familiarity with product (gained from repeated use) replace strict adherence to safety rules for the subject product. MISUSE or failure to follow the safety rules stated in this instruction manual may cause serious personal injury.

Important safety instructions for battery cartridge

1. Before using battery cartridge, read all instructions and cautionary markings on (1) battery charger, (2) battery, and (3) product using battery.
2. Do not disassemble or tamper the battery cartridge. It may result in a fire, excessive heat, or explosion.
3. If operating time has become excessively shorter, stop operating immediately. It may result in a risk of overheating, possible burns and even an explosion.
4. If electrolyte gets into your eyes, rinse them out with clear water and seek medical attention right away. It may result in loss of your eyesight.

5. Do not short the battery cartridge:
 - (1) Do not touch the terminals with any conductive material.
 - (2) Avoid storing battery cartridge in a container with other metal objects such as nails, coins, etc.
 - (3) Do not expose battery cartridge to water or rain. A battery short can cause a large current flow, overheating, possible burns and even a breakdown.
6. Do not store and use the tool and battery cartridge in locations where the temperature may reach or exceed 50 °C (122 °F).
7. Do not incinerate the battery cartridge even if it is severely damaged or is completely worn out. The battery cartridge can explode in a fire.
8. Do not nail, cut, crush, throw, drop the battery cartridge, or hit against a hard object to the battery cartridge. Such conduct may result in a fire, excessive heat, or explosion.
9. Do not use a damaged battery.
10. The contained lithium-ion batteries are subject to the Dangerous Goods Legislation requirements. For commercial transports e.g. by third parties, forwarding agents, special requirement on packaging and labeling must be observed. For preparation of the item being shipped, consulting an expert for hazardous material is required. Please also observe possibly more detailed national regulations. Tape or mask off open contacts and pack up the battery in such a manner that it cannot move around in the packaging.
11. When disposing the battery cartridge, remove it from the tool and dispose of it in a safe place. Follow your local regulations relating to disposal of battery.
12. Use the batteries only with the products specified by Makita. Installing the batteries to non-compliant products may result in a fire, excessive heat, explosion, or leak of electrolyte.
13. If the tool is not used for a long period of time, the battery must be removed from the tool.
14. During and after use, the battery cartridge may take on heat which can cause burns or low temperature burns. Pay attention to the handling of hot battery cartridges.
15. Do not touch the terminal of the tool immediately after use as it may get hot enough to cause burns.
16. Do not allow chips, dust, or soil stuck into the terminals, holes, and grooves of the battery cartridge. It may result in poor performance or breakdown of the tool or battery cartridge.
17. Unless the tool supports the use near high-voltage electrical power lines, do not use the battery cartridge near high-voltage electrical power lines. It may result in a malfunction or breakdown of the tool or battery cartridge.
18. Keep the battery away from children.

SAVE THESE INSTRUCTIONS.

⚠ CAUTION: Only use genuine Makita batteries. Use of non-genuine Makita batteries, or batteries that have been altered, may result in the battery bursting causing fires, personal injury and damage. It will also void the Makita warranty for the Makita tool and charger.

Tips for maintaining maximum battery life

1. Charge the battery cartridge before completely discharged. Always stop tool operation and charge the battery cartridge when you notice less tool power.
2. Never recharge a fully charged battery cartridge. Overcharging shortens the battery service life.
3. Charge the battery cartridge with room temperature at 10 °C - 40 °C (50 °F - 104 °F). Let a hot battery cartridge cool down before charging it.
4. When not using the battery cartridge, remove it from the tool or the charger.
5. Charge the battery cartridge if you do not use it for a long period (more than six months).

FUNCTIONAL DESCRIPTION

CAUTION: Always be sure that the tool is switched off and the battery cartridge is removed before adjusting or checking function on the tool.

Installing or removing battery cartridge

CAUTION: Always switch off the tool before installing or removing of the battery cartridge.

CAUTION: Hold the tool and the battery cartridge firmly when installing or removing battery cartridge. Failure to hold the tool and the battery cartridge firmly may cause them to slip off your hands and result in damage to the tool and battery cartridge and a personal injury.

► Fig.1: 1. Red indicator 2. Button 3. Battery cartridge

To remove the battery cartridge, slide it from the tool while sliding the button on the front of the cartridge.

To install the battery cartridge, align the tongue on the battery cartridge with the groove in the housing and slip it into place. Insert it all the way until it locks in place with a little click. If you can see the red indicator on the upper side of the button, it is not locked completely.

CAUTION: Always install the battery cartridge fully until the red indicator cannot be seen. If not, it may accidentally fall out of the tool, causing injury to you or someone around you.

CAUTION: Do not install the battery cartridge forcibly. If the cartridge does not slide in easily, it is not being inserted correctly.

Tool / battery protection system

The tool is equipped with a tool/battery protection system. This system automatically cuts off the power to extend tool and battery life. The tool will automatically stop during operation if the tool or battery is placed under one of the following conditions:

Overload protection

This protection works when the tool is operated in a manner that causes it to draw an abnormally high current. In this situation, turn the tool off and stop the application that caused the tool to become overloaded. Then turn the tool on to restart.

Overheat protection

This protection works when the tool or battery is overheated. In this situation, let the tool and battery cool before turning the tool on again.

Overdischarge protection








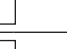






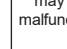
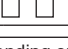

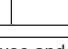
This protection works when the remaining battery capacity gets low. In this situation, remove the battery from the tool and charge the battery.

Indicating the remaining battery capacity

Only for battery cartridges with the indicator

► Fig.2: 1. Indicator lamps 2. Check button

Press the check button on the battery cartridge to indicate the remaining battery capacity. The indicator lamps light up for a few seconds.

Indicator lamps			Remaining capacity
 Lighted	 Off	 Blinking	
			75% to 100%
			50% to 75%
			25% to 50%
			0% to 25%
			Charge the battery.
			The battery may have malfunctioned.
			

NOTE: Depending on the conditions of use and the ambient temperature, the indication may differ slightly from the actual capacity.

NOTE: The first (far left) indicator lamp will blink when the battery protection system works.

Adjusting arm inclination

The arm can be pivoted and fixed at any desired angle within the range "A" (-5° to 90°) in the figure. Adjust the angle to make a comfortable working position. Loosen the lock lever by raising it. Pivot the arm to the desired position, and secure the lock lever to fix the arm firmly.

► Fig.3: 1. Lock lever 2. Arm

Replacing arm

6 mm (1/4") and 13 mm (1/2") width belts can be installed with the optional arms that are designed for the corresponding belt widths. Loosen the screw that secures the arm and replace the standard-equipped arm with the optional arm, then tighten the screw firmly.

► Fig.4: 1. Screw 2. Arm

Switch action

⚠ WARNING: For your safety, this tool is equipped with the lock-off switch which prevents the tool from unintended starting. NEVER use the tool if it runs when you simply pull the switch trigger without releasing the lock-off switch. Return the tool to our authorized service center for proper repairs BEFORE further usage.

⚠ CAUTION: Before installing the battery cartridge into the tool, always check to see that the switch trigger actuates properly and returns to the "OFF" position when released. Operating a tool with a switch that does not actuate properly can lead to loss of control and serious personal injury.

NOTICE: Do not pull the switch trigger hard without releasing the lock-off switch. This can cause switch breakage.

NOTICE: The lock-off switch cannot be released while the arm is being pivoted beyond 90°.

To prevent the switch trigger from being accidentally pulled, a lock-off switch is provided. Depress the switch lever (A) from the A side to unlock the switch trigger, and (B) from the B side to lock in.

► Fig.5: 1. Lock-off switch

To start the tool, pull the switch trigger. Release the switch trigger to stop.

For continuous operation, pull the switch trigger and then push in the lock button. To stop the tool from the locked switch position, pull the switch trigger fully, and then release it.

► Fig.6: 1. Lock-on button 2. Switch trigger

Lighting up the front lamp

⚠ CAUTION: Do not look in the light or see the source of light directly.

The lighting direction can be adjusted at three levels through an angle of 60°. Pull the switch trigger to turn on the lamp. To turn off, release it. The lamp goes out approximately 10 seconds after releasing the switch trigger.

► Fig.7: 1. Lamp

NOTE: When the tool is overheated, the light flashes for one minute. In this case, cool down the tool before operating again.

NOTE: Use a dry cloth to wipe the dirt off the lens of the lamp. Be careful not to scratch the lens of lamp, or it may lower the illumination.

Speed adjusting dial

The belt speed can be adjusted between 600 m and 1,700 m per minute (1,970 - 5,600 ft/min) by turning the speed adjusting dial to a given number setting from 1 to 5. Higher speed is obtained when the dial is turned in the direction of number 5; lower speed is obtained when it is turned in the direction of number 1. Select the proper speed for the workpiece to be sanded.

⚠ CAUTION: The speed adjusting dial can only be turned between the numbers indicated on the dial. Do not apply an excessive force to turn the dial outside that range, or the speed adjustment may not function.

► Fig.8: 1. Speed adjusting dial

ASSEMBLY

⚠ CAUTION: Always be sure that the tool is switched off and the battery cartridge is removed before carrying out any work on the tool.

Removing and installing abrasive belt

Pull the cam lever back to release the tension in the belt, and remove the belt.

To install the belt, place one side of the belt over the rear pulley in first, hook the other side over the front pulley, and then set the cam lever to the original position.

► Fig.9: 1. Cam lever 2. Abrasive belt 3. Rear pulley 4. Front pulley

Adjusting belt tracking

Make sure that the belt is aligned with the arm properly on a trial run at low speed.

Use the thumb screw to center the belt tracking. Turn the screw clockwise to incline the arm to the right when looking down at the tool with its arm pointed forward, and in counterclockwise to the left.

► Fig.10: 1. Arm 2. Thumb screw

Installing side grip

⚠ CAUTION: Securely tighten the thumb screw before operation.

⚠ CAUTION: Avoid exerting a strong external force on the side grip, otherwise the grip base becomes loosely attached and the tool may fall off causing damage or personal injury in the following conditions:

- Apply a full impact on the side grip during operation
- Handle the tool carelessly only with one hand on the side grip
- Carry the tool only with one hand on the side grip

The side grip (auxiliary handle) helps hold the tool firmly during operation.

1. Screw the grip into the fastening nut placed in the grip base.

► **Fig.11:** 1. Grip 2. Grip base 3. Fastening nut

2. Loosen the thumb screw in the grip base.

Attach the base to the barrel of the motor housing aligning the locking tab on the base with the shallow groove in the surface of the housing.

Tighten the thumb screw to secure the grip.

► **Fig.12:** 1. Thumb screw 2. Motor housing

Connecting to Makita vacuum cleaner

CAUTION: Always close the nozzle cap when a vacuum cleaner is not connected to the nozzle. Never insert your finger into the nozzle.

NOTICE: Read the instruction manual supplied with your vacuum cleaner before using it.

NOTE: Optional front cuffs 22, joints or tool adapters may be required to make connections depending on your vacuum cleaner system.

Cleaner sanding operations can be performed by connecting the belt sander to Makita vacuum cleaner. Open the nozzle cap, and install the dust nozzle.

Connect the hose of a vacuum cleaner to the dust nozzle.

► **Fig.13:** 1. Dust nozzle 2. Front cuffs / joint / adapter 3. Hose of vacuum cleaner 4. Vacuum cleaner

OPERATION

CAUTION: Secure workpiece with clamps, etc. if it possibly moves during operation.

CAUTION: Avoid any sanding operations on ignitable materials such as aluminum and magnesium. It may result in a fire, explosion or risk of injury.

CAUTION: Be sure that not any part of the sanding belt is placed on the surface of workpiece before you turn the tool on or off. Otherwise a poor sanding finish, damage to the belt or loss of control of the tool may result.

CAUTION: Avoid body contact with the belt and rotating parts of the tool during operation. Always be aware of your surroundings and bystanders, and stay alert for possible hazards.

CAUTION: Do not attempt to hold and operate the tool upside down. It may cause a serious accident resulting in personal injury.

Turn the tool on and wait until it attains full speed. Hold the tool firmly with both hands. Gently apply the tool to the workpiece surface and move the tool forward and backward.

► **Fig.14**

► **Fig.15**

Always use the range "C" (between the end of flat shoe and front pulley) in the figure to sand the workpiece.

Press the belt only lightly on the workpiece. Excessive pressure may damage the belt and shorten the life of the tool.

► **Fig.16:** 1. Flat shoe 2. Front pulley

MAINTENANCE

CAUTION: Always be sure that the tool is switched off and the battery cartridge is removed before attempting to perform inspection or maintenance.

NOTICE: Never use gasoline, benzine, thinner, alcohol or the like. Discoloration, deformation or cracks may result.

To maintain product SAFETY and RELIABILITY, repairs, any other maintenance or adjustment should be performed by Makita Authorized or Factory Service Centers, always using Makita replacement parts.

Storage

CAUTION: Be careful not to pinch your fingers when moving the arm. Failure to do so may cause personal injury.

The arm can move through an angle of up to 160°. Fold the arm up to save a storage space.

1. Loosen the lock lever by raising it. Pivot the arm at an angle of 90°.

2. Push and hold the slider knob, and then adjust the angle of the arm in the range "B" (90° to 160°) in the figure.

► **Fig.17:** 1. Lock lever 2. Slider knob 3. Arm

3. Secure the lock lever to fix the arm.

► **Fig.18:** 1. Lock lever 2. Lock-off switch

NOTICE: The lock-off switch is automatically activated while the arm is being pivoted beyond 90°.

OPTIONAL ACCESSORIES

CAUTION: These accessories or attachments are recommended for use with your Makita tool specified in this manual. The use of any other accessories or attachments might present a risk of injury to persons. Only use accessory or attachment for its stated purpose.

If you need any assistance for more details regarding these accessories, ask your local Makita Service Center.

- Dust nozzle assembly
- Arm (6, 9, 13 mm (1/4", 3/8", 1/2"))
- Abrasive belts
- Dust cover complete
- Hose complete 28
- Front cuffs
- Makita genuine battery and charger

NOTE: Some items in the list may be included in the tool package as standard accessories. They may differ from country to country.

TEHNIČNI PODATKI

Model:	DBS180
Velikost traku	9 x 533 mm
Hitrost traku	600 - 1.700 m/min
Celotna dolžina	500 mm *1
Nazivna napetost	D.C. 18 V
Neto teža	2,1 kg

*1. Z brusnim trakom in akumulatorsko baterijo (BL1860B).

- Ker nenehno opravljamo raziskave in razvijamo svoje izdelke, se lahko tehnični podatki v tem dokumentu spremenijo brez obvestila.
- Tehnični podatki se lahko razlikujejo od države do države.
- Teža skupaj z akumulatorsko baterijo v skladu s postopkom EPTA 01/2014

Uporabna akumulatorska baterija in polnilnik

Baterijski vložek	BL1815N / BL1820 / BL1820B / BL1830 / BL1830B / BL1840 / BL1840B / BL1850 / BL1850B / BL1860B
Polnilnik	DC18RC / DC18RD / DC18RE / DC18SD / DC18SE / DC18SF / DC18SH

- Nekatere zgoraj navedene akumulatorske baterije in polnilniki morda v vaši državi prebivališča niso na voljo.

⚠ OPOZORILO: Uporabljajte le zgoraj navedene akumulatorske baterije in polnilnike. Uporaba drugih akumulatorskih baterij in polnilnikov lahko povzroči telesne poškodbe in/ali požar.

Predvidena uporaba

Orodje je namenjeno brušenju velikih lesenih površin, plastike in kovinskih materialov ter lakiranih površin.

Hrup

Običajna A-ovrednotena raven hrupa v skladu z EN62841-2-4:

Raven zvočnega tlaka (L_{pA}): 77 dB (A)
Odstopanje (K): 3 dB (A)

OPOMBA: Navedene vrednosti oddajanja hrupa so bile izmerjene v skladu s standardnimi metodami testiranja in se lahko uporabljajo za primerjavo orodij.

OPOMBA: Navedene vrednosti oddajanja hrupa se lahko uporabljajo tudi pri predhodni oceni izpostavljenosti.

⚠ OPOZORILO: Uporabljajte zaščito za sluh.

⚠ OPOZORILO: Oddajanje hrupa med dejansko uporabo električnega orodja se lahko razlikuje od navedenih vrednosti, odvisno od načina uporabe orodja in predvsem vrste obdelovanca.

⚠ OPOZORILO: Upravljevec mora za lastno zaščito poznati varnostne ukrepe, ki temeljijo na oceni izpostavljenosti v dejanskih pogojih uporabe (poleg časa proženja je treba upoštevati celoten delovni cikel, vključno s časom, ko je orodje izklopljeno, in časom, ko deluje v prostem teku).

Vibracije

Skupne vrednosti vibracij (vektorska vsota treh osi) v skladu z EN62841-2-4:

Delovni način: delovanje brez obremenitev
Emisije vibracij (a_{h1}): 2,5 m/s² ali manj
Odstopanje (K): 1,5 m/s²

OPOMBA: Navedene skupne vrednosti oddajanja vibracij so bile izmerjene v skladu s standardnimi metodami testiranja in se lahko uporabljajo za primerjavo orodij.

OPOMBA: Navedene skupne vrednosti oddajanja vibracij se lahko uporabljajo tudi pri predhodni oceni izpostavljenosti.

⚠ OPOZORILO: Oddajanje vibracij med dejansko uporabo električnega orodja se lahko razlikuje od navedenih vrednosti, odvisno od načina uporabe orodja in predvsem vrste obdelovanca.

⚠ OPOZORILO: Upravljevec mora za lastno zaščito poznati varnostne ukrepe, ki temeljijo na oceni izpostavljenosti v dejanskih pogojih uporabe (poleg časa proženja je treba upoštevati celoten delovni cikel, vključno s časom, ko je orodje izklopljeno, in časom, ko deluje v prostem teku).

Izjava o skladnosti ES

Samo za evropske države

Izjava ES o skladnosti je vključena v dodatku A, ki je priložen tem navodilom za uporabo.

VARNOSTNA OPOZORILA

Splošna varnostna opozorila za električno orodje

⚠ OPOZORILO: Preberite vsa varnostna opozorila in navodila s slikami in tehničnimi podatki, ki so dobavljeni skupaj z električnim orodjem. Ob neupoštevanju spodaj navedenih navodil obstaja nevarnost električnega udara, požara in/ali hudih telesnih poškodb.

Shranite vsa opozorila in navodila za poznejšo uporabo.

Izraz „električno orodje“ v opozorilih se nanaša na vaše električno orodje (s kablom) ali baterijsko električno orodje (brez kabla).

VARNOSTNA OPOZORILA ZA BREŽIČNI TRAČNI BRUSILNIK

1. Med brušenjem dobro prezračite svoj delovni prostor.
2. Nekateri materiali vsebujejo kemikalije, ki so lahko strupene. Bodite previdni ter preprečite vdihavanje prahu in stik s kožo. Upošteвайте varnostne podatke dobavitelja materiala.
3. Vedno uporabljajte ustrezno protiprašno masko/respirator za material, ki ga obdelujete, in način uporabe.
4. Vedno uporabljajte zaščitna očala. Navadna ali sončna očala NISO zaščitna očala.
5. Orodje čvrsto držite z obema rokama.
6. Pred vklopom stikal se prepričajte, da se trak ne dotika obdelovanca.
7. Ne približujte rok vrtečim se delom.
8. Orodja ne pustite delovati brez nadzora. Dovoljeno ga je uporabljati samo ročno.
9. Za to orodje ni bila preverjena vodotesnost, zato ne uporabljajte vode na površini obdelovanca.

SHRANITE TA NAVODILA.

⚠ OPOZORILO: NE dovolite, da bi zaradi udobnejšega dela ali znanja o uporabi izdelka (pridobljenega z večkratno uporabo) opustili strogo upoštevanje varnostnih zahtev v okviru pravilne uporabe orodja. ZLORABA ali neupoštevanje varnostnih zahtev v teh navodilih za uporabo lahko povzroči resne telesne poškodbe.

Pomembna varnostna navodila za akumulatorsko baterijo

1. Pred uporabo baterijskega vložka preberite vsa navodila in opozorilne oznake na (1) polnilniku akumulatorja, (2) akumulatorju in (3) izdelku, ki uporablja akumulator.
2. Ne razstavljajte ali spreminjajte akumulatorske baterije. S tem lahko povzročite požar, prekomerno vročino ali eksplozijo.
3. Če se je čas delovanja občutno skrajšal, takoj prenehajte uporabljati orodje. V nasprotnem primeru lahko pride do pregretja, morebitnih opeklin in celo eksplozije.
4. Če pride elektrolit v stik z očmi, jih sperite s čisto vodo in takoj poiščite zdravniško pomoč. Posledica je lahko izguba vida.

5. Ne povzročite kratkega stika baterijskega vložka:

- (1) Ne dotikajte se priključkov s kakršnim koli prevodnim materialom.
- (2) Izogibajte se shranjevanju baterijskega vložka v vsebniku z drugimi kovinskimi predmeti kot so željni, kovanci itn.
- (3) Ne izpostavljajte baterijskega vložka vodi ali dežju.

Kratek stik akumulatorja lahko povzroči velik električni tok, pregrevanje, morebitne opekline in celo okvaro.

6. Ne shranjujte in uporabljajte orodja in akumulatorske baterije na mestih, kjer lahko temperatura doseže ali preseže 50 °C (122 °F).
7. Ne sežigajte baterijskega vložka, tudi če je hudo poškodovan ali v celoti izpraznjen. Baterijski vložek lahko v ognju eksplodira.
8. Ne pribijajte, režite, drobite, mečite, spuščajte akumulatorske baterije oziroma ne udarjajte z akumulatorsko baterijo po trdem predmetu. Takšno ravnanje lahko povzroči požar, prekomerno vročino ali eksplozijo.
9. Ne uporabljajte poškodovanih akumulatorjev.
10. Priložene litij-ionske baterije ustrezajo zahtevam zakonodaje v zvezi z nevarnim blagom. Za komercialne prevoze, npr. tiste, ki jih opravljajo tretje stranke in carinski posredniki, je treba upoštevati posebne zahteve v zvezi z embalažo in označevanjem. Med postopkom priprave na odpremo izdelka se je treba posvetovati s strokovnjakom za nevarne snovi. Pri tem upoštevajte tudi podrobnejše nacionalne predpise. Odprte stike oblepite z lepilnim trakom ali jih drugače zaščitite, baterijo pa zapakirajte tako, da se v embalaži ne more premikati.
11. Ko odstranjujete akumulatorsko baterijo, jo vzemite iz orodja in varno zavrzite. Upoštevajte lokalne uredbe glede odlaganja baterije.
12. Baterije uporabljajte le z izdelki, ki jih določijo Makita. Če namestite baterije v neskladne izdelke, lahko pride do požara, pregrevanja, eksplozije ali puščanja elektrolita.
13. Če orodja dlje časa ne uporabljate, morate iz njega odstraniti baterijo.
14. Med uporabo in po uporabi lahko akumulatorska baterija postane vroča in povzroči opekline. Z vročimi akumulatorskimi baterijami ravnajte pazljivo.
15. Ne dotikajte se priključka orodja takoj po uporabi, ker se lahko dovolj segreje, da povzroči opekline.
16. Ne dovolite, da bi se v priključke, odprtine in utore akumulatorske baterije zleplili ostrežki, prah ali zemlja. Umazanija lahko povzroči slabše delovanje ali okvaro orodja oziroma akumulatorske baterije.
17. Razen če orodje podpira uporabo v bližini visokonapetostnih električnih vodov, akumulatorske baterije ne uporabljajte v bližini visokonapetostnih električnih vodov. Takšna uporaba lahko povzroči motnje v delovanju ali okvaro orodja oziroma akumulatorske baterije.
18. Baterijo hranite izven dosega otrok.

SHRANITE TA NAVODILA.

⚠ POZOR: Uporabljajte le originalne baterije Makita. Če uporabljate neoriginalne baterije Makita ali baterije, ki so bile spremenjene, lahko pride do eksplozije baterije in posledično do požara, telesnih poškodb ali materialne škode. S takšno uporabo boste tudi razveljavili garancijo Makita za orodje in polnilnik Makita.

Nasveti za ohranjanje največje zmogljivosti akumulatorja

1. Napolnite baterijski vložek, preden se v celoti izprazni. Ko opazite, da ima orodje manjšo moč, vedno ustavite delovanje orodja in napolnite baterijski vložek.
2. Nikoli znova ne polnite popolnoma napolnjenega baterijskega vložka. Prenapolnjenje skrajša življenjsko dobo akumulatorja.
3. Baterijski vložek s sobno temperaturo polnite pri temperaturi okolja od 10 °C do 40 °C. Počakajte, da se vroč baterijski vložek pred polnjenjem ohladi.
4. Ko akumulatorske baterije ne uporabljate, jo odstranite iz orodja ali polnilnika.
5. Če baterijskega vložka ne uporabljate dalj časa (več kot 6 mesecev), ga napolnite.

OPIS DELOVANJA

⚠ POZOR: Pred nastavljanjem ali preizkusom delovanja orodja se prepričajte, ali je orodje izključeno in ali je akumulatorska baterija odstranjena.

Nameščanje ali odstranjevanje akumulatorske baterije

⚠ POZOR: Vedno izklopite orodje, preden namestite ali odstranite akumulatorsko baterijo.

⚠ POZOR: Kadar nameščate ali odstranjujete akumulatorsko baterijo, trdno držite orodje in akumulatorsko baterijo. Če orodja in akumulatorske baterije ne držite trdno, se lahko zgodi, da vam zdrsneta iz rok, posledica pa je lahko poškodba orodja in akumulatorske baterije ter telesna poškodba.

► **Sl.1:** 1. Rdeči indikator 2. Gumb 3. Baterijski vložek

Če želite odstraniti akumulatorsko baterijo, jo potisnite iz orodja, pri tem pa pomikajte gumb na sprednji strani vložka.

Akumulatorsko baterijo vstavite tako, da poravnate jeziček na bateriji z utorom na ohišju in jo potisnete v ležišče. Potisnite jo do konca, da se zaskoči. Če je rdeči indikator na zgornji strani gumba viden, pomeni, da baterija ni ustrezno zaklenjena.

⚠ POZOR: Vedno namestite akumulatorsko baterijo tako, da rdeči indikator ni več viden. Če tega ne upoštevate, lahko baterija nepričakovano pade iz orodja in poškoduje vas ali osebe v neposredni bližini.

⚠ POZOR: Ne nameščajte akumulatorske baterije s silo. Če se akumulatorska baterija ne zaskoči lahka, ni pravilno vstavljena.

Zaščitni sistem orodja/akumulatorja

Orodje je opremljeno z zaščitnim sistemom za orodje/akumulator. Sistem samodejno prekine napajanje, da podaljša življenjsko dobo orodja in akumulatorja. Orodje se samodejno zaustavi med delovanjem, če orodje ali akumulator delujeta pod naslednjimi pogoji:

Zaščita pred preobremenitvijo

Ta zaščita deluje, kadar orodje uporabljate na način, ki povzroča neobičajno visoko porabo toka. V tem primeru izklopite orodje in prekinite delo, ki je povzročilo preobremenitev orodja. Nato vklopite orodje, da ga znova zaženete.

Zaščita pred pregrevanjem

Ta zaščita deluje, kadar sta orodje ali akumulator pregreta. V tem primeru počakajte, da se orodje in akumulator ohladita, preden znova vklopite orodje.

Zaščita pred izpraznjenjem

Ta zaščita deluje, ko se zmanjša zmogljivost baterije. V tem primeru odstranite akumulator iz orodja in ga napolnite.

Prikazuje preostalo raven napoljenosti akumulatorja

Samo za akumulatorske baterije z indikatorjem

► **Sl.2:** 1. Indikatorske lučke 2. Gumb za preverjanje

Pritisnite gumb za preverjanje na baterijskem vložku, da preverite raven napoljenosti akumulatorja. Indikatorske lučke na kratko zasvetijo.

Indikatorske lučke			Prikaz preostale ravni napoljenosti
Sveti	Ne sveti	Utripa	
■	□	▬	od 75 % do 100 %
■	■	□	od 50 % do 75 %
■	■	□	od 25 % do 50 %
■	□	□	od 0 % do 25 %
▬	□	□	Napolnite akumulator.
■	■	□	Akumulator je morda okvarjen.
□	□	■	

OPOMBA: Odvisno od pogojev uporabe in okoljske temperature se označba lahko nekoliko razlikuje od dejanske napoljenosti.

OPOMBA: Prva opozorilna lučka (skrajno levo) bo utripala, ko sistem za zaščito akumulatorja deluje.

Nagib nastavitvene roke

Roko je možno zavrteti in pritrčiti v kateri koli kot znotraj območja „A“ (od -5° do 90°) na sliki. Prilagodite kot za udoben delovni položaj.

Zaklepno ročico sprostite tako, da jo dvignete. Zavrtite roko v želeni položaj in pritrčite zaklepno ročico, da čvrsto pritrčite roko.

► **SI.3:** 1. Zaklepna ročica 2. Roka

Zamenjava roke

Z dodatnimi rokami, ki so zasnovane za trak ustrezne širine, lahko namestite traka širine 6 mm (1/4") in 13 mm (1/2"). Odvijte vijak, s katerim je pritrjena roka, in standardno roko zamenjajte z dodatno roko ter dobro privijte vijak.

► **SI.4:** 1. Vijak 2. Roka

Delovanje stikala

⚠ OPOZORILO: Za vašo varnost je to orodje opremljeno s sprostilnim stikalom, ki preprečuje nenamerni zagon orodja. Orodja med delovanjem **NIKOLI** ne uporabljajte, če hkrati s sprožilcem ne pritisnete tudi stikala za zaklep. **PRED** nadaljnjo uporabo vrnite orodje v pooblaščen servisni center, da ga ustrezno popravijo.

⚠ POZOR: Pred namestitvijo akumulatorske baterije v orodje se vedno prepričajte, da sprožilec pravilno deluje in se vrne v položaj za izklop (OFF), ko ga izpustite. Uporaba orodja s stikalom, ki se ne sproži pravilno, lahko povzroči izgubo nadzora in hude telesne poškodbe.

OBVESTILO: Sprožilca ne pritiskajte močno, ne da bi pri tem izpustili sprostilnega stikala. Stikalo se namreč lahko zlomi.

OBVESTILO: Sprostilnega stikala ni mogoče izpustiti, če je roka obrnjena prek kota 90°.

Za preprečevanje nenamernega aktiviranja sprožilca je nameščeno sprostilno stikalo. Pritisnite preklapno ročico (A) s strani A, da odklenete sprožilec, in (B) s strani B, da ga zaklenete.

► **SI.5:** 1. Sprostilno stikalo

Za zagon orodja pritisnite sprožilec. Če želite zaustaviti orodje, izpustite sprožilec.

Za neprekinjeno delovanje pritisnite sprožilec in nato potisnite gumb za zaklep. Za preklap orodja iz položaja zaklenjenega stikala popolnoma povlecite sprožilec in ga nato izpustite.

► **SI.6:** 1. Gumb za zaklep 2. Sprožilec

Vklop sprednje lučke

⚠ POZOR: Ne glejte neposredno v lučko ali vir svetlobe.

Smer osvetlitve lahko nastavite v treh stopnjah pod kotom 60°. Povlecite sprožilec za vklop lučke. Za izklop pa ga spustite. Lučka se izklopi približno 10 sekund zatem, ko izpustite sprožilec.

► **SI.7:** 1. Lučka

OPOMBA: Če je orodje pregreto, lučka utripa eno minuto. V takem primeru pred nadaljnjo uporabo počakajte, da se orodje ohladi.

OPOMBA: Uporabite suho krpo, da obrišete umazanijo z leče lučke. Pazite, da ne opraskate stekla lučke, ker praske občutno zmanjšajo svetilnost.

Gumb za izbiro hitrosti

Hitrost traku lahko nastavite med 600 m in 1.700 m na minuto (1.970 - 5.600 ft/min) z vrtenjem gumba za nastavljanje hitrosti na ustrezno nastavitev od 1 do 5. Višjo hitrost dosežete, če gumb zavrtite v smeri številke 5; nižjo hitrost dosežete, če ga zavrtite v smeri številke 1. Izberite ustrezno hitrost za obdelovanec, ki ga boste brusili.

⚠ POZOR: Gumb za izbiro hitrosti lahko vrtite le med številkami, navedenimi na gumbu. Gumba na silo ne zavrtite zunaj navedenega razpona, saj lahko nastavljanje hitrosti v tem primeru preneha delovati.

► **SI.8:** 1. Gumb za izbiro hitrosti

MONTAŽA

⚠ POZOR: Pred vsako izvedbo dela na orodju se prepričajte, da je le to izključeno in da je akumulatorska baterija odstranjena.

Odstranjevanje in namestitev brusnega traku

Vpenjalno ročico povlecite nazaj, da sprostite napetost traku, in odstranite trak.

Trak namestite tako, da eno stran traku najprej namestite prek zadnje jermenice, drugo stran pripnete prek sprednje jermenice, nato pa vpenjalno ročico nastavite v prvotni položaj.

► **SI.9:** 1. Vpenjalna ročica 2. Brusni trak 3. Zadnja jermenica 4. Sprednja jermenica

Prilaganje poteka traku

S poskusnim delovanjem pri nizki hitrosti se prepričajte, da je trak ustrezno poravnat z roko.

S krilatim vijakom naravnajte potek traku na sredino. Vijak zavrtite v smeri urinega kazalca, da roko nagnete v desno, če orodje opazujete od zgoraj in je roka usmerjena naprej, in v nasprotni smeri urinega kazalca, da jo nagnete v levo.

► **SI.10:** 1. Roka 2. Krilati vijak

Nameščanje stranskega ročaja

⚠ POZOR: Pred uporabo dobro privijte krilati vijak.

⚠ POZOR: Preprečite delovanje močne zunanje sile na stranski ročaj, sicer se nosilec ročaja zrahlja, orodje pa lahko pade in povzroči škodo ali telesno poškodbo v naslednjih pogojih:

- močan udarec na stranski ročaj med uporabo,
- nepazljiva uporaba orodja z eno samo roko na stranskem ročaju,
- nošenje orodja samo z eno roko na stranskem ročaju.

Stranski ročaj (pomožni ročaj) omogoča čvrsto držanje orodja med delovanjem.

1. Ročaj privijte v pritrilno matico na nosilcu ročaja.
▶ **SI.11:** 1. Ročaj 2. Nosilec ročaja 3. Pritrdilna matica
2. Popustite krilati vijak na nosilcu ročaja. Pritrdite nosilec na obod ohišja motorja, pri čemer zaklepni jeziček na nosilcu poravnajte s plitvim utorom na površini ohišja. Zategnite krilati vijak, da pritrдите ročaj.
▶ **SI.12:** 1. Krilati vijak 2. Ohišje motorja

Priključitev na sesalnik za prah Makita

⚠ POZOR: Kadar sesalnik za prah ni priključen na šobo, vedno zaprite pokrov šobe. Nikoli ne vtikajte prstov v šobo.

OBVESTILO: Pred uporabo preberite navodila za uporabo, priložena sesalniku za prah.

OPOMBA: Glede na sistem sesalnika za prah so za priključitev morda potrebne dodatne sprednje manšete 22, spoji ali adapterji za orodje.

Za brušenje brez prašenja lahko tračni brusilnik priključite na sesalnik za prah Makita.

Odprite pokrov šobe in namestite sesalni nastavek. Na sesalni nastavek priključite cev sesalnika za prah.

- ▶ **SI.13:** 1. Sesalni nastavek 2. Sprednje manšete/spoj/adapter 3. Cev sesalnika za prah
4. Sesalnik za prah

UPRAVLJANJE

⚠ POZOR: Če bi se obdelovanec med delom lahko premikal, ga pritrдите s sponami itd.

⚠ POZOR: Ne brusite vnetljivih materialov, kot sta aluminij in magnezij. To lahko povzroči požar, eksplozijo ali tveganje telesne poškodbe.

⚠ POZOR: Pred vklopom ali izklopom orodja se prepričajte, da noben del brusilnega traku ni na površini obdelovanca. V nasprotnem primeru lahko pride do slabega brušenja, poškodb traku ali izgube nadzora nad orodjem.

⚠ POZOR: Med uporabo preprečite stik telesa s trakom in vrtljivimi deli. Vedno bodite pozorni na dogajanje okrog sebe, osebe v bližini in morebitne nevarnosti.

⚠ POZOR: Orodja ne poskušajte držati in uporabljati tako, da je obrnjeno na glavo. To lahko pride do hude nesreče, ki povzroči telesne poškodbe.

Vklopite orodje in počakajte, da doseže polno število hodov. Orodje čvrsto držite z obema rokama. Nežno naslonite orodje na površino obdelovanca ter ga premikajte naprej in nazaj.

▶ **SI.14**

▶ **SI.15**

Med brušenjem obdelovanca vedno uporabljajte razpon „C“ (med koncem ploskega drsnika in sprednje jermenice) na sliki. Trak narahlo pritisnite na obdelovanec. Prekomerni pritisk lahko poškoduje trak in skrajša življenjsko dobo orodja.

- ▶ **SI.16:** 1. Ploski drsnik 2. Sprednja jermenica

VZDRŽEVANJE

⚠ POZOR: Preden se lotite pregledovanja ali vzdrževanja orodja, se vedno prepričajte, da je orodje izklopljeno in akumulatorska baterija odstranjena.

OBVESTILO: Nikoli ne uporabljajte bencina, razredčila, alkohola ali podobnega sredstva. V tem primeru se lahko orodje razbarva ali deformira oziroma lahko nastanejo razpoke.

VARNO in ZANESLJIVO delovanje tega izdelka bo zagotovljeno le, če boste popravila, vzdrževanje in nastavitve prepustili pooblaščenemu servisu za orodja Makita ali tovarniškemu osebju, ki vgrajuje izključno originalne nadomestne dele.

Shranjevanje

⚠ POZOR: Pazite, da si med premikanjem roke ne priščipnete prstov. V nasprotnem primeru lahko pride do telesnih poškodb.

Roka se lahko premika pod največjim kotom 160°. Zložite roko, da prihranite prostor za shranjevanje.

1. Zaklepno ročico sprostite tako, da jo dvignete. Roko zavrtite pod kotom 90°.
2. Pritisnite in pridržite drsni gumb in nato nastavite kot v razponu „B“ (od 90° do 160°) na sliki.
▶ **SI.17:** 1. Zaklepna ročica 2. Drsni gumb 3. Roka
3. Pritrdite zaklepno ročico, da pritrдите roko.
▶ **SI.18:** 1. Zaklepna ročica 2. Sprostilno stikalo

OBVESTILO: Sprostilno stikalo se samodejno aktivira, ko roko zavrtite pod kotom, večjim od 90°.

DODATNA OPREMA

⚠ POZOR: Ta dodatni pribor ali pripomočki so predvideni za uporabo z orodjem Makita, ki je opisano v teh navodilih za uporabo. Pri uporabi drugega pribora ali pripomočkov obstaja nevarnost telesnih poškodb. Dodatni pribor ali pripomočke uporabljajte samo za navedeni namen.

Za več informacij o dodatni opremi se obrnite na najbližji pooblaščen servis za orodja Makita.

- Sklop sesalnega nastavka
- Roka (6, 9, 13 mm (1/4", 3/8", 1/2"))
- Brusni trakovi
- Komplet protiprašnega pokrova
- Komplet gibke cevi 28
- Sprednje manšete
- Originalna akumulator in polnilnik Makita

OPOMBA: Nekateri predmeti na seznamu so lahko priloženi orodju kot standardna dodatna oprema. Lahko se razlikujejo od države do države.

SPECIFIKIMET

Modeli:	DBS180
Madhësia e rripit	9 mm x 533 mm
Shpejtësia e rripit	600 - 1 700 m/min
Gjatësia totale	500 mm *1
Tensioni nominal	D.C. 18 V
Pesha neto	2,1 kg

*1. Me rrip abraziv dhe kuti të baterisë (BL1860B).

- Për shkak të programit tonë të vazhdueshëm të kërkim-zhvillimit, specifikimet që jepen këtu mund të ndryshojnë pa dhënë njoftim.
- Specifikimet mund të ndryshojnë nga njëri shtet në tjetrin.
- Pesha, me kutinë e baterisë, sipas Procedurës EPTA 01/2014

Kutia e aplikueshme e baterisë dhe karikuesi

Kutia e baterisë	BL1815N / BL1820 / BL1820B / BL1830 / BL1830B / BL1840 / BL1840B / BL1850 / BL1850B / BL1860B
Karikuesi	DC18RC / DC18RD / DC18RE / DC18SD / DC18SE / DC18SF / DC18SH

- Disa prej kutive të baterive dhe karikuesve të renditura më lart mund të mos jenë të disponueshme në varësi të zonës ku ju banoni.

▲ PARALAJMËRIM: Përdorni vetëm kutitë e baterisë dhe karikuesit e listuar më lart. Përdorimi i karikuesve dhe kutive të tjera të baterisë mund të shkaktojë lëndim dhe/ose zjarr.

Përdorimi i shtuar

Vegla është projektuar për smerilimin e sipërfaqeve të mëdha të materialeve prej druri, plastike dhe prej metali, si edhe për sipërfaqe të lyera.

Zhurma

Niveli tipik i zhurmës A, i matur sipas EN62841-2-4:
Niveli i presionit të zhurmës (L_{pA}): 77 dB (A)
Pasiguria (K): 3 dB (A)

SHËNIM: Vlerat e deklaruar totale të emetimeve të zhurmës janë matur sipas një metode standarde testimi dhe mund të përdoren për të krahasuar një vegël me një tjetër.

SHËNIM: Vlerat e deklaruar të emetimeve të zhurmës mund të përdoren për një vlerësim paraprak të ekspozimit.

▲ PARALAJMËRIM: Mbani mbrojtëse për veshët.

▲ PARALAJMËRIM: Emetimet e zhurmës gjatë përdorimit aktual të veglës elektrike mund të ndryshojnë nga vlerat e deklaruar në varësi të mënyrave sesi përdoret vegla, veçanërisht nga lloji i materialit të punës që përdoret.

▲ PARALAJMËRIM: Vërtetoni që masat e sigurisë për mbrojtjen e përdoruesit bazohen në vlerësimin e ekspozimit ndaj kushteve aktuale të përdorimit (duke marrë parasysh të gjitha pjesët e ciklit të funksionimit si ato kur pajisja është e fikur dhe punon pa prerë ashtu edhe kohën e përdorimit).

Dridhja

Vlera totale e dridhjeve (shuma e vektorit me tre akse) përcaktohet sipas EN62841-2-4:
Regjimi i punës: punë pa ngarkesë
Emetimi i dridhjeve (a_{h}): 2,5 m/s² ose më pak
Pasiguria (K): 1,5 m/s²

SHËNIM: Vlerat e deklaruar totale të dridhjeve janë matur sipas një metode standarde testimi dhe mund të përdoren për të krahasuar një vegël me një tjetër.

SHËNIM: Vlerat e deklaruar totale të dridhjeve mund të përdoren për një vlerësim paraprak të ekspozimit.

▲ PARALAJMËRIM: Emetimet e dridhjeve gjatë përdorimit aktual të veglës elektrike mund të ndryshojnë nga vlerat e deklaruar në varësi të mënyrave sesi përdoret vegla, veçanërisht nga lloji i materialit të punës që përdoret.

▲ PARALAJMËRIM: Vërtetoni që masat e sigurisë për mbrojtjen e përdoruesit bazohen në vlerësimin e ekspozimit ndaj kushteve aktuale të përdorimit (duke marrë parasysh të gjitha pjesët e ciklit të funksionimit si ato kur pajisja është e fikur dhe punon pa prerë ashtu edhe kohën e përdorimit).

Deklarata e konformitetit me KE-në

Vetëm për shtetet evropiane

Deklarata e konformitetit me KE-në përfshihet si Shtojca A në këtë manual përdorimi.

PARALAJMËRIME SIGURIE

Paralajmërimet e përgjithshme për sigurinë e veglës

▲ PARALAJMËRIM: Lexoni të gjitha paralajmërimet për sigurinë, udhëzimet, ilustrimet dhe specifikimet e dhëna me këtë vegël elektrike. Mosndjekja e të gjitha udhëzimeve të renditura më poshtë mund të shkaktojë goditje elektrike, zjarr dhe/ose lëndim të rëndë.

Ruajini të gjitha paralajmërimet dhe udhëzimet për të ardhmen.

Termi "vegël elektrike" në paralajmërimi i referohet veglës elektrike që përdoret e lidhur në prizë (me kordon) ose veglës së përdorur me bateri (pa kordon).

PARALAJMËRIME PËR SIGURINË E SMERILUESIT ME RRIPI ME BATERI

1. Ajrosni siç duhet mjedisin e punës kur kryeni veprime smerilimi.
2. Disa materiale përmbajnë kimikate që mund të jenë toksike. Kini kujdes që të parandaloni thithjen e pluhurave dhe kontaktin me lëkurën. Ndiqni të dhënat e sigurisë nga furnizuesi i materialit.
3. Përdorni gjithmonë maskën kundër pluhurit/respiratorin e duhur për materialin dhe për aplikacionin me të cilët po punoni.
4. Përdorni gjithmonë syze sigurie të mëdha ose të vogla. Syzet e zakonshme ose syzet e diellit NUK janë syze sigurie.
5. Mbajeni veglën fort me të dyja duart.
6. Sigurohuni që rripi të mos e prekë materialin e punës përpara se të ndizet çelësi.
7. Mbajini duart larg pjesëve rrotulluese.
8. Mos e lini veglën të ndezur. Përdoreni veglën vetëm duke e mbajtur në dorë.
9. Kjo pajisje nuk është rezistente ndaj ujit, kështu që mos përdorni ujë mbi sipërfaqen e materialit të punës.

RUAJINI KËTO UDHËZIME.

▲ PARALAJMËRIM: MOS lejoni që njohta ose familjarizimi me produktin (të fituara nga përdorimi i shpeshtë) të zëvendësojnë zbatimin me përpikëri të rregullave të sigurisë për produktin në fjalë. KEQPËRDORIMI ose mosndjekja e rregullave të sigurisë të dhëna në këtë manual përdorimi mund të shkaktojë dëmtime të rënda personale.

Udhëzime të rëndësishme rreth sigurisë për kutinë e baterisë

1. Përpara se ta përdorni kutinë e baterisë, lexoni të gjitha udhëzimet dhe shënimet e masave parandaluese të (1) ngarkuesi i baterisë, (2) bateria dhe (3) produkti që përdor baterinë.
 2. Mos e gmontoni ose dëmtoni kutinë e baterisë. Kjo mund të shkaktojë zjarr, nxehtësi të lartë ose shpërthim.
 3. Nëse koha e përdorimit është shkurtuar jashtë mase, ndalojeni punën menjëherë. Kjo mund të rezultojë në rrezik mbinxehjeje, djegie të mundshme, madje edhe shpërthim.
 4. Nëse ju futen elektrolitit në sy, shpëlajini sytë me ujë të pastër dhe kërkoni ndihmë mjekësore menjëherë. Kjo gjë mund të rezultojë në humbje të shikimit.
 5. Mos bëni lidhje të shkurtër me kutinë e baterisë:
 - (1) Mos i prekni terminalet me materiale përcjellëse.
 - (2) Shmangni ruajtjen e kutisë së baterisë në një kuti me objekte të tjera metalike, si gozhdë, monedha etj.
 - (3) Mos e ekspozoni kutinë e baterisë në ujë ose shi.
- Qarku i shkurtër i baterisë mund të shkaktojë qarkullim të madh të rrymës elektrike, mbinxehjeje, djegie të mundshme dhe madje prishje.
6. Mos e ruani dhe mos e përdorni pajisjen dhe kutinë e baterisë në vende ku temperatura mund të arrijë ose tejkalojë 50 °C (122 °F).
 7. Mos e digjini kutinë e baterisë, edhe nëse është shumë e dëmtuar ose është konsumuar plotësisht. Kutia e baterisë mund të shpërthejë në zjarr.
 8. Mos e shponi, pritni, shtypni, hidhni apo rrëzoni kutinë e baterisë apo ta goditni kutinë e baterisë me një objekt të fortë. Një sjellje e tillë mund të shkaktojë zjarr, nxehtësi të lartë ose shpërthim.
 9. Mos përdorni bateri të dëmtuar.
 10. Bateritë e përfshira të litiumit, u nënshtrohen kërkesave të legjislatimit për mallrat e rrezikshme.
- Për transport tregtar p.sh. nga palë të treta, agjentët të ndërmjetëm, duhet të ndiqen kërkesa specifike mbi paketimin dhe etiketimin. Për përgatitjen e artikullit për transport, është i nevojshëm konsultimi i një eksperti për materiale të rrezikshme. Ju lutemi, ndiqni gjithashtu rregulloret me gjasë më të detajuara vendore. Mbuloni me ngjitëse ose maskoni kontaktet e zhveshura dhe paketojeni baterinë në mënyrë të tillë që të mos lëvizë në paketim.
11. Kur hidhni kutinë e baterisë, hiqeni nga vegla dhe hidhjeni në një vend të sigurt. Zbatoni rregulloret lokale rreth hedhjes së baterisë.
 12. Përdorini bateritë vetëm me produktet e specifikuar nga Makita. Instalimi i baterive në produkte të papajtueshme mund të rezultojë në zjarr, nxehtësi të lartë, shpërthim ose rrjedhje të elektroliteve.

13. Nëse vegla nuk përdoret për një periudhë të gjatë kohe, bateria duhet të hiqet nga vegla.
14. Gjatë dhe pas përdorimit, kutia e baterisë mund të nxehet, gjë që mund të shkaktojë djegie ose djegie në temperaturë të ulët. Tregoni kujdes gjatë manovrimit të kutive të nxeha të baterive.
15. Mos prekni terminalin e veglës menjëherë pas përdorimit pasi mund të nxehet aq shumë sa të shkaktojë djegie.
16. Mos lejoni që grumbullimin e ashklave, pluhurave ose papastërtive në terminalët, vrimat ose kanalet e kutisë së baterisë. Kjo mund të shkaktojë rendiment të ulët ose dëmtim të veglës ose të kutisë së baterisë.
17. Përveç kur vegla e mbështet përdorimin pranë linjave elektrike me voltazh të lartë, mos e përdorni kutinë e baterisë pranë linjave elektrike me voltazh të lartë. Kjo mund të shkaktojë një defekt ose dëmtim të veglës ose të kutisë së baterisë.
18. Mbajeni baterinë larg fëmijëve.

RUAJINI KËTO UDHËZIME.

▲KUJDES: Përdorni vetëm bateri origjinale Makita. Përdorimi i baterive jo-origjinale Makita ose baterive që mund të jenë modifikuar, mund të rezultojë në marrjen flakë të baterisë, lëndime personale apo dëmtime. Kjo do të anulohë gjithashtu edhe garancinë e Makita-s për veglën e Makita-s dhe ngarkuesin.

Këshilla për të ruajtur jetëgjatësinë maksimale të baterisë

1. Ngarkojeni baterinë përpara se të shkarkohet plotësisht. Gjithmonë ndaloni punën me pajisjen dhe ngarkoni baterinë kur vëreni ulje të fuqisë së pajisjes.
2. Asnjëherë mos e ringarkoni baterinë e ngarkuar plotësisht. Mbingarkimi shkurton jetëgjatësinë e shërbimit të baterisë.
3. Ngarkojeni baterinë në temperaturën e dhomës në 10 °C - 40 °C. Lëreni kutinë e nxehët të baterisë të ftohet përpara se ta ngarkoni atë.
4. Kur nuk e përdorni kutinë e baterisë, hiqeni atë nga vegla ose karikuesi.
5. Ngarkojeni baterinë nëse nuk e përdorni për një kohë të gjatë (mbi gjashtë muaj).

PËRSHKRIMI I PUNËS

▲KUJDES: Sigurohuni gjithmonë që vegla të jetë e fikur dhe kutia e baterisë të jetë hequr përpara se ta rregulloni apo t'i kontrolloni funksionet e veglës.

Instalimi ose heqja e kutisë së baterisë

▲KUJDES: Fikeni gjithmonë veglën përpara se të instaloni ose hiqni kutinë e baterisë.

▲KUJDES: Mbajeni fort veglën dhe kutinë e baterisë kur montoni ose hiqni kutinë e baterisë.

Mosmbajta fort e veglës dhe e kutisë së baterisë mund të bëjë që t'ju rrëshqasin nga duart dhe të shkaktojë dëmtim të veglës dhe të kutisë së baterisë, si dhe lëndim personal.

► Fig. 1. Treguesi i kuq 2. Butoni 3. Kutia e baterisë

Për të hequr kutinë e baterisë, rrëshqiteni atë nga vegla ndërsa rrëshqisni butonin në pjesën e përparme të kutisë së baterisë.

Për të vendosur kutinë e baterisë, bashkërenditni gjuhëzën e kutisë së baterisë me kanalën e folesë dhe rrëshqiteni për ta futur. Futeni deri në fund, derisa të kërçasë dhe të bllokohet në vend. Nëse shikoni treguesin e kuq në anën e sipërme të butonit, ajo nuk është e bllokuar plotësisht.

▲KUJDES: Vendosni gjithnjë plotësisht kutinë e baterisë derisa treguesi i kuq të mos duket. Në të kundërt, ajo mund të bjerë aksidentalisht nga vegla duke ju lënduar juve ose personin pranë jush.

▲KUJDES: Mos e vendosni me forcë kutinë e baterisë. Nëse kutia nuk hyn lehtë, nuk po e futni siç duhet.

Sistemi i mbrojtjes së veglës/baterisë

Vegla është e pajisur me një sistem të mbrojtjes së veglës/baterisë. Ky sistem ndërpret automatikisht energjinë për të zgjatur jetëgjatësinë e veglës dhe baterisë. Vegla do të ndalojë automatikisht gjatë punës nëse vegla ose bateria janë vendosur sipas një prej kushteve të mëposhtme:

Mbrojtja nga mbingarkesa

Kjo mbrojtje funksionon kur vegla përdoret në një mënyrë që e bën atë të marrë rrymë të lartë anormale. Në këtë situatë, fikeni veglën dhe ndaloni punën që shkaktoi mbingarkesën e veglës. Pastaj ndizeni veglën për ta rinisur.

Mbrojtja ndaj mbinxehjes

Kjo mbrojtje funksionon kur vegla ose bateria mbinxehen. Në këtë situatë, lëreni veglën dhe baterinë të ftohen përpara se ta ndizni veglën sërish.

Mbrojtja nga mbishkarkimi

Kjo mbrojtje funksionon kur ulet kapaciteti i mbetur i baterisë. Në këtë situatë, hiqeni baterinë nga vegla dhe karikojeni.

Treguesi i kapacitetit të mbetur të baterive

Vetëm për kuti baterie me llambë

► **Fig.2:** 1. Llambat treguese 2. Butoni i kontrollit

Shtypni butonin e kontrollit në kutinë e baterisë për të treguar kapacitetin e mbetur të baterisë. Llambat treguese ndizen për pak sekonda.

Llambat treguese			Kapaciteti i mbetur
Ndezur	Fikur	Duke pulsuar	
■	□	▣	75% deri 100%
■ ■ ■ ■	□ □ □ □	▣ ▣ ▣ ▣	50% deri 75%
■ ■ ■ ■	□ □ □ □	▣ ▣ ▣ ▣	25% deri 50%
■ ■ ■ ■	□ □ □ □	▣ ▣ ▣ ▣	0% deri 25%
▣	□ □ □ □	□ □ □ □	Ngarkojeni baterinë.
■ ■ ■ ■	□ □ □ □	▣ ▣ ▣ ▣	Llambushka mund të ketë keqfunksionuar.
□ □ □ □	■ ■ ■ ■	▣ ▣ ▣ ▣	

SHËNIM: Në varësi të kushteve të përdorimit dhe të temperaturës së ambientit, treguesi mund të ndryshojë paksa nga kapaciteti aktual.

SHËNIM: Llamba e parë e treguesit (në fund majtas) do të pulsojë kur sistemi i mbrojtjes së baterisë është në punë.

Pjerrësi e krahut rregullues

Krahu mund të rrotullohet dhe të fiksohet në çdo kënd të dëshiruar brenda shkallës "A" (-5° deri 90°) në figurë. Rregullojeni këndin për të krijuar një pozicion komod pune. Lironi levën e bllokimit duke e ngritur atë. Rrotulloni krahun në pozicionin e dëshiruar dhe siguroni levën e bllokimit për ta fiksuar krahun fort.

► **Fig.3:** 1. Leva e bllokimit 2. Krahu

Zëvendësimi i krahut

Rripa me gjerësi 6 mm (1/4") dhe 13 mm (1/2") mund të instalohen me krahët opsionalë që janë projektuar për gjerësitë korresponduese të rripit. Lironi vidën që fikson krahun dhe zëvendësojeni krahun standard me krahun optimal, më pas shtrëngojeni mirë vidën.

► **Fig.4:** 1. Vida 2. Krahu

Veprimi i çelësit

▲ PARALAJMËRIM: Për sigurinë tuaj, vegla është e pajisur me çelësin e zhblokimit, i cili parandalon ndezjen aksidentale të veglës. **ASNJËHERË** mos e përdorni veglën nëse ndizet kur thjesht tërhiqni këmbëzën e çelësit, pa liruar çelësin e zhblokimit. Çojeni veglën në qendër tonë të autorizuar të shërbimit për riparimet e duhura **PËRPARA** përdorimit të mëtejshëm.

▲KUJDES: Përpara se të vendosni kutinë e baterisë në vegël, kontrolloni gjithmonë për të parë nëse këmbëza e çelësit aktivizohet siç duhet dhe nëse kthehet në pozicionin "OFF" (fikur) kur lëshohet. Përdorimi i veglës me një çelës që nuk funksionon siç duhet mund të çojë në humbje të kontrollit dhe lëndim të rëndë personal.

VINI RE: Mos e tërhiqni fort këmbëzën e çelësit pa liruar çelësin e zhblokimit. Kjo mund të shkaktojë thyerjen e çelësit.

VINI RE: Çelësi i zhblokimit nuk mund të lirohet ndërkohë që krahu rrotullohet përtej 90°.

Për të parandaluar tërheqjen aksidentale të këmbëzës së çelësit, vegla është pajisur me një çelës zhblokim. Shtypni levën e çelësit (A) nga ana A për të zhblokuar këmbëzën e çelësit, dhe (B) nga ana B për ta bllokuar.

► **Fig.5:** 1. Çelësi i zhblokimit

Për ta ndezur veglën, tërhiqni këmbëzën e çelësit. Lironi këmbëzën e çelësit për ta ndaluar.

Për përdorim të vazhdueshëm, tërhiqni këmbëzën e çelësit dhe më pas shtypni butonin e bllokimit. Për ta hequr veglën nga pozicioni i çelësit të bllokimit, tërhiqni plotësisht këmbëzën e çelësit dhe pastaj lëshojeni.

► **Fig.6:** 1. Butoni i bllokimit 2. Këmbëza e çelësit

Ndezja e llambës së përparme

▲KUJDES: Mos e shikoni direkt dritën ose burimin e dritës.

Drejtimi i ndriçimit mund të rregullohet në tre nivele përmes një këndi 60°. Tërhiqni këmbëzën e çelësit për të ndezur llambën. Për ta fikur, lëshojeni. Llamba fiket afërsisht pas 10 sekondash pas lëshimit të këmbëzës së çelësit.

► **Fig.7:** 1. Llamba

SHËNIM: Kur vegla mbinxehet, drita pulson për një minutë. Në këtë rast, ftohni veglën para se ta përdorni përsëri.

SHËNIM: Përdorni një leckë të thatë për të fshirë papastërtitë nga lentet e llambës. Bëni kujdes të mos gërvishni lentet e llambës, në të kundërt ajo do të ulë ndriçimin.

Disku i rregullimit të shpejtësisë

Shpejtësia e rripit mund të rregullohet mes 600 m dhe 1 700 m në minutë (1 970 - 5 600 ft/min) duke e kthyer diskun e rregullimit të shpejtësisë në një cilësim numri nga 1 në 5.

Shpejtësia më e lartë përftohet kur disku kthehet në drejtim të numrit 5, shpejtësia më e ulët përftohet kur ajo kthehet në drejtim të numrit 1. Përzgjidhni shpejtësinë e përshtatshme për materialin e punës që do të smerilohet.

▲KUJDES: Disku i rregullimit të shpejtësisë mund të rrotullohet vetëm mes numrave të treguar në disk. Mos aplikoni forcë të tepërt për të rrotulluar diskun jashtë asaj game, ose rregullimi i shpejtësisë mund të mos funksionojë.

► **Fig.8:** 1. Disku i rregullimit të shpejtësisë

MONTIMI

▲KUJDES: Sigurohuni gjithmonë që vegla të jetë e fikur dhe kutia e baterisë të jetë hequr përpara se të kryeni ndonjë punë në vegël.

Heqja dhe instalimi i rripit abraziv

Tërhiqni levën e boshtit prapa për të liruar tensionin e rripit dhe hiqni rripin.

Për të instaluar rripin, vendosni njërën anë të rripit mbi pulexhën e pasme në fillim, lidhni anën tjetër të pulexhës së përparme dhe më pas vendosni levën e boshtit në pozicionin fillestar.

► **Fig.9:** 1. Leva e boshtit 2. Rripi abraziv 3. Pulexha e pasme 4. Pulexha e përparme

Rregulloni trajektoren e rripit

Sigurohuni që rripi të jetë bashkërenditur mirë me krahun duke bërë një provë me shpejtësi të ulët. Përdorni vidën me veshë për të vendosur trajektoren e rripit në qendër. Kthejeni vidën në drejtim orar për të anuar krahun kur shikoni poshtë në vegël me krahun e drejtuar përpara dhe në drejtim kundërorar në të majtë.

► **Fig.10:** 1. Krahu 2. Vida me veshë

Instalimi i mbajtëses anësore

▲KUJDES: Shtrëngojeni mirë vidën me veshë përpara përdorimit.

▲KUJDES: Shmangni ushtrimin e një force të madhe të jashtme në mbajtësen anësore, ndryshe baza mbajtëse lirohet dhe vegla mund të bjerë duke shkaktuar dëmtim ose lëndim personal në kushtet e mëposhtme:

- Kur aplikoni një goditje të plotë në mbajtësen anësore gjatë përdorimit
- Kur e mbani veglën pa kujdes me njërën dorë të mbajtësja anësore
- Transportojeni veglën me njërën dorë të mbajtësja anësore

Mbajtësja anësore (doreza ndihmëse) ndihmon që ta mbani veglën fort gjatë përdorimit.

1. Vidhoseni mbajtësen në dadon shtrënguese të vendosur në bazën mbajtëse.

► **Fig.11:** 1. Mbajtësja 2. Baza mbajtëse 3. Dadoja shtrënguese

2. Lironi vidën me veshë në bazën mbajtëse. Vendosni bazën në rezervuarin e kasës së motorit duke bashkërenditur gjuhëzën e bllokimit në bazë me kanalën e cekët në sipërfaqen e kasës.

Shtrengoni vidën me veshë për të siguruar mbajtësen.

► **Fig.12:** 1. Vida me veshë 2. Kasa e motorit

Lidhja me fshesën me korrent Makita

▲KUJDES: Mbylleni gjithmonë kapakun e hundëzës kur me hundëzën nuk është lidhur një fshesë me korrent. Asnjëherë mos fusni gishtin në hundëz.

VINI RE: Lexoni manualin e përdorimit që keni marrë me fshesën me korrent përpara se ta përdorni atë.

SHËNIM: Mund të nevojiten unazat e përparme 22, xhuntot ose përshtatësit e veglës për të bërë lidhjet në varësi të sistemit të fshesës suaj me korrent.

Veprimet e smerilimit me pastruesit mund të kryhen duke lidhur smeriluesin me rrip me fshesën me korrent Makita. Hapni kapakun e hundëzës dhe instaloni hundëzën e pluhurit. Lidhni zorrën e fshesës me korrent me hundëzën e pluhurit.

► **Fig.13:** 1. Hundëza e pluhurit 2. Unazat e përparme / xhuntoja / përshtatësi 3. Zorra e fshesës me korrent 4. Fshesa me korrent

PËRDORIMI

▲KUJDES: Sigurohuni materialin e punës me morsa etj. që të mos lëvizë gjatë përdorimit.

▲KUJDES: Shmangni punimet e smerilimit ose materiale e ndezshme si alumini dhe magnezi. Kjo mund të rezultojë në zjarr, shpërthim ose rrezik lëndimi.

▲KUJDES: Sigurohuni që asnjë pjesë e rripit të smerilimit të mos jetë vendosur në sipërfaqen e materialit të punës përpara se të ndizni ose të fikni veglën. Përndryshe smerilimi përfundimtar mund të jetë i dobët, mund të dëmtohet rripi ose mund të humbasë kontrollin e veglës.

▲KUJDES: Shmangni kontaktin e trupit me rripin dhe pjesët rrotulluese të veglës gjatë përdorimit. Gjithmonë jini në dijeni të mjedisit rrotull dhe personave afër, si dhe qëndroni vigjilent për rreziqet e mundshme.

▲KUJDES: Mos u përipiqi ta mbani dhe ta përdorni veglën me kokë poshtë. Kjo mund të shkaktojë aksident të rëndë që rezultojn në lëndim personal.

Ndizni veglën dhe prisni derisa ajo të marrë shpejtësinë e plotë. Mbajeni veglën fort me të dyja duart. Afrojeni me ngadalë veglën në materialin e punës dhe lëvizeni veglën përpara dhe prapa.

► **Fig.14**

► **Fig.15**

Gjithmonë përdorni shkallën "C" (mes fundit të ferrotës dhe pulexhës së përparme) në figurë për të smeriluar materialin e punës. Shtyjeni rripin lehtësisht mbi materialin e punës. Presioni i tepërt mund të dëmtojë rripin dhe të shkurtojë jetëgjatësinë e veglës.

► **Fig.16:** 1. Ferrota 2. Pulexha e përparme

MIRËBAJTJA

▲KUJDES: Sigurohuni gjithmonë që vegla të jetë fikur dhe të jetë hequr nga bateria përpara se të kryeni inspektimin apo mirëmbajtjen.

VINI RE: Mos përdorni kurrë benzinë, benzinë pastrimi, hollues, alkool dhe të ngjashme. Mund të shkaktoni çngjyrosje, deformime ose krisje.

Për të ruajtur SIGURINË dhe QËNDRUESHMËRINË, riparimet dhe çdo mirëmbajtje apo rregullim tjetër duhen kryer nga qendrat e autorizuara të shërbimit ose të shërbimit të fabrikës të Makita-s, duke përdorur gjithnjë pjesë këmbimi të Makita-s.

Ruajtja

▲KUJDES: Tregoni kujdes të mos kapni gishtat kur lëvizni krahun. Moskryerja e këtij veprimi mund të shkaktojë lëndim personal.

Krahu mund të lëvizë me një kënd deri në 160°. Paloseni krahun lart për të kursyer hapësirë.

1. Lironi levën e bllokimit duke e ngritur atë. Rrotullojeni krahun në një kënd 90°.
2. Shtypni dhe mbani shtypur çelësin rrëshqitës dhe më pas rregulloni këndin e krahut në shkallën "B" (90° deri 160°) në figurë.

► **Fig.17:** 1. Leva e bllokimit 2. Çelësi rrëshqitës 3. Krahu

3. Siguroni levën e bllokimit për të fiksuar krahun.

► **Fig.18:** 1. Leva e bllokimit 2. Çelësi i zhblokimit

VINI RE: Çelësi i zhblokimit aktivizohet automatikisht ndërkohë që krahu rrotullohet përtej 90°.

AKSESORË OPSIONALË

▲KUJDES: Këta aksesore ose shtojca rekomandohen për përdorim me veglën Makita të përcaktuar në këtë manual. Përdorimi i aksesoreve apo shtojcave të tjera ndryshe nga këto mund të përbëjë rrezik lëndimi. Aksesorët ose shtojcat përdorini vetëm për qëllimin e tyre të përcaktuar.

Nëse keni nevojë për më shumë të dhëna në lidhje me aksesorët, pyesni qendrën vendore të shërbimit të Makita-s.

- Grupi i hundëzës së pluhurit
- Krahu (6, 9, 13 mm (1/4", 3/8", 1/2"))
- Rripat abrazivë
- Kapaku i plotë për pluhurin
- Zorra e plotë 28
- Unazat e përparme
- Bateri dhe ngarkues origjinal Makita

SHËNIM: Disa artikuj të listës mund të përfshihen në paketën e veglës si aksesore standardë. Ato mund të ndryshojnë nga njëri shtet në tjetrin.

СПЕЦИФИКАЦИИ

Модел:	DBS180
Размер на лентата	9 мм x 533 мм
Скорост на лентата	600 - 1 700 м/мин
Обща дължина	500 мм *1
Номинално напрежение	Постоянно напрежение 18 V
Нето тегло	2,1 кг

*1. С абразивна лента и акумулаторна батерия (BL1860B).

- Поради нашата непрекъсната научно-развойна дейност посочените тук спецификации могат да бъдат променени без предизвестие.
- Спецификациите може да са различни в различните държави.
- Тегло с акумулаторна батерия, съгласно процедурата EPTA 01/2014

Приложима акумулаторна батерия и зарядно устройство

Акумулаторна батерия	BL1815N / BL1820 / BL1820B / BL1830 / BL1830B / BL1840 / BL1840B / BL1850 / BL1850B / BL1860B
Зарядно устройство	DC18RC / DC18RD / DC18RE / DC18SD / DC18SE / DC18SF / DC18SH

- Някои от акумулаторните батерии и зарядните устройства, посочени по-горе, може да не са налични в зависимост от региона на местоживеене.

⚠ ПРЕДУПРЕЖДЕНИЕ: Използвайте само посочените по-горе акумулаторни батерии и зарядни устройства. Използването на други акумулаторни батерии и зарядни устройства може да причини нараняване и/или пожар.

Предназначение

Инструментът е предназначен за шлифоване на големи повърхности дърво, пластмаса и метали, както и на боядисани повърхности.

Шум

Обичайното ниво на шума с тегловен коефициент A, определено съгласно EN62841-2-4:

Ниво на звуково налягане (L_{pA}): 77 dB(A)

Коефициент на неопределеност (K): 3 dB(A)

ЗАБЕЛЕЖКА: Обявената(ите) стойност(и) на шумовите емисии $e(sa)$ измерена(и) в съответствие със стандартни методи за изпитване и може да се използва(т) за сравняване на инструменти.

ЗАБЕЛЕЖКА: Обявеното(ите) стойност(и) на шумови емисии може да се използва(т) също и за предварителна оценка на вредното въздействие.

⚠ ПРЕДУПРЕЖДЕНИЕ: Използвайте предпазни средства за слуха.

⚠ ПРЕДУПРЕЖДЕНИЕ: Нивото на шума при работа с електрическия инструмент може да се различава от обявената(ите) стойност(и) в зависимост от начина на използване на инструмента, по-специално какъв детайл се обработва.

⚠ ПРЕДУПРЕЖДЕНИЕ: Задължително определете предпазни мерки за защита на оператора въз основа на оценка на риска в реални работни условия (като се вземат предвид всички етапи на работния цикъл, като например момента на изключване на инструмента, работата на празен ход, както и времето на задействане).

Вибрации

Общата стойност на вибрациите (сума от три осови вектора), определена съгласно EN62841-2-4:

Работен режим: работа без товар

Ниво на вибрациите (a_h): 2,5 m/s^2 или по-малко

Коефициент на неопределеност (K): 1,5 m/s^2

ЗАБЕЛЕЖКА: Обявената(ите) обща(и) стойност(и) на вибрациите $e(sa)$ измерена(и) в съответствие със стандартни методи за изпитване и може да се използва(т) за сравняване на инструменти.

ЗАБЕЛЕЖКА: Обявената(ите) обща(и) стойност(и) на вибрациите може да се използва(т) също и за предварителна оценка на вредното въздействие.

▲ ПРЕДУПРЕЖДЕНИЕ: Нивото на вибрациите при работа с електрическия инструмент може да се различава от обявената(ите) стойност(и) в зависимост от начина на използване на инструмента, по-специално какъв детайл се обработва.

▲ ПРЕДУПРЕЖДЕНИЕ: Задължително определете предпазни мерки за защита на оператора въз основа на оценка на риска в реални работни условия (като се взема предвид всички етапи на работния цикъл, като например момента на изключване на инструмента, работата на празен ход, както и времето на задействане).

ЕО декларация за съответствие

Само за европейските страни

ЕО декларацията за съответствие е включена като Анекс А към тази инструкция за употреба.

ПРЕДУПРЕЖДЕНИЯ ЗА БЕЗОПАСНОСТ

Общи предупреждения за безопасност при работа с електрически инструменти

▲ ПРЕДУПРЕЖДЕНИЕ: Прочетете всички предупреждения, инструкции, илюстрации и спецификации за безопасността, предоставени с този електрически инструмент. При неспазване на изброените по-долу инструкции има опасност от токов удар, пожар и/или тежко нараняване.

Запазете всички предупреждения и инструкции за справка в бъдеще.

Терминът "електрически инструмент" в предупрежденията се отнася за вашия инструмент (с кабел за включване в мрежата) или работещ на батерии (безжичен) електрически инструмент.

ПРЕДУПРЕЖДЕНИЯ ЗА БЕЗОПАСНА РАБОТА С АКУМУЛАТОРНА ЛЕНТОВА ШЛАЙФМАШИНА

1. Осигурете адекватна вентилация в помещението, докато шлайфате.
2. Някои материали съдържат химикали, които може да са токсични. Погрижете се да не допуснете вдихане на прах и контакт с кожата. Следвайте информацията на достъпчика за безопасната работа с материала.
3. Винаги използвайте маска за прах или дихателен апарат, съответстващи на материала и приложението, с което работите.
4. Винаги ползвайте защитни очила. Обикновените или слънчеви очила НЕ са защитни очила.
5. Дръжте инструмента здраво с двете си ръце.
6. Преди да включите инструмента, се уверете, че лентата не се допира до детайла.

7. Дръжте ръцете си далеч от въртящите се части.
8. Не оставяйте инструмента да работи без надзор. Инструментът трябва да работи само когато го държите в ръце.
9. Този инструмент не е водонепроницаем, така че не използвайте вода по повърхността на обработвания детайл.

ЗАПАЗЕТЕ НАСТОЯЩИТЕ ИНСТРУКЦИИ.

▲ ПРЕДУПРЕЖДЕНИЕ: НЕ позволявайте комфорта от познаването на продукта (придобит при дългата му употреба) да замени стриктното спазване на правилата за безопасност за въпросния продукт. НЕПРАВИЛНАТА УПОТРЕБА и неспазването на правилата за безопасност, посочени в настоящото ръководство за експлоатация, могат да доведат до тежки наранявания.

Важни инструкции за безопасност за акумулаторната батерия

1. Преди да използвате акумулаторната батерия, прочетете всички инструкции и предупредителни маркировки на (1) зарядното устройство за батериите, (2) за батериите и (3) за използващата батерияте продукт.
2. Не разглобявайте и не променяйте акумулаторната батерия. Това може да предизвика пожар, прегряване или взрив.
3. Ако мощността на машината намалее много, веднага спрете да работите. Това може да доведе до риск от прегряване, до възможни изгаряния и даже до експлозии.
4. Ако в очите ви попадне електролит, изплакнете ги с чиста вода и веднага потърсете лекарска помощ. Това може да доведе до загуба на зрението ви.
5. Не давайте на късо акумулаторните батерии:
 - (1) Не докосвайте клемите с проводими материали.
 - (2) Избягвайте съхраняването на акумулаторните батерии в контейнер с други метални предмети като пирони, монети и други подобни.
 - (3) Не излагайте акумулаторните батерии на вода или дъжд.

Закъсяването на акумулаторна батерия може да доведе до протичане на много силен ток, до прегряване, до възможни изгаряния и даже до разпадане на батерията.

6. Не съхранявайте и не използвайте инструментите и акумулаторните батерии на места, където температурата може да достигне или надмине 50 °C (122 °F).
7. Не изгаряйте акумулаторните батерии даже и ако те са сериозно повредени или напълно износени. Акумулаторната батерия може да експлодира в огън.
8. Не забивайте пирони, не режете, не смачкавайте, не хвърляйте, не изпускайте и не ударяйте в твърд предмет акумулаторната батерия. Това поведение може да предизвика пожар, прегряване или взрив.

9. Не използвайте повредени акумулаторни батерии.
10. Съдържащите се литиево-йонни акумулаторни батерии са обект на изискванията на законодателството за опасни стоки.
При търговски превози, напр. от трети страни, следители, трябва да се спазват специални изисквания за опаковане и етикетирание.
За подготовка на артикула, който трябва да бъде изпратен, е необходима консултация с експерт по опасните материали. Моля, спазвайте и евентуално по-подробните национални разпоредби.
Запелете с лента или покрийте откритите контакти и опаковайте акумулаторната батерия по такъв начин, че да не може да се премества в опаковката.
11. При изхвърляне на акумулаторната батерия я извадете от инструмента и я изхвърлете на подходящо място. Спазвайте местните разпоредби за изхвърляне на акумулаторни батерии.
12. Използвайте батериите само с продуктите, определени от Makita. Поставянето на батериите към неодобрен продукт може да предизвика пожар, прегряване, взрив или изтичане на електролит.
13. Ако инструментът няма да се използва продължително време, батерията трябва да се извади от него.
14. По време на и след употреба акумулаторната батерия може да поеме топлина, която може да причини изгаряния или нискотемпературни изгаряния. Внимавайте, когато боравите с горещите акумулаторни батерии.
15. Не докосвайте клемата на инструмента веднага след употреба, тъй като е възможно да е достатъчно нагрята, за да предизвика изгаряния.
16. Не позволявайте стружки, прах или почва да полепват по клемите, отворите и каналите на акумулаторната батерия. Това може да доведе до лоши работни характеристики или повреда на инструмента или акумулаторната батерия.
17. Освен ако инструментът поддържа използването в близост до високоволтови електропроводи, не използвайте акумулаторната батерия близо до високоволтови електропроводи. Това може да доведе до неизправност или повреда на инструмента или акумулаторната батерия.
18. Пазете батерията от деца.

ЗАПАЗЕТЕ НАСТОЯЩИТЕ ИНСТРУКЦИИ.

⚠ВНИМАНИЕ: Използвайте само оригинални акумулаторни батерии на Makita. При използване на различни от акумулаторните батерии на Makita или стари акумулаторни батерии може да се получи пръскане на акумулаторната батерия, което да доведе до пожар, нараняване или повреда. Това също ще анулира гаранцията на Makita за инструмента и зарядното устройство Makita.

Съвети за поддържане на максимално дълъг живот на акумулаторните батерии

1. Зареждайте акумулаторните батерии, преди те да се разредили напълно. Когато забележите, че мощността на инструмента намалява, винаги спирате работата с инструмента и заредете акумулаторната батерия.
2. Никога не презареждайте напълно заредена акумулаторна батерия. Презарядът скъсява експлоатационния живот на батерията.
3. Зареждайте акумулаторната батерия при стайна температура от 10 °C – 40 °C (50 °F – 104 °F). Оставете зарегите акумулаторни батерии да се охладят, преди да ги зареждате.
4. Когато не използвате акумулаторната батерия, извадете я от инструмента или зарядното устройство.
5. Заредете акумулаторната батерия, ако не сте го използвали дълъг период от време (повече от шест месеца).

ОПИСАНИЕ НА ФУНКЦИИТЕ

⚠ВНИМАНИЕ: Винаги проверявайте дали инструментът е изключен и касетата с акумулаторната батерия е извадена, преди да регулирате или проверявате дадена функция на инструмента.

Поставяне и изваждане на акумулаторната батерия

⚠ВНИМАНИЕ: Винаги изключвайте инструмента преди поставяне или изваждане на акумулаторната батерия.

⚠ВНИМАНИЕ: Когато инсталирате или изваждате акумулаторната батерия, дръжте здраво инструмента и акумулаторната батерия. Ако не държите здраво инструмента и акумулаторната батерия, те могат да се изплъзнат от ръцете ви и да доведат до повреждане на инструмента и акумулаторната батерия или нараняване.

- Фиг.1: 1. Червен индикатор 2. Бутон
3. Акумулаторна батерия

За да извадите акумулаторната батерия, я плъзнете извън инструмента, плъзгайки същевременно бутона в предната част на акумулаторната батерия.

За да поставите акумулаторната батерия, изравнете езичето на акумулаторната батерия с жлеба в корпуса и го плъзнете на мястото му. Вмъкнете го докрай, докато ключалката го задържи на място с малко прищракване. В случай че видите червенния индикатор в горната част на бутона, това означава, че тя не е фиксирана напълно на мястото си.

⚠ВНИМАНИЕ: Винаги вмъквайте акумулаторната батерия докрай, така че червеният индикатор да се скрие. В противен случай тя може неволно да изпадне от инструмента, което може да нарани вас или някого около вас.

⚠ВНИМАНИЕ: Не инсталирайте акумулаторната батерия със сила. Ако батерията не се движи свободно, тя не е била поставена правилно.

Система за защита на инструмента /акумулаторната батерия

Инструментът е оборудван със система за защита на инструмента/акумулаторната батерия. Тази система автоматично прекъсва захранването, за да осигури по-дълъг живот на инструмента и акумулаторната батерия. Инструментът ще спре автоматично по време на работа, ако инструментът или батерията се намират в едно от следните условия:

Защита срещу претоварване

Тази защита действа, когато инструментът се използва по начин, който налага използването на прекалено много ток. В такъв случай изключете инструмента и прекратете му по начина, който го претоварва. След това включете инструмента за повторно стартиране.

Защита срещу прегряване

Тази защита действа, когато инструментът или батерията са прегрели. При това положение оставете инструмента и батерията да се охладят, преди да включите инструмента отново.

Защита срещу прекомерно разреждане

Тази защита действа, когато оставащият капацитет на акумулаторната батерия намалее. В този случай извадете батерията от инструмента и я заредете.

Индикация на оставащия капацитет на акумулаторната батерия

Само за акумулаторни батерии с индикатор

► Фиг.2: 1. Светлинни индикатори 2. Бутон за проверка

Натиснете бутона за проверка на акумулаторната батерия за показване на оставащия заряд на батерията. Светлинните индикатори ще светнат за няколко секунди.

Светлинни индикатори			Оставащ заряд на батерията
Свети	Изкл.	Мига	
■	□	▬	
■ ■ ■ ■			75% до 100%
■ ■ ■ □			50% до 75%
■ ■ □ □			25% до 50%
■ □ □ □			0% до 25%
▬ □ □ □			Заредете батерията.
■ ■ □ □			Батерията може да не работи правилно.
□ □ ■ ■	↑ ↓		

ЗАБЕЛЕЖКА: В зависимост от условията на употреба и околната температура е възможно показаната леко да се различават от действителния капацитет.

ЗАБЕЛЕЖКА: Първият (краен ляв) светлинен индикатор ще мига, когато системата за защита на батерията функционира.

Регулиране на наклона на рамото

Рамото може да се завърта и фиксира на всеки желан ъгъл в интервала „А“ (от -5° до 90°), показан на фигурата. Регулирайте ъгъла до удобна за работа позиция. Освободете заключващия лост, като го вдигнете. Завъртете рамото до желаната позиция и застопорете заключващия лост, за да фиксирате добре рамото.

► Фиг.3: 1. Заключващ лост 2. Рамо

Смяна на рамото

Ленти с ширина 6 мм (1/4") и 13 мм (1/2") могат да бъдат монтирани с допълнителните рамена, които са предвидени за съответните ширини на лентата. Развийте винта, който застопорява рамото, и сменете стандартното рамо с допълнителното, след което затегнете здраво винта.

► Фиг.4: 1. Винт 2. Рамо

Действие на превключвателя

▲ ПРЕДУПРЕЖДЕНИЕ: За ваша безопасност този инструмент е снабден с блокиращ превключвател, който предотвратява неволното стартиране на инструмента. НИКОГА не използвайте инструмента, ако той сработва, когато сте натиснали само пусковия прекъсвач, без да сте освободили блокиращия превключвател. Отнесете инструмента в упълномощен сервизен център за ремонт ПРЕДИ по-нататъшна употреба.

▲ ВНИМАНИЕ: Преди да поставите акумулаторната батерия в инструмента, винаги проверявайте дали пусковия прекъсвач се задейства правилно и се връща в позиция „OFF“ (ИЗКЛ.) при освобождаването му. Работа с инструмент с прекъсвач, който не функционира правилно, може да доведе до загуба на контрол и до сериозно телесно нараняване.

БЕЛЕЖКА: Не натискайте силно пусковия прекъсвач, без да сте освободили блокиращия превключвател. Това може да доведе до счупване на прекъсвача.

БЕЛЕЖКА: Блокиращият превключвател не може да бъде освободен при завъртяно на ъгъл по-голям от 90° рамо.

За предотвратяване на случайното натискане на пусковия прекъсвач е предвиден блокиращ превключвател. Натиснете пусковия лост (A) от страна А, за да освободите пусковия прекъсвач, и (B) от страна В, за да го блокирате.

► Фиг.5: 1. Блокиращ превключвател

За да стартирате инструмента, натиснете пусковия прекъсвач. Освободете пусковия прекъсвач, за да спре инструмента.

За непрекъсната работа натиснете пусковия прекъсвач и натиснете фиксиращия бутон. За да изключите инструмента от състояние на фиксиран прекъсвач, натиснете докрай пусковия прекъсвач и след това го отпуснете.

► Фиг.6: 1. Фиксиращ бутон 2. Пусков прекъсвач

Включване на предната лампичка

⚠ ВНИМАНИЕ: Не гледайте директно в светлинния източник.

Посоката на осветяване може да се регулира на три нива през ъгъл от 60°. Натиснете пусковия прекъсвач, за да включите лампата. За да я изключите, го освободете. Лампата угасва приблизително 10 секунди след отпускане на пусковия прекъсвач.

► Фиг.7: 1. Лампа

ЗАБЕЛЕЖКА: Когато инструментът прегрее, лампата премивга за една минута. В този случай оставете инструмента да изстине, преди да работите с него отново.

ЗАБЕЛЕЖКА: Използвайте суха кърпа, за да изчистите полепналата по лупата на лампата мръсотия. Внимавайте да не надраскате лупата на лампата, тъй като това ще влоши осветяването.

Пръстен за регулиране на оборотите

Скоростта на лентата може да се регулира между 600 м и 1 700 м в минута (1 970 - 5 600 фута/мин), като се завърти регулаторът на скоростта до определена стойност от 1 до 5.

Скоростта се увеличава, когато регулаторът се върти по посока на числото 5. Скоростта се понижава, когато регулаторът се върти по посока на числото 1. Изберете подходящата скорост в зависимост от обработвания детайл, който ще шлифувате.

⚠ ВНИМАНИЕ: Регулаторът на скоростта може да се завърта само между числата, изписани върху него. Не прилагайте голяма сила, за да завъртите регулатора извън този диапазон, или регулирането на скоростта може да не функционира.

► Фиг.8: 1. Пръстен за регулиране на оборотите

СГЛОБЯВАНЕ

⚠ ВНИМАНИЕ: Преди да извършите някакви дейности по инструмента, задължително проверете дали той е изключен и акумулаторната батерия е извадена.

Демонтиране и монтиране на абразивна лента

Изтеглете гърбичния лост назад, за да освободите обтягането на лентата, и свалете лентата.

За монтиране на лентата първо поставете едната ѝ страна върху задната шайба, закачете другата ѝ страна на предната шайба, след което върнете гърбичния лост в първоначалното му положение.

► Фиг.9: 1. Гърбичен лост 2. Абразивна лента 3. Задна шайба 4. Предна шайба

Регулиране на хода на лентата

Погрижете се лентата да е центрирана спрямо рамото правилно, като направите пробен пуск на бавна скорост. Използвайте винта с крилчата глава, за да центрирате хода на лентата. Завъртете винта в посока на часовниковата стрелка, за да наклоните рамото надясно, като гледате отдолу инструмента с насочено напред рамо, и обратно на часовниковата стрелка за накланяне наляво.

► Фиг.10: 1. Рамо 2. Винт с крилчата глава

Монтиране на страничната дръжка

⚠ ВНИМАНИЕ: Затегнете здраво винта с крилчата глава, преди да пристъпите към работа.

⚠ ВНИМАНИЕ: Избягвайте да упражнявате голяма странична сила върху страничната дръжка, тъй като закрепването на основата ѝ се разхлабва и инструментът може да падне, причинявайки щети или телесни наранявания при следните условия:

- Прилагане на силен удар върху страничната дръжка по време на работа
- Невнимателен захват на инструмента само с една ръка върху страничната дръжка
- Носене на инструмента само с една ръка върху страничната дръжка

Страничната дръжка (допълнителна ръкохватка) подпомага да се държи здраво инструмента по време на работа.

1. Навийте ръкохватката в гайката за стягане, разположена в основата на ръкохватката.

► Фиг.11: 1. Ръкохватка 2. Основа на ръкохватката 3. Гайка за стягане

2. Развийте винта с крилчата глава в основата на ръкохватката.

Прикрепете основата към корпуса на двигателя, като центрирате заключващото езице на основата с кухия жлеб в повърхността на корпуса.

Затегнете винта с крилчата глава, за да закрепите дръжката.

► Фиг.12: 1. Винт с крилчата глава 2. Корпус на двигателя

Свързване с прахосмукачка Makita

⚠ ВНИМАНИЕ: Винаги затваряйте капачката на крайника, когато към крайника не е свързана прахосмукачка. Никога не си пъхайте пръстите в крайника.

БЕЛЕЖКА: Прочетете ръководството за експлоатация, доставено с прахосмукачката, преди да я използвате.

ЗАБЕЛЕЖКА: За да се направи свързването, може да се наложи използването на допълнителни предни маншети 22, съединителни части или преходник на инструмента в зависимост от системата на вашата прахосмукачка.

Шлифването може да се изпълни по-чисто чрез свързване на лентовата шлайфмашина към прахосмукачка Makita.

Отворете капачката на крайника и монтирайте крайник за събиране на прах.

Свържете маркуча на прахосмукачката към крайника за събиране на прах.

► Фиг.13: 1. Крайник за събиране на праха 2. Предни маншети/съединителна част/преходник 3. Маркуч на прахосмукачката 4. Прахосмукачка

Експлоатация

⚠ВНИМАНИЕ: Закрепете обработвания детайл със скоби и др., ако е възможно да се движи по време на работа.

⚠ВНИМАНИЕ: Избягвайте шлифование на запалими материали, например алуминий и магнезий. Това може да доведе до пожар, експлозия или опасност от нараняване.

⚠ВНИМАНИЕ: Погрижете се никоя част на шлифоващата лента да не е поставена върху повърхността на обработвания детайл, преди да включвате или изключвате инструмента. В противен случай ще се влоши шлифованата повърхност, ще се повреди лентата или ще загубите контрол върху инструмента.

⚠ВНИМАНИЕ: Избягвайте контакт на тялото си с лентата и въртящите се части на инструмента по време на работа. Винаги следете за присъствие на странични листа и околната обстановка и бъдете нащрек за възможни опасности.

⚠ВНИМАНИЕ: Не се опитвайте да държите и да работите с инструмент, обърнат с горната част надолу. Това може да причини сериозни злополуки, водещи до телесни наранявания.

Включете инструмента и изчакайте, докато достигне пълната си скорост. Дръжте инструмента здраво с двете си ръце. Внимателно поставете инструмента върху повърхността на обработвания детайл и придвижвайте инструмента напред и назад.

► Фиг.14

► Фиг.15

За шлифование на детайл винаги използвайте разстоянието „С“ (между края на хоризонталната опора и предната шайба), посочен на фигурата. Притискайте леко лентата към обработвания детайл. Прекомерният натиск може да повреди лентата и да съкрати живота на инструмента.

► Фиг.16: 1. Хоризонтална опора 2. Предна шайба

ПОДДРЪЖКА

⚠ВНИМАНИЕ: Преди да проверявате или извършвате поддръжка на инструмента, се уверете, че той е изключен и акумулаторната батерия е извадена.

БЕЛЕЖКА: Не използвайте бензин, нафта, разреждател, спирт и др. подобни. Това може да причини обезцветяване, деформация или пукнатини.

За да се поддържа БЕЗОПАСНОСТТА и НАДЕЖНОСТТА на продукта, ремонтите, поддръжката или регулирането трябва да се извършват от упълномощен сервиз или фабрични сервизни центрове на Makita, като винаги трябва да използвате резервни части от Makita.

Съхранение

⚠ВНИМАНИЕ: Внимавайте да не защитете пръстите си при преместване на рамото. В противен случай може да се нараните.

Рамото може да се премести под ъгъл до 160°. Сгънете рамото нагоре, за да спестите пространство при съхраняването на инструмента.

1. Освободете заключващия лост, като го вдигнете. Завъртете рамото на ъгъл 90°.
2. Натиснете и задръжте плъзгача и след това регулирайте ъгъла на рамото в диапазон „В“ (от 90° до 160°), посочен на фигурата.

► Фиг.17: 1. Заключващ лост 2. Плъзгач 3. Рамо

3. Застопорете заключващия лост, за да се фиксира рамото.

► Фиг.18: 1. Заключващ лост 2. Блокиращ превключвател

БЕЛЕЖКА: Блокиращият превключвател автоматично се активира, когато рамото се завърти под ъгъл по-голям от 90°.

ДОПЪЛНИТЕЛНИ АКСЕСОАРИ

⚠ВНИМАНИЕ: Препоръчва се използването на тези аксесоари или крайници с вашия инструмент Makita, описан в настоящото ръководство. Използването на други аксесоари или крайници може да доведе до опасност от телесни повреди. Използвайте съответния аксесоар или крайник само по предназначение.

Ако имате нужда от помощ за повече подробности относно тези аксесоари, се обърнете към местния сервизен център на Makita.

- Комплект крайник за събиране на прах
- Рамо (6, 9, 13 мм (1/4", 3/8", 1/2"))
- Абразивни ленти
- Пълен комплект прахозащитен капак
- Пълен комплект маркуч 28
- Предни маншети
- Оригинална акумулаторна батерия и зарядно устройство на Makita

ЗАБЕЛЕЖКА: Някои артикули от списъка може да са включени в комплекта на инструмента, като стандартни аксесоари. Те може да са различни в различните държави.

SPECIFIKACIJE

Model:	DBS180
Veličina trake	9 mm x 533 mm
Brzina trake	600 - 1.700 m/min
Ukupna dužina	500 mm *1
Nazivni napon	DC 18 V
Neto težina	2,1 kg

*1. S brusnom trakom i baterijskim uloškom (BL1860B).

- Zahvaljujući našem stalnom programu razvoja i istraživanja, navedene specifikacije podložne su promjenama bez obavijesti.
- Specifikacije mogu biti različite ovisno o zemlji.
- Težina s baterijskim uloškom prema postupku EPTA 01/2014

Odgovarajući baterijski uložak i punjač

Baterija	BL1815N / BL1820 / BL1820B / BL1830 / BL1830B / BL1840 / BL1840B / BL1850 / BL1850B / BL1860B
Punjač	DC18RC / DC18RD / DC18RE / DC18SD / DC18SE / DC18SF / DC18SH

- Neki od navedenih baterijskih uložaka i punjača možda neće biti dostupni ovisno o regiji u kojoj se nalazite.

⚠ UPOZORENJE: Upotrebljavajte samo navedene baterijske uloške i punjače. Upotreba bilo koje druge vrste baterijskih uložaka i punjača može prouzročiti ozljede i/ili požar.

Namjena

Alat je namijenjen za brušenja drva, metala i plastike, kao i obojenih površina.

Buka

Tipična jačina buke označena s A, određena sukladno EN62841-2-4:

Razina tlaka zvuka (L_{pA}): 77 dB (A)
Neodređenost (K): 3 dB (A)

NAPOMENA: Deklarirana vrijednost emisije buke izmjerena je prema standardnoj metodi testiranja i može se rabiti za usporedbu jednog alata s drugim.

NAPOMENA: Deklarirana vrijednost emisije buke također se može rabiti za preliminarnu procjenu izloženosti.

⚠ UPOZORENJE: Nosite zaštitu za uši.

⚠ UPOZORENJE: Emisija buke tijekom stvarnog korištenja električnog ručnog alata se može razlikovati od deklariranih vrijednosti emisije, ovisno o načinu na koji se alat rabi, posebice ovisno o tome kakav se izradak izrađuje.

⚠ UPOZORENJE: Nemojte zaboraviti da identifikirate sigurnosne mjere zaštite rukovatelja koje se temelje na procjeni izloženosti u stvarnim uvjetima korištenja (uzimajući u obzir sve dijelove radnog ciklusa, poput vremena kada je alat isključen i kada on radi u praznom hodu, a također i vrijeme okidanja).

Vibracija

Ukupna vrijednost vibracija (troosni vektorski zbir) izračunata u skladu s EN62841-2-4:

Način rada: pogon bez opterećenja
Emisija vibracija (a_h): 2,5 m/s² ili manje
Neodređenost (K): 1,5 m/s²

NAPOMENA: Deklarirana vrijednost ukupnih vibracija izmjerena je prema standardnoj metodi testiranja i može se rabiti za usporedbu jednog alata s drugim.

NAPOMENA: Deklarirana vrijednost ukupnih vibracija također se može rabiti za preliminarnu procjenu izloženosti.

⚠ UPOZORENJE: Emisija vibracija tijekom stvarnog korištenja električnog ručnog alata se može razlikovati od deklariranih vrijednosti emisije, ovisno o načinu na koji se alat rabi, posebice ovisno o tome kakav se izradak izrađuje.

⚠ UPOZORENJE: Nemojte zaboraviti da identifikirate sigurnosne mjere zaštite rukovatelja koje se temelje na procjeni izloženosti u stvarnim uvjetima korištenja (uzimajući u obzir sve dijelove radnog ciklusa, poput vremena kada je alat isključen i kada on radi u praznom hodu, a također i vrijeme okidanja).

Izjava o sukladnosti EZ

Samo za države članice Europske unije

Izjava o sukladnosti EZ u pravitku je Priloga A ovih uputa za upotrebu.

SIGURNOSNA UPOZORENJA

Opća sigurnosna upozorenja za električne ručne alate

▲ UPOZORENJE: Pročitajte sva sigurnosna upozorenja, upute, ilustracije i specifikacije priložene uz ovaj električni ručni alat. Nepridržavanje svih uputa navedenih u nastavku može rezultirati strujnim udarom, požarom i/ili ozbiljnim ozljedama.

Sačuvajte sva upozorenja i upute radi kasnijeg korištenja.

Pojam „električni alat“ u upozorenjima odnosi se na električni (kabelski) alat uključen u struju ili na bežične električne alate (na baterije).

SIGURNOSNA UPOZORENJA ZA BEŽIČNU TRAČNU BRUSILICU

1. Dovoljno prozračite radno područje prilikom brušenja.
2. Neki materijali sadrže kemikalije koje mogu biti toksične. Poduzmite potrebne mjere opreza da biste spriječili udisanje prašine i dodir s kožom. Pročitajte sigurnosno-tehnički list dobavljača materijala.
3. Uvijek upotrebljavajte ispravnu masku za prašinu/respirator sukladno materijalu s kojim radite i vrsti primjene.
4. Uvijek upotrebljavajte zaštitne naočale. Obične ili sunčane naočale NISU zaštitne naočale.
5. Alat držite čvrsto objema rukama.
6. Prije nego što se sklopka uključi, pazite da traka ne dodiruje izradak.
7. Držite ruke podalje od dijelova koji se okreću.
8. Ne ostavljajte alat da radi. Alat upotrebljavajte isključivo držeći ga u ruci.
9. Ovaj alat nije voodootporan pa nemojte upotrebljavati vodu na površini izradka.

ČUVAJTE OVE UPUTE.

▲ UPOZORENJE: NEMOJTE dozvoliti da udobnost ili znanje o proizvodu (stečeno stalnim korištenjem) zamijene strogo pridržavanje sigurnosnih propisa za određeni proizvod. ZLOUPORABA ili nepridržavanje sigurnosnih propisa navedenih u ovom priručniku s uputama mogu prouzročiti ozbiljne ozljede.

Važne sigurnosne upute za bateriju

1. Prije uporabe baterije pročitajte sve upute i oznake upozorenja na (1) punjaču za baterije, (2) bateriji i (3) proizvodu koji koristi bateriju.
2. Nemojte rastavljati ili izmjenjivati baterijski uložak. To može dovesti do požara, pretjeranog zagrijavanja ili eksplozije.
3. Ako se vrijeme rada znatno skratilo, odmah prestanite raditi. Može doći do pregrijavanja, mogućih opekline pa čak i eksplozije.
4. Ako vam elektrolit dospje u oči, isperite ih čistom vodom i odmah se obratite liječniku. Tako možete izgubiti vid.

5. Nemojte kratko spajati bateriju:
 - (1) Ne dovodite terminale u kontakt s provodljivim materijalima.
 - (2) Ne čuvajte bateriju u spremniku s drugim metalnim predmetima poput čavala, kovanica itd.
 - (3) Ne izlažite bateriju vodi ili kiši. Kratki spoj baterije može uzrokovati velik protok struje, pregrijavanje, moguće opekline pa čak i kvar.
6. Ne držite i ne upotrebljavajte alat i baterijski uložak na mjestima gdje temperatura može premašiti 50 °C (122 °F).
7. Ne spaljujte bateriju čak ni ako je ozbiljno oštećena ili potpuno istrošena. Baterija može eksplodirati u vatri.
8. Nemojte zabijati čavle u baterijski uložak, rezati ga, gnječiti, bacati ili udarati tvrdim predmetom. Ti postupci mogu dovesti do požara, pretjeranog zagrijavanja ili eksplozije.
9. Ne koristite oštećene baterije.
10. Sadržane litij-ionske baterije podliježu odredbama zakonskih propisa o opasnim tvarima. Kada se radi o komercijalnom transportu koji obavljaju npr. dobavljači ili špediteri, moraju se poštovati posebni zahtjevi na pakiranju i oznakama. Prilikom pripreme isporuke takve stavke potražite savjet stručnjaka za opasne tvari. Pogledajte i moguće detaljnije nacionalne propise. Prekrijite trakom ili zaštitite otvorene kontakte i bateriju zapakirajte tako da se ne može pomicati u pakiranju.
11. Kada odlažete baterijski uložak u otpad, uklonite ga iz alata i zbrinite na sigurnom mjestu. Pridržavajte se lokalnih zakonskih propisa za zbrinjavanje baterija.
12. Upotrebljavajte baterije samo s proizvodima koje je odobrila tvrtka Makita. Umetanje baterija u neprikladne proizvode može dovesti do požara, prekomjerne topline, eksplozije ili curenja elektrolita.
13. Ako se alat ne upotrebljava dulje vrijeme, bateriju morate ukloniti iz alata.
14. Tijekom i nakon upotrebe baterijski uložak može se zagrijati i prouzročiti opekline višeg ili nižeg stupnja. Pažljivo rukujte vrućim baterijskim ulošcima.
15. Nemojte dirati priključak alata neposredno nakon upotrebe jer se može zagrijati toliko da prouzroči opekline.
16. Ne dopustite da krhotine, prašina ili zemlja zapnu u priključcima, otvorima i urezima baterijskog uloška. To može dovesti do neispravnog rada ili kvara alata ili baterijskog uloška.
17. Ako alat ne podržava upotrebu u blizini visokonaponskih električnih vodova, nemojte upotrebljavati baterijski uložak u blizini visokonaponskih električnih vodova. To može dovesti do neispravnog rada ili kvara alata ili baterijskog uloška.
18. Bateriju čuvajte podalje od djece.

ČUVAJTE OVE UPUTE.

▲ OPREZ: Uvijek upotrebljavajte originalne baterije Makita. Upotreba baterija koje nisu originalne baterije Makita ili su izmijenjene može dovesti do rasprskavanja baterije i uzrokovati požar, tjelesnu ozljedu ili štetu. To će također poništiti jamstvo tvrtke Makita za alat i punjač Makita.

Savjeti za održavanje najduljeg vijeka trajanja baterije

1. **Napunite bateriju prije nego što se potpuno isprazni. Uvijek zaustavite alat i napunite bateriju kad primijetite da alat slabije radi.**
2. **Nikad ne puniti već do kraja napunjenu bateriju. Pretjerano punjenje skraćuje radni vijek baterije.**
3. **Bateriju puniti na sobnoj temperaturi između 10 °C i 40 °C. Vruću bateriju prije punjenja ostavite da se ohladi.**
4. **Kada ne upotrebljavate baterijski uložak, uklonite ga iz alata ili punjača.**
5. **Napunite bateriju ako je ne mislite koristiti duže vrijeme (duže od 6 mjeseci).**

FUNKCIONALNI OPIS

⚠ OPREZ: Prije podešavanja ili provjere rada alata obavezno provjerite je li stroj isključen i baterija uklonjena.

Umetanje ili uklanjanje baterije

⚠ OPREZ: Uvijek isključite alat prije umetanja ili uklanjanja baterije.

⚠ OPREZ: Čvrsto držite alat i bateriju pri umetanju ili uklanjanju baterije. Ako alat i bateriju ne držite čvrsto, mogli bi vam iskliznuti iz ruku te oštetiti alat i bateriju ili uzrokovati osobnu ozljedu.

► **Sl.1:** 1. Crvena oznaka 2. Gumb 3. Baterija

Za uklanjanje bateriju gurnite van iz alata pritiskom gumba na prednjoj strani uložka.

Za umetanje baterijskog uložka poravnajte jezičac na baterijskom uložku s uutorom na kućištu i gurnite ga na mjesto. Umetnite baterijski uložak do kraja dok ne sjedne na svoje mjesto uz mali klik. Ako možete vidjeti crvenu oznaku na gornjoj strani gumba, baterijski uložak nije do kraja sjeo na svoje mjesto.

⚠ OPREZ: Uvijek umetnite baterijski uložak do kraja tako da ne možete vidjeti crvenu oznaku. U suprotnom može slučajno ispasti iz alata, što može dovesti do ozljede vas ili nekog u blizini.

⚠ OPREZ: Ne umećite bateriju silom. Ako baterija ne klizne lagano, znači da nije ispravno umetnuta.

Sustav zaštite alata/baterije

Ovaj alat sadrži sustav zaštite alata/baterije. Sustav automatski prekida napajanje da bi produžio radni vijek alata i baterije. Alat automatski prestaje raditi ako se alat ili baterija nađu u nekom od sljedećih uvjeta:

Zaštita od preopterećenja

Ta zaštita funkcionira kad se alatom upravlja na način koji dovodi do neuobičajeno velike potrošnje struje. U tom slučaju isključite alat i prestanite ga upotrebljavati na način koji je izazvao preopterećenje. Zatim uključite alat kako biste ga ponovno pokrenuli.

Zaštita od pregrijavanja

Ta zaštita funkcionira kad se alat ili baterija pregriju. U tom slučaju pričekajte da se alat ili baterija ohlade prije nego što ponovno pokrenete alat.

Zaštita od prekomjernog pražnjenja

Ta zaštita funkcionira kad se smanji preostali kapacitet baterije. U tom slučaju izvadite bateriju iz alata i napunite je.

Prikaz preostalog kapaciteta baterije

Samo za baterijske uloške s indikatorom

► **Sl.2:** 1. Žaruljice indikatora 2. Gumb za provjeru

Pritisnite gumb za provjeru na bateriji kako biste provjerili preostali kapacitet baterije. Žaruljica indikatora zasvijetliće na nekoliko sekundi.

Žaruljice indikatora			Preostali kapacitet
Svijetli	Isključeno	Treperi	
			75 % do 100 %
			50 % do 75 %
			25 % do 50 %
			0 % do 25 %
			Napunite bateriju.
			Baterija je možda neispravna.

NAPOMENA: Ovisno o uvjetima upotrebe i temperaturi okoline, prikaz indikatora može se donekle razlikovati od stvarnog kapaciteta.

NAPOMENA: Prva (krajnja lijeva) žaruljica indikatora treperiti će dok radi sustav za zaštitu baterije.

Prilagodba nagiba kraka

Krak možete okrenuti i fiksirati na željeni kut unutar raspona „A“ (-5° do 90°) na slici. Prilagodite kut da čini udoban radni položaj.

Otpustite ručicu za blokadu tako što ćete je podići. Okrenite krak u željeni položaj i pritegnite ručicu za blokadu da biste čvrsto fiksirali krak.

► **Sl.3:** 1. Ručica za blokadu 2. Krak

Zamjena kraka

Trake širine 6 mm (1/4") i 13 mm (1/2") mogu se instalirati s opcijskim kracima koji su dizajnirani za trake odgovarajuće širine. Olabavite vijak koji osigurava ručku i zamijenite standardnu ručku opcijskom i zatim čvrsto zategnite vijak.

► **Sl.4:** 1. Vijak 2. Krak



Uključivanje i isključivanje

⚠ UPOZORENJE: Radi vaše sigurnosti na alatu se nalazi sklopka za blokadu koji sprječava slučajno pokretanje alata. NIKADA ne upotrebljavajte alat ako radi i ako ste samo povukli uključno/isključnu sklopku, a niste pritisnuli sklopku za blokadu. Vratite alat u ovlašteni servisni centar na popravak PRIJE daljnje upotrebe.

⚠ OPREZ: Prije umetanja baterijskog uloška u alat uvijek provjerite radi li uključno/isključna sklopka ispravno i vraća li se u isključeni položaj „OFF” nakon otpuštanja. Rad s alatom na kojem sklopka ne radi ispravno može dovesti do gubitka kontrole i teških tjelesnih ozljeda.

NAPOMENA: Ne povlačite snažno uključno/isključnu sklopku ako niste pritisnuli sklopku za blokadu. Tako bi se sklopka mogla slomiti.

NAPOMENA: Sklopku za blokadu ne možete otpustiti dok je krak okrenut na preko 90°.

Kako bi se spriječilo nehotično povlačenje uključno/isključne sklopke, uređaj je opremljen sklopkom za blokadu. Pritisnite ručicu prekidača () sa A strane kako biste otključali uključno/isključnu sklopku te () s B strane kako biste je zaključali.

► **SI.5:** 1. Sklopka za deblokadu

Da biste pokrenuli alat, povucite uključno/isključnu sklopku. Otpustite uključno/isključnu sklopku da biste ga zaustavili. Za kontinuirani rad povucite uključno/isključnu sklopku, a zatim pritisnite gumb za blokadu. Da biste zaustavili alat iz položaja blokirane sklopke, povucite uključno/isključnu sklopku do kraja, a zatim je otpustite.

► **SI.6:** 1. Gumb za blokadu 2. Uključno/isključna sklopka

Uključuje se prednja žaruljica

⚠ OPREZ: Nemojte izravno gledati u svjetlo ili izvor svjetlosti.

Smjer svjetlosti možete prilagoditi na tri razine do kuta od 60°. Povucite uključno/isključnu sklopku da biste uključili žaruljicu. Otpustite je kako biste je isključili. Žaruljica se isključuje otprilike 10 sekundi nakon otpuštanja uključno/isključne sklopke.

► **SI.7:** 1. Žaruljica

NAPOMENA: Kada se alat pregrije, svjetlo treperi jednu minutu. U tom slučaju ohladite alat prije ponovnog korištenja.

NAPOMENA: Suhom krpom obrišite prijavštinu s leće žaruljice. Budite oprezni da ne zagrebete leću žaruljice jer to može smanjiti osvijetljenje.

Regulator brzine

Brzinu možete podešati od 600 m do 1.700 m u minuti (1.970 - 5.600 ft/min) okretanjem regulatora brzine do određenog broja od 1 do 5.

Viša brzina dobiva se kad se regulator okrene u smjeru broja 5. Niža brzina dobiva se kad se regulator okrene u smjeru broja 1. Odaberite pravilnu brzinu za brušenje izratka.

⚠ OPREZ: Regulator brzine možete okretati samo između brojeva naznačenih na njemu. Nemojte primjenjivati pretjeranu silu za okretanje regulatora izvan tog raspona, jer regulator možda neće raditi.

► **SI.8:** 1. Regulator brzine

MONTAŽA

⚠ OPREZ: Prije izvođenja bilo kakve radnje na alatu obavezno provjerite je li stroj isključen i baterija uklonjena.

Uklanjanje i instaliranje brusne trake

Povucite natrag ručicu vratila kako biste otpustili nape-stop trake i uklonite je.

Kako biste instalirali traku, postavite jednu stranu trake preko stražnje remenice, zakačite drugu stranu preko prednje remenice, a zatim postavite ručicu vratila u izvorni položaj.

► **SI.9:** 1. Ručica vratila 2. Brusna traka 3. Stražnja remenica 4. Prednja remenica

Podšavanje praćenja trake

Provjerite je li traka dobro poravnana s ručkom tijekom probnog rada pri niskoj brzini.

Upotrijebite plosnati vijak za centriranje praćenja trake. Vijak pritegnite u smjeru kazaljke na satu kako biste krak ukosili udesno dok gledate u alat s krakom okrenutim prema naprijed, a u smjeru suprotnom od kazaljke na satu kako biste ukosili ulijevo.

► **SI.10:** 1. Krak 2. Plosnati vijak

Instaliranje bočnog rukohvata

⚠ OPREZ: Čvrsto pritegnite vijak s plosnatom glavom prije rada.

⚠ OPREZ: Izbjegavajte primjenu jake vanjske sile na bočnu ručku, jer se postolja ručke olabavi te alat može pasti i uzrokovati štetu ili osobnu ozljedu u ako:

- primijenite potpuni pritisak na bočnu ručku tijekom rada
- alat labavo držite samo jednom rukom na bočnoj ručki
- alat nosite samo jednom rukom na bočnoj ručki

Bočna ručka (pomoćna ručka) pomaže vam da alat čvrsto držite tijekom rada.

1. Pritegnite ručku u priteznu maticu na postolju ručke.

► **SI.11:** 1. Ručka 2. Postolja ručke 3. Pritezna matica

2. Olabavite plosnati vijak u postolju ručke. Spojite postolje na cijev kućišta motora i poravnajte jezičak za zaključavanje na postolju s plitkim žlijebom na površini kućišta.

Zategnite plosnati vijak kako biste učvrstili ručku.

► **SI.12:** 1. Plosnati vijak 2. Kućište motora

Spajanje usisavača prašine Makita

⚠ OPREZ: Kada usisavač prašine nije priključen na mlaznicu, uvijek držite poklopac mlaznice zatvorenim. Nikad nemojte gurati prst u mlaznicu.

NAPOMENA: Prije upotrebe pročitajte priručnik s uputama koji je isporučen s usisavačem prašine.

NAPOMENA: Opcionalne prednje manšete 22, spojnice ili adapteri alata mogu biti potrebni za spajanje ovisno o sustavu usisavača prašine.

Brušenje s čišćenjem može se postići spajanjem tračne brusilice s usisavačem prašine tvrtke Makita.

Otvorite poklopac mlaznice i instalirajte mlaznicu za prašinu.

Spojite crijevo usisavača prašine na mlaznicu za prašinu.

► **SI.13:** 1. Mlaznica za prašinu 2. Prednja manšeta / spojnica / adapter 3. Crijevo usisavača prašine 4. Usisivač prašine

RAD

⚠ OPREZ: Učvrstite izradak spojnica itd. ako se možda pomiče tijekom rada.

⚠ OPREZ: Izbjegavajte bilo kakvo brušenje na zapaljivim materijalima kao što su aluminij i magnezij. Može doći do požara, eksplozije ili opasnosti od ozljede.

⚠ OPREZ: Pobrinite se da nijedan dio trake nije na površini izratka prije nego što alat uključite ili isključite. Inače može doći do loših rezultata brušenja, oštećenja trake ili gubitka kontrole nad uređajem.

⚠ OPREZ: Izbjegavajte kontakt tijela i trake i rotirajućih dijelova alata tijekom rada. Uvijek pazite na okolinu i osobe koje stoje oko vas te budite na oprezu zbog mogućih opasnosti.

⚠ OPREZ: Nemojte rukovati niti raditi s alatom okrenutim naopako. To može prouzročiti ozbiljan incident koji može uzrokovati osobnu ozljedu.

Uključite stroj i pričekajte da dosegne maksimalni broj okretaja. Alat držite čvrsto objema rukama. Nježno primijenite alat na površinu izratka i pomičite ga naprijed i natrag.

► **SI.14**

► **SI.15**

Uvijek upotrebljavajte raspon „C“ (između kraja ravne podloge i prednje remenice) na slici za brušenje izratka. Traku pritisnite lagano na izradak. Prekomjerni pritisak može oštetiti traku i skratiti vijek trajanja alata.

► **SI.16:** 1. Ravna podloga 2. Prednja remenica

ODRŽAVANJE

⚠ OPREZ: Prije svih zahvata na stroju provjerite jeste li isključili stroj i uklonili bateriju.

NAPOMENA: Nikada nemojte koristiti benzin, mješavinu benzina, razrjeđivač, alkohol ili slično. Kao rezultat toga može se izgubiti boja, pojaviti deformacija ili pukotine.

Da biste zadržali SIGURNOST I POUZDANOST proizvoda, održavanje ili namještanja trebali biste prepustiti ovlaštenim servisnim ili tvorničkim centrima tvrtke Makita; uvijek rabite originalne rezervne dijelove.

Skладиštenje

⚠ OPREZ: Pazite da ne pričepite prste kad pomičete krak. U suprotnom može doći do tjelesnih ozljeda.

Krak možete pomicati do kuta od 160°. Preklopite krak kako biste uštedjeli prostor.

1. Otpustite ručicu za blokadu tako što ćete je podići. Okrenite krak pod kutom od 90°.
2. Gurnite i držite gumb klizača pa prilagodite kut kraka u rasponu „B“ (90° do 160°) na slici.
► **SI.17:** 1. Ručica za blokadu 2. Gumb klizača 3. Krak
3. Pritegnite ručicu da učvrstite krak.
► **SI.18:** 1. Ručica za blokadu 2. Sklopka za deblokadu

NAPOMENA: Sklopka za deblokadu automatski se aktivira kad je krak okrenut na više od 90°.

DODATNI PRIBOR

⚠ OPREZ: Ovaj dodatni pribor ili priključci preporučuju se samo za upotrebu s alatom Makita navedenim u ovom priručniku. Upotreba bilo kojeg drugog dodatnog pribora ili priključaka može prouzročiti ozljede. Upotrebljavajte dodatni pribor ili priključak samo za njegovu navedenu svrhu.

Ako vam je potrebna pomoć za više detalja u pogledu ovih dodatnih pribora, obratite se najbližem Makita servisnom centru.

- Sklop mlaznice za prašinu
- Krak (6, 9, 13 mm (1/4", 3/8", 1/2"))
- Brusne trake
- Komplet poklopca za prašinu
- Komplet crijeva 28
- Prednje manšete
- Izvorna Makita baterija i punjač

NAPOMENA: Neke stavke iz popisa se mogu isporučiti zajedno sa strojem kao standardni dodatni pribori. Oni mogu biti različiti ovisno o zemlji.

СПЕЦИФИКАЦИИ

Модел:	DBS180
Големина на појас	9 мм x 533 мм
Брзина на појас	600 - 1.700 м/мин.
Вкупна должина	500 мм *1
Номинален напон	D.C. 18 V
Нето тежина	2,1 кг

*1. Со абразивен појас и касета за батерија (BL1860B).

- Поради нашата континуирана програма за истражување и развој, спецификациите тука подлежат на промена без најава.
- Спецификациите може да се разликуваат од држава до држава.
- Тежина, со касетата за батерија, во согласност со постапката на ЕРТА 01/2014

Применлива касета за батерија и полнач

Касета за батерија	BL1815N / BL1820 / BL1820B / BL1830 / BL1830B / BL1840 / BL1840B / BL1850 / BL1850B / BL1860B
Полнач	DC18RC / DC18RD / DC18RE / DC18SD / DC18SE / DC18SF / DC18SH

- Некои од касетите за батерии и полначите наведени погоре може да не се достапни зависно од регионот во кој живеете.

▲ПРЕДУПРЕДУВАЊЕ: Користете ги само касетите за батерии и полначите наведени погоре. Користењето какви било поинакви касети за батерии и полначи може да создаде ризик од повреда и/или пожар.

Наменета употреба

Алатот е наменет за шмирглање на големи површини дрво, пластика и метал, како и на бојосани површини.

Бучава

Типична А-вредност за ниво на бучавата одредена во согласност со EN62841-2-4:
Ниво на звучниот притисок (L_{pA}) : 77 dB (A)
Отстапување (K): 3 dB (A)

НАПОМЕНА: Номиналната вредност(и) за емисија на бучава е измерена во согласност со стандардни методи за испитување и може да се користи за споредување алати.

НАПОМЕНА: Номиналната вредност(и) за емисија на бучава може да се користи и како прелиминарна процена за изложеност.

▲ПРЕДУПРЕДУВАЊЕ: Носете заштита за ушите.

▲ПРЕДУПРЕДУВАЊЕ: Емисијата на бучава при фактичкото користење на алатот може да се разликува од номиналната вредност(и), зависно од начинот на којшто се користи алатот, особено од тоа како вид работен материјал се обработува.

▲ПРЕДУПРЕДУВАЊЕ: Погрижете се да ги утврдите безбедносните мерки за заштита на лицето кое ракува со алатот врз основа на процена на изложеноста при фактичките услови на употреба (земајќи ги предвид сите делови на работниот циклус, како периодите кога електричниот алат е исклучен и кога работи во празен од, не само кога е активен).

Вибрации

Вкупна вредност на вибрациите (векторска сума на три оски) одредена во согласност со EN62841-2-4:
Работен режим: работа без оптоварување
Ширење вибрации (a_h) : 2,5 м/с² или помалку
Отстапување (K): 1,5 м/с²

НАПОМЕНА: Вкупната вредност(и) на номиналната јачина на вибрациите е измерена во согласност со стандардни методи за испитување и може да се користи за споредување алати.

НАПОМЕНА: Вкупната вредност(и) на номиналната јачина на вибрациите може да се користи и како прелиминарна процена за изложеност.

▲ПРЕДУПРЕДУВАЊЕ: Јачината на вибрациите при фактичкото користење на алатот може да се разликува од номиналната вредност(и), зависно од начинот на којшто се користи алатот, особено од тоа како вид работен материјал се обработува.

▲ПРЕДУПРЕДУВАЊЕ: Погрижете се да ги утврдите безбедносните мерки за заштита на лицето кое ракува со алатот врз основа на процена на изложеноста при фактичките услови на употреба (земајќи ги предвид сите делови на работниот циклус, како периодите кога електричниот алат е исклучен и кога работи во празен од, не само кога е активен).

Декларација за сообразност од ЕУ

Само за земјите во Европа

Декларацијата за сообразност од ЕУ е вклучена во Додаток А од упатствата за корисникот.

БЕЗБЕДНОСНИ ПРЕДУПРЕДУВАЊА

Општи упатства за безбедност за електричните алати

▲ ПРЕДУПРЕДУВАЊЕ: Прочитајте ги сите безбедносни предупредувања, упатства, илустрации и спецификации дадени со електричниот алат. Ако не се почитуваат сите упатства наведени подолу, може да дојде до струен удар, пожар и/или сериозни повреди.

Чувајте ги сите предупредувања и упатства за да може повторно да ги прочитате.

Под терминот „електричен алат“ во предупредувањата се мисли на вашиот електричен алат кој работи на струја (со кабел) или на батерии (безжично).

БЕЗБЕДНОСНИ ПРЕДУПРЕДУВАЊА ЗА БЕЗЖИЧНАТА ШМИРГЛА-ПОЈАС

1. Кога шмирглате, проветрувајте ја работната просторија соодветно.
2. Некои материјали содржат хемикалии што може да бидат токсични. Избегнувајте вдишување на правта и избегнувајте контакт на правта со кожата. Следете ги упатствата од производителот на материјалот.
3. Секогаш користете ги соодветните маска за прав/респиратор за материјалот што го користите и за одредената примена.
4. Секогаш користете безбедносни или заштитни очила. Обичните очила или очилата за сонце НЕ СЕ заштитни очила.
5. Држете го алатот цврсто со двете раце.
6. Внимавајте појасот да не го допира материјалот пред да се вклучи прекинувачот.
7. Не допирајте ги вртливите делови.
8. Не оставајте го алатот вклучен. Работете со алатот само кога го држите во раце.
9. Овој алат не е водоотпорен, затоа немојте да користите вода на површината на работниот материјал.

ЧУВАЈТЕ ГО УПАТСТВОТО.

▲ ПРЕДУПРЕДУВАЊЕ: НЕ ДОЗВОЛУВАЈТЕ удобноста или познавањето на производитот (стекнати со подолга употреба) да ве наведат да не се придржувате строго до безбедносните правила за овој производ. ЗЛОУПОТРЕБАТА или непочитувањето на безбедносните правила наведени во ова упатство може да предизвикаат тешка телесна повреда.

Важни безбедносни упатства за касетаа за батеријата

1. Пред користење на касетаа за батеријата, прочитајте ги сите упатства и ознаки за претпазливост на (1) полначот за батеријата, (2) батеријата и (3) производитот што ја користи батеријата.
2. Не расклопувајте ја, ниту експериментирајте со касетаа за батеријата. Тоа може да резултира со оган, прекумерна топлина или експлозија.
3. Ако оперативното времето станало прекумерно кратко, престанете веднаш со работа. Тоа може да резултира со ризик од прегревање, можни изгореници, па дури и експлозија.
4. Ако електролит навлезе во вашите очи, измијте ги со чиста вода и побарајте медицинска нега веднаш. Тоа може да резултира со губење на вашиот вид.
5. Не предизвикувајте спој на касетаа за батеријата.
 - (1) Не допирајте ги контактите со никаков проводлив материјал.
 - (2) Избегнувајте да ја чувате касетаа за батерија во сад со други метални предмети како што се шајки, монети и сл.
 - (3) На изложувајте ја касетаа за батеријата на вода или дожд.Краткиот спој на батеријата може да предизвика голем проток на електрична енергија, прегревање, можни изгореници, па дури и пад на напојувањето.
6. Не складирајте и не користете ги алатот и касетаа за батеријата на места каде што температурата може да достигне или надминува 50 °C (122 °F).
7. Не палете ја касетаа за батеријата дури и кога е многу оштетена или целосно потрошена. Касетаа за батеријата може да експлодира ако се стави во оган.
8. Не заковувајте ја, сечете ја, фрлајте ја, испуштајте ја касетаа за батерија, ниту удирајте ја од тврд предмет касетаа за батеријата. Таквото однесување може да резултира со оган, прекумерна топлина или експлозија.
9. Не користете оштетена батерија.
10. Содржаните батерии со литиумови јони се подложни на условите во Правилата за опасни предмети.

За комерцијален транспорт на пр. од трети лица и посредници, мора да се следат посебните услови на пакувањата или ознаките. При подготовка на предметот кој треба да се испрати, консултирајте се со експерт за опасни материјали. Исто така, следете ги потенцијално подеталните национални правила. Залепете ги со леплива лента или маскирајте ги отворените контакти, а батеријата спакувајте ја, така што нема да се движи слободно во пакувањето.

11. Кога ја фрлате во отпад касетата за батеријата, извадете ја од алатот и фрлете ја на безбедно место. Почитувајте ги локалните законски прописи што се однесуваат на фрлање во отпад на батеријата.
12. Користете ги батериите само со производителите назначени од Makita. Монтирањето батерии на неусогласените производи може да резултира со пожар, прекумерна топлина, експлозија или истекување на електролитот.
13. Доколку алатот не се користи подолг временски период, батеријата мора да се извади од алатот.
14. Пред и по употребата, касетата за батеријата може да прими топлина што може да предизвика изгореници или изгореници од ниска температура. Внимавајте како ракувате со жешките касети за батерии.
15. Не допирајте го терминалот на алатот непосредно по употребата бидејќи може да се загрее доволно за да предизвика изгореници.
16. Не дозволувајте деланки, прав или земја да се заглават во терминалите, отворите и жлебовите на касетата за батерија. Тоа може да резултира со слаба изведба или пад на напојувањето на алатот или касетата за батерија.
17. Освен ако алатката не поддржува употреба на електричните далноводи со висок напон во близина, не користете ја касетата за батерија во близина на електричните далноводи со висок напон. Тоа може да резултира со дефект или пад на напојувањето на алатот или касетата за батерија.
18. Држете ја батеријата подалеку од деца.

ЧУВАЈТЕ ГО УПАТСТВОТО.

⚠ВНИМАНИЕ: Користете само оригинални батерии на Makita. Користењето неоригинални батерии на Makita или батерии што се изменети може да резултира со распукување на батеријата, предизвикувајќи пожар, телесна повреда и оштетување. Тоа исто така ќе ја поништи гаранцијата на Makita за алатот и полначот на Makita.

Совети за одржување максимален работен век на батеријата

1. Заменете ја касетата за батеријата пред целосно да се испразни. Секогаш запирајте ја работата со алатот и заменете ја касетата за батеријата кога ќе забележите дека алатот дава помала моќност.
2. Никогаш немојте да полните целосно полна касета за батерија. Прекумерното полнење го скратува работниот век на батеријата.
3. Полнете ја касетата за батеријата на собна температура од 10°C - 40°C. Дозволете загреаната касета за батерија да се олади пред да ја ставите на полнење.
4. Кога не ја користите касетата за батерија, извадете ја алатот или полначот.
5. Полнете ја касетата за батеријата доколку не ја користите подолго време (повеќе од шест месеци).

ОПИС НА ФУНКЦИЈЕ

⚠ВНИМАНИЕ: Пред секое нагудување или проверка на алатот, проверувајте дали е исклучен и батеријата е извадена.

Монтирање или отстранување на касетата за батеријата

⚠ВНИМАНИЕ: Секогаш исклучувајте го алатот пред ставањето или вадењето на касетата за батеријата.

⚠ВНИМАНИЕ: Држете ги алатот и касетата за батеријата цврсто кога ја монтирате или вадите касетата за батеријата. Ако не ги држите цврсто алатот и касетата за батеријата, тие може да се лизнат од вашите раце и да дојде до нивно оштетување, како и до телесна повреда.

► **Сл.1:** 1. Црвен индикатор 2. Копче 3. Касета за батерија

За да ја извадите касетата за батеријата, повлечете ја од алатот додека го лизгате копчето на предната страна на касетата.

За вметнување на касетата за батеријата, порамнете го јазичето на касетата со жлебот во кукиштето и лизнете го во место. Вметнете ја до крај додека не се блокира во место при што ќе се слушне мало кликнување. Ако можете да го видите црвениот индикатор на горната страна од копчето, тоа значи дека не е заклучена целосно во место.

⚠ВНИМАНИЕ: Секогаш монтирајте ја касетата за батеријата целосно додека црвениот индикатор не се изгасне. Во спротивно, може ненадејно да испадне од алатот предизвикувајќи ви повреда вам или на некој друг околу вас.

⚠ВНИМАНИЕ: Немојте да ја монтирате касетата за батеријата на сила. Ако касетата не може да се лизне лесно, тоа значи дека не е поставена правилно.

Систем за заштита на алатот/ батеријата

Алатот е опремен со систем за заштита на алатот/ батеријата. Овој систем автоматски го прекинува напојувањето за да го продолжи работниот век на алатот и на батеријата. Алатот автоматски ќе се исклучи за време на работењето ако тој или батеријата се најдат под еден од следниве услови:

Заштита од преоптоварување

Оваа заштита работи кога со алатот се ракува на начин што предизвикува тој да повлекува ненормално висока електрична енергија. Во таква ситуација, исклучете го алатот и запрете со примената што предизвикала негово преоптоварување. Потоа, повторно вклучете го алатот.

Заштита од прегревање

Оваа заштита работи кога алатот или батеријата се прегреани. Во оваа ситуација, оставете ги алатот и батеријата да се оладат пред повторно да го вклучите алатот.

Заштита од прекумерно празнење

Оваа заштита работи кога преостанатиот капацитет на батеријата ќе дојде на ниско ниво. Во оваа ситуација, извадете ја батеријата од алатот и наполнете ја.

Укажување на преостанатиот капацитет на батеријата

Само за батерии со индикатор

► **Сл.2:** 1. Индикаторски ламбички 2. Копче за проверка

Притиснете го копчето за проверка на касетата за батеријата за укажување на преостанатиот капацитет на батеријата. Индикаторските ламбички светнуваат неколку секунди.

Индикаторски ламбички			Преостанат капацитет
Запалено	Исклучено	Трепка	
			75% до 100%
			50% до 75%
			25% до 50%
			0% до 25%
			Наполнете ја батеријата.
			Батеријата можеби е неисправна.

НАПОМЕНА: Во зависност од условите на користење и амбиенталната температура, индикацијата може да се разликува во мала мера од реалниот капацитет.

НАПОМЕНА: Првата (најлево) ламбичка на индикаторот ќе трепка кога работи системот за заштита на батеријата.

Прилагодување на закосеноста на раката

Раката може да се наведува и да се фиксира на кој било сакан агол во рамки на опсегот „А“ (-5° до 90°) на сликата. Нагодете го аголот за удобна работна положба.

Олабавете ја рацката за заклучување подигнувајќи ја. Наведете ја раката на саканата положба и стегнете ја рацката за заклучување за раката цврсто да се фиксира.

► **Сл.3:** 1. Лост за блокирање 2. Рака

Заменување на раката

6 мм (1/4") и 13 мм (1/2") широките појаси може да бидат инсталирани со изборни раце што се дизајнирани за соодветните ширини на појаси. Олабавете го шрафот што ја зацврстува раката и заменете ја стандардно опремената рака со изборната рака, па потоа стегнете го шрафот.

► **Сл.4:** 1. Шраф 2. Рака

Вклучување

▲ ПРЕДУПРЕДУВАЊЕ: За ваша безбедност, овој алат е опремен со прекинувач за блокирање кое спречува алатот да се стартува ненамерно. НИКОГАШ не користете го алатот ако работи со едноставно повлекување на прекинувачот за стартување без да се ослободи прекинувачот за деблокирање. Вратете го алатот во нашиот овластен сервисен центар за соодветна поправка ПРЕД натамошна употреба.

▲ ВНИМАНИЕ: Пред да ја вметнете касетата за батеријата во алатот, секогаш проверувајте дали прекинувачот за стартување функционира правилно и дали се враќа во положбата „OFF“ кога ќе се отпушти. Ако работите со алат чиј прекинувач не работи исправно, може да дојде до загуба на контролата и тешка телесна повреда.

ЗАБЕЛЕШКА: Не повлекувајте го прекинувачот за стартување силно без да го ослободите прекинувачот за заклучување. Тоа може да предизвика дефект на прекинувачот.

ЗАБЕЛЕШКА: Прекинувачот за заклучување не може да се ослободи додека раката се прилагодува над 90°.

За да не се повлече прекинувачот за стартување случајно, обезбеден е прекинувач за заклучување. Притиснете ја рацката на прекинувачот (A) од страната А за да го отклучите прекинувачот за стартување, и (B) од страната Б за да го заклучите.
► **Сл.5:** 1. Прекинувач за деблокирање

За стартување на алатот, повлечете го прекинувачот за стартување. Пуштете го прекинувачот за стартување за да запрете.
За постојано работење, повлечете го прекинувачот, а потоа притиснете го копчето за блокирање. За да го запрете алатот од положба на заклучен прекинувач, целосно повлечете го прекинувачот за стартување и потоа отпуштете го.
► **Сл.6:** 1. Копче за заклучување 2. Прекинувач за стартување

Вклучување на предната ламба

⚠ВНИМАНИЕ: Не гледајте директно во светлината или во изворот на светлина.

Насоката на светлината може да се прилагоди на три нивоа преку агол од 60°. Повлечете го прекинувачот за стартување на ламбата. За да ја исклучите, отпуштете го. Ламбата ќе се исклучи приближно 10 секунди по отпуштањето на прекинувачот за стартување.

► **Сл.7:** 1. Ламба

НАПОМЕНА: Кога ќе се прегрее алатот, ламбата ќе трепка една минута. Во ваков случај, изладете го алатот пред да започнете повторно да работите со него.

НАПОМЕНА: Користете сува крпа за да ја избришете нечистотијата од леќата на ламбата. Внимавајте да не ја изгребете леќата на ламбата затоа што тоа може да го намали осветлувањето.

Бројченик за нагодување на брзината

Брзината на појасот може да се прилагоди помеѓу 600 м и 1.700 м во минута (1.970 - 5.600 стапки/мин.) со вртење на бројченикот за нагодување на брзината на определена бројна вредност од 1 до 5. Повисока брзина се добива кога бирачот се врти во насока на бројот 5, а пониска брзина се добива кога бирачот се врти во насока на бројот 1. Изберете ја вистинската брзина за работниот материјал што треба да се шмиргла.

⚠ВНИМАНИЕ: Бројченикот за нагодување на брзината единствено може да се врти помеѓу броевите наведени на бројченикот. Не применувајте прекумерна сила да го завртите бројченикот надвор од тој опсег, во спротивно, нагодувањето брзина може да не функционира.

► **Сл.8:** 1. Бројченик за нагодување на брзината

СОСТАВУВАЊЕ

⚠ВНИМАНИЕ: Пред секое дотерување или проверка на алатот, секогаш проверувајте дали е исклучен и батеријата е извадена.

Вадење и поставување абразивен појас

Повлечете ја рачката на запчестиот преносник на назад да се ослободи притисокот врз појасот и да се извади.

За да го поставите појасот, прво ставете ја едната страна од појасот преку задниот запченик, закачете ја другата страна преку предниот запченик, а потоа ставете ја рачката на запчестиот преносник во првобитната положба.

► **Сл.9:** 1. Рачка на запчест преносник
2. Абразивен појас 3. Заден запченик
4. Преден запченик

Прилагодување на следењето на појасот

Уверете се дека појасот е порамнет соодветно со раката така што ќе извршите пробно вклучување на мала брзина. Користете рачна завртка за да ја центрирате патеката на појасот. Вртете го шрафот надесно за да ја завртите раката надесно кога гледате надолу на алатот со неговата рака насочена напред и налево за да ја завртите налево.

► **Сл.10:** 1. Рака 2. Рачна завртка

Монтирање страничен држач

⚠ВНИМАНИЕ: Цврсто стегнете ја рачната завртка пред работењето.

⚠ВНИМАНИЕ: Избегнувајте примена на голема надворешна сила на страничниот држач, во спротивно страничниот држач може да се олабави и алатот може да падне предизвикувајќи штета или лична повреда во следниве услови:

- нанесување целосен притисок врз страничниот држач во текот на работењето
- Невнимателно ракување со алатот само со едната рака на страничниот држач
- Носење на алатот само со едната рака на страничниот држач

Страничниот држач (помошна рачка) помага цврсто да се држи алатот во текот на работењето.

1. Зашрафете го држачот во навртката за прицврстување поставена во основата на држачот.
► **Сл.11:** 1. Дршка 2. Основа на држачот 3. Навртка за прицврстување
2. Олабавете ја рачната завртка во основата на држачот. Прикачете ја основата на цилиндарот на кукиштето на моторот порамнувајќи го јазичето за заклучување на основата со плиткиот жлеб на површината на кукиштето. Зацврстете ја рачната завртка за да се прицврсти држачот.
► **Сл.12:** 1. Рачна завртка 2. Кукиште на мотор

Поврзување на правосмукалката „Makita“

⚠ВНИМАНИЕ: Секогаш затворајте го капакот на смукалката за прав кога правосмукалката не е поврзана за смукалката за прав. Никогаш не ставајте го прстот во смукалката за прав.

ЗАБЕЛЕШКА: Прочитајте го упатството за употреба доставено со вашата правосмукалка пред да ја користите.

НАПОМЕНА: Изборни предни муфови 22 конектори или адаптери на алат може да бидат потребни за да се направат поврзувања во зависност од системот на вашата правосмукалка.

Почисти работи за шмирглање може да се извршуваат со поврзување на шмиргла-кашот со правосмукалка Makita. Отворете го капачето на распрскувачот на прав и поставете ја смукалката за прав.

Поврзете го црвото на правосмукалката на смукалката за прав.
► **Сл.13:** 1. Смукалка за прав 2. Предни муфови/конектор/адаптер 3. Црво за правосмукалка 4. Правосмукалка

РАБОТЕЊЕ

⚠ВНИМАНИЕ: Обезбедување на работниот материјал со стеги и слично ако е можно да се придвижи за време на работа.

⚠ВНИМАНИЕ: Избегнувајте секако шмирглање на запаливи материјали како алуминиум и магнезиум. Може да предизвика пожар, експлозија или ризик од повреда.

⚠ВНИМАНИЕ: Уверете се дека ниту еден дел од појасот за шмирглање не се наоѓа на површината на работниот материјал пред да го вклучите или исклучите алатот. Во спротивно, може да биде неквалитетно шмирглањето, да се оштети појасот или да се изгуби контрола над алатот.

⚠ВНИМАНИЕ: Избегнувајте телесен контакт со појасот и деловите на алатот што се вртат за време на работењето. Бидете претпазливи за вашата околина и минувачите и внимавајте на можни ризици.

⚠ВНИМАНИЕ: Не обидувајте се да го држите и да работите со алатот свртен наопаку. Може да предизвика сериозна несреќа која ќе доведе до лична повреда.

Вклучете го алатот и почекајте додека не достигне полна брзина. Држете го алатот цврсто со двете раце. Нежно ставете го алатот на површината на работниот материјал и движете го напред-назад.

► Сл.14

► Сл.15

Секогаш користете го опсегот „С“ (помеѓу крајот на рамната чевла и предниот запченик) на сликата за да го шмирглате работниот материјал.

Притиснете го нежно појасот на работниот материјал. Прекумерниот притисок може да го оштети ременот и да го скрати работниот век на алатот.

► Сл.16: 1. Рамна чевла 2. Преден запченик

ОДРЖУВАЊЕ

⚠ВНИМАНИЕ: Пред секоја проверка или одржување, секогаш проверувајте дали алатот е исклучен и касетата за батеријата е извадена.

ЗАБЕЛЕШКА: За чистење, не користете нафта, бензин, разредувач, алкохол или слично. Тие средства ја вадат бојата и може да предизвикаат деформации или пукнатини.

За да се одржи БЕЗБЕДНОСТА и СИГУРНОСТА на производот, поправките, одржувањата или дотерувањата треба да се вршат во овластени сервисни или фабрички центри на Makita, секогаш со резервни делови од Makita.

Чување

⚠ВНИМАНИЕ: Внимавајте да не ги потфатите прстите кога ја преместувате раката. Во спротивно може да дојде до телесна повреда.

Раката може да се движи низ агол до 160°. Склопете ја раката да заштедите простор за складирање.

1. Олабавете ја рачката за заклучување подигнувајќи ја. Наместете ја раката под агол од 90°.
 2. Притиснете го и задржете го копчето на лизгачот, а потоа прилагодете го аголот на раката во опсег „В“ (90° до 160°) на сликата.
- Сл.17: 1. Лост за блокирање 2. Копче на лизгач 3. Рака
3. Прицврстете го лостот за блокирање за да ја фиксирате раката.
- Сл.18: 1. Лост за блокирање 2. Прекинувач за деблокирање

ЗАБЕЛЕШКА: Прекинувачот за заклучување автоматски се активира додека раката се прилагодува над 90°.

ОПЦИОНАЛЕН ПРИБОР

⚠ВНИМАНИЕ: Овој прибор или додатоци се препорачуваат за користење со алатот од Makita дефиниран во упатството. Со користење друг прибор или додатоци може да се изложите на ризик од телесни повреди. Користете ги приборот и додатоците само за нивната назначена намена.

Ако ви треба помош за повеќе детали за приборот, прашајте во локалниот сервисен центар на Makita.

- Склоп на смукалка за прав
- Рака (6, 9, 13 мм (1/4", 3/8", 1/2"))
- Абразивни појаси
- Целосен капак за прашина
- Целосно црево 28
- Предни муфови
- Оригинална батерија и полнач на Makita

НАПОМЕНА: Некои ставки на листата може да се вклучени со алатот како стандарден прибор. Тие може да се разликуваат од држава до држава.

ТЕХНИЧКИ ПОДАЦИ

Модел:	DBS180
Величина траке	9 мм x 533 мм
Брзина траке	600 - 1.700 м/мин
Укупна дужина	500 мм *1
Номинални напон	DC 18 V
Нето тежина	2,1 кг

*1. Са абразивном траком и улошком батерије (BL1860B).

- На основу нашег непрестаног истраживања и развоја задржавамо право измена наведених техничких података без претходне најаве.
- Спецификације могу да се разликују у различитим земљама.
- Тежина с улошком батерије према процедури ЕПТА 01/2014

Применљив уложак батерије и пуњач

Уложак батерије	BL1815N / BL1820 / BL1820B / BL1830 / BL1830B / BL1840 / BL1840B / BL1850 / BL1850B / BL1860B
Пуњач	DC18RC / DC18RD / DC18RE / DC18SD / DC18SE / DC18SF / DC18SH

- Неки горенаведени улошци батерија и пуњачи можда неће бити доступни у зависности од места становања.

▲УПОЗОРЕЊЕ: Користите само горенаведене улошке батерије и пуњаче. Коришћење других уложака батерије и пуњача може узроковати повреде и/или пожар.

Намена

Овај алат је намењен за брушење великих дрвених, пластичних и металних материјала као и бојених површина.

Бука

Типичан А-пондерисани ниво буке одређен је према стандарду EN62841-2-4:

Ниво звучног притиска (L_{pA}): 77 dB (A)
Несигурност (K): 3 dB (A)

НАПОМЕНА: Декларисане вредности емисије буке су измерене према стандардизованом мерном поступку и могу се користити за упоређивање алата.

НАПОМЕНА: Декларисана вредност емисије буке се такође може користити за прелиминарну процену изложености.

▲УПОЗОРЕЊЕ: Носите заштитне слушалице.

▲УПОЗОРЕЊЕ: Емисије буке током стварне примене електричног алата могу се разликовати од декларисане вредности у зависности од начина на који се користи алат, а посебно која врста предмета се обрађује.

▲УПОЗОРЕЊЕ: Уверите се да сте идентификовали безбедносне мере за заштиту руковаоца које су засноване на процени изложености у стварним условима употребе (узимајући у обзир све делове радног циклуса, као што је време рада уређаја, али и време када је алат искључен и када ради у празном ходу).

Вибрације

Укупна вредност вибрација (векторски збир по три осе) одређена је према стандарду EN62841-2-4:
Режим рада: рад без оптерећења
Вредност емисије вибрација (a_h): 2,5 м/с² или мања
Несигурност (K): 1,5 м/с²

НАПОМЕНА: Декларисане укупне вредности вибрација су измерене према стандардизованом мерном поступку и могу се користити за упоређивање алата.

НАПОМЕНА: Декларисане укупне вредности вибрација се такође могу користити за прелиминарну процену изложености.

▲УПОЗОРЕЊЕ: Вредност емисије вибрација током стварне примене електричног алата може се разликовати од декларисане вредности у зависности од начина на који се користи алат, а посебно која врста предмета се обрађује.

▲УПОЗОРЕЊЕ: Уверите се да сте идентификовали безбедносне мере за заштиту руковаоца које су засноване на процени изложености у стварним условима употребе (узимајући у обзир све делове радног циклуса, као што је време рада уређаја, али и време када је алат искључен и када ради у празном ходу).

ЕЗ декларација о усаглашености

Само за европске земље

ЕЗ декларација о усаглашености део је Додатка А у овом приручнику са упутствима.

БЕЗБЕДНОСНА УПОЗОРЕЊА

Општа безбедносна упозорења за електричне алате

▲УПОЗОРЕЊЕ: Прочитајте сва безбедносна упозорења, упутства, илустрације и спецификације које су испоручене уз овај електрични алат. Непоштовање свих доле наведених безбедносних упутстава може изазвати електрични удар, пожар и/или озбиљну повреду.

Сачувајте сва упозорења и упутства за будуће потребе.

Термин „електрични алат“ у упозорењима односи се на електрични алат који се напаја из електричне мреже (каблом) или батерије (без кабла).

БЕЗБЕДНОСНА УПОЗОРЕЊА ЗА БЕЖИЧНУ ТРАКАСТУ БРУСИЛЦИ

1. Проветравајте радни простор на одговарајући начин када обављате брушење.
2. Неки материјали садрже хемикалије које могу да буду отровне. Будите опрезни да не би дошло до удисања прашине или контакта са кожом. Следите безбедносне податке добављача материјала.
3. Увек користите одговарајућу маску за прашину/респиратор за материјал и примену на којима радите.
4. Увек користите заштитне наочаре или заштитну маску. Обичне наочаре за вид или сунце НИСУ заштитне наочаре.
5. Чврсто држите алат обема рукама.
6. Уверите се да трака не додирује предмет обраде пре укључивања прекидача.
7. Држите руке даље од ротирајућих делова.
8. Немојте да остављате укључен алат. Алат укључите само када га држите рукама.
9. Овај алат није направљен да буде отпоран на воду, зато немојте да квасите површину предмета обраде.

САЧУВАЈТЕ ОВО УПУТСТВО.

▲УПОЗОРЕЊЕ: НЕМОЈТЕ себи да дозволите да занемарите строга безбедносна правила која се односе на овај производ услед чињенице да сте производ добро упознали и стекли рутину у руковању њиме (услед честог коришћења). **НЕНАМЕНСКА УПОТРЕБА** или непоштовање безбедносних правила наведених у овом упутству могу довести до тешких телесних повреда.

Важна безбедносна упутства која се односе на уложак батерије

1. Пре употребе уложка батерије, прочитајте сва упутства и безбедносне ознаке на (1) пуњачу батерије, (2) батерији и (3) производу који користи батерију.
2. Не растављајте и не модификујте уложак батерије. Тиме можете да изазовете пожар, прекомерно загревање или експлозију.
3. Ако се време рада знатно скратило, одмах престаните са коришћењем. То може да доведе до ризика од прегревања, могућих опекотина, па чак и експлозије.
4. Ако електролит доспе у очи, исперите их чистом водом и одмах затражите помоћ лекара. То може да доведе до губитка вида.
5. Немојте да изазивате кратак спој уложка батерије:
 - (1) Немојте додиривати прикључке било којим проводним материјалом.
 - (2) Избегавајте складиштење уложка батерије у кутији са другим металним предметима као што ексери, новчићи итд.
 - (3) Немојте да излажете уложак батерије води или киши.

Кратак спој батерије може да доведе до великог протока струје, прегревања, могућих опекотина, па чак и прегревања.

6. Немојте да складиштите и користите алат и уложак батерије на местима где температура може да достигне или премаше 50 °C (122 °F).
7. Немојте да палите уложак батерије чак ни када је озбиљно оштећен или потпуно похабан. Уложак батерије може да експлодира у ватри.
8. Немојте да закивате, сечете, ломите, бацате или испуштате уложак батерије, или да њиме ударате по чврстој површини. На тај начин можете да изазовете пожар, прекомерно загревање или експлозију.
9. Немојте да користите оштећену батерију.
10. Садржане литијум-јонске батерије подлежу Закону о превозу опасних материја. Приликом комерцијалног превоза, нпр. од стране трећих лица и превозника, мора се обратити посебна пажња на специјалне захтеве паковања и обележавања. Приликом припреме материјала за превоз, потребно је саветовати се са стручњаком за опасне материје. Такође обратите пажњу на евентуалне даље националне прописе. Омотајте траком или прекријте отворене контакте и запакујте батерију тако да се не може померати унутар паковања.
11. Када одлажете уложак батерије на отпад, извадите га из алата и одложите на безбедно место. Придржавајте се локалних прописа у вези са одлагањем батерије.
12. Батерије користите само са производима које је навела компанија Makita. Постављање батерије на производе који нису усаглашени може да доведе до пожара, прекомерне топлоте, експлозије или цурења електролита.

13. Ако се алат не користи током дужег периода, батерија мора да се извади из алата.
14. Током и након коришћења, уложак батерије може да акумулира толико топлоте да то може довести до опекотина, уобичајених и нискотемпературних. Пажљиво рукујте врућим улошцима батерије.
15. Не додирујте контакте алата одмах након коришћења јер су можда толико врући да могу да изазову опекотине.
16. Водите рачуна да се струготина, прашина или земља не заглаве у контактима, рупицама и жлебовима улошка батерије. У супротном може доћи до лошег учинка или прегоривања алата или улошка батерије.
17. Осим ако алат то не подржава, немојте да користите уложак батерије близу високонапонских разводних линија електричне струје. У супротном може доћи до квара или прегоривања алата или улошка батерије.
18. Држите батерију ван домаћаја деце.

САЧУВАЈТЕ ОВО УПУТСТВО.

ПАЖЊА: Користите само оригиналне Makita батерије. Коришћење Makita батерија које нису оригиналне или батерија које су измењене може да доведе до пуцања батерије, које може да изазове пожар, телесне повреде или штету. То ће такође поништити гаранцију компаније Makita за Makita алат и пуњач.

Савети за максимално трајање батерије

1. Напуните уложак батерије пре него што се потпуно испразни. Сваки пут прекините рад са алатом и напуните уложак батерије када приметите да је снага алата слабија.
2. Никада немојте да поново пуните потпуно напуњени уложак батерије. Препуњавање скраћује радни век батерије.
3. Пуните уложак батерије на собној температури између 10°C и 40°C (између 50°F и 104°F). Сачекајте да се врући уложак батерије охлади пре пуњења.
4. Када не користите уложак батерије, извадите га из алата или пуњача.
5. Напуните уложак батерије ако га нећете користити дуже време (више од шест месеци).

ОПИС НАЧИНА ФУНКЦИОНИСАЊА

ПАЖЊА: Пре подешавања или провере функција алата увек проверите да ли је алат искључен и да ли је уложак батерије уклоњен.

Постављање и уклањање улошка батерије

ПАЖЊА: Увек искључите алат пре постављања или уклањања улошка батерије.

ПАЖЊА: Држите чврсто алат и уложак батерије када постављате или уклањате уложак батерије. Ако алат и уложак батерије не будете држали чврсто, могу вам исклизнути из руку, оштетити се при паду и повредити вас.

► **Слика 1:** 1. Црвени индикатор 2. Дугме 3. Уложак батерије

Да бисте уклонили уложак батерије, клизањем га извуците из алата док клизањем померате дугме на предњој страни улошка.

Да бисте поставили уложак батерије, поравнајте језичак на њему са жлебом на кућишту и гурните га на место. Гурните га до краја тако да легне на своје место и чује се тихо шкљоцање. Ако можете да уочите црвени индикатор на горњој страни дугмета, то значи да уложак батерије није потпуно закључан.

ПАЖЊА: Увек до краја гурните уложак батерије тако да се црвени индикатор не види. У супротном, он случајно може испасти из алата и повредити вас или неку особу у вашој близини.

ПАЖЊА: Немојте на силу да постављате уложак батерије. Ако уложак не можете лако да гурнете, то значи да га не постављате исправно.

Систем за заштиту алата/батерије

Алат је опремљен системом за заштиту алата/ батерије. Овај систем аутоматски прекида напајање како би продужио век трајања алата и батерије. Алат ће се аутоматски зауставити током рада ако алат или батерија уђу у једно од следећих стања:

Заштита од преоптерећења

Ова заштита ради када се алатом рукује тако да вуче неуобичајено велику струју. У овој ситуацији, искључите алат и престаните са употребом која је довела до преоптерећења алата. Затим укључите алат да бисте га поново покренули.

Заштита од прегревања

Ова заштита ради када су алат или батерија прегрејани. У овом случају, пустите да се алат и батерија охладе пре поновног укључивања алата.

Заштита од превеликог пражњења

Ова заштита ради када се смањи преостали капацитет батерије. У том случају, уклоните батерију из алата и напуните је.

Приказ преосталог капацитета батерије

Само за улошке батерије са индикатором

► **Слика2:** 1. Индикаторске лампице 2. Дугме за проверу

Притисните дугме за проверу на улошку батерије да бисте приказали преостали капацитет батерије. Индикаторске лампице ће се укључити на неколико секунди.

Индикаторске лампице			Преостали капацитет
Светли	Искључено	Трепће	
			Од 75% до 100%
			Од 50% до 75%
			Од 25% до 50%
			Од 0% до 25%
			Напуните батерију.
			Могуће је да је батерија постала неисправна.

НАПОМЕНА: У зависности од услова коришћења и температуре околине, приказани капацитет може донекле да се разликује од стварног.

НАПОМЕНА: Прва (крајња лева) индикаторска лампица трепери када систем за заштиту батерије ради.

Прилагођавање нагиба крака

Крак се може окретати и фиксирати под било којим жељеним углом у опсегу „А“ (од -5° до 90°) који је приказан на слици. Подесите угао тако да положај за рад буде удобан.

Олабавите полугу за закључавање тако што ћете је подићи. Окрените крак у жељени положај и закључајте полугу за закључавање да бисте фиксирали крак.

► **Слика3:** 1. Полуга за закључавање 2. Крак

Замена крака

Могу се поставити траке ширине 6 мм (1/4") и 13 мм (1/2") са опционим краковима који су направљени за одговарајуће ширине трака. Олабавите завртањ који причвршћује крак и замените стандардни крак са опционим, па затим чврсто притегните завртањ.

► **Слика4:** 1. Завртањ 2. Крак

Функционисање прекидача

▲УПОЗОРЕЊЕ: Ради ваше безбедности овај алат је опремљен прекидачем за закључавање који спречава ненамерно покретање алата. **НИКАДА** немојте користити овај алат ако се покреће при самом повлачењу окидача прекидача без отпуштања прекидача за закључавање. **ПРЕ** даље употребе вратите алат сервисном центру ради адекватне поправке.

▲ПАЖЊА: Пре убацивања улошка батерије у алат увек проверите да ли се окидач прекидача правилно активира и да ли се враћа у положај „OFF“ (Искључено) пошто га пустите. Рад са алатом на којем прекидач не функционише правилно може да доведе до губитка контроле и тешких телесних повреда.

ОБАВЕШТЕЊЕ: Немојте снажно да повлачите окидач прекидача ако нисте отпустили прекидач за закључавање. То може да доведе до ломљења прекидача.

ОБАВЕШТЕЊЕ: Прекидач за закључавање се не може отпустити када је крак окренут више од 90°.

Прекидач за закључавање спречава случајно повлачење окидача прекидача. Притисните полугу прекидача (A) са стране А да бисте откључали окидач прекидача и (B) са стране В да бисте га закључали.

► **Слика5:** 1. Прекидач за закључавање

Да бисте активирали алат, повуците окидач прекидача. Отпустите окидач прекидача да бисте га зауставили.

За непрестани рад, повуците окидач прекидача и гурните дугме за закључавање. Да бисте зауставили алат када је прекидач закључан, у потпуности повуците окидач прекидача и отпустите га.

► **Слика6:** 1. Дугме за закључавање 2. Окидач прекидача

Укључивање предње лампе

▲ПАЖЊА: Немојте да гледате у лампу ни директно у извор светлости.

Усмерење лампе се може подесити на три нивоа у опсегу од 60°. Повуците окидач прекидача да бисте укључили светло. Да бисте је угасили отпустите окидач прекидача. Лампа се искључује отприлике 10 секунди након отпуштања окидача прекидача.

► **Слика7:** 1. Лампа

НАПОМЕНА: Када је алат прегрејан, лампа трепери један минут. У том случају охладите алат пре него што поново почнете са радом.

НАПОМЕНА: Сувом крпом обришите прљавштину са сочива лампе. Пазите да не огребете сочиво лампе, јер тако можете смањити осветљеност.

Бројчаник за подешавање брзине

Брзина траке се може подесити у опсегу од 600 м и 1.700 м у минуту (1.970 - 5.600 стопа у минуту) окретањем бројчаника за подешавање брзине на било коју вредност од 1 до 5. Већа брзина се добија када се бројчаник окрене у смеру броја 5; мања брзина се добија када се бројчаник окрене у смеру броја 1. Изаберите одговарајућу брзину за предмет обраде који треба да брусите.

ПАЖЊА: Бројчаник за подешавање брзине се може окренути само између бројева који су на њему означени. Немојте примењивати претерану силу како би бројчаник окренули ван овог опсега јер такво подешавање брзине неће функционисати.

► **Слика8:** 1. Бројчаник за подешавање брзине

СКЛАПАЊЕ

ПАЖЊА: Пре обављања било каквог посла на алату увек проверите да ли је он искључен и да ли је уложак батерије уклоњен.

Скидање и постављање абразивне траке

Повуците брегасту полуку уназад како би смањили затегнутост траке, па скините траку. Да бисте поставили траку, прво једну страну ставите преко задње ременице, закачите другу страну преко предње ременице, па затим вратите брегасту полуку у првобитни положај.

► **Слика9:** 1. Брегаста полука 2. Абразивна трака 3. Задња ременица 4. Предња ременица

Подешавање путање траке

Уверите се да је трака правилно поравната са краком пробним покретањем малом брзином. Путању траке нацентрирајте помоћу лептир завртња. Када алат држите са краком окренутим унапред, завртња окрените у смеру кретања казаљке на сату да бисте крак накрнули надесно, а у супротном смеру да бисте крак накрнули налево.

► **Слика10:** 1. Крак 2. Лептир завртња

Монтажа бочног рукохвата

ПАЖЊА: Пре коришћења, лептир завртња чврсто затегните.

ПАЖЊА: Избегавајте да примењујете велику спољну силу на бочни рукохват јер се у супротном основа дршке може олабавити и алат под следећим условима може пасти и изазвати оштећења и телесне повреде:

- Током рада сва сила делује на бочни рукохват
- Алат се држи неправилно са само једном руком на бочном рукохвату
- Алат се носи са само једном руком на бочном рукохвату

Бочни рукохват (помоћна дршка) помаже да се алат при руковању чврсто држи.

1. Рукохват причврстите у навртку за причвршћивање која се налази у основи дршке.

► **Слика11:** 1. Рукохват 2. Основа дршке 3. Навртка за причвршћивање

2. Олабавите лептир завртња у основи дршке. Закачите основу у цев куишта мотора тако што ћете поравнати језичак за закључавање на основи са плитким жлебом на површини куишта. Затегните лептир завртње да бисте причврстили бочни рукохват.

► **Слика12:** 1. Лептир завртња 2. Куиште мотора

Повезивање са Makita усисивачем

ПАЖЊА: Увек затворите поклопац млазнице када усисивач није прикључен на млазницу. Никада немојте стављати прсте у млазницу.

ОБАВЕШТЕЊЕ: Пре употребе прочитајте упутство за употребу испоручено са усисивачем.

НАПОМЕНА: Опционе предње спојнице 22, спојеви и адаптери за алат могу бити неопходни за прикључивање у зависности од система усисивача.

Брушење се може обавити чистије ако се тракаста брусница повеже са Makita усисивачем. Отворите поклопац млазнице и поставите млазницу за прашину. Прикључите црево усисивача на млазницу за прашину.

► **Слика13:** 1. Млазница за прашину 2. Предње спојнице/спој/адаптер 3. Црево усисивача 4. Усисивач

РАД

ПАЖЊА: Предмет обраде причврстите стегама итд. ако је могуће да се током рада он помери.

ПАЖЊА: Избегавајте обављање брушења запаљивих материјала као што су алуминијум и магнезијум. То може довести до пожара, експлозије или повећати ризик од повређивања.

ПАЖЊА: Обезбедите да ни један део брусне траке није постављен на површину предмета обраде пре него што укључите или искључите алат. У супротном можете добити лошу завршну обраду брушеног предмета, трака се може оштетити или можете изгубити контролу над алатом.

ПАЖЊА: Избегавајте додир тела са траком и ротирајућим деловима алата током рада. Увек имајте у виду своје окружење и особе које стоје у близини и обратите пажњу на могуће опасности.

ПАЖЊА: Немојте покушавати да држите или рукујете алатом који је окренут наопако. То може довести до озбиљне несреће и телесних повреда.

Укључите алат и сачекајте да достигне пуну брзину. Чврсто држите алат обема рукама. Пажљиво спустите алат на површину предмета обраде и померајте га унапред и уназад.

► **Слика14**

► **Слика15**

За брушење предмета обраде увек користите део који је на слици означен са „С“ (између краја равне вођице и предње ременице).

Траку благо притисните на предмет обраде.

Примена претеране силе може оштетити траку и скратити радни век алата.

► **Слика16:** 1. Равна вођица 2. Предња ременица

ОДРЖАВАЊЕ

ПАЖЊА: Пре него што почнете с прегледом или одржавањем алата, искључите алат и уклоните уложак батерије.

ОБАВЕШТЕЊЕ: Никад немојте да користите нафту, бензин, разређивач, алкохол и слична средства. Може доћи до губитка боје, деформације или оштећења.

БЕЗБЕДАН и ПОУЗДАН рад алата гарантујемо само ако поправке, свако друго одржавање или подешавање, препустите овлашћеном сервису компаније Makita или фабричком сервису, уз употребу оригиналних резервних делова компаније Makita.

Чување

ПАЖЊА: Водите рачуна да не укљештите прсте када померате крак. У супротном може да дође до телесних повреда.

Крак може да се помера до угла од највише 160°. Савијте крак како би смањили неопходни простор за складиштење.

1. Олабавите полуку за закључавање тако што ћете је подићи. Окрените крак тако да буде под углом од 90°.
2. Гурните и задржите клизни прекидач, па затим подесите угао крака у опсегу „В“ (од 90° до 160°) који је приказан на слици.

► **Слика17:** 1. Полуку за закључавање 2. Клизни прекидач 3. Крак

3. Закључајте полуку за закључавање да бисте фиксирали крак.

► **Слика18:** 1. Полуку за закључавање 2. Прекидач за закључавање

ОБАВЕШТЕЊЕ: Прекидач за закључавање се аутоматски активира када је крак окренут више од 90°.

ОПЦИОНИ ПРИБОР

ПАЖЊА: Ова опрема и прибор су предвиђени за употребу са алатом Makita описаним у овом упутству за употребу. Употреба друге опреме и прибора може да доведе до повреда. Користите делове прибора или опрему искључиво за предвиђену намену.

Да бисте добили више детаља у вези са овим прибором, обратите се локалном сервисном центру компаније Makita.

- Склоп млазнице за прашину
- Крак (6, 9, 13 мм (1/4", 3/8", 1/2"))
- Абразивне траке
- Потпуна заштита од прашине
- Комплетно црево 28
- Предњи прикључци
- Makita оригинална батерија и пуњач

НАПОМЕНА: Поједине ставке на листи могу бити укључене у садржај паковања алата као стандардна опрема. Оне се могу разликовати од земље до земље.

SPECIFICAȚII

Model:	DBS180
Dimensiunea benzii	9 mm x 533 mm
Viteza benzii	600 - 1.700 m/min
Lungime totală	500 mm *1
Tensiune nominală	18 V cc.
Greutate netă	2,1 kg

*1. Cu banda abrazivă și cartușul acumulatorului (BL1860B).

- Datorită programului nostru continuu de cercetare și dezvoltare, specificațiile pot fi modificate fără o notificare prealabilă.
- Specificațiile pot varia în funcție de țară.
- Greutatea, cu cartușul acumulatorului, conform procedurii EPTA 01/2014

Cartușul acumulatorului și încărcătorul aplicabile

Cartușul acumulatorului	BL1815N / BL1820 / BL1820B / BL1830 / BL1830B / BL1840 / BL1840B / BL1850 / BL1850B / BL1860B
Încărcător	DC18RC / DC18RD / DC18RE / DC18SD / DC18SE / DC18SF / DC18SH

- Este posibil ca unele cartușe ale acumulatorilor și încărcătoare menționate mai sus să nu fie disponibile în funcție de regiunea dvs. de reședință.

⚠️ AVERTIZARE: Utilizați numai cartușele de acumulator și încărcătoarele enumerate mai sus. Utilizarea oricărui altor cartușe de acumulator și încărcătoare poate duce la rănire și/sau incendiu.

Destinația de utilizare

Mașina este destinată șlefuirii suprafețelor mari de lemn, plastic și metal, precum și a suprafețelor vopsite.

Zgomot

Nivelul de zgomot normal ponderat A determinat în conformitate cu EN62841-2-4:

Nivel de presiune acustică (L_{pA}): 77 dB(A)

Marjă de eroare (K): 3 dB(A)

NOTĂ: Valoarea (valorile) totală(e) a (ale) emisiilor de zgomot declarate a(u) fost măsurată(e) în conformitate cu o metodă de test standard și poate (pot) fi utilizată(e) pentru compararea unei uneelte cu alta.

NOTĂ: Valoarea (valorile) totală(e) a (ale) emisiilor de zgomot declarate poate (pot) fi, de asemenea, utilizată(e) într-o evaluare preliminară a expunerii.

⚠️ AVERTIZARE: Purtați echipament de protecție pentru urechi.

⚠️ AVERTIZARE: Emisiile de zgomot în timpul utilizării efective a unelei electrice poate diferi de valoarea (valorile) nivelului declarat, în funcție de modul în care unealta este utilizată, în special ce fel de piesă este prelucrată.

⚠️ AVERTIZARE: Asigurați-vă că identificați măsurile de siguranță pentru a proteja operatorul, acestea fiind bazate pe o estimare a expunerii în condiții reale de utilizare (luând în considerare toate părțile ciclului de operare, precum timpul în care unealta a fost oprită, sau a funcționat în gol, pe lângă timpul de declanșare).

Vibrații

Valoarea totală a vibrațiilor (suma vectorilor tri-axiali) determinată conform EN62841-2-4:

Mod de lucru: funcționare fără sarcină

Emisie de vibrații (a_h): 2,5 m/s² sau mai puțin

Marjă de eroare (K): 1,5 m/s²

NOTĂ: Valoarea (valorile) totală(e) a (ale) nivelului de vibrații declarat a (au) fost măsurată(e) în conformitate cu o metodă de test standard și poate (pot) fi utilizată(e) pentru compararea unei uneelte cu alta.

NOTĂ: Valoarea (valorile) totală(e) a (ale) nivelului de vibrații declarat poate (pot) fi, de asemenea, utilizată(e) într-o evaluare preliminară a expunerii.

⚠️ AVERTIZARE: Nivelul de vibrații în timpul utilizării efective a unelei electrice poate diferi de valoarea (valorile) nivelului declarat, în funcție de modul în care unealta este utilizată, în special ce fel de piesă este prelucrată.

⚠️ AVERTIZARE: Asigurați-vă că identificați măsurile de siguranță pentru a proteja operatorul, acestea fiind bazate pe o estimare a expunerii în condiții reale de utilizare (luând în considerare toate părțile ciclului de operare, precum timpul în care unealta a fost oprită, sau a funcționat în gol, pe lângă timpul de declanșare).

Declarație de conformitate CE

Numai pentru țările europene

Declarația de conformitate CE este inclusă ca Anexa A în acest manual de instrucțiuni.

AVERTIZĂRI DE SIGURANȚĂ

Avertismente generale de siguranță pentru mașinile electrice

⚠️ AVERTIZARE: Citiți toate avertismentele privind siguranța, instrucțiunile, ilustrațiile și specificațiile furnizate cu această sculă electrică. Nerespectarea integrală a instrucțiunilor de mai jos poate cauza electrocutări, incendii și/sau vătămări corporale grave.

Păstrați toate avertismentele și instrucțiunile pentru consultări ulterioare.

Termenul „mașină electrică” din avertizări se referă la mașinile dumneavoastră electrice acționate de la rețea (prin cablu) sau cu acumulator (fără cablu).

AVERTIZĂRI PRIVIND SIGURANȚA PENTRU MAȘINA DE ȘLEFUIT CU BANDĂ

1. **Ventilați corespunzător spațiul de lucru atunci când executați operații de șlefuire.**
2. **Unele materiale conțin substanțe chimice care pot fi toxice. Aveți grijă să nu inhalați praful și evitați contactul cu pielea. Respectați instrucțiunile de siguranță ale furnizorului.**
3. **Folosiți întotdeauna masca de protecție contra prafului adecvată pentru materialul și aplicația la care lucrați.**
4. **Folosiți întotdeauna viziere sau ochelari de protecție. Ochelarii obișnuiți sau ochelarii de soare NU sunt ochelari de protecție.**
5. **Țineți mașina ferm cu ambele mâini.**
6. **Asigurați-vă că banda nu intră în contact cu piesa de prelucrat înainte de a porni comutatorul.**
7. **Nu atingeți cu mâinile piesele în mișcare.**
8. **Nu lăsați mașina în funcțiune. Utilizați mașina numai ținând-o cu mâinile.**
9. **Această mașină nu este etanșă la apă; prin urmare, nu folosiți apă pe suprafața piesei de prelucrat.**

PĂSTRAȚI ACESTE INSTRUCȚIUNI.

⚠️ AVERTIZARE: NU permiteți comodității și familiarizării cu produsul (obținute prin utilizare repetată) să înlocuiască respectarea strictă a normelor de securitate pentru acest produs. **FOLOSIREA INCORECTĂ** sau nerespectarea normelor de securitate din acest manual de instrucțiuni poate provoca vătămări corporale grave.

Instrucțiuni importante privind siguranța pentru cartușul acumulatorului

1. **Înainte de a folosi cartușul acumulatorului, citiți toate instrucțiunile și atenționările de pe (1) încercătorul acumulatorului, (2) acumulator și (3) produsul care folosește acumulatorul.**
2. **Nu dezasamblați și nu interveniți asupra cartușului acumulatorului.** Acest lucru poate cauza incendii, căldură excesivă sau explozii.
3. **Dacă timpul de funcționare s-a redus excesiv, întrerupeți imediat funcționarea.** Aceasta poate prezenta risc de supraîncălzire, posibile arsuri și chiar explozie.
4. **Dacă electrolitul pătrunde în ochi, clătiți bine ochii cu apă curată și consultați imediat un medic.** Există risc de orbire.
5. **Nu scurtcircuitați cartușul acumulatorului:**
 - (1) **Nu atingeți bornele cu niciun material conductor.**
 - (2) **Evitați depozitarea cartușului acumulatorului la un loc cu alte obiecte metalice cum ar fi cuie, monede etc.**
 - (3) **Nu expuneți cartușul acumulatorului la apă sau ploaie.**

Un scurtcircuit al acumulatorului poate provoca un flux puternic de curent electric, supraîncălzire, posibile arsuri și chiar defectarea mașinii.

6. **Nu depozitați și nu utilizați mașina și cartușul acumulatorului în locuri în care temperatura poate atinge sau depăși 50 °C (122 °F).**
7. **Nu incinerati cartușul acumulatorului chiar dacă acesta este grav deteriorat sau complet uzat.** Cartușul acumulatorului poate exploda în foc.
8. **Nu introduceți cuie în cartușul acumulatorului, nu îl tăiați, striviți, aruncați sau scăpați și nu îl loviți cu un obiect dur.** Astfel de acțiuni pot provoca incendii, căldură excesivă sau explozii.
9. **Nu utilizați un acumulator deteriorat.**
10. **Acumulatorii Li-Ion încorporați se supun cerințelor Legislației privind substanțele periculoase.**

Pentru transporturi comerciale, efectuate de exemplu de către părți terțe, expeditori, trebuie respectate cerințele speciale de ambalare și etichetare.

Pentru pregătirea articolului care urmează să fie expediat, este necesară consultarea unui expert în materiale periculoase. Vă rugăm să respectați, de asemenea, reglementările naționale, care pot fi mai detaliate.

Izolați sau acoperiți contactele deschise și împachetați acumulatorul în așa fel încât să nu se poată mișca în ambalaj.
11. **Atunci când eliminați la deșeurile cartușul acumulatorului, scoateți-l din mașină și eliminați-l într-un loc sigur.** Respectați normele naționale privind eliminarea la deșeurile a acumulatorului.

12. **Utilizați acumulatorii numai cu produsele specificate de Makita.** Instalarea acumulatorilor în produse neconforme poate cauza incendii, căldură excesivă, explozii sau scurgeri de electrolit.
13. **Dacă mașina nu este utilizată o perioadă lungă de timp, acumulatorul trebuie scos din acesta.**
14. **În timpul utilizării și după aceea, cartușul acumulatorului se poate încălzi, ceea ce poate cauza arsuri sau arsuri la temperaturi scăzute. Fiți atenți la manipularea cartușelor de acumulator atunci când sunt fierbinți.**
15. **Nu atingeți borna mașinii imediat după utilizare, întrucât se poate încălzi foarte tare și poate provoca arsuri.**
16. **Nu lăsați să pătrundă așchii, praf sau pământ în borne, în orificii și în canelurile cartușului acumulatorului.** Acest lucru poate duce la o performanță slabă sau poate cauza defectarea mașinii sau a cartușului acumulatorului.
17. **Nu utilizați cartușul acumulatorului în apropierea liniilor electrice de înaltă tensiune, cu excepția cazului în care mașina suportă utilizarea în apropierea liniilor electrice de înaltă tensiune.** Acest lucru poate duce la funcționarea necorespunzătoare sau la defectarea mașinii sau a cartușului acumulatorului.
18. **Țineți acumulatorul la distanță de copii.**

PĂSTRAȚI ACESTE INSTRUCȚIUNI.

ATENȚIE: Folosiți numai acumulatori Makita originali. Acumulatorii Makita care nu sunt originali și acumulatorii care au suferit modificări se pot aprinde, provocând incendii, leziuni corporale și daune. De asemenea, anulează garanția oferită de Makita pentru unealta și încărcătorul Makita.

Sfaturi pentru obținerea unei durate maxime de exploatare a acumulatorului

1. **Încărcați cartușul acumulatorului înainte de a se descărca complet.** Întrerupeți întotdeauna funcționarea mașinii și încărcați cartușul acumulatorului când observați o scădere a puterii mașinii.
2. **Nu reîncărcați niciodată un acumulator complet încărcat.** Supraîncărcarea va scurta durata de exploatare a acumulatorului.
3. **Încărcați cartușul acumulatorului la temperatura camerei, între 10 °C - 40 °C (50 °F - 104 °F).** Lăsați un acumulator fierbinte să se răcească înainte de a-l încărca.
4. **Atunci când nu utilizați cartușul acumulatorului, scoateți-l din mașină sau din încărcător.**
5. **Încărcați cartușul acumulatorului în cazul în care nu a fost utilizat pe o perioadă mai lungă (mai mult de șase luni).**

DESCRIEREA FUNCȚIILOR

ATENȚIE: Asigurați-vă întotdeauna că mașina este oprită și cartușul acumulatorului este scos înainte de a ajusta sau verifica funcționarea mașinii.

Instalarea sau scoaterea cartușului acumulatorului

ATENȚIE: Opriți întotdeauna mașina înainte de montarea sau demontarea cartușului de acumulator.

ATENȚIE: Țineți ferm mașina și cartușul acumulatorului la montarea sau demontarea cartușului. În cazul în care nu țineți ferm mașina și cartușul de acumulator, acestea vă pot aluneca din mâini, rezultând defectarea mașinii și cartușului de acumulator, precum și în accidentări personale.

► Fig. 1: 1. Indicator roșu 2. Buton 3. Cartușul acumulatorului

Pentru a scoate cartușul acumulatorului, glisați-l din mașină în timp ce glisați butonul de pe partea frontală a cartușului.

Pentru a instala cartușul acumulatorului, aliniați limba de pe cartușul acumulatorului cu canelura din carcasă și introduceți-l în locaș. Introduceți-l complet, până când se încliquează în locaș. Dacă puteți vedea indicatorul roșu din partea superioară a butonului, acesta nu este blocat complet.

ATENȚIE: Instalați întotdeauna cartușul acumulatorului complet, până când indicatorul roșu nu mai este vizibil. În caz contrar, acesta poate cădea accidental din mașină provocând rănirea dumneavoastră sau a persoanelor din jur.

ATENȚIE: Nu forțați cartușul acumulatorului la montare. Dacă acesta nu glisează ușor, înseamnă că a fost introdus incorect.

Sistem de protecție mașină/acumulator

Mașina este prevăzută cu un sistem de protecție mașină/acumulator. Acest sistem întrerupe automat alimentarea cu energie pentru a extinde durata de funcționare a mașinii și acumulatorului. Mașina se va opri automat în timpul funcționării dacă mașina sau acumulatorul se află într-una din situațiile următoare:

Protecție la suprasarcină

Acest sistem de protecție funcționează atunci când mașina este acționată într-o manieră care determină atragerea unui curent de o intensitate anormal de ridicată. În această situație, opriți mașina și întrerupeți aplicația care a dus la suprasolicitarea mașinii. Apoi, reporniți mașina.

Protecție la supraîncălzire

Acest sistem de protecție funcționează atunci când mașina sau acumulatorul se supraîncălzeste. În această situație, lăsați mașina și acumulatorul să se răcească înainte de a reporni mașina.

Protecție la supradescărcare

Acest sistem de protecție funcționează atunci când capacitatea rămasă a acumulatorului este scăzută. În această situație, scoateți acumulatorul din mașină și încărcați-l.

Indicarea capacității rămase a acumulatorului

Numai pentru cartușe de acumulator cu indicator

► **Fig.2:** 1. Lămpi indicatoare 2. Buton de verificare

Apăsați butonul de verificare de pe cartușul acumulatorului, astfel încât să se indice capacitățile rămase ale acumulatorului. Lămpile indicatorului vor lumina timp de câteva secunde.

Lămpi indicatoare			Capacitate rămasă
Iluminat	Oprit	Iluminare intermitentă	
■	□	▧	
■ ■ ■ ■			Între 75% și 100%
■ ■ ■ □			Între 50% și 75%
■ ■ □ □			Între 25% și 50%
■ □ □ □			Între 0% și 25%
▧ □ □ □			Încărcați acumulatorul.
■ ■ □ □			Este posibil ca acumulatorul să fie defect.
□ □ ■ ■			

NOTĂ: În funcție de condițiile de utilizare și temperatura ambientală, indicația poate fi ușor diferită de capacitatea reală.

NOTĂ: Prima lampă indicatoare (extremitatea stângă) va lumina intermitent când sistemul de protecție a acumulatorului funcționează.

Reglarea înclinației brațului

Brațul poate fi rotit și fixat în orice unghi în intervalul „A” (-5° până la 90°) din figură. Reglați unghiul într-o poziție de lucru confortabilă.

Slăbiți pârghia de blocare ridicând-o. Rotiți brațul în poziția dorită și fixați pârghia de blocare pentru a fixa brațul bine.

► **Fig.3:** 1. Pârghie de blocare 2. Braț

Braț de înlocuire

6 mm (1/4”) și 13 mm (1/2”) împreună cu brațele opționale concepute pentru lățimile de bandă corespundente. Slăbiți șurubul care fixează brațul și înlocuiți brațul dotat standard cu brațul opțional, apoi strângeți șuruburile bine.

► **Fig.4:** 1. Șurub 2. Braț

Aționarea întrerupătorului

⚠AVERTIZARE: Pentru siguranța dumneavoastră, această mașină este echipată cu un întrerupător de deblocare care previne pornirea neintenționată a mașinii. Nu utilizați NICIODATĂ mașina dacă aceasta pornește la simpla apăsare a butonului declanșator, fără a elibera întrerupătorul de deblocare. Returnați mașina la un centru de service autorizat pentru efectuarea reparațiilor corespunzătoare ÎNAINTE de a continua utilizarea acesteia.

⚠ATENȚIE: Înainte de a monta cartușul acumulatorului în mașină, verificați întotdeauna dacă butonul declanșator funcționează corect și revine în poziția „OFF” (Oprit) când este eliberat. Operarea mașinii cu un întrerupător care nu funcționează corect poate duce la pierderea controlului și la vătămări corporale grave.

NOTĂ: Nu trageți puternic butonul declanșator fără a elibera întrerupătorul de deblocare. Întrerupătorul se poate rupe.

NOTĂ: Întrerupătorul de deblocare nu poate fi eliberat în timp ce brațul este rotit la 90°.

Pentru a preveni acționarea accidentală a butonului declanșator, mașina este prevăzută cu un întrerupător de deblocare. Apăsați pârghia de comutare (A) din partea A pentru a debloca butonul declanșator și (B) din partea B pentru a-l bloca.

► **Fig.5:** 1. Întrerupător de deblocare

Pentru a porni mașina, trageți butonul declanșator.

Pentru oprire, eliberați butonul declanșator.

Pentru operare continuă, trageți butonul declanșator și apoi apăsați butonul de blocare. Pentru a opri mașina din poziția comutatorului blocat, trageți complet butonul declanșator și apoi eliberați-l.

► **Fig.6:** 1. Buton de blocare 2. Buton declanșator

Aprinderea lămpii frontale

⚠ATENȚIE: Nu priviți direct în raza sau în sursa de lumină.

Dirjecția de iluminare poate fi reglată la trei niveluri, într-un unghi de 60°. Trageți butonul declanșator pentru a aprinde lampa. Pentru stingere, eliberați-l. Lampa se stinge la aproximativ 10 secunde de la eliberarea butonului declanșator.

► **Fig.7:** 1. Lampă

NOTĂ: Când mașina este supraîncălzită, indicatorul luminează intermitent timp de un minut. În acest caz, lăsați mașina să se răcească înainte de a o utiliza din nou.

NOTĂ: Folosiți o lavetă uscată pentru a șterge murdăria de pe lentila lămpii. Aveți grijă să nu zgăriați lentila lămpii deoarece, în caz contrar, iluminarea va fi redusă.

Disc rotativ pentru reglarea vitezei

Viteza benzii poate fi reglată între 600 m și 1.700 m pe minut. (1.970 - 5.600 ft/min) prin rotirea discului rotativ pentru reglarea vitezei la un anumit număr al setării de la 1 la 5. Viteza mai mare se obține atunci când discul este rotit în direcția numărului 5; viteza mai mică este obținută prin rotirea discului în direcția numărului 1. Selecția viteza corectă pentru piesa de prelucrat care trebuie șlefuită.

⚠️ ATENȚIE: Discul rotativ pentru reglarea vitezei poate fi rotit doar între numerele indicate pe discul rotativ. Nu aplicați forță excesivă pentru a roti discul rotativ în afara acestui interval; în caz contrar, este posibil ca reglarea vitezei să nu funcționeze.

► Fig.8: 1. Disc rotativ pentru reglarea vitezei

ASAMBLARE

⚠️ ATENȚIE: Asigurați-vă întotdeauna că mașina este oprită și cartușul acumulatorului este scos înainte de a executa orice lucrări la mașină.

Scoaterea și montarea benzii abrazive

Trageți înapoi pârghia-camă pentru a elibera tensiunea din bandă, apoi scoateți banda.

Pentru a monta banda, poziționați mai întâi o parte a benzii peste roata de transmisie din spate, prindeți cu cârligul cealaltă parte peste partea frontală a roții de transmisie și apoi fixați pârghia-camă în poziția inițială.

► Fig.9: 1. Pârghia-camă 2. Bandă abrazivă 3. Roata de transmisie din spate 4. Roată de transmisie frontală

Reglarea cursei benzii

Asigurați-vă că banda este aliniată cu brațul în mod corespunzător efectuând un test la viteză mică.

Utilizați șurubul cu cap striat pentru a centra cursa benzii. Rotiți șurubul în sens orar pentru a înclina brațul spre dreapta atunci când vă uitați în jos la mașină, cu brațul său orientat în față, și în sens antiorar spre stânga.

► Fig.10: 1. Braț 2. Șurub cu cap striat

Instalarea mânerului lateral

⚠️ ATENȚIE: Strângeți bine șurubul cu cap striat înainte de operare.

⚠️ ATENȚIE: Evitați aplicarea unei forțe externe puternice pe mânerul lateral; în caz contrar, prinderea bazei mânerului este slăbită, iar mașina poate cădea, provocând daune sau accidentări în condițiile următoare:

- Aplicarea unui impact complet asupra mânerului lateral în timpul funcționării
- Manevrarea mașinii în mod neglijent, ținând mânerul lateral doar cu o mână
- Transportarea mașinii ținând mânerul lateral doar cu o mână

Datorită mânerului lateral (mânerul auxiliar), mașina poate fi ținută bine în timpul funcționării.

1. Înșurubați maneta în piulița de fixare de pe baza mânerului.

► Fig.11: 1. Manetă 2. Baza mânerului 3. Piulița de fixare

2. Slăbiți șurubul cu cap striat de pe baza mânerului.

Atașați baza la țeava carcasei motorului, aliniind clapeta de blocare de pe bază cu canelura superficială de pe suprafața carcasei.

Strângeți șurubul cu cap striat pentru a fixa mânerul.

► Fig.12: 1. Șurub cu cap striat 2. Carcasa motorului

Conectarea la aspiratorul Makita

⚠️ ATENȚIE: Închideți întotdeauna capacul duzei atunci când nu este conectat niciun aspirator la duză. Nu introduceți niciodată degetul în duză.

NOTĂ: Citiți manualul de instrucțiuni furnizat împreună cu aspiratorul dumneavoastră înainte de a-l folosi.

NOTĂ: Garniturile frontale opționale 22, îmbinările sau adaptoarele mașinii pot fi necesare pentru a face legăturile în funcție de sistemul aspiratorului dumneavoastră.

Prin conectarea mașinii de șlefuit cu bandă la aspiratorul Makita se pot efectua operațiuni de șlefuire mai curate.

Deschideți capacul duzei și montați duza de praf.

Conectați furtunul unui aspirator la duza de praf.

► Fig.13: 1. Duză de praf 2. Garnituri frontale/îmbinare/adaptor 3. Furtunul aspiratorului 4. Aspirator

OPERAREA

⚠️ ATENȚIE: Fixați piesa de prelucrat cu cleme etc. dacă există posibilitatea ca aceasta să se miște în timpul funcționării.

⚠️ ATENȚIE: Evitați efectuarea oricăror operații de șlefuire pe materiale inflamabile, precum aluminiu sau magneziu. Aceasta poate conduce la un incendiu, la explozie sau la riscul de rănire.

⚠️ ATENȚIE: Asigurați-vă că nicio parte a benzii de șlefuit nu este poziționată pe suprafața piesei de prelucrat înainte de a porni sau de a opri mașina. În caz contrar, este posibil ca finisajul operațiunii de șlefuire să fie deficitar, banda să se deterioreze sau să pierdeți controlul mașinii.

⚠️ ATENȚIE: Evitați contactul corpului cu banda și cu părțile mașinii care se rotesc în timpul funcționării. Fiți atenți mereu la ceea ce se întâmplă în jur, la persoanele aflate în apropiere și la eventualele pericole.

⚠️ ATENȚIE: Nu încercați să țineți sau să utilizați mașina în poziție răsturnată. Acest lucru poate conduce la accidente grave, care pot produce vătămări corporale.

Porniți mașina și așteptați să atingă viteza maximă. Țineți mașina ferm cu ambele mâini. Poziționați cu grijă mașina pe suprafața piesei de prelucrat și mișcați mașina înainte și înapoi.

► Fig.14

► Fig.15

Utilizați întotdeauna intervalul „C” (între capătul tălpii plate și roata de transmisie frontală) din figură pentru a șlefui piesa de prelucrat.

Apăsăți banda ușor pe piesa de prelucrat. Presiunea excesivă poate deteriora banda și poate scurta durata de viață a mașinii.

► Fig.16: 1. Talpă plată 2. Roată de transmisie frontală

ÎNȚREȚINERE

ATENȚIE: Asigurați-vă întotdeauna că mașina este oprită și cartușul acumulatorului scos înainte de a executa lucrările de inspecție și întreținere.

NOTĂ: Nu utilizați niciodată gazolină, benzină, diluant, alcool sau alte substanțe asemănătoare. În caz contrar, pot rezulta decolorări, deformări sau fisuri.

Pentru a menține SIGURANȚA și FIABILITATEA produsului, reparațiile și orice alte lucrări de întreținere sau reglare trebuie executate de centre de service Makita autorizate sau proprii, folosind întotdeauna piese de schimb Makita.

Depozitare

ATENȚIE: Aveți grijă să nu vă prindeți degetele atunci când mișcați brațul. În caz contrar, există pericol de vătămare corporală.

Brațul poate fi deplasat într-un unghi de până la 160°. Pliati brațul în sus pentru a economisi spațiu de depozitare.

1. Slăbiți pârghia de blocare ridicând-o. Rotiți brațul la un unghi de 90°.
2. Împingeți și glisați butonul rotativ de glisare și apoi reglați unghiul brațului în intervalul „B” (90° până la 160°) din figură.

► Fig.17: 1. Pârghie de blocare 2. Buton rotativ de glisare 3. Braț

3. Fixați pârghia de blocare pentru a fixa brațul.

► Fig.18: 1. Pârghie de blocare 2. Întrerupător de deblocare

NOTĂ: Întrerupătorul de deblocare se activează automat în timp ce brațul este rotit la 90°.

ACCESORII OPȚIONALE

ATENȚIE: Folosiți accesoriile sau piesele auxiliare recomandate pentru mașina dumneavoastră Makita în acest manual. Utilizarea oricăror alte accesorii sau piese auxiliare poate prezenta risc de vătămare corporală. Utilizați accesorii și piesele auxiliare numai în scopul destinat.

Dacă aveți nevoie de asistență sau de mai multe detalii referitoare la aceste accesorii, adresați-vă centrului local de service Makita.

- Ansamblu duză de praf
- Braț (6, 9, 13 mm (1/4", 3/8", 1/2"))
- Benzi abrazive
- Set capac de protecție contra prafului
- Set furtun 28
- Garnituri frontale
- Acumulator și încărcător original Makita

NOTĂ: Unele articole din listă pot fi incluse ca accesorii standard în ambalajul de scule. Acestea pot diferi în funcție de țară.

ТЕХНІЧНІ ХАРАКТЕРИСТИКИ

Модель:	DBS180
Розмір стрічки	9 мм × 533 мм
Швидкість руху стрічки	600 - 1 700 м/хв
Загальна довжина	500 мм *1
Номінальна напруга	18 В пост. струму
Маса нетто	2,1 кг

*1. З абразивною стрічкою й касетою з акумулятором (BL1860B).

- Оскільки наша програма наукових досліджень і розробок триває безперервно, наведені тут технічні характеристики можуть бути змінені без попередження.
- У різних країнах технічні характеристики можуть бути різними.
- Вага разом із касетою з акумулятором відповідно до стандарту ЕРТА (Європейська асоціація виробників електродвигунів) від січня 2014 року

Застосовна касета з акумулятором і зарядний пристрій

Касета з акумулятором	BL1815N / BL1820 / BL1820B / BL1830 / BL1830B / BL1840 / BL1840B / BL1850 / BL1850B / BL1860B
Зарядний пристрій	DC18RC / DC18RD / DC18RE / DC18SD / DC18SE / DC18SF / DC18SH

- Деякі касети з акумулятором і зарядні пристрої, які вказано вище, можуть бути недоступними залежно від вашого регіону або місця перебування.

⚠ПОПЕРЕДЖЕННЯ: Використовуйте лише касети з акумулятором і зарядні пристрої, перелічені вище. Використання будь-яких інших касет з акумулятором і зарядних пристроїв може призвести до травмування й/або пожежі.

Призначення

Інструмент призначено для шліфування великих поверхонь із деревини, пластмаси й металу, а також пофарбованих поверхонь.

Шум

Рівень шуму за шкалою А в типовому виконанні, визначений відповідно до стандарту EN62841-2-4: Рівень звукового тиску (L_{pA}): 77 дБ (А)
Похибка (К): 3 дБ (А)

ПРИМІТКА: Заявлене значення шуму було виміряно відповідно до стандартних методів тестування й може використовуватися для порівняння одного інструмента з іншим.

ПРИМІТКА: Заявлене значення шуму може також використовуватися для попереднього оцінювання впливу.

⚠ПОПЕРЕДЖЕННЯ: Користуйтеся засобами захисту органів слуху.

⚠ПОПЕРЕДЖЕННЯ: Залежно від умов використання рівень шуму під час фактичної роботи електродвигуна може відрізнитися від заявленого значення вібрації; особливо сильно на це впливає тип деталі, що оброблюється.

⚠ПОПЕРЕДЖЕННЯ: Забезпечте належні запобіжні заходи для захисту оператора, що відповідають умовам використання інструмента (слід брати до уваги всі складові робочого циклу, як-от час, коли інструмент вимкнено та коли він починає працювати на холостому ході під час запуску).

Вібрація

Загальна величина вібрації (векторна сума трьох напрямків) визначена згідно з EN62841-2-4:
Режим роботи: робота на холостому ході
Вібрація (a_h): 2,5 м/с² або менше
Похибка (К): 1,5 м/с²

ПРИМІТКА: Заявлене загальне значення вібрації було виміряно відповідно до стандартних методів тестування й може використовуватися для порівняння одного інструмента з іншим.

ПРИМІТКА: Заявлене загальне значення вібрації може також використовуватися для попереднього оцінювання впливу.

⚠ ПОПЕРЕДЖЕННЯ: Залежно від умов використання вібрація під час фактичної роботи електроінструмента може відрізнятися від заявленого значення вібрації; особливо сильно на це впливає тип деталі, що оброблюється.

⚠ ПОПЕРЕДЖЕННЯ: Забезпечте належні запобіжні заходи для захисту оператора, що відповідатимуть умовам використання інструмента (слід брати до уваги всі складові робочого циклу, як-от час, коли інструмент вимкнено та коли він починає працювати на холостому ході під час запуску).

Декларація про відповідність стандартам ЄС

Тільки для країн Європи

Декларацію про відповідність стандартам ЄС наведено в Додатку А до цієї інструкції з експлуатації.

ПОПЕРЕДЖЕННЯ ПРО ДОТРИМАННЯ ТЕХНІКИ БЕЗПЕКИ

Загальні застереження щодо техніки безпеки при роботі з електроінструментами

⚠ ПОПЕРЕДЖЕННЯ: Уважно ознайомтеся з усіма попередженнями про дотримання правил техніки безпеки, інструкціями, ілюстраціями та технічними характеристиками, що стосуються цього електроінструмента. Невиконання будь-яких інструкцій, перелічених нижче, може призвести до ураження електричним струмом, пожежі та/або тяжких травм.

Збережіть усі інструкції з техніки безпеки та експлуатації на майбутнє.

Термін «електроінструмент», зазначений у інструкції з техніки безпеки, стосується електроінструмента, який функціонує від електромережі (електроінструмент з кабелем живлення), або електроінструмента з живленням від батареї (безпроводний електроінструмент).

ПРАВИЛА ТЕХНІКИ БЕЗПЕКИ ПІД ЧАС РОБОТИ З АКУМУЛЯТОРНОЮ СТРІЧКОВОЮ ШЛІФУВАЛЬНОЮ МАШИНОЮ

1. Під час шліфування провітрюйте робоче приміщення належним чином.
2. Деякі матеріали містять токсичні хімічні речовини. Будьте обережні, щоб уникнути вдихання пилу й потрапляння таких матеріалів на шкіру. Дотримуйтеся правил техніки безпеки, передбачених виробником матеріалу.

3. Обов'язково використовуйте пилозахисну маску або респиратор відповідно до сфери застосування й оброблюваного матеріалу.
4. Обов'язково використовуйте захисні окуляри. Звичайні або сонцезахисні окуляри НЕ Є захисними.
5. Міцно тримайте інструмент обома руками.
6. Перевертайте перед увімкненням, щоб стрічка не торкалася деталі.
7. Не наближайте руки до деталей, що обертаються.
8. Не залишайте без нагляду інструмент, який працює. Працюйте з інструментом, тільки тримаючи його в руках.
9. Цей інструмент не має гідроізоляції, тому не можна зволожувати поверхню оброблюваної деталі.

ЗБЕРІГАЙТЕ ЦІ ВКАЗІВКИ.

⚠ ПОПЕРЕДЖЕННЯ: НИКОЛИ НЕ втрачайте пильності та не розслабляйтеся під час користування виробом (що можливо при частому користуванні); обов'язково строго дотримуйтеся відповідних правил безпеки. **НЕНАЛЕЖНЕ ВИКОРИСТАННЯ** або недотримання правил безпеки, викладених у цій інструкції з експлуатації, може призвести до серйозних травм.

Важливі інструкції з безпеки для касети з акумулятором

1. Перед тим як користуватися касетою з акумулятором, слід прочитати всі інструкції та застережні знаки щодо (1) зарядного пристрою акумулятора, (2) акумулятора та (3) виробів, що працюють від акумулятора.
2. Не розбирайте касету з акумулятором і не змінюйте її конструкцію. Це може призвести до пожежі, перегріву або вибуху.
3. Якщо період роботи дуже покоротшав, слід негайно припинити користування. Це може призвести до виникнення ризику перегріву, опіку та навіть вибуху.
4. У разі потрапляння електроліту в очі слід промити їх чистою водою та негайно звернутися до лікаря. Це може призвести до втрати зору.
5. Не закоротіть касету з акумулятором.
 - (1) Не слід торкатися клем будь-яким струмопровідним матеріалом.
 - (2) Не слід зберігати касету з акумулятором у ємності з іншими металевими предметами, такими як цвяхи, монети тощо.
 - (3) Не залишайте касету з акумулятором під дощем, запобігайте контакту з водою. Коротке замикання може призвести до появи значного струму, перегріву, можливих опіків та навіть виходу з ладу.
6. Не слід зберігати й використовувати інструмент і касету з акумулятором у місцях, де температура може сягнути чи перевищити 50 °C (122 °F).
7. Не слід спалювати касету з акумулятором, навіть якщо вона була неодноразово пошкоджена або повністю спрацьована. Касета з акумулятором може вибухнути у вогні.

8. **Заборонено забивати цвяхи в касету з акумулятором, різати, ламати, кидати, впускати касету з акумулятором або вдаряти її твердим предметом.** Це може призвести до пожежі, перегріву або вибуху.
9. **Не слід використовувати пошкоджений акумулятор.**
10. **Літій-іонні акумулятори, що містяться в інструменті, мають відповідати вимогам законів про небезпечні товари.**
Під час транспортування за допомогою комерційних перевезень, наприклад із залученням третьої сторони та експедиторів, необхідно дотримуватись особливих вимог, вказаних на пакуванні й у маркуванні.
Під час підготування позиції до відправлення необхідно проконсультуватись зі спеціалістом з небезпечних матеріалів. Крім того, слід виконувати більш докладні національні настанови, якщо такі є. Заклейте відкриті контакти стрічкою або заховайте їх і запакуйте акумулятор таким чином, щоб він не міг рухатися в пакуванні.
11. **Для утилізації касети з акумулятором витягніть її з інструмента та утилізуйте безпечним способом.** Дотримуйтеся норм місцевого законодавства щодо утилізації акумуляторів.
12. **Використовуйте акумулятори лише з виробами, указаними компанією Makita.** Установлення акумуляторів у невідповідні вироби може призвести до пожежі, надмірного нагрівання, вибуху чи витоку електроліту.
13. **Якщо інструментом не користуватимуться протягом тривалого періоду часу, вийміть акумулятор з інструмента.**
14. **Під час і після використання касета з акумулятором може нагріватися, що може стати причиною опіків або низькотемпературних опіків.** Будьте обережні під час поводження з гарячою касетою з акумулятором.
15. **Не торкайтеся контактів інструмента відразу після використання, оскільки він може бути досить гарячим, щоб викликати опіки.**
16. **Не допускайте, щоб уламки, пил або земля прилипали до контактів, отворів і пазів на касеті з акумулятором.** Це може привести до зниження експлуатаційних параметрів, поломки інструмента або касети з акумулятором.
17. **Якщо інструмент не розраховано на використання поблизу високовольтних ліній електропередач, не використовуйте касету з акумулятором поблизу високовольтних ліній електропередач.** Це може призвести до несправності, поломки інструмента або касети з акумулятором.
18. **Тримайте акумулятор у недоступному для дітей місці.**

ЗБЕРІГАЙТЕ ЦІ ВКАЗІВКИ.

⚠ОБЕРЕЖНО: Використовуйте тільки акумулятори Makita. Використання акумуляторів, інших ніж оригінальні акумулятори Makita, або акумуляторів, конструкцію яких було змінено, може призвести до вибуху акумулятора і спричинити пожежу, травму або пошкодження. У зв'язку з цим також буде анульовано гарантію Makita на інструмент Makita і на зарядний пристрій.

Поради з забезпечення максимального строку експлуатації акумулятора

1. Касету з акумулятором слід заряджати до того, як він розрядиться повністю. Завжди слід зупиняти роботу інструмента та зарядити акумулятор, якщо він помітили зменшення потужності інструмента.
2. Ніколи не слід заряджати повторно повністю заряджену касету з акумулятором. Перезарядження скорочує строк експлуатації акумулятора.
3. **Заряджайте касету з акумулятором при кімнатній температурі 10°C - 40°C (50°F - 104°F).** Перед тим як заряджати касету з акумулятором, слід зачекати, доки вона охолоне.
4. Коли касета з акумулятором не використовується, виймайте її з інструмента або зарядного пристрою.
5. **Якщо касета з акумулятором не використовувалася тривалий час (понад шість місяців), її слід зарядити.**

ОПИС РОБОТИ

⚠ОБЕРЕЖНО: Обов'язково переконайтеся, що прилад вимкнено, а касету з акумулятором знято, перед регулюванням або перевіркою функціонування інструмента.

Встановлення та зняття касети з акумулятором

⚠ОБЕРЕЖНО: Завжди вимикайте інструмент перед встановленням або зняттям касети з акумулятором.

⚠ОБЕРЕЖНО: Під час встановлення або зняття касети з акумулятором слід міцно тримати інструмент та касету з акумулятором. Якщо ви утримуватимете інструмент та касету з акумулятором недостатньо міцно, вони можуть вислизнути з рук, що може призвести до пошкодження інструмента та касети з акумулятором або може спричинити травми.

► **Рис. 1:** 1. Червоний індикатор 2. Кнопка 3. Касета з акумулятором

Щоб зняти касету з акумулятором, слід витягнути її з інструмента, натиснувши на кнопку в передній частині касети.

Щоб установити касету з акумулятором, слід сумістити виступ на касеті з акумулятором із пазом у корпусі та вставити касету на місце. Її необхідно вставити повністю, аж доки не почуєте клацання. Якщо на верхній частині кнопки помітний червоний індикатор, це означає, що касета з акумулятором установлена не до кінця.

⚠ОБЕРЕЖНО: Завжди вставляйте касету з акумулятором повністю, щоб червоного індикатора не було видно. Якщо цього не зробити, касета може випадково випасти з інструмента та завдати травми вам або людям, що знаходяться поряд.

⚠ОБЕРЕЖНО: Не встановлюйте касету з акумулятором із зусиллям. Якщо касета не вставляється легко, то це означає, що ви її неправильно вставляєте.

Система захисту інструмента/ акумулятора

Інструмент оснащено системою захисту інструмента/ акумулятора. Ця система автоматично вимикає живлення з метою подовження терміну служби інструмента й акумулятора. Інструмент автоматично зупиняється під час роботи, якщо інструмент або акумулятор перебувають у зазначених далі умовах.

Захист від перевантаження

Цей захист спрацьовує в разі занадто високого споживання струму інструментом у поточному режимі експлуатації. У такому випадку вимкніть інструмент і припиніть роботу, під час виконання якої сталося перевантаження інструмента. Щоб перезапустити інструмент, увімкніть його знову.

Захист від перегрівання

Цей захист спрацьовує в разі перегрівання інструмента або акумулятора. У такому випадку дайте інструменту й акумулятору охолонути, перш ніж знову ввімкнути інструмент.

















Захист від надмірного розрядження

Цей захист спрацьовує, коли рівень заряду акумулятора стає низьким. У цій ситуації вийміть акумулятор з інструмента й зарядіть його.

Відображення залишкового заряду акумулятора

Тільки для касет з акумулятором, які мають індикатори

► Рис.2: 1. Індикаторні лампи 2. Кнопка перевірки. Натисніть кнопку перевірки на касеті з акумулятором для відображення залишкового ресурсу акумулятора. Індикаторні лампи загоряться на кілька секунд.

Індикаторні лампи			Залишковий ресурс
Горить	Вимк.	Блимає	
			
			від 75 до 100%
			від 50 до 75%
			від 25 до 50%
			від 0 до 25%
			Зарядіть акумулятор.
			Можливо, акумулятор вийшов з ладу.
			

ПРИМІТКА: Залежно від умов використання та температури оточуючого середовища показання можуть незначним чином відрізнятися від дійсного ресурсу.

ПРИМІТКА: Перша (дальня ліва) індикаторна лампа блимає під час роботи захисної системи акумулятора.

Регулювання нахилу штанги

Штангу можна повернути й зафіксувати під будь-яким потрібним кутом у діапазоні «А» (от -5° до 90°), як показано на рисунку. Відрегулюйте кут, щоб домогтися зручного робочого положення. Послабте важіль блокування, піднявши його. Поверніть штангу в потрібне положення й заблокуйте ступорний важіль, щоб надійно зафіксувати штангу.

► Рис.3: 1. Важіль блокування 2. Штанга

Заміна штанги

Стрічки шириною 6 мм (1/4") і 13 мм (1/2") можна встановлювати з додатковими штангами, розрахованими на стрічки відповідної ширини. Відпустіть гвинт, яким фіксується штанга, і замініть стандартний важіль на додатковий, після чого щільно затягніть гвинт.

► Рис.4: 1. Гвинт 2. Штанга

Робота вимикача

▲ПОПЕРЕДЖЕННЯ: З міркувань безпеки цей інструмент оснащено перемикачем блокування у вимкненому положенні, що запобігає довільному запуску інструмента. **ЗАБОРОНЕНО** користуватися інструментом, якщо він вмикається простим натисканням курка вимикача без відпускання перемикача блокування у вимкненому положенні. **ПЕРЕД** подальшим використанням інструмент слід передати до нашого авторизованого сервісного центру для ремонту.

▲ОБЕРЕЖНО: Перш ніж вставляти касету з акумулятором в інструмент, слід перевірити роботу курка вимикача: він має повертатися в положення «OFF» (Вимк.), коли його відпускають. Робота з інструментом, вмикач якого не спрацьовує належним чином, може призвести до втрати контролю над інструментом і до отримання тяжких травм.

УВАГА: Не тисніть сильно на курок вимикача, якщо не було відпущено перемикач блокування у вимкненому положенні. Це може призвести до поломки вимикача.

УВАГА: Перемикач блокування у вимкненому положенні не можна відпустити, якщо штангу повернуто більш ніж на 90° .

Для запобігання випадковому натисканню курка вимикача передбачено блокування у вимкненому положенні. Натисніть важіль вимикача (▲) з боку А, щоб розблокувати курок вимикача, і (▲) з боку В, щоб заблокувати.

► Рис.5: 1. Перемикач блокування у вимкненому положенні

Щоб запустити інструмент, натисніть курок вимикача. Відпустіть курок вимикача, щоб припинити роботу. Для безперервної роботи натисніть курок вимикача, а потім кнопку блокування. Щоб зупинити інструмент, який працює в режимі заблокованого перемикача, натисніть курок вимикача до кінця, а потім відпустіть його.

► Рис.6: 1. Кнопка фіксації 2. Курок вимикача

Увімкнення переднього підсвічування

⚠ОБЕРЕЖНО: Не дивіться на світло або безпосередньо на джерело світла.

Напрямок освітлення можна регулювати в три рівні під кутом 60°. Натисніть на курок вмикача, щоб увімкнути лампу. Щоб вимкнути її, відпустіть курок вмикача. Підсвічування згасне приблизно через 10 секунд після того, як курок вмикача буде відпущено.

► Рис.7: 1. Лампа

ПРИМІТКА: У разі перегрівання інструмента освітлення блиматиме протягом однієї хвилини. У цьому випадку слід дати інструментові охолонути, перш ніж продовжувати роботу.

ПРИМІТКА: Для очищення скла лампи підсвічування протріть її сухою тканиною. Будьте обережні, щоб не подряпати скло лампи підсвічування, тому що це погіршить освітлювання.

Диск регулювання швидкості

Швидкість стрічки можна регулювати в діапазоні від 600 м до 1 700 м за хвилину (1 970 - 5 600 футів/хв), повертаючи диск регулювання швидкості й вибираючи номер налаштування від 1 до 5.

Для підвищення швидкості роботи повертайте диск у напрямку цифри 5; для зниження швидкості роботи – у напрямку цифри 1. Виберіть належну швидкість для деталі, яку потрібно шліфувати.

⚠ОБЕРЕЖНО: Диск регулювання швидкості можна повертати тільки між цифрами, зазначеними на регуляторі. Не застосовуйте надмірного зусилля, щоб повернути регулятор за межі цього діапазону, інакше регулювання швидкості може не працювати.

► Рис.8: 1. Диск регулювання швидкості

ЗБОРКА

⚠ОБЕРЕЖНО: Обов'язково переконайтеся, що прилад вимкнено, а касету з акумулятором знято, перш ніж проводити будь-які роботи з інструментом.

Зняття й установлення абразивної стрічки

Потягніть кулачковий важіль назад, щоб послабити натяг стрічки, і зніміть стрічку. Щоб установити стрічку, спочатку встановіть стрічку з одного боку на задній шків, надіньте стрічку з іншого боку на передній шків і переведіть кулачковий важіль у вихідне положення.

► Рис.9: 1. Кулачковий важіль 2. Абразивна стрічка 3. Задній шків 4. Передній шків

Регулювання положення стрічки

Переконайтеся в тому, що стрічку правильно суміщено зі штангою під час пробного пуску на низькій швидкості. Для центрування положення стрічки використовуйте гвинт із накатаною головкою. Поверніть гвинт за годинниковою стрілкою, щоб нахилити штангу вправо, якщо дивитися на інструмент зі спрямованою вперед штангою, і проти годинникової стрілки – щоб нахилити вліво.

► Рис.10: 1. Штанга 2. Гвинт із накатаною головкою

Установлення бокової рукоятки

⚠ОБЕРЕЖНО: Надійно затягніть гвинт із накатаною головкою перед початком роботи.

⚠ОБЕРЕЖНО: Не застосовуйте надмірної зовнішньої сили до бокової рукоятки, оскільки це може призвести до ослаблення фіксації основи рукоятки, у результаті чого інструмент може впасти й спричинити пошкодження або травми за зазначених далі умов:

- Сильний удар по боковій рукоятці під час роботи
- Недбале втримання інструмента однією рукою за бокову рукоятку
- Перенесення інструмента тільки однією рукою за бокову рукоятку

Бокова рукоятка (додаткова рукоятка) допомагає міцно втримувати інструмент під час роботи.

1. Вкрутіть рукоятку в гайку кріплення в основі рукоятки.

► Рис.11: 1. Рукоятка 2. Основа рукоятки 3. Гайка кріплення

2. Відпустіть гвинт із накатаною головкою в основі рукоятки. Прикріпіть основу до циліндричної частини корпусу двигуна, поєднавши стопорний виступ на основі з неглибоким пазом у верхній корпус.

Затягніть гвинт із накатаною головкою, щоб закріпити рукоятку.

► Рис.12: 1. Гвинт із накатаною головкою 2. Корпусу двигуна

Під'єднання до пилососа Makita

⚠ОБЕРЕЖНО: Завжди закривайте ковпачок штуцера, коли пилосос не під'єднано до штуцера. Заборонено вставляти палець у штуцер.

УВАГА: Перед початком експлуатації прочитайте інструкцію з експлуатації до пилососа.

ПРИМІТКА: Для виконання з'єднання, залежно від системи пилососа, можуть знадобитися додаткові передні манжети 22, з'єднання або адаптери інструментів.

Чистішого шліфування можна домогтися, якщо під'єднати стрічкову шліфувальну машину до пилососа Makita.

Відкрийте ковпачок штуцера й установіть штуцер для пилу.

Під'єднайте шланг пилососа до штуцера для пилу.

► Рис.13: 1. Штуцер для пилу 2. Передні манжети / з'єднання / адаптер 3. Шланг пилососа 4. Пилосос

РОБОТА

⚠ОБЕРЕЖНО: Зафіксуйте оброблювану деталь хомутами тощо, якщо вона зміщується під час роботи.

⚠ОБЕРЕЖНО: Не виконуйте шліфування займистих матеріалів, наприклад алюмінію або магнію. Це може призвести до пожежі, вибуху або небезпеки отримання травм.

⚠ОБЕРЕЖНО: Перш ніж вмикати або вимкати інструмент, переконайтеся в тому, що жодна частина шліфувальної стрічки не перебуває на поверхні оброблюваної деталі. Невиконання цієї вимоги може привести до низької якості шліфування, пошкодження стрічки або втрати контролю над інструментом.

⚠ОБЕРЕЖНО: Не допускайте контакту частин тіла з обертовими деталями інструмента під час роботи. Завжди контролюйте навколишню ситуацію й присутність сторонніх осіб, і будьте пильні щодо можливих небезпек.

⚠ОБЕРЕЖНО: Не намагайтеся втримувати інструмент і експлуатувати його в перевернутому положенні. Це може призвести до тяжкого нещасного випадку з тілесними ушкодженнями.

Увімкніть інструмент і зачекайте, доки він набере повної швидкості. Міцно тримайте інструмент обома руками. Акратно притисніть інструмент до поверхні оброблюваної деталі й переміщуйте його вперед і назад.

► Рис.14

► Рис.15

Завжди використовуйте діапазон «С» (між кінцем плоского черевика й переднім шківом), як показано на рисунку, для шліфування оброблюваної деталі. Притискайте стрічку до оброблюваної деталі з незначним зусиллям. Надмірний тиск може пошкодити стрічку й скоротити термін служби інструмента.

► Рис.16: 1. Плоский черевик 2. Передній шків

ТЕХНІЧНЕ ОБСЛУГОВУВАННЯ

⚠ОБЕРЕЖНО: Перед здійсненням перевірки або обслуговування завжди перевіряйте, щоб інструмент був вимкнений, а касета з акумулятором була знята.

УВАГА: Ніколи не використовуйте газолін, бензин, розріджувач, спирт та подібні речовини. Їх використання може призвести до зміни кольору, деформації або появи тріщин.

Для забезпечення БЕЗПЕКИ та НАДІЙНОСТІ продукції, її ремонт, а також роботи з обслуговування або регулювання повинні виконуватись уповноваженими або заводськими сервісними центрами Makita із використанням запчастин виробництва компанії Makita.

Зберігання

⚠ОБЕРЕЖНО: Будьте обережні, щоб не затиснути пальці під час пересування штанги. Невиконання цієї вимоги може призвести до отримання травм.

Штанга може рухатися під кутом до 160°. Складіть штангу, щоб для зберігання пристрою було потрібно менше місця.

1. Послабте важіль блокування, піднявши його. Поверніть штангу під кутом 90°.
2. Натисніть і утримуйте кнопку повзунка й відрегулюйте кут штанги в діапазоні «В» (від 90° до 160°), як показано на рисунку.

► Рис.17: 1. Важіль блокування 2. Кнопка повзунка 3. Штанга

3. Закріпіть стопорний важіль, щоб зафіксувати штангу.

► Рис.18: 1. Важіль блокування 2. Перемикач блокування у вимкненому положенні

УВАГА: Перемикач блокування у вимкненому положенні активується автоматично, якщо штангу повернуто на кут, що перевищує 90°.

ДОДАТКОВЕ ПРИЛАДДЯ

⚠ОБЕРЕЖНО: Це додаткове та допоміжне обладнання рекомендовано використовувати з інструментом Makita, зазначеним у цій інструкції з експлуатації. Використання будь-якого іншого додаткового та допоміжного обладнання може становити небезпеку травмування. Використовуйте додаткове та допоміжне обладнання лише за призначенням.

У разі необхідності отримати допомогу в більш детальному ознайомленні з оснащенням звертайтеся до місцевого сервісного центру Makita.

- Штуцер для пилу в зборі
- Штанга (6, 9, 13 мм (1/4", 3/8", 1/2"))
- Абразивні стрічки
- Пилозахисна кришка в зборі
- Шланг у зборі 28
- Передні манжети
- Оригінальний акумулятор та зарядний пристрій Makita

ПРИМІТКА: Деякі елементи списку можуть входити до комплекту інструмента як стандартне приладдя. Вони можуть відрізнятися залежно від країни.

ТЕХНИЧЕСКИЕ ХАРАКТЕРИСТИКИ

Модель:	DBS180
Размер ленты	9 мм × 533 мм
Скорость движения ленты	600 - 1 700 м/мин
Общая длина	500 мм *1
Номинальное напряжение	18 В пост. тока
Масса нетто	2,1 кг

*1. С абразивной лентой и блоком аккумулятора (BL1860B).

- Благодаря нашей постоянно действующей программе исследований и разработок указанные здесь технические характеристики могут быть изменены без предварительного уведомления.
- Технические характеристики могут различаться в зависимости от страны.
- Масса (с блоком аккумулятора) в соответствии с процедурой ЕРТА 01.2014

Подходящий блок аккумулятора и зарядное устройство

Блок аккумулятора	BL1815N / BL1820 / BL1820B / BL1830 / BL1830B / BL1840 / BL1840B / BL1850 / BL1850B / BL1860B
Зарядное устройство	DC18RC / DC18RD / DC18RE / DC18SD / DC18SE / DC18SF / DC18SH

- В зависимости от региона проживания некоторые блоки аккумуляторов и зарядные устройства, перечисленные выше, могут быть недоступны.

⚠ОСТОРОЖНО: Используйте только перечисленные выше блоки аккумуляторов и зарядные устройства. Использование других блоков аккумуляторов и зарядных устройств может привести к травме и/или пожару.

Назначение

Инструмент предназначен для шлифовки больших поверхностей из древесины, пластмассы и металлических материалов, а также окрашенных поверхностей.

Шум

Типичный уровень взвешенного звукового давления (A), измеренный в соответствии с EN62841-2-4: Уровень звукового давления (L_{pA}): 77 дБ (A)
Погрешность (K): 3 дБ (A)

ПРИМЕЧАНИЕ: Заявленное значение распространения шума измерено в соответствии со стандартной методикой испытаний и может быть использовано для сравнения инструментов.

ПРИМЕЧАНИЕ: Заявленное значение распространения шума можно также использовать для предварительных оценок воздействия.

⚠ОСТОРОЖНО: Используйте средства защиты слуха.

⚠ОСТОРОЖНО: Распространение шума во время фактического использования электроинструмента может отличаться от заявленного значения в зависимости от способа применения инструмента и в особенности от типа обрабатываемой детали.

⚠ОСТОРОЖНО: Обязательно определите меры безопасности для защиты оператора, основанные на оценке воздействия в реальных условиях использования (с учетом всех этапов рабочего цикла, таких как выключение инструмента, работа без нагрузки и включение).

Вибрация

Суммарное значение вибрации (сумма векторов по трем осям), определенное в соответствии с EN62841-2-4:
Рабочий режим: работа без нагрузки
Распространение вибрации (a_n): 2,5 м/с² или менее
Погрешность (K): 1,5 м/с²

ПРИМЕЧАНИЕ: Заявленное общее значение распространения вибрации измерено в соответствии со стандартной методикой испытаний и может быть использовано для сравнения инструментов.

ПРИМЕЧАНИЕ: Заявленное общее значение распространения вибрации можно также использовать для предварительных оценок воздействия.

⚠ОСТОРОЖНО: Распространение вибрации во время фактического использования электроинструмента может отличаться от заявленного значения в зависимости от способа применения инструмента и в особенности от типа обрабатываемой детали.

⚠ОСТОРОЖНО: Обязательно определите меры безопасности для защиты оператора, основанные на оценке воздействия в реальных условиях использования (с учетом всех этапов рабочего цикла, таких как выключение инструмента, работа без нагрузки и включение).

Декларация о соответствии ЕС

Только для европейских стран

Декларация о соответствии ЕС включена в руководство по эксплуатации (Приложение А).

МЕРЫ БЕЗОПАСНОСТИ

Общие рекомендации по технике безопасности для электроинструментов

⚠ОСТОРОЖНО: Ознакомьтесь со всеми представленными инструкциями по технике безопасности, указаниями, иллюстрациями и техническими характеристиками, прилагаемыми к данному электроинструменту. Несоблюдение каких-либо инструкций, указанных ниже, может привести к поражению электрическим током, пожару и/или серьезной травме.

Сохраните брошюру с инструкциями и рекомендациями для дальнейшего использования.

Термин "электроинструмент" в предупреждениях относится ко всему инструменту, работающему от сети (с проводом) или на аккумуляторах (без провода).

МЕРЫ БЕЗОПАСНОСТИ ПРИ ИСПОЛЬЗОВАНИИ АККУМУЛЯТОРНОЙ ЛЕНТОЧНОЙ ШЛИФОВАЛЬНОЙ МАШИНЫ

1. При выполнении шлифовки обеспечьте хорошую вентиляцию места проведения работ.
2. Некоторые материалы могут содержать токсичные химические вещества. Примите соответствующие меры предосторожности, чтобы избежать вдыхания пыли или попадания таких веществ на кожу. Соблюдайте требования, указанные в паспорте безопасности материала.
3. Обязательно используйте соответствующую пылезащитную маску/респиратор для защиты дыхательных путей от пыли разрежаемых материалов.
4. Обязательно надевайте защитные очки или защитную маску для лица. Обычные или солнцезащитные очки НЕ являются защитными очками.
5. Крепко держите инструмент обеими руками.
6. Перед включением инструмента убедитесь в том, что лента не касается обрабатываемой детали.
7. Руки должны находиться на безопасном расстоянии от вращающихся деталей.
8. Не оставляйте работающий инструмент без присмотра. Включайте инструмент только тогда, когда он находится в руках.
9. Данный инструмент не является водонепроницаемым, поэтому не следует использовать воду на поверхности обрабатываемой детали.

СОХРАНИТЕ ДАННЫЕ ИНСТРУКЦИИ.

⚠ОСТОРОЖНО: НЕ ДОПУСКАЙТЕ, чтобы удобство или опыт эксплуатации данного устройства (полученный от многократного использования) доминировали над строгим соблюдением правил техники безопасности при обращении с этим устройством. НЕПРАВИЛЬНОЕ ИСПОЛЬЗОВАНИЕ инструмента или несоблюдение правил техники безопасности, указанных в данном руководстве, может привести к тяжелой травме.

Важные правила техники безопасности для работы с аккумуляторным блоком

1. Перед использованием аккумуляторного блока прочитайте все инструкции и предупреждающие надписи на (1) зарядном устройстве, (2) аккумуляторном блоке и (3) инструменте, работающем от аккумуляторного блока.
2. Не разбирайте блок аккумулятора и не меняйте его конструкцию. Это может привести к пожару, перегреву или взрыву.

3. Если время работы аккумуляторного блока значительно сократилось, немедленно прекратите работу. В противном случае, может возникнуть перегрев блока, что приведет к ожогам и даже к взрыву.
4. В случае попадания электролита в глаза промойте их обильным количеством чистой воды и немедленно обратитесь к врачу. Это может привести к потере зрения.
5. Не замыкайте контакты аккумуляторного блока между собой:
 - (1) Не прикасайтесь к контактам какими-либо токопроводящими предметами.
 - (2) Не храните аккумуляторный блок в контейнере вместе с другими металлическими предметами, такими как гвозди, монеты и т. п.
 - (3) Не допускайте попадания на аккумуляторный блок воды или дождя.

Замыкание контактов аккумуляторного блока между собой может привести к возникновению большого тока, перегреву, возможным ожогам и даже поломке блока.

6. Не храните и не используйте инструмент и аккумуляторный блок в местах, где температура может достигать или превышать 50 °C (122 °F).
7. Не бросайте аккумуляторный блок в огонь, даже если он сильно поврежден или полностью вышел из строя. Аккумуляторный блок может взорваться под действием огня.
8. Запрещено вбивать гвозди в блок аккумулятора, резать, ломать, бросать, ронять блок аккумулятора или ударять его твердым предметом. Это может привести к пожару, перегреву или взрыву.
9. Не используйте поврежденный аккумуляторный блок.
10. Входящие в комплект литий-ионные аккумуляторы должны эксплуатироваться в соответствии с требованиями законодательства об опасных товарах.
При коммерческой транспортировке, например, третьей стороной или экспедитором, необходимо нанести на упаковку специальные предупреждения и маркировку.
В процессе подготовки устройства к отправке обязательно проконсультируйтесь со специалистом по опасным материалам. Также соблюдайте местные требования и нормы. Они могут быть строже.
Закройте или закрепите разомкнутые контакты и упакуйте аккумулятор так, чтобы он не перемещался по упаковке.

11. Для утилизации блока аккумулятора извлеките его из инструмента и утилизируйте безопасным способом. Выполняйте требования местного законодательства по утилизации аккумуляторного блока.
12. Используйте аккумуляторы только с продукцией, указанной Makita. Установка аккумуляторов на продукцию, не соответствующую требованиям, может привести к пожару, перегреву, взрыву или утечке электролита.

13. Если инструментом не будут пользоваться в течение длительного периода времени, извлеките аккумулятор из инструмента.
14. Во время и после использования блок аккумулятора может нагреваться, что может стать причиной ожогов или низкотемпературных ожогов. Будьте осторожны при обращении с горячим блоком аккумулятора.
15. Не прикасайтесь к контактам инструмента сразу после использования, поскольку они могут быть достаточно горячими, чтобы вызвать ожоги.
16. Не допускайте, чтобы обломки, пыль или земля прилипали к контактам, отверстиям и пазам на блоке аккумулятора. Это может привести к снижению эксплуатационных параметров, поломке инструмента или блока аккумулятора.
17. Если инструмент не рассчитан на использование вблизи высоковольтных линий электропередач, не используйте блок аккумулятора вблизи высоковольтных линий электропередач. Это может привести к неисправности, поломке инструмента или блока аккумулятора.
18. Храните аккумулятор в недоступном для детей месте.

СОХРАНИТЕ ДАННЫЕ ИНСТРУКЦИИ.

▲ВНИМАНИЕ: Используйте только фирменные аккумуляторные батареи Makita. Использование аккумуляторных батарей, не произведенных Makita, или батарей, которые были подвергнуты модификациям, может привести к взрыву аккумулятора, пожару, травмам и повреждению имущества. Это также автоматически аннулирует гарантию Makita на инструмент и зарядное устройство Makita.

Советы по обеспечению максимального срока службы аккумулятора

1. Заряжайте блок аккумуляторов перед его полной разрядкой. Обязательно прекратите работу с инструментом и зарядите блок аккумуляторов, если вы заметили снижение мощности инструмента.
2. Никогда не подзаряжайте полностью заряженный блок аккумуляторов. Перезарядка сокращает срок службы аккумулятора.
3. Заряжайте блок аккумуляторов при комнатной температуре в 10 - 40 °C (50 - 104 °F). Перед зарядкой горячего блока аккумуляторов дайте ему остыть.
4. Если блок аккумулятора не используется, извлеките его из инструмента или зарядного устройства.
5. Зарядите ионно-литиевый аккумуляторный блок, если вы не будете пользоваться инструментом длительное время (более шести месяцев).

ОПИСАНИЕ РАБОТЫ

⚠ ВНИМАНИЕ: Перед регулировкой или проверкой функций инструмента обязательно убедитесь, что он выключен и его аккумуляторный блок снят.

Установка или снятие блока аккумулятора

⚠ ВНИМАНИЕ: Обязательно выключайте инструмент перед установкой и извлечением аккумуляторного блока.

⚠ ВНИМАНИЕ: При установке и извлечении аккумуляторного блока крепко удерживайте инструмент и аккумуляторный блок. Если не соблюдать это требование, они могут выскользнуть из рук, что приведет к повреждению инструмента, аккумуляторного блока и травмированию оператора.

► **Рис.1:** 1. Красный индикатор 2. Кнопка 3. Блок аккумулятора

Для снятия аккумуляторного блока нажмите кнопку на лицевой стороне и извлеките блок.

Для установки блока аккумулятора совместите выступ блока аккумулятора с пазом в корпусе и задвиньте его на место. Устанавливайте блок до упора так, чтобы он зафиксировался на месте с небольшим щелчком. Если вы можете видеть красный индикатор на верхней части клавиши, блок аккумулятора не полностью зафиксирован на месте.

⚠ ВНИМАНИЕ: Обязательно устанавливайте блок аккумулятора до конца, чтобы красный индикатор не был виден. В противном случае блок аккумулятора может выпасть из инструмента и нанести травму вам или другим людям.

⚠ ВНИМАНИЕ: Не прилагайте чрезмерных усилий при установке аккумуляторного блока. Если блок не двигается свободно, значит он вставлен неправильно.

Система защиты инструмента/аккумулятора

На инструменте предусмотрена система защиты инструмента/аккумулятора. Она автоматически отключает питание для продления срока службы инструмента и аккумулятора. Инструмент автоматически отключится в указанных далее случаях, влияющих на работу самого инструмента или аккумулятора.

Защита от перегрузки

Эта защита срабатывает в случае слишком высокого потребления тока инструментом в текущем режиме эксплуатации. В этом случае выключите инструмент и прекратите работу, из-за которой произошла перегрузка инструмента. Затем включите инструмент для перезапуска.

Защита от перегрева

Эта защита срабатывает в случае перегрева инструмента или аккумулятора. В этом случае дайте инструменту и аккумулятору остыть перед повторным включением.

Защита от переразрядки

Эта защита срабатывает, когда уровень заряда аккумулятора становится низким. В этой ситуации извлеките аккумулятор из инструмента и зарядите его.

Индикация оставшегося заряда аккумулятора

Только для блоков аккумулятора с индикатором

► **Рис.2:** 1. Индикаторы 2. Кнопка проверки

Нажмите кнопку проверки на аккумуляторном блоке для проверки заряда. Индикаторы загорятся на несколько секунд.

Индикаторы			Уровень заряда
Горит	Выкл.	Мигает	
			от 75 до 100%
			от 50 до 75%
			от 25 до 50%
			от 0 до 25%
			Зарядите аккумуляторную батарею.
			Возможно, аккумуляторная батарея неисправна.

ПРИМЕЧАНИЕ: В зависимости от условий эксплуатации и температуры окружающего воздуха индикация может незначительно отличаться от фактического значения.

ПРИМЕЧАНИЕ: Первая (дальняя левая) индикаторная лампа будет мигать во время работы защитной системы аккумулятора.

Регулировка наклона штанги

Штангу можно повернуть и зафиксировать под любым нужным углом в диапазоне "А" (от -5° до 90°), как показано на рисунке. Отрегулируйте угол, чтобы добиться удобного рабочего положения. Ослабьте стопорный рычаг, подняв его. Поверните штангу в нужное положение и заблокируйте стопорный рычаг, чтобы надежно зафиксировать штангу.

► **Рис.3:** 1. Стопорный рычаг 2. Штанга

Замена штанги

Ленты шириной 6 мм (1/4 дюйма) и 13 мм (1/2 дюйма) можно устанавливать с дополнительными штангами, рассчитанными на ленты соответствующей ширины. Ослабьте винт, которым фиксируется штанга, и замените стандартную штангу на дополнительную, после чего плотно затяните винт.

► Рис.4: 1. Винт 2. Штанга

Переключение

▲ОСТОРОЖНО: Для обеспечения безопасности пользователя этот инструмент оборудован переключателем разблокировки, которая предотвращает непреднамеренное включение инструмента. **ЗАПРЕЩЕНО** использовать инструмент, если он работает при простом нажатии на триггерный переключатель без отпущения переключателя разблокировки. **ПРЕКРАТИТЕ** использование инструмента и передайте его в авторизованный сервисный центр для надлежащего ремонта.

▲ВНИМАНИЕ: Перед установкой блока аккумулятора в инструмент обязательно убедитесь, что триггерный переключатель работает должным образом и возвращается в положение "OFF" (ВЫКЛ.) при отпущении. Эксплуатация инструмента с неисправным переключателем может привести к потере контроля над инструментом и получению тяжелой травмы.

ПРИМЕЧАНИЕ: Не давите сильно на триггерный переключатель, если не был отпущен переключатель разблокировки. Это может привести к поломке переключателя.

ПРИМЕЧАНИЕ: Переключатель разблокировки нельзя отпустить, если штанга повернута более чем на 90°.

Для предотвращения случайного нажатия триггерного переключателя предусмотрен переключатель разблокировки. Нажмите рычаг блокировки (A) со стороны А, чтобы разблокировать триггерный переключатель, и (B) со стороны В, чтобы заблокировать.

► Рис.5: 1. Переключатель разблокировки

Чтобы запустить инструмент, нажмите триггерный переключатель. Отпустите триггерный переключатель для остановки.

Для продолжительной работы нажмите триггерный переключатель, затем нажмите кнопку блокировки. Для остановки инструмента из положения заблокированного переключателя до упора нажмите и отпустите триггерный переключатель.

► Рис.6: 1. Кнопка фиксации 2. Триггерный переключатель

Включение передней лампы

▲ВНИМАНИЕ: Не смотрите непосредственно на свет или источник света.

Направление освещения можно регулировать в три уровня под углом 60°. Нажмите на триггерный переключатель для включения подсветки. Для выключения отпустите переключатель. Лампа гаснет приблизительно через 10 секунд после отпущения триггерного переключателя.

► Рис.7: 1. Лампа

ПРИМЕЧАНИЕ: При перегреве инструмента подсветка мигает в течение одной минуты. В этом случае дайте инструменту остыть, прежде чем продолжить работу.

ПРИМЕЧАНИЕ: Для удаления пыли с линзы лампы используйте сухую ткань. Не допускайте возникновения царапин на линзе лампы, так как это приведет к снижению освещенности.

Диск регулировки скорости

Скорость ленты можно регулировать в диапазоне от 600 м до 1 700 м в минуту (1 970 - 5 600 футов/мин), поворачивая диск регулировки скорости и выбирая номер настройки от 1 до 5.

Для повышения скорости работы поворачивайте диск в направлении цифры 5; для понижения скорости работы – в направлении цифры 1. Выберите правильную скорость для шлифуемой детали.

▲ВНИМАНИЕ: Диск регулировки скорости можно поворачивать только между цифрами, указанными на диске. Не прилагайте чрезмерного усилия, чтобы повернуть диск за пределы этого диапазона, в противном случае регулировка скорости может не работать.

► Рис.8: 1. Диск регулировки скорости

СБОРКА

▲ВНИМАНИЕ: Перед проведением каких-либо работ с инструментом обязательно убедитесь, что инструмент отключен, а блок аккумулятора снят.

Снятие и установка абразивной ленты

Потяните кулачковый рычаг назад, чтобы ослабить натяжение ленты, и снимите ленту.

Чтобы установить ленту, сначала установите ленту с одной стороны на задний шкив, наденьте ленту с другой стороны на передний шкив и переведите кулачковый рычаг в исходное положение.

► Рис.9: 1. Кулачковый рычаг 2. Абразивная лента 3. Задний шкив 4. Передний шкив

Регулировка положения ленты

Убедитесь в том, что лента правильно совмещена со штангой при пробном пуске на низкой скорости. Для центрирования положения ленты используйте барашковый винт. Поверните винт по часовой стрелке, чтобы наклонить штангу вправо, когда смотрите на инструмент с направленной вперед штангой, и против часовой стрелки – чтобы наклонить влево.

► **Рис.10:** 1. Штанга 2. Барашковый винт

Установка боковой ручки

ВНИМАНИЕ: Надежно затяните барашковый винт перед началом работы.

ВНИМАНИЕ: Не допускайте приложения чрезмерной внешней силы к боковой ручке, поскольку это может привести к ослаблению фиксации основания ручки, в результате чего инструмент может упасть и стать причиной повреждения или травмы в указанных далее условиях:

- Сильный удар по боковой ручке по время работы
- Небрежное удержание инструмента одной рукой за боковую ручку
- Удержание инструмента только одной рукой за боковую ручку

Боковая ручка (дополнительная ручка) помогает крепко удерживать инструмент во время работы.

1. Винтите ручку в крепежную гайку в основании ручки.

► **Рис.11:** 1. Ручка 2. Основание ручки 3. Крепежная гайка

2. Ослабьте барашковый винт в основании ручки. Прикрепите основание к цилиндрической части корпуса двигателя, совместив стопорный выступ на основании с неглубоким пазом в поверхности корпуса.

Затяните барашковый винт, чтобы закрепить ручку.

► **Рис.12:** 1. Барашковый винт 2. Корпус двигателя

Подсоединение к пылесосу Makita

ВНИМАНИЕ: Всегда закрывайте колпачок патрубку, когда пылесос не подсоединен к патрубку. Не вставляйте пальцы в патрубок.

ПРИМЕЧАНИЕ: Перед началом эксплуатации прочтите руководство по эксплуатации к пылесосу.

ПРИМЕЧАНИЕ: Для выполнения соединения в зависимости от системы пылесоса могут потребоваться дополнительные передние патрубки 22, соединения или переходники инструментов.

Более чистой шлифовки можно добиться, если подсоединить ленточную шлифовальную машину к пылесосу Makita.

Снимите колпачок патрубку и установите пылесборный патрубок.

Подсоедините шланг пылесоса к пылесборному патрубку.

► **Рис.13:** 1. Пылесборный патрубок 2. Передние патрубки / соединение / переходник 3. Шланг пылесоса 4. Пылесос

ЭКСПЛУАТАЦИЯ

ВНИМАНИЕ: Закрепите обрабатываемую деталь хомутами и т. п., если она смещается во время работы.

ВНИМАНИЕ: Не выполняйте шлифовку воспламеняющихся материалов, например алюминия или магния. Это может привести к пожару, взрыву или опасности получения травм.

ВНИМАНИЕ: Прежде чем включать или выключать инструмент, убедитесь в том, что никакая часть шлифовальной ленты не находится на поверхности обрабатываемой детали. В противном случае это может привести к низкому качеству шлифовки, повреждению ленты или потере контроля над инструментом.

ВНИМАНИЕ: Не допускайте контакта частей тела с вращающимися деталями инструмента во время работы. Всегда контролируйте окружающую обстановку и присутствие посторонних, будьте бдительны в отношении возможных опасностей.

ВНИМАНИЕ: Не пытайтесь удерживать инструмент и эксплуатировать его в перевернутом положении. Это может привести к тяжелому несчастному случаю с телесными повреждениями.

Включите инструмент и подождите, пока он наберет полную скорость. Крепко держите инструмент обеими руками. Аккуратно прижмите инструмент к поверхности обрабатываемой детали и перемещайте его вперед и назад.

► **Рис.14**

► **Рис.15**

Для шлифовки обрабатываемой детали всегда используйте диапазон "С" (между концом плоского башмака и передним шкивом), как показано на рисунке.

Прижимайте ленту к обрабатываемой детали с незначительным усилием. Чрезмерное давление может повредить ленту и сократить срок службы инструмента.

► **Рис.16:** 1. Плоский башмак 2. Передний шкив

ОБСЛУЖИВАНИЕ

ВНИМАНИЕ: Перед проведением проверки или работ по техобслуживанию всегда проверяйте, что инструмент выключен, а блок аккумуляторов снят.

ПРИМЕЧАНИЕ: Запрещается использовать бензин, растворители, спирт и другие подобные жидкости. Это может привести к обесцвечиванию, деформации и трещинам.

Для обеспечения БЕЗОПАСНОСТИ и НАДЕЖНОСТИ оборудования ремонт, любое другое техобслуживание или регулировку необходимо производить в уполномоченных сервис-центрах Makita или сервис-центрах предприятия с использованием только сменных частей производства Makita.

Хранение

⚠ ВНИМАНИЕ: Будьте осторожны, чтобы не защемить пальцы при передвижении штанги. Несоблюдение этого требования может стать причиной травмы.

Штанга может двигаться под углом до 160°. Сложите штангу, чтобы уменьшить необходимое место для хранения.

1. Ослабьте стопорный рычаг, подняв его. Поверните штангу на угол 90°.
2. Нажмите и удерживайте кнопку ползунка и отрегулируйте угол штанги в диапазоне "B" (от 90° до 160°), как показано на рисунке.

► **Рис.17:** 1. Стопорный рычаг 2. Кнопка ползунка
3. Штанга

3. Закрепите стопорный рычаг, чтобы зафиксировать штангу.

► **Рис.18:** 1. Стопорный рычаг 2. Переключатель разблокировки

ПРИМЕЧАНИЕ: Переключатель разблокировки активируется автоматически, если штанга повернута на угол, превышающий 90°.

ДОПОЛНИТЕЛЬНЫЕ ПРИНАДЛЕЖНОСТИ

⚠ ВНИМАНИЕ: Данные принадлежности или приспособления рекомендуются для использования с инструментом Makita, указанным в настоящем руководстве. Использование других принадлежностей или приспособлений может привести к получению травмы. Используйте принадлежность или приспособление только по указанному назначению.

Если вам необходимо содействие в получении дополнительной информации по этим принадлежностям, свяжитесь с вашим сервис-центром Makita.

- Пылесборный патрубок в сборе
- Штанга (6, 9, 13 мм (1/4 дюйма, 3/8 дюйма, 1/2 дюйма))
- Абразивные ленты
- Пылезащитный кожух в комплекте
- Шланг в комплекте 28
- Передние патрубки
- Оригинальный аккумулятор и зарядное устройство Makita

ПРИМЕЧАНИЕ: Некоторые элементы списка могут входить в комплект инструмента в качестве стандартных приспособлений. Они могут отличаться в зависимости от страны.

Makita Europe N.V. Jan-Baptist Vinkstraat 2,
3070 Kortenberg, Belgium

Makita Corporation 3-11-8, Sumiyoshi-cho,
Anjo, Aichi 446-8502 Japan

www.makita.com

885815-965
EN, SL, SQ, BG,
HR, MK, SR, RO,
UK, RU
20200625