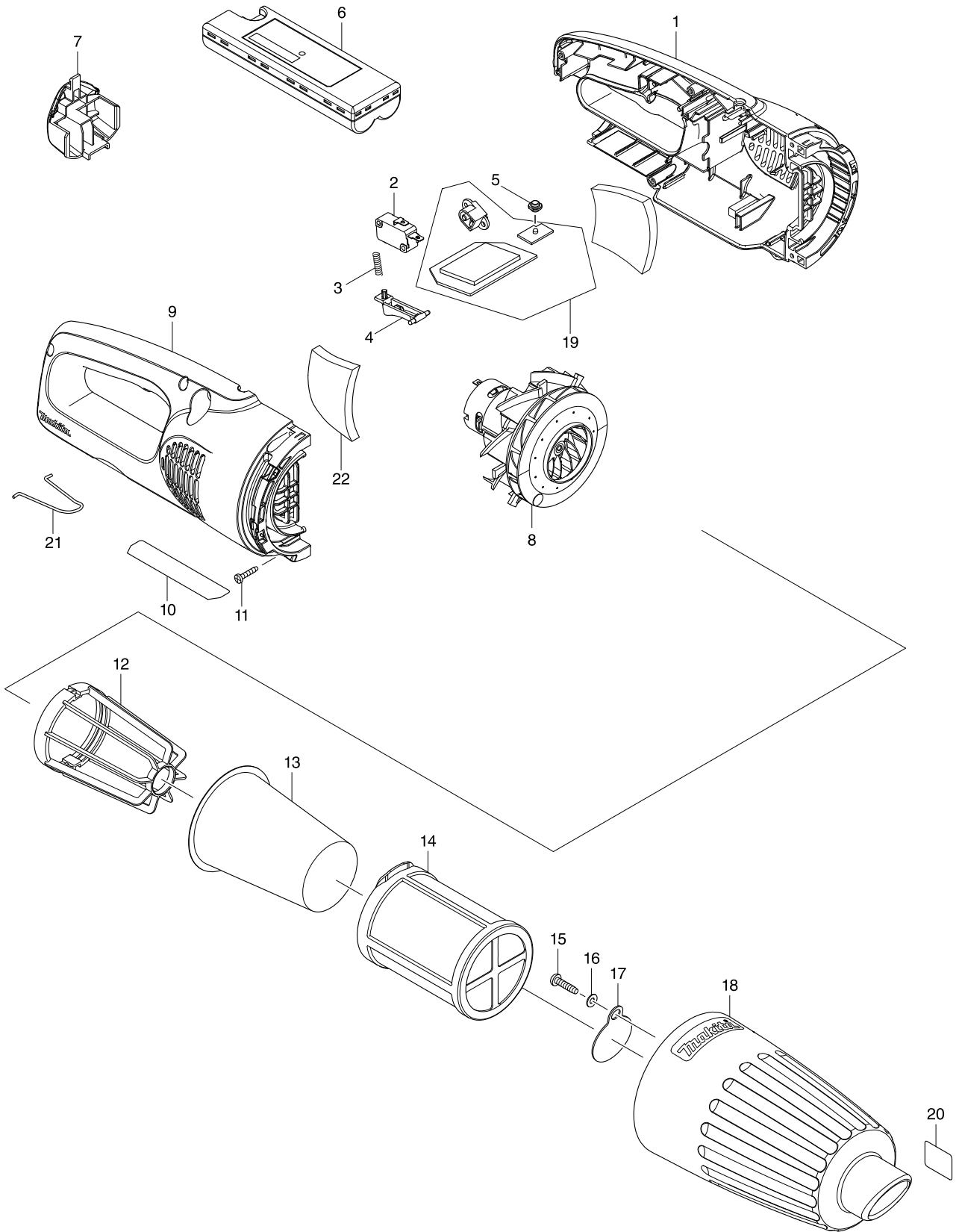


Model No. CL111D CORDLESS CLEANER



Model No. CL111D CORDLESS CLEANER

Item	Parts No.	Description	I/C	Qty	N/O	Opt. 1	Opt. 2	Note
001	183G28-6	HOUSING SET		1				
D10		INC. 9						
002	650744-8	SWITCH D3V-16-3C26		1				
003	231473-8	COMPRESSION SPRING 4		1				
004	451210-6	SWITCH LEVER		1				
005	450522-4	LENS		1				
006	632C23-4	BATTERY		1				
007	455348-9	COVER		1				
008	123997-7	MOTOR ASSEMBLY		1				
009	183G28-6	HOUSING SET		1				
D10		INC. 1						
010	853L55-4	CL111D NAME PLATE		1				
011	266429-2	TAPPING SCREW 3X16		5				
012	410237-5	STAY		1				
013	443060-3	FILTER		1				
014	451208-3	PRE-FILTER		1				
015	265995-6	TAPPING SCREW 4X18		1				
016	941051-3	FLAT WASHER 4		1				
017	424208-6	VALVE		1				
018	457646-7	CAPSULE		1				
019	632K45-2	CONTROLLER UNIT		1				
C10	688161-2	LINE FILTER		1				
020	809293-4	INDICATION LABEL		1				
021	324885-3	HANGER		1				
022	422152-1	SPONGE SHEET 43-58		2				
A01	198522-3	NOZZLE ASSEMBLY SET		1				
A02	416225-0	SASH NOZZLE (RED)		1				
A03	416227-6	SASH NOZZLE HOLDER (RED)		1				
A04	451425-5	PIPE (RED)		1				
A05	***DC1001	DC1001 BATTERY CHARGER SET		1				