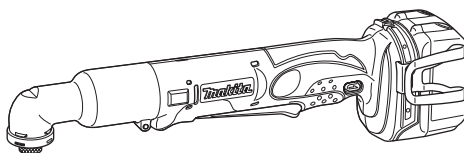




EN	Cordless Angle Impact Driver	INSTRUCTION MANUAL	4
SV	Batteridrivnen vinkelslagskruvdragare	BRUKSANVISNING	9
NO	Batteridrevet vinkelslagskrutrekker	BRUKSANVISNING	14
FI	Akkukäyttöinen kulmaiskuväännin	KÄYTTÖOHJE	19
LV	Bezvada leņķa triecienskrūvgriezis	LIETOŠANAS INSTRUKCIJA	24
LT	Belaidis kampinis smūginis suktuvas	NAUDOJIMO INSTRUKCIJA	29
ET	Juhtmeta nurk-löökkruvikeeraja	KASUTUSJUHEND	34
RU	Аккумуляторный угловой ударный шуруповерт	РУКОВОДСТВО ПО ЭКСПЛУАТАЦИИ	39

DTL060
DTL061



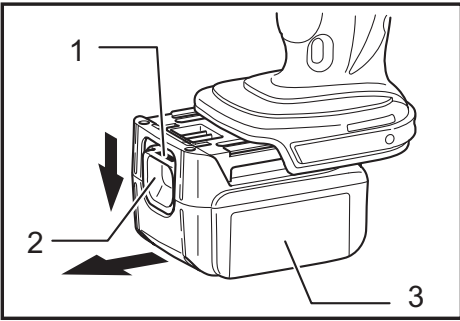


Fig.1

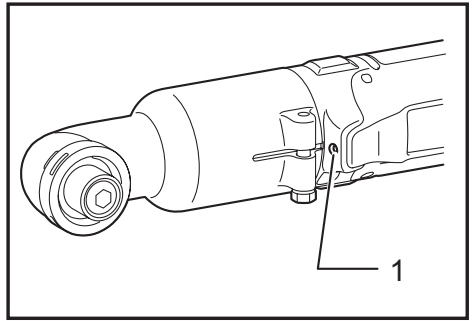


Fig.5

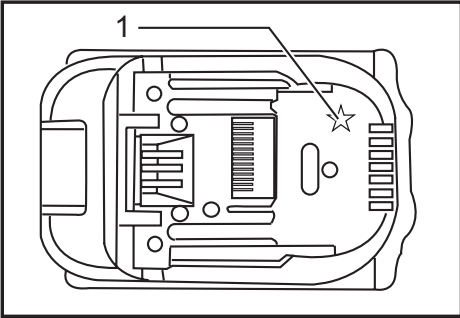


Fig.2

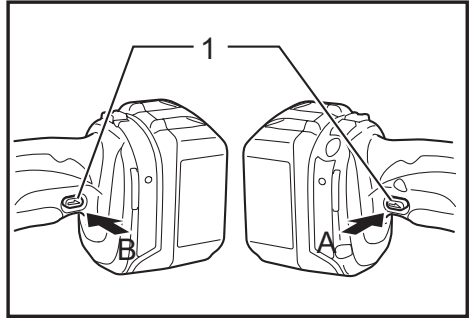


Fig.6

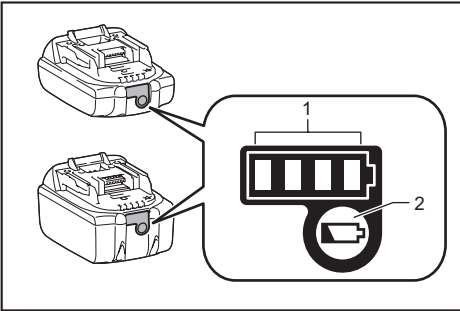


Fig.3

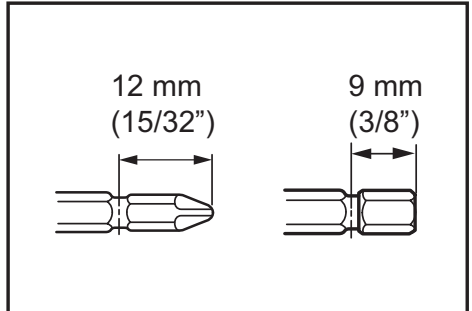


Fig.7

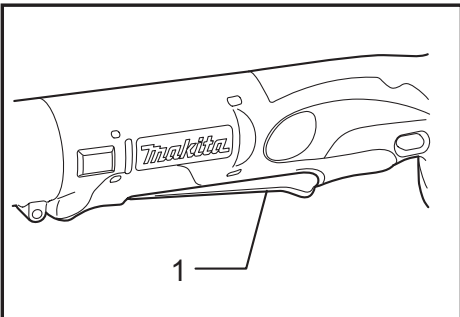


Fig.4

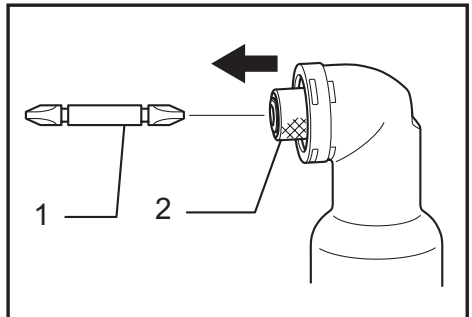


Fig.8

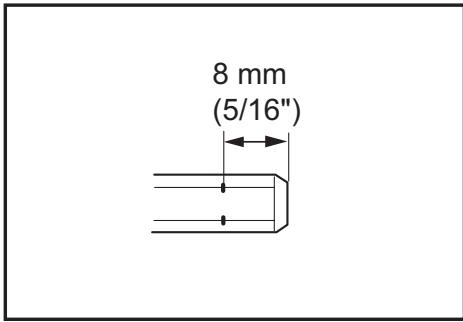


Fig.9

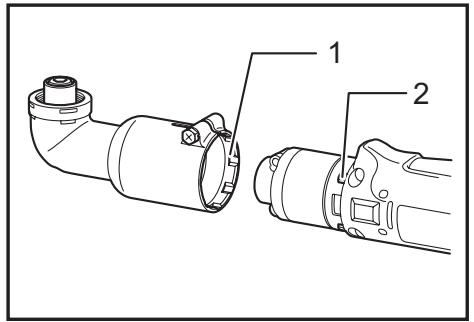


Fig.13

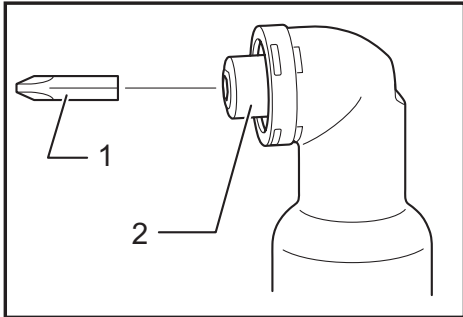


Fig.10

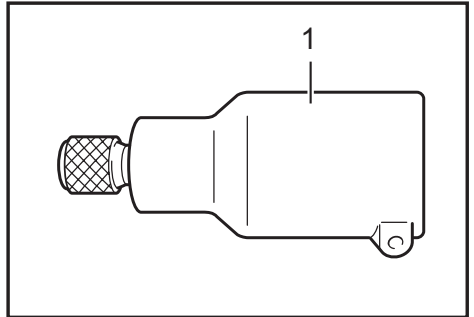


Fig.14

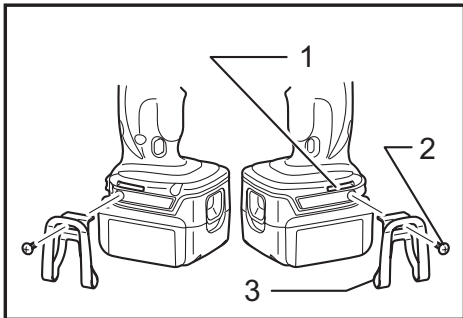


Fig.11

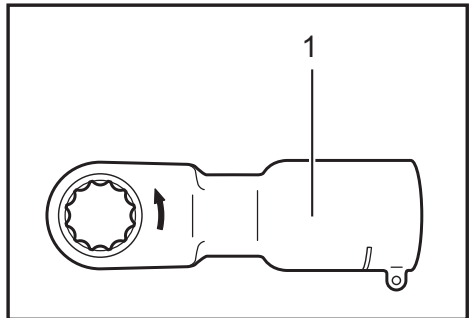


Fig.15

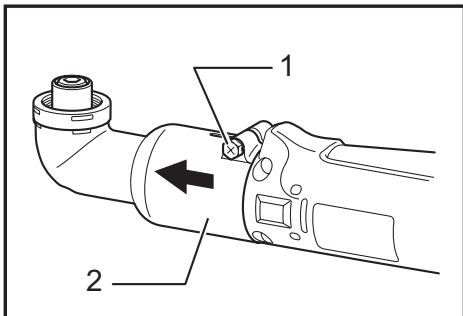


Fig.12

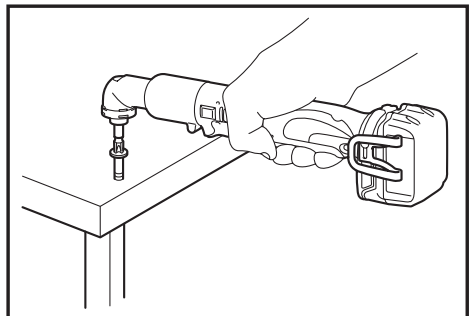


Fig.16

SPECIFICATIONS

Model		DTL060	DTL061
Capacities	Machine screw	4 mm - 8 mm	
	Bolt	4 mm - 12 mm	
No load speed (min ⁻¹)		0 - 2,000	
Impacts per minute		0 - 3,000	
Max. fastening torque		60 N•m	
Overall length		387 mm	
Net weight		1.4 - 1.8 kg	1.4 - 2.0 kg
Rated voltage		D.C. 14.4 V	D.C. 18 V

- Due to our continuing program of research and development, the specifications herein are subject to change without notice.
- Specifications may differ from country to country.
- The weight may differ depending on the attachment(s), including the battery cartridge. The lightest and heaviest combination, according to EPTA-Procedure 01/2014, are shown in the table.

Applicable battery cartridge and charger

Battery cartridge	D.C. 14.4 V Model	BL1415N / BL1430 / BL1430B / BL1440 / BL1450 / BL1460B
	D.C. 18 V Model	BL1815N / BL1820 / BL1820B / BL1830 / BL1830B / BL1840 / BL1840B / BL1850 / BL1850B / BL1860B
Charger		DC18RC / DC18RD / DC18RE / DC18SD / DC18SE / DC18SF

- Some of the battery cartridges and chargers listed above may not be available depending on your region of residence.

⚠WARNING: Only use the battery cartridges and chargers listed above. Use of any other battery cartridges and chargers may cause injury and/or fire.

Intended use

The tool is intended for screw driving in wood, metal and plastic.

Noise

The typical A-weighted noise level determined according to EN62841:

Sound pressure level (L_{pA}) : 91 dB (A)

Sound power level (L_{WA}) : 102 dB (A)

Uncertainty (K) : 3 dB (A)

NOTE: The declared noise emission value(s) has been measured in accordance with a standard test method and may be used for comparing one tool with another.

NOTE: The declared noise emission value(s) may also be used in a preliminary assessment of exposure.

⚠WARNING: Wear ear protection.

⚠WARNING: The noise emission during actual use of the power tool can differ from the declared value(s) depending on the ways in which the tool is used especially what kind of workpiece is processed.

⚠WARNING: Be sure to identify safety measures to protect the operator that are based on an estimation of exposure in the actual conditions of use (taking account of all parts of the operating cycle such as the times when the tool is switched off and when it is running idle in addition to the trigger time).

Vibration

The vibration total value (tri-axial vector sum) determined according to EN62841:

Model DTL060

Work mode : impact tightening of fasteners of the maximum capacity of the tool

Vibration emission (a_h) : 9.5 m/s²

Uncertainty (K) : 1.5 m/s²

Model DTL061

Work mode : impact tightening of fasteners of the maximum capacity of the tool

Vibration emission (a_h) : 17.5 m/s²

Uncertainty (K) : 1.5 m/s²

NOTE: The declared vibration total value(s) has been measured in accordance with a standard test method and may be used for comparing one tool with another.

NOTE: The declared vibration total value(s) may also be used in a preliminary assessment of exposure.

⚠WARNING: The vibration emission during actual use of the power tool can differ from the declared value(s) depending on the ways in which the tool is used especially what kind of workpiece is processed.

⚠WARNING: Be sure to identify safety measures to protect the operator that are based on an estimation of exposure in the actual conditions of use (taking account of all parts of the operating cycle such as the times when the tool is switched off and when it is running idle in addition to the trigger time).

EC Declaration of Conformity

For European countries only

The EC declaration of conformity is included as Annex A to this instruction manual.

General power tool safety warnings

⚠ WARNING: Read all safety warnings, instructions, illustrations and specifications provided with this power tool. Failure to follow all instructions listed below may result in electric shock, fire and/or serious injury.

Save all warnings and instructions for future reference.

The term "power tool" in the warnings refers to your mains-operated (corded) power tool or battery-operated (cordless) power tool.

Cordless impact driver safety warnings

1. **Hold the power tool by insulated gripping surfaces, when performing an operation where the fastener may contact hidden wiring.** Fasteners contacting a "live" wire may make exposed metal parts of the power tool "live" and could give the operator an electric shock.
2. **Always be sure you have a firm footing. Be sure no one is below when using the tool in high locations.**
3. **Hold the tool firmly.**
4. **Wear ear protectors.**
5. **Do not touch the bit or the workpiece immediately after operation. They may be extremely hot and could burn your skin.**
6. **Keep hands away from rotating parts.**
7. **Use auxiliary handle(s), if supplied with the tool.** Loss of control can cause personal injury.
8. **Hold the power tool by insulated gripping surfaces, when performing an operation where the cutting accessory may contact hidden wiring.** Cutting accessory contacting a "live" wire may make exposed metal parts of the power tool "live" and could give the operator an electric shock.

SAVE THESE INSTRUCTIONS.

⚠ WARNING: DO NOT let comfort or familiarity with product (gained from repeated use) replace strict adherence to safety rules for the subject product.

MISUSE or failure to follow the safety rules stated in this instruction manual may cause serious personal injury.

Important safety instructions for battery cartridge

1. **Before using battery cartridge, read all instructions and cautionary markings on (1) battery charger, (2) battery, and (3) product using battery.**
2. **Do not disassemble battery cartridge.**
3. **If operating time has become excessively shorter, stop operating immediately. It may result in a risk of overheating, possible burns and even an explosion.**
4. **If electrolyte gets into your eyes, rinse them out with clear water and seek medical attention right away. It may result in loss of your eyesight.**
5. **Do not short the battery cartridge:**
 - (1) **Do not touch the terminals with any conductive material.**
 - (2) **Avoid storing battery cartridge in a container with other metal objects such as nails, coins, etc.**
 - (3) **Do not expose battery cartridge to water or rain.**

A battery short can cause a large current flow, overheating, possible burns and even a breakdown.

6. **Do not store the tool and battery cartridge in locations where the temperature may reach or exceed 50 °C (122 °F).**
7. **Do not incinerate the battery cartridge even if it is severely damaged or is completely worn out. The battery cartridge can explode in a fire.**
8. **Be careful not to drop or strike battery.**
9. **Do not use a damaged battery.**
10. **The contained lithium-ion batteries are subject to the Dangerous Goods Legislation requirements.** For commercial transports e.g. by third parties, forwarding agents, special requirement on packaging and labeling must be observed. For preparation of the item being shipped, consulting an expert for hazardous material is required. Please also observe possibly more detailed national regulations. Tape or mask off open contacts and pack up the battery in such a manner that it cannot move around in the packaging.
11. **When disposing of the battery cartridge, remove it from the tool and dispose of it in a safe place. Follow your local regulations relating to disposal of battery.**
12. **Use the batteries only with the products specified by Makita.** Installing the batteries to non-compliant products may result in a fire, excessive heat, explosion, or leak of electrolyte.
13. **If the tool is not used for a long period of time, the battery must be removed from the tool.**

SAVE THESE INSTRUCTIONS.

⚠ CAUTION: Only use genuine Makita batteries. Use of non-genuine Makita batteries, or batteries that have been altered, may result in the battery bursting causing fires, personal injury and damage. It will also void the Makita warranty for the Makita tool and charger.

Tips for maintaining maximum battery life

1. Charge the battery cartridge before completely discharged. Always stop tool operation and charge the battery cartridge when you notice less tool power.
2. Never recharge a fully charged battery cartridge. Overcharging shortens the battery service life.
3. Charge the battery cartridge with room temperature at 10 °C - 40 °C (50 °F - 104 °F). Let a hot battery cartridge cool down before charging it.
4. Charge the battery cartridge if you do not use it for a long period (more than six months).

FUNCTIONAL DESCRIPTION

⚠ CAUTION:

- Always be sure that the tool is switched off and the battery cartridge is removed before adjusting or checking function on the tool.

Installing or removing battery cartridge

► Fig.1: 1. Red indicator 2. Button 3. Battery cartridge

- Always switch off the tool before installing or removing of the battery cartridge.
- To remove the battery cartridge, slide it from the tool while sliding the button on the front of the cartridge.
- To install the battery cartridge, align the tongue on the battery cartridge with the groove in the housing and slip it into place. Always insert it all the way until it locks in place with a little click. If you can see the red indicator on the upper side of the button, it is not locked completely. Install it fully until the red indicator cannot be seen. If not, it may accidentally fall out of the tool, causing injury to you or someone around you.
- Do not use force when installing the battery cartridge. If the cartridge does not slide in easily, it is not being inserted correctly.

Battery protection system (Lithium-ion battery with star marking)

► Fig.2: 1. Star marking

Lithium-ion batteries with a star marking are equipped with a protection system. This system automatically cuts off power to the tool to extend battery life.

The tool will automatically stop during operation if the tool and/or battery are placed under one of the following conditions:











- **Overloaded:**
The tool is operated in a manner that causes it to draw an abnormally high current. In this situation, release the trigger switch on the tool and stop the application that caused the tool to become overloaded. Then pull the trigger switch again to restart. If the tool does not start, the battery is overheated. In this situation, let the battery cool before pulling the trigger switch again.
- **Low battery voltage:**
The remaining battery capacity is too low and the tool will not operate. In this situation, remove and recharge the battery.

Indicating the remaining battery capacity

Only for battery cartridges with the indicator

► Fig.3: 1. Indicator lamps 2. Check button

Press the check button on the battery cartridge to indicate the remaining battery capacity. The indicator lamps light up for a few seconds.

Indicator lamps			Remaining capacity
 Lighted	 Off	 Blinking	
			75% to 100%
			50% to 75%
			25% to 50%
			0% to 25%
			Charge the battery.
			The battery may have malfunctioned.
			

NOTE: Depending on the conditions of use and the ambient temperature, the indication may differ slightly from the actual capacity.

Switch action

⚠ CAUTION:

- Before inserting the battery cartridge into the tool, always check to see that the switch trigger actuates properly and returns to the "OFF" position when released.

► Fig.4: 1. Switch lever

To start the tool, simply pull the switch trigger. Tool speed is increased by increasing pressure on the switch trigger. Release the switch trigger to stop.

Lighting up the front lamp

⚠ CAUTION:

- Do not look in the light or see the source of light directly.

► Fig.5: 1. Lamp

Pull the switch trigger to light up the lamp. The lamp keeps on lighting while the switch trigger is being pulled. The light automatically goes out 10 - 15 seconds after the switch trigger is released.

NOTE:

- Use a dry cloth to wipe the dirt off the lens of lamp. Be careful not to scratch the lens of lamp, or it may lower the illumination.

Reversing switch action

► Fig.6: 1. Reversing switch lever

This tool has a reversing switch to change the direction of rotation. Depress the reversing switch lever from the A side for clockwise rotation or from the B side for counterclockwise rotation.

When the reversing switch lever is in the neutral position, the switch trigger cannot be pulled.

⚠CAUTION:

- Always check the direction of rotation before operation.
- Use the reversing switch only after the tool comes to a complete stop. Changing the direction of rotation before the tool stops may damage the tool.
- When not operating the tool, always set the reversing switch lever to the neutral position.

ASSEMBLY

⚠CAUTION:

- Always be sure that the tool is switched off and the battery cartridge is removed before carrying out any work on the tool.

Installing or removing driver bit

► Fig.7

Use only the driver bit or socket bit shown in the figure. Do not use any other driver bit or socket bit. To install the bit, pull the sleeve in the direction of the arrow and insert the bit into the sleeve as far as it will go. Then release the sleeve to secure the bit.

► Fig.8: 1. Bit 2. Sleeve

For tool without sleeve to retain the bit

► Fig.9

Use only the driver bit or socket bit shown in the figure. Do not use any other driver bit or socket bit. Use insert bits shown in the figure. To install the bit, just insert it into the spindle.

► Fig.10: 1. Insert bit 2. Spindle

NOTE:

- If the bit is not inserted deep enough into the sleeve, the sleeve will not return to its original position and the bit will not be secured. In this case, try re-inserting the bit according to the instructions above.

Hook (Accessory)

⚠CAUTION:

- When installing the hook, tighten the screw firmly. Failure to do so may cause the breakage of the tool or personal injury.

► Fig.11: 1. Groove 2. Screw 3. Hook

The hook is convenient for temporarily hanging the tool. This can be installed on either side of the tool.

To install the hook, insert it into a groove in the tool housing on either side and then secure it with a screw. To remove, loosen the screw and then take it out.

Adjusting the angle head

The angle head can be adjusted 360°(8 positions in 45-degree increments). To adjust it, loosen the hex bolt and remove the angle head.

Adjust the angle head to the desired position and reinstall it so that the teeth on the housing will match up with the grooves in the angle head. Then tighten the hex bolt to secure the angle head.

► Fig.12: 1. Hex bolt 2. Angle head

► Fig.13: 1. Groove 2. Tooth

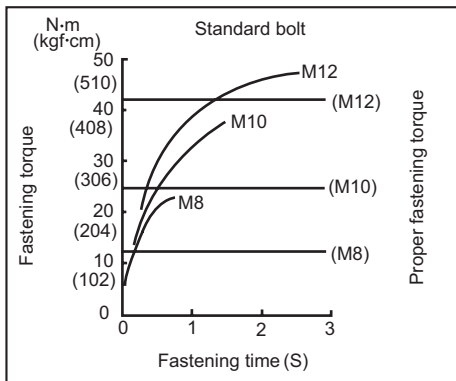
Straight head and ratchet head (Accessory)

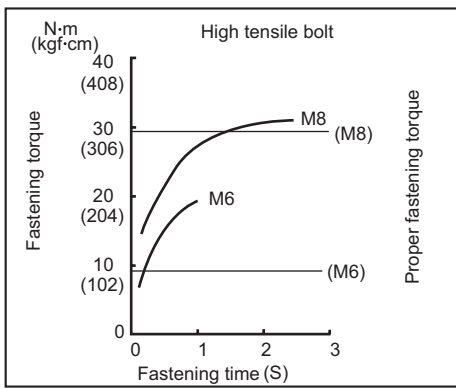
Straight heads and ratchet heads are available as optional accessories for various applications on the job.

► Fig.14: 1. Straight head

► Fig.15: 1. Ratchet head

OPERATION





The proper fastening torque may differ depending upon the kind or size of the screw/bolt, the material of the workpiece to be fastened, etc. Before starting your job, always perform a test operation to determine the proper fastening time for your screw.

► Fig.16

NOTE:

- Use the proper bit for the head of the screw/bolt that you wish to use.
- Hold the tool pointed straight at the screw.
- If the tool is operated continuously until the battery cartridge has discharged, allow the tool to rest for 15 minutes before proceeding with a fresh battery.

The fastening torque is affected by a wide variety of factors including the following. After fastening, always check the torque with a torque wrench.

1. When the battery cartridge is discharged almost completely, voltage will drop and the fastening torque will be reduced.
2. Driver bit or socket bit
Failure to use the correct size driver bit or socket bit will cause a reduction in the fastening torque.
3. Bolt
 - Even though the torque coefficient and the class of bolt are the same, the proper fastening torque will differ according to the diameter of bolt.
 - Even though the diameters of bolts are the same, the proper fastening torque will differ according to the torque coefficient, the class of bolt and the bolt length.
4. The manner of holding the tool or the material of driving position to be fastened will affect the torque.
5. Operating the tool at low speed will cause a reduction in the fastening torque.

MAINTENANCE

⚠ CAUTION:

- Always be sure that the tool is switched off and the battery cartridge is removed before attempting to perform inspection or maintenance.
- Never use gasoline, benzine, thinner, alcohol or the like. Discoloration, deformation or cracks may result.

To maintain product SAFETY and RELIABILITY, repairs, any other maintenance or adjustment should be performed by Makita Authorized Service Centers, always using Makita replacement parts.

OPTIONAL ACCESSORIES

⚠ CAUTION:

- These accessories or attachments are recommended for use with your Makita tool specified in this manual. The use of any other accessories or attachments might present a risk of injury to persons. Only use accessory or attachment for its stated purpose.

If you need any assistance for more details regarding these accessories, ask your local Makita Service Center.

- Phillips bit
- Bit piece
- Straight head
- Ratchet head
- Socket
- Socket adapter
- Various type of Makita genuine batteries and chargers

NOTE:

- Some items in the list may be included in the tool package as standard accessories. They may differ from country to country.

SPECIFIKATIONER

Modell		DTL060	DTL061
Kapacitet	Maskinskruv	4 mm - 8 mm	
	Bult	4 mm - 12 mm	
Obelastat varvtal (min ⁻¹)		0 - 2 000	
Slag per minut		0 - 3 000	
Max. åtdragningsmoment		60 N•m	
Längd		387 mm	
Vikt		1,4 - 1,8 kg	1,4 - 2,0 kg
Märkspänning		14,4 V likström	18 V likström

- På grund av vårt pågående program för forskning och utveckling kan dessa specifikationer ändras utan föregående meddelande.
- Specifikationer kan variera mellan olika länder.
- Vikten kan variera beroende på tillbehören, inklusive batterikassett. Den lättaste och den tyngsta kombinationen enligt EPTA-procedur 01/2014 visas i tabellen.

Tillgänglig batterikassett och laddare

Batterikassett	14,4 V likströmsmodell	BL1415N / BL1430 / BL1430B / BL1440 / BL1450 / BL1460B
	18 V likströmsmodell	BL1815N / BL1820 / BL1820B / BL1830 / BL1830B / BL1840 / BL1840B / BL1850 / BL1850B / BL1860B
Laddare		DC18RC / DC18RD / DC18RE / DC18SD / DC18SE / DC18SF

- Vissa av batterikassetterna och laddarna på listan ovan kanske inte finns tillgängliga i din region.

⚠ VARNING: Använd endast batterikassetter och laddare från listan ovan. Användning av andra batterikassetter och laddare kan orsaka personskada och/eller brand.

Användningsområde

Verktyget är avsett för skruvdragning i trä, metall och plast.

Buller

Typiska A-vägda bullernivån är mätt enligt EN62841:

Ljudtrycksnivå (L_{pA}): 91 dB (A)

Ljudeffektnivå (L_{WA}): 102 dB (A)

Måttolerans (K): 3 dB (A)

OBS: Det deklarerade bullervärdet har uppmätts i enlighet med standardtestmetoden och kan användas för jämförandet av en maskin med en annan.

OBS: Det deklarerade bulleremissionsvärdet kan också användas i en preliminär bedömning av exponering för vibration.

⚠ VARNING: Använd hörselskydd.

⚠ VARNING: Bulleremissionen under faktisk användning av maskinen kan skilja sig från det deklarerade värdet, beroende på hur maskinen används och särskilt vilken typ av arbetsstycke som behandlas.

⚠ VARNING: Var noga med att identifiera säkerhetsåtgärder för att skydda användaren, vilka är grundade på en uppskattning av graden av exponering för vibrationer under de faktiska användningsförhållandena, (ta, förutom avtryckartiden, med alla delar av användarcykeln i beräkningen, som till exempel tiden då maskinen är avstängd och när den går på tomgång).

Vibration

Vibrationens totalvärde (tre-axlars vektorsumma) mätt enligt EN62841:

Modell DTL060

Arbetsläge: maskinens maximala moment för slagåtdragning

Vibrationsemission (a_h): 9,5 m/s²

Måttolerans (K): 1,5 m/s²

Modell DTL061

Arbetsläge: maskinens maximala moment för slagåtdragning

Vibrationsemission (a_h): 17,5 m/s²

Måttolerans (K): 1,5 m/s²

OBS: Det deklarerade totala vibrationsvärdet har uppmätts i enlighet med standardtestmetoden och kan användas för jämförandet av en maskin med en annan.

OBS: Det deklarerade totala vibrationsvärdet kan också användas i en preliminär bedömning av exponering för vibration.

⚠ VARNING: Vibrationsemissionen under faktisk användning av maskinen kan skilja sig från det deklarerade värdet, beroende på hur maskinen används och särskilt vilken typ av arbetsstycke som behandlas.

⚠ VARNING: Var noga med att identifiera säkerhetsåtgärder för att skydda användaren, vilka är grundade på en uppskattning av graden av exponering för vibrationer under de faktiska användningsförhållandena, (ta, förutom avtryckartiden, med alla delar av användarcykeln i beräkningen, som till exempel tiden då maskinen är avstängd och när den går på tomgång).

EG-försäkringen om överensstämmelse

Gäller endast inom EU

EG-försäkringen om överensstämmelse inkluderas som bilaga A till denna bruksanvisning.

Allmänna säkerhetsvarningar för maskiner

⚠ VARNING: Läs alla säkerhetsvarningar, anvisningar, illustrationer och specifikationer som medföljer det här maskinen. Underlåtenhet att följa instruktionerna kan leda till elstöt, brand och/eller allvarliga personskador.

Spara alla varningar och instruktioner för framtida referens.

Termen "maskin" som anges i varningarna hänvisar till din eldrivna maskin (sladdanslutet) eller batteridrivna maskin (sladdlös).

Säkerhetsvarningar för batteridrivna slagskruvdragare

1. Håll maskinen i de isolerade handtagen om det finns risk för att skruvdragaren kan komma i kontakt med en dold elkabel. Skruvdragare som kommer i kontakt med en "strömförande" kabel kan få sina blottlagda metalldelar "strömförande", vilket kan ge användaren en elektrisk stöt.
2. Se till att alltid ha ordentligt fotfäste. Se till att ingen står under dig när maskinen används på hög höjd.
3. Håll stadigt i maskinen.
4. Använd hörselskydd.
5. Rör inte bits eller arbetsstycket direkt efter arbetet. De kan vara extremt varma och kan orsaka brännskador.
6. Håll händerna på avstånd från roterande delar.
7. Använd extrahandtag om det levereras med maskinen. Om du förlorar kontrollen över maskinen kan det leda till personskador.
8. Håll maskinen i de isolerade handtagen om det finns risk för att skärverktyget kan komma i kontakt med en dold elkabel. Om skärverktyget kommer i kontakt med en "strömförande" ledning blir maskinens blottlagda metalldelar "strömförande" och kan ge operatören en elektrisk stöt.

SPARA DESSA ANVISNINGAR.

⚠ VARNING: GLÖM INTE att också fortsättningsvis strikt följa säkerhetsanvisningarna för maskinen även efter att du blivit van att använda den.

Vid FELAKTIG HANTERING av maskinen eller om inte säkerhetsanvisningarna i denna bruksanvisning följs kan följden bli allvarliga personskador.

Viktiga säkerhetsanvisningar för batterikassetten

1. Innan batterikassetten används ska alla instruktioner och varningsmärken på (1) batteriladdaren, (2) batteriet och (3) produkten läsas.
2. Montera inte isär batterikassetten.
3. Om drifttiden blivit avsevärt kortare ska användningen avbrytas omedelbart. Det kan uppstå överhettning, brännskador och t o m en explosion.
4. Om du får elektrolyt i ögonen ska de sköljas med rent vatten och läkare uppsöks omedelbart. Det finns risk för att synen förloras.
5. Kortslut inte batterikassetten.
 - (1) Rör inte vid polerna med något strömförande material.
 - (2) Undvik att förvara batterikassetten tillsammans med andra metallobjekt som t.ex. spikar, mynt o.s.v.
 - (3) Skydda batteriet mot vatten och regn. En batterikortslutning kan orsaka ett stort strömflöde, överhettning, brand och maskinhaveri.
6. Förvara inte maskinen och batterikassetten på platser där temperaturen kan nå eller överstiga 50 °C.
7. Bränn inte upp batterikassetten även om den är svårt skadad eller helt utsliten. Batterikassetten kan explodera i öppen eld.
8. Var försiktig så att du inte råkar tappa batteriet och utsätt det inte för stötar.
9. Använd inte ett skadat batteri.
10. De medföljande litiumjonbatterierna är föremål för kraven i gällande lagstiftning för farligt gods. För kommersiella transporter (av t.ex. tredje parter som speditorsfirmor) måste de särskilda transportkrav som anges på emballaget och etiketter iakttagas. För att förbereda den produkt som ska avsändas krävs att du konsulterar en expert på riskmaterial. Var också uppmärksam på att det i ditt land kan finnas ytterligare föreskrifter att följa. Tejpa över eller maskera blottade kontakter och packa batteriet på sådant sätt att det inte kan röra sig fritt i förpackningen.
11. När batterikassetten ska kasseras måste den tas bort från maskinen och kasseras på ett säkert sätt. Följ lokala föreskrifter beträffande avfallshantering av batteriet.
12. Använd endast batterierna med de produkter som specificerats av Makita. Att använda batterierna med ej godkända produkter kan leda till brand, överdriven värme, explosion eller utläckande elektrolyt.
13. Om maskinen inte används under en lång tid måste batteriet tas bort från maskinen.

SPARA DESSA ANVISNINGAR.

⚠ FÖRSIKTIGT: Använda endast äkta Makita-batterier. Användning av oäkta Makita-batterier eller batterier som har manipulerats kan leda till person- och utrustningsskador eller till att batteriet fattar eld. Det upphäver också Makitas garanti för verktyget och laddaren.

Tips för att uppnå batteriets maximala livslängd

1. Ladda batterikassetten innan den är helt urladdad. Stanna alltid maskinen och ladda batterikassetten när du märker att maskinen blir svagare.
2. Ladda aldrig en fulladdad batterikassett. Överladdning förkortar batteriets livslängd.
3. Ladda batterikassetten vid en rumstemperatur på 10 °C - 40 °C. Låt en varm batterikassett svalna innan den laddas.
4. Ladda batterikassetten om du inte har använt den på länge (mer än sex månader).

FUNKTIONSBESKRIVNING

⚠ FÖRSIKTIGT:

- Se alltid till att maskinen är avstängd och batterikassetten borttagen innan du justerar eller kontrollerar maskinens funktioner.

Montera eller demontera batterikassetten

- **Fig.1:** 1. Röd indikator 2. Knapp 3. Batterikassett
- Stäng alltid av maskinen innan du monterar eller tar bort batterikassetten.
 - Ta bort batterikassetten genom att skjuta ner knappen på kassetten framsida samtidigt som du drar ut batterikassetten.
 - Montera batterikassetten genom att rikta in tungan på batterikassetten mot spåret i höljet och skjut den på plats. För alltid in batterikassetten hela vägen tills den låser fast med ett klick. Om du kan se den röda indikatorn på knappens ovansida är batterikassetten inte låst ordentligt. Skjut in den helt tills den röda indikatorn inte syns längre. I annat fall kan den oväntat falla ur maskinen och skada dig eller någon annan.
 - Ta inte i för hårt när du monterar batterikassetten. Om kassetten inte lätt glider på plats är den felinsatt.

Batteriskyddssystem (litium-ion-batteri med stjärnmarkering)

- **Fig.2:** 1. Stjärnmarkering

Litium-ion-batterier med en stjärnmarkering är utrustade med ett skyddssystem. Detta system bryter automatiskt strömmen till maskinen för att förlänga batteriets livslängd. Maskinen stanna automatiskt under användningen om maskinen och/eller batteriet hamnar i en av följande situationer:

- **Överbelastad:**
Maskinen används på ett sätt som orsakar att den förbrukar onormalt mycket ström. I detta läge ska du släppa avtryckaren på maskinen och stoppa handlingen som orsakar maskinen att bli överbelastad. Tryck sedan in avtryckaren igen för att starta om. Om maskinen inte startar är batteriet överhettat. I detta läge ska du låta batteriet svalna innan du trycker in avtryckaren igen.
- **Batterispänningen faller:**
Den kvarvarande batterikapaciteten är för låg och maskinen fungerar inte. I detta läge tar du bort batteriet och laddar det.

Indikerar kvarvarande batterikapacitet

Endast för batterikassetter med indikator

- **Fig.3:** 1. Indikatorlampor 2. Kontrollknapp

Tryck på kontrollknappen på batterikassetten för att se kvarvarande batterikapacitet. Indikatorlamporna lyser i ett par sekunder.

Indikatorlampor			Kvarvarande kapacitet
Upplyst	Av	Blinkar	
■ ■ ■ ■			75% till 100%
■ ■ ■ □			50% till 75%
■ ■ □ □			25% till 50%
■ □ □ □			0% till 25%
◻ □ □ □			Ladda batteriet.
■ ■ □ □			Batteriet kan ha skadats.
□ □ ■ ■			

OBS: Beroende på användningsförhållanden och den omgivande temperaturen kan indikationen skilja sig lätt från den faktiska batterikapaciteten.

Avtryckarens funktion

⚠ FÖRSIKTIGT:

- Innan du sätter in batterikassetten i maskinen ska du kontrollera att avtryckaren fungerar och återgår till läget "OFF" när du släpper den.

- **Fig.4:** 1. Avtryckarreglage

Tryck in avtryckaren för att starta maskinen. Hastigheten ökas genom att trycka hårdare på avtryckaren. Släpp avtryckaren för att stoppa den.

Tända frontlampan

⚠ FÖRSIKTIGT:

- Titta inte in i ljuset eller direkt i ljuskällan.

- **Fig.5:** 1. Lampa

Tryck på avtryckaren för att tända lampan. Lampan lyser medan du trycker in avtryckaren. Lampan slocknar automatiskt 10 - 15 sekunder efter att du har släppt avtryckaren.

OBS:

- Använd en torr trasa för att torka bort smuts från lampglasat. Var försiktig så att inte lampglasat repas eftersom ljuset då kan bli svagare.

Reverseringsknappens funktion

► Fig.6: 1. Reverseringsknapp

Denna maskin har en reverseringsknapp för att byta rotationsriktning. Tryck in reverseringsknappen från sidan A för medurs rotation och från sidan B för moturs rotation.

När reverseringsknappen är i neutralt läge fungerar inte avtryckaren.

▲ FÖRSIKTIGT:

- Kontrollera alltid rotationsriktningen före användning.
- Använd endast reverseringsknappen när maskinen stannat helt. Maskinen kan skadas om du byter rotationsriktning medan den fortfarande roterar.
- Placera alltid reverseringsknappen i neutralt läge när du inte använder maskinen.

MONTERING

▲ FÖRSIKTIGT:

- Se alltid till att maskinen är avstängd och batterikassetten borttagen innan du underhåller maskinen.

Montering eller demontering av skruvbits

► Fig.7

Använd endast det skruvbit eller hylsbit som visas i figuren.

Använd inga andra bits.

Montera bitset genom att dra hylsan i pilens riktning och sätt i bitset i hylsan så långt det går. Släpp sedan hylsan för att fästa bitset.

► Fig.8: 1. Bits 2. Hylsa

För verktyg utan hylsa som fäster bitset

► Fig.9

Använd endast det skruvbit eller hylsbit som visas i figuren.

Använd inga andra bits.

Använd den typ av bits som visas i figuren. Sätt bara in bitset i spindeln för att montera det.

► Fig.10: 1. Sätt in bitset 2. Spindel

OBS:

- Om bitset inte är isatt djupt nog i hylsan kommer inte hylsan att gå tillbaka till sitt ursprungliga läge och bitset fästs inte. Försök då att sätta i bitset på nytt enligt instruktionerna ovan.

Krok (tillbehör)

▲ FÖRSIKTIGT:

- När kroken monteras skall skruven dras åt ordentligt. I annat fall kan det leda till att maskinen förstörs eller att någon person skadas.

► Fig.11: 1. Spår 2. Skruv 3. Krok

Kroken kan användas när du vill hänga upp verktyget temporärt. Den kan monteras på endera sidan av maskinen.

För att montera kroken sätter du i den i ett spår i maskinhuset på endera sida och drar fast den med en skruv. Ta bort kroken genom att skruva loss skruven.

Justera vinkelhuvudet

Vinkelhuvudet kan justeras 360° (8 lägen i steg om 45 grader). För att justera det lossas insexskruven och vinkelhuvudet avlägsnas.

Justera vinkelhuvudet till önskat läge och sätt tillbaka det så att tänderna på huset passar med spåren i vinkelhuvudet. Dra sedan åt insexskruven för att fästa vinkelhuvudet.

► Fig.12: 1. Sexkantskruv 2. Vinkelhuvud

► Fig.13: 1. Spår 2. Tand

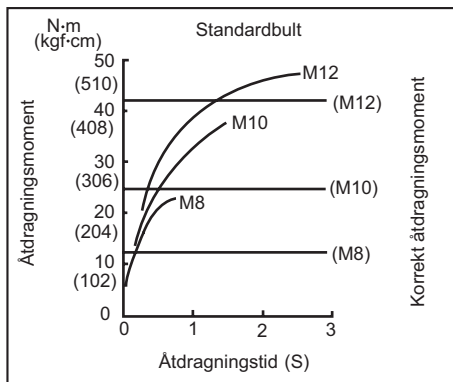
Rakt huvud och spärrhuvud (tillbehör)

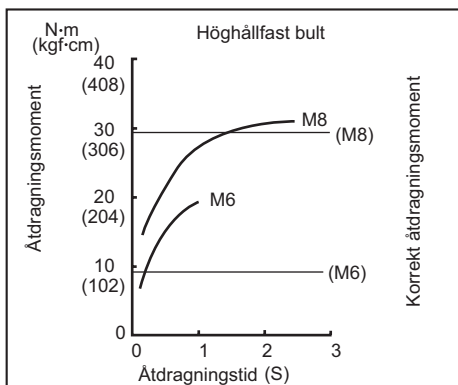
Raka huvuden och spärrhuvuden finns tillgängliga som alternativa tillbehör för olika användningar för arbetet.

► Fig.14: 1. Rakt huvud

► Fig.15: 1. Spärrhuvud

ANVÄNDNING





Det rätta åtdragningsmomentet kan variera beroende på skruvens/bultens typ eller storlek, arbetsstyckets material etc. Innan du påbörjar arbetet skall du alltid utföra en provdragning för att bestämma den rätta åtdragningstiden för ditt arbetsstycke.

► Fig.16

OBS:

- Använd korrekt bits för det skruv-/bulthuvud som du vill använda.
- Håll maskinen så att den pekar rakt på skruven.
- Om maskinen används löpande tills batteriet är tomt bör maskinen vila 15 minuter innan arbetet fortsätter med ett laddat batteri.

Åtdragningsmomentet påverkas av en mängd olika faktorer, bland andra följande. Kontrollera alltid åtdragningen med en momentnyckel efter fastsättningen.

1. När batterikassetten nästan är helt urladdad kommer spänningen att falla och åtdragningsmomentet att minska.
2. Skruvbits eller hylsbits
Åtdragningsmomentet försämras om inte rätt storlek används på skruvbits eller hylsbits.
3. Bult
 - Även om momentkoefficienten och bultklassen är densamma, beror det korrekta åtdragningsmomentet på bultens diameter.
 - Även om bultarnas diameter är samma kommer det korrekta åtdragningsmomentet att skilja sig åt i enlighet med momentkoefficienten, bultklassen och bultens längd.
4. Momentet påverkas även av fästmaterialet eller hur maskinen hålls.
5. Att använda maskinen med låg hastighet minskar åtdragningsmomentet.

UNDERHÅLL

⚠ FÖRSIKTIGT:

- Se alltid till att maskinen är avstängd och batterikassetten borttagen innan inspektion eller underhåll utförs.
- Använd inte bensin, thinner, alkohol eller liknande. Missfärgning, deformation eller sprickor kan uppstå.

För att upprätthålla produktens SÄKERHET och TILLFÖRLITLIGHET bör allt underhålls- och justeringsarbete utföras av ett auktoriserat Makita servicecenter och med reservdelar från Makita.

VALFRIA TILLBEHÖR

⚠ FÖRSIKTIGT:

- Dessa tillbehör och tillsatser rekommenderas för användning tillsammans med den Makita-maskin som denna bruksanvisning avser. Om andra tillbehör eller tillsatser används kan det uppstå risk för personsador. Använd endast tillbehören eller tillsatserna för de syften de är avsedda för.

Kontakta ditt lokala Makita servicecenter om du behöver ytterligare information om dessa tillbehör.

- Phillipsbits
- Bitsfäste
- Rakt huvud
- Spärrhuvud
- Hylsa
- Hylsadapter
- Olika typer av originalbatterier och -laddare från Makita

OBS:

- Några av tillbehören i listan kan vara inkluderade i maskinpaketet som standardtillbehör. De kan variera mellan olika länder.

TEKNISKE DATA

Modell		DTL060	DTL061
Kapasitet	Maskinskrue	4 mm - 8 mm	
	Skrue	4 mm - 12 mm	
Hastighet uten belastning (min ⁻¹)		0 - 2 000	
Slag per minutt		0 - 3 000	
Maks. tiltrekingsmoment		60 N•m	
Total lengde		387 mm	
Nettvekt		1,4 - 1,8 kg	1,4 - 2,0 kg
Merkespenning		DC 14,4 V	DC 18 V

- På grunn av vårt kontinuerlige forsknings- og utviklingsprogram kan spesifikasjonene som oppgis i dette dokumentet endres uten varsel.
- Spesifikasjonene kan variere fra land til land.
- Vekten kan variere avhengig av tilbehøret/tilbehørene, inkludert batteriet. Den letteste og tyngste kombinasjonen, i henhold til EPTA-prosedyre 01/2014, vises i tabellen.

Passende batteri og lader

Batteriinsats	DC 14,4 V modell	BL1415N / BL1430 / BL1430B / BL1440 / BL1450 / BL1460B
	DC 18 V modell	BL1815N / BL1820 / BL1820B / BL1830 / BL1830B / BL1840 / BL1840B / BL1850 / BL1850B / BL1860B
Lader	DC18RC / DC18RD / DC18RE / DC18SD / DC18SE / DC18SF	

- Noen av batteriene og laderne som er opplistet ovenfor er kanskje ikke tilgjengelige, avhengig av hvor du bor.

⚠ ADVARSEL: Bruk kun de batteriene og laderne som er opplistet ovenfor. Bruk av andre batterier og ladere kan føre til personskader og/eller brann.

Beregnet bruk

Maskinen er beregnet til skruing i tre, metall og plast.

Støy

Typisk A-vektet lydtryknivå er bestemt i henhold til EN62841:

- Lydtryknivå (L_{pA}): 91 dB (A)
- Lydeffektnivå (L_{WA}): 102 dB (A)
- Usikkerhet (K): 3 dB (A)

MERK: Den/de oppgitte verdien(e) for genererte vibrasjoner har blitt målt i henhold til standard testmetoder, og kan bli brukt til å sammenligne ett verktøy med et annet.

MERK: Den/de angitte verdien(e) for de genererte vibrasjonene kan også brukes til en foreløpig vurdering av eksponeringen.

⚠ ADVARSEL: Bruk hørselsvern.

⚠ ADVARSEL: De genererte vibrasjonene ved faktisk bruk av elektroverktøyet kan avvike fra den/de angitte vibrasjonsverdien(e), avhengig av hvordan verktøyet brukes.

⚠ ADVARSEL: Sørg for å identifisere vernetiltak for å beskytte operatøren, som er basert på et estimat av eksponeringen under de faktiske bruksforholdene (idet det tas hensyn til alle deler av driftssyklusen, dvs. hvor lenge verktøyet er slått av, hvor lenge det går på tomgang og hvor lenge startbryteren faktisk holdes trykket).

Vibrasjon

Den totale vibrasjonsverdien (triaksial vektorsum) bestemt i henhold til EN62841:

Modell DTL060

Arbeidsmåte: Slagstramming av festemidler med maskinens maksimale kapasitet
 Genererte vibrasjoner (a_w): 9,5 m/s²
 Usikkerhet (K): 1,5 m/s²

Modell DTL061

Arbeidsmåte: Slagstramming av festemidler med maskinens maksimale kapasitet
 Genererte vibrasjoner (a_w): 17,5 m/s²
 Usikkerhet (K): 1,5 m/s²

MERK: Den/de oppgitte verdien(e) for totalt genererte vibrasjoner har blitt målt i henhold til standard testmetoder, og kan bli brukt til å sammenligne ett verktøy med et annet.

MERK: Den/de angitte verdien(e) for totalt genererte vibrasjoner kan også brukes til en foreløpig vurdering av eksponeringen.

⚠ ADVARSEL: De genererte vibrasjonene ved faktisk bruk av elektroverktøyet kan avvike fra den/de angitte vibrasjonsverdien(e), avhengig av hvordan verktøyet brukes og spesielt i forhold til arbeidsstykket som blir behandlet.

⚠ ADVARSEL: Sørg for å identifisere vernetil-tak for å beskytte operatøren, som er basert på et estimat av eksponeringen under de faktiske bruksforholdene (idet det tas hensyn til alle deler av driftssyklusen, dvs. hvor lenge verktøyet er slått av, hvor lenge det går på tomgang og hvor lenge startbryteren faktisk holdes trykket).

EFs samsvarserklæring

Gjelder kun for land i Europa

EFs samsvarserklæring er lagt til som vedlegg A i denne bruksanvisningen.

Generelle advarsler angående sikkerhet for elektroverktøy

⚠ ADVARSEL: Les alle sikkerhetsadvarsler, instruksjoner, illustrasjoner og spesifikasjoner som følger med dette elektroverktøyet. Hvis ikke alle instruksjonene nedenfor følges, kan det fore-komme elektrisk støt, brann og/eller alvorlig skade.

Oppbevar alle advarsler og instruksjoner for senere bruk.

Uttrykket «elektrisk verktøy» i advarslene refererer både til elektriske verktøy (med ledning) tilkoblet strøm-nettet, og batteridrevne verktøy (uten ledning).

Sikkerhetsanvisninger for batteridrevet slagtrekker

1. Hold maskinen i det isolerte håndtaket når festemidlet kan komme i kontakt med skjulte ledninger under arbeidet. Hvis skruer eller bolter kommer i kontakt med en «strømførende» ledning, kan metalldelene på det elektriske verktøyet bli «strømførende» og føre til at brukeren får støt.
2. Pass på at du har godt fotfeste. Forviss deg om at ingen står under deg når du jobber høyt over bakken.
3. Hold godt fast i verktøyet.
4. Bruk hørselsvern.
5. Du må ikke berøre bitset eller arbeidsstykket umiddelbart etter at arbeidet er utført. Disse kan være ekstremt varme og vil kunne forårsake brannskader.
6. Hold hendene unna roterende deler.
7. Bruk hjelpehåndtak, hvis det (de) følger med maskinen. Hvis maskinen kommer ut av kontroll, kan det resultere i helseskader.
8. Hold maskinen i det isolerte håndtaket når skjæ-verktøyet kan komme i kontakt med skjulte ledninger under arbeidet. Hvis kuttetilbehøret kommer i kontakt med «strømførende» ledninger, kan ikke isolerte metalldele i maskinen bli «strømfø-rende» og kunne gi brukeren elektrisk støt.

TA VARE PÅ DISSE INSTRUKSENE.

⚠ ADVARSEL: IKKE LA hensynet til hva som er "behagelig" eller det faktum at du kjenner produktet godt (etter mange gangers bruk) gjøre deg mindre oppmerksom på sikkerhetsreglene for bruken av det aktuelle produktet.

Ved MISBRUK eller hvis ikke sikkerhetsreglene i denne bruksanvisningen følges, kan det oppstå alvorlig personskaade.

Viktige sikkerhetsanvisninger for batteriinnsetts

1. Før du begynner å bruke batteriet, må du lese alle anvisninger og forsiktighetsregler på (1) batteriladeren, (2) batteriet og (3) det produktet batteriet skal brukes i.
2. Ikke ta fra hverandre batteriet.
3. Hvis driftstiden er blitt vesentlig kortere, må du omgående slutte å bruke maskinen. Hvis ikke kan resultatet bli overoppheting, mulige forbrenninger eller til og med en eksplosjon.
4. Hvis du får elektrolytt i øynene, må du skylle dem med store mengder rennende vann og oppsøke lege med én gang. Denne typen uhell kan føre til varig blindhet.
5. Ikke kortslutt batteriet:
 - (1) De kan være ekstremt varme og du kan brenne deg.
 - (2) Ikke lagre batteriet i samme beholder som andre metallgjenstander, som for eksempel spiker, mynter osv.
 - (3) Ikke la batteriet komme i kontakt med vann eller regn.En kortslutning av batteriet kan føre til et kraftig strømstøt, overoppheting, mulige forbrenninger og til og med til at batteriet går i stykker.
6. Ikke lagre maskinen og batteriet på steder hvor temperaturen kan komme opp i eller over-skride 50 °C.
7. Ikke sett fyr på batteriet, ikke engang om det er sterkt skadet eller helt utslitt. Batteriet kan eksplodere hvis det begynner å brenne.
8. Vær forsiktig så du ikke mister batteriet eller utsetter det for slag.
9. Ikke bruk batterier som er skadet.
10. Lithium-ion-batteriene som medfølger er gjen-stand for krav om spesialavfall. For kommersiell transport, f.eks av tredjeparter eller spe-ditører, må spesielle krav om pakking og merking følges. Før varen blir sendt, må du forhøre deg med en ekspert på farlig materiale. Ta også hensyn til mulig-heten for mer detaljerte nasjonale bestemmelser. Bruk teip eller maskeringsteip for å skjule åpne kontakter og pakk inn batteriet på en slik måte at den ikke kan bevege seg rundt i emballasjen.
11. Når du kasserer batteriinnsettsen, må du ta den ut av verktøyet og avhende den på et sikkert sted. Følg lokale bestemmelser for avhending av batterier.
12. Bruk batteriene kun med produkter spesifisert av Makita. Montere batteriene i produkter som ikke er konforme kan føre til brann, overheting eller elektrolyttlekkasje.
13. Hvis verktøyet ikke skal brukes over en lengre periode, må batteriet tas ut av verktøyet.

TA VARE PÅ DISSE INSTRUKSENE.

⚠FORSIKTIG: Bruk kun originale Makita-batterier. Bruk av batterier som har endret seg, eller som ikke er originale Makita-batterier, kan føre til at batteriet sprekker og forårsaker brann, personskader og andre skader. Det vil også ugyldiggjøre garantien for Makita-verktøyet og -laderen.

Tips for å opprettholde maksimal batterilevetid

1. **Lad batteriinnsetsen før den er helt utladet. Stopp alltid driften av verktøyet og lad batteriinnsetsen når du merker at effekten reduseres.**
2. **Lad aldri en batteriinnsets som er fulladet. Overopplading forkorter batteriets levetid.**
3. **Lad batteriet i romtemperatur ved 10 °C - 40 °C. Et varmt batteri må kjøles ned før lading.**
4. **Lad batteriet hvis det ikke har vært brukt på en lang stund (over seks måneder).**

FUNKSJONSBEKRIVELSE

⚠FORSIKTIG:

- Forviss deg alltid om at maskinen er slått av og batteriet tatt ut før du justerer maskinen eller kontrollerer dens mekaniske funksjoner.

Sette inn eller ta ut batteri

► **Fig.1:** 1. Rød indikator 2. Knapp 3. Batteri

- Slå alltid av verktøyet før du setter inn eller fjerner batteriet.
- For å ta ut batteriet må du skyve på knappen foran på batteriet og trekke det ut.
- Når du skal sette inn batteriet, må du plassere tungen på batteriet på linje med sporet i huset og skyve batteriet på plass. Batteriet må alltid skyves helt inn til det går i inngrep med et lite klikk. Hvis du kan se den røde anviseren på oversiden av knappen, er det ikke gått skikkelig i lås. Sett batteriet helt inn, så langt at den røde anviseren ikke lenger er synlig. Hvis dette ikke gjøres, kan batteriet falle ut av maskinen og skade deg eller andre som oppholder seg i nærheten.
- Ikke bruk makt når du setter inn batteriet. Hvis batteriet ikke glir lett inn, er det fordi det ikke settes inn på riktig måte.

Beskyttelsessystem for batteri (litiumionbatteri med stjernemerking)

► **Fig.2:** 1. Stjernemerking

Litiumionbatterier med stjernemerking er utstyrt med et beskyttelsessystem. Dette systemet slår automatisk av strømmen til verktøyet for å forlenge batteriets levetid. Verktøyet stopper automatisk ved drift hvis det og/eller batteriet utsettes for en av følgende tilstander:

- **Overbelastning:**
Verktøyet brukes på en måte som gjør at det trekker uvanlig mye strøm.
I dette tilfellet, slipp verktøyets startbryter og stopp arbeidet som forårsaket at verktøyet ble overbelastet. Dra deretter i startbryteren igjen for å starte på nytt.
Hvis verktøyet ikke starter, er batteriet overbelastet. I dette tilfellet, la batteriet kjøle seg ned før du drar i startbryteren igjen.
- **Lav batterispenning:**
Gjenværende batterikapasitet er for lav, og verktøyet vil ikke fungere. I dette tilfellet, fjern og lad batteriet opp igjen.

Indikere gjenværende batterikapasitet

Kun for batterier med indikatoren

► **Fig.3:** 1. Indikatorlamper 2. Kontrollknapp

Trykk på sjekk-knappen på batteriet for vise gjenværende batterikapasitet. Indikatorlampene lyser i et par sekunder.

Indikatorlamper			Gjenværende batterinivå
Tent	Av	Bliker	
■	□	◐	75 % til 100 %
■	■	□	50 % til 75 %
■	□	□	25 % til 50 %
■	□	□	0 % til 25 %
◐	□	□	Lad batteriet.
■	■	□	Batteriet kan ha en feil.
□	□	■	

MERK: Det angitte nivået kan avvike noe fra den faktiske kapasiteten alt etter bruksforholdene og den omgivende temperaturen.

Bryterfunksjon

⚠FORSIKTIG:

- Før du setter batteriet inn i maskinen, må du alltid kontrollere at startbryteren aktiverer maskinen på riktig måte og går tilbake til "AV"-stilling når den slippes.

► **Fig.4:** 1. Av/på-bryter

For å starte maskinen må du ganske enkelt trykke på startbryteren. Hvis du trykker hardere på startbryteren, økes turtallet på maskinen. Slipp startbryteren for å stoppe maskinen.

Tenne frontlampen

⚠️ FORSIKTIG:

- Ikke se inn i lyset eller se direkte på lyskilden.

► Fig.5: 1. Lampe

Trykk inn startbryteren for å tenne lampen. Lampen fortsetter å lyse så lenge startbryteren holdes inne. Lyset slukkes automatisk 10 -15 sekunder etter at startbryteren er sluppet.

MERK:

- Bruk en tørr klut til å tørke støv osv. av lampelinsen. Vær forsiktig så det ikke blir riper i lampelinsen, da dette kan redusere lysstyrken.

Reverseringsfunksjon

► Fig.6: 1. Revershendel

Dette verktøyet har en reversbryter som kan brukes til å endre rotasjonsretningen. Trykk inn reversbryteren fra "A"-siden for å velge rotasjon med klokken, eller fra "B"-siden for å velge rotasjon mot klokken.

Når reversbryteren er i nøytral stilling, kan ikke startbryteren trykkes inn.

⚠️ FORSIKTIG:

- Før arbeidet begynner, må du alltid kontrollere rotasjonsretningen.
- Bruk reversbryteren bare etter at verktøyet har stoppet helt. Hvis du endrer rotasjonsretningen før verktøyet har stoppet, kan det bli ødelagt.
- Når du ikke skal bruke maskinen lenger, må du alltid sette reversbryteren i nøytral stilling.

MONTERING

⚠️ FORSIKTIG:

- Forviss deg alltid om at maskinen er slått av og batteriet tatt ut før du utfører noe arbeid på maskinen.

Montere eller demontere skrutrekkerbits

► Fig.7

Bruk kun drillbits eller pipe som vist på figuren. Ikke bruk noen annen type skruerbits eller pipe. For å montere bitset, må du dra hylsen i pilretningen og sette bitset så langt inn i hylsen som mulig. Frigjør hylsen for å sikre bitset.

► Fig.8: 1. Bits 2. Mansjett

For verktøy uten hylse til å klemme fast boret

► Fig.9

Bruk kun drillbits eller pipe som vist på figuren. Ikke bruk noen annen type skruerbits eller pipe. Bruk stikkbor som vist i figuren. For å montere boret, setter du det inn i spindelen.

► Fig.10: 1. Sett inn bor 2. Spindel

MERK:

- Hvis bitset ikke settes langt nok inn i hylsen, går ikke hylsen tilbake til utgangsposisjon og bitset sikres ikke. I slike tilfeller må du prøve å sette inn bitset på nytt i henhold til instruksene over.

Krok (tilbehør)

⚠️ FORSIKTIG:

- Når du monterer kroken, må du stramme skruen godt. Hvis dette ikke gjøres, kan det forårsake personskader eller verktøyet kan ødelegges.

► Fig.11: 1. Spor 2. Skruer 3. Bøyle

Kroken er praktisk for å henge opp verktøyet med for kortere tid. Den kan monteres på begge sider av verktøyet.

For å montere kroken, må du sette den inn i sporet på en av sidene av verktøyhuset og feste den med en skruer. Ta den av igjen ved å løsne skruen.

Justere vinkelhodet

Vinkelhodet kan justeres 360° (8 posisjoner i 45-graders trinn). For å justere den, må du løsne sekskantskruen og demontere vinkelhodet.

Juster vinkelhodet til ønsket posisjon og monter det slik at tennene på huset passer inn i sporene i vinkelhodet. Stram sekskantskruen for å sikre vinkelhodet.

► Fig.12: 1. Sekskantskrue 2. Vinkelhode

► Fig.13: 1. Spor 2. Tann

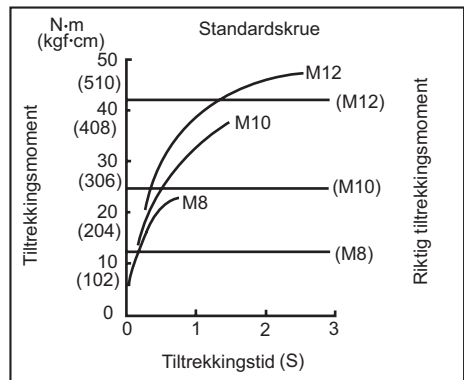
Rettt hode og skrallehode (tilbehør)

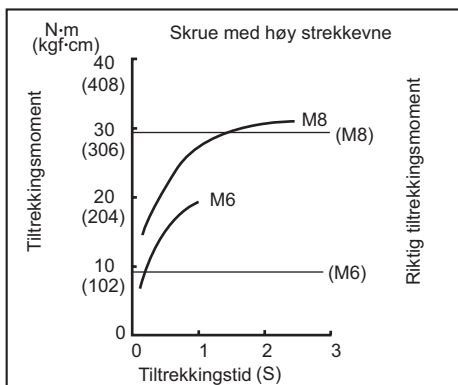
Rette hoder og skrallehoder leveres som valgfritt tilbehør for forskjellig bruk i jobben.

► Fig.14: 1. Rettt hode

► Fig.15: 1. Skrallehode

BRUK





Riktig tiltrekkingsmoment kan variere avhengig av skruens/boltens type eller størrelse, materialet i arbeids-emnet som skal festes osv. Før du starter på jobben, må du alltid gjennomføre en test for å bestemme riktig tiltrekkingstid for skruen din.

► **Fig. 16**

MERK:

- Bruk korrekt bits for hodet på skruen/bolten du vil bruke.
- Hold verktøyet rett mot skruen.
- Hvis verktøyet brukes kontinuerlig inntil batteriet er utladet, må du la verktøyet hvile i 15 minutter før du fortsetter med et nytt batteri.

Tiltrekkingsmomentet påvirkes av et stort antall faktorer, bl.a. følgende. Etter festing må du alltid sjekke momentet med en momentnøkkel.

1. Når batteriinnsetsen er nesten helt utladet, vil spenningen synke og tiltrekkingsmomentet reduseres.
2. Skrutrekkerbor eller pipebor
Hvis du bruker skrutrekker- eller pipebor av feil størrelse, reduseres tiltrekkingsmomentet.
3. Skruer
 - Selv om momentkoeffisienten og skruelasen er den samme, vil riktig tiltrekkingsmoment variere i henhold til skruens diameter.
 - Selv om skruediameteren er den samme, vil riktig tiltrekkingsmoment variere i henhold til tiltrekkingskoeffisienten, skruelasen og skruens lengde.
4. Måten verktøyet holdes på eller materialet i skrustilling som skal festes har innflytelse på momentet.
5. Hvis verktøyet brukes på lav hastighet, reduseres tiltrekkingsmomentet.

VEDLIKEHOLD

⚠FORSIKTIG:

- Forviss deg alltid om at maskinen er slått av og batteriet tatt ut før du foretar inspeksjon eller vedlikehold.
- Aldri bruk gasolin, bensin, tynner alkohol eller lignende. Det kan føre til misfarging, deformering eller sprekkdannelse.

Før å opprettholde produktets SIKKERHET og PÅLITELIGHET, må reparasjoner, vedlikehold og justeringer utføres av Makitas autoriserte servicesentre, og det må alltid brukes reservedeler fra Makita.

VALGFRITT TILBEHØR

⚠FORSIKTIG:

- Det anbefales at du bruker dette tilbehøret eller verktøyet sammen med den Makita-maskinen som er spesifisert i denne håndboken. Bruk av annet tilbehør eller verktøy kan forårsake helseskader. Tilbehør og verktøy må kun brukes til det formålet det er beregnet på.

Ta kontakt med ditt lokale Makita-servicesenter hvis du trenger mer informasjon om dette tilbehøret.

- Phillips-bits
- Bordel
- Rett hode
- Skrallehode
- Pipe
- Pipeadapter
- Ulike typer ekte batterier og ladere fra Makita

MERK:

- Enkelte elementer i listen kan være inkludert som standardtilbehør i verktøypakken. Elementene kan variere fra land til land.

TEKNISEET TIEDOT

Malli		DTL060	DTL061
Teho	Koneruuvi	4 mm - 8 mm	
	Pultti	4 mm - 12 mm	
Nopeus kuormittamattomana (min ⁻¹)		0 - 2 000	
Iskuja minuutissa		0 - 3 000	
Maks. kiinnitysmomentti		60 N•m	
Kokonaispituus		387 mm	
Nettopaino		1,4 - 1,8 kg	1,4 - 2,0 kg
Nimellisjännite		DC 14,4 V	DC 18 V

- Jatkuvasta tutkimus- ja kehitystyöstämme johtuen esitetyt tekniset tiedot saattavat muuttua ilman erillistä ilmoitusta.
- Tekniset tiedot voivat vaihdella maittain.
- Paino voi olla erilainen lisävarusteista sekä akusta johtuen. EPTA-menettelytavan 01/2014 mukaisesti, taulukossa on kuvattu kevyin ja painavin laiteyhdistelmä.

Käytettävä akkupaketti ja laturi

Akkupaketti	DC 14,4 V malli	BL1415N / BL1430 / BL1430B / BL1440 / BL1450 / BL1460B
	DC 18 V malli	BL1815N / BL1820 / BL1820B / BL1830 / BL1830B / BL1840 / BL1840B / BL1850 / BL1850B / BL1860B
Laturi		DC18RC / DC18RD / DC18RE / DC18SD / DC18SE / DC18SF

- Tiettyjä yläpuolella kuvattuja akkuja ja latureita ei ehkä ole saatavana asuinalueestasi johtuen.

VAROITUS: Käytä vain edellä eriteltyjä akkupaketteja ja latureita. Muiden akkupakettien ja laturien käyttäminen voi aiheuttaa loukkaantumisen ja/tai tulipalon.

Käyttötarkoitus

Työkalu on tarkoitettu ruuvien kiinnittämiseen puuhun, metalliin ja muoviin.

Melutaso

Tyypillinen A-painotettu melutaso määräytyy EN62841-standardin mukaan:

Äänenpainetaso (L_{pA}): 91 dB (A)

Äänitehotaso (L_{WA}): 102 dB (A)

Virhemarginaali (K): 3 dB (A)

HUOMAA: Ilmoitetut melutasoarvot on mitattu standarditestausten menetelmän mukaisesti ja niiden avulla voidaan vertailla työkaluja keskenään.

HUOMAA: Ilmoitettuja melutasoarvoja voidaan käyttää myös altistumisen alustavaan arviointiin.

VAROITUS: Käytä kuulosuojaimia.

VAROITUS: Sähkötyökalun käytön aikana mitattu melutasoarvo voi poiketa ilmoitetuista arvoista laitteen käyttötavan ja erityisesti käsiteltävän työkappaleen mukaan.

VAROITUS: Selvitä käyttäjän suojaamiseksi tarvittavat varoimet todellisissa käyttöolosuhteissa tapahtuvan arvioidun altistumisen mukaisesti (ottaen huomioon käyttöjaksot kokonaisuuksissaan, myös jaksot, joiden aikana laite on sammutettuna tai käy tyhjäkäynnillä).

Tärinä

Värähtelyn kokonaisarvo (kolmiakselivektorin summa) on määritetty EN62841 mukaan:

Malli DTL060

Työtila : työkalun maksimipotkukapasiteetin kiinnittimien kiristys

Tärinäpäästö (a_{h1}): 9,5 m/s²

Virhemarginaali (K): 1,5 m/s²

Malli DTL061

Työtila : työkalun maksimipotkukapasiteetin kiinnittimien kiristys

Tärinäpäästö (a_{h1}): 17,5 m/s²

Virhemarginaali (K): 1,5 m/s²

HUOMAA: Ilmoitetut kokonaistärinäarvot on mitattu standarditestausten menetelmän mukaisesti ja niiden avulla voidaan vertailla työkaluja keskenään.

HUOMAA: Ilmoitettuja kokonaistärinäarvoja voidaan käyttää myös altistumisen alustavaan arviointiin.

VAROITUS: Sähkötyökalun käytön aikana mitattu todellinen tärinäpäästöarvo voi poiketa ilmoitetuista arvoista laitteen käyttötavan ja erityisesti käsiteltävän työkappaleen mukaan.

VAROITUS: Selvitä käyttäjän suojaamiseksi tarvittavat varoimet todellisissa käyttöolosuhteissa tapahtuvan arvioidun altistumisen mukaisesti (ottaen huomioon käyttöjaksot kokonaisuuksissaan, myös jaksot, joiden aikana laite on sammutettuna tai käy tyhjäkäynnillä).

EY-vaatimustenmukaisuusvakuutus

Koskee vain Euroopan maita

EY-vaatimustenmukaisuusvakuutus on liitetty tähän käyttöoppaaseen.

Sähkötyökalujen käyttöä koskevat yleiset varoitukset

VAROITUS: Tutustu kaikkiin tämän sähkötyökalun mukana toimitettuihin varoituksiin, ohjeisiin, kuviin ja teknisiin tietoihin. Seuraavassa lueteltujen ohjeiden noudattamatta jättäminen saattaa johtaa sähköiskuun, tulipaloon tai vakavaan vammautumiseen.

Säilytä varoitukset ja ohjeet tulevaa käyttöä varten.

Varoituksissa käytettävällä termillä "sähkötyökalu" tarkoitetaan joko verkkovirtaa käyttävää (johdollista) työkalua tai akkukäyttöistä (johdotonta) työkalua.

Akkukäyttöisen iskuvääntimen turvaohjeet

1. Pitele sähkötyökalua sen eristetyistä tartuntapinnoista silloin, kun on mahdollista, että kiinnitystarvike saattaa osua piilossa oleviin johtoihin. Kiinnitystarvikkeen osuminen jännitteeseen johtoon voi johtaa jännitteen työkalun sähköä johtaviin metalliosiin ja aiheuttaa käyttäjälle sähköiskun.
2. Seiso aina tukevassa asenossa. Varmista korkealla työskennellessäsi, että ketään ei ole alapuolella.
3. Ota koneesta luja ote.
4. Käytä korvasuojaimia.
5. Älä kosketa kärkeä tai työkalupäätä heti käytön jälkeen. Ne voivat olla hyvin kuumia ja aiheuttaa palovammoja.
6. Pidä kädet loitolla pyörivistä osista.
7. Käytä työkalun mukana mahdollisesti toimitettua lisäkahvaa tai kahvoja. Hallinnan menetys voi aiheuttaa henkilövahinkoja.
8. Kun suoritat toimenpiteitä, jossa leikkaustyökalu voi joutua kosketukseen piilossa olevien johtojen kanssa, pidä kiinni työkalusta sen eristetyin tarttumispinnan kohdalta. Jos leikkaustyökalu joutuu kosketukseen jännitteisen johdon kanssa, jännite voi siirtyä työkalun sähköä johtaviin metalliosiin ja aiheuttaa käyttäjälle sähköiskun.

SÄILYTÄ NÄMÄ OHJEET.

VAROITUS: ÄLÄ anna työkalun helpokäyttöisyyden (toistuvan käytön aikaansaama) johtaa sinua väärään turvallisuuden tunteeseen niin, että laiminlyöt työkalun turvaohjeiden noudattamisen. **LAIMINLYÖTTÖ** tai tässä käyttöohjeessa ilmoitettujen turvamääräysten laiminlyönti voi aiheuttaa vakavia henkilövahinkoja.

Akkupakettia koskevia tärkeitä turvaohjeita

1. Ennen akun käyttöönottoa tutustu kaikkiin laturissa (1), akussa (2) ja akkukäyttöisessä tuotteessa (3) oleviin varoitusteksteihin.
2. Älä pura akkua.
3. Jos akun toiminta-aika lyhenee merkittävästi, lopeta akun käyttö. Seurauksena voi olla ylikuumeneminen, palovammoja tai jopa räjähdys.
4. Jos akkunestettä pääsee silmiin, huuhtele puhtaalla vedellä ja hakeudu välittömästi lääkärin hoitoon. Akkuneste voi aiheuttaa näön menetyksen.
5. Älä oikosulje akkua.
 - (1) Älä koske akun napoihin millään sähköä johtavalla materiaaliilla.
 - (2) Vältä akun oikosulkemista äläkä säilytä akkua yhdessä muiden metalliesineiden, kuten naulojen, kolikoiden ja niin edelleen kanssa.
 - (3) Älä aseta akkua alttiiksi vedelle tai sateelle. Oikosulku voi aiheuttaa virtapiikin, ylikuumenemista, palovammoja tai laitteen rikkoontumisen.
6. Älä säilytä työkalua ja akkua paikassa, jossa lämpötila voi nousta 50 °C:een tai sitäkin korkeammaksi.
7. Älä hävitä akkua polttamalla, vaikka se olisi pahoin vaurioitunut tai täysin loppuun kulunut. Avotuli voi aiheuttaa akun räjähtämisen.
8. Varo kolhimasta tai pudottamasta akkua.
9. Älä käytä viallista akkua.
10. Sisältyviä litium-ioni-akkuja koskevat vaarallisten aineiden lainsäädännön vaatimukset. Esimerkiksi kolmansien osapuolten huolintaliikkeiden tulee kaupallisissa kuljetuksissa noudattaa pakkaamista ja merkintöjä koskevia erityisvaatimuksia. Lähetettävän tuotteen valmistelu edellyttää vaarallisten aineiden asiantuntijan neuvontaa. Huomioi myös mahdollisesti yksityiskohtaisemmat kansalliset määräykset. Akun avoimet liittimet tulee suojata teipillä tai suojuksella ja pakkaaminen tulee tehdä niin, ettei akku voi liikkua pakkauksessa.
11. Kun akkupaketti on hävitettävä, poista se laitteesta ja hävitä se turvallisesti. Hävitä akku paikallisten määräysten mukaisesti.
12. Käytä akkuja vain Makitan ilmoittamien tuotteiden kanssa. Akkujen asentaminen yhteensopimattomiin tuotteisiin voi aiheuttaa tulipalon, liiallisen ylikuumenemisen, räjähdyksen tai akkunestevuotoja.
13. Jos laitetta ei käytetä pitkään aikaan, akku on poistettava laitteesta.

SÄILYTÄ NÄMÄ OHJEET.

HUOMIO: Käytä vain alkuperäisiä Makita-akkuja. Muiden kuin aitojen Makita-akkujen, tai mahdollisesti muutettujen akkujen käyttö voi johtaa akun murtumiseen ja aiheuttaa tulipaloja, henkilö- ja omaisuusvahinkoja. Se mitätöi myös Makita-tökalun ja -laturin Makita-takuun.

Vihjeitä akun käyttöiän pidentämiseksi

1. Lataa akku ennen kuin se purkautuu täysin. Lopeta aina työkalun käyttö ja lataa akku, jos huomaat työkalun tehon vähenävän.
2. Älä koskaan lataa uudestaan täysin ladattua akkua. Ylilataaminen lyhentää akun käyttöikää.
3. Lataa akku huoneen lämpötilassa välillä 10 °C - 40 °C. Anna kuumen akun jäähtyä ennen lataamista.
4. Lataa akkupaketti, jos et käytä sitä pitkään aikaan (yli kuusi kuukautta).

TOIMINTOJEN KUVAUS

⚠️HUOMIO:

- Varmista aina ennen säätöjä ja tarkastuksia, että työkalu on sammutettu ja akku irrotettu.

Akun asentaminen tai irrottaminen

► **Kuva1:** 1. Punainen ilmaisain 2. Painike 3. Akku

- Sammuta työkalu aina ennen akun kiinnittämistä tai irrottamista.
- Irrota akku painamalla akun etupuolella olevaa painiketta ja vetämällä akku ulos työkalusta.
- Kiinnitä akku sovittamalla akun kieleke rungon uraan ja työntämällä akku sitten paikoilleen. Työnnä akku pohjaan asti niin, että kuulet sen napsahdavan paikoilleen. Jos painikkeen yläpuolella näkyy punainen ilmaisain, akku ei ole lukkiutunut täysin paikoilleen. Työnnä akku pohjaan asti, niin että ilmaisain ei enää näy. Jos akku ei ole kunnolla paikallaan, se voi pudota työkalusta ja aiheuttaa vammoja joko käyttäjälle tai sivullisille.
- Älä käytä voimaa, kun kiinnität akkua paikalleen. Jos akku ei mene paikalleen helposti, se on väärässä asennossa.

Akun suojausjärjestelmä (tähtimerkinnällä merkitty litiumioniakku)

► **Kuva2:** 1. Tähtimerkintä

Tähtimerkinnällä merkityssä litiumioniakussa on suojausjärjestelmä. Tämä järjestelmä pidentää akun käyttöikää katkaisemalla automaattisesti virran työkaluun. Työkalu voi pysähtyä automaattisesti kesken käytön, jos työkalussa tai akussa ilmenee jokin seuraavista tilanteista:

- Ylikuormitus:
Työkalua käytetään tavalla, joka saa sen kuluttamaan epätavallisen paljon virtaa. Vapauta silloin työkalun liipaisinkytkin, ja lopeta ylikuormitustilan aiheuttanut käyttö. Käynnistä sen jälkeen työkalu uudelleen painamalla liipaisinkytkintä.
Jos työkalu ei käynnisty, akku on ylikuumentunut. Anna silloin akun jäähtyä, enne kuin painat liipaisinkytkintä uudelleen.
- Alhainen akun jännite:
Akun varaus ei riitä työkalun käyttämiseen. Irrota silloin akku ja lataa se.

Akun jäljellä olevan varaustason ilmaisain

Vain akkupaketeille ilmaisimella

► **Kuva3:** 1. Merkkivalot 2. Tarkistuspainike

Painamalla tarkistuspainiketta saat näkyviin akun jäljellä olevan varauksen. Merkkivalot palavat muutaman sekunnin ajan.

Merkkivalot			Akussa jäljellä olevan varaus
Palaa	Pois päältä	Viikkuu	
■ ■ ■ ■	□	▣	75% - 100%
■ ■ ■ □	□	□	50% - 75%
■ ■ □ □	□	□	25% - 50%
■ □ □ □	□	□	0% - 25%
▣ □ □ □	□	□	Lataa akku.
■ ■ □ □	□	□	Akussa on saattanut olla toimintahäiriö.
□ □ ■ ■	□	□	

HUOMAA: Ilmoitettu varaustaso voi erota hieman todellisesta varaustasosta sen mukaan, millaisissa oloissa ja missä lämpötilassa laitetta käytetään.

Kytkimen käyttäminen

⚠️HUOMIO:

- Tarkista aina ennen akun kiinnittämistä työkaluun, että liipaisinkytkin kytkeytyy oikein ja palaa OFF-asentoon, kun se vapautetaan.

► **Kuva4:** 1. Kytkinvipu

Käynnistä työkalu painamalla liipaisinkytkintä. Mitä voimakkaammin kytkintä painetaan, sitä nopeammin kone käy. Laitte pysäytetään vapauttamalla liipaisinkytkin.

Etulampun syyttäminen

⚠️HUOMIO:

- Älä katso suoraan lamppuun tai valonlähteeseen.

► **Kuva5:** 1. Lamppu

Lamppu syttyy, kun vedät liipaisinkytkimestä. Lamppu palaa niin kauan kuin liipaisinkytkin on vedettynä. Lamppu sammuu automaattisesti 10 - 15 sekunnin kuluttua liipaisinkytkimen vapauttamisesta.

HUOMAA:

- Pyyhi lika pois lampun linssistä kuivalla liinalla. Älä naarmuta lampun linssiä, ettei valoteho laske.

Pyörimissuunnan vaihtokytkimen toiminta

► **Kuva6:** 1. Pyörimissuunnan vaihtokytkin

Työkalussa on pyörimissuunnan vaihtokytkin. Jos haluat koneen pyöriä myötäpäivään, paina vaihtokytkintä A-puolelta, ja jos vastapäivään, paina sitä B-puolelta.

Jos pyörimissuunnan vaihtokytkin on keskiasennossa, liipaisinkytkin lukittuu.

▲HUOMIO:

- Tarkista aina pyörimissuunta ennen käyttöä.
- Käytä pyörimissuunnan vaihtokytkintä vasta sen jälkeen, kun kone on lakannut kokonaan pyörimästä. Pyörimissuunnan vaihto koneen vielä pyöriessä voi vahingoittaa sitä.
- Aina kun konetta ei käytetä, käännä pyörimissuunnan vaihtokytkin keskiasentoon.

KOKOONPANO

▲HUOMIO:

- Varmista aina ennen mitään työkalulle tehtäviä toimenpiteitä, että se on sammutettu ja akku irrotettu.

Vääntimen terän kiinnitys ja irrotus

► **Kuva7**

Käytä vain kuvassa näkyviä vääntimen teriä tai istukkateriä.

Älä käytä muunlaisia vääntimen teriä tai istukkateriä. Terän asentamiseksi vedä holkkia nuolen osoittamaan suuntaan ja aseta terä holkkiin niin pitkälle, kuin se menee. Vapauta sitten holkki terän varmistamiseksi.

► **Kuva8:** 1. Kärki 2. Holkki

Työkaluille ilman terää pitävää holkkia.

► **Kuva9**

Käytä vain kuvassa näkyviä vääntimen teriä tai istukkateriä.

Älä käytä muunlaisia vääntimen teriä tai istukkateriä. Käytä kuvassa näkyviä liitteteriä. Liität terän asentamalla sen karaan.

► **Kuva10:** 1. Kiinnittä terä 2. Kara

HUOMAA:

- Jos terä ei ole tarpeeksi syväälle asennettu holkkiin, holkki ei palaa sen alkuperäiseen asentonsa ja terä ei ole varmistettu. Tässä tapauksessa, yritä uudelleen asentaa terä ylhäällä mainittujen ohjeiden mukaan.

Koukku (lisävaruste)

▲HUOMIO:

- Kun asennat koukun, kiristä ruuvi lujasti. Tämän laiminlyönti voi aiheuttaa työkalun rikkoutumisen ja henkilövamman.

► **Kuva11:** 1. Ura 2. Ruuvi 3. Koukku

Työkalu voidaan kätevästi ripustaa väliaikaisesti koukkuun. Koukku voidaan asentaa kummalle puolelle työkalua tahansa.

Asenna koukku työntämällä se työkalun rungon uraan jommallekummalle puolelle ja varmista kiinnitys ruuvilla. Voit irrottaa koukun löysäämällä ja irrottamalla ruuvien.

Kulmakärjen säätö

Kulmakärkeä voidaan säätää 360° (8 asentoa 45-asteen lisäyksin). Säädät sen löysäämällä kuusiopulttia ja poistamalla kulman pään. Säädä kulman kärki haluttuun asentoon ja asenna se uudelleen siten, että rungon hampaat sopivat kulmakärjen uriin. Kiristä sitten kuusiopulttia kulmakärjen varmistamiseksi.

► **Kuva12:** 1. Kuusiopultti 2. Kulmakärki

► **Kuva13:** 1. Ura 2. Hammas

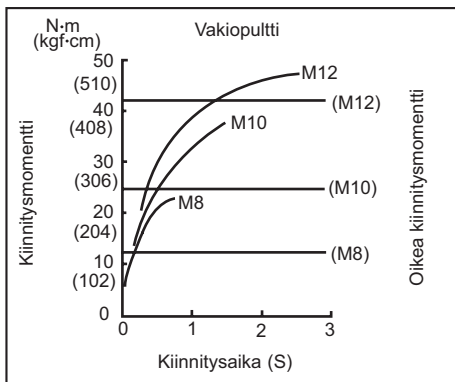
Suora kärki ja räikkäkärki (Lisävaruste)

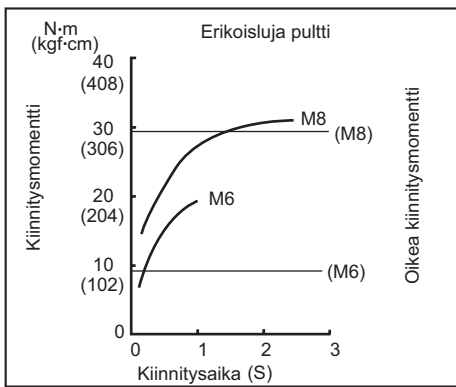
Suorat kärjet ja räikkäkärjet ovat saatavissa vaihtoehtoisina lisävarusteina työn erilaisiin sovellutuksiin.

► **Kuva14:** 1. Suorakärki

► **Kuva15:** 1. Räikkäkärki

TYÖSKENTELY





Sopivat kiinnitysmomentit vaihtelevat riippuen ruuvien/pulttien koosta ja tyypistä, kiinnitettävien materiaalista, jne. Ennen työn aloittamista, suorita aina koeajo määrittääksesi ruuvillesi sopiva kiinnitysaika.

► **Kuva16**

HUOMAA:

- Käytä oikeaa terää siihen ruuvien/pulttien päähän, jota haluat käyttää.
- Pidä työkalua suoraan ruuvia päin kohdistettuna.
- Jos työkalua käytetään jatkuvasti niin pitkään, että akku tyhjenee, anna työkalun seistä 15 minuuttia ennen kuin jatkat työskentelyä uudella akulla.

Kiinnitysmomenttiin vaikuttaa monta eri tekijää, mukaanlukien seuraavat. Kiinnityksen jälkeen tarkista aina momentti momenttiavaimella.

1. Kun akku on melkein täysin purkautunut, jännite tippuu ja kiinnitysmomentti heikkenee.
2. Vääntimenterä tai istukkaterä
Sopivan vääntimenterän tai istukkaterän käytön laiminlyönti aiheuttaa kiinnitysmomentin heikkenemisen.
3. Pultti
 - Vaikka momentin kerroin ja pulttiluokka ovat samat, oikea kiinnitysmomentti vaihtelee pultin halkaisijan mukaan.
 - Vaikka pulttien halkaisijat ovat samat, oikea kiinnitysmomentti vaihtelee momentin kertoimen, pulttiluokan ja pulttipituuden mukaan.
4. Työkalun pitämistapa tai kytkettävä ajoasento materiaalin vaikuttaa momenttiin.
5. Työkalun käyttö alhaisella nopeudella aiheuttaa kiinnitysmomentin heikkenemisen.

KUNNOSSAPITO

▲HUOMIO:

- Varmista aina ennen tarkastusta tai huoltoa, että työkalu on sammutettu ja akku irrotettu.
- Älä koskaan käytä bensiiniä, ohentimia, alkoholia tai tms. aineita. Muutoin pinta voi halkeilla tai sen värit ja muoto voivat muuttua.

Koneen TURVALLISUUDEN ja LUOTETTAVUUDEN säilyttämiseksi korjaukset sekä muut huoltotoimet ja säädöt on jätettävä Makitan valtuuttaman huollon tehtäväksi käyttäen aina Makitan alkuperäisiä varaosia.

LISÄVARUSTEET

▲HUOMIO:

- Näitä lisävarusteita ja -laitteita suositellaan käytettäväksi tässä ohjekirjassa mainitun Makitan koneen kanssa. Minkä tahansa muun lisävarusteen tai -laitteen käyttäminen voi aiheuttaa loukkaantumisaarua. Käytä lisävarusteita ja -laitteita vain niiden käyttötarkoituksen mukaisesti.

Jos tarvitset apua tai yksityiskohtaisempia tietoja seuraavista lisävarusteista, ota yhteys paikalliseen Makitan huoltoon.

- Ristiruuvauskärki
- Teräkappale
- Suorakärki
- Räikkäkärki
- Istukka
- Istukan sovitin
- Erilaisia alkuperäisiä Makita-akkuja ja latureita

HUOMAA:

- Jotkin luettelossa mainitut varusteet voivat sisältyä työkalun toimitukseen vakiovarusteina. Ne voivat vaihdella maittain.

SPECIFIKĀCIJAS

Modelis		DTL060	DTL061
Urbšanas jauda	Nostiprinātājskrūve	4 mm - 8 mm	
	Bultskrūve	4 mm - 12 mm	
Tukšgaitas ātrums (min ⁻¹)		0 - 2 000	
Trieģieni minūtē		0 - 3 000	
Maks. stīpinājuma griezes moments		60 N·m	
Kopējais garums		387 mm	
Neto svars		1,4 - 1,8 kg	1,4 - 2,0 kg
Nominālais spriegums		Līdzstrāva 14,4 V	Līdzstrāva 18 V

- Nepārtrauktās izpētes un izstrādes programmas dēļ šeit uzrādītās specifikācijas var tikt mainītas bez brīdinājuma.
- Atkarībā no valsts specifikācijas var atšķirties.
- Svārs var būt atšķirīgs atkarībā no papildierīces (-ēm), tostarp akumulatora kasetnes. Tabulā ir attēlota vieglākā un smagākā kombinācija atbilstoši EPTA procedūrai 01/2014.

Piemērotā akumulatora kasetne un lādētājs

Akumulatora kasetne	14,4 V līdzstrāvas modelis	BL1415N / BL1430 / BL1430B / BL1440 / BL1450 / BL1460B
	18 V līdzstrāvas modelis	BL1815N / BL1820 / BL1820B / BL1830 / BL1830B / BL1840 / BL1840B / BL1850 / BL1850B / BL1860B
Lādētājs		DC18RC / DC18RD / DC18RE / DC18SD / DC18SE / DC18SF

- Daži no iepriekš norādītajiem lādētājiem un akumulatora kasetnēm var nebūt pieejami atkarībā no jūsu mītnes reģiona.

▲BRĪDINĀJUMS: Izmantojiet vienīgi iepriekš norādītās akumulatora kasetnes un lādētājus. Cita tipa akumulatora kasetņu un lādētāju izmantošana var radīt traumu un/vai aizdegšanās risku.

Paredzētā lietošana

Šis darbarīks ir paredzēts skrūvju ieskrūvēšanai kokā, metālā un plastmasā.

Trokšņa līmenis

Tipiskais A-svērtais trokšņa līmenis ir noteikts saskaņā ar EN62841:

- Skaņas spiediena līmenis (L_{pA}): 91 dB (A)
- Skaņas jaudas līmenis (L_{WA}): 102 dB (A)
- Neskaidība (K): 3 dB (A)

PIEZĪME: Paziņotā trokšņa emisijas vērtība noteikta atbilstoši standarta pārbaudes metodei, un to var izmantot, lai salīdzinātu vienu darbarīku ar citu.

PIEZĪME: Paziņoto trokšņa emisijas vērtību arī var izmantot iedarbības sākotnējā novērtējumā.

▲BRĪDINĀJUMS: Lietojiet ausu aizsargus.

▲BRĪDINĀJUMS: Trokšņa emisija patiesos darba apstākļos var atšķirties no paziņotās vērtības atkarībā no darbarīka izmantošanas veida un jo īpaši atkarībā no apstrādājamā materiāla veida.

▲BRĪDINĀJUMS: Lai aizsargātu lietotāju, nosakiet drošības pasākumus, kas pamatoti ar iedarbību reālos darba apstākļos (ņemot vērā visus ekspluatācijas cikla posmus, piemēram, laiku, kamēr darbarīks ir izslēgts un kad darbojas tukšgaitā, kā arī palaides laiku).

Vibrācija

Vibrācijas kopējā vērtība (trīs asu vektora summa) noteikta saskaņā ar EN62841:

Modelis DTL060

Darba režīms: rīka maksimālās jaudas stiprinājumu pievilkšana
Vibrācijas emisija (a_h): 9,5 m/s²
Neskaidība (K): 1,5 m/s²

Modelis DTL061

Darba režīms: rīka maksimālās jaudas stiprinājumu pievilkšana
Vibrācijas emisija (a_h): 17,5 m/s²
Neskaidība (K): 1,5 m/s²

PIEZĪME: Paziņotā kopējā vibrācijas vērtība noteikta atbilstoši standarta pārbaudes metodei, un to var izmantot, lai salīdzinātu vienu darbarīku ar citu.

PIEZĪME: Paziņoto kopējo vibrācijas vērtību arī var izmantot iedarbības sākotnējā novērtējumā.

▲BRĪDINĀJUMS: Vibrācijas emisija patiesos darba apstākļos var atšķirties no paziņotās vērtības atkarībā no darbarīka izmantošanas veida un jo īpaši atkarībā no apstrādājamā materiāla veida.

▲BRĪDINĀJUMS: Lai aizsargātu lietotāju, nosakiet drošības pasākumus, kas pamatoti ar iedarbību reālos darba apstākļos (ņemot vērā visus ekspluatācijas cikla posmus, piemēram, laiku, kamēr darbarīks ir izslēgts un kad darbojas tukšgaitā, kā arī palaides laiku).

EK atbilstības deklarācija

Tikai Eiropas valstīm

EK atbilstības deklarācija šajā lietošanas rokasgrāmatā ir iekļauta kā A pielikums.

Vispārīgi elektrisko darbarīku drošības brīdinājumi

▲BRĪDINĀJUMS: Izlasiet visus drošības brīdinājumus, instrukcijas, apskatiet ilustrācijas un tehniskos datus, kas iekļauti mehanizētā darbarīka komplektācijā. Ja netiek ievēroti visi tālāk minētie noteikumi, var tikt izraisīta elektrotrauma, notikt aizdegšanās un/vai rasties smagas traumas.

Glabājiet visus brīdinājumus un norādījumus, lai varētu tajos ieskatīties turpmāk.

Termins „elektrisks darbarīks” brīdinājumos attiecas uz tādu elektrisko darbarīku, ko darbina ar elektrību (ar vadu), vai tādu, ko darbina ar akumulatoru (bez vada).

Drošības brīdinājumi bezvada triecienskrūvgrieža lietošanai

1. Veicot darbu, turiet elektrisko darbarīku aiz izolētajām satveršanas virsmām, ja stiprinājumus varētu saskarties ar paslēptu elektroinstalāciju. Stiprinājumiem saskaroties ar vadu, kurā ir spriegums, elektriskā darbarīka ārējās metāla virsmas var vadīt strāvu un radīt lietotājam elektrotraumu.
2. Vienmēr nodrošiniet stabilu pamatu kājām. Ja lietojat darbarīku, strādājot lielā augstumā virs zemes, pārliecinieties, ka apakšā neviena nav.
3. Darbarīku turiet cieši.
4. Izmantojiet ausu aizsargus.
5. Nepieskarieties uzgalim vai apstrādājamajam materiālam tūlīt pēc ekspluatācijas. Tie var būt ļoti karsti un var apdedzināt ādu.
6. Turiet rokas tālu no rotējošām daļām.
7. Izmantojiet ar darbarīku piegādātos papildu rokturus. Zaudējot kontroli, var tikt gūtas traumas.
8. Strādājot turiet elektrisko darbarīku aiz izolētajām satveršanas virsmām, ja griešanas darbarīks varētu saskarties ar neredzamu elektroinstalāciju. Griezējinstrumentam saskaroties ar vadu, kurā ir spriegums, spriegums var tikt pārņemts uz elektriskā darbarīka metāla daļām, un, iespējams, radīt operatoram elektrotraumu.

SAGLABĀJIET ŠOS NORĀDĪJUMUS.

▲BRĪDINĀJUMS: NEPIELĀUJIET to, ka labu iemaņu vai izstrādājuma labas pārzināšanas (darbarīku atkārtoti ekspluatējot) rezultātā vairs stingri neievērojat šī izstrādājuma drošības noteikumus.

NEPAREIZI LIETOJOT darbarīku vai neievērojot šajā instrukciju rokasgrāmatā minētos drošības noteikumus, var tikt gūtas smagas traumas.

Svarīgi drošības norādījumi par akumulatora kasetni

1. Pirms akumulatora lietošanas izlasiet visus norādījumus un brīdinājumus, kuri attiecas uz (1) akumulatora lādētāju, (2) akumulatoru un (3) ierīci, kurā tiek izmantots akumulators.
 2. Neizjauciet akumulatoru.
 3. Ja akumulatora darbības laiks kļūva ievērojami īsāks, nekavējoties pārtrauciet to izmantot. Citādi, tas var izraisīt pārkaršējumu, uzliesmojumu vai pat sprādzienu.
 4. Ja elektrolīts nonāk acīs, izskalojiet tās ar tīru ūdens un nekavējoties griezieties pie ārsta. Tas var izraisīt redzes zaudēšanu.
 5. Neradiet īssavienojumu akumulatora kasetnē:
 - (1) Nepieskarieties spaiļiem ar elektrību vadošiem materiāliem.
 - (2) Neuzglabājiet akumulatoru kasetni kopā ar citiem metāla priekšmetiem, tādiem kā naglas, monētas u. c.
 - (3) Nepakļaujiet akumulatora kasetni ūdens vai lietus iedarbībai.
- Akumulatora īssavienojums var radīt spēcīgu strāvas plūsmu, pārkaršanu, uzliesmojumu un pat sabojāt akumulatoru.
6. Neglabājiet darbarīku un akumulatora kasetni vietās, kur temperatūra var sasniegt vai pārsniegt 50 °C (122 °F).
 7. Nededziniet akumulatora kasetni, pat ja tā ir stipri bojāta vai pilnībā nolietota. Akumulatora kasetne uguni var eksplodēt.
 8. Uzmanieties, lai neļautu akumulatoram nokrist un nepakļautu to sitienam.
 9. Neizmantojiet bojātu akumulatoru.
 10. Uz izmantotajiem litija jonu akumulatoriem attiecas likumdošanas prasības par bīstamiem izstrādājumiem. Komerciālā transportēšanā, ko veic, piemēram, trešās puses, transporta uzņēmumi, jāievēro uz iesaiņojuma un marķējuma norādītās īpašās prasības. Lai izstrādājumu sagatavotu nosūtīšanai, jāsasīnās ar bīstamo materiālu speciālistu. Ievērojiet arī citus attiecināmos valsts normatīvus. Vajējus kontaktus nosedziet ar līmlenti vai citādi pārklājiet, bet akumulatoru iesaiņojiet tā, lai sainī tas nevarētu izkustēties.
 11. Lai utilizētu akumulatora kasetni, izņemiet to no darbarīka un likvidējiet drošā vietā. Ievērojiet vietējos noteikumus par akumulatora likvidēšanu.
 12. Izmantojiet šos akumulatorus tikai ar izstrādājumiem, kurus norādījis Makita. Ievietojot šos akumulatorus nesaferīgos izstrādājumos, var rasties ugunsgrēks, pārmērīgs karstums, tie var uzsprāgt vai no tiem var iztecoēt elektrolīts.
 13. Ja darbarīks netiks lietots ilgu laiku, no tā jāizņem akumulators.

SAGLABĀJIET ŠOS NORĀDĪJUMUS.

▲UZMANĪBU: Lietojiet tikai oriģinālos Makita akumulatorus. Ja lietojat neoriģinālus Makita akumulatorus vai pārveidotus akumulatorus, tie var uzsprāgt un izraisīt aizdegšanos, traumas un materiālos zaudējumus. Tikš anulēta arī Makita darbarīka un lādētāja garantija.

Priekšējās lampas ieslēgšana

⚠ UZMANĪBU:

- Neskatieties gaismā, neļaujiet tās avotam iespīdēt acīs.

► Att.5: 1. Lampa

Pavelciet slēdža mēlīti, lai iedegtu lampu. Kamēr slēdža mēlīte ir nospiesta, lampa ir iedegta. 10 - 15 sekundes pēc slēdža mēlītes atlaišanas gaisma automātiski izslēdzas.

PIEZĪME:

- Ar sausu lupatīņu noslaukiet netīrumus no lampas lēcas. Izvairieties saskrāpēt lampas lēcu, jo tādējādi tiek samazināts apgaismojums.

Griešanās virziena pārslēdzēja darbība

► Att.6: 1. Griešanas virziena pārslēdzēja svira

Šis darbarīks ir aprīkots ar pārslēdzēju, kas ļauj mainīt griešanās virzienu. Nospiediet griešanās virziena pārslēdzēja sviru no "A" puses rotācijai pulksteņrādītāja virzienā vai no "B" puses rotācijai pretēji pulksteņrādītāja virzienam.

Ja griešanās virziena pārslēdzēja svira atrodas neitrālajā stāvoklī, slēdža mēlīti nevar nospiest.

⚠ UZMANĪBU:

- Pirms sākat strādāt vienmēr pārbaudiet griešanās virzienu.
- Izmantojiet griešanās virziena pārslēdzēju tikai pēc darbarīka pilnas apstāšanās. Griešanās virziena maiņa pirms darbarīka pilnas apstāšanās var to sabojāt.
- Kamēr darbarīks netiek izmantots, vienmēr uzstādiet griešanās virziena pārslēdzēja sviru neitrālajā stāvoklī.

MONTĀŽA

⚠ UZMANĪBU:

- Pirms darbarīka regulēšanas vai apkopes vienmēr pārliecinieties, ka darbarīks ir izslēgts un akumulatora kasetne ir izņemta.

Skrūvgrieža uzgaļa uzstādīšana vai noņemšana

► Att.7

Izmantojiet tikai zīmējumā redzamo skrūvgrieža uzgali vai uzgriežņa uzgali.

Neizmantojiet citu skrūvgrieža uzgali vai uzgriežņa uzgali.

Lai uzstādītu uzgali, velciet uznavu bultiņas virzienā un ievietojiet uzgali uznavā līdz galam. Tad atlaidiet uznavu, lai nostiprinātu uzgali.

► Att.8: 1. Urbis 2. Uznavā

Darbarīkam bez uznavas, ar kuru nostiprina uzgali.

► Att.9

Izmantojiet tikai zīmējumā redzamo skrūvgrieža uzgali vai uzgriežņa uzgali.

Neizmantojiet citu skrūvgrieža uzgali vai uzgriežņa uzgali.

Izmantojiet ievietotus uzgaļus, kā attēlots zīmējumā. Lai uzstādītu uzgali, ievietojiet to vārpstā.

► Att.10: 1. Ievietots uzgali 2. Vārpstā

PIEZĪME:

- Ja uzgali nav pietiekami dziļi ievietots uznavā, tā neatgriezīsies savā sākotnējā pozīcijā, un uzgali nebūs nostiprināts. Šajā gadījumā mēģiniet vēlreiz ievietot uzgali atbilstoši iepriekš minētajām instrukcijām.

Āķis (piederums)

⚠ UZMANĪBU:

- Uzstādot āķi, cieši pieskrūvējiet skrūvi. Ja tā nerīkosies, darbarīks var sabojāties vai gūsiet ievainojumus.

► Att.11: 1. Rieva 2. Skrūve 3. Āķis

Āķis ir noderīgs, ja darbarīks uz kādu laiku ir jāpakar. To var uzstādīt jebkurā darbarīka pusē.

Lai uzstādītu āķi, ievietojiet to rievā jebkurā darbarīka korpusa pusē, un tad to ar skrūvi pieskrūvējiet. Lai to izņemtu, atskrūvējiet skrūvi un tad āķi izņemiet ārā.

Leņķa galviņas regulēšana

Leņķa galviņu iespējams noregulēt par 360° (8 stāvokļi, 45 grādu soļi). Lai to noregulētu, atskrūvējiet seššķautņu bultskrūvi un noņemiet leņķa galviņu.

Noregulējiet leņķa galviņu vēlamajā stāvoklī un uzstādiet to atpakaļ tā, lai zobi uz korpusa būtu ievietoti leņķa galviņas rievās. Tad pieskrūvējiet seššķautņu bultskrūvi, lai nostiprinātu leņķa galviņu.

► Att.12: 1. Seššķautņu bultskrūve 2. Leņķa galviņa

► Att.13: 1. Rieva 2. Zobis

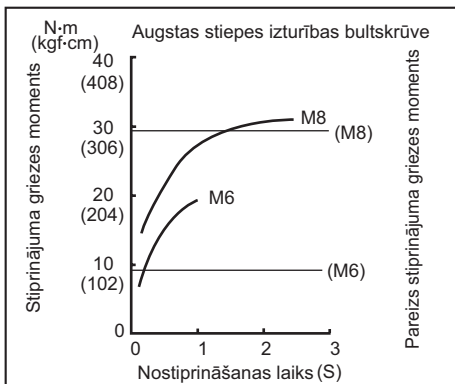
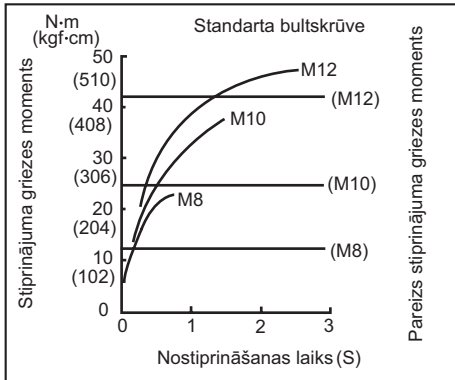
Ass galva un sprūdrata galva (piederumi)

Taisnās galviņas un sprūdrata galviņas ir pieejamas kā papildpiederumi dažādu darbu veikšanai.

► Att.14: 1. Taisna galviņa

► Att.15: 1. Sprūdrata galviņa

EKSPLUATĀCIJA



Pareizais stiprinājuma griezes moments var atšķirties atkarībā no skrūves/bulskrūves veida vai lieluma, nostiprināmā apstrādājamā materiāla, u.c. Pirms darba uzsākšanas vienmēr veiciet izmēģinājuma darbu, lai noteiktu pareizo stiprinājuma laiku attiecīgajai skrūvei.

► Att. 16

PIEZĪME:

- Lietojiet atbilstošu uzgali tai skrūvei/bulskrūvei galviņai, kuru vēlieties izmantot.
- Turiet darbarīku tieši pretī skrūvei.
- Ja darbarīks tiek darbināts nepārtraukti, līdz akumulatora kasetne ir izlādējies, pirms turpināt darbu ar jaunu akumulatoru, izslēdziet darbarīku uz 15 minūtēm.

Stiprinājuma griezes momentu ietekmē ļoti dažādi faktori, tostarp šādi. Pēc nostiprināšanas vienmēr pārbaudiet griezes momentu ar griezes momenta uzgriežņu atslēgu.

1. Kad akumulatora kasetne gandrīz pilnībā būs izlādējies, spriegums kritīsies un stiprinājuma griezes moments mazināsies.
2. Skrūvgrieža uzgali vai galatslēgas uzgali. Ja neizmantosiet pareizā izmēra skrūvgrieža vai galatslēgas uzgali, mazināsies stiprinājuma griezes moments.

3. Bulskrūve

- Pat ja griezes momenta koeficients atbilst bulskrūves kategorijai, pareizais stiprinājuma griezes moments atšķirsies atkarībā no bulskrūves diametra.
 - Pat ja bulskrūvju diametrs būs vienāds, pareizais stiprinājuma griezes moments atšķirsies atkarībā no griezes momenta koeficienta, bulskrūves kategorijas un tās garuma.
4. Darbarīka turēšanas veids vai nostiprināmais skrūvēšanas stāvokļa materiāls ietekmēs griezes momentu.
 5. Darbinot darbarīku ar mazu ātrumu, mazināsies stiprinājuma griezes moments.

APKOPE

▲UZMANĪBU:

- Pirms darbarīka pārbaudes vai apkopes vienmēr pārliecinieties, ka darbarīks ir izslēgts un akumulatora kasetne ir izņemta.
- Nekad neizmantojiet gāzoliņu, benzīnu, atšķaidītāju, spirtu vai līdzīgus šķidrumus. Tas var radīt izbalēšanu, deformāciju vai plaisas.

Lai saglabātu produkta DROŠU un UZTICAMU darbību, remontdarbus, apkopi un regulēšanu uzticiet veikt tikai Makita pilnvarotam apkopes centram un vienmēr izmantojiet tikai Makita rezerves daļas.

PAPILDU PIEDERUMI

▲UZMANĪBU:

- Šādi piederumi un rīki tiek ieteikti lietošanai ar šajā pamācībā aprakstīto Makita instrumentu. Jebkādu citu piederumu un rīku izmantošana var radīt traumu briesmas. Piederumu vai rīku izmantojiet tikai tā paredzētajam mērķim.

Ja jums vajadzīga palīdzība vai precīzāka informācija par šiem piederumiem, vērsieties savā tuvākajā Makita apkopes centrā.

- Krustveidīgs uzgali
- Svārpsta daļa
- Taisna galviņa
- Sprūdrata galviņa
- Galatslēga
- Galatslēgas adapters
- Dažādi uzņēmuma Makita ražotie akumulatori un lādētāji

PIEZĪME:

- Daži sarakstā norādītie izstrādājumi var būt iekļauti instrumenta komplektācijā kā standarta piederumi. Tie dažādās valstīs var būt atšķirīgi.

SPECIFIKACIJOS

Modelis		DTL060	DTL061
Paskirtis	Mašinos varžtas	4 mm - 8 mm	
	Varžtas	4 mm - 12 mm	
Greitis be apkrovos (min ⁻¹)		0 - 2 000	
Smūgiai per minutę		0 - 3 000	
Didž. veržimo sukimo momentas		60 N•m	
Bendras ilgis		387 mm	
Neto svoris		1,4 - 1,8 kg	1,4 - 2,0 kg
Nominali įtampa		Nuol. sr. 14,4 V	Nuol. sr. 18 V

- Atlikame tęsinius tyrimus ir nuolatos tobuliname savo gaminius, todėl čia pateikiamos specifikacijos gali būti keičiamos be įspėjimo.
- Skirtingose šalyse specifikacijos gali skirtis.
- Svoris gali priklausyti nuo priedo (-ų), įskaitant akumuliatoriaus kasetę. Lengviausias ir sunkiausias deriniai pagal EPTA 2014 m. sausio mėn. procedūrą yra parodyti lentelėje.

Tinkama akumuliatoriaus kasetė ir (arba) įkroviklis

Akumuliatoriaus kasetė	Nuol. sr. 14,4 V modelis	BL1415N / BL1430 / BL1430B / BL1440 / BL1450 / BL1460B
	Nuol. sr. 18 V modelis	BL1815N / BL1820 / BL1820B / BL1830 / BL1830B / BL1840 / BL1840B / BL1850 / BL1850B / BL1860B
Įkroviklis		DC18RC / DC18RD / DC18RE / DC18SD / DC18SE / DC18SF

- Atsižvelgiant į gyvenamosios vietos regioną, kai kurios pirmiau nurodytos akumuliatoriaus kasetės ir įkrovikliai gali būti neprieinami.

⚠️ ĮSPĖJIMAS: Naudokite tik akumuliatoriaus kasetes ir įkroviklius, kurie nurodyti anksčiau. Naudojant bet kurias kitas akumuliatoriaus kasetes ir įkroviklius, gali kilti sužeidimo ir gaisro pavojus.

Paskirtis

Šis įrankis skirtas sukti varžtus medienoje, metalė ir plastmasėje.

Triukšmas

Tipiškas A svertinis triukšmo lygis nustatytas pagal EN62841:

- Garso slėgio lygis (L_{PA}): 91 dB (A)
- Garso galios lygis (L_{WA}): 102 dB (A)
- Paklaida (K): 3 dB (A)

PASTABA: Paskelbta (-os) triukšmo reikšmė (-ės) nustatyta (-os) pagal standartinį testavimo metodą ir jį galima naudoti vienam įrankiui palyginti su kitu.

PASTABA: Paskelbta (-os) triukšmo reikšmė (-ės) taip pat gali būti naudojama (-os) norint preliminariai įvertinti triukšmo poveikį.

⚠️ ĮSPĖJIMAS: Dėvėkite ausų apsaugą.

⚠️ ĮSPĖJIMAS: Faktiškai naudojant elektrinį įrankį, keliamo triukšmo dydis gali skirtis nuo paskelbtos (-ų) reikšmės (-ių), priklausomai nuo būdų, kuriais yra naudojamas šis įrankis, ir ypač nuo to, kokio tipo ruošinys apdirbamas.

⚠️ ĮSPĖJIMAS: Siekdami apsaugoti operatorių, būtina įvertinkite saugos priemones, remdamiesi vibracijos poveikio įvertinimu esant faktinėms naudojimo sąlygoms (atsižvelgdami į visas darbo ciklo dalis, pavyzdžiui, ne tik kiek laiko įrankis veikia, bet ir kiek kartų jis yra išjungiamas bei kai jis veikia be apkrovų).

Vibracija

Vibracijos bendroji vertė (trijų ašių vektorinė suma) nustatyta pagal EN62841:

Modelis DTL060

Darbo režimas: įrankio didžiausios galios fiksatorių poveikį darantis suveržimas
 Vibracijos emisija (a_h): 9,5 m/s²
 Paklaida (K): 1,5 m/s²

Modelis DTL061

Darbo režimas: įrankio didžiausios galios fiksatorių poveikį darantis suveržimas
 Vibracijos emisija (a_h): 17,5 m/s²
 Paklaida (K): 1,5 m/s²

PASTABA: Paskelbta (-os) vibracijos bendroji (-osios) reikšmė (-ės) nustatyta (-os) pagal standartinį testavimo metodą ir jį galima naudoti vienam įrankiui palyginti su kitu.

PASTABA: Paskelbta (-os) vibracijos bendroji (-osios) reikšmė (-ės) taip pat gali būti naudojama (-os) norint preliminariai įvertinti vibracijos poveikį.

⚠️ JSPĖJIMAS: Faktiškai naudojant elektrinį įrankį, keliamos vibracijos dydis gali skirtis nuo paskelbtos (-ų) reikšmės (-ių), priklausomai nuo būdų, kuriais yra naudojamas šis įrankis, ir ypač nuo to, kokio tipo ruošinys apdirbamas.

⚠️ JSPĖJIMAS: Siekdami apsaugoti operatorių, būtina įvertinkite saugos priemones, remdami vibracijos poveikio įvertinimu esant faktinėms naudojimo sąlygoms (atsižvelgdami į visas darbo ciklo dalis, pavyzdžiui, ne tik kiek laiko įrankis veikia, bet ir kiek kartų jis yra išjungiamas bei kai jis veikia be apkrovų).

EB atitikties deklaracija

Tik Europos šalims

EB atitikties deklaracija yra pridama kaip šio instrukcijų vadovo A priedas.

Bendrieji įspėjimai dirbant elektriniais įrankiais

⚠️ JSPĖJIMAS: Perskaitykite visus saugos įspėjimus, instrukcijas, iliustracijas ir techninius duomenis, pateiktus kartu su šiuo elektriniu įrankiu. Nesilaikant visų toliau išvardytų instrukcijų galima patirti elektros smūgį, gali kilti gaisras ir (arba) galima sunkiai susižeisti.

Išsaugokite visus įspėjimus ir instrukcijas, kad galėtumėte jas peržiūrėti ateityje.

Terminas „elektrinis įrankis“ pateiktuose įspėjimuose reiškia į maitinimo tinklą jungiamą (laidinį) elektrinį įrankį arba akumuliatoriaus maitinamą (belaidį) elektrinį įrankį.

Saugos įspėjimai dėl belaidžio smūginio suktuvo naudojimo

1. Atlikdami darbus, kurių metu tvirtinimo elementas galėtų užkliudyti nematomą laidą arba savo paties laidą, laikykite elektrinius įrankius už izoliuotų paviršių. Užkliudžius laidą, kuriuo teka srovė, įtampa gali būti perduota neizoliuotoms metalinėms elektrinio įrankio dalims ir operatorius gali gauti elektros smūgį.
2. Būtinai įsitikinkite, kad tvirtai stovite. Jei naudojate įrankį aukštai, įsitikinkite, ar apacioje nėra žmonių.
3. Tvirtai laikykite įrenginį.
4. Naudokite klausos apsaugines priemones.
5. Nelieskite antgalio arba ruošinio tuo pat po darbo. Jie gali būti nepaprastai karšti ir nuodingi odą.
6. Laikykite rankas toliau nuo sukamųjų dalių.
7. Naudokite su įrankiu pridėtą išorinę rankeną (rankenas). Nesuvaldžius įrankio, galima susižeisti.
8. Atlikdami darbus, kurių metu pjovimo daly gali paliesti paslėptus laidus, laikykite elektrinį įrankį tik už izoliuotų, laikyti skirtų paviršių. Pjovimo antgaliai prisilietus prie laido, kuriuo teka elektros srovė, neizoliuotos metalinės elektrinio įrankio dalys gali sukelti elektros smūgį ir nutrenkti operatorių.

SAUGOKITE ŠIAS INSTRUKCIJAS.

⚠️ JSPĖJIMAS: NELEISKITE, kad patogumas ir gaminio pažinimas (įgyjamas pakartotinai naudojant) susilpnintų griežtą saugos taisyklių, taikytinų šiam gaminiui, laikymąsi.

Dėl NETINKAMO NAUDOJIMO arba saugos taisyklių, kurios pateiktos šioje instrukcijoje, nesilaikymo galima rimtai susižeisti.

Svarbios saugos instrukcijos, taikomos akumuliatoriaus kasetei

1. Prieš naudodami akumuliatoriaus kasetę, perskaitykite visas instrukcijas ir perspėjimus ant (1) akumuliatorių įkroviklio, (2) akumuliatorių ir (3) akumuliatorių naudojančio gaminio.
2. Neardykite akumuliatoriaus kasetės.
3. Jei įrankio darbo laikas žymiai sutrumpėjo, nedelsdami nutraukite darbą su įrankiu. Tai gali kelti perkaitimo, nudegimų ar net sprogdimo pavojų.
4. Jei elektrolitas pateko į akis, plaukite jas tyru vandeniu ir nedelsdami kreipkitės į gydytoją. Gali kilti regėjimo praradimo pavojus.
5. Neužtrumpinkite akumuliatoriaus kasetės:
 - (1) Nelieskite kontaktų degiomis medžiagomis.
 - (2) Venkite laikyti akumuliatoriaus kasetę kartu su kitais metaliniais daiktai, pavyzdžiui, vinimis, monetomis ir pan.
 - (3) Saugokite akumuliatoriaus kasetę nuo vandens ir lietaus.

Trumpasis jungimas akumuliatoriuje gali sukelti stiprią srovę, perkaitimą, galimus nudegimus ar net akumuliatoriaus gedimą.

6. Nelaikykite įrankio ir akumuliatoriaus kasetės vietoje, kur temperatūra gali pasiekti ar viršyti 50 °C.
7. Nedeginkite akumuliatoriaus kasetės, net jei yra stipriai pažeista ar visiškai susidėvėjusi. Ugnyje akumuliatoriaus kasetė gali sprogti.
8. Saugokite akumuliatorių nuo kritimo ir smūgių.
9. Nenaudokite pažeisto akumuliatoriaus.
10. Įdėtomis ličio jonų akumuliatoriams taikomi Pavojingų prekių teisės akto reikalavimai. Komeracinis transportas, pvz., trečiųjų šalių, prekių vežimo atstovų, turi laikytis specialaus reikalavimo ant pakuočių ir ženklavimo. Norėdami paruošti siųstiną prekę, pasitarkite su pavojingų medžiagų specialistu. Be to, laikykitės galimai išsamesnių nacionalinių reglamentų. Užklijuokite juosta arba padenkite atvirus kontaktus ir supakuokite akumuliatorių taip, kad ji pakuočioje nejudėtų.
11. Kai išmetate akumuliatoriaus kasetę, išimkite ją iš įrankio ir išmeskite saugioje vietoje. Vadovaukitės vietos reglamentais dėl akumuliatorių išmetimo.
12. Baterijas naudokite tik su „Makita“ nurodytais gaminiais. Baterijas įdėjus į netinkamus gaminius gali kilti gaisras, gaminys pernelyg kaisti, kilti sprogdimas arba pratekėti elektrolitas.
13. Jei įrankis bus ilgą laiką nenaudojamas, akumuliatorių būtina išimti iš įrankio.

SAUGOKITE ŠIAS INSTRUKCIJAS.

⚠️ PERSPĖJIMAS: Naudokite tik originalų „Makita“ akumuliatorių. Neoriginalaus „Makita“ arba pakeisto akumulatoriaus naudojimas gali nulemti gaisrą, asmens sužalojimą ir pažeidimą. Tai taip pat panaikina „Makita“ suteikiamą „Makita“ įrankio ir įkroviklio garantiją.

Patarimai, ką daryti, kad akumulatorius veiktų kuo ilgiau

1. Pakraukite akumulatoriaus kasetę prieš jai visiškai išsikraunant. Visuomet nustokite naudoti įrankį ir pakraukite akumulatoriaus kasetę, kai pastebite, kad įrankio galia sumažėjo.
2. Niekada nekraukite iki galo įkrautos akumulatoriaus kasetės. Perkraunant trumpėja akumulatoriaus eksploatacijos laikas.
3. Akumulatoriaus kasetę kraukite esant kambario temperatūrai 10 - 40 °C. Prieš pradėdami krauti, leiskite įkaitusiai akumulatoriaus kasetei atvėsti.
4. Įkraukite akumulatoriaus kasetę, jei jos nenudojate ilgą laiką (ilgiau nei šešis mėnesius).

VEIKIMO APRAŠYMAS

⚠️ PERSPĖJIMAS:

- Prieš reguliuodami įrenginį arba tikrindami jo veikimą visada patikrinkite, ar įrenginys išjungtas, o akumuliatorių kasetė - nuimta.

Akumulatoriaus kasetės uždėjimas ir nuėmimas

► **Pav.1:** 1. Raudonas indikatorius 2. Mygtukas 3. Akumulatoriaus kasetė

- Prieš įdėdami arba išimdami akumulatoriaus kasetę, visada išjunkite įrankį.
- Jei norite išimti akumulatoriaus kasetę, ištraukite ją iš įrankio, stumdami mygtuką, esantį kasetės priekyje.
- Jei norite įdėti akumulatoriaus kasetę, sulygiuokite liežuvėlį ant akumulatoriaus kasetės su grioveliu korpuse ir įstumkite į skirtą vietą. Visuomet įdėkite iki galo, kol spragtelėdama užsifiksuos. Jei matote raudoną indikatorių viršutinėje mygtuko pusėje, ji ne visiškai užfiksuota. Įkiškite ją iki galo, kol nebematysite raudono indikatoriaus. Priešingų atveju ji gali atsitiktinai iškristi iš įrankio, sužeisti jus ar aplinkinius.
- Nenaudokite jėgos, įdėdami akumulatoriaus kasetę. Jei kasetė sunkiai lenda, ji neteisingai kišama.

Akumulatoriaus apsaugos sistema (ličio jonų akumulatorius su žvaigždutės ženklų)

► **Pav.2:** 1. Žvaigždutės ženklas

Ličio jonų akumulatoriuose su žvaigždutės ženklų būna įrengta apsaugos sistema. Ši sistema automatiškai atjungia įrankio maitinimą, kad akumulatorius tarnautų ilgiau.

Įrankis automatiškai išsijungs darbo metu, esant vienai iš šių įrankio ir (arba) akumulatorius darbo sąlygai:

- Perkrautas:
 - Įrankis naudojamas taip, kad jame neįprastai padidėja elektros srovė.
 - Tokiu atveju atleiskite įrankio gaiduką ir nutraukite darbą, dėl kurio kilo įrankio perkrova. Po to vėl paspauskite gaiduką, kad vėl įjungtumėte įrankį.
 - Jeigu įrankis neįsijungia, reiškia perkaito akumulatorius. Tokiu atveju palaukite, kol akumulatorius atvės, paskui vėl paspauskite gaiduką.
- Žema akumulatoriaus įtampa:
 - Likusi akumulatoriaus energija per maža ir įrankis negali veikti. Tokiu atveju išimkite akumuliatorių ir įkraukite jį.

Likusios akumulatoriaus galios rodymas

Tik akumulatoriaus kasetėms su indikatoriumi

► **Pav.3:** 1. Indikatorijų lemputės 2. Tikrinimo mygtukas

Paspauskite akumulatoriaus kasetės tikrinimo mygtuką, kad būtų rodoma likusi akumulatoriaus energija. Maždaug trims sekundėms užsidegs indikatorių lemputės.

Indikatorijų lemputės			Likusi galia
Šviečia	Nešviečia	Blyksti	
■ ■ ■ ■			75 - 100 %
■ ■ ■ □			50 - 75 %
■ ■ □ □			25 - 50 %
■ □ □ □			0 - 25 %
▬ □ □ □			Įkraukite akumuliatorių.
■ ■ □ □			Galimai įvyko akumulatoriaus veikimo triktis.
□ □ ■ ■			

PASTABA: Rodmuo gali šiek tiek skirtis nuo faktinės energijos lygio – tai priklauso nuo naudojimo sąlygų ir aplinkos temperatūros.

Jungiklio veikimas

▲ PERSPĖJIMAS:

- Prieš dėdami akumulatoriaus kasetę į įrankį, visuomet patikrinkite, kad jungiklio mygtukas gerai veiktų ir atleistas grįžtų į padėtį „OFF“.

► Pav.4: 1. Jungiklio svirtis

Norėdami pradėti dirbti įrankiu tiesiog paspauskite jungiklį. Įrankio greitis didėja didinant spaudimą į jungiklį. Norėdami sustabdyti atleiskite jungiklį.

Priekinės lemputės uždegimas

▲ PERSPĖJIMAS:

- Nežiūrėkite tiesiai į šviesą arba šviesos šaltinį.

► Pav.5: 1. Lempa

Paspauskite gaiduką lemputei uždegti. Lemputė degs tol, kol bus nuspaustas gaidukas. Atleidus gaiduką, lemputė automatiškai išsijungia po 10 - 15 sekundžių.

PASTABA:

- Nešvarumus nuo lempos lęšio valykite sausu audiniu. Stenkitės nesubraižyti lempos lęšio, kad nepablogėtų apšvietimas.

Atbulinės eigos jungimas

► Pav.6: 1. Atbulinės eigos jungiklio svirtelė

Šis įrankis turi atbulinės eigos jungiklį sukimosi kryptį keisti. Nuspauskite atbulinės eigos jungiklio svirtelę iš pusės A, kad sukūptųsi pagal laikrodžio rodyklę, arba iš B pusės, kad sukūptųsi prieš laikrodžio rodyklę. Kai atbulinės eigos jungiklio svirtelė yra neutralioje padėtyje, jungiklio spausti negalima.

▲ PERSPĖJIMAS:

- Prieš naudodami visuomet patikrinkite sukimosi kryptį.
- Atbulinės eigos jungiklį naudokite tik įrankiu visiškai sustojus. Jei keisite sukimosi kryptį prieš įrankiu sustojant, galite pažeisti įrankį.
- Kai nenaudojate įrankio, visuomet nustatykite atbulinės eigos jungiklio svirtelę į neutralią padėtį.

SURINKIMAS

▲ PERSPĖJIMAS:

- Prieš darydami ką nors įrankiu visada patikrinkite, ar įrenginys išjungtas, o akumuliatorių kasetė - nuimta.

Suktuvo grąžto įdėjimas arba išėmimas

► Pav.7

Naudokite tik paveikslėlyje parodytą suktuvo grąžtą ar suktuvo antgalį. Nenaudokite kitokio suktuvo grąžto ar suktuvo antgalio.

Norėdami įstatyti grąžtą, stumkite įvorę rodyklės kryptimi ir kiškite į ją grąžtą tiek, kiek jis lenda. Po to atleiskite įvorę ir grąžtas bus užtvirtintas.

► Pav.8: 1. Grąžtas 2. Įvorė

Įrankiui su mova, skirta grąžtui laikyti

► Pav.9

Naudokite tik paveikslėlyje parodytą suktuvo grąžtą ar suktuvo antgalį. Nenaudokite kitokio suktuvo grąžto ar suktuvo antgalio.

Naudokite paveikslėlyje parodytus keičiamus grąžtus. Norėdami įdėti grąžtą, tiesiog įkiškite jį į stūmiklį.

► Pav.10: 1. Įkiškite grąžto antgalį 2. Velenas

PASTABA:

- Jeigu grąžto neįkiškite į įvorę iki galo, įvorė nesusgrįš į pradinę padėtį ir grąžtas neužsifiksuos. Tokiu atveju, dar kartą pabandykite įkišti grąžtą, laikydamiesi anksčiau išdėstytų nurodymų.

Kablys (priedas)

▲ PERSPĖJIMAS:

- Montuodami kablį, tvirtai priveržkite varžtą. Kitaip galite sugadinti įrankį arba patys susižeisti.

► Pav.11: 1. Griovelis 2. Varžtas 3. Kablys

Kablys yra patogus, kai norite trumpam pakabinti įrankį. Šitą galima uždėti bet kurioje įrankio pusėje.

Norėdami sumontuoti kablį, įkiškite jį į bet kurioje įrankio korpuso pusėje esantį griovelį, po to priveržkite jį varžtu. Norėdami kablį nuimti, atsukite varžtą ir nuimkite jį.

Kampinės galvutės reguliavimas

Įrankio galvutę galima nustatyti 360° (8 padėties, keičiant kas 45 laipsnius). Norėdami ją pareguliuoti, atlaisvinkite šešiakampį varžtą ir nuimkite kampinę galvutę. Nustatykite kampinę galvutę norimoje padėtyje ir uždėkite ją taip, kad ant korpuso esantys dantys atitiktų kampinės galvutės griovelius. Po to užveržkite šešiakampį varžtą, kad užtvirtintumėte kampinę galvutę.

► Pav.12: 1. Šešiakampis varžtas 2. Kampinė galvutė

► Pav.13: 1. Griovelis 2. Dantis

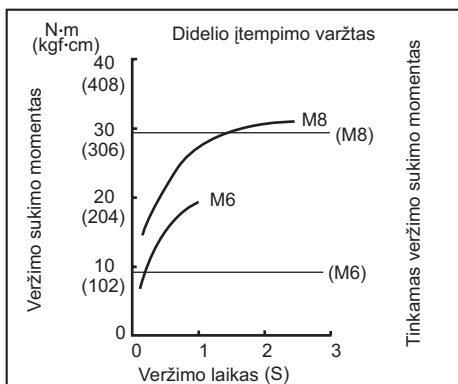
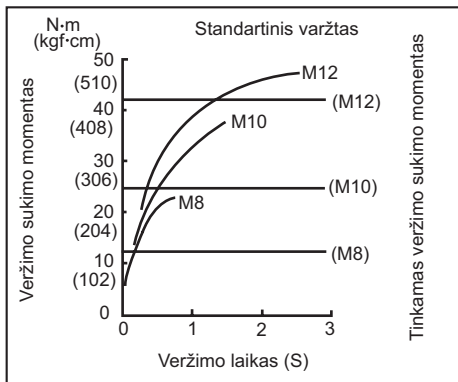
Tiesi galvutė ir reketo galvutė (priedas)

Tiesias ir reketo galvutes galima įsigyti kaip papildomus priedus ir naudoti juos įvairiems darbams.

► Pav.14: 1. Tiesi galvutė

► Pav.15: 1. Reketo galvutė

NAUDOJIMAS



Veržimo sukimo momentas gali skirtis priklausomai nuo varžtų/sraigų ir ruošinio medžiagos, į kurią bus sukami varžtai, rūšių ir t.t. Prieš pradėdami darbą, visada atlikite bandomąjį sukimą, norėdami nustatyti tinkamą veržimo sukimo momentą.

► Pav.16

PASTABA:

- Naudokite tinkamą sraigto/varžto galvutei grąžtą.
- Įrankis turi būti nukreiptas tiesiai į varžtą.
- Jei įrankis naudojamas tol, kol akumulatoriaus kasetė išsikrauna, leiskite įrankiui pailsėti 15 minučių prieš tęsdami su kitu akumulatoriumi.

Veržimo sukimo momentą įtakoja daugelis faktorių, įskaitant toliau nurodytus. Užveržę varžtą, visada dinamometrinio raktu patikrinkite sukimo momentą.

1. Kai akumulatoriaus kasetė beveik visai išsikrauna, sumažėja įtampa ir veržimo sukimo momentas sumažėja.
2. Pavaros mova arba mova
Naudojant netinkamo dydžio pavaros movą arba movą, sumažėja veržimo sukimo momentas.
3. Varžtas
 - Netgi tada, kai sukimo momento koeficientas atitinka varžto kategoriją, tinkamas veržimo sukimo momentas skiriasi, priklausomai nuo varžto skersmens.

- Netgi tada, kai varžtų skersmuo toks pats, tinkamas veržimo sukimo momentas skiriasi, priklausomai nuo sukimo momento koeficiento, varžto kategorijos ir varžto ilgio.
4. Sukimo momentą įtakoja įrankio laikymo būdas arba gręžiamos medžiagos, kurią reikia suveržti varžtais, padėtis.
 5. Dirbant su įrankiu mažu greičiu, sumažės veržimo sukimo momentas.

TECHNINĖ PRIEŽIŪRA

▲ PERSPĖJIMAS:

- Visuomet įsitikinkite, kad įrankis yra išjungtas ir akumulatoriaus kasetė yra nuimta prieš atliekant apžiūrą ir priežiūrą.
- Niekada nenaudokite gazolino, benzino, tirpiklio, spirito arba panašių medžiagų. Gali atsirasti išblukimų, deformacijų arba įtrūkimų.

Kad gaminys būtų SAUGUS ir PATIKIMAS, jį taisyti, apžiūrėti ar vykdyti bet kokią kitą priežiūrą ar derinimą turi įgaliotasis kompanijos „Makita“ techninės priežiūros centras; reikia naudoti tik kompanijos „Makita“ pagamintas atsargines dalis.

PASIRENKAMI PRIEDAI

▲ PERSPĖJIMAS:

- Su šiaime vadove aprašytu įrenginiu „Makita“ rekomenduojama naudoti tik nurodytus priedus ir papildomus įtaisus. Jeigu bus naudojami kitokie priedai ar papildomi įtaisai, gali būti sužaloti žmonės. Priedus arba papildomus įtaisus naudokite tik pagal paskirtį.

Jeigu norite daugiau sužinoti apie tuos priedus, kreipkitės į artimiausią „Makita“ techninės priežiūros centrą.

- Kryžminis atsuktuvas
- Grąžtas
- Tiesi galvutė
- Reketo galvutė
- Mova
- Movos derintuvai
- Įvairių tipų Makita originalūs akumulatoriai ir krovikliai

PASTABA:

- Kai kurie sąrašė esantys priedai gali būti pateikti įrankio pakuotėje kaip standartiniai priedai. Jie įvairiose šalyse gali skirtis.

TEHNILISED ANDMED

Mudel		DTL060	DTL061
Suutlikkus	Masinkruvi	4 mm - 8 mm	
	Polt	4 mm - 12 mm	
Pöörlemissagedus koormuseta (min ⁻¹)		0 - 2 000	
Löökide arv minutis		0 - 3 000	
Max väändemoment		60 N·m	
Kogupikkus		387 mm	
Netomass		1,4 - 1,8 kg	1,4 - 2,0 kg
Nimipinge		Alalisvool 14,4 V	Alalisvool 18 V

- Meie pideva uuringu- ja arendusprogrammi tõttu võidakse tehnilisi andmeid muuta ilma sellest ette teatamata.
- Tehnilised andmed võivad riigiti erineda.
- Kaal võib erineda olenevalt lisaseadistest, kaasa arvatud akukassetist. Kergeim ja raskeim kombinatsioon EPTA-protseduuri 01/2014 kohaselt on toodud tabelis.

Sobiv akukassett ja laadija

Akukassett	Alalisvool 14,4 V mudel	BL1415N / BL1430 / BL1430B / BL1440 / BL1450 / BL1460B
	Alalisvool 18 V mudel	BL1815N / BL1820 / BL1820B / BL1830 / BL1830B / BL1840 / BL1840B / BL1850 / BL1850B / BL1860B
Laadija		DC18RC / DC18RD / DC18RE / DC18SD / DC18SE / DC18SF

- Mõned eespool loetletud akukassetid ja -laadijad ei pruugi olla teie riigis saadaval.

⚠HOIATUS: Kasutage ainult ülalpool loetletud akukassette ja laadijaid. Muude akukassetide ja laadijate kasutamine võib tekitada vigastusi ja/või tulekahju.

Ettenähtud kasutamine

Tööriist on ette nähtud kruvide paigaldamiseks puidust, metallist ja plastikust materjalidesse.

Müra

Tüüpiline A-korrigeeritud müratase vastavalt EN62841:

Müraarõhutase (L_{pA}): 91 dB (A)

Müravõimsustase (L_{WA}): 102 dB (A)

Määramatus (K): 3 dB (A)

MÄRKUS: Deklareeritud müra väärtust (väärtuseid) on mõõdetud kooskõlas standardse katsemeetodiga ning seda võib kasutada ühe seadme võrdlemiseks teisega.

MÄRKUS: Deklareeritud müra väärtust (väärtuseid) võib kasutada ka mürataseme esmaseks hindamiseks.

⚠HOIATUS: Kasutage kõrvakaitsmeid.

⚠HOIATUS: Müratase võib elektritööriista tege-
likkuses kasutamise ajal erineda deklareeritud
väärtus(t)est olenevalt tööriista kasutusviisidest
ja eriti töödeldavast toorikust.

⚠HOIATUS: Rakendage operaatori kaitsmi-
seks kindlasti piisavaid ohutusabinõusid, mis
põhinevad hinnangulisel müratasemel tegelikus
töösituatsioonis (võttes arvesse tööperioodi kõiki
osaid, näiteks korrad, kui seade lülitatakse välja
ja seade töötab tühikäigul, lisaks tööajale).

Vibratsioon

Vibratsiooni koguväärtus (kolmeteljeliste vektorite summa) määratud vastavalt EN62841:

Mudel DTL060

Töörežiim: fiksaatorite hetkkinnitus tööriista täis-
võimsuse korral

Vibratsioonitase (a_{h1}): 9,5 m/s²

Määramatus (K): 1,5 m/s²

Mudel DTL061

Töörežiim: fiksaatorite hetkkinnitus tööriista täis-
võimsuse korral

Vibratsioonitase (a_{h1}): 17,5 m/s²

Määramatus (K): 1,5 m/s²

MÄRKUS: Deklareeritud vibratsiooni koguväärtust (-väärtuseid) on mõõdetud kooskõlas standardse katsemeetodiga ning seda võib kasutada ühe seadme võrdlemiseks teisega.

MÄRKUS: Deklareeritud vibratsiooni koguväärtust (-väärtuseid) võib kasutada ka mürataseme esmaseks hindamiseks.

⚠HOIATUS: Vibratsioonitase võib elektritöö-
riista tege-
likkuses kasutamise ajal erineda dekla-
reeritud väärtus(t)est olenevalt tööriista kasutus-
viisidest ja eriti töödeldavast toorikust.

⚠HOIATUS: Rakendage operaatori kaitsmi-
seks kindlasti piisavaid ohutusabinõusid, mis
põhinevad hinnangulisel müratasemel tegelikus
töösituatsioonis (võttes arvesse tööperioodi kõiki
osaid, näiteks korrad, kui seade lülitatakse välja
ja seade töötab tühikäigul, lisaks tööajale).

EÜ vastavusdeklaratsioon

Ainult Euroopa riikide puhul

EÜ vastavusdeklaratsioon sisaldub käesoleva juhendi Lisas A.

Üldised elektritööriistade ohutushoiatused

⚠️HOIATUS: Lugege läbi kõik selle elektritööriistaga kaasas olevad ohutushoiatused, juhised, joonised ja tehnilised andmed. Järgnevate juhiste eiramine võib põhjustada elektrilöögi, süttimise ja/või raske kehavigastuse.

Hoidke edaspidisteks viideteks alles kõik hoiatused ja juhtnöörid.

Hoiatuses kasutatud termini „elektritööriist“ all peetakse silmas elektriga töötavaid (juhtmega) elektritööriistu või akuga töötavaid (juhtmeta) elektritööriistu.

Juhtmeta löökkruvikeeraja ohutusnõuded

1. Hoidke elektritööriista isoleeritud haardepindadest, kui töotate kohas, kus kinnitusvahend võib sattuda kokkupuutesse varjatud elektrijuhtmetega. Kinnitusdetaili kokkupuude elektrijuhtmega võib pingestada tööriista avatud metallosad, mille tulemusel võib operaator saada elektrilöögi.
2. Veenduge alati, et teie jalgealne oleks kindel. Kui töotate kõrguses, siis jälgige, et teist allpool ei viibiks inimesi.
3. Hoidke tööriistast kindlalt kinni.
4. Kasutage kuulmiskaitsmeid.
5. Ärge puudutage otsakut ega töödeldavat detaili vahetult pärast töö tegemist. Need võivad olla väga kuumad ja põletada teie nahka.
6. Hoidke käed eemal pöörlevatest osadest.
7. Kasutage lisakäepidet/pidemeid, kui need on tööriistadega kaasas. Kontrolli puudumine võib põhjustada inimestele vigastusi.
8. Hoidke elektritööriista isoleeritud käepidemest, kui löikate ja lõikeriist võib kokku puutuda peidetud juhtmetega. Voolu all oleva juhtmega kokkupuutesse sattunud lõiketera võib pingestada elektritööriista metallosi ning põhjustada kasutajale elektrilöögi.

HOIDKE JUHEND ALLES.

⚠️HOIATUS: ÄRGE UNUSTAGE järgida toote ohutusnõudeid mugavuse või toote (korduskasutamise) saavutamise hea tundmise tõttu.

VALE KASUTUS või kasutusjuhendi ohutuseeskirjade eiramine võib põhjustada tervisekahjustusi.

Akukassetiga seotud olulised ohutusjuhised

1. Enne akukasseti kasutamist lugege (1) akulaadijal, (2) akul ja (3) seadmel olevad juhtnöörid ja hoiatused läbi.
2. Ärge võtke akukassetti lahti.
3. Kui tööaeg järsult lüheneb, siis lõpetage kohe kasutamine. Edasise kasutamise tulemuseks võib olla ülekuumenemine, võimalikud põletused või isegi plahvatus.
4. Kui elektrilüüti satub silma, siis loputage silma puhta veega ja pöörduge koheselt arsti poole. Selline õnnetus võib põhjustada pimedaksjäämist.
5. Ärge tekitage akukassetis lühist:
 - (1) Ärge puutuge klemme elektrijuhtmetega.
 - (2) Ärge hoidke akukassetti tööriistakastis koos metalliesemetega, nagu naelad, mündid jne.
 - (3) Ärge tehke akukassetti märjaks ega jätke seda vihma kätte.Aku lühis võib põhjustada tugevat elektri-voolu, ülekuumenemist, põletusi ning ka seadet tõsiselt kahjustada.
6. Ärge hoidke tööriista ja akukassetti kohtades, kus temperatuur võib tõusta üle 50 °C.
7. Ärge põletage akukassetti isegi siis, kui see on saanud tõsiselt vigastada või on täiesti kurnunud. Akukassett võib tules plahvatada.
8. Olge ettevaatlik, ärge laske akul maha kukkuda ja vältige lööke.
9. Ärge kasutage kahjustatud akut.
10. Sisalduvatele liitium-ioonakudele võivad kohalduda ohtlike kaupade õigusaktide nõuded. Kaubanduslikul transportimisel, näiteks kolmanda poole või transpordiettevõtete poolt, tuleb järgida pakendil ja sihtidel toodud erinõudeid. Transportimiseks ettevalmistamisel on vajalik pidada nõu ohtliku materjali ekspordiga. Samuti tuleb järgida võimalike riiklike regulatsioonide üksikasjalikumaid nõudeid. Katke teibiga või varjake avatud kontaktid ja pakendage aku selliselt, et see ei saaks pakendis liikuda.
11. Kasutuskõlbmatuks muutunud akukasseti kõrvaldamiseks eemaldage see tööriistast ja viige selleks ette nähtud kohta. Järgige kasutuskõlbmatuks muutunud aku kõrvaldamisel kohalikke eeskirju.
12. Kasutage akusid ainult Makita heaks kiidetud toodetega. Akude paigaldamine selleks mitte ettenähtud toodetele võib põhjustada süttimist, ülemääraast kuumust, plahvatamist või elektrilüüdi lekkimist.
13. Kui tööriista ei kasutata pika ajaperioodi jooksul, tuleb aku tööriistast eemaldada.

HOIDKE JUHEND ALLES.

⚠️ETTEVAATUST: Kasutage ainult Makita originaalakusid. Mitte Makita originaalakude või muudetud akude kasutamine võib põhjustada akude süttimise, kehavigastuse ja kahjustuse. Samuti muudab see kehtetuks Makita tööriista ja laadija Makita garantii.

Vihjeid aku maksimaalse kasutaja tagamise kohta

1. Laadige akukasetti enne selle täielikku tühjenemist. Kui märkate, et tööriist töötab väiksema võimsusega, peatage töö ja laadige akukasetti.
2. Ärge laadige täielikult laetud akukasetti. Ülelaadimine lühendab akude kasutusiga.
3. Laadige akukasetti toatemperatuuril 10 °C - 40 °C. Enne laadimist laske kuumenenud akukasetil maha jahtuda.
4. Kui te ei kasuta akukasetti kauem kui kuus kuud, laadige see.

FUNKTSIONAALNE KIRJELDUS

⚠ ETTEVAATUST:

- Kandke alati hoolt selle eest, et tööriist oleks enne reguleerimist ja kontrollimist välja lülitatud ja akukasett eemaldatud.

Akukasetti paigaldamine või eemaldamine

► **Joon.1:** 1. Punane näidik 2. Nupp 3. Akukasett

- Lülitage tööriist alati enne akukasetti paigaldamist või eemaldamist välja.
- Akukasetti eemaldamiseks libistage see tööriista küljest lahti, vajutades kasseti esiküljel paiknevat nuppu alla.
- Akukasetti paigaldamiseks joondage akukasetti keel korpuse soonega ja libistage kassett oma kohale. Paigaldage kassett nii kaugele, et see lukustuks klõpsatusega oma kohale. Kui näete nupu ülaosas punast osa, pole kassett täielikult lukustunud. Paigaldage see täies ulatuses nii, et punast osa ei jääks näha. Vastasel korral võib kassett tööriistast välja kukkuda ning vigastada Teid või läheduses viibivaid isikuid.
- Ärge kasutage akukasetti paigaldamisel jõudu. Kui kassett ei lähe kergesti sisse, pole see õigesti paigaldatud.

Aku kaitsesüsteem (tähe märgisega liitiumioonaku)

► **Joon.2:** 1. Tähe märgis

Tähe märgisega liitiumioonakud on varustatud kaitsesüsteemiga. Süsteem lülitab tööriista toitevoolu automaatselt välja, et pikendada aku eluiga.

Tööriist seiskub käitamise ajal automaatselt, kui tööriista ja/või aku kohta kehtivad järgmised tingimused.

- Ülekoormus. Tööriista kasutatakse viisil, mis põhjustab toitevoolu tugevuse tõusu lubatust kõrgemale. Sellisel juhul vabastage tööriista päästikülülit ja lõpetage töö, mis põhjustas tööriista ülekoormuse. Seejärel tõmmake taaskäivitamiseks uuesti päästikülülit. Kui tööriist ei käivitu, on aku üle kuumenenud. Sellisel juhul laske akul maha jahtuda, enne kui päästikülülit uuesti tõmbate.
- Madal akupinge. Aku jääkmahtuvus on liiga väike ja tööriist ei hakka tööle. Sellisel juhul eemaldage aku ja laadige seda.

Aku jääkmahtuvuse näit

Ainult näidikuga akukasettidele

► **Joon.3:** 1. Märgulambid 2. Kontrollimise nupp

Akukasetti järelejäänud mahtuvuse kontrollimiseks vajutage kontrollimise nuppu. Märgulambid süttivad mõneks sekundiks.

Märgulambid			Jääkmahtuvus
Pöleb	Ei põle	Vilgub	
■ ■ ■ ■			75 - 100%
■ ■ ■ □			50 - 75%
■ ■ □ □			25 - 50%
■ □ □ □			0 - 25%
▣ □ □ □			Laadige akut.
■ ■ □ □			Akul võib olla tõrge.
□ □ ■ ■			

MÄRKUS: Näidatud mahtuvus võib veidi erineda tegelikust mahtuvusest olenevalt kasutustingimustest ja ümbritseva keskkonna temperatuurist.

Lüliti funktsioneerimine

⚠ ETTEVAATUST:

- Kontrollige alati enne akukasetti tööriista külge paigaldamist, kas lüliti päästik funktsioneerib nõuetekohaselt ja liigub lahtilaskmisel tagasi väljalülitatud asendisse.

► **Joon.4:** 1. Hoobülülit

Tööriista töölelülitamiseks on vaja lihtsalt lüliti päästikut tõmmata. Tööriista kiirus kasvab siis, kui suurendate survet lüliti päästikule. Seiskamiseks vabastage lüliti päästik.

Eesmise lambi süütamine

⚠ ETTEVAATUST:

- Ärge vaadake otse valgusesse ega valgusalikkat.

► **Joon.5:** 1. Lamp

Lambi süütamiseks tõmmake lüliti päästikut. Lamp põleb seni, kuni tõmmatakse lüliti päästikut. Pärast lüliti päästiku vabastamist kustub tuli automaatselt 10-15 sekundi pärast.

MÄRKUS:

- Kasutage lambiklaasilt mustuse ära pühkimiseks kuiva riidelappi. Olge seda tehes ettevaatlik, et lambiklaasi mitte kriimustada, sest vastasel korral võib valgustus väheneda.

Suunamuutmise lüliti töötamisviis

► Joon.6: 1. Suunamuutmislüliti hooob

Sellel tööriistal on suunamuutmise lüliti, millega saab muuta pöörlemise suunda. Suruge suunamuutmislüliti hooob A-küljel alla ning tööriist pöörleb päripäeva või vastupäeva pöörlemiseks suruge see alla B-küljel. Kui suunamuutmislüliti hooob on neutraalses asendis, siis lüliti päästikut tömmata ei saa.

⚠ETTEVAATUST:

- Enne töö alustamist kontrollige alati pöörlemise suunda.
- Kasutage pöörlemis-suuna lüliti alles pärast tööriista täielikku seiskumist. Enne tööriista seiskumist suuna muutmine võib tööriista kahjustada.
- Kui tööriista ei kasutata, peab suunamuutmislüliti hooob olema alati neutraalses asendis.

KOKKUPANEK

⚠ETTEVAATUST:

- Kandke alati hooob selle eest, et tööriist oleks enne igasuguseid hooldustöid välja lülitatud ja akukassett eemaldatud.

Krivikeeramisotsaku paigaldamine või eemaldamine

► Joon.7

Kasutage ainult joonisel näidatud puuri otsakut või sokli otsakut.

Ärge kasutage mingit muud puuri otsakut või sokli otsakut.

Otsaku paigaldamiseks tömmake hülssi noole suunas ja torgake otsak võimalikult sügavale hülssi. Seejärel vastabaste hülss otsaku fikseerimiseks.

► Joon.8: 1. Otsak 2. Hülss

Tööriista kohta, millel puudub otsakut kinnihoidev hülss

► Joon.9

Kasutage ainult joonisel näidatud puuri otsakut või sokli otsakut.

Ärge kasutage mingit muud puuri otsakut või sokli otsakut.

Kasutage joonisel näidatud sissepandavaid otsakuid. Otsaku paigaldamiseks torgake see lihtsalt völli sisse.

► Joon.10: 1. Sissepandav otsak 2. Völli

MÄRKUS:

- Kui otsakut ei panda piisavalt sügavale hülssi, ei pöördu hülss tagasi algasendisse ja otsak ei fikseeru. Sel juhul proovige otsakut eespool toodud juhiste kohaselt uuesti paigaldada.

Konks (tarvik)

⚠ETTEVAATUST:

- Konksu paigaldamisel keerake kruvi korralikult kinni. Vastasel korral võib tagajärjeks olla tööriista purunemine või kehavigastus.

► Joon.11: 1. Soon 2. Kruvi 3. Konks

Konksu abil saate tööriista ajutiselt kuhugi riputada. Selle võib paigaldada tööriista ükskõik kummale küljele. Konksu paigaldamiseks torgake see tööriista korpuse ükskõik kummal küljel olevasse õnarusse ja kinnitage kruviga. Eemaldamiseks lödvendage kruvi ja võtke see siis välja.

Nurkpea reguleerimine

Nurkpead saab reguleerida 360° ulatuses (8 asendit 45-kraadise sammuga). Reguleerimiseks lödvendage kuuskantpolti ja eemaldage nurkpea.

Reguleerige nurkpea soovitud asendis ja pange see tagasi, nii et korpusel olevad hambad asetuvad nurkpeal olevatesse soontesse. Seejärel keerake kuuskantpolt nurkpea fikseerimiseks kinni.

► Joon.12: 1. Kuuskantpolt 2. Nurkpea

► Joon.13: 1. Soon 2. Hammas

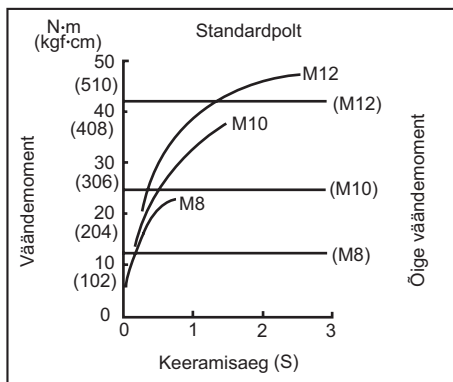
Sirg- ja pörkkepa (tarvikud)

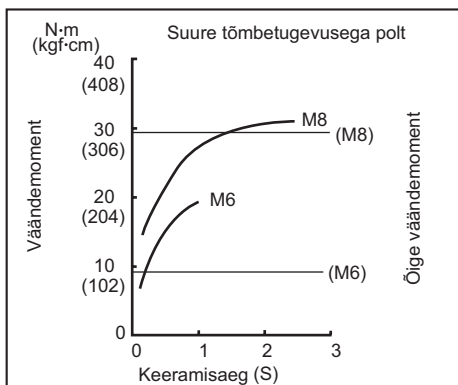
Lisatarvikutena on mitmeteks tööoperatsioonideks saadaval sirg- ja pörkkepad.

► Joon.14: 1. Sirgpea

► Joon.15: 1. Pörkkepa

TÖÖRIISTA KASUTAMINE





Õige väändmoment keeramisel võib varieeruda, sõltuvalt kruvi/poldi tüübist ja suurusest, kinnitatava detaili materjalist jms. Enne töö alustamist tehke alati proovikeeramine, et teha kindlaks kruvi jaoks sobiv keeramisaeg.

► **Joon.16**

MÄRKUS:

- Kasutage keeratava kruviga/poldiga sobivat õiget otsakut.
- Suunake tööriist otse kruvile.
- Kui tööriistaga töötatakse järjest seni, kuni akukassett on tühi, laske tööriistal enne uue akuga töö jätkamist 15 minutit seista.

Kinnikeeramiseks kuluvat aega mõjutavad mitmesugused tegurid, sealhulgas järgmised. Pärast kinnikeeramist kontrollige dünamomeetrilise võtme abil alati väändmomenti.

1. Kui akukassett on peaaegu tühi, toimub pingelangus ja väändmoment väheneb.
2. Kruvikeeraja- või sokliotsak
Vale suurusega kruvikeeraja- või sokliotsaku kasutamine põhjustab väändmomendi vähenemise.
3. Polt
 - Isegi kui väändkoefitsient ja poldi klass on samad, sõltub õige väändmoment keeramisel poldi läbimõõdust.
 - Isegi kui poltide läbimõõdud on samad, sõltub õige väändmoment keeramisel väändkoefitsiendist, poldi klassist ja pikkusest.
4. Tööriista või materjali hoidmise viis ja sisseminekunurk mõjutavad väändmomenti.
5. Tööriista kasutamine madalal kiirusel põhjustab väändmomendi vähenemise.

HOOLDUS

⚠️ ETTEVAATUST:

- Kandke alati enne kontroll- või hooldustoimingute teostamist hoolt selle eest, et tööriist oleks välja lülitatud ja akukassett korpuse küljest eemaldatud.
- Ärge kunagi kasutage bensiini, vedeldit, alkoholi ega midagi muud sarnast. Selle tulemuseks võib olla luitumine, deformatsioon või pragunemine.

Toote OHUTUSE ja TÕÕKINDLUSE tagamiseks tuleb vajalikud remonttööd, muud hooldus- ja reguleerimistööd lasta teha Makita volitatud teeninduskeskustes. Alati tuleb kasutada Makita varuosi.

VALIKULISED TARVIKUD

⚠️ ETTEVAATUST:

- Neid tarvikuid ja lisaseadiseid on soovitatav kasutada koos Makita tööriistaga, mille kasutamist selles kasutusjuhendis kirjeldatakse. Muude tarvikute ja lisaseadiste kasutamisega kaasneb vigastada saamise oht. Kasutage tarvikuid ja lisaseadiseid ainult otstarvetel, milleks need on ette nähtud.

Saate vajadusel kohalikust Makita teeninduskeskusest lisateavet nende tarvikute kohta.

- Phillips otsak
- Otsakumoodul
- Sirgpea
- Pörkepea
- Sokkel
- Sokliadapter
- Mitut tüüpi Makita originaalakud ja laadijad

MÄRKUS:

- Mõned nimekirjas loetletud tarvikud võivad kuuluda standardvarustusse ning need on lisatud tööriista pakendisse. Need võivad riikide lõikes erineda.

ТЕХНИЧЕСКИЕ ХАРАКТЕРИСТИКИ

Модель		DTL060	DTL061
Производительность	Мелкий крепежный винт	4 мм - 8 мм	
	Болт	4 мм - 12 мм	
Число оборотов без нагрузки (мин ⁻¹)		0 - 2 000	
Ударов в минуту		0 - 3 000	
Максимальное усилие затяжки		60 Н·м	
Общая длина		387 мм	
Вес нетто		1,4 - 1,8 кг	1,4 - 2,0 кг
Номинальное напряжение		14,4 В пост. Тока	18 В пост. Тока

- Благодаря нашей постоянно действующей программе исследований и разработок указанные здесь технические характеристики могут быть изменены без предварительного уведомления.
- Технические характеристики могут различаться в зависимости от страны.
- Масса может отличаться в зависимости от дополнительного оборудования. Обратите внимание, что блок аккумулятора также считается дополнительным оборудованием. В таблице представлены комбинации с наибольшим и наименьшим весом в соответствии с процедурой EPTA 01/2014.

Подходящий блок аккумулятора и зарядное устройство

Блок аккумулятора	Модель 14,4 В пост. тока	BL1415N / BL1430 / BL1430B / BL1440 / BL1450 / BL1460B
	Модель 18 В пост. тока	BL1815N / BL1820 / BL1820B / BL1830 / BL1830B / BL1840 / BL1840B / BL1850 / BL1850B / BL1860B
Зарядное устройство		DC18RC / DC18RD / DC18RE / DC18SD / DC18SE / DC18SF

- В зависимости от региона проживания некоторые блоки аккумуляторов и зарядные устройства, перечисленные выше, могут быть недоступны.

⚠ ОСТОРОЖНО: Используйте только перечисленные выше блоки аккумуляторов и зарядные устройства. Использование других блоков аккумуляторов и зарядных устройств может привести к травме и/или пожару.

Назначение

Инструмент предназначен для закручивания шурупов в древесину, металл и пластмассу.

Шум

Типичный уровень взвешенного звукового давления (A), измеренный в соответствии с EN62841:

Уровень звукового давления (L_{pA}): 91 дБ (A)

Уровень звуковой мощности (L_{WA}): 102 дБ (A)

Погрешность (K): 3 дБ (A)

ПРИМЕЧАНИЕ: Заявленное значение распространения шума измерено в соответствии со стандартной методикой испытаний и может быть использовано для сравнения инструментов.

ПРИМЕЧАНИЕ: Заявленное значение распространения шума можно также использовать для предварительных оценок воздействия.

⚠ ОСТОРОЖНО: Используйте средства защиты слуха.

⚠ ОСТОРОЖНО: Распространение шума во время фактического использования электроинструмента может отличаться от заявленного значения в зависимости от способа применения инструмента и в особенности от типа обрабатываемой детали.

⚠ ОСТОРОЖНО: Обязательно определите меры безопасности для защиты оператора, основанные на оценке воздействия в реальных условиях использования (с учетом всех этапов рабочего цикла, таких как выключение инструмента, работа без нагрузки и включение).

Вибрация

Суммарное значение вибрации (сумма векторов по трем осям) определяется по следующим параметрам EN62841:

Модель DTL060

Рабочий режим: твердая затяжка крепежных деталей при максимальной мощности инструмента

Распространение вибрации (a_h): 9,5 м/с²

Погрешность (K): 1,5 м/с²

Модель DTL061

Рабочий режим: твердая затяжка крепежных деталей при максимальной мощности инструмента

Распространение вибрации (a_h): 17,5 м/с²

Погрешность (K): 1,5 м/с²

ПРИМЕЧАНИЕ: Заявленное общее значение распространения вибрации измерено в соответствии со стандартной методикой испытаний и может быть использовано для сравнения инструментов.

ПРИМЕЧАНИЕ: Заявленное общее значение распространения вибрации можно также использовать для предварительных оценок воздействия.

⚠ОСТОРОЖНО: Распространение вибрации во время фактического использования электроинструмента может отличаться от заявленного значения в зависимости от способа применения инструмента и в особенности от типа обрабатываемой детали.

⚠ОСТОРОЖНО: Обязательно определите меры безопасности для защиты оператора, основанные на оценке воздействия в реальных условиях использования (с учетом всех этапов рабочего цикла, таких как выключение инструмента, работа без нагрузки и включение).

Декларация о соответствии ЕС

Только для европейских стран

Декларация о соответствии ЕС включена в руководство по эксплуатации (Приложение А).

Общие рекомендации по технике безопасности для электроинструментов

⚠ОСТОРОЖНО: Ознакомьтесь со всеми представленными инструкциями по технике безопасности, указаниями, иллюстрациями и техническими характеристиками, прилагаемыми к данному электроинструменту. Несоблюдение каких-либо инструкций, указанных ниже, может привести к поражению электрическим током, пожару и/или серьезной травме.

Сохраните брошюру с инструкциями и рекомендациями для дальнейшего использования.

Термин "электроинструмент" в предупреждениях относится ко всему инструменту, работающему от сети (с проводом) или на аккумуляторах (без провода).

Меры безопасности при использовании аккумуляторного ударного шуруповерта

1. Если при выполнении работ существует риск контакта инструмента со скрытой электропроводкой, держите электроинструмент за специально предназначенные изолированные поверхности. Контакт с проводом под напряжением приведет к тому, что металлические детали инструмента также будут под напряжением, что приведет к поражению оператора электрическим током.

2. При выполнении работ всегда занимайте устойчивое положение. При использовании инструмента на высоте убедитесь в отсутствии людей внизу.
3. Крепко держите инструмент.
4. Обязательно используйте средства защиты слуха.
5. Не касайтесь головки инструмента или детали сразу после окончания работы. Они могут быть очень горячими и причинить ожог.
6. Руки должны находиться на расстоянии от вращающихся деталей.
7. Используйте дополнительную ручку (если входит в комплект инструмента). Утрата контроля над инструментом может привести к травме.
8. Если при выполнении работ существует риск контакта режущего инструмента со скрытой электропроводкой, держите электроинструмент за специально предназначенные изолированные поверхности. Контакт с проводом под напряжением приведет к тому, что металлические детали инструмента также будут под напряжением, что приведет к поражению оператора электрическим током.

СОХРАНИТЕ ДАННЫЕ ИНСТРУКЦИИ.

⚠ОСТОРОЖНО: НЕ ДОПУСКАЙТЕ, чтобы удобство или опыт эксплуатации данного устройства (полученный от многократного использования) доминировали над строгим соблюдением правил техники безопасности при обращении с этим устройством.

НЕПРАВИЛЬНОЕ ИСПОЛЬЗОВАНИЕ инструмента или несоблюдение правил техники безопасности, указанных в данном руководстве, может привести к тяжелой травме.

Важные правила техники безопасности для работы с аккумуляторным блоком

1. Перед использованием аккумуляторного блока прочитайте все инструкции и предупреждающие надписи на (1) зарядном устройстве, (2) аккумуляторном блоке и (3) инструменте, работающем от аккумуляторного блока.
2. Не разбирайте аккумуляторный блок.
3. Если время работы аккумуляторного блока значительно сократилось, немедленно прекратите работу. В противном случае, может возникнуть перегрев блока, что приведет к ожогам и даже к взрыву.
4. В случае попадания электролита в глаза промойте их обильным количеством чистой воды и немедленно обратитесь к врачу. Это может привести к потере зрения.
5. Не замыкайте контакты аккумуляторного блока между собой:
 - (1) Не прикасайтесь к контактам какими-либо токопроводящими предметами.
 - (2) Не храните аккумуляторный блок в контейнере вместе с другими металлическими предметами, такими как гвозди, монеты и т. п.

(3) Не допускайте попадания на аккумуляторный блок воды или дождя.

Замыкание контактов аккумуляторного блока между собой может привести к возникновению большого тока, перегреву, возможным ожогам и даже поломке блока.

6. Не храните инструмент и аккумуляторный блок в местах, где температура может достигать или превышать 50 °C (122 °F).
7. Не бросайте аккумуляторный блок в огонь, даже если он сильно поврежден или полностью вышел из строя. Аккумуляторный блок может взорваться под действием огня.
8. Не роняйте и не ударяйте аккумуляторный блок.
9. Не используйте поврежденный аккумуляторный блок.
10. Входящие в комплект литий-ионные аккумуляторы должны эксплуатироваться в соответствии с требованиями законодательства об опасных товарах.

При коммерческой транспортировке, например, третьей стороной или экспедитором, необходимо нанести на упаковку специальные предупреждения и маркировку.

В процессе подготовки устройства к отправке обязательно проконсультируйтесь со специалистом по опасным материалам. Также соблюдайте местные требования и нормы. Они могут быть строже.

Закройте или закрепите разомкнутые контакты и упакуйте аккумулятор так, чтобы он не перемещался по упаковке.

11. Для утилизации блока аккумулятора извлеките его из инструмента и утилизируйте безопасным способом. Выполняйте требования местного законодательства по утилизации аккумуляторного блока.
12. Используйте аккумуляторы только с продукцией, указанной Makita. Установка аккумуляторов на продукцию, не соответствующую требованиям, может привести к пожару, перегреву, взрыву или утечке электролита.
13. Если инструментом не будут пользоваться в течение длительного периода времени, извлеките аккумулятор из инструмента.

СОХРАНИТЕ ДАННЫЕ ИНСТРУКЦИИ.

ВНИМАНИЕ: Используйте только фирменные аккумуляторные батареи Makita. Использование аккумуляторных батарей, не произведенных Makita, или батарей, которые были подвергнуты модификациям, может привести к взрыву аккумулятора, пожару, травмам и повреждению имущества. Это также автоматически аннулирует гарантию Makita на инструмент и зарядное устройство Makita.

Советы по обеспечению максимального срока службы аккумулятора

1. Заряжайте блок аккумуляторов перед его полной разрядкой. Обязательно прекратите работу с инструментом и зарядите блок аккумуляторов, если вы заметили снижение мощности инструмента.
2. Никогда не подзаряжайте полностью заряженный блок аккумуляторов. Перезарядка сокращает срок службы аккумулятора.
3. Заряжайте блок аккумуляторов при комнатной температуре в 10 - 40 °C (50 - 104 °F). Перед зарядкой горячего блока аккумуляторов дайте ему остыть.
4. Зарядите ионно-литиевый аккумуляторный блок, если вы не будете пользоваться инструментом длительное время (более шести месяцев).

ОПИСАНИЕ ФУНКЦИОНИРОВАНИЯ

ВНИМАНИЕ:

- Перед регулировкой или проверкой функционирования всегда отключайте инструмент и вынимайте блок аккумуляторов.

Установка или снятие блока аккумуляторов

► Рис.1: 1. Красный индикатор 2. Кнопка 3. Блок аккумулятора

- Обязательно выключайте инструмент перед установкой и извлечением аккумуляторного блока.
- Для снятия аккумуляторного блока нажмите кнопку на лицевой стороне и извлеките блок.
- Для установки блока аккумуляторной батареи совместите выступ блока с пазом в корпусе и задвиньте его на место. Всегда устанавливайте блок до упора так, чтобы он зафиксировался на месте с небольшим щелчком. Если вы можете видеть красный индикатор на верхней части клавиши, аккумуляторный блок не полностью установлен на месте. Установите его до конца так, чтобы красный индикатор был не виден. В противном случае аккумуляторный блок может выпасть из инструмента и нанести травму вам или другим людям.
- Не применяйте силу при установке аккумуляторного блока. Если блок не двигается свободно, значит он вставлен неправильно.

Система защиты аккумуляторной батареи (ионно-литиевый аккумуляторный блок со звездочкой)

► Рис.2: 1. Звездочка

В ионно-литиевых аккумуляторных блоках со звездочкой предусмотрена система защиты. Она автоматически отключает питание для продления срока службы аккумуляторного блока.

Инструмент автоматически остановится во время работы при возникновении указанных ниже ситуаций:

- Перегрузка:

Из-за способа эксплуатации инструмент потребляет очень большое количество тока. В этом случае отпустите курковый переключатель на инструменте и прекратите использование, повлекшее перегрузку инструмента. Затем снова нажмите на курковый выключатель для перезапуска. Если инструмент не включается, значит, перегрелся аккумуляторный блок. В этом случае дайте ему остыть перед повторным нажатием на курковый выключатель.
- Низкое напряжение аккумуляторной батареи:

Уровень оставшегося заряда аккумулятора слишком низкий и инструмент не работает. В этом случае снимите и зарядите аккумуляторный блок.

Индикация оставшегося заряда аккумулятора

Только для блоков аккумулятора с индикатором

► Рис.3: 1. Индикаторы 2. Кнопка проверки

Нажмите кнопку проверки на аккумуляторном блоке для проверки заряда. Индикаторы загорятся на несколько секунд.

Индикаторы			Уровень заряда
Горит	Выкл.	Мигает	
■	■	■	от 75 до 100%
■	■	■	от 50 до 75%
■	■	□	от 25 до 50%
■	□	□	от 0 до 25%
▨	□	□	Зарядите аккумуляторную батарею.
■	■	□	Возможно, аккумуляторная батарея неисправна.
□	□	■	

ПРИМЕЧАНИЕ: В зависимости от условий эксплуатации и температуры окружающего воздуха индикация может незначительно отличаться от фактического значения.

Действие выключателя

⚠ ВНИМАНИЕ:

- Перед вставкой блока аккумуляторов в инструмент, всегда проверяйте, что триггерный переключатель работает надлежащим образом и возвращается в положение "ВЫКЛ", если его отпустить.

► Рис.4: 1. Рычаг переключателя

Для запуска инструмента просто нажмите триггерный переключатель. Скорость инструмента увеличивается при увеличении давления на триггерный переключатель. Отпустите триггерный переключатель для остановки.

Включение передней лампы

⚠ ВНИМАНИЕ:

- Не смотрите непосредственно на свет или источник света.

► Рис.5: 1. Лампа

Нажмите на курковый выключатель для включения лампы. Лампа будет светиться до тех пор, пока выключатель будет оставаться в нажатом положении. Лампа гаснет через 10-15 секунд после отпущения куркового выключателя.

ПРИМЕЧАНИЕ:

- Используйте сухую ткань для очистки грязи с линзы лампы. Следите за тем, чтобы не поцарапать линзу лампы, так как это может уменьшить освещение.

Действие реверсивного переключателя

► Рис.6: 1. Рычаг реверсивного переключателя

Данный инструмент имеет реверсивный переключатель для изменения направления вращения. Нажмите на рычаг реверсивного переключателя со стороны А для вращения по часовой стрелке или со стороны В для вращения против часовой стрелки. Когда рычаг реверсивного переключателя находится в нейтральном положении, триггерный переключатель нажать нельзя.

⚠ ВНИМАНИЕ:

- Перед работой всегда проверяйте направление вращения.
- Пользуйтесь реверсивным переключателем только после полной остановки инструмента. Изменение направления вращения до полной остановки инструмента может привести к его повреждению.
- Если инструмент не используется, всегда переводите рычаг реверсивного переключателя в нейтральное положение.

МОНТАЖ

⚠ ВНИМАНИЕ:

- Перед проведением каких-либо работ с инструментом всегда проверяйте, что инструмент отключен, а блок аккумуляторов снят.

Установка или снятие отверточной биты

► Рис.7

Используйте сменные наконечники (отвертки и головки) только таких типов, которые показаны на рисунке.

Не пользуйтесь сменными наконечниками (отвертками и головками) других типов.

Для вставки биты, потяните втулку в направлении, указанном стрелкой, и вставьте биту во втулку как можно дальше. Затем отпустите втулку, чтобы затянуть биту.

► Рис.8: 1. Бита 2. Втулка

Для инструмента без втулки для крепления биты

► Рис.9

Используйте сменные наконечники (отвертки и головки) только таких типов, которые показаны на рисунке.

Не пользуйтесь сменными наконечниками (отвертками и головками) других типов.

Используйте штыревые биты, как показано на рисунке. Для установки биты просто вставьте ее в шпindelъ.

► Рис.10: 1. Штыревая бита 2. Шпindelъ

ПРИМЕЧАНИЕ:

- Если не вставить биту во втулку достаточно глубоко, втулка не возвратится в первоначальное положение, и бита не будет закреплена. В данном случае, попытайтесь повторно вставить биту в соответствии с инструкциями выше.

Крючок (дополнительное приспособление)

⚠ ВНИМАНИЕ:

- При установке крючка хорошо затяните винт. Несоблюдение этого требования может привести к повреждению инструмента и вызвать травму.

► Рис.11: 1. Паз 2. Винт 3. Крючок

Крючок используется для временного подвешивания инструмента. Он может быть установлен с любой стороны инструмента.

Для установки крючка, вставьте его в паз в корпусе инструмента с одной из сторон и закрепите его при помощи винта. Для снятия крючка, отверните винт и снимите крючок.

Регулировка угловой головки

Угловую головку можно регулировать в диапазоне 360° (8 положений с приращением в 45 градусов).

Для регулировки головки, ослабьте шестигранный болт и снимите угловую головку.

Установите угловую головку в нужное положение и заново установите ее таким образом, чтобы зубья корпуса совпадали с выемками в угловой головке. Затем затяните шестигранный болт для крепления угловой головки.

► Рис.12: 1. Болт с шестигранной головкой
2. Угловая головка

► Рис.13: 1. Паз 2. Зуб

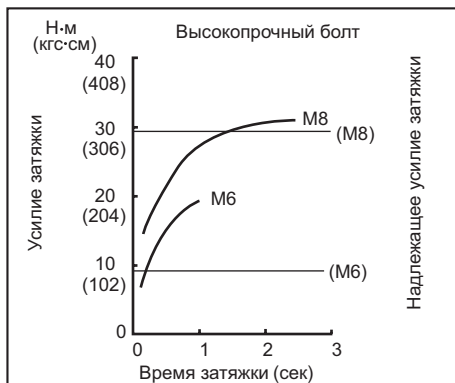
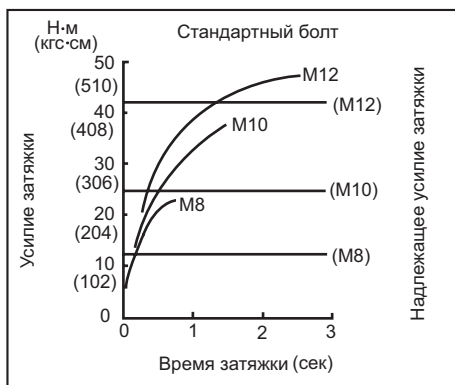
Простая головка и головка с трещоткой (принадлежности)

Прямые головки и головки с трещоткой предоставляются в качестве дополнительных принадлежностей для выполнения различных работ.

► Рис.14: 1. Прямая головка

► Рис.15: 1. Головка с трещоткой

ЭКСПЛУАТАЦИЯ



Соответствующий крутящий момент затяжки может отличаться в зависимости от типа или размера винта/болта, материала закрепляемой рабочей детали и т.д. Перед началом работы всегда выполняйте пробную операцию для определения надлежащего времени затяжки для Вашего винта.

► Рис.16

ПРИМЕЧАНИЕ:

- Пользуйтесь битой, подходящей для винта/головки, с которым Вы будете работать.
- Держите инструмент прямо по отношению к винту.
- Если инструмент эксплуатировался непрерывно до разряда блока аккумуляторов, сделайте перерыв на 15 минут перед началом работы с заряженным аккумулятором.

Крутящий момент затяжки зависит от множества различных факторов, включая следующее. После затяжки, проверяйте крутящий момент с помощью тарированного ключа.

1. Если блок аккумуляторов разряжен почти полностью, напряжение упадет, а крутящий момент уменьшится.
2. Отверточная или гнездовая бита
Использование отверточной или гнездовой биты неправильного размера приведет к уменьшению крутящего момента затяжки.
3. Болт
 - Даже несмотря на то, что коэффициент крутящего момента и класс болта одинаковы, соответствующий крутящий момент затяжки будет различным в зависимости от диаметра болта.
 - Даже несмотря на то, что диаметры болтов одинаковы, соответствующий крутящий момент затяжки будет различным в зависимости от коэффициента крутящего момента, класса и длины болта.
4. Способ удержания инструмента или материала в положении крепления повлияет на крутящий момент.
5. Эксплуатация инструмента на низкой скорости приведет к уменьшению крутящего момента затяжки.

ТЕХОБСЛУЖИВАНИЕ

ВНИМАНИЕ:

- Перед проведением проверки или работ по техобслуживанию, всегда проверяйте, что инструмент выключен, а блок аккумуляторов вынут.
- Запрещается использовать бензин, лигроин, растворитель, спирт и т.п. Это может привести к изменению цвета, деформации и появлению трещин.

Для обеспечения БЕЗОПАСНОСТИ и НАДЕЖНОСТИ оборудования, ремонт, любое другое техобслуживание или регулировку необходимо производить в уполномоченных сервис-центрах Makita, с использованием только сменных частей производства Makita.

ДОПОЛНИТЕЛЬНЫЕ ПРИНАДЛЕЖНОСТИ

ВНИМАНИЕ:

- Эти принадлежности или насадки рекомендуются использовать вместе с вашим инструментом Makita, описанным в данном руководстве. Использование каких-либо других принадлежностей или насадок может представлять опасность получения травм. Используйте принадлежность или насадку только по указанному назначению.

Если вам необходимо содействие в получении дополнительной информации по этим принадлежностям, свяжитесь со своим местным сервис-центром Makita.

- Бита Phillips
- Деталь биты
- Прямая головка
- Головка с трещоткой
- Гнездо
- Гнездовой переходник
- Различные типы оригинальных аккумуляторов и зарядных устройств Makita

ПРИМЕЧАНИЕ:

- Некоторые элементы списка могут входить в комплект инструмента в качестве стандартных приспособлений. Они могут отличаться в зависимости от страны.

Makita Europe N.V. Jan-Baptist Vinkstraat 2,
3070 Kortenberg, Belgium

Makita Corporation 3-11-8, Sumiyoshi-cho,
Anjo, Aichi 446-8502 Japan

www.makita.com

885276B983
EN, SV, NO, FI, LV,
LT, ET, RU
20190423