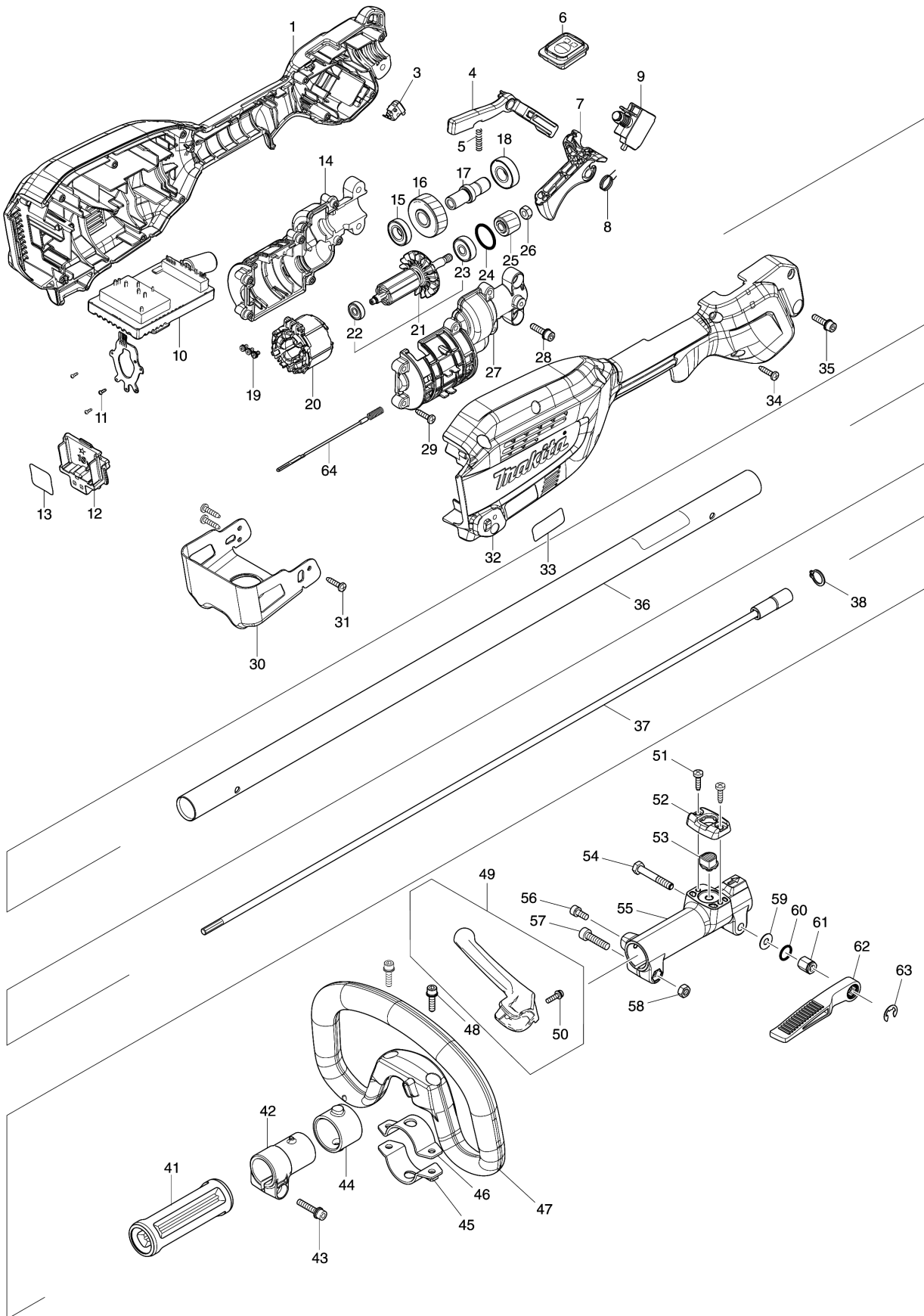


### Model No.DUX18 CRDLSS MULTI FNCTN POWER HEAD



## Model No.DUX18 CRDLSS MULTI FNCTN POWER HEAD

Nimike	Osanumero	Kuvaus	I/C numeromuutos	MÄÄRÄ	New/Old	Opt. 1	Opt. 2	HUOMAUTUS
001	183R81-8	GRIP HOUSING SET		1				
C10	263005-3	RUBBER PIN 6		2				
C20	931202-6	HEX. NUT M5		1				
D10		INC. 32						
003	632G61-0	SWITCH UNIT		1				
004	412863-6	LOCK OFF LEVER		1				
005	233101-1	COMPRESSION SPRING 4		1				
006	140W41-3	SWITCH CIRCUIT COMPLETE		1				
C10	8007N9-0	SWITCH LABEL		1				
007	459758-2	SWITCH LEVER		1				
008	233622-3	TORSION SPRING 12		1				
009	651494-8	SWITCH C3JW-1A-PA-2		1				
010	620D89-2	CONTROLLER		1				
011	266490-9	TAPPING SCREW PT 2X6		3				
012	644809-6	TERMINAL		1				
013	857X05-3	DUX18 SERIAL NO. LABEL		1				
014	183R80-0	MOTOR HOUSING SET		1				
C10	931202-6	HEX. NUT M5		2				
D10		INC. 27						
015	210243-8	BALL BEARING 6901ZZ		1				
016	227848-7	HELICAL GEAR 33		1				
017	327719-9	SPINDLE HUB		1				
018	210244-6	BALL BEARING 6001ZZ		1				
019	652069-6	FLAT HEAD SCREW M3X6		3				
020	629A28-1	STATOR		1				
021	519654-7	ROTOR ASS'Y		1				
D10		INC. 22,23						
022	210235-7	BALL BEARING 625ZZ		1				
023	210236-5	BALL BEARING 627ZZ		1				
024	213843-3	O-RING 21		1				
025	227849-5	HELICAL GEAR 16		1				
026	252153-3	HEX. NUT M6-10		1				
027	183R80-0	MOTOR HOUSING SET		1				
C10	931202-6	HEX. NUT M5		2				
D10		INC. 14						
028	922234-4	H.S.H.BOLT M5X20 WITH WG		2				
029	266326-2	TAPPING SCREW 4X18		6				
030	347765-6	BATTERY GUARD		1				
031	266326-2	TAPPING SCREW 4X18		3				
032	183R81-8	GRIP HOUSING SET		1				
C10	263005-3	RUBBER PIN 6		2				

Please order the parts with part number.

Print Date 6/10/2020

## Model No.DUX18 CRDLSS MULTI FNCTN POWER HEAD

Nimike	Osanumero	Kuvaus	I/C numeromuutos	MÄÄRÄ	New/Old	Opt. 1	Opt. 2	HUOMAUTUS
C20	931202-6	HEX. NUT M5		1				
D10		INC. 1						
033	857W99-2	DUX18 NAME PLATE		1				
034	266326-2	TAPPING SCREW 4X18		10				
035	922234-4	H.S.H.BOLT M5X20 WITH WG		1				
036	140X34-6	SHAFT PIPE B COMPLETE		1				
C10	8029L8-6	CAUTION LABEL		1				
037	141238-9	SHAFT B COMPLETE		1				
038	961052-5	RETAINING RING S-12		1				
041	451601-1	SPACER 24		1				
042	457269-1	PIPE HOLDER 24		1				
043	922244-1	H.S.H.BOLT M5X25 WITH WG		1				
044	424942-8	DAMPER		1				
045	347114-7	LOWER CLAMP 35		1				
046	347113-9	UPPER CLAMP 35		1				
047	457772-2	LOOP HANDLE		1				
C10	263005-3	RUBBER PIN 6		1				
048	922234-4	H.S.H.BOLT M5X20 WITH WG		2				
049	144315-6	BARRIER COMPLETE		1				
D10		INC. 50						
050	911128-8	P.H.SCREW M4X16 WITH WR		1				
051	266034-5	TAPPING SCREW CT 4X16		2				
052	452840-6	RELEASE BUTTON COVER		1				
053	452839-1	RELEASE BUTTON		1				
054	265596-0	HEX.BOLT M6X40		1				
055	318750-6	JOINT 24		1				
056	922211-6	H.S.H.BOLT M5X12 WITH W		1				
057	922342-1	HEX. SOCKET HEAD BOLT M6X25		1				
058	931302-2	HEX. NUT M6		1				
059	253332-6	THIN WASHER 6		1				
060	213105-9	O RING 11		1				
061	252159-1	HEX. NUT M6		1				
062	272268-0	LEVER 94		1				
063	961014-3	STOP RING E-8		1				
064	632R79-7	LEAD UNIT		1				
A01	127508-0	BAND ASS'Y		1				
A03	783202-0	HEX. WRENCH 4		1				
A04	831304-7	ACCESSORY BAG		1				

Please order the parts with part number.

Print Date 6/10/2020