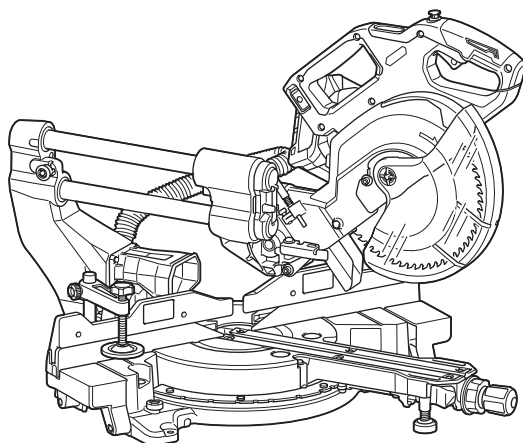




EN	Cordless Slide Compound Miter Saw	INSTRUCTION MANUAL	15
SL	Brezžična drsna sestavljena zajeralna žaga	NAVODILA ZA UPORABO	34
SQ	Sharrë me bateri për prerje me kënd për profile me rrëshqitje	MANUALI I PËRDORIMIT	54
BG	Акумулаторен циркуляр за рязане под ъгъл	РЪКОВОДСТВО ЗА ЕКСПЛОАТАЦИЯ	76
HR	Bežična potezno-nagibna pila	PRIRUČNIK S UPUTAMA	100
MK	Безжична потезна комбинирана аголна пила	УПАТСТВО ЗА УПОТРЕБА	120
SR	Бежична клизна комбинована угаона тестера	УПУТСТВО ЗА УПОТРЕБУ	144
RO	Ferăstrău pentru tăieri oblice combinate, fără cablu	MANUAL DE INSTRUCȚIUNI	166
UK	Акумуляторна пересувна комбінована пила для різання під кутом	ІНСТРУКЦІЯ З ЕКСПЛУАТАЦІЇ	188
RU	Аккумуляторная Торцовочная Пила Консольного Типа	РУКОВОДСТВО ПО ЭКСПЛУАТАЦИИ	211

## LS002G



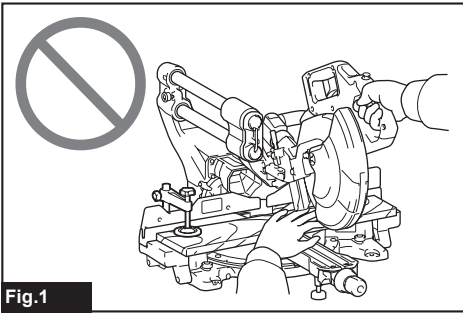


Fig.1

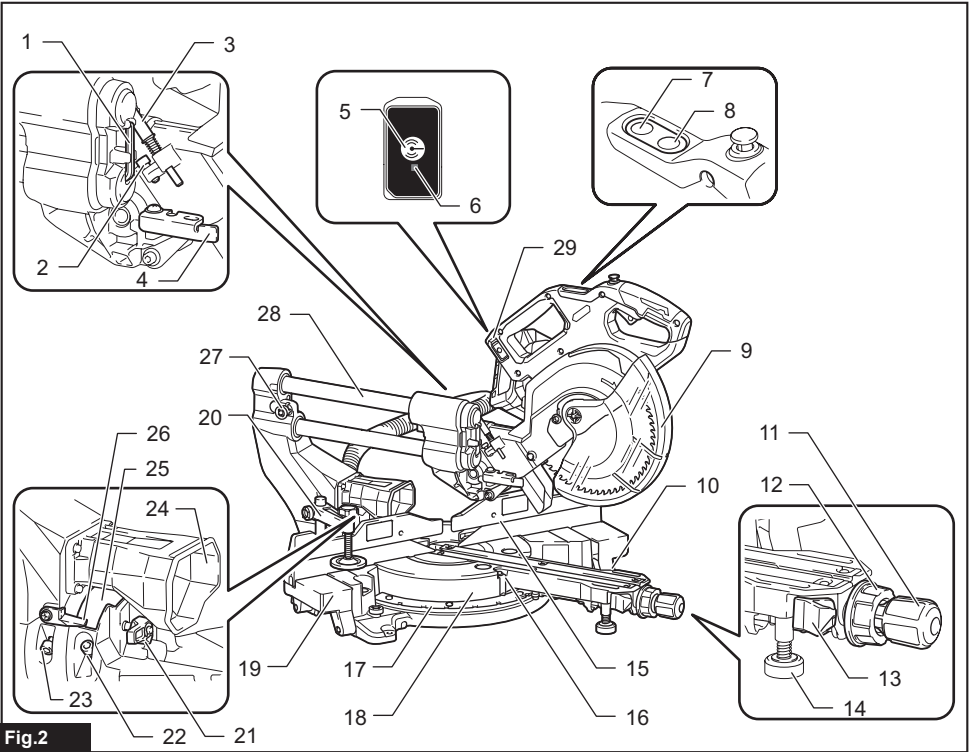
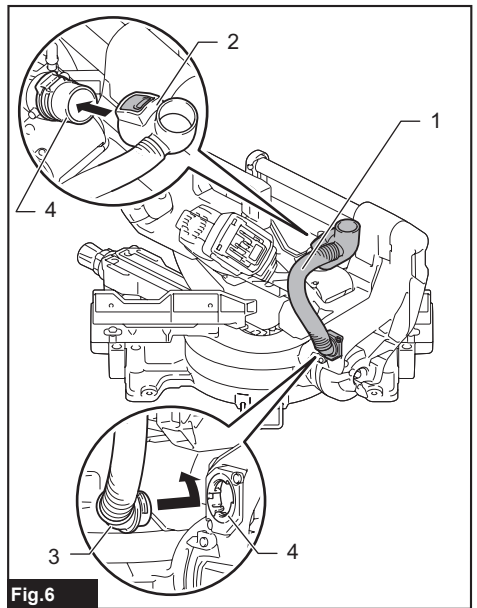
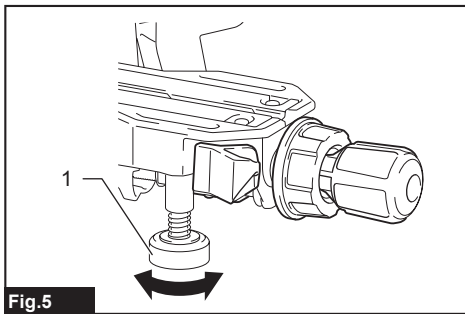
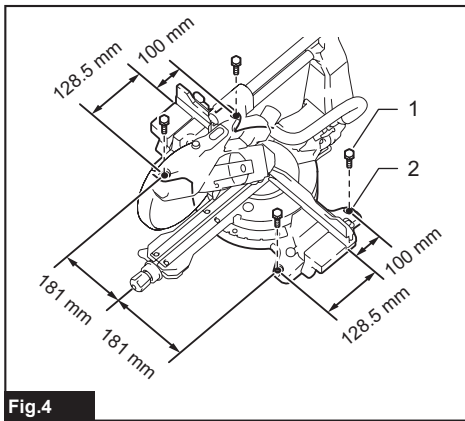
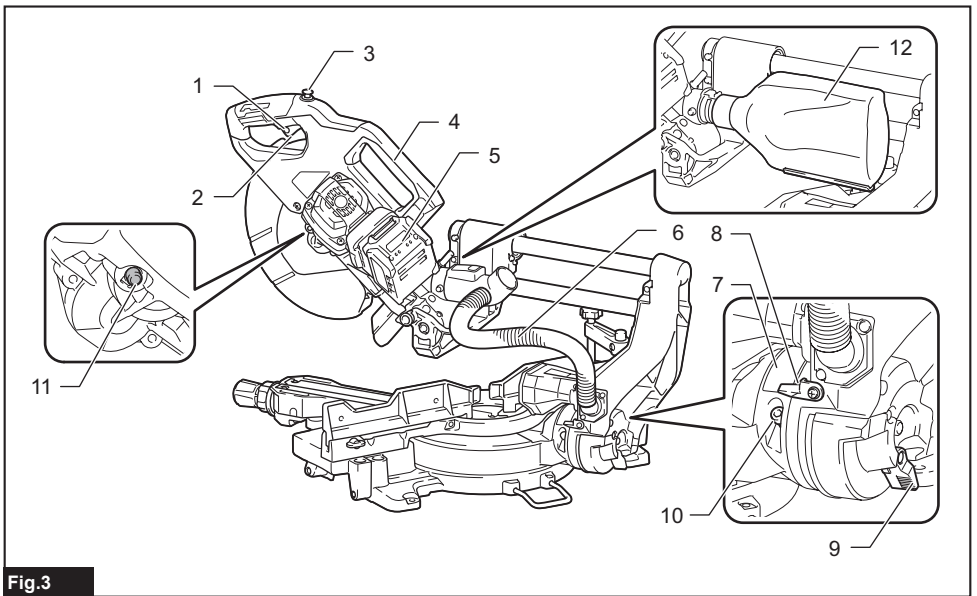


Fig.2



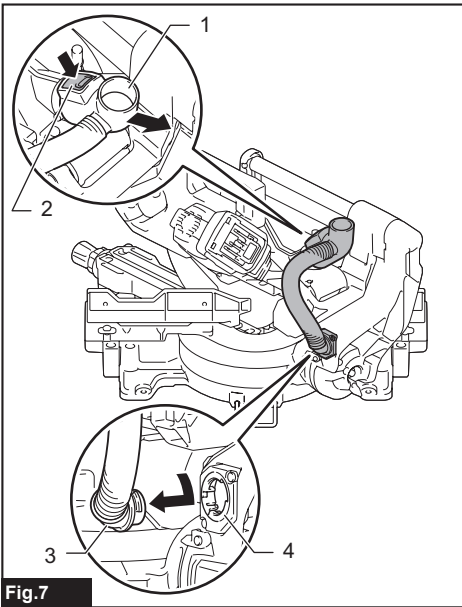


Fig.7

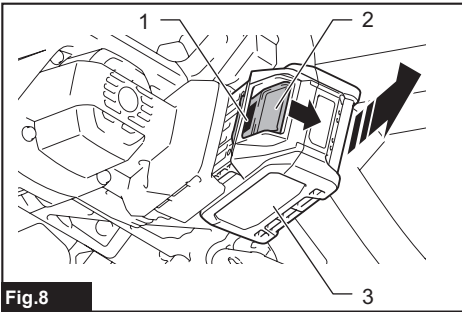


Fig.8

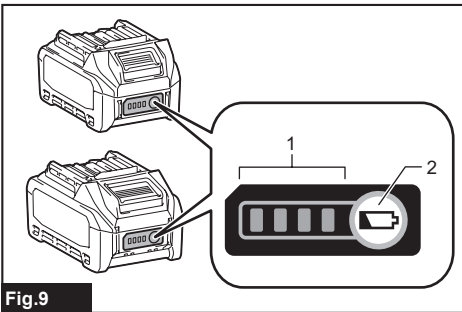


Fig.9

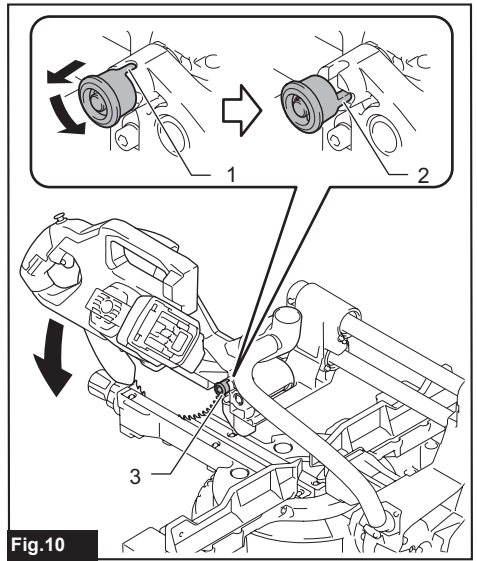


Fig.10

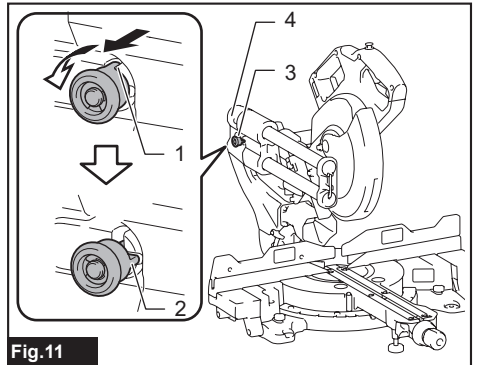


Fig.11

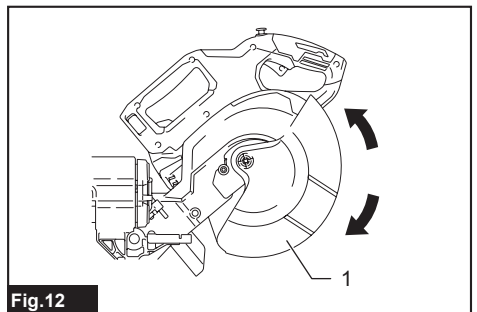


Fig.12

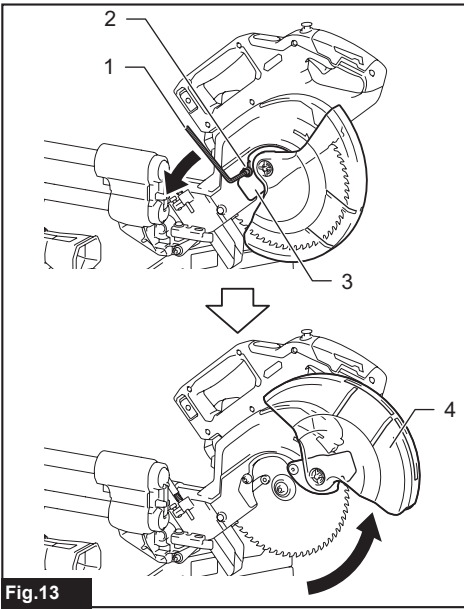


Fig. 13

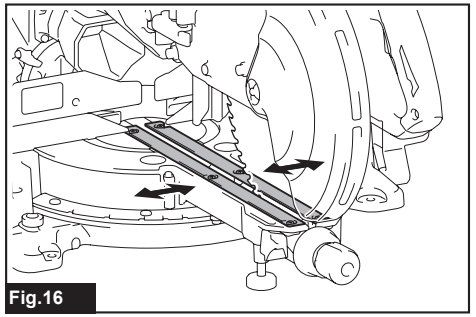


Fig. 16

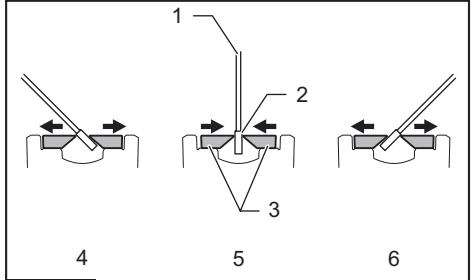


Fig. 17

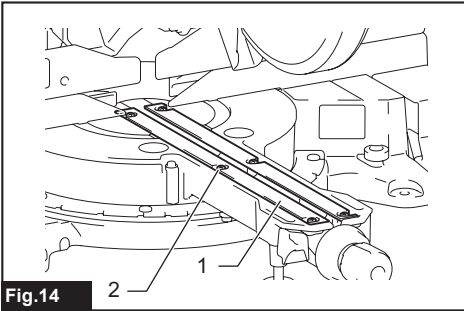


Fig. 14

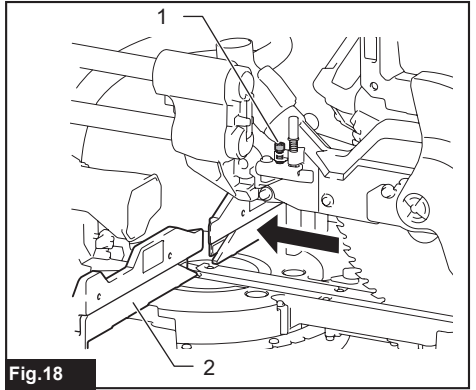


Fig. 18

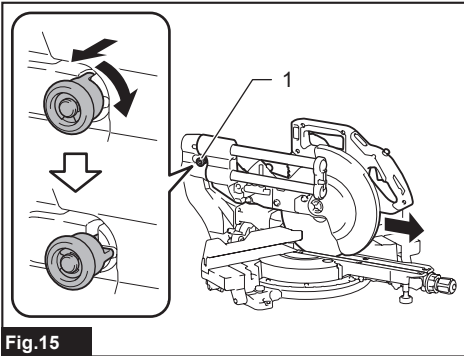


Fig. 15

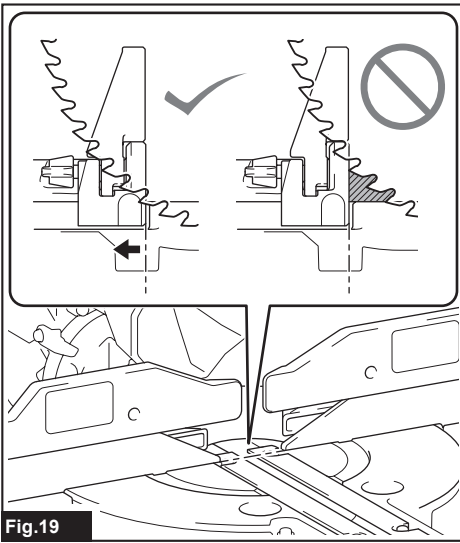


Fig.19

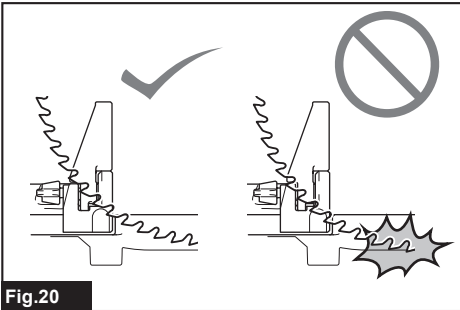


Fig.20

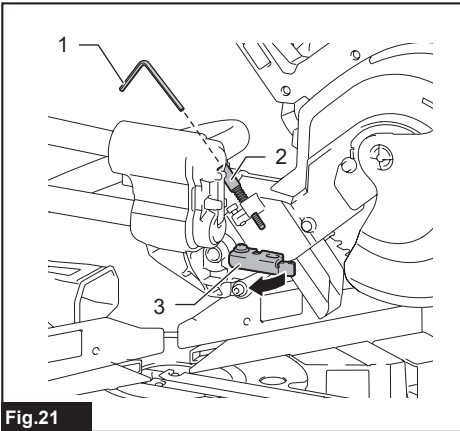


Fig.21

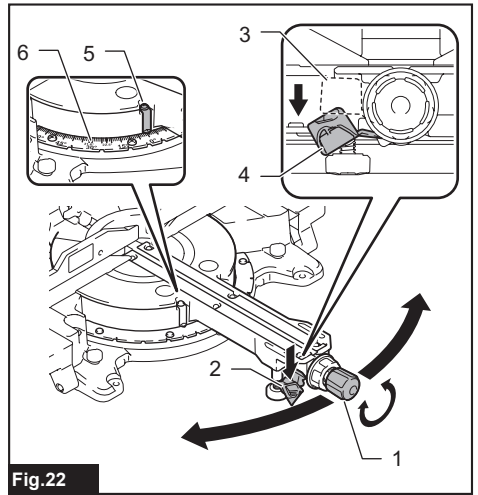


Fig.22

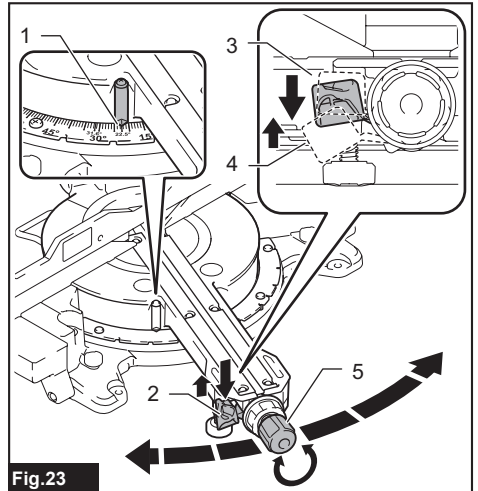


Fig.23

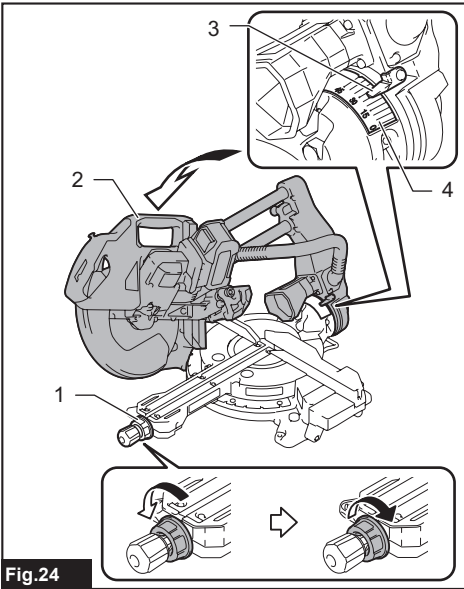


Fig.24

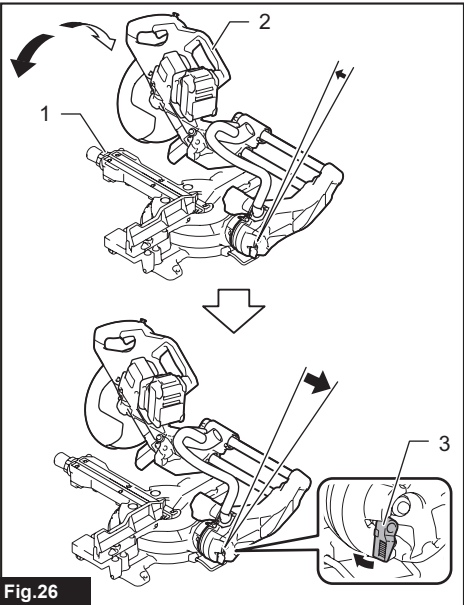


Fig.26

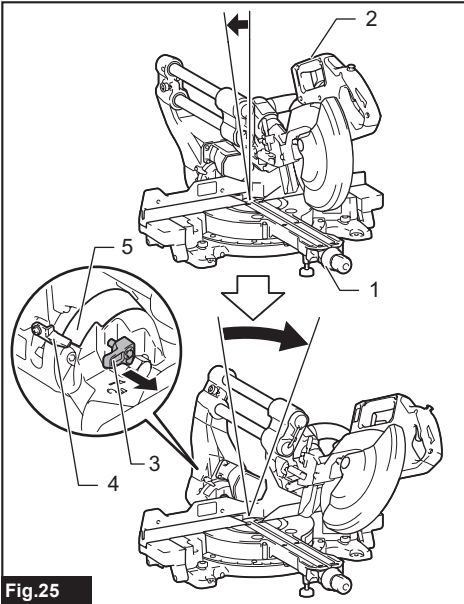


Fig.25

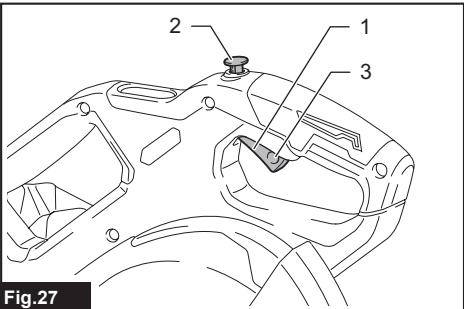


Fig.27

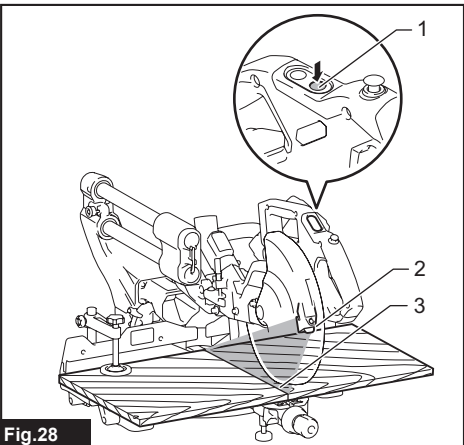


Fig.28

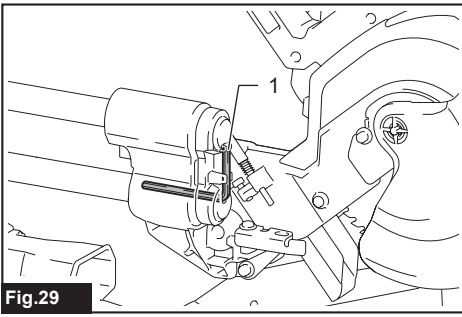


Fig. 29

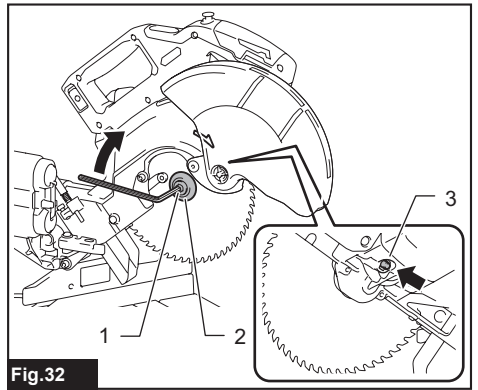


Fig. 32

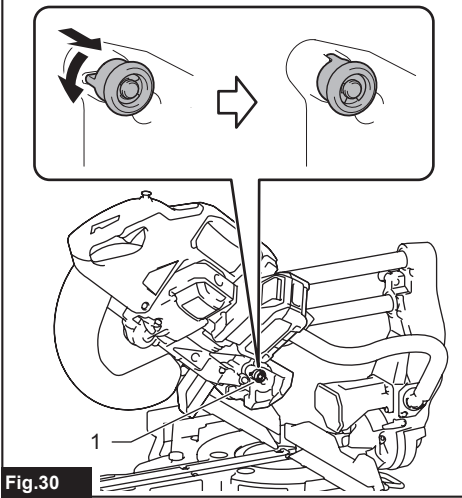


Fig. 30

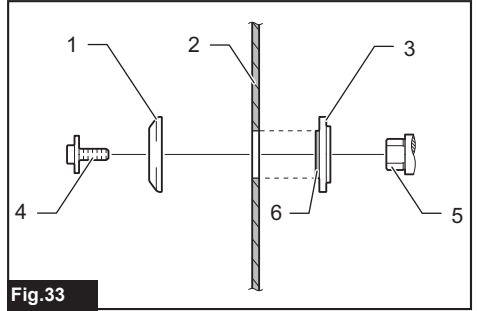


Fig. 33

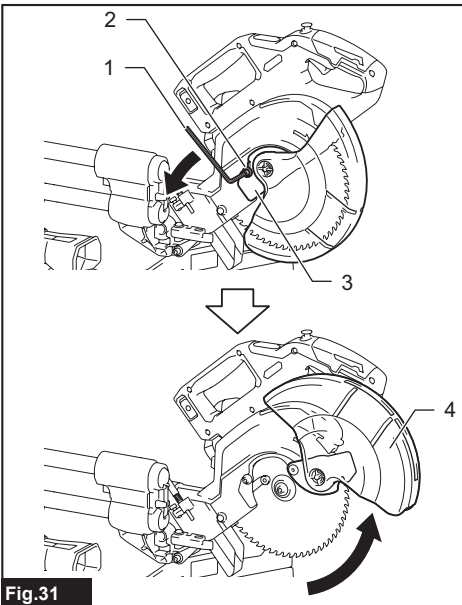


Fig. 31

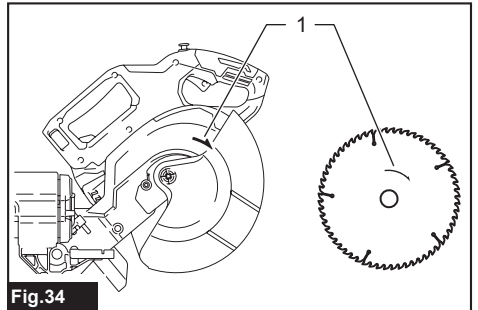


Fig. 34

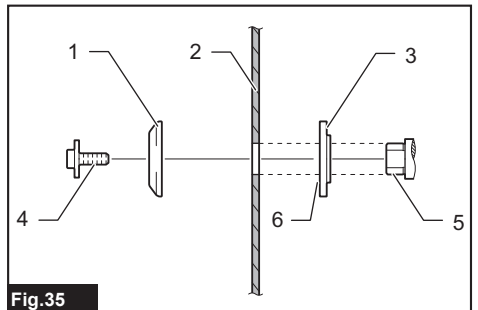


Fig. 35



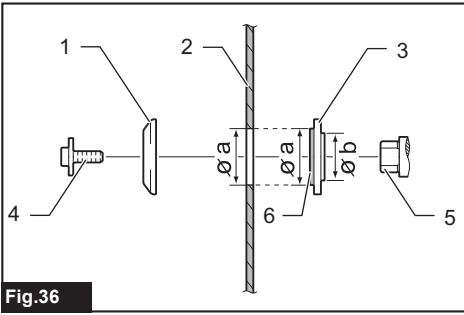


Fig.36

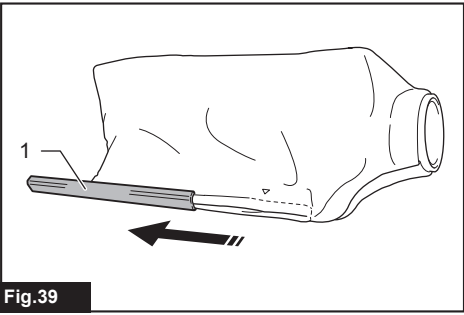


Fig.39

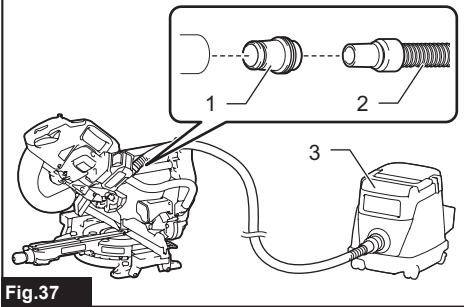


Fig.37

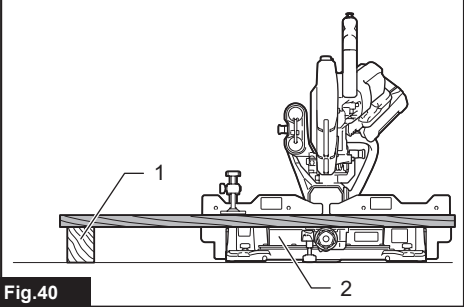


Fig.40

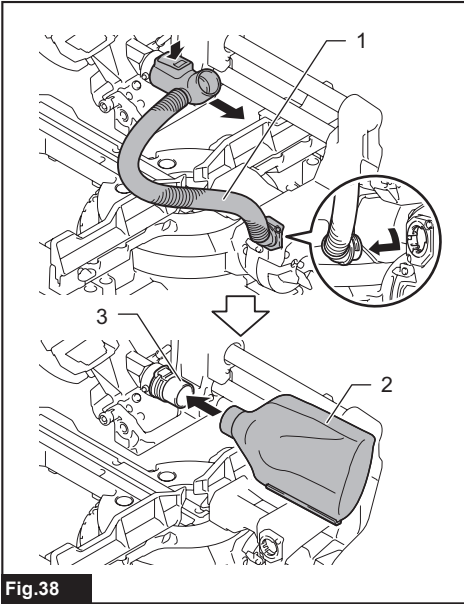


Fig.38

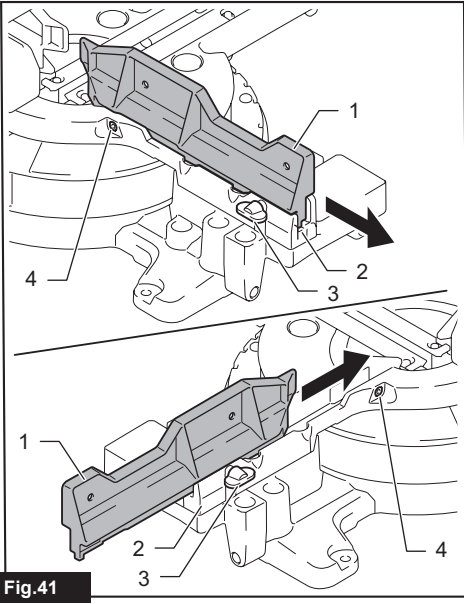


Fig.41

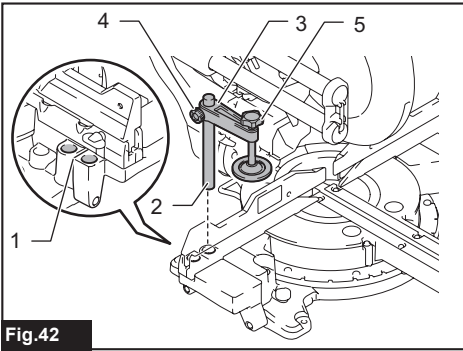


Fig.42

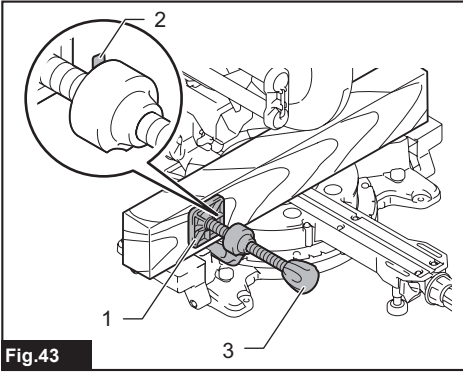


Fig.43

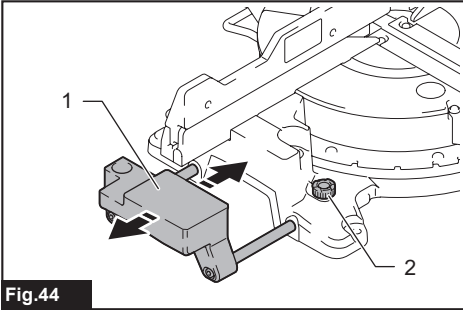


Fig.44

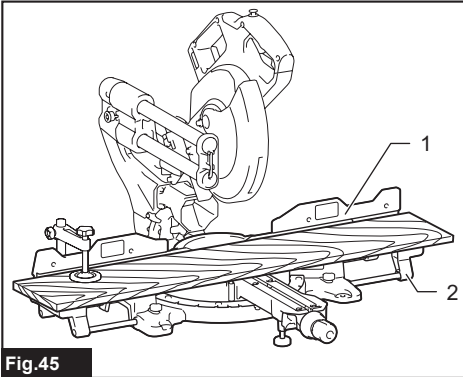


Fig.45

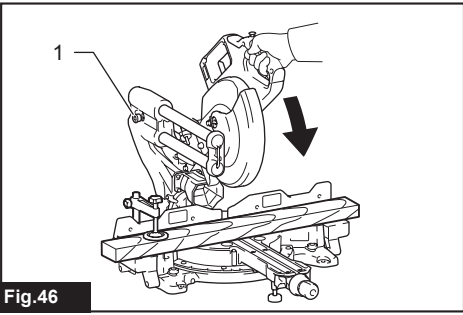


Fig.46

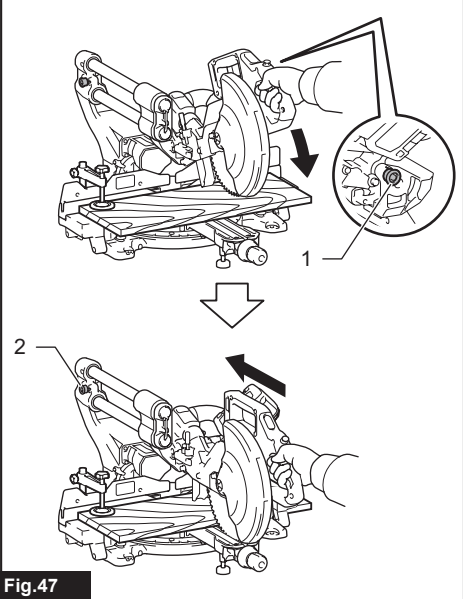


Fig.47

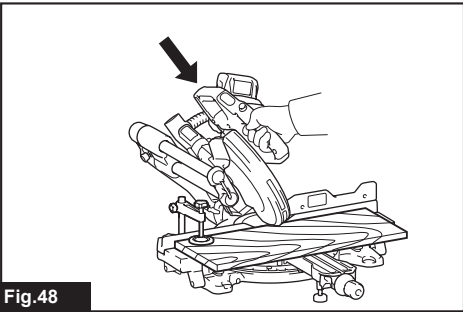
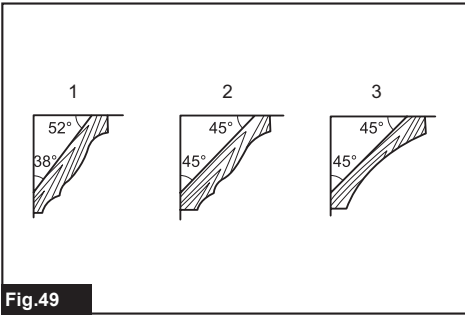
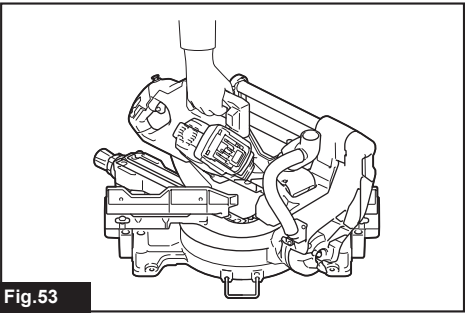


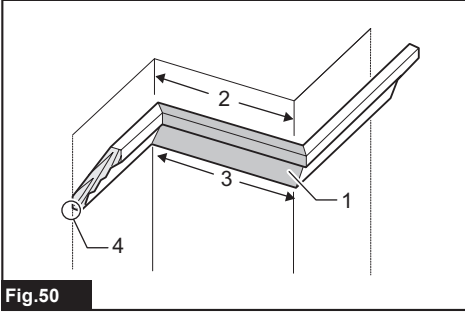
Fig.48



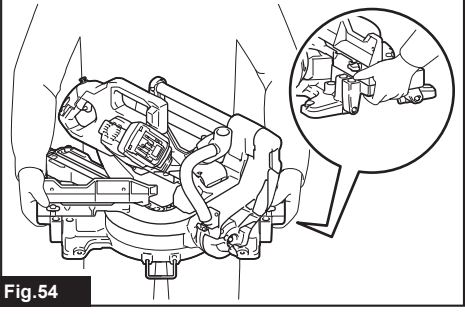
**Fig.49**



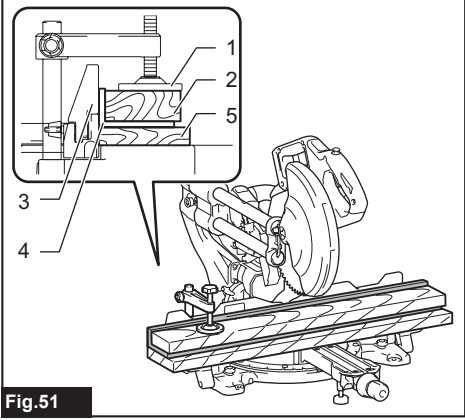
**Fig.53**



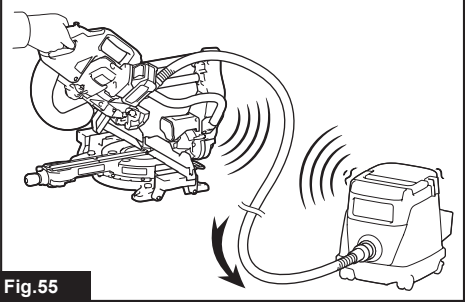
**Fig.50**



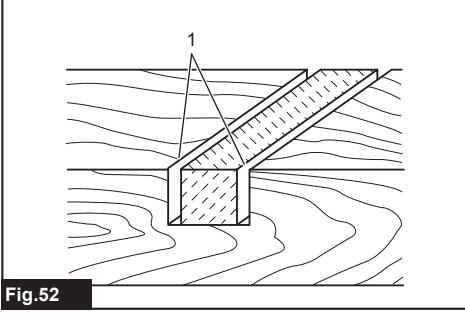
**Fig.54**



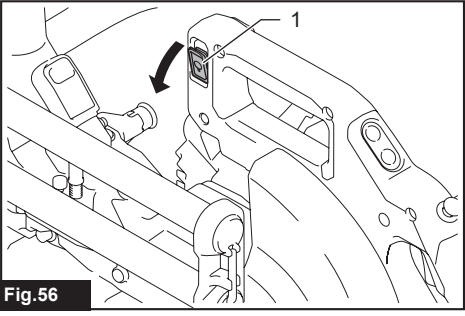
**Fig.51**



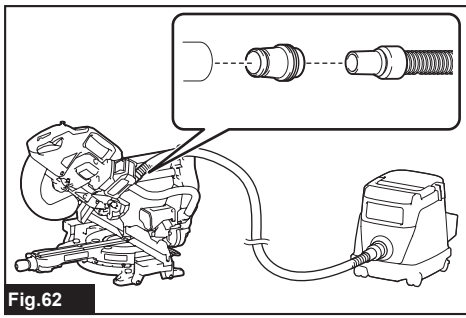
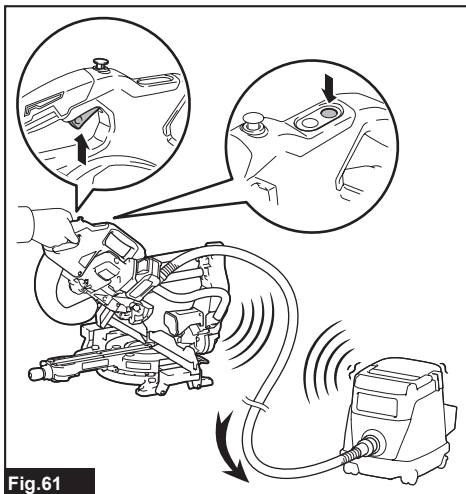
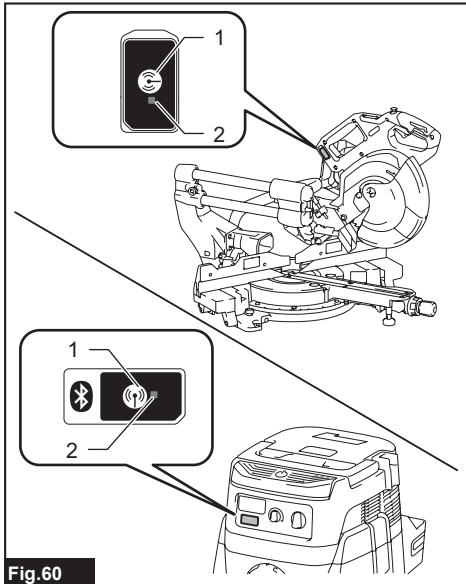
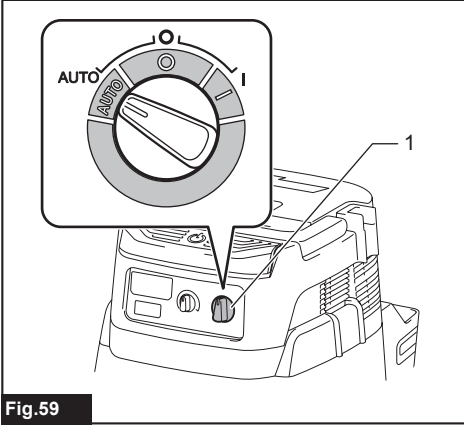
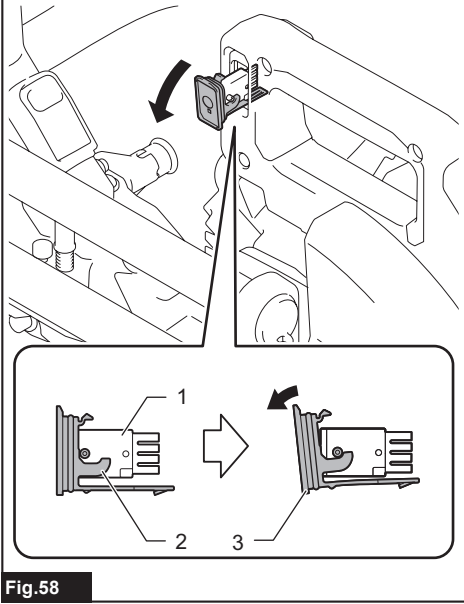
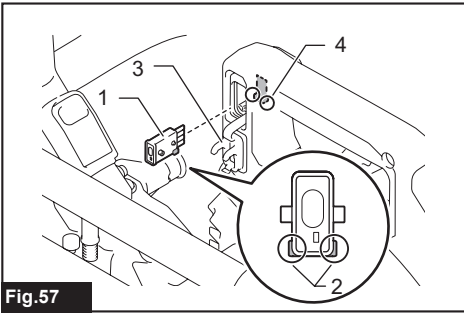
**Fig.55**



**Fig.52**



**Fig.56**



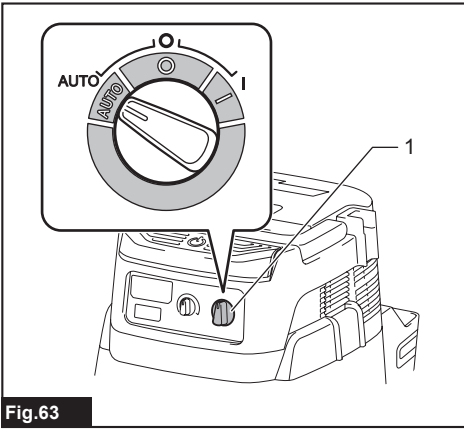


Fig.63

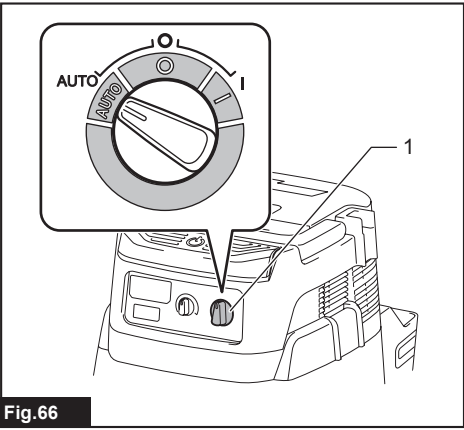


Fig.66

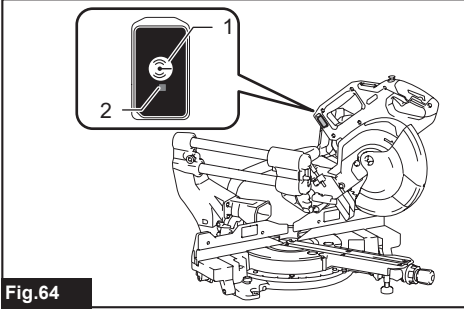


Fig.64

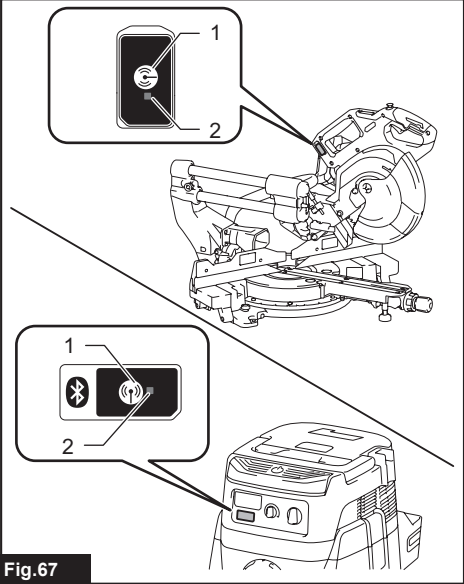


Fig.67

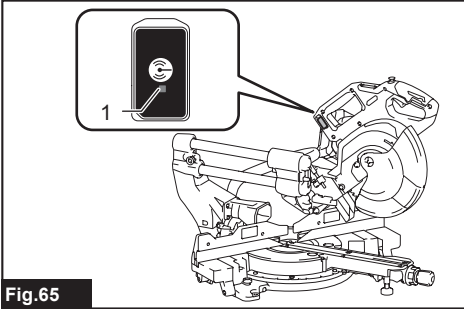


Fig.65

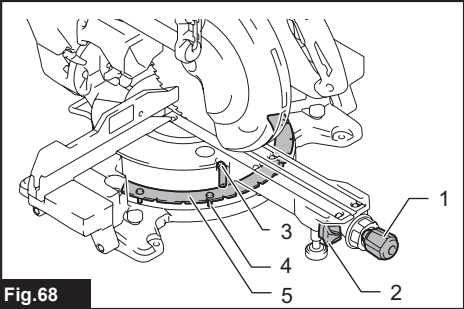


Fig.68

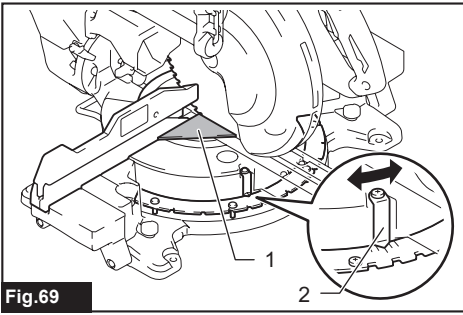


Fig.69

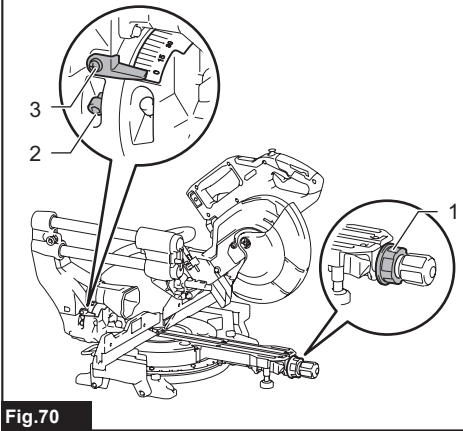


Fig.70

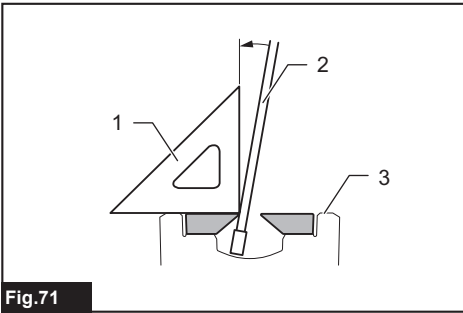


Fig.71

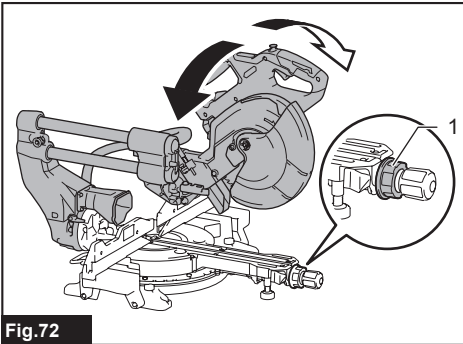


Fig.72

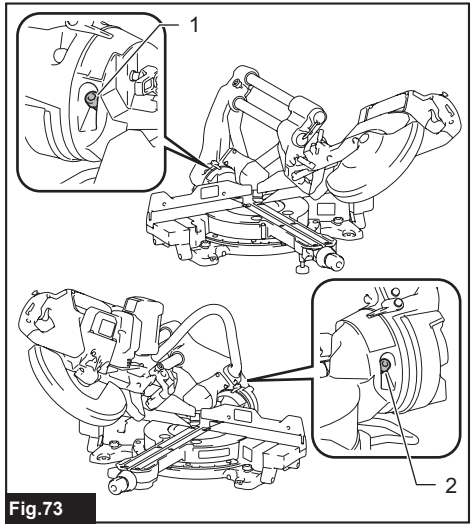


Fig.73

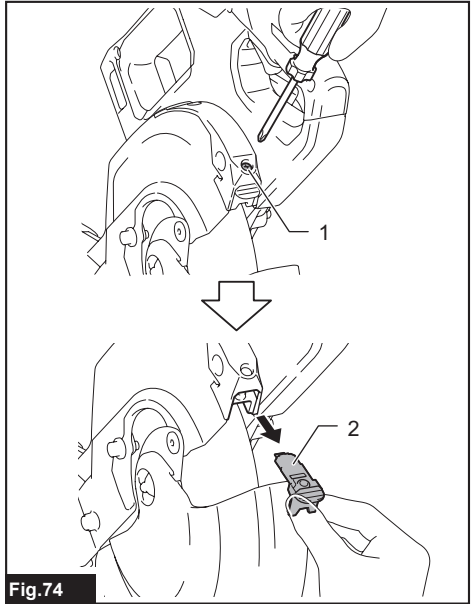


Fig.74

# SPECIFICATIONS

<b>Model:</b>	<b>LS002G</b>
Blade diameter	216 mm
Hole (arbor) diameter (country specific)	15.88 mm / 25.4 mm / 30 mm
Max. kerf thickness of the saw blade	2.4 mm
Max. miter angle	Left 60°, Right 60°
Max. bevel angle	Left 48°, Right 48°
No load speed	4,800 min <sup>-1</sup>
Dimensions (L x W x H)	702 mm x 551 mm x 557 mm
Rated voltage	D.C. 36 V - 40 V max
Net weight	16.4 - 17.0 kg

- Due to our continuing program of research and development, the specifications herein are subject to change without notice.
- Specifications may differ from country to country.
- The weight may differ depending on the attachment(s), including the battery cartridge. The lightest and heaviest combination, according to EPTA-Procedure 01/2014, are shown in the table.

## Applicable battery cartridge and charger

Battery cartridge	BL4025 / BL4040
Charger	DC40RA

- Some of the battery cartridges and chargers listed above may not be available depending on your region of residence.






**⚠WARNING:** Only use the battery cartridges and chargers listed above. Use of any other battery cartridges and chargers may cause injury and/or fire.





## Cutting capacities (H x W) with blade 216 mm in diameter

Miter angle	Bevel angle		
	45° (left)	0°	45° (right)
0°	50 mm x 312 mm	70 mm x 312 mm	30 mm x 312 mm
45° (left and right)	50 mm x 220 mm	70 mm x 220 mm	30 mm x 220 mm
60° (left and right)	–	70 mm x 155 mm	–

## Symbols

The followings show the symbols which may be used for the equipment. Be sure that you understand their meaning before use.

	Read instruction manual.
	To avoid injury from flying debris, keep holding the saw head down, after making cuts, until the blade has come to a complete stop.
	When performing slide cut, first pull carriage fully and press down handle, then push carriage toward the guide fence.
	When performing bevel cut, first loosen the grip dial and tilt the carriage to the desired angle, then tighten the grip dial.
	When tilting the blade beyond the range 0° - 45°, turn the releasing lever for 48° bevel angle in clockwise direction.

	Do not place hand or fingers close to the blade.
	Wear safety glasses.
	Do not stare at operating lamp.
 Ni-MH Li-ion	Only for EU countries Do not dispose of electric equipment or battery pack together with household waste material! In observance of the European Directives, on Waste Electric and Electronic Equipment and Batteries and Accumulators and Waste Batteries and Accumulators and their implementation in accordance with national laws, electric equipment and batteries and battery pack(s) that have reached the end of their life must be collected separately and returned to an environmentally compatible recycling facility.

## Intended use

The tool is intended for accurate straight and miter cutting in wood. With appropriate saw blades, aluminum can also be sawed.

Do not use the saw to cut other than wood, aluminum or similar materials.

## Noise

The typical A-weighted noise level determined according to EN62841-3-9:

Sound pressure level ( $L_{pA}$ ): 89 dB(A)

Sound power level ( $L_{WA}$ ): 100 dB (A)

Uncertainty (K): 3 dB(A)

**NOTE:** The declared noise emission value(s) has been measured in accordance with a standard test method and may be used for comparing one tool with another.

**NOTE:** The declared noise emission value(s) may also be used in a preliminary assessment of exposure.

**⚠ WARNING:** Wear ear protection.

**⚠ WARNING:** The noise emission during actual use of the power tool can differ from the declared value(s) depending on the ways in which the tool is used especially what kind of workpiece is processed.

**⚠ WARNING:** Be sure to identify safety measures to protect the operator that are based on an estimation of exposure in the actual conditions of use (taking account of all parts of the operating cycle such as the times when the tool is switched off and when it is running idle in addition to the trigger time).

## EC Declaration of Conformity

### For European countries only

The EC declaration of conformity is included as Annex A to this instruction manual.

## SAFETY WARNINGS

### General power tool safety warnings

**⚠ WARNING:** Read all safety warnings, instructions, illustrations and specifications provided with this power tool. Failure to follow all instructions listed below may result in electric shock, fire and/or serious injury.

### Save all warnings and instructions for future reference.

The term "power tool" in the warnings refers to your mains-operated (corded) power tool or battery-operated (cordless) power tool.

## Safety instructions for mitre saws

- Mitre saws are intended to cut wood or wood-like products, they cannot be used with abrasive cut-off wheels for cutting ferrous material such as bars, rods, studs, etc.** Abrasive dust causes moving parts such as the lower guard to jam. Sparks from abrasive cutting will burn the lower guard, the kerf insert and other plastic parts.
- Use clamps to support the workpiece whenever possible. If supporting the workpiece by hand, you must always keep your hand at least 100 mm from either side of the saw blade. Do not use this saw to cut pieces that are too small to be securely clamped or held by hand.** If your hand is placed too close to the saw blade, there is an increased risk of injury from blade contact.
- The workpiece must be stationary and clamped or held against both the fence and the table. Do not feed the workpiece into the blade or cut "freehand" in any way.** Unrestrained or moving workpieces could be thrown at high speeds, causing injury.
- Push the saw through the workpiece. Do not pull the saw through the workpiece. To make a cut, raise the saw head and pull it out over the workpiece without cutting, start the motor, press the saw head down and push the saw through the workpiece.** Cutting on the pull stroke is likely to cause the saw blade to climb on top of the workpiece and violently throw the blade assembly towards the operator.
- Never cross your hand over the intended line of cutting either in front or behind the saw blade.** Supporting the workpiece "cross handed" i.e. holding the workpiece to the right of the saw blade with your left hand or vice versa is very dangerous.  
► Fig.1
- Do not reach behind the fence with either hand closer than 100 mm from either side of the saw blade, to remove wood scraps, or for any other reason while the blade is spinning.** The proximity of the spinning saw blade to your hand may not be obvious and you may be seriously injured.
- Inspect your workpiece before cutting. If the workpiece is bowed or warped, clamp it with the outside bowed face toward the fence. Always make certain that there is no gap between the workpiece, fence and table along the line of the cut.** Bent or warped workpieces can twist or shift and may cause binding on the spinning saw blade while cutting. There should be no nails or foreign objects in the workpiece.
- Do not use the saw until the table is clear of all tools, wood scraps, etc., except for the workpiece.** Small debris or loose pieces of wood or other objects that contact the revolving blade can be thrown with high speed.
- Cut only one workpiece at a time.** Stacked multiple workpieces cannot be adequately clamped or braced and may bind on the blade or shift during cutting.
- Ensure the mitre saw is mounted or placed on a level, firm work surface before use.** A level and firm work surface reduces the risk of the mitre saw becoming unstable.



11. **Plan your work. Every time you change the bevel or mitre angle setting, make sure the adjustable fence is set correctly to support the workpiece and will not interfere with the blade or the guarding system.** Without turning the tool "ON" and with no workpiece on the table, move the saw blade through a complete simulated cut to assure there will be no interference or danger of cutting the fence.
12. **Provide adequate support such as table extensions, saw horses, etc. for a workpiece that is wider or longer than the table top.** Workpieces longer or wider than the mitre saw table can tip if not securely supported. If the cut-off piece or workpiece tips, it can lift the lower guard or be thrown by the spinning blade.
13. **Do not use another person as a substitute for a table extension or as additional support.** Unstable support for the workpiece can cause the blade to bind or the workpiece to shift during the cutting operation pulling you and the helper into the spinning blade.
14. **The cut-off piece must not be jammed or pressed by any means against the spinning saw blade.** If confined, i.e. using length stops, the cut-off piece could get wedged against the blade and thrown violently.
15. **Always use a clamp or a fixture designed to properly support round material such as rods or tubing.** Rods have a tendency to roll while being cut, causing the blade to "bite" and pull the work with your hand into the blade.
16. **Let the blade reach full speed before contacting the workpiece.** This will reduce the risk of the workpiece being thrown.
17. **If the workpiece or blade becomes jammed, turn the mitre saw off. Wait for all moving parts to stop and disconnect the plug from the power source and/or remove the battery pack. Then work to free the jammed material.** Continued sawing with a jammed workpiece could cause loss of control or damage to the mitre saw.
18. **After finishing the cut, release the switch, hold the saw head down and wait for the blade to stop before removing the cut-off piece.** Reaching with your hand near the coasting blade is dangerous.
19. **Hold the handle firmly when making an incomplete cut or when releasing the switch before the saw head is completely in the down position.** The braking action of the saw may cause the saw head to be suddenly pulled downward, causing a risk of injury.
20. **Only use the saw blade with the diameter that is marked on the tool or specified in the manual.** Use of an incorrectly sized blade may affect the proper guarding of the blade or guard operation which could result in serious personal injury.
21. **Only use the saw blades that are marked with a speed equal or higher than the speed marked on the tool.**
22. **Do not use the saw to cut other than wood, aluminum or similar materials.**
23. **(For European countries only) Always use the blade which conforms to EN847-1.**

#### Additional instructions

1. **Make workshop kid proof with padlocks.**
2. **Never stand on the tool.** Serious injury could occur if the tool is tipped or if the cutting tool is unintentionally contacted.
3. **Never leave the tool running unattended. Turn the power off. Do not leave tool until it comes to a complete stop.**
4. **Do not operate saw without guards in place. Check blade guard for proper closing before each use. Do not operate saw if blade guard does not move freely and close instantly. Never clamp or tie the blade guard into the open position.**
5. **Keep hands out of path of saw blade. Avoid contact with any coasting blade. It can still cause severe injury.**
6. **To reduce the risk of injury, return carriage to the full rear position after each crosscut operation.**
7. **Always secure all moving portions before carrying the tool.**
8. **Stopper pin or stopper lever which locks the saw head down is for carrying and storage purposes only and not for any cutting operations.**
9. **Check the blade carefully for cracks or damage before operation. Replace cracked or damaged blade immediately. Gum and wood pitch hardened on blades slows saw and increases potential for kickback. Keep blade clean by first removing it from tool, then cleaning it with gum and pitch remover, hot water or kerosene. Never use gasoline to clean blade.**
10. **While making a slide cut, KICKBACK can occur. KICKBACK occurs when the blade binds in the workpiece during a cutting operation and the saw blade is driven rapidly towards the operator. Loss of control and serious personal injury can result. If blade begins to bind during a cutting operation, do not continue to cut and release switch immediately.**
11. **Use only flanges specified for this tool.**
12. **Be careful not to damage the arbor, flanges (especially the installing surface) or bolt. Damage to these parts could result in blade breakage.**
13. **Make sure that the turn base is properly secured so it will not move during operation. Use the holes in the base to fasten the saw to a stable work platform or bench. NEVER use tool where operator positioning would be awkward.**
14. **Make sure the shaft lock is released before the switch is turned on.**
15. **Be sure that the blade does not contact the turn base in the lowest position.**
16. **Hold the handle firmly. Be aware that the saw moves up or down slightly during start-up and stopping.**
17. **Make sure the blade is not contacting the workpiece before the switch is turned on.**
18. **Before using the tool on an actual workpiece, let it run for a while. Watch for vibration or wobbling that could indicate poor installation or a poorly balanced blade.**

19. **Stop operation immediately if you notice anything abnormal.**
20. **Do not attempt to lock the trigger in the "ON" position.**
21. **Always use accessories recommended in this manual. Use of improper accessories such as abrasive wheels may cause an injury.**
22. **Some material contains chemicals which may be toxic. Take caution to prevent dust inhalation and skin contact. Follow material supplier safety data.**
23. **Do not use a corded power supply with this tool.**
10. **The contained lithium-ion batteries are subject to the Dangerous Goods Legislation requirements.** For commercial transports e.g. by third parties, forwarding agents, special requirement on packaging and labeling must be observed. For preparation of the item being shipped, consulting an expert for hazardous material is required. Please also observe possibly more detailed national regulations.  
Tape or mask off open contacts and pack up the battery in such a manner that it cannot move around in the packaging.

#### Additional safety rules for operating lamp

1. **Do not look in the light or see the source of light directly.**

## SAVE THESE INSTRUCTIONS.

**⚠WARNING:** DO NOT let comfort or familiarity with product (gained from repeated use) replace strict adherence to safety rules for the subject product. MISUSE or failure to follow the safety rules stated in this instruction manual may cause serious personal injury.

### Important safety instructions for battery cartridge

1. **Before using battery cartridge, read all instructions and cautionary markings on (1) battery charger, (2) battery, and (3) product using battery.**
2. **Do not disassemble or tamper the battery cartridge.** It may result in a fire, excessive heat, or explosion.
3. **If operating time has become excessively shorter, stop operating immediately.** It may result in a risk of overheating, possible burns and even an explosion.
4. **If electrolyte gets into your eyes, rinse them out with clear water and seek medical attention right away.** It may result in loss of your eyesight.
5. **Do not short the battery cartridge:**
  - (1) **Do not touch the terminals with any conductive material.**
  - (2) **Avoid storing battery cartridge in a container with other metal objects such as nails, coins, etc.**
  - (3) **Do not expose battery cartridge to water or rain.**

A battery short can cause a large current flow, overheating, possible burns and even a breakdown.

6. **Do not store and use the tool and battery cartridge in locations where the temperature may reach or exceed 50 °C (122 °F).**
7. **Do not incinerate the battery cartridge even if it is severely damaged or is completely worn out.** The battery cartridge can explode in a fire.
8. **Do not nail, cut, crush, throw, drop the battery cartridge, or hit against a hard object to the battery cartridge.** Such conduct may result in a fire, excessive heat, or explosion.
9. **Do not use a damaged battery.**

11. **When disposing the battery cartridge, remove it from the tool and dispose of it in a safe place.** Follow your local regulations relating to disposal of battery.
12. **Use the batteries only with the products specified by Makita.** Installing the batteries to non-compliant products may result in a fire, excessive heat, explosion, or leak of electrolyte.
13. **If the tool is not used for a long period of time, the battery must be removed from the tool.**
14. **During and after use, the battery cartridge may take on heat which can cause burns or low temperature burns.** Pay attention to the handling of hot battery cartridges.
15. **Do not touch the terminal of the tool immediately after use as it may get hot enough to cause burns.**
16. **Do not allow chips, dust, or soil stuck into the terminals, holes, and grooves of the battery cartridge.** It may result in poor performance or breakdown of the tool or battery cartridge.
17. **Unless the tool supports the use near high-voltage electrical power lines, do not use the battery cartridge near a high-voltage electrical power lines.** It may result in a malfunction or breakdown of the tool or battery cartridge.
18. **Keep the battery away from children.**

## SAVE THESE INSTRUCTIONS.

**⚠CAUTION:** Only use genuine Makita batteries. Use of non-genuine Makita batteries, or batteries that have been altered, may result in the battery bursting causing fires, personal injury and damage. It will also void the Makita warranty for the Makita tool and charger.

## Tips for maintaining maximum battery life

1. **Charge the battery cartridge before completely discharged.** Always stop tool operation and charge the battery cartridge when you notice less tool power.
2. **Never recharge a fully charged battery cartridge.** Overcharging shortens the battery service life.
3. **Charge the battery cartridge with room temperature at 10 °C - 40 °C (50 °F - 104 °F).** Let a hot battery cartridge cool down before charging it.
4. **When not using the battery cartridge, remove it from the tool or the charger.**
5. **Charge the battery cartridge if you do not use it for a long period (more than six months).**

## Important safety instructions for wireless unit

1. Do not disassemble or tamper with the wireless unit.
2. Keep the wireless unit away from young children. If accidentally swallowed, seek medical attention immediately.
3. Use the wireless unit only with Makita tools.
4. Do not expose the wireless unit to rain or wet conditions.
5. Do not use the wireless unit in places where the temperature exceeds 50°C (122°F).
6. Do not operate the wireless unit in places where medical instruments, such as heart pace makers are nearby.
7. Do not operate the wireless unit in places where automated devices are nearby. If operated, automated devices may develop malfunction or error.
8. Do not operate the wireless unit in places under high temperature or places where static electricity or electrical noise could be generated.
9. The wireless unit can produce electromagnetic fields (EMF) but they are not harmful to the user.
10. The wireless unit is an accurate instrument. Be careful not to drop or strike the wireless unit.
11. Avoid touching the terminal of the wireless unit with bare hands or metallic materials.
12. Always remove the battery on the product when installing the wireless unit into it.
13. When opening the lid of the slot, avoid the place where dust and water may come into the slot. Always keep the inlet of the slot clean.
14. Always insert the wireless unit in the correct direction.
15. Do not press the wireless activation button on the wireless unit too hard and/or press the button with an object with a sharp edge.
16. Always close the lid of the slot when operating.
17. Do not remove the wireless unit from the slot while the power is being supplied to the tool. Doing so may cause a malfunction of the wireless unit.
18. Do not remove the sticker on the wireless unit.
19. Do not put any sticker on the wireless unit.
20. Do not leave the wireless unit in a place where static electricity or electrical noise could be generated.
21. Do not leave the wireless unit in a place subject to high heat, such as a car sitting in the sun.
22. Do not leave the wireless unit in a dusty or powdery place or in a place corrosive gas could be generated.
23. Sudden change of the temperature may bedew the wireless unit. Do not use the wireless unit until the dew is completely dried.
24. When cleaning the wireless unit, gently wipe with a dry soft cloth. Do not use benzine, thinner, conductive grease or the like.
25. When storing the wireless unit, keep it in the supplied case or a static-free container.
26. Do not insert any devices other than Makita wireless unit into the slot on the tool.
27. Do not use the tool with the lid of the slot damaged. Water, dust, and dirt come into the slot may cause malfunction.
28. Do not pull and/or twist the lid of the slot more than necessary. Restore the lid if it comes off from the tool.
29. Replace the lid of the slot if it is lost or damaged.

**SAVE THESE INSTRUCTIONS.**

## PARTS DESCRIPTION

► Fig.2

1	Hex wrench	2	Adjusting bolt (for maximum cutting capacity)	3	Adjusting screw (for lower limit position)	4	Stopper arm
5	Wireless activation button	6	Wireless activation lamp	7	Vacuum button	8	Lamp button
9	Blade guard	10	Kerf board	11	Grip (for turn base)	12	Grip dial (for bevel angle)
13	Releasing lever (for turn base)	14	Adjusting bolt (for turn base)	15	Guide fences	16	Pointer (for miter angle)
17	Miter angle scale	18	Turn base	19	Sub base	20	Vertical vise
21	Releasing lever (for right side bevel angle)	22	45° adjusting bolt (for right bevel angle)	23	0° adjusting bolt (for bevel angle)	24	Dust guide
25	Right bevel angle scale	26	Pointer (for right bevel angle)	27	Stopper pin (for carriage sliding)	28	Slide pole
29	Lid (for wireless unit)	-	-	-	-	-	-

► Fig.3

1	Hole for padlock	2	Switch trigger	3	Lock-off button	4	Carry handle
5	Battery cartridge	6	Dust extraction hose	7	Left bevel angle scale	8	Pointer (for left bevel angle)
9	Releasing lever (for 48° bevel angle)	10	45° adjusting bolt (for left bevel angle)	11	Shaft lock	12	Dust bag (when replaced with dust extraction hose)

## INSTALLATION

### Bench mounting

**⚠ WARNING:** Ensure that the tool does not move on the supporting surface. Movement of the miter saw on the supporting surface while cutting may result in loss of control and serious personal injury.

1. Fix the base to a level and stable surface, screwing with the bolts. This helps to prevent from tipping and possible injury.

► Fig.4: 1. Bolt 2. Mounting hole

2. Turn the adjusting bolt clockwise or counterclockwise so that it comes into a contact with the floor surface to keep the tool stable.

► Fig.5: 1. Adjusting bolt

### Installing the dust extraction hose

Connect the dust extraction hose to the tool as illustrated.

Make sure that the elbow and the sleeve fit properly to the ports of the tool.

► Fig.6: 1. Dust extraction hose 2. Elbow 3. Sleeve 4. Port

To remove the elbow from the port, pull the elbow while pressing down the lock button.

To remove the sleeve from the port, turn it clockwise and then pull it apart.

► Fig.7: 1. Elbow 2. Lock button 3. Sleeve 4. Port

## FUNCTIONAL DESCRIPTION

**⚠ WARNING:** Always be sure that the tool is switched off and the battery cartridge is removed before adjusting or checking the functions on the tool. Failure to switch off and remove the battery cartridge may result in serious personal injury from accidental start-up.

### Installing or removing battery cartridge

**⚠ CAUTION:** Always switch off the tool before installing or removing of the battery cartridge.

**⚠ CAUTION:** Hold the tool and the battery cartridge firmly when installing or removing battery cartridge. Failure to hold the tool and the battery cartridge firmly may cause them to slip off your hands and result in damage to the tool and battery cartridge and a personal injury.

► Fig.8: 1. Red indicator 2. Button 3. Battery cartridge

To remove the battery cartridge, slide it from the tool while sliding the button on the front of the cartridge.

To install the battery cartridge, align the tongue on the battery cartridge with the groove in the housing and slip it into place. Insert it all the way until it locks in place with a little click. If you can see the red indicator on the upper side of the button, it is not locked completely.

**⚠ CAUTION:** Always install the battery cartridge fully until the red indicator cannot be seen. If not, it may accidentally fall out of the tool, causing injury to you or someone around you.

**⚠ CAUTION:** Do not install the battery cartridge forcibly. If the cartridge does not slide in easily, it is not being inserted correctly.

### Tool / battery protection system

The tool is equipped with a tool/battery protection system. This system automatically cuts off power to the motor to extend tool and battery life. The tool will automatically stop during operation if the tool or battery is placed under one of the following conditions:

#### Overload protection

When the tool/battery is operated in a manner that causes it to draw an abnormally high current, the tool automatically stops. In this situation, turn the tool off and stop the application that caused the tool to become overloaded. Then turn the tool on to restart.

## Overheat protection

When the tool/battery is overheated, the tool stops automatically. In this situation, let the tool/battery cool before turning the tool on again.

## Overdischarge protection

When the battery capacity becomes low, the tool stops automatically. If the product does not operate even when the switches are operated, remove the batteries from the tool and charge the batteries.

## Indicating the remaining battery capacity

Press the check button on the battery cartridge to indicate the remaining battery capacity. The indicator lamps light up for a few seconds.

► Fig.9: 1. Indicator lamps 2. Check button

Indicator lamps			Remaining capacity
Lighted	Off	Blinking	
■	□	◐	75% to 100%
■ ■ ■ ■			
■ ■ ■ □			50% to 75%
■ ■ □ □			25% to 50%
■ □ □ □			0% to 25%
◐ □ □ □			Charge the battery.
■ ■ □ □			The battery may have malfunctioned.
□ □ ■ ■			

**NOTE:** Depending on the conditions of use and the ambient temperature, the indication may differ slightly from the actual capacity.

**NOTE:** The first (far left) indicator lamp will blink when the battery protection system works.

## Handle lock

**CAUTION:** Always hold the handle when releasing the stopper pin. Otherwise the handle springs up and it may result in personal injury.

When the tool is shipped, the handle is locked in the lowered position with the stopper pin. To unlock the handle, pull the stopper pin and rotate it 90° while lowering the handle slightly.

► Fig.10: 1. Locked position 2. Unlocked position 3. Stopper pin

## Slide lock

Pull the stopper pin and turn it 90° in an unlocked position to allow free movement of the carriage. To lock the sliding movement of the carriage, push the carriage toward the arm until it stops, and then return the stopper pin in a locked position.

► Fig.11: 1. Locked position 2. Unlocked position 3. Stopper pin 4. Arm

## Blade guard

**WARNING:** Never defeat or remove the blade guard or the spring which attaches to the guard. An exposed blade as a result of defeated guarding may result in serious personal injury during operation.

**WARNING:** Never use the tool if the blade guard or spring are damaged, faulty or removed. Operation of the tool with a damaged, faulty or removed guard may result in serious personal injury.

**CAUTION:** Always maintain the blade guard in good condition for safe operation. Stop the operation immediately if there are any irregularity of the blade guard. Check to assure spring loaded return action of guard.

When lowering the handle, the blade guard raises automatically. The guard is spring loaded so it returns to its original position when the cut is completed and the handle is raised.

► Fig.12: 1. Blade guard

## Cleaning

If the transparent blade guard becomes dirty, or sawdust adheres to it in such a way that the blade and/or workpiece is no longer easily visible, remove the battery cartridge and clean the guard carefully with a damp cloth. Do not use solvents or any petroleum-based cleaners on the plastic guard because this may cause damage to the guard.

Follow the step-by-step instructions listed on how to prepare for cleaning.

1. Make sure that the tool is switched off and the battery cartridge is removed.
2. Turn the hex socket bolt counterclockwise using the supplied hex wrench with holding the center cover.
3. Raise the blade guard and center cover.
4. When cleaning is complete, return the center cover and tighten the hex socket bolt by performing the steps above in reverse.
5. Make sure to return the circular saw blade and center cover to their original positions and tighten the hex socket bolt.

► Fig.13: 1. Hex wrench 2. Hex socket bolt 3. Center cover 4. Blade guard

**WARNING:** Do not remove spring holding blade guard. If guard becomes damaged in course of time or UV light exposure, contact a Makita service center for replacement. **DO NOT DEFEAT OR REMOVE GUARD.**

## Positioning kerf board

This tool is provided with the kerf boards in the turn base to minimize tearing on the exit side of a cut. The kerf boards are factory adjusted so that the circular saw blade does not contact the kerf boards. Before use, adjust the kerf boards as follows:

1. Make sure to remove the battery cartridge. Then, loosen all the screws (three each on left and right) securing the kerf boards.

► **Fig.14:** 1. Kerf board 2. Screw

2. Re-tighten them only to the extent that the kerf boards can still be easily moved by hand.

3. Lower the handle fully, then pull and turn the stopper pin to lock the handle in the lowered position.

4. Pull and turn the stopper pin on the slide pole to allow the carriage sliding.

► **Fig.15:** 1. Stopper pin

5. Pull the carriage toward you fully.

6. Adjust the kerf boards so that they just contact the sides of the blade teeth.

► **Fig.16**

► **Fig.17:** 1. Saw blade 2. Blade teeth 3. Kerf board 4. Left bevel cut 5. Straight cut 6. Right bevel cut

7. Tighten the front screws (do not tighten firmly).

8. Slide the carriage down to the middle of between the front end of the kerf boards and guide fences. Adjust the kerf boards so that they just contact the sides of the blade teeth.

9. Tighten the center screws (do not tighten firmly).

10. Push the carriage toward the guide fences fully and then adjust the kerf boards so that they just contact the sides of the blade teeth.

11. Tighten the rear screws (do not tighten firmly).

12. After adjusting the kerf boards, release the stopper pin for handle lock and raise the handle. Then tighten all the screws securely.

**NOTICE:** After setting the bevel angle, ensure that the kerf boards are adjusted properly. Correct adjustment of the kerf boards helps to provide proper support of the workpiece and minimizing workpiece tear out.

## Maintaining maximum cutting capacity

This tool is factory adjusted to provide the maximum cutting capacity for a 216 mm saw blade. When installing a new circular saw blade, always check the lower limit position of the circular saw blade, and if necessary, adjust it as follows:

1. Remove the battery cartridge. Then, push the carriage toward the guide fence fully and lower the handle completely.

► **Fig.18:** 1. Adjusting bolt 2. Guide fence

2. Use the hex wrench to turn the adjusting bolt until the circular saw blade comes slightly below the cross section of the guide fence and the top surface of the turn base.

► **Fig.19**

3. Rotate the blade by hand while holding the handle all the way down to be sure that the circular saw blade does not contact any part of the lower base. Re-adjust slightly, if necessary.

**WARNING:** After installing a new circular saw blade and with the battery cartridge removed, always be sure that the circular saw blade does not contact any part of the lower base when the handle is lowered completely. If a circular saw blade makes contact with the base, it may cause kickback and result in serious personal injury.

► **Fig.20**

## Stopper arm

The lower limit position of the circular saw blade can be easily adjusted with the stopper arm. To adjust it, move the stopper arm in the direction of the arrow as shown in the figure. Turn the adjusting screw so that the blade stops at the desired position when lowering the handle fully.

► **Fig.21:** 1. Hex wrench 2. Adjusting screw 3. Stopper arm

**CAUTION:** Always hold the handle firmly when adjusting. Failure to do so may cause the carriage to jump up and result in injury.

## Adjusting the miter angle

**CAUTION:** After changing the miter angle, always secure the turn base by returning the releasing lever in a locked position and tightening the grip firmly.

**NOTICE:** When turning the turn base, be sure to raise the handle fully.

1. Rotate the grip counterclockwise and press down the releasing lever into an unlocked position.

2. Hold and swing the grip from side to side to turn the base.

3. Align the pointer with your desired angle on the miter angle scale.

4. Push up the releasing lever into a locked position and tighten the grip.

► **Fig.22:** 1. Grip 2. Releasing lever 3. Locked position 4. Unlocked position 5. Pointer 6. Miter angle scale

## Positive stop function

This miter saw employs positive stop function. You can set 0°, 15°, 22.5°, 31.6°, 45°, and 60° right/left miter angle quickly.

1. Turn the base close to your desired positive stop angle while pressing down the releasing lever in the unlocked position.

2. Deliberately push the releasing lever up halfway between the unlocked position and locked position.

3. Turn the base at your desired positive stop angle until it is secured.

4. Push the releasing lever up in the locked position and tighten the grip.

► **Fig.23:** 1. Positive stop angle 2. Releasing lever 3. Locked position 4. Unlocked position 5. Grip

## Adjusting the bevel angle

**CAUTION:** After changing the bevel angle, always secure the arm by tightening the grip dial clockwise.

**NOTICE:** Always remove the upper guide fences and vertical vise before adjusting the bevel angle.

**NOTICE:** When tilting the circular saw blade, be sure that the carriage is fully raised.

**NOTICE:** When changing bevel angles, be sure to reposition the kerf boards appropriately as explained in the section for positioning kerf boards.

**NOTICE:** Do not tighten the grip dial too hard. Doing so may cause malfunction of the locking mechanism of the bevel angle.

## Tilting the circular saw blade to the left

1. Rotate the grip dial counterclockwise.
2. Hold the handle and tilt the carriage to the left.
3. Align the pointer with your desired angle on the bevel angle scale.
4. Tighten the grip dial clockwise to secure the arm.

► **Fig.24:** 1. Grip dial 2. Handle 3. Pointer 4. Bevel angle scale

## Tilting the circular saw blade to the right

1. Rotate the grip dial counterclockwise.
2. Hold the handle and tilt the carriage to the left slightly.
3. Tilt the carriage to the right while pulling the releasing lever for right side bevel angle.
4. Align the pointer with your desired angle on the bevel angle scale.
5. Tighten the grip dial clockwise to secure the arm.

► **Fig.25:** 1. Grip dial 2. Handle 3. Releasing lever for right side bevel angle 4. Pointer 5. Bevel angle scale

## Tilting the circular saw blade beyond the range 0° - 45°

1. Rotate the grip dial counterclockwise.
2. Hold the handle and tilt the carriage through 45° either to the left or right.
3. Pull the carriage back slightly and turn the releasing lever for 48° bevel angle in clockwise direction.
4. Tilt the carriage further to the left or right while keeping the lever released.
5. Tighten the grip dial clockwise to secure the arm.

► **Fig.26:** 1. Grip dial 2. Handle 3. Releasing lever for 48° bevel angle

## Switch action

**WARNING:** Before installing the battery cartridge(s) into the tool, always check to see that the switch trigger actuates properly and returns to the "OFF" position when released. Do not pull the switch trigger hard without pressing in the lock-off button. This can cause switch breakage. Operating a tool with a switch that does not actuate properly can lead to loss of control and serious personal injury.

**WARNING:** NEVER use tool without a fully operative switch trigger. Any tool with an inoperative switch is HIGHLY DANGEROUS and must be repaired before further usage or serious personal injury may occur.

**WARNING:** NEVER defeat the lock-off button by taping down or some other means. A switch with a negated lock-off button may result in unintentional operation and serious personal injury.

**WARNING:** NEVER use the tool if it runs when you simply pull the switch trigger without pressing the lock-off button. A switch in need of repair may result in unintentional operation and serious personal injury. Return tool to a Makita service center for proper repairs BEFORE further usage.

► **Fig.27:** 1. Switch trigger 2. Lock-off button 3. Hole for padlock

To prevent the switch trigger from being accidentally pulled, a lock-off button is provided. To start the tool, press in the lock-off button and pull the switch trigger. Release the switch trigger to stop.

A hole is provided in the switch trigger for insertion of a padlock to lock the tool off.

**WARNING:** Do not use a lock with a shank or cable any smaller than 6.35 mm in diameter. A smaller shank or cable may not properly lock the tool in the off position and unintentional operation may occur resulting in serious personal injury.

## Casting a cutting line

**CAUTION:** The lamp is not a rainproof. Do not wash the lamp in water or use it in a rain or a wet area. Such a conduct can cause an electric shock and fume.

**CAUTION:** Do not touch the lens of the lamp as it is very hot while it is lighted or shortly after it is turned off. This may cause burns.

**CAUTION:** Do not apply impact to the lamp, which may cause damage or shorted service time to it.

**CAUTION:** Do not look in the light or see the source of light directly.

The LED lamp casts a light over the circular saw blade, and a shadow of the blade falls onto a workpiece serving as a calibration-free cutting line indicator. Press the lamp button to shed a light. A line appears in which the blade will meet the surface of the workpiece, becoming deepened as the blade gets lowered.

► **Fig.28:** 1. Lamp button 2. Lamp 3. Cutting line

The indicator helps cut through an existing cut-off line penciled on a workpiece.

1. Hold the handle and lower the circular saw blade so a dense shadow of the blade is thrown against a workpiece.
2. Align a cut-off line drawn on the workpiece with the shadowed cutting line.
3. Adjust the miter angles and bevel angles if necessary.

**NOTE:** Be sure to turn off the lamp switch after use because turning on the light consumes the battery power.

**NOTE:** The light automatically goes off 5 minutes after you cease operation.

## Electronic function

### Electric brake

This tool is equipped with an electric blade brake. If the tool consistently fails to quickly cease to function after the switch trigger is released, have the tool serviced at a Makita service center.

### Constant speed control

The tool is provided with an electronic speed control which helps maintain a constant blade rotation speed even under load. A constant blade rotation speed will result in a very smooth cut.

### Soft start feature

This function allows the smooth start-up of the tool by limiting the start-up torque.

## ASSEMBLY

**⚠WARNING:** Always be sure that the tool is switched off and the battery cartridge is removed before working on the tool. Failure to switch off and remove the battery cartridge may result in serious personal injury.

### Hex wrench storage

When not in use, store the hex wrench as shown in the figure to keep it from being lost.

- **Fig.29:** 1. Hex wrench

## Removing and installing saw blade

**⚠WARNING:** Always be sure that the tool is switched off and the battery cartridge is removed before removing and installing the circular saw blade. Accidental start up of the tool may result in serious personal injury.

**⚠WARNING:** Use only the Makita wrench provided to remove and install the circular saw blade. Failure to use the wrench may result in overtightening or insufficient tightening of the hex socket bolt and serious personal injury.

**⚠WARNING:** Never use or substitute the parts which are not supplied with this tool. Using such parts can cause serious personal injury.

**⚠WARNING:** After installing the circular saw blade, always make sure that it is securely installed. Loose attachment of the circular saw blade can cause serious personal injury.

## Removing the blade

To remove the circular saw blade, perform the following steps:

1. Lock the carriage in the raised position by pulling and turning the stopper pin in a locked position.  
► **Fig.30:** 1. Stopper pin
2. Use the hex wrench to loosen the hex socket bolt holding the center cover. Then, raise the blade guard and center cover.  
► **Fig.31:** 1. Hex wrench 2. Hex socket bolt 3. Center cover 4. Blade guard
3. Press the shaft lock to lock the spindle and use the hex wrench to loosen the hex socket bolt clockwise. Then remove the hex socket bolt, outer flange and circular saw blade.  
► **Fig.32:** 1. Hex socket bolt (left-handed) 2. Outer flange 3. Shaft lock
4. If the inner flange is removed, install it on the spindle with its blade mounting part facing the circular saw blade. If the flange is installed incorrectly the flange will rub against the machine.  
► **Fig.33:** 1. Outer flange 2. Circular saw blade 3. Inner flange 4. Hex socket bolt (left-handed) 5. Spindle 6. Blade mounting part

## Installing the blade

**⚠CAUTION:** Make sure to install the circular saw blade so that the direction of the arrow on the blade matches that on the blade case. Failure to do so may result in personal injury and cause damage to the tool and/or the workpiece.

To install the circular saw blade, perform the following steps:

1. Mount the circular saw blade carefully onto the inner flange. Make sure that the direction of the arrow on the circular saw blade matches the direction of the arrow on the blade case.  
► **Fig.34:** 1. Arrow
2. Install the outer flange and hex socket bolt, and then use the hex wrench to tighten the hex socket bolt (left-handed) counterclockwise securely while pressing the shaft lock.



3. Return the blade guard and center cover to its original position. Then tighten the hex socket bolt of the center cover to secure it.

4. Pull and turn the stopper pin to release the carriage from the raised position. Lower the carriage and check that the blade guard moves properly.

## For tool with the inner flange for 15.88 mm hole-diameter saw blade

### Country specific

Mount the inner flange with its recessed side facing outward onto the mounting shaft and then place circular saw blade, outer flange and hex socket bolt.

► **Fig.35:** 1. Outer flange 2. Circular saw blade 3. Inner flange 4. Hex socket bolt (left-handed) 5. Spindle 6. Recessed side

## For tool with the inner flange for other than 25.4 mm or 30 mm hole-diameter saw blade

### Country specific

The inner flange has a certain diameter of a blade mounting part on one side of it and a different diameter of blade mounting part on the other side. Choose a correct side on which blade mounting part fits into the circular saw blade hole perfectly.

► **Fig.36:** 1. Outer flange 2. Circular saw blade 3. Inner flange 4. Hex socket bolt (left-handed) 5. Spindle 6. Blade mounting part

**CAUTION:** Make sure that the blade mounting part "a" on the inner flange that is positioned outside fits into the circular saw blade hole "a" perfectly. Mounting the circular saw blade on the wrong side can result in the dangerous vibration.

## Connecting a vacuum cleaner

When you wish to perform clean cutting operation, connect a Makita vacuum cleaner to the dust nozzle (upper dust port) using a front cuff 24 (optional accessory).

► **Fig.37:** 1. Front cuff 24 2. Hose 3. Vacuum cleaner

## Dust bag

**CAUTION:** When performing a cutting, always attach the dust bag or connect a vacuum cleaner to prevent dust-related hazards.

The use of the dust bag makes cutting operations clean and dust collection easy. To attach the dust bag, remove the dust extraction hose from the tool and connect the dust bag to the dust nozzle (upper dust port).

► **Fig.38:** 1. Dust extraction hose 2. Dust bag 3. Dust nozzle (upper dust port)

When the dust bag is about half full, remove the dust bag from the tool and pull the fastener out. Empty the dust bag of its contents, tapping it lightly so as to remove particles adhering to the insides which might hamper further collection.

► **Fig.39:** 1. Fastener

## Securing workpiece

**WARNING:** It is extremely important to always secure the workpiece correctly with the proper type of vise. Failure to do so may result in serious personal injury and cause damage to the tool and/or the workpiece.

**WARNING:** When cutting a workpiece that is longer than the support base of the saw, support the entire length of the material beyond the support base and at the same height to keep the material level. Proper workpiece support helps to avoid blade pinch and possible kickback which may result in serious personal injury. Do not rely solely on the vertical vise and/or horizontal vise to secure the workpiece. Thin material tends to sag. Support workpiece over its entire length to avoid blade pinch and possible KICKBACK.

► **Fig.40:** 1. Support 2. Turn base

## Guide fences

**WARNING:** Before operating the tool, make sure that the upper fence is secured firmly.

**WARNING:** Before bevel-cutting, make sure that no part of the tool, especially the blade, contacts the upper and lower fences when fully lowering and raising the handle in any position and while moving the carriage through its full range of travel. If the tool or blade makes contact with the fence this may result in kickback or unexpected movement of the material and serious personal injury.

Use upper fences to support the material higher than the lower fences. Loosen the clamping screw so that the upper fences slide in and out over the lower fences. Reposition the fences and then tighten the screw.

► **Fig.41:** 1. Upper fence 2. Lower fence 3. Clamping screw 4. Adjusting screw

**NOTICE:** The lower fences are fixed to the base in the factory. Do not remove the lower fences.

**NOTICE:** If the upper fence is still loose after tightening the clamping screw, turn the adjusting screw to close a gap. The adjusting screw is factory adjusted. You don't need to use it unless needed.

## Vertical vise

**WARNING:** The workpiece must be secured firmly against the turn base and guide fences with the vise during all operations. If the workpiece is not properly secured against the fence the material may move during the cutting operation causing possible damage to the blade, causing the material to be thrown and loss of control resulting in serious personal injury.

The vertical vise can be installed in two positions each on the left and right side of the base. Insert the vise rod into one of the holes in the base.

Position the vise arm according to the thickness and shape of the workpiece and secure the vise arm by tightening the clamping screw. If the clamping screw contacts the carriage, install it on the opposite side of vise arm. Make sure that no part of the tool contacts the vise when lowering the handle all the way. If some part contacts the vise, re-position the vise.

Press the workpiece flat against the guide fences and the turn base. Position the workpiece at the desired cutting position and secure it firmly by tightening the vise knob.

► **Fig.42:** 1. Holes 2. Vise rod 3. Vise arm 4. Clamping screw 5. Vise knob

## Horizontal vise

### Optional accessory

**⚠ WARNING:** Always rotate the nut holder clockwise until the workpiece is properly secured. If the workpiece is not properly secured the material may move during the cutting operation causing possible damage to the circular saw blade, causing the material to be thrown and loss of control resulting in serious personal injury.

**⚠ WARNING:** When cutting a thin workpiece, such as base boards, against the fence, always use the horizontal vise.

**⚠ CAUTION:** When cutting the workpiece of the thickness 20 mm or thinner, make sure to use a spacer block to secure the workpiece.

The horizontal vise can be installed either on the left or on the right side of the base. When performing 22.5° or greater miter cuts, install the horizontal vise on the side opposite to the direction in which the turn base is to be turned.

By flipping the nut holder counterclockwise, the vise is released, and rapidly moves in and out. To grip the workpiece, push the vise knob forward until the vise plate contacts the workpiece and flip the nut holder clockwise. Then turn the vise knob clockwise to secure the workpiece.

► **Fig.43:** 1. Vise plate 2. Nut holder 3. Vise knob

**NOTE:** The maximum width of workpiece which can be secured by the horizontal vise is 68 mm.

## Sub base

**⚠ WARNING:** Always support a long workpiece so it is level with the top surface of the turn base for an accurate cut and to prevent dangerous loss of tool control. Proper workpiece support will help avoid blade pinch and possible kickback which may result in serious personal injury.

**⚠ WARNING:** Before the cutting operation, always be sure that the sub bases are secured by the screws.

To hold long workpieces horizontally, sub bases are provided on both sides of the tool. Loosen the screws and extend the sub bases to the appropriate length for holding the workpiece. Then tighten the screws.

► **Fig.44:** 1. Sub base 2. Screw

When cutting, place the workpiece flat against the guide fences.

► **Fig.45:** 1. Guide fence 2. Sub base

## OPERATION

This tool is intended to cut wood products. With appropriate Makita genuine saw blades, following materials can also be sawed :

— Aluminum products

Refer to our website or contact your local Makita dealer for the correct circular saw blades to be used for the material to be cut.

**⚠ WARNING:** Make sure the circular saw blade is not contacting the workpiece, etc. before the switch is turned on. Turning the tool on with the circular saw blade in contact with the workpiece may result in kickback and serious personal injury.

**⚠ WARNING:** After a cutting operation, do not raise the circular saw blade until it has come to a complete stop. The raising of a coasting blade may result in serious personal injury and damage to the workpiece.

**⚠ WARNING:** Do not perform any adjustment such as turning grip, levers, stopper pin on the tool while the circular saw blade is rotating. Adjustment while the circular saw blade is rotating may result in serious personal injury.

**NOTICE:** Before use, be sure to unlock the stopper pin and release the handle from the lowered position.

**NOTICE:** Do not apply excessive pressure on the handle when cutting. Too much force may result in overload of the motor and/or decreased cutting efficiency. Press down handle with only as much force as necessary for smooth cutting and without significant decrease in blade speed.

**NOTICE:** Gently press down the handle to perform the cut. If the handle is pressed down with force or if lateral force is applied, the circular saw blade may vibrate and leave a mark (saw mark) in the workpiece and the precision of the cut may be impaired.

**NOTICE:** During a slide cut, gently push the carriage toward the guide fences without stopping. If the carriage movement stops during the cut, a mark may be left in the workpiece and the precision of the cut may be impaired.

## Press cutting

**⚠ WARNING:** Always lock the sliding movement of the carriage when performing a press cutting. Cutting without lock may cause possible kickback which may result in serious personal injury.

Workpieces up to 70 mm high and 92 mm wide can be cut in the following manner.

1. Push the carriage toward the guide fences until it stops and lock it with the stopper pin.
2. Secure the workpiece with the proper type of vise.
3. Switch on the tool without the circular saw blade making any contact and wait until the circular saw blade attains full speed before lowering.
4. Gently lower the handle to the fully lowered position to cut the workpiece.
5. When the cut is completed, switch off the tool and wait until the circular saw blade has come to a complete stop before returning the circular saw blade to its fully elevated position.

► **Fig.46:** 1. Stopper pin

## Slide (push) cutting (cutting wide workpieces)

**⚠ WARNING:** Whenever performing a slide cut, first pull the carriage full towards you and press the handle all the way down, then push the carriage toward the guide fence. Never start the cut with the carriage not pulled fully toward you. If you perform the slide cut without the carriage pulled fully toward you, unexpected kickback may occur and serious personal injury may result.

**⚠ WARNING:** Never attempt to perform a slide cut by pulling the carriage towards you. Pulling the carriage towards you while cutting may cause unexpected kickback resulting in possible serious personal injury.

**⚠ WARNING:** Never perform the slide cut with the handle locked in the lowered position.

1. Unlock the stopper pins so that the carriage can be elevated and slid freely.
2. Secure the workpiece with the proper type of vise.
3. Pull the carriage toward you fully.
4. Switch on the tool without the circular saw blade making any contact and wait until the circular saw blade attains full speed.
5. Press the handle down and **push the carriage toward the guide fences and through the workpiece.**
6. When the cut is completed, switch off the tool and **wait until the circular saw blade has come to a complete stop** before returning the circular saw blade to its fully elevated position.

► **Fig.47:** 1. Stopper pin for handle lock 2. Stopper pin for slide lock

## Miter cutting

Refer to the section for adjusting the miter angle.

## Bevel cut

**⚠ WARNING:** After setting the circular saw blade for a bevel cut, ensure that the carriage and circular saw blade will have free travel throughout the entire range of the intended cut before operating the tool. Interruption of the carriage or circular saw blade travel during the cutting operation may result in kickback and serious personal injury.

**⚠ WARNING:** While making a bevel cut, keep hands out of the path of the circular saw blade.

The angle of the circular saw blade may confuse the operator as to the actual blade path while cutting and contact with the circular saw blade will result in serious personal injury.

**⚠ WARNING:** The circular saw blade should not be raised until it has come to a complete stop.

During a bevel cut, the piece cut off may come to rest against the circular saw blade. If the circular saw blade is raised while it is rotating, the cut-off piece may be ejected by the circular saw blade causing the material to fragment which may result in serious personal injury.

**NOTICE:** When pressing down the handle, apply pressure in parallel with the circular saw blade. If a force is applied perpendicularly to the turn base or if the pressure direction is changed during a cut, the precision of the cut will be impaired.

1. Remove the upper fence on the side that you are going to tilt the carriage.
2. Unlock the stopper pins so that the carriage can be elevated and slid freely.
3. Adjust the bevel angle according to the procedure explained in the section for bevel angle adjustment. Then tighten the grip dial.
4. Secure the workpiece with a vise.
5. Pull the carriage toward you fully.
6. Switch on the tool without the circular saw blade making any contact and wait until the circular saw blade attains full speed.
7. Gently lower the handle to the fully lowered position while applying pressure in parallel with the circular saw blade and **push the carriage toward the guide fences to cut the workpiece.**
8. When the cut is completed, switch off the tool and **wait until the circular saw blade has come to a complete stop** before returning the circular saw blade to its fully elevated position.

► **Fig.48**

## Compound cutting

Compound cutting is the process in which a bevel angle is made at the same time in which a miter angle is being cut on a workpiece. Compound cutting can be performed at the angle shown in the table.

Miter angle	Bevel angle
Left and Right 0° - 45°	Left and Right 0° - 45°

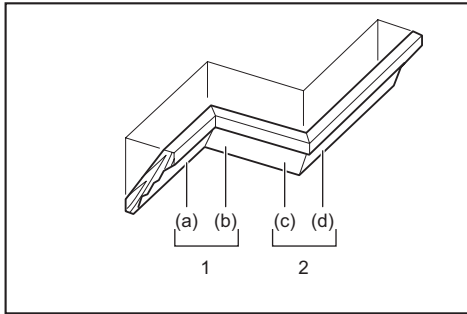
When performing compound cutting, refer to the section for press cutting, slide (push) cutting, miter cutting, and bevel cut.

## Cutting crown and cove moldings

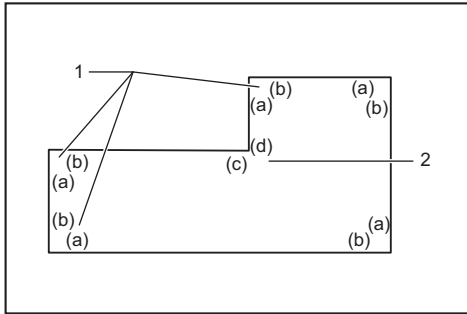
Crown and cove moldings can be cut on a compound miter saw with the moldings laid flat on the turn base. There are two common types of crown moldings and one type of cove moldings; 52/38° wall angle crown molding, 45° wall angle crown molding and 45° wall angle cove molding.

► **Fig.49:** 1. 52/38° type crown molding 2. 45° type crown molding 3. 45° type cove molding

There are crown and cove molding joints which are made to fit "Inside" 90° corners ((a) and (b) in the figure) and "Outside" 90° corners ((c) and (d) in the figure.)



1. Inside corner 2. Outside corner



1. Inside corner 2. Outside corner

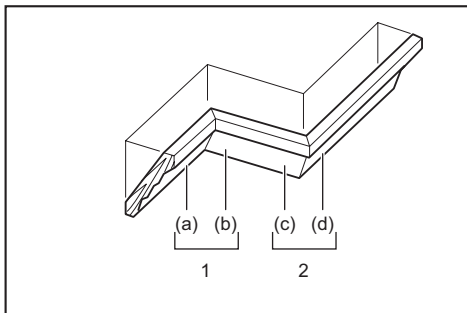
## Measuring

Measure the wall width, and adjust the width of the workpiece according to it. Always make sure that width of the workpiece's wall contact edge is the same as wall length.

► **Fig. 50:** 1. Workpiece 2. Wall width 3. Width of the workpiece 4. Wall contact edge

Always use several pieces for test cuts to check the saw angles. When cutting crown and cove moldings, set the bevel angle and miter angle as indicated in the table (A) and position the moldings on the top surface of the saw base as indicated in the table (B).

## In the case of left bevel cut



1. Inside corner 2. Outside corner

**Table (A)**

-	Molding position in the figure	Bevel angle		Miter angle	
		52/38° type	45° type	52/38° type	45° type
For inside corner	(a)	Left 33.9°	Left 30°	Right 31.6°	Right 35.3°
	(b)			Left 31.6°	Left 35.3°
For outside corner	(c)			Right 31.6°	Right 35.3°
	(d)			Right 31.6°	Right 35.3°

**Table (B)**

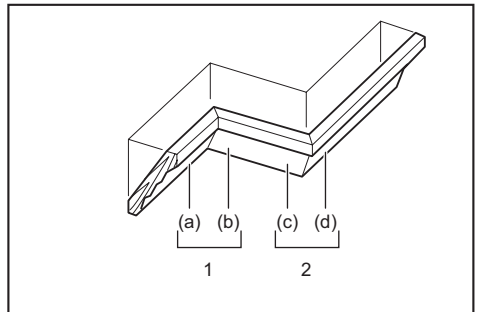
-	Molding position in the figure	Molding edge against guide fence	Finished piece
For inside corner	(a)	Ceiling contact edge should be against guide fence.	Finished piece will be on the Left side of blade.
	(b)	Wall contact edge should be against guide fence.	
For outside corner	(c)	Wall contact edge should be against guide fence.	Finished piece will be on the Right side of blade.
	(d)	Ceiling contact edge should be against guide fence.	

Example:

In the case of cutting 52/38° type crown molding for position (a) in the above figure:

- Tilt and secure bevel angle setting to 33.9° LEFT.
- Adjust and secure miter angle setting to 31.6° RIGHT.
- Lay crown molding with its broad back (hidden) surface down on the turn base with its CEILING CONTACT EDGE against the guide fence on the saw.
- The finished piece to be used will always be on the LEFT side of the circular saw blade after the cut has been made.

## In the case of right bevel cut



1. Inside corner 2. Outside corner

Table (A)

-	Molding position in the figure	Bevel angle		Miter angle	
		52/38° type	45° type	52/38° type	45° type
For inside corner	(a)	Right 33.9°	Right 30°	Right 31.6°	Right 35.3°
	(b)			Left 31.6°	Left 35.3°
For outside corner	(c)			Right 31.6°	Right 35.3°
	(d)				

Table (B)

-	Molding position in the figure	Molding edge against guide fence	Finished piece
For inside corner	(a)	Wall contact edge should be against guide fence.	Finished piece will be on the Right side of blade.
	(b)	Ceiling contact edge should be against guide fence.	
For outside corner	(c)	Wall contact edge should be against guide fence.	Finished piece will be on the Left side of blade.
	(d)	Wall contact edge should be against guide fence.	

Example:

In the case of cutting 52/38° type crown molding for position (a) in the above figure:

- Tilt and secure bevel angle setting to 33.9° RIGHT.
- Adjust and secure miter angle setting to 31.6° RIGHT.
- Lay crown molding with its broad back (hidden) surface down on the turn base with its WALL CONTACT EDGE against the guide fence on the saw.
- The finished piece to be used will always be on the RIGHT side of the circular saw blade after the cut has been made.

## Cutting aluminum extrusion

► Fig.51: 1. Vise 2. Spacer block 3. Guide fence 4. Aluminum extrusion 5. Spacer block

When securing aluminum extrusions, use spacer blocks or pieces of scrap as shown in the figure to prevent deformation of the aluminum. Use a cutting lubricant when cutting the aluminum extrusion to prevent build-up of the aluminum material on the circular saw blade.

**⚠ WARNING:** Never attempt to cut thick or round aluminum extrusions. Thick or round aluminum extrusions can be difficult to secure and the work may loosen during the cutting operation which may result in loss of control and serious personal injury.

## Groove cutting

**⚠ WARNING:** Do not attempt to perform this type of cut by using a wider type blade or dado blade. Attempting to make a groove cut with a wider blade or dado blade could lead to unexpected cutting results and kickback which may result in serious personal injury.

**⚠ WARNING:** Be sure to return the stopper arm to the original position when performing other than groove cutting. Attempting to make cuts with the stopper arm in the incorrect position could lead to unexpected cutting results and kickback which may result in serious personal injury.

For a dado type cut, perform as follows:

1. Adjust the lower limit position of the circular saw blade using the adjusting screw and the stopper arm to limit the cutting depth of the circular saw blade. Refer to the section for stopper arm.
2. After adjusting the lower limit position of the circular saw blade, cut parallel grooves across the width of the workpiece using a slide (push) cut.  
► Fig.52: 1. Cut grooves with blade
3. Remove the workpiece material between the grooves with a chisel.

## Carrying tool

Before carrying the tool, be sure to remove the battery cartridge and all movable parts of the miter saw are secured. Always check the following:

- The battery cartridge is removed.
- The carriage is at 0° bevel angle position and secured.
- The carriage is lowered and locked.
- The carriage is fully slid to the guide fences and locked.
- The turn base is at the full right miter angle position and secured.
- The sub bases are stored and secured.

Carry the tool by the handle or by holding both sides of the tool base.

► Fig.53

► Fig.54

**⚠ WARNING:** Stopper pin for carriage elevation is for carrying and storage purposes only and not for any cutting operations. The use of the stopper pin for cutting operations may cause unexpected movement of the circular saw blade resulting in kickback and serious personal injury.

**⚠ CAUTION:** Always secure all moving portions before carrying the tool. If portions of the tool move or slide while being carried, loss of control or balance may occur and result in personal injury.

**⚠ CAUTION:** Be sure that the carriage elevation is properly locked at its bottom by the stopper pin. If the stopper pin is not engaged properly, the carriage may jump up suddenly and cause personal injury.

# WIRELESS ACTIVATION FUNCTION

## What you can do with the wireless activation function

The wireless activation function enables clean and comfortable operation. By connecting a supported vacuum cleaner to the tool, you can run the vacuum cleaner automatically along with the switch operation of the tool.

### ► Fig.55

To use the wireless activation function, prepare following items:

- A wireless unit (optional accessory)
- A vacuum cleaner which supports the wireless activation function

The overview of the wireless activation function setting is as follows. Refer to each section for detail procedures.

1. Installing the wireless unit
2. Tool registration for the vacuum cleaner
3. Starting the wireless activation function

## Installing the wireless unit

### Optional accessory

**CAUTION:** Place the tool on a flat and stable surface when installing the wireless unit.

**NOTICE:** Clean the dust and dirt on the tool before installing the wireless unit. Dust or dirt may cause malfunction if it comes into the slot of the wireless unit.

**NOTICE:** To prevent the malfunction caused by static, touch a static discharging material, such as a metal part of the tool, before picking up the wireless unit.

**NOTICE:** When installing the wireless unit, always be sure that the wireless unit is inserted in the correct direction and the lid is completely closed.

1. Open the lid on the tool as shown in the figure.  
► Fig.56: 1. Lid
2. Insert the wireless unit to the slot and then close the lid.

When inserting the wireless unit, align the projections with the recessed portions on the slot.

- Fig.57: 1. Wireless unit 2. Projection 3. Lid  
4. Recessed portion

When removing the wireless unit, open the lid slowly. The hooks on the back of the lid will lift the wireless unit as you pull up the lid.

- Fig.58: 1. Wireless unit 2. Hook 3. Lid

After removing the wireless unit, keep it in the supplied case or a static-free container.

**NOTICE:** Always use the hooks on the back of the lid when removing the wireless unit. If the hooks do not catch the wireless unit, close the lid completely and open it slowly again.

## Tool registration for the vacuum cleaner

**NOTE:** A Makita vacuum cleaner supporting the wireless activation function is required for the tool registration.

**NOTE:** Finish installing the wireless unit to the tool before starting the tool registration.

**NOTE:** Avoid turning the following switches on during tool registration:

- switch trigger on the tool
- vacuum switch on the tool
- power switch on the vacuum cleaner

**NOTE:** Refer to the instruction manual of the vacuum cleaner, too.

If you wish to activate the vacuum cleaner along with the switch operation of the tool, finish the tool registration beforehand.

1. Install the batteries to the vacuum cleaner and the tool.
2. Set the stand-by switch on the vacuum cleaner to "AUTO".  
► Fig.59: 1. Stand-by switch

3. Press the wireless activation button on the vacuum cleaner for 3 seconds until the wireless activation lamp blinks in green. And then press the wireless activation button on the tool in the same way.

- Fig.60: 1. Wireless activation button 2. Wireless activation lamp

If the vacuum cleaner and the tool are linked successfully, the wireless activation lamps will light up in green for 2 seconds and start blinking in blue.

**NOTE:** The wireless activation lamps finish blinking in green after 20 seconds elapsed. Press the wireless activation button on the tool while the wireless activation lamp on the cleaner is blinking. If the wireless activation lamp does not blink in green, push the wireless activation button briefly and hold it down again.

**NOTE:** When performing two or more tool registrations for one vacuum cleaner, finish the tool registration one by one.

## Starting the wireless activation function

**NOTE:** Finish the tool registration for the vacuum cleaner prior to the wireless activation.

**NOTE:** Refer to the instruction manual of the vacuum cleaner, too.

After registering a tool to the vacuum cleaner, the vacuum cleaner will automatically runs along with the switch operation of the tool. Pull the switch trigger on the tool to function the vacuum cleaner during operation. The vacuum cleaner also starts to function by pressing the vacuum button on the tool out of any cutting operation.

### ► Fig.61

1. Install the wireless unit to the tool.
2. Connect the hose of the vacuum cleaner with the tool.  
► Fig.62

3. Set the stand-by switch on the vacuum cleaner to "AUTO".  
► Fig.63: 1. Stand-by switch

4. Push the wireless activation button on the tool briefly. The wireless activation lamp will blink in blue.  
► **Fig.64:** 1. Wireless activation button 2. Wireless activation lamp
5. Pull the switch trigger of the tool. Check if the vacuum cleaner runs while the switch trigger is being pulled.
6. Press the vacuum button to function the vacuum cleaner. Check if the wireless activation lamp lights up in blue and the cleaner keeps running until you press the button again.
7. To cease vacuum operation, either release the switch trigger or press the vacuum button again. The vacuum cleaner stops running a few seconds after the switch operation, and then the lamp turns to blink in blue.

**NOTE:** Switch status (turning the cleaner on/off) can be learned in the wireless activation lamp. For details, refer to the section for description of the wireless activation lamp status.

8. To stop the wireless activation of the vacuum cleaner, push the wireless activation button on the tool.

**NOTE:** The wireless activation lamp on the tool will stop blinking in blue when there is no operation for 2 hours. In this case, set the stand-by switch on the vacuum cleaner to "AUTO" and push the wireless activation button on the tool again.

**NOTE:** The vacuum cleaner starts/stops with a delay. There is a time lag when the vacuum cleaner detects a switch operation of the tool.










**NOTE:** The transmission distance of the wireless unit may vary depending on the location and surrounding circumstances.

**NOTE:** When two or more tools are registered to one vacuum cleaner, the vacuum cleaner may start running even if you do not pull the switch trigger or turn on the vacuum button because another user is using the wireless activation function.

## Description of the wireless activation lamp status

► **Fig.65:** 1. Wireless activation lamp

The wireless activation lamp shows the status of the wireless activation function. Refer to the table below for the meaning of the lamp status.

Status	Wireless activation lamp				Description
	Color	 On	 Blinking	Duration	
Standby	Blue			2 hours	The wireless activation of the vacuum cleaner is available. The lamp will automatically turn off when no operation is performed for 2 hours.
				When the tool is running.	The wireless activation of the vacuum cleaner is available and the tool is running.
Tool registration	Green			20 seconds	Ready for the tool registration. Waiting for the registration by the vacuum cleaner.
				2 seconds	The tool registration has been finished. The wireless activation lamp will start blinking in blue.
Cancelling tool registration	Red			20 seconds	Ready for the cancellation of the tool registration. Waiting for the cancellation by the vacuum cleaner.
				2 seconds	The cancellation of the tool registration has been finished. The wireless activation lamp will start blinking in blue.
Others	Red			3 seconds	The power is supplied to the wireless unit and the wireless activation function is starting up.
	Off	-		-	The wireless activation of the vacuum cleaner is stopped.

## Cancelling tool registration for the vacuum cleaner

Perform the following procedure when cancelling the tool registration for the vacuum cleaner.

1. Install the batteries to the vacuum cleaner and the tool.
2. Set the stand-by switch on the vacuum cleaner to "AUTO".

► **Fig.66:** 1. Stand-by switch

3. Press the wireless activation button on the vacuum cleaner for 6 seconds. The wireless activation lamp blinks in green and then become red. After that, press the wireless activation button on the tool in the same way.

► **Fig.67:** 1. Wireless activation button 2. Wireless activation lamp

If the cancellation is performed successfully, the wireless activation lamps will light up in red for 2 seconds and start blinking in blue.

**NOTE:** The wireless activation lamps finish blinking in red after 20 seconds elapsed. Press the wireless activation button on the tool while the wireless activation lamp on the cleaner is blinking. If the wireless activation lamp does not blink in red, push the wireless activation button briefly and hold it down again.

## Troubleshooting for wireless activation function

Before asking for repairs, conduct your own inspection first. If you find a problem that is not explained in the manual, do not attempt to dismantle the tool. Instead, ask Makita Authorized Service Centers, always using Makita replacement parts for repairs.

State of abnormality	Probable cause (malfunction)	Remedy
The wireless activation lamp does not light/blink.	The wireless unit is not installed into the tool. The wireless unit is improperly installed into the tool.	Install the wireless unit correctly.
	The terminal of the wireless unit and/or the slot is dirty.	Gently wipe off dust and dirt on the terminal of the wireless unit and clean the slot.
	The wireless activation button on the tool has not been pushed.	Push the wireless activation button on the tool briefly.
	The stand-by switch on the vacuum cleaner is not set to "AUTO".	Set the stand-by switch on the vacuum cleaner to "AUTO".
	No power supply	Supply the power to the tool and the vacuum cleaner.
Cannot finish tool registration / cancelling tool registration successfully.	The wireless unit is not installed into the tool. The wireless unit is improperly installed into the tool.	Install the wireless unit correctly.
	The terminal of the wireless unit and/or the slot is dirty.	Gently wipe off dust and dirt on the terminal of the wireless unit and clean the slot.
	The stand-by switch on the vacuum cleaner is not set to "AUTO".	Set the stand-by switch on the vacuum cleaner to "AUTO".
	No power supply	Supply the power to the tool and the vacuum cleaner.
	Incorrect operation	Push the wireless activation button briefly and perform the tool registration/cancellation procedures again.
	The tool and vacuum cleaner are away from each other (out of the transmission range).	Get the tool and vacuum cleaner closer to each other. The maximum transmission distance is approximately 10 m however it may vary according to the circumstances.
	Before finishing the tool registration/cancellation; - the switch trigger on the tool is pulled or; - the vacuuming button on the tool is turned on or; - the power button on the vacuum cleaner is turned on.	Push the wireless activation button briefly and perform the tool registration/cancellation procedures again.
	The tool registration procedures for the tool or vacuum cleaner have not finished.	Perform the tool registration procedures for both the tool and the vacuum cleaner at the same timing.
	Radio disturbance by other appliances which generate high-intensity radio waves.	Keep the tool and vacuum cleaner away from the appliances such as Wi-Fi devices and microwave ovens.
The vacuum cleaner does not run along with the switch operation of the tool.	The wireless unit is not installed into the tool. The wireless unit is improperly installed into the tool.	Install the wireless unit correctly.
	The terminal of the wireless unit and/or the slot is dirty.	Gently wipe off dust and dirt on the terminal of the wireless unit and clean the slot.
	The wireless activation button on the tool has not been pushed.	Push the wireless activation button briefly and make sure that the wireless activation lamp is blinking in blue.
	The stand-by switch on the vacuum cleaner is not set to "AUTO".	Set the stand-by switch on the vacuum cleaner to "AUTO".
	More than 10 tools are registered to the vacuum cleaner.	Perform the tool registration again. If more than 10 tools are registered to the vacuum cleaner, the tool registered earliest will be cancelled automatically.
	The vacuum cleaner has failed to register tools successfully.	Renew tool registrations.
	The vacuum cleaner erased all tool registrations.	Perform the tool registration again.
	No power supply	Supply the power to the tool and the vacuum cleaner.
	The tool and vacuum cleaner are away from each other (out of the transmission range).	Get the tool and vacuum cleaner closer each other. The maximum transmission distance is approximately 10 m however it may vary according to the circumstances.
Radio disturbance by other appliances which generate high-intensity radio waves.	Keep the tool and vacuum cleaner away from the appliances such as Wi-Fi devices and microwave ovens.	
The vacuum cleaner runs while no switches for the tool are in operation.	Other users are using the wireless activation of the vacuum cleaner with their tools. Turn off the wireless activation button of the other tools or cancel the tool registration of the other tools.	



# MAINTENANCE

**⚠ WARNING:** Always be sure that the tool is switched off and the battery cartridge is removed before attempting to perform inspection or maintenance. Failure to removing the battery cartridge and switch off the tool may result in accidental start up of the tool which may result in serious personal injury.

**⚠ WARNING:** Always be sure that the circular saw blade is sharp and clean for the best and safest performance. Attempting a cut with a dull and/or dirty blade may cause kickback and result in a serious personal injury.

**NOTICE:** Never use gasoline, benzine, thinner, alcohol or the like. Discoloration, deformation or cracks may result.

To maintain product SAFETY and RELIABILITY, repairs, any other maintenance or adjustment should be performed by Makita Authorized or Factory Service Centers, always using Makita replacement parts.

## Adjusting the cutting angle

This tool is carefully adjusted and aligned at the factory, but rough handling may have affected the alignment. If your tool is not aligned properly, perform the following:

### Miter angle

Rotate the grip counterclockwise and have the base ready for the positive stop function using the releasing lever. Then, loosen the screws that secure the pointer and miter angle scale.

► **Fig.68:** 1. Grip 2. Releasing lever 3. Screw on pointer 4. Screws on miter angle scale 5. Miter angle scale

Set the turn base to the 0° position using the positive stop function. Square the side of the circular saw blade with the face of the guide fence using a triangular rule or try-square. While keeping the square, tighten the screws on the miter angle scale. After that, align the pointer with the 0° position in the miter angle scale and then tighten the screw on the pointer.

► **Fig.69:** 1. Triangular rule 2. Pointer

### Bevel angle

#### 0° bevel angle

Push the carriage toward the guide fences and lock the sliding movement with the stopper pin. Lower the carriage fully and lock it in the lowered position with the stopper pin. Rotate the grip dial counterclockwise, and then turn the 0° adjusting bolt through two or three revolutions counterclockwise to tilt the circular saw blade to the right.

► **Fig.70:** 1. Grip dial 2. 0° Adjusting bolt 3. Screw on the pointer

Carefully square the side of the circular saw blade with the top surface of the turn base using the triangular rule, try-square, etc. by turning the 0° adjusting bolt clockwise. Then tighten the grip dial firmly to secure the 0° angle you have set.

► **Fig.71:** 1. Triangular rule 2. Saw blade 3. Top surface of turn base

Check if the side of the circular saw blade squares with the top surface of the turn base once again. Loosen the screw on the pointer and then align the pointer with the 0° position in the bevel angle scale and then tighten the screw.

#### 45° bevel angle

**NOTICE:** Before adjusting the 45° bevel angle, finish 0° bevel angle adjustment.

Loosen the grip dial and tilt the carriage fully to the side that you want to check. Check if the pointer indicates the 45° position in the bevel angle scale.

► **Fig.72:** 1. Grip dial

If the pointer does not indicate the 45° position, align it with the 45° position by turning the 45° adjusting bolt.

► **Fig.73:** 1. Right 45° adjusting bolt 2. Left 45° adjusting bolt

## Cleaning the lamp lens

**NOTICE:** Do not remove the screw which secures the lens. If the lens does not come out, loosen the screw further.

**NOTICE:** Use a dry cloth to wipe the dirt off the lens of the lamp. Be careful not to scratch the lens of lamp, or it may lower the illumination.

**NOTICE:** Do not use solvents or any petroleum-based cleaners on the lens.

The LED light becomes hard to see as the lens for the light gets dirty. Clean the lens at regular intervals. Remove the battery cartridge. Loosen the screw and pull out the lens. Clean the lens gently with a damp soft cloth.

► **Fig.74:** 1. Screw 2. Lens

## After use

After use, wipe off chips and dust adhering to the tool with a cloth or the like. Keep the blade guard clean according to the directions in the previously mentioned in the section for the blade guard. Lubricate the sliding portions with machine oil to prevent rust.

# OPTIONAL ACCESSORIES

**⚠ WARNING:** These Makita accessories or attachments are recommended for use with your Makita tool specified in this manual. The use of any other accessories or attachments may result in serious personal injury.

**⚠ WARNING:** Only use the Makita accessory or attachment for its stated purpose. Misuse of an accessory or attachment may result in serious personal injury.

If you need any assistance for more details regarding these accessories, ask your local Makita Service Center.

- Carbide-tipped saw blades
- Vertical vise
- Horizontal vise
- Dust bag
- Triangular rule
- Hex wrench
- Wireless unit
- Stand sets
- Makita genuine battery and charger

**NOTE:** Some items in the list may be included in the tool package as standard accessories. They may differ from country to country.

## TEHNIČNI PODATKI

Model:	LS002G
Premer rezila	216 mm
Premer luknje (vretena) (odvisno od države)	15,88 mm/25,4 mm/30 mm
Največja širina zareze rezila žage	2,4 mm
Največji zajeralni kot	Levo 60°, desno 60°
Največji poševni kot	Levo 48°, desno 48°
Hitrost brez obremenitve	4.800 min <sup>-1</sup>
Mere (D x Š x V)	702 mm x 551 mm x 557 mm
Nazivna napetost	D.C. 36 V - 40 V
Neto teža	16,4 - 17,0 kg

- Ker nenehno opravljamo raziskave in razvijamo svoje izdelke, se lahko tehnični podatki v tem dokumentu spremenijo brez obvestila.
- Tehnični podatki se lahko razlikujejo od države do države.
- Teža se lahko razlikuje glede na priključke, vključno z akumulatorsko baterijo. Najlažja in najtežja kombinacija v skladu s postopkom EPTA 01/2014 sta prikazani v preglednici.

### Uporabna akumulatorska baterija in polnilnik

Baterijski vložek	BL4025/BL4040
Polnilnik	DC40RA

- Nekatere zgoraj navedene akumulatorske baterije in polnilniki morda v vaši državi prebivališča niso na voljo.

**⚠ OPOZORILO:** Uporabljajte le zgoraj navedene akumulatorske baterije in polnilnike. Uporaba drugih akumulatorskih baterij in polnilnikov lahko povzroči telesne poškodbe in/ali požar.

### Rezalne zmogljivosti (V x Š) z rezilom premera 216 mm

Zajeralni kot	Poševni kot		
	45° (levo)	0°	45° (desno)
0°	50 mm x 312 mm	70 mm x 312 mm	30 mm x 312 mm
45° (levo in desno)	50 mm x 220 mm	70 mm x 220 mm	30 mm x 220 mm
60° (levo in desno)	–	70 mm x 155 mm	–

### Simboli

Naslednji simboli se lahko uporabljajo v povezavi s strojem. Pred uporabo izdelka se obvezno seznanite z njihovim pomenom.



Preberite navodila za uporabo.



Da se izognete poškodbam zaradi letočih ostankov, po rezu držite glavo žage navzdol, dokler se rezilo popolnoma ne ustavi.



Kadar izvajate drsni rez, najprej do konca povlecite nosilec in potisnite ročaj navzdol, nato pa potisnite nosilec proti vodilnemu prislonu.



Pri poševnem rezanju najprej zrahljajte gumb ročke in nosilec nagnite do zelenega kota, nato pa zategnite gumb ročke.



Ko rezilo nagnete izven razpona od 0° - 45°, obrnite sprostitveno ročico za poševni kot 48° v smeri urnega kazalca.



Ne segajte z rokami ali prsti v bližino rezila.



Nosite zaščitna očala.



Ne glejte v luč, ki sveti.



Samo za države EU  
Ne zavrzite izrabljene električne opreme ali akumulatorskega sklopa med gospodinske odpadke!

V skladu z Evropskimi direktivami o odpadni električni in elektronski opremi, baterijah in akumulatorjih, odpadnih baterijah in akumulatorjih ter upoštevanjem njihovih določil v skladu z državno zakonodajo je treba električno opremo, baterije in akumulatorje, katerih življenjski cikel je pretekel, zbirati ločeno in jih dostaviti v ustrezen obrat za recikliranje, ki deluje skladno z okoljevarstvenimi zahtevami.

## Predvidena uporaba

Orodje je namenjeno za natančno ravno in poševno rezanje lesa.  
Ne uporabljajte žage za rezanje drugih materialov razen za les, aluminij ali podobne materiale.

## Hrup

Običajna A-ovrednotena raven hrupa v skladu z EN62841-3-9:

Raven zvočnega tlaka ( $L_{pA}$ ): 89 dB (A)

Raven zvočne moči ( $L_{WA}$ ): 100 dB (A)

Odstopanje (K): 3 dB (A)

**OPOMBA:** Navedene vrednosti oddajanja hrupa so bile izmerjene v skladu s standardnimi metodami testiranja in se lahko uporabljajo za primerjavo orodij.

**OPOMBA:** Navedene vrednosti oddajanja hrupa se lahko uporabljajo tudi pri predhodni oceni izpostavljenosti.

**⚠ OPOZORILO:** Uporabljajte zaščito za sluh.

**⚠ OPOZORILO:** Oddajanje hrupa med dejansko uporabo električnega orodja se lahko razlikuje od navedenih vrednosti, odvisno od načina uporabe orodja in predvsem vrste obdelovanca.

**⚠ OPOZORILO:** Upravljalavec mora za lastno zaščito poznati varnostne ukrepe, ki temeljijo na oceni izpostavljenosti v dejanskih pogojih uporabe (poleg časa proženja je treba upoštevati celoten delovni cikel, vključno s časom, ko je orodje izklopljeno, in časom, ko deluje v prostem teku).

## Izjava o skladnosti ES

### Samo za evropske države

Izjava ES o skladnosti je vključena v dodatku A, ki je priložen tem navodilom za uporabo.

## VARNOSTNA OPOZORILA

### Splošna varnostna opozorila za električno orodje

**⚠ OPOZORILO:** Preberite vsa varnostna opozorila in navodila s slikami in tehničnimi podatki, ki so dobavljeni skupaj z električnim orodjem. Ob neupoštevanju spodaj navedenih navodil obstaja nevarnost električnega udara, požara in/ali hudih telesnih poškodb.

### Shranite vsa opozorila in navodila za poznejšo uporabo.

Izraz „električno orodje“ v opozorilih se nanaša na vaše električno orodje (s kablom) ali baterijsko električno orodje (brez kabla).

## Varnostna navodila za zajeralno žago

- Zajeralne žage so namenjene rezanju lesa ali izdelkov, podobnih lesu, in jih ni mogoče uporabiti z abrazivnimi rezalnimi ploščami za rezanje železnih materialov, kot so palice, drogovi, navojne palice itd.** Zaradi abrazivnega prahu se premični deli, kot je spodnji ščitnik, zagodzijo. Iskre pri rezanju abrazivnega materiala lahko ožgejo spodnji ščit, element v špranji in druge plastične dele.
  - Kadar je mogoče, s sponkami podprite obdelovanec.** Če držite obdelovanec tudi z roko, mora biti ta oddaljena vsaj 100 mm od obeh strani rezila žage. **Ne uporabljajte te žage za rezanje predmetov, ki so premajhni, da bi jih lahko varno vpeli ali držali z rokami.** Če držite roko preblizu rezilu žage, obstaja večja nevarnost, da se ob stiku z rezilom poškodujete.
  - Poskrbite, da je obdelovanec nepremičen, in ga vpnite ali potisnite ob prilon in mizo. Ne podajajte obdelovanca proti rezilu oziroma ne režite „prostoročno“ na kakršenkoli način.** Nevpeti ali premikajoči se obdelovanci lahko z visoko hitrostjo odletijo in povzročijo poškodbe.
  - Potisnite žago skozi obdelovanec. Žage ne vlečite skozi obdelovanec. Režete tako, da dvignete glavo žage in jo izvlečete iz obdelovanca, ko je žaga zaustavljena, nato zaženete motor, pritisnete glavo žage navzdol in potisnete žago skozi obdelovanec.** Če režete, ko vlečete žago, se lahko rezilo žage dvigne iz obdelovanca in sklop rezil silovito odleti proti upravljavcu.
  - Roke nikoli ne postavljajte prek linije reza pred ali za rezilom žage.** Držanje obdelovanca s prekrizanimi rokami, tj. držanje obdelovanca z levo roko na desni strani rezila žage ali obratno, je zelo nevarno.
- SI.1
- Ne segajte z rokami bližje kot 100 mm od katerekoli strani rezila žage za prislonom, če nameravate odstraniti koščke lesa ali iz katerekoli drugega razloga, ko se rezilo vrti.** Na prvi pogled bližina vrtečega rezila žage roki morda ni očitna, kar lahko privede do hudih poškodb.
  - Pred rezanjem obdelovanec pregledajte. Če je obdelovanec ukrivljen, ga vpnite tako, da je zunanji ukrivljeni del obrnjen proti prislonu. Vedno se prepričajte, da v smeri rezanja ni razmika med obdelovancem, prislonom in mizo.** Upognjeni ali ukrivljeni obdelovanci se lahko zvijejo ali obrnejo, pri čemer se vrteče se rezilo žage lahko zagodzi. V obdelovancu ne sme biti žebeljev ali tujkov.
  - Žage ne uporabljajte, dokler z mize ne odstranite vsega orodja, koščkov lesa itd. in se na njej ne nahaja samo obdelovanec.** Majhni ostanki oziroma koščki lesa ali drugi predmeti, ki pridejo v stik z vrtečim se rezilom, lahko odletijo z visoko hitrostjo.
  - Režite samo en obdelovanec naenkrat.** Več zloženih obdelovancev ni mogoče ustrezno vpeti ali podpreti, tako da se lahko rezilo v njih zagodzi ali se med rezanjem obrnejo.
  - Pred uporabo zajeralne žage poskrbite, da je žaga nameščena ali postavljena na ravno, trdno delovno površino.** Ravna in trdna delovna površina zmanjša nevarnost, da bi se zajeralna žaga prevrnila.

11. **Naredite načrt dela. Vsakič, ko spremenite poševni kot ali kot zajeralne žage, poskrbite, da je prilagodljivi prislon pravilno nastavljen, tako da podpira obdelovanec in ne ovira rezila ali sistem ščitnika.** Z rezilom žage simulirajte rez z izklopljenim orodjem in brez obdelovanca na mizi ter se tako prepričajte, da rezanje ne bo ovirano in da ni nevarnosti, da bi odrezali prislon.
12. **Zagotovite ustrezno podporo, kot so podaljški za mizo, kože za žaganje itd., za obdelovanec, ki je širši in daljši kot površina mize.** Obdelovanci, ki so daljši ali širši kot miza zajeralne žage, se lahko prevrnejo, če niso ustrezno podprti. Če se odrezani del ali obdelovanec prevrne, lahko dvigne spodnji ščitnik ali zaradi vrtečega se rezila odleti.
13. **Če nimate podaljška za mizo ali dodatne podpore, obdelovanca pri rezanju ne sme držati človek.** Zaradi nestabilne podpore obdelovanca se med rezanjem rezilo lahko zagozdi ali se obdelovanec obrne, pri čemer vas in vašega pomočnika potegne proti vrtečemu se rezilu.
14. **Odrezani del se ne sme zagozditi oziroma ne sme pritiskati ob vrteče se rezilo.** Če je odrezani del vpet na primer z dolžinskimi ustavljalji, se lahko zagozdi ob rezilo in odleti s silo.
15. **Za podporo okroglih materialov, kot so drogovi ali cevi, vedno uporabljajte posebej zasnovane sponke ali pritrdila.** Drogovi se med rezanjem lahko zavrtijo, pri čemer se žaga „zaje“ v izdelek ter ga skupaj z vašimi rokami povleče v rezilo.
16. **Počakajte, da rezilo doseže največjo hitrost, preden se z njim dotaknete obdelovanca.** To bo zmanjšalo nevarnost, da obdelovanec odleti.
17. **Če se obdelovanec ali rezilo zagozdita, izklopite zajeralno žago.** Počakajte, da se vsi premikajoči se deli ustavijo ter nato izvlecite vtič iz napajanja in/ali odstranite akumulatorsko baterijo. Nato poskusite odstraniti zagozdeni material. Nadaljevanje rezanja z zagozdenim obdelovancem lahko povzroči izgubo nadzora ali poškodbo zajeralne žage.
18. **Ko zaključite rezanje, sprostite stikalo, držite glavo žage navzdol in počakajte, da se rezilo zaustavi, preden odstranite odrezani del obdelovanca.** Približevanje rok rezilu v prostem teku je nevarno.
19. **Če reza ne dokončate ali sprostite stikalo, preden glava žage doseže najnižji položaj, čvrsto držite ročaj.** Zaviranje žage lahko povzroči, da žago nenadoma potegne navzdol, kar poveča nevarnost nastanka poškodb.
20. **Uporabljajte le rezila žage s premerom, ki je označen na orodju ali naveden v priročniku.** Uporaba rezila nepravilne velikosti lahko vpliva na ustrezno zaščito rezila ali delovanje ščitnika, zaradi česar lahko pride do hudih telesnih poškodb.
21. **Uporabljajte le žagine liste, ki so označeni s hitrostjo, ki je enaka ali višja od hitrosti, označene na orodju.**
22. **Ne uporabljajte žage za rezanje drugih materialov razen za les, aluminij ali podobne materiale.**
23. **(Samo za evropske države) Vedno uporabljajte rezilo, ki je skladno s standardom EN847-1.**

#### Dodatna navodila

1. **Delavnico zaklenite, da ne bo dostopna otrokom.**
2. **Nikoli ne stojte na orodju.** Če se orodje prevrne ali če pride do neželenega stika z rezalnim orodjem, lahko pride do resnih poškodb.
3. **Orodja nikoli ne puščajte nenadzorovanega, medtem ko deluje. Orodje izklopite. Počakajte, da se rezilo povsem ustavi.**
4. **Ne uporabljajte žage brez nameščenih ščitnikov.** Pred vsako uporabo preverite, ali se ščitnik rezila pravilno zapira. Ne uporabljajte žage, če se ščitnik rezila ne premika prosto in se ne zapira. Nikoli ne zatikajte ali zavežite ščitnika rezila v odprtem položaju.
5. **Ne približujte rok liniji reza rezila žage.** Izogibajte se stiku s katerim koli rezilom v prostem teku. Še vedno lahko povzroči hude telesne poškodbe.
6. **Po vsakem prečnem rezu pomaknite nosilec do konca nazaj, da zmanjšate nevarnost poškodb.**
7. **Pred prenašanjem orodja vedno pritrđite vse gibljive dele.**
8. **Varnostni zatič ali ročica blokade, ki pritrđuje glavo žage, je namenjena samo za prenašanje in shranjevanje, ne za kakršno koli rezanje.**
9. **Pred uporabo pozorno pregledajte rezilo, ali je razpokano ali poškodovano.** Takoj zamenjajte počeno ali poškodovano rezilo. Guma in lesna smola, strjena na rezilu, upočasnjuje žago in poveča možnost povratnega udarca. Ohranite čisto rezilo, tako da ga najprej odstranite z orodja, ga očistite s sredstvom za odstranjevanje gume in smole, vročo vodo ali kerozinom. Rezila nikoli ne čistite z bencinom.
10. **Pri drsnem rezu lahko pride do POVRATNEGA UDARCA.** Do POVRATNEGA UDARCA pride, ko se rezilo med rezanjem zagozdi, pri čemer se rezilo žage z veliko hitrostjo usmeri proti upravljalcvu. Pri tem lahko pride do izgube nadzora nad orodjem in hudih telesnih poškodb. Če se rezilo med rezanjem začne zatikati, ne nadaljujte rezanja in takoj spustite stikalo.
11. **Uporabljajte samo prirobnice, ki jih posebej za vaše orodje priporoča proizvajalec.**
12. **Pazite, da ne poškodujete vretena, prirobnic (zlasti na delu, kjer se stika z orodjem) ali vijaka.** Poškodba teh delov lahko povzroči zlom rezila.
13. **Zagotovite, da je vrtljiva osnovna plošča pravilno pritrđena, da se med delovanjem ne bo premikala.** Uporabite odprtine v osnovni plošči, da pričvrstite žago na stabilno delovno površino ali mizo. Orodja NIKOLI ne uporabljajte, če je upravljevalec v nerodnem položaju.
14. **Preden vklopite stikalo, se prepričajte, ali je os sproščena.**
15. **Prepričajte se, da se rezilo v najnižjem položaju ne dotika vrtljive osnovne plošče.**
16. **Trdno držite ročaj.** Upoštevajte, da se žaga pri zagonu in zaustavljanju rahlo premika gor in dol.
17. **Preden vklopite stikalo, se prepričajte, da se rezilo ne dotika obdelovanca.**
18. **Pred začetkom dela na obdelovancu pustite orodje delovati nekaj časa v prostem teku.** Bodite pozorni na tresljaje ali majanje, ki bi lahko nakazovali slabo namestitvev ali ravnovesje rezila.
19. **Če opazite karkoli neobičajnega, takoj prenehajte uporabljati orodje.**

20. Ne poskušajte zapahnniti sprožilnika v vklapljenem položaju.
  21. Vedno uporabljajte pripomočke, priporočene v teh navodilih. Uporaba neustreznih pripomočkov, kot so abrazivne rezalne plošče, lahko povzroči poškodbe.
  22. Nekateri materiali vsebujejo kemikalije, ki so lahko strupene. Bodite previdni in preprečite vdihavanje prahu in stik s kožo. Upoštevajte varnostne podatke dobavitelja materiala.
  23. Za to orodje ne uporabljajte napajalnega kabla.
- Dodatna varnostna pravila za luč, ki sveti
1. Ne glejte neposredno v lučko ali vir svetlobe.

## SHRANITE TA NAVODILA.

**⚠ OPOZORILO:** NE dovolite, da bi zaradi udobnejšega dela ali znanja o uporabi izdelka (pridobljenega z večkratno uporabo) opustili strogo upoštevanje varnostnih zahtev v okviru pravilne uporabe orodja. ZLORABA ali neupoštevanje varnostnih zahtev v teh navodilih za uporabo lahko povzroči resne telesne poškodbe.

## Pomembna varnostna navodila za akumulatorsko baterijo

1. Pred uporabo baterijskega vložka preberite vsa navodila in opozorilne oznake na (1) polnilniku akumulatorja, (2) akumulatorju in (3) izdelku, ki uporablja akumulator.
2. Ne razstavlajte ali spreminjajte akumulatorske baterije. S tem lahko povzročite požar, prekomerno vročino ali eksplozijo.
3. Če se je čas delovanja občutno skrajšal, takoj prenehajte uporabljati orodje. V nasprotnem primeru lahko pride do pregretja, morebitnih opeklin in celo eksplozije.
4. Če pride elektrolit v stik z očmi, jih sperite s čisto vodo in takoj poiščite zdravniško pomoč. Posledica je lahko izguba vida.
5. Ne povzročite kratkega stika baterijskega vložka:
  - (1) Ne dotikajte se priključkov s kakršnim koli prevodnim materialom.
  - (2) Izogibajte se shranjevanju baterijskega vložka v vsebniku z drugimi kovinskimi predmeti kot so željnji, kovanci itn.
  - (3) Ne izpostavljajte baterijskega vložka vodi ali dežju.

Kratek stik akumulatorja lahko povzroči velik električni tok, pregrevanje, morebitne opeklino in celo okvaro.
6. Ne shranjujte in uporabljajte orodja in akumulatorske baterije na mestih, kjer lahko temperatura doseže ali preseže 50 °C (122 °F).
7. Ne sežigajte baterijskega vložka, tudi če je hudo poškodovan ali v celoti izprazen. Baterijski vložek lahko v ognju eksplodira.
8. Ne pribijajte, režite, drobite, mečite, spuščajte akumulatorske baterije oziroma ne udarjajte z akumulatorsko baterijo po trdem predmetu. Takšno ravnanje lahko povzroči požar, prekomerno vročino ali eksplozijo.
9. Ne uporabljajte poškodovanih akumulatorjev.

10. Priložene litij-ionske baterije ustrezajo zahtevam zakonodaje v zvezi z nevarnim blagom. Za komercialne prevoze, npr. tiste, ki jih opravljajo tretje stranke in carinski posredniki, je treba upoštevati posebne zahteve v zvezi z embalažo in označevanjem. Med postopkom priprave na odpremo izdelka se je treba posvetovati s strokovnjakom za nevarne snovi. Pri tem upoštevajte tudi podrobnejše nacionalne predpise. Odprte stike oblepite z lepilnim trakom ali jih drugače zaščitite, baterijo pa zapakirajte tako, da se v embalaži ne more premikati.
11. Ko odstranujete akumulatorsko baterijo, jo vzemite iz orodja in varno zavržite. Upoštevajte lokalne uredbe glede odlaganja baterije.
12. Baterije uporabljajte le z izdelki, ki jih določí Makita. Če namestite baterije v neskladne izdelke, lahko pride do požara, pregrevanja, eksplozije ali puščanja elektrolita.
13. Če orodja dlje časa ne uporabljate, morate iz njega odstraniti baterijo.
14. Med uporabo in po uporabi lahko akumulatorska baterija postane vroča in povzroči opeklino. Z vročimi akumulatorskimi baterijami ravnajte pazljivo.
15. Ne dotikajte se priključka orodja takoj po uporabi, ker se lahko dovolj segreje, da povzroči opeklino.
16. Ne dovolite, da bi se v priključke, odprtine in urete akumulatorske baterije zlepi ostružki, prah ali zemlja. Umazanija lahko povzroči slabše delovanje ali okvaro orodja oziroma akumulatorske baterije.
17. Razen če orodje podpira uporabo v bližini visokonapetostnih električnih vodov, akumulatorske baterije ne uporabljajte v bližini visokonapetostnih električnih vodov. Takšna uporaba lahko povzroči motnje v delovanju ali okvaro orodja oziroma akumulatorske baterije.
18. Baterijo hranite izven dosega otrok.

## SHRANITE TA NAVODILA.

**⚠ POZOR:** Uporabljajte le originalne baterije Makita. Če uporabljate neoriginalne baterije Makita ali baterije, ki so bile spremenjene, lahko pride do eksplozije baterije in posledično do požara, telesnih poškodb ali materialne škode. S takšno uporabo boste tudi razveljavili garancijo Makita za orodje in polnilnik Makita.

## Nasveti za ohranjanje največje zmogljivosti akumulatorja

1. Napolnite baterijski vložek, preden se v celoti izprazni. Ko opazite, da ima orodje manjšo moč, vedno ustavite delovanje orodja in napolnite baterijski vložek.
2. Nikoli znova ne polnite popolnoma napolnjenega baterijskega vložka. Prenapolnjenje skrajša življenjsko dobo akumulatorja.
3. Baterijski vložek s sobno temperaturo polnite pri temperaturi okolja od 10 °C do 40 °C. Počakajte, da se vroč baterijski vložek pred polnjenjem ohladi.
4. Ko akumulatorske baterije ne uporabljate, jo odstranite iz orodja ali polnilnika.
5. Če baterijskega vložka ne uporabljate dalj časa (več kot 6 mesecev), ga napolnite.

## Pomembna varnostna navodila za brezžično enoto

- Ne razstavljajte ali spreminjajte brezžične enote.
- Brezžično enoto hranite izven dosega majhnih otrok. Če pride do nenamernega zaužitja, takoj poiščite zdravniško pomoč.
- Brezžično enoto uporabljajte samo z orodji Makita.
- Brezžične enote ne izpostavljajte dežju ali mokrim pogojem.
- Brezžične enote ne uporabljajte na mestih, kjer temperatura presega 50 °C.
- Brezžične enote ne upravljajte na mestih v bližini medicinskih pripomočkov, kot so srčni spodbujevalniki.
- Brezžične enote ne upravljajte na mestih v bližini avtomatiziranih naprav. Sicer se lahko avtomatizirane naprave pokvarijo.
- Brezžične enote ne uporabljajte na mestih, kjer je visoka temperatura ali kjer lahko nastane statična električna ali električni šum.
- Brezžična enota lahko proizvaja elektromagnetna polja (EMF), ki uporabniku niso škodljiva.
- Brezžična enota je natančna naprava. Poskrbite, da brezžična enota ne bo izpostavljena padcem ali udarcem.
- Ne dotikajte se priključka brezžične enote z golimi rokami ali kovinskimi materiali.
- Ko nameščate brezžično enoto v izdelek, vedno odstranite baterijo iz izdelka.
- Ko odpirate pokrov reže, se izogibajte mestu, kjer lahko prah in voda vstopita skozi režo. Dovod reže mora biti vedno čist.
- Brezžično enoto vedno vstavite v pravi smeri.
- Gumba za brezžično aktivacijo na brezžični enoti ne pritiskajte premočno in/ali s predmetom, ki ima oster rob.
- Pri upravljanju vedno zaprite pokrov reže.
- Ne odstranjujte brezžične enote iz reže, ko je orodje priključeno na napajanje. V nasprotnem primeru lahko povzročite okvaro brezžične enote.
- Ne odstranite nalepke na brezžični enoti.
- Na brezžično enoto ne lepите nobenih nalepk.
- Brezžične enote ne puščajte na mestih, kjer lahko nastane statična električna ali električni šum.
- Brezžične enote ne puščajte na mestih z visoko temperaturo, kot je na primer na soncu segret avto.
- Brezžične enote ne puščajte na mestih, kjer je veliko prahu oziroma prašnih delcev, ali na mestih, kjer lahko nastane korozivni plin.
- Zaradi nenadne spremembe temperature se lahko brezžična enota orosi. Ne uporabljajte brezžične enote, dokler se rosa popolnoma ne posuši.
- Pri čiščenju brezžično enoto nežno obrišite s suho in mehko krpo. Ne uporabljajte bencina, razredčila, prevodne masti ipd.
- Brezžično enoto shranjujte v priloženi škatli ali brez statični posodi.
- V režo orodja lahko vstavljate smo brezžično enoto Makita in ne drugih naprav.
- Ne uporabljajte orodja, če sta reža ali pokrov poškodovana. Voda, prah in umazanija v reži lahko povzročijo okvaro.
- Pokrova reže ne vlecite in/ali obračajte več, kot je treba. Če se pokrov odstrani z orodja, ga znova namestite.
- Zamenjajte pokrov reže, če se izgubi ali poškoduje.

## SHRANITE TA NAVODILA.

## OPIS DELOV

### ► SI.2

1	Imbusni ključ	2	Prilagoditveni vijak (za največjo zmogljivost rezanja)	3	Prilagoditveni vijak (za spodnji omejitveni položaj)	4	Ustavljalna roka
5	Gumb za brezžično aktivacijo	6	Lučka brezžične aktivacije	7	Gumb za sesanje	8	Gumb za lučko
9	Ščitnik rezila	10	Zarezna plošča	11	Ročka (za vrtljivo osnovno ploščo)	12	Gumb ročke (za poševni kot)
13	Sprostitutvena ročica (za vrtljivo osnovno ploščo)	14	Prilagoditveni vijak (za vrtljivo osnovno ploščo)	15	Vodilni prisloni	16	Kazalnik (za zajeralni kot)
17	Merilo zajeralnega kota	18	Vrtljiva osnovna plošča	19	Pomožna osnovna plošča	20	Navpični primež
21	Sprostitutvena ročica (za desni poševni kot)	22	Prilagoditveni vijak za 45° (desni poševni kot)	23	Prilagoditveni vijak za 0° (poševni kot)	24	Nastavek za prah
25	Desno merilo poševnega kota	26	Kazalnik (za desni poševni kot)	27	Varnostni zatič (za premikanje nosilca)	28	Drsni drog
29	Pokrov (za brezžično enoto)	-	-	-	-	-	-

### ► SI.3

1	Odprtina za žabico	2	Sprožilec	3	Sprostilni gumb	4	Ročaj za nošenje
5	Akumulatorska baterija	6	Cev za odstranjevanje prahu	7	Levo merilo poševnega kota	8	Kazalnik (za levi poševni kot)
9	Sprostitutvena ročica (za poševni kot 48°)	10	Prilagoditveni vijak za 45° (levi poševni kot)	11	Zapora vretena	12	Vrečka za prah (ko jo zamenjate s cevjo za odstranjevanje prahu)

## NAMESTITEV

### Nameščanje mize

**▲ OPOZORILO:** Zagotovite, da se orodje ne premika po podporni površini. Premikanje zajeralne žage po podporni površini med rezanjem lahko privede do izgube nadzora in resnih telesnih poškodb.

1. Namestite podstavek na ravno in stabilno površino ter ga pritrdite z vijaki. Tako preprečite prevrnitev orodja in morebitne telesne poškodbe.

► **SI.4:** 1. Vijak 2. Odprtina v nosilcu

2. Obrnite prilagoditveni vijak v smeri (ali nasprotni smeri) urnega kazalca, da se dotakne površine tal in zagotovi stabilen položaj orodja.

► **SI.5:** 1. Prilagoditveni vijak

### Nameščanje cevi za odstranjevanje prahu

Priklopite cev za odstranjevanje prahu na orodje, kot je prikazano na sliki.

Poskrbite, da se koleno in vpenjalna glava pravilno prilegata v priključke na orodju.

► **SI.6:** 1. Cev za odstranjevanje prahu 2. Koleno 3. Vpenjalna glava 4. Priključek

Če želite odstraniti koleno iz nastavka, povlecite koleno, medtem ko držite gumb za zaklep.

Če želite vpenjalno glavo odstraniti iz priključka, jo obrnite v smeri urnega kazalca in povlecite narazen.

► **SI.7:** 1. Koleno 2. Gumb za zaklep 3. Vpenjalna glava 4. Priključek

## OPIS DELOVANJA

**▲ OPOZORILO:** Pred vsako nastavitvijo ali pregledom delovanja orodja se prepričajte, da je to izklopljeno in je akumulatorska baterija odstranjena. Če orodja ne izklopite in ne odstranite akumulatorske baterije, lahko pride do resnih telesnih poškodb zaradi nenamernega zagona.

### Nameščanje ali odstranjevanje akumulatorske baterije

**▲ POZOR:** Vedno izklopite orodje, preden namestite ali odstranite akumulatorsko baterijo.

**▲ POZOR:** Kadar nameščate ali odstranjujete akumulatorsko baterijo, trdno držite orodje in akumulatorsko baterijo. Če orodja in akumulatorske baterije ne držite trdno, se lahko zgodi, da vam zdrsneta iz rok, posledica pa je lahko poškodba orodja in akumulatorske baterije ter telesna poškodba.

► **SI.8:** 1. Rdeči indikator 2. Gumb 3. Baterijski vložek

Če želite odstraniti akumulatorsko baterijo, jo potisnite iz orodja, pri tem pa pomikajte gumb na sprednji strani vložka.

Akumulatorsko baterijo vstavite tako, da poravnate jeziček na bateriji z utorom na ohišju in jo potisnete v ležišče. Potisnite jo do konca, da se zaskoči. Če je rdeči indikator na zgornji strani gumba viden, pomeni, da baterija ni ustrezno zaklenjena.

**▲ POZOR:** Vedno namestite akumulatorsko baterijo tako, da rdeči indikator ni več viden. Če tega ne upoštevate, lahko baterija nepričakovano pade iz orodja in poškoduje vas ali osebe v neposredni bližini.

**▲ POZOR:** Ne nameščajte akumulatorske baterije s silo. Če se akumulatorska baterija ne zaskoči zlahka, ni pravilno vstavljena.

### Zaščitni sistem orodja/akumulatorja

Orodje je opremljeno z zaščitnim sistemom za orodje/akumulator. Sistem samodejno prekine napajanje orodja, da podaljša življenjsko dobo orodja in akumulatorja. Orodje se samodejno zaustavi med delovanjem, če orodje ali akumulator delujeta pod naslednjimi pogoji:

### Zaščita pred preobremenitvijo

Kadar orodje/akumulator uporabljate na način, ki povzroča uporabo neobičajno visokega toka, se orodje samodejno ustavi. V tem primeru izklopite orodje in prekinite delo, ki je povzročilo preobremenitev orodja. Nato vklopite orodje, da ga znova zaženete.

## Zaščita pred pregrevanjem

Če se orodje/akumulator pregreje, se orodje samodejno ustavi. V tem primeru pustite, da se orodje/akumulator ohladi, preden orodje znova vklopite.








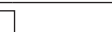








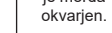



## Zaščita pred izpraznjenjem

Ko se zmogljivost akumulatorja zmanjša, se orodje samodejno ustavi. Če izdelek ne deluje, tudi če so stikala vklopljena, odstranite akumulator iz orodja in ga napolnite.

### Prikazuje preostalo raven napolnjenosti akumulatorja

Pritisnite gumb za preverjanje na baterijskem vložku, da preverite raven napolnjenosti akumulatorja. Indikatorske lučke na kratko zasvetijo.

► **SI.9:** 1. Indikatorske lučke 2. Gumb za preverjanje

Indikatorske lučke			Prizak preostale ravni napolnjenosti
 Sveti	 Ne sveti	 Utripa	
			od 75 % do 100 %
			od 50 % do 75 %
			od 25 % do 50 %
			od 0 % do 25 %
			Napolnite akumulator.
			Akumulator je morda okvarjen.
			
			

**OPOMBA:** Odvisno od pogojev uporabe in okoljske temperature se označba lahko nekoliko razlikuje od dejanske napolnjenosti.

**OPOMBA:** Prva opozorilna lučka (skrajno levo) bo utripala, ko sistem za zaščito akumulatorja deluje.

## Zaklep ročaja

**POZOR:** Pri sprostitvi varnostnega zatiča držite ročaj orodja. V nasprotnem primeru lahko ročaj odskoči in povzroči telesne poškodbe.

Med odpremo orodja je ročaj zapahnen v spodnjem položaju z varnostnim zatičem. Za odklepanje ročaja povlecite varnostni zatič in ga zavrtite za 90°, medtem ko ročaj lahko spustite.

► **SI.10:** 1. Zaklenjen položaj 2. Odklenjen položaj 3. Varnostni zatič

## Zaklepni drsnik

Povlecite varnostni zatič in ga zavrtite za 90° v odklenjenem položaju, da se lahko nosilec prosto premika. Če želite onemogočiti premikanje nosilca, potiskajte nosilec proti roki, dokler se ne zaustavi, in nato varnostni zatič vrnite v zaklenjen položaj.

► **SI.11:** 1. Zaklenjen položaj 2. Odklenjen položaj 3. Varnostni zatič 4. Roka

## Ščitnik rezila

**POZORILLO:** Nikoli ne blokirajte ali odstranite ščitnika rezila ali vzeti, ki ga pritrjuje na ščitnik. Izpostavljenost rezilo zaradi blokiranega ščitnika lahko med delovanjem povzroči hude telesne poškodbe.

**POZORILLO:** Ne uporabljajte orodja s poškodovanim, okvarjenim ali odstranjenim ščitnikom rezila ali vzmetjo. Uporaba orodja s poškodovanim, okvarjenim ali odstranjenim ščitnikom lahko privede do hudih telesnih poškodb.

**POZOR:** Ohranjajte ščitnik rezila v dobrem stanju, da zagotovite varno delovanje. V primeru nepravilnosti ščitnika rezila takoj prenehajte uporabljati orodje. Prepričajte se, da vzmetna funkcija za vrnitev ščitnika deluje.

Kadar spuščate ročaj, se ščitnik rezila samodejno dvigne. Ščitnik rezila je pod vzmetno napetostjo, zato se vrne v izhodiščni položaj, ko je rez dokončan in ročaj dvignjen.

► **SI.12:** 1. Ščitnik rezila

## Čiščenje

Če se prozorni ščitnik rezila umaže ali če se nanj prilepi lesni prah na takšen način, da rezilo (in/ali obdelovalec) ni več dobro vidno, odstranite akumulatorsko baterijo in pazljivo očistite ščitnik z vlažno krpo. Za čiščenje plastičnega ščitnika ne uporabljajte topil ali čistil na osnovi nafte, saj ga lahko poškodujete.

Upošteвайте naslednja navodila po korakih, kako ga pripravite na čiščenje.

1. Prepričajte se, da je orodje izklopljeno in akumulatorska baterija odstranjena.
  2. Z inbus ključem obrnite vijak s šestrobo torx glavo v nasprotni smeri urnega kazalca, pri tem pa držite osrednji pokrov.
  3. Dvignite ščitnik rezila in osrednji pokrov.
  4. Po končanem postopku čiščenja namestite osrednji pokrov v osnovni položaj in privijte vijak s šestrobo torx glavo ob upoštevanju zgornjih navodil v obratnem vrstnem redu.
  5. Namestite rezilo krožne žage in osrednji pokrov v njuna osnovna položaja ter z inbusnim ključem privijte šestrobi vijak.
- **SI.13:** 1. Inbusni ključ 2. Šestrobi vijak 3. Osrednji pokrov 4. Ščitnik rezila

**POZORILLO:** Ne odstranite vzmeti, ki pritrjuje ščitnik rezila. Če se ščitnik poškoduje zaradi običajne obrabe ali izpostavljenosti UV-svetlobi, se obrnite na servis Makita in naročite nov ščitnik. **NE BLOKIRAJTE ALI ODSTRANITE ŠČITNIKA.**



## Nastavljanje zarezne plošče

To orodje je opremljeno z zarezniimi ploščami v vrtljivi osnovni plošči, da se zmanjša trganje na izhodni strani reza. Zarezne plošče so tovarniško nastavljene tako, da se rezilo krožne žage zarezniimi plošč ne dotika. Pred uporabo nastavite zarezne plošče po naslednjem postopku:

1. Odstranite akumulatorsko baterijo. Sprostite vse vijake (tri na levi in na desni), ki pritrjujejo zarezne plošče.

► **Sl.14:** 1. Zarezna plošča 2. Vijak

2. Znova jih zategnite samo do te mere, da lahko z roko enostavno premikate zarezne plošče.

3. V celoti spustite ročaj ter povlecite in obrnite varnostni zatič, da zapahnete ročaj v spuščnem položaju.

4. Povlecite in zavrtite varnostni zatič na drsnem drogu, da omogočite drsenje nosilca.

► **Sl.15:** 1. Varnostni zatič

5. Povlecite nosilec do konca proti sebi.

6. Prilagodite zarezne plošče, tako da se stikajo ob strani zobcev rezila.

► **Sl.16**

► **Sl.17:** 1. Rezilo žage 2. Zobci rezila 3. Zarezna plošča 4. Levi poševni rez 5. Ravni rez 6. Desni poševni rez

7. Zategnite sprednje vijake (ne zategnite premočno).

8. Zdrsnite nosilec tako, da bo na sredi med sprednjim delom zarezniimi plošč in vodilnimi prisloni. Prilagodite zarezne plošče, tako da se stikajo ob strani zobcev rezila.

9. Zategnite osrednje vijake (ne zategnite premočno).

10. Potisnite nosilec do konca proti vodilnim prislonom in nato prilagodite zarezne plošče, tako da se stikajo ob strani zobcev rezila.

11. Zategnite zadnje vijake (ne zategnite premočno).

12. Po prilagoditvi zarezniimi plošč sprostite varnostni zatič za zaklep ročaja in dvignite ročaj. Nato trdno zategnite vse vijake.

**OBVESTILO:** Po nastavitvi poševnega kota se prepričajte, da so zarezne plošče pravilno nameščene. Pravilna prilagoditev zarezniimi plošč bo zagotovila pravilno podporo obdelovanca in zmanjšala trganje.

## Ohranjanje največje učinkovitosti rezanja

To orodje je tovarniško nastavljeno, da zagotavlja največjo zmogljivost rezanja za 216-mm rezilo žage. Kadar nameščate novo rezilo krožne žage, vedno preverite položaj spodnjega omejila rezila krožne žage in ga po potrebi prilagodite, kot sledi:

1. Odstranite baterijski vložek. Potisnite nosilec do konca proti vodilnemu prislonu in do konca spustite ročaj.

► **Sl.18:** 1. Prilagoditveni vijak 2. Vodilni prislon

2. Z inbus ključem obračajte nastavitveni vijak, dokler se rezilo krožne žage ne spusti nekoliko pod presečišče vodilnega prislona in zgornje površine vrtljive osnovne plošče.

► **Sl.19**

3. Zavrtite rezilo z roko, medtem pa držite ročaj v spodnjem položaju, da se prepričate, da se rezilo krožne žage ne dotika nobenega dela spodnje osnovne plošče. Po potrebi ponastavite.

**⚠ OPOZORILO:** Po namestitvi novega rezila krožne žage in odstranitvi akumulatorske baterije se prepričajte, da se rezilo krožne žage ne dotika nobenega dela spodnje osnovne plošče, ko je ročaj popolnoma spuščeno. Če se rezilo krožne žage dotika osnovne plošče, lahko povzroči povratni udarec in s tem resne telesne poškodbe.

► **Sl.20**

## Ustavljalna roka

Spodnji omejitveni položaj rezila krožne žage lahko enostavno prilagodite z ustavljalno roko. Za prilagoditev premaknite ustavljalno roko v smeri puščice, kot je prikazano na sliki. Obrnite prilagoditveni vijak tako, da se rezilo ustavi v želenem položaju, ko do konca spustite ročaj.

► **Sl.21:** 1. Inbus ključ 2. Prilagoditveni vijak 3. Ustavljalna roka

**⚠ POZOR:** Med nastavljanjem vedno trdno držite ročaj. Če tega ne storite, lahko nosilec odleti in vas poškoduje.

## Prilagoditev zajeralnega kota

**⚠ POZOR:** Po spremembi zajeralnega kota vedno pritrдите vrtljivo osnovno ploščo, tako da sprostitevno ročico vrnete v zaklenjeni položaj in trdno zategnete ročko.

**OBVESTILO:** Kadar vrtite vrtljivo osnovno ploščo, morate do konca dvigniti ročaj.

1. Ročko zavrtite v nasprotni smeri urnega kazalca in potisnite sprostitevno ročico navzdol v odklenjen položaj.

2. Držite in nihajte ročko z ene strani na drugo, da obrnete osnovno ploščo.

3. Poravnajte kazalnik z želenim kotom na merilu zajeralnega kota.

4. Sprostitevno ročico potisnite navzgor v zaklenjen položaj in zategnite ročko.

► **Sl.22:** 1. Ročka 2. Sprostitevna ročica 3. Zaklenjen položaj 4. Odklenjen položaj 5. Kazalnik 6. Merilo zajeralnega kota

## Funkcija pozitivne zaustavitve

Ta zajeralna žaga uporablja pozitivna ustavljalca. Desni/levi zajeralni kot 0°, 15°, 22,5°, 31,6°, 45° in 60° lahko hitro nastavite.

1. Osnovno ploščo obrnite blizu zelenega kota pozitivne zaustavitve in ob tem pritiskajte sprostitutveno ročico navzdol v odkljen položaj.
2. Sprostitutveno ročico namerno potisnite navzgor, da bo na sredi med odkljenim in zaklenjenim položajem.
3. Osnovno ploščo, ki je pod zelenim kotom pozitivne zaustavitve, obračajte, dokler se ne zaskoči.
4. Sprostitutveno ročico potisnite navzgor v zaklenjen položaj in zategnite ročko.  
► **SI.23:** 1. Kot pozitivne zaustavitve 2. Sprostitutvena ročica 3. Zaklenjen položaj 4. Odkljen položaj 5. Ročka

## Prilagoditev poševnega kota

**⚠ POZOR:** Po spremembi poševnega kota vedno pritrдите roko, tako da trdno zategnete gumb ročke v smeri urnega kazalca.

**OBVESTILO:** Pred prilagajanjem poševnega kota vedno odstranite zgornje vodilne prislone in navpični premež.

**OBVESTILO:** Pri nagibanju rezila krožne žage se prepričajte, da je nosilec povsem dvignjen.

**OBVESTILO:** Pri spremembi poševnega kota se prepričajte, da so zarezne plošče ustrezno nameščene, kot je opisano v razdelku za nastavljanje zareznihih plošč.

**OBVESTILO:** Gumba ročke ne zategnite premočno. Če ga preveč zategnete, lahko povzročite okvaro zaklepnega mehanizma poševnega kota.

## Nagibanje rezila krožne žage v levo

1. Gumb ročke zavrtite v nasprotni smeri urnega kazalca.
2. Držite ročaj in nagnite nosilec v levo.
3. Poravnajte kazalnik z zelenim kotom na merilu poševnega kota.
4. Zategnite gumb ročke v smeri urnega kazalca, da pritrдите roko.  
► **SI.24:** 1. Gumb ročke 2. Ročaj 3. Kazalnik 4. Merilo poševnega kota

## Nagibanje rezila krožne žage v desno

1. Gumb ročke zavrtite v nasprotni smeri urnega kazalca.
2. Držite ročaj in nosilec nekoliko nagnite v levo.
3. Nosilec nagnite v desno in ob tem vlecite sprostitutveno ročico za desni poševni kot.
4. Poravnajte kazalnik z zelenim kotom na merilu poševnega kota.
5. Zategnite gumb ročke v smeri urnega kazalca, da pritrдите roko.  
► **SI.25:** 1. Gumb ročke 2. Ročaj 3. Sprostitutvena ročica za desni poševni kot 4. Kazalnik 5. Merilo poševnega kota

## Nagibanje rezila krožne žage izven razpona od 0° - 45°

1. Gumb ročke zavrtite v nasprotni smeri urnega kazalca.
2. Držite ročaj in nosilec za 45° nagnite v levo ali desno.
3. Nosilec potisnite nekoliko nazaj in obrnite sprostitutveno ročico za poševni kot 48° v smeri urnega kazalca.
4. Nosilec nagibajte še bolj v levo ali desno, pri čemer ne držite sprostitutvene ročice.
5. Zategnite gumb ročke v smeri urnega kazalca, da pritrдите roko.  
► **SI.26:** 1. Gumb ročke 2. Ročaj 3. Sprostitutvena ročica za desni poševni kot 48°

## Delovanje stikala

**⚠ OPOZORILO:** Preden namestite akumulatorsko(-e) baterijo(-e) v orodje, se vedno prepričajte, da sprožilec pravilno deluje in se vrne v položaj za izklop (OFF), ko ga spustite. Ne pritiskajte sprožilca na silo, ne da bi pri tem pritisnili sprostilni gumb. Stikalo se namreč lahko zlomi. Uporaba orodja s stikalom, ki se ne sproži pravilno, lahko privede do izgube nadzora in resnih telesnih poškodb.

**⚠ OPOZORILO:** NIKOLI ne uporabljajte orodja brez popolnoma delujočega sprožilnega stikala. Vsa orodja z nedelujočim stikalom so IZJEMNO NEVARNNA in jih je treba pred nadaljnjo uporabo popraviti, sicer lahko pride do hudih telesnih poškodb.

**⚠ OPOZORILO:** NIKOLI ne onesposobite gumba za odklep, tako da ga zalepite ali podobno. Stikalo z onesposobljenim gumbom za odklep lahko privede do nenamerne delovanja in resnih telesnih poškodb.

**⚠ OPOZORILO:** NIKOLI ne uporabljajte orodja, kadar začne delovati, če pritisnete samo sprožilno stikalo in pri tem ne pritisnete gumba za odklep. Stikalo, ki ga je treba popraviti, lahko privede do nenamerne delovanja in hudih telesnih poškodb. PRED nadaljnjo uporabo vrnite orodje v servisni center Makita v ustrezno popravilo.

- **SI.27:** 1. Sprožilec 2. Sprostilni gumb 3. Odprtina za žabico

Za preprečevanje nenamerne sprožitve stikala je nameščen sprostilni gumb. Za zagon orodja hkrati pritisnite sprostilni gumb in sprožilno stikalo. Če želite ustaviti orodje, spustite sprožilec.

V sprožilcu je odprtina za vstavljanje žabice za zaklep orodja.

**⚠ OPOZORILO:** Ne uporabljajte zaklepa z nastavkom ali kablom s premerom, manjšim od 6,35 mm. Manjši nastavki ali kabel morda ne bo ustrezno zaklenil orodja v izklopljenem položaju in lahko privede do nenamerne sprožitve in resnih telesnih poškodb.

## Usmerjanje linije reza

**⚠️ POZOR:** Lučka ni vodoodporna. Lučke ne spirajte z vodo in je ne uporabljajte v dežju ali mokrem okolju. Takšna uporaba lahko povzroči električni udar in dim.

**⚠️ POZOR:** Ne dotikajte se leče lučke, saj je med delovanjem in takoj po izklopu zelo vroča. To lahko povzroči opekline.

**⚠️ POZOR:** Ne udarjajte ob lučko, ker jo lahko poškodujete ali skrajšate njeno življenjsko dobo.

**⚠️ POZOR:** Ne glejte neposredno v lučko ali vir svetlobe.

LED lučka osvetljuje rezilo krožne žage, tako da senca rezila pada na obdelovanca, kar lahko uporabljate kot črto za rezanje brez umerjanja. Za osvetlitev pritisnite gumb za lučko. Prikaže se črta, po kateri se bo rezilo dotaknilo površine obdelovanca in ki se bo razširila, ko boste začeli spuščati rezilo.

► **SI.28:** 1. Gumb za lučko 2. Lučka 3. Linija reza

Indikator pomaga pri rezanju po obstoječi črti za rezanje, narisani na obdelovancu.

1. Držite ročaj in spustite rezilo krožne žage, tako da gosta senca rezila pada na obdelovanca.
2. Črto za rezanje, ki je narisana na obdelovancu, poravnajte s senco, ki odraža črto za rezanje.
3. Po potrebi prilagodite zajeralne in poševne kote.

**OPOMBA:** Po uporabi izklopite stikalo lučke, ker z vklopom luči porabljate moč baterije.

**OPOMBA:** Lučka samodejno ugasne po 5 minutah, ko prenehate z delom.

## Elektronska funkcija

### Električna zavora

Orodje je opremljeno z električno zavoro rezila. Če se orodje po sprostitvi sprožilca ni zmoglo hitro ustaviti, odnesite orodje na popravilo v servisni center Makita.

### Uravnavanje konstantnega števila vrtljajev

Orodje je opremljeno z elektronskim nadzorom hitrosti, ki pomaga ohranjati konstantno hitrost rezila tudi pod obremenitvijo. Zaradi konstantne hitrosti vrtenja rezila bo rez zelo čist.

### Funkcija mehkega zagona

Ta funkcija omogoča gladek zagon orodja, tako da omeji zagonski vrtilni moment.

## MONTAŽA

**⚠️ OPOZORILO:** Pred vsakim izvajanjem dela na orodju se prepričajte, da je orodje izklopljeno in akumulatorska baterija odstranjena. Če orodja ne izklopite in ne odstranite akumulatorske baterije, lahko pride do resnih telesnih poškodb.

## Shranjevanje inbus ključa

Ko inbus ključa ne uporabljate, ga shranite, kot je prikazano na sliki, da ga ne izgubite.

► **SI.29:** 1. Inbus ključ

## Odstranjevanje in nameščanje rezila žage

**⚠️ OPOZORILO:** Preden odstranite ali namestite rezilo krožne žage, se vedno prepričajte, da je orodje izklopljeno in akumulatorska baterija odstranjena. Nenamerni zagon orodja lahko privede do hudih telesnih poškodb.

**⚠️ OPOZORILO:** Za odstranitev in namestitev rezila krožne žage uporabljajte samo priloženi inbusni ključ Makita. Če ne uporabite priloženega ključa, lahko pride do čezmerne ali premajhne zategnjenosti šestrobega vijaka in hudih telesnih poškodb.

**⚠️ OPOZORILO:** Ne uporabljajte ali menjajte delov, ki niso bili priloženi temu orodju. Uporaba takih delov lahko povzroči hude telesne poškodbe.

**⚠️ OPOZORILO:** Po namestitvi rezila krožne žage se prepričajte, da je trdno nameščeno. Če nastavek rezila krožne žage ni trdno nameščen, lahko pride do hudih telesnih poškodb.

## Odstranjevanje rezila

Za odstranjevanje rezila krožne žage izvedite naslednje korake:

1. Nosilec zapahnite v dvignjenem položaju, tako da povlečete varnostni zatič in ga zavrtite v zaklenjen položaj.  
► **SI.30:** 1. Varnostni zatič

2. Medtem ko držite sredinski pokrov, z inbus ključem sprostite šestrobi torx vijak, ki drži osrednji pokrov. Nato dvignite ščitnik rezila in osrednji pokrov.  
► **SI.31:** 1. Inbus ključ 2. Šestrobi vijak 3. Osrednji pokrov 4. Ščitnik rezila

3. Pritisnite zaporo vretena, da zapahnete vreteno in z inbusnim ključem odvijte šestrobi vijak v smeri urnega kazalca. Nato odstranite šestrobi vijak, zunanjo prirobnico in rezilo krožne žage.  
► **SI.32:** 1. Šestrobi vijak (levi navoj) 2. Zunanja prirobnica 3. Zapora vretena

4. Če je notranja prirobnica odstranjena, jo namestite na vreteno, tako da je nastavek za rezilo krožne žage obrnjen proti rezilu. Če je prirobnica nameščena nepravilno, se bo drgnila ob stroj.  
► **SI.33:** 1. Zunanja prirobnica 2. Rezilo krožne žage 3. Notranja prirobnica 4. Šestrobi vijak (levi navoj) 5. Vreteno 6. Nastavek za rezilo

## Nameščanje rezila

**⚠ POZOR:** Namestite rezilo krožne žage tako, da se smer puščice na rezilu ujema s smerjo puščice na ohišju rezila. Če tega ne storite, lahko pride do poškodb in poškodb orodja in/ali obdelovanca.

Za nameščanje rezila krožne žage izvedite naslednje korake:

1. Previdno namestite rezilo krožne žage na notranjo prirobnico. Prepričajte se, da se smer puščice na rezilu krožne žage ujema s smerjo puščice na ohišju rezila.  
▶ **SI.34:** 1. Puščica
2. Namestite zunanjo prirobnico in šestrobi vijak, nato pa uporabite imbusni ključ, da trdno privijete šestrobi vijak (levi navoj) v nasprotni smeri urnega kazalca, medtem ko pritiskate zaporo vretena.
3. Znova namestite ščitnik rezila in osrednji pokrov. Nato zategnite vijak s šeststrobo torx glavo osrednjega pokrova, da ga pritrdite.
4. Povlecite in zavrtite varnostni zatič, da sprostite nosilec iz dvignjenega položaja. Spustite nosilec in preverite, ali se zaščita rezila premika pravilno.

## Za orodje z notranjo prirobnico za rezilo žage s premerom luknje 15,88 mm

### Ovisno od države

Namestite notranjo prirobnico z vgreznjeno stranjo, obrnjeno navzven, na namestitveno vreteno in nato namestite rezilo krožne žage, zunanjo prirobnico in šestrobi vijak.

- ▶ **SI.35:** 1. Zunanja prirobnica 2. Rezilo krožne žage  
3. Notranja prirobnica 4. Šestrobi vijak (levi navoj) 5. Vreteno 6. Vgreznjena stran

## Za orodja z notranjo prirobnico za rezilo žage s premerom luknje, ki ni 25,4 mm ali 30 mm

### Ovisno od države

Notranja prirobnica ima določen premer nastavka za rezilo na eni strani in drugačen premer na drugi strani. Izberite ustrezno stran, na kateri se nastavek za rezilo povsem prilega v odprtino rezila krožne žage.

- ▶ **SI.36:** 1. Zunanja prirobnica 2. Rezilo krožne žage  
3. Notranja prirobnica 4. Šestrobi vijak (levi navoj) 5. Vreteno 6. Nastavek za rezilo

**⚠ POZOR:** Prepričajte se, da se nastavek za rezilo „a“ na notranji prirobnici, ki je nameščena zunaj, povsem prilega odprtini rezila krožne žage „a“. Zaradi namestitve rezila krožne žage na napačno stran lahko nastanejo nevarni tresljaji.

## Povezovanje sesalnika

Ko želite izvesti čisto rezanje, povežite sesalnik za prah Makita s sesalnim nastavkom s (zgornji odvod prahu) s pomočjo sprednje manšete 24 (dodatna oprema).

- ▶ **SI.37:** 1. Sprednje manšete 24 2. Cev 3. Sesalnik za prah

## Vrečka za prah

**⚠ POZOR:** Pri rezanju vedno namestite vrečko za prah ali priključite sesalnik za prah, da preprečite nevarnosti, povezane s prahom.

Z uporabo vrečke za prah je rezanje čisto, zbiranje prahu pa enostavno. Če želite namestiti vrečko za prah, odstranite cev za odstranjevanje prahu z orodja in namestite vrečko za prah na sesalni nastavek (zgornji odvod prahu).

- ▶ **SI.38:** 1. Cev za odstranjevanje prahu 2. Vrečka za prah 3. Sesalni nastavek (zgornji odvod prahu)

Ko je vrečka za prah napolnjena približno do polovice, jo odstranite z orodja in izvlecite sponko. Vrečko za prah izpraznite z rahlim udarjanjem, da se odstranijo delci, ki so se sprjeli v notranjosti in bi lahko ovirali nadaljnje zbiranje prahu.  
▶ **SI.39:** 1. Sponka

## Pritrjevanje obdelovanca

**⚠ OPOZORILO:** Izjemno pomembno je, da vedno pravilno zavarujete obdelovanca z ustreznim primežem. Če tega ne storite, lahko pride do resnih telesnih poškodb in poškodb orodja in/ali obdelovanca.

**⚠ OPOZORILO:** Kadar režete obdelovanca, ki je daljši od oporne osnovne plošče žage, je treba material podpreti po vsej dolžini izven oporne osnovne plošče in na isti višini, da se ohrani vodoravnost materiala. Ustrezna opora obdelovanca preprečuje zagodenje rezila in morebitne povratne udarce, ki lahko povzročijo resne telesne poškodbe. Pri pritrditvi obdelovanca se ne zanašajte izključno na navpični in/ali vodoravni primež. Tanek material se lahko povesi. Podprite obdelovanca po celotni dolžini, da preprečite zagozditve rezila in morebitni POVRATNI UDAREC.

- ▶ **SI.40:** 1. Podpora 2. Vrtljiva osnovna plošča

## Vodilni prisloni

**⚠ OPOZORILO:** Pred uporabo orodja se pripravite, da je zgornji drsni prislon trdno pritrjen.

**⚠ OPOZORILO:** Pred izvedbo poševnega reza se pripravite, ali ni kateri del orodja, zlasti rezilo, v stiku z zgornjim in spodnjim prislonom, kadar v celoti spustite in dvignete ročaj v kateri koli položaj in kadar premikate nosilec po celotni dolžini. Če se rezilo dotakne prislona, lahko pride do povratnega udarca ali nepričakanega premika materiala ter hudih telesnih poškodb.

Zgornje prislone uporabite za podpiranje materiala, ki je višje od spodnjih prislonov. Odvijte vpenjalni vijak, da lahko zgornji prisloni drsijo sem in tja po spodnjih prislonih. Prestavite prislone in privijte vijak.

- ▶ **SI.41:** 1. Zgornji prislon 2. Spodnji prislon  
3. Vpenjalni vijak 4. Prilagoditveni vijak

**OBVESTILO:** Spodnji prisloni so tovarniško pritrjeni na osnovno ploščo. Ne odstranjujte spodnjih prislonov.

**OBVESTILO:** Če zgornji prislon po privitju vpenjalnega vijaka še vedno ni čvrsto pritrjen, obrnite prilagoditveni vijak, da ga čvrsteje pritrdite. Prilagoditveni vijak je tovarniško prilagojen. Uporabite ga samo po potrebi.

## Navpični primež

**⚠ OPOZORILO:** Obdelovanec mora biti med vsako uporabo s primežem trdno pritrjen ob vrtljivo osnovno ploščo in vodilne prislone. Če obdelovanec ni ustrezno pritrjen ob prislone, se lahko material med rezanjem premakne in morebiti povzroči poškodbe rezila, zaradi česar lahko pride do izmeta materiala in izgube nadzora, posledica pa so lahko hude telesne poškodbe.

Navpični primež lahko namestite v dva položaja, vsakega na levo ali desno stran osnovne plošče. Vstavite drog primeža v eno od lukenj na osnovni plošči. Namestite ročico primeža glede na debelino in obliko obdelovanca in jo pritržite, tako da zategnete vpenjalni vijak. Če je vpenjalni vijak v stiku z nosilcem, ga namestite na nasprotno stran od ročice primeža. Zagotovite, da se noben del orodja ne dotika primeža, kadar v celoti spustite ročaj. Če se kateri koli del dotika primeža, prestavite primež.

Obdelovanca pritisnite plosko ob vodilne prislone in vrtljivo osnovno ploščo. Nastavite obdelovanca v želeni položaj za rezanje in ga trdno pritržite z zategovanjem gumba primeža.

► **SI.42:** 1. Odprtini 2. Drog primeža 3. Ročica primeža 4. Vpenjalni vijak 5. Vrtljivi gumb primeža

## Vodoravni primež

### Dotatna oprema

**⚠ OPOZORILO:** Držalo matice vedno vrtite v smeri urnega kazalca, dokler ni obdelovanec ustrezno pritrjen. Če obdelovanec ni ustrezno pritrjen, se lahko material med rezanjem premakne in morebiti povzroči poškodbe rezila krožne žage, zaradi česar lahko pride do izmeta materiala in izgube nadzora, posledica pa so lahko hude telesne poškodbe.

**⚠ OPOZORILO:** Kadar režete tanke obdelovance, npr. osnovne deske, z uporabo prislona, vedno uporabite vodoravni primež.

**⚠ POZOR:** Pri rezanju obdelovanca debeline 20 mm ali manj, pazite, da boste obdelovanca zavarovali z distančnim blokom.

Vodoravni primež lahko namestite na levo ali desno stran osnovne plošče. Kadar izvajate 22,5° ali večje zajeralne reze, namestite vodoravni primež na stran, ki je nasprotna smeri, v katero boste obrnili vrtljivo osnovno ploščo.

Če obrnete držalo matice v nasprotni smeri urnega kazalca, se primež sprostí in ga lahko hitro premikate noter in ven. Za pritržitev obdelovanca potisnite vrtljivi gumb primeža, da se čeljust primeža dotakne obdelovanca, nato pa obrnite držalo matice v smeri urnega kazalca. Nato obrnite vrtljivi gumb primeža v smeri urnega kazalca, da pritržite obdelovanec.

► **SI.43:** 1. Čeljust primeža 2. Držalo matice 3. Vrtljivi gumb primeža

**OPOMBA:** Največja širina obdelovanca, ki ga lahko pritržite z vodoravnim primežem, je 68 mm.

## Pomožna osnovna plošča

**⚠ OPOZORILO:** Vedno podprite dolg obdelovanec, tako da je poravnán z zgornjo površino vrtljive osnovne plošče. Tako zagotovite natančno rezanje in preprečite morebitno nevarno izgubo nadzora nad orodjem. Ustrezna opora obdelovanca bo pomagala preprečiti zagozdenje rezila in morebitni povratni udarec, ki lahko povzroči hude telesne poškodbe.

**⚠ OPOZORILO:** Pred začetkom rezanja se pripravite, da so pomožne osnovne plošče trdno pritrvene.

Pomožne osnovne plošče na obeh straneh orodja omogočajo postavitev dolgega obdelovanca v vodoravni položaj. Odvijte vijake in razširite pomožne osnovne plošče na primerno dolžino za držanje obdelovanca. Nato privijte vijake.

► **SI.44:** 1. Pomožna osnovna plošča 2. Vijak

Med rezanjem postavite obdelovanec plosko ob vodilne prislone.

► **SI.45:** 1. Vodilni prislone 2. Pomožna osnovna plošča

## UPRAVLJANJE

To orodje je zasnovano za rezanje lesenih izdelkov. Z ustreznimi originalnimi rezili žage Makita lahko žagate tudi spodaj naštetih materiale:

— izdelke iz aluminija

Za ustrezna rezila krožne žage, ki jih morate uporabiti za material, ki ga boste rezali, obiščite naše spletno mesto ali se obrnite na lokalnega prodajalca izdelkov Makita.

**⚠ OPOZORILO:** Preden vklopite stikalo, se pripravite, da se rezilo krožne žage ne dotika obdelovanca ipd. Če vklopite orodje, medtem ko se rezilo krožne žage dotika obdelovanca, lahko pride do povratnega udara in hudih telesnih poškodb.

**⚠ OPOZORILO:** Po rezanju ne dvigujte rezila krožne žage, dokler se popolnoma ne ustavi. Dvigovanje rezila v prostem teku lahko privede do hudih telesnih poškodb in poškodb obdelovanca.

**⚠ OPOZORILO:** Ne prilagajajte orodja, npr. vrtite ročaja, ročic, varnostnega zatiča na orodju, ko se rezilo krožne žage vrti, lahko povzroči hude telesne poškodbe.

**OBVESTILO:** Pred uporabo poskrbite, da odstranite varnostni zatič in sprostite ročico iz spuščene položaja.

**OBVESTILO:** Med rezanjem ne pritiskajte premočno na ročaj. Prevelika sila lahko povzroči preobremenitev motorja in/ali zmanjšano učinkovitost rezanja. Potisnite ročaj navzdol le tako močno, kot je potrebno za gladko rezanje, ki ne bo zmanjšalo hitrosti rezila.

**OBVESTILO:** Nežno pritisnite ročaj navzdol, da izvedete rez. Če ročaj pritisnete premočno ali pritiskate bočno, lahko rezilo krožne žage vibrira in pusti sledi (sledi žaganja) v obdelovancu, natančnost reza pa bo morda slabša.

**OBVESTILO:** Med drsnim rezom nežno potisnite nosilec proti vodilnim prislonom brez ustavljanja. Če gibanje nosilca med rezanjem prekinete, lahko v obdelovancu pustite vidno sled, natančnost reza pa bo morda slabša.

## Pritisno rezanje

**⚠ OPOZORILO:** Vedno onemogočite premikanje nosilca, ko izvajate pritisno rezanje. Rezanje brez onemogočenega premikanja lahko povzroči povratni udarec, kar lahko privede do hudih telesnih poškodb.

Obdelovanca višine do 70 mm in širine do 92 mm lahko režete na naslednji način.

1. Potiskajte nosilec proti vodilnim prislonom, dokler se ne zaustavi, in ga zapahnite z varnostnim zatičem.
2. Pritrdite obdelovanca z ustreznim primežem.
3. Kadar rezilo krožne žage ni v stiku z obdelovancem, vklopite stroj in počakajte, da rezilo krožne žage pred spuščanjem doseže polno število vrtljajev.
4. Nato nežno spustite ročaj do konca, da zarezete v obdelovanca.
5. Ko je rez končan, izklopite orodje in **počakajte, da se rezilo krožne žage povsem zaustavi**, in šele nato premaknite rezilo krožne žage v najvišji položaj.

► **SI.46:** 1. Varnostni zatič

## Drсно (potisno) rezanje (rezanje širokih obdelovancev)

**⚠ OPOZORILO:** Kadar izvajate drsni rez, najprej povlecite nosilec do konca proti sebi in pritisnite ročaj do konca navzdol, nato pa potisnite nosilec proti vodilnemu prislonu. Nikoli ne začnite reza, če nosilec ni v celoti povlečen proti vam. Če izvedete drsni rez, ne da bi bil nosilec v celoti povlečen proti vam, lahko pride do nepričakovanega povratnega udarca in hudih telesnih poškodb.

**⚠ OPOZORILO:** Nikoli ne poskušajte izvesti poševnega reza z vlečenjem nosilca proti sebi. Vlečenje nosilca proti sebi med rezanjem bo povzročilo nepričakovan povratni udarec, ki lahko privede do hudih telesnih poškodb.

**⚠ OPOZORILO:** Nikoli ne izvajajte poševnega reza z zaklenjenim ročajem v spuščnem položaju.

1. Odklenite varnostne zatiče, tako da se lahko nosilec dvigne in prosto drsi.
  2. Pritrdite obdelovanca z ustreznim primežem.
  3. Povlecite nosilec do konca proti sebi.
  4. Kadar rezilo krožne žage ni v stiku z obdelovancem, vklopite stroj in počakajte, da rezilo krožne žage doseže polno število vrtljajev.
  5. Pritisnite ročaj navzdol in **potisnite nosilec proti vodilnim prislonom in skozi obdelovanec**.
  6. Ko je rez končan, izklopite orodje in **počakajte, da se rezilo krožne žage povsem zaustavi**, in šele nato premaknite rezilo krožne žage v najvišji položaj.
- **SI.47:** 1. Varnostni zatič za zaklep ročaja  
2. Varnostni zatič za zaklepni drsnik

## Zajeralno rezanje

Glejte razdelek, ki opisuje prilagoditev zajeralnega kota.

## Poševno rezanje

**⚠ OPOZORILO:** Po nastavitvi rezila krožne žage za poševni rez se prepričajte, da imata nosilec in rezilo krožne žage prosto pot po celotnem območju, kjer name ravate rezati, in to še preden začnete uporabljati orodje. Prekinitev poti nosilca ali rezila krožne žage med rezanjem lahko povzroči povratni udarec in hude telesne poškodbe.

**⚠ OPOZORILO:** Med poševnim rezanjem ne segajte z rokami na linijo reza rezila krožne žage. Kot rezila krožne žage lahko zmede upravljavca glede dejanske poti rezila med rezanjem, stik z rezilom krožne žage pa bo privedel do hudih telesnih poškodb.

**⚠ OPOZORILO:** Rezila krožne žage ne dvigajte, dokler se popolnoma ne zaustavi. Med poševnim rezanjem se lahko odrezani del zatakne za rezilo krožne žage. Če dvignete rezilo krožne žage, medtem ko se vrti, lahko rezilo krožne žage izvrže odrezani del, kar bo povzročilo drobljenje materiala, ki lahko privede do hudih telesnih poškodb.

**OBVESTILO:** Kadar pritisnete ročaj navzdol, pritisnite vzporedno z rezilom krožne žage. Če silo izvajate pravokotno na vrtljivo osnovno ploščo ali če se smer izvajanja pritiska med rezanjem spremeni, bo natančnost reza slabša.

1. Odstranite zgornji prislon na tisti strani, kjer želite nagniti nosilec.
  2. Odklenite varnostne zatiče, tako da se lahko nosilec dvigne in prosto drsi.
  3. Prilagodite poševni kot v skladu s postopkom, ki je opisan v razdelku za prilagoditev poševnega kota. Nato zategnite gumb ročke.
  4. Obdelovanec pritrdite s primežem.
  5. Povlecite nosilec do konca proti sebi.
  6. Kadar rezilo krožne žage ni v stiku z obdelovancem, vklopite stroj in počakajte, da rezilo krožne žage doseže polno število vrtljajev.
  7. Previdno spustite ročaj v najnižji položaj, medtem ko vzporedno pritisnete na rezilo krožne žage, in **potisnite nosilec proti vodilnim prislonom, da zarezete v obdelovanec**.
  8. Ko je rez končan, izklopite orodje in **počakajte, da se rezilo krožne žage povsem zaustavi**, in šele nato premaknite rezilo krožne žage v najvišji položaj.
- **SI.48**

## Sestavljeno rezanje

Sestavljeno rezanje je proces, v katerem se v obdelovanca izvede poševni rez, v katerega se nato izreže zajeralni rez. Sestavljeno rezanje se lahko izvede pod kotom, prikazanim v tabeli.

Zajeralni kot	Poševni kot
Levo in desno 0° - 45°	Levo in desno 0° - 45°

Kadar izvajate sestavljeno rezanje, glejte razdelke za pritisno rezanje, drsno (potisno) rezanje, zajeralno rezanje in poševno rezanje.

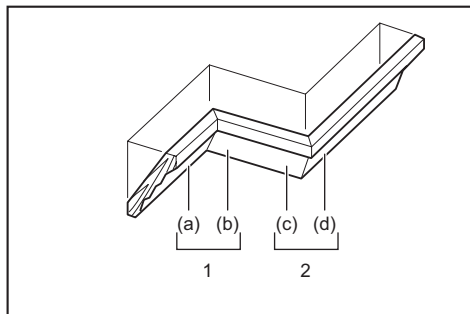
## Rezanje kronskih in votlih kalupov

Kronske in votle kalupe lahko režete s sestavljeno zajeralno žago s kalupi, plosko položenimi na vrtljivo osnovno ploščo.

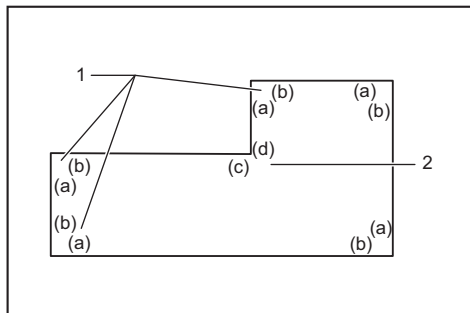
Obstajata dve običajni vrsti kronskih kalupov in ena vrsta votlih kalupov; kronski kalup s stranskim kotom 52/38°, kronski kalup s stranskim kotom 45° in votli kalup s stranskim kotom 45°.

► **Sl.49:** 1. Kronski kalup tipa 52/38° 2. Kronski kalup tipa 45° 3. Votli kalup tipa 45°

Obstajajo spoji kronskih in votlih kalupov, ki so izdelani tako, da se prilagajo v „notranje“ kote 90° ((a) in (b) na sliki) in „zunanj“ kote 90° ((c) in (d) na sliki).



1. Notranji kot 2. Zunanji kot



1. Notranji kot 2. Zunanji kot

## Merjenje

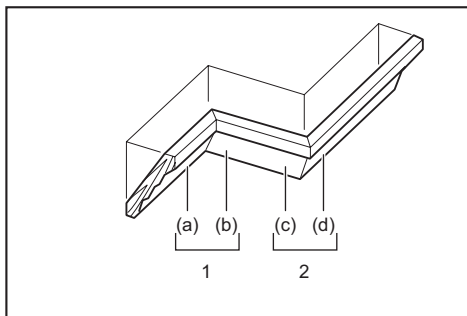
Izmerite širino stranice in ustrezno prilagodite širino obdelovanca. Vedno se prepričajte, da je širina stranskega stičnega roba obdelovanca enaka njegovi dolžini.

► **Sl.50:** 1. Obdelovanec 2. Širina stranice 3. Širina obdelovanca 4. Stranski stični rob

Vedno uporabite nekaj testnih kosov, da preverite rezanje kotov.

Kadar režete kronske in votle kalupe, nastavite poševni in zajeralni kot, kot je prikazano v tabeli (A) in nastavite kalupe na zgornjo površino osnovne plošče žage, kot je prikazano v tabeli (B).

## V primeru levega poševnega reza



1. Notranji kot 2. Zunanji kot

Tabela (A)

-	Položaj kalupa na sliki	Poševni kot		Zajeralni kot	
		Tip 52/38°	Tip 45°	Tip 52/38°	Tip 45°
Za notranji kot	(a)	Levo 33,9°	Levo 30°	Desno 31,6°	Desno 35,3°
	(b)			Levo 31,6°	Levo 35,3°
Za zunanji kot	(c)			Desno 31,6°	Desno 35,3°
	(d)				

Tabela (B)

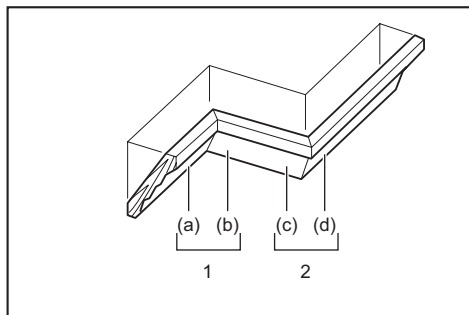
-	Položaj kalupa na sliki	Rob kalupa ob vodilnem prislonu	Dokončani kos
Za notranji kot	(a)	Zgornji stični rob mora biti ob vodilnem prislonu.	Dokončani kos bo na levi strani rezila.
	(b)	Stranski stični rob mora biti ob vodilnem prislonu.	
Za zunanji kot	(c)	Zgornji stični rob mora biti ob vodilnem prislonu.	Dokončani kos bo na desni strani rezila.
	(d)	Zgornji stični rob mora biti ob vodilnem prislonu.	

Primer:

Če režete kronski kalup 52/38° za položaj (a) na zgornji sliki:

- nagnite in zavarujte nastavev poševnega kota na 33,9° LEVO.
- prilagodite in zavarujte nastavev zajeralnega kota na 31,6° DESNO.
- Položite kronski kalup s širšim delom (skritim) površine na vrtljivo osnovno ploščo, tako da se ZGORNJI STIČNI ROB dotika vodilnega prislona žage.
- Dokončani kos, ki ga boste uporabili, bo po rezanju vedno na LEVI strani rezila krožne žage.

## V primeru desnega poševnega reza



1. Notranji kot 2. Zunanji kot

Tabela (A)

–	Položaj kalupa na sliki	Poševni kot		Zajeralni kot	
		Tip 52/38°	Tip 45°	Tip 52/38°	Tip 45°
Za notranji kot	(a)	Desno 33,9°	Desno 30°	Desno 31,6°	Desno 35,3°
	(b)			Levo 31,6°	Levo 35,3°
Za zunanji kot	(c)			Desno 31,6°	Desno 35,3°
	(d)				

Tabela (B)

–	Položaj kalupa na sliki	Rob kalupa ob vodilnem prislonu	Dokončani kos
Za notranji kot	(a)	Stranski stični rob mora biti ob vodilnem prislonu.	Dokončani kos bo na desni strani rezila.
	(b)	Zgornji stični rob mora biti ob vodilnem prislonu.	
Za zunanji kot	(c)	Stranski stični rob mora biti ob vodilnem prislonu.	Dokončani kos bo na levi strani rezila.
	(d)		

Primer:

Če režete kronski kalup 52/38° za položaj (a) na zgornji sliki:

- Nagnite in zavarujte nastavek poševnega kota na 33,9° DESNO.
- prilagodite in zavarujte nastavek zajeralnega kota na 31,6° DESNO.
- Položite kronski kalup s širšim delom (skritim) površine na vrtljivo osnovno ploščo, tako da se STRANSKI STIČNI ROB dotika vodilnega prislona žage.
- Dokončani kos, ki ga boste uporabili, bo po rezanju vedno na DESNI strani rezila krožne žage.

## Rezanje aluminijastih profilov

- **SI.51:** 1. Primež 2. Distančni blok 3. Vodilni prislon 4. Aluminijasti profil 5. Distančni blok

Kadar pritrujete aluminijaste profile, uporabite distančne bloke ali odpadne dele, kot je prikazano na sliki, da preprečite deformacije aluminija. Pri rezanju aluminijastih profilov uporabite mazivo, da preprečite prijetje aluminija na rezilo krožne žage.

**⚠ OPOZORILO:** Nikoli ne režite debelih ali okroglih aluminijastih profilov. Debele ali okrogle aluminijaste profile je težko pritrditi in izdelek se lahko med rezanjem premakne, kar lahko privede do izgube nadzora in hudih telesnih poškodb.

## Rezanje utorov

**⚠ OPOZORILO:** Ne poskušajte izvajati te vrste reza z uporabo širšega ali žlebilnega rezila. Če boste rezali utore s širšim ali žlebilnim rezilom, lahko pride do nepričakovanih rezultatov rezanja in povratnega udarca, ki lahko privede do hudih telesnih poškodb.

**⚠ OPOZORILO:** Kadar ne režete utorov, ne pozabite vrniti ustavljalne roke v prvotni položaj. Če boste poskušali rezati z ustavljalno roko v nepravilnem položaju, lahko pride do nepričakovanih rezultatov rezanja in povratnega udarca, ki lahko privede do hudih telesnih poškodb.

Za žlebilno rezanje upoštevajte ta navodila:

1. Prilagodite spodnji omejevalni položaj rezila krožne žage z uporabo nastavitvenega vijaka in ustavljalne roke, da omejite globino reza rezila krožne žage. Glejte razdelek, ki opisuje ustavljalno roko.
2. Po nastavitvi spodnjega omejevalnega položaja rezila krožne žage z drsnim (potisnim) rezom ustvarite vzporedne zarezne po celotni širini obdelovanca.
  - **SI.52:** 1. Izrezana utora
3. Odstranite material obdelovanca med utori z dletom.

## Prenašanje orodja

Pred prenašanjem orodja odstranite akumulatorsko baterijo in se prepričajte, da so vsi premikajoči se deli zajeralne žage zaskočeni. Vedno preverite naslednje:

- Akumulatorska baterija je odstranjena.
- Nosilec je zaskočen v položaju pod poševnim kotom 0°.
- Nosilec je spuščen in zapahnen.
- Nosilec je pomaknjen povsem do vodilnih prislonov in zapahnen.
- Vrtljiva osnovna plošča je v položaju pod največjim zajeralnim kotom in je zaskočena.
- Pomožna osnovna plošča je pospravljena in pritrdjena.

Nosite orodje za ročaj ali tako, da ga držite na obeh straneh za osnovno ploščo.

► **SI.53**

► **SI.54**

**⚠ OPOZORILO:** Varnostni zatič za dvigovanje nosilca je namenjen samo za prenašanje in shranjevanje in ne za kakršno koli rezanje. Uporaba varnostnega zatiča za rezanje lahko povzroči nepričakovano premikanje rezila krožne žage, zaradi česar pride do povratnega udarca in hudih telesnih poškodb.



**⚠️ POZOR:** Pred prenašanjem orodja vedno pritrdite vse gibljive dele. Če se deli orodja premikajo ali zdrsnejo med nošnjo, lahko pride do izgube nadzora ali ravnotežja in s tem do telesnih poškodb.

**⚠️ POZOR:** Prepričajte se, da je mehanizem za dvig nosilca na spodnjem delu pravilno zaklenjen z varnostnim zatičem. Če varnostni zatič ni pravilno aktiviran, lahko nosilec nenadoma odleti in vas poškoduje.

## FUNKCIJA BREŽIČNE AKTIVACIJE

### Kaj lahko storite s funkcijo brezžične aktivacije

Funkcija brezžične aktivacije omogoča nemoteno in udobno upravljanje. Če na orodje pritrdite podprt sesalnik za prah, lahko sesalnik za prah zaženete samodejno z upravljanjem stikala na orodju.

► **SI.55**

Za uporabo funkcije brezžične aktivacije pripravite naslednje stvari:

- brezžično enoto (izbirna dodatna oprema),
- sesalnik za prah, ki podpira funkcijo brezžične aktivacije.

Pregled nastavitve funkcije brezžične aktivacije je sledeč. Za podrobne postopke glejte posamezni razdelek.

1. Nameščenje brezžične enote
2. Registracija orodja za sesalnik za prah
3. Zagon funkcije brezžične aktivacije

### Nameščenje brezžične enote

#### Dodatna oprema

**⚠️ POZOR:** Pri nameščanju brezžične enote položite orodje na ravno in stabilno površino.

**OBVESTILO:** Z orodja očistite prah in umazanijo, preden namestite brezžično enoto. Prah in umazanija lahko povzročita okvaro, če prideta v režo brezžične enote.

**OBVESTILO:** Okvaro zaradi statike preprečite tako, da se dotaknete materiala za sprostitve statičnega naboja, kot je kovinski del orodja, preden primete brezžično enoto.

**OBVESTILO:** Pri nameščanju brezžične enote se vedno prepričajte, da je brezžična enota vstavljena v pravi smeri in je pokrov popolnoma zaprt.

1. Odprite pokrov na orodju, kot je prikazano na sliki.
- **SI.56:** 1. Pokrov

2. Vstavite brezžično enoto v režo in zaprite pokrov.

Ko vstavljate brezžično enoto, poravnajte izbokline z vbočnimi deli v reži.

► **SI.57:** 1. Brezžična enota 2. Izboklina 3. Pokrov 4. Vbočen del

Ko odstranjujete brezžično enoto, počasi odprite pokrov. Kavljici na zadnji strani pokrova bodo dvignili brezžično enoto, ko dvignete pokrov.

► **SI.58:** 1. Brezžična enota 2. Kavelj 3. Pokrov

Ko odstranite brezžično enoto, jo shranite v priloženi škatli ali brez statični posodi.

**OBVESTILO:** Pri odstranjevanju brezžične enote vedno uporabite kavljice na zadnji strani pokrova. Če se kavljici ne zapnejo za brezžično enoto, popolnoma zaprite pokrov in ga znova počasi odprite.

### Registracija orodja za sesalnik za prah

**OPOMBA:** Za registracijo orodja je potreben sesalnik za prah Makita, ki podpira funkcijo brezžične aktivacije.

**OPOMBA:** Pred registracijo orodja najprej namestite brezžično enoto v orodje.

**OPOMBA:** Med registracijo orodja ne obračajte naslednjih stikal:

- sprožilec na orodju
- stikalo za sesanje na orodju
- stikalo za vklop/izklop na sesalniku za prah

**OPOMBA:** Preberite navodila za uporabo sesalnika za prah.

Če želite aktivirati sesalnik za prah z upravljanjem stikala na orodju, pred tem zaključite registracijo orodja.

1. Namestite baterije v sesalnik za prah in orodje.

2. Stikalo za stanje pripravljenosti na sesalniku za prah nastavite na položaj „AUTO“.

► **SI.59:** 1. Stikalo za stanje pripravljenosti

3. Držite gumb za brezžično aktivacijo na sesalniku za prah 3 sekunde, dokler lučka brezžične aktivacije ne utripa zeleno. Nato enako storite z gumbom za brezžično aktivacijo na orodju.

► **SI.60:** 1. Gumb za brezžično aktivacijo 2. Lučka brezžične aktivacije

Če se sesalnik za prah in orodje uspešno povežeta, lučki brezžične aktivacije za 2 sekundi zasvetita zeleno in začneta utripati modro.

**OPOMBA:** Lučki brezžične aktivacije nehata utripati zeleno po 20 sekundah. Pritisnite gumb za brezžično aktivacijo na orodju, medtem ko lučka brezžične aktivacije na čistilniku utripa. Če lučka brezžične aktivacije ne utripa zeleno, za kratek čas znova pridržite gumb za brezžično aktivacijo.

**OPOMBA:** Če izvajate več kot dve registraciji orodja za sesalnik za prah, končajte registracijo orodja eno za drugo.

### Zagon funkcije brezžične aktivacije

**OPOMBA:** Dokončajte registracijo orodja za sesalnik za prah pred brezžično aktivacijo.

**OPOMBA:** Preberite navodila za uporabo sesalnika za prah.

Ko registrirate orodje s sesalnikom za prah, sesalnik za prah samodejno deluje z upravljanjem stikala na orodju. Povlecite sprožilec na orodju, da med delovanjem deluje kot sesalnik za prah. Sesalnik za prah se tudi zažene, če pritisnete gumb za sesanje na orodju pri katerem koli rezanju.

► **SI.61**

1. Namestite brezžično enoto v orodje.

2. Cev sesalnika za prah priključite na orodje.

► **SI.62**

3. Stikalo za stanje pripravljenosti na sesalniku za prah nastavite na položaj „AUTO“.

► **SI.63:** 1. Stikalo za stanje pripravljenosti

4. Na kratko pritisnite gumb za brezžično aktivacijo na orodju. Lučka brezžične aktivacije utripa modro.

► **SI.64:** 1. Gumb za brezžično aktivacijo 2. Lučka brezžične aktivacije

5. Povlecite sprožilec orodja. Preverite, ali sesalnik za prah deluje, ko povlečete sprožilec.

6. Pritisnite gumb za sesanje, da vklopite sesalnik za prah. Preverite, ali se lučka za brezžično aktivacijo prižge v modri barvi in sesalnik deluje še naprej, dokler znova ne pritisnete gumb.

7. Sesanje prekinete, če spustite sprožilec ali znova pritisnete gumb za sesanje. Sesalnik za prah ugasne po nekaj sekundah, ko uporabite stikalo, nato pa začne lučka utripati v modri barvi.

**OPOMBA:** Stanje stikala (vklop/izklop sesalnika) lahko preverite z lučko za brezžično aktivacijo. Za podrobnosti glejte razdelek z opisi stanja lučke za brezžično aktivacijo.

8. Če želite zaustaviti brezžično aktivacijo sesalnika za prah, pritisnite gumb za brezžično aktivacijo na orodju.

**OPOMBA:** Lučka brezžične aktivacije na orodju bo nehala utripati modro, ko orodje ne deluje 2 uri. V tem primeru nastavite stikalo za stanje pripravljenosti na sesalniku za prah na položaj „AUTO“ in znova pritisnite gumb za brezžično aktivacijo na orodju.

**OPOMBA:** Sesalnik za prah se zažene/zaustavi z zamikom. Sesalnik za prah zazna upravljanje stikala na orodju s časovnim zamikom.



**OPOMBA:** Domet brezžične enote se lahko razlikuje glede na pogoje lokacije in okolice.

**OPOMBA:** Kadar sta z enim sesalnikom za prah registrirani dve ali več orodij, se lahko sesalnik za prah zažene tudi, če ne povlečete sprožilec ali pritisnete gumb za sesanje, ker funkcijo brezžične aktivacije uporablja drug uporabnik.

## Opis stanja lučke brezžične aktivacije

► **SI.65:** 1. Lučka brezžične aktivacije

Lučka brezžične aktivacije prikazuje stanje funkcije brezžične aktivacije. Glejte spodnjo tabelo glede pomena stanja lučke.

Stanje	Lučka brezžične aktivacije				Opis
	Barva	 Sveti	 Utripa	Trajanje	
Pripravljenost	Modra	<input checked="" type="checkbox"/>		2 uri	Brezžična aktivacija sesalnika za prah je na voljo. Lučka se samodejno ugasne, ko orodje ne deluje 2 uri.
		<input type="checkbox"/>		Ko orodje deluje.	Brezžična aktivacija sesalnika za prah je na voljo in orodje deluje.
Registracija orodja	Zelena	<input checked="" type="checkbox"/>		20 sekund	Pripravljeno na registracijo orodja. Čakanje na registracijo sesalnika za prah.
		<input type="checkbox"/>		2 sekundi	Registracija orodja je končana. Lučka brezžične aktivacije začne utripati modro.
Preklic registracije orodja	Rdeča	<input checked="" type="checkbox"/>		20 sekund	Pripravljeno na preklic registracije orodja. Čakanje na preklic pri sesalniku za prah.
		<input type="checkbox"/>		2 sekundi	Preklic registracije orodja je končan. Lučka brezžične aktivacije začne utripati modro.
Drugo	Rdeča	<input type="checkbox"/>		3 sekunde	Brezžična enota je priključena in funkcija brezžične aktivacije se zaganja.
	Ne sveti	-		-	Brezžična aktivacija sesalnika za prah je zaustavljena.

## Preklic registracije orodja za sesalnik za prah

Za preklic registracije orodja za sesalnik za prah izvedite naslednji postopek.

1. Namestite baterije v sesalnik za prah in orodje.

2. Stikalo za stanje pripravljenosti na sesalniku za prah nastavite na položaj „AUTO“.

► **SI.66:** 1. Stikalo za stanje pripravljenosti

3. Držite gumb za brezžično aktivacijo na sesalniku za prah 6 sekund. Lučka brezžične aktivacije utripa zeleno in zasveti rdeče. Nato storite enako z gumbom za brezžično aktivacijo na orodju.

► **SI.67:** 1. Gumb za brezžično aktivacijo 2. Lučka brezžične aktivacije

Če je preklic uspešen, lučki brezžične aktivacije za 2 sekundi zasvetita rdeče in začeta utripati modro.

**OPOMBA:** Lučki brezžične aktivacije nehata utripati rdeče po 20 sekundah. Pritisnite gumb za brezžično aktivacijo na orodju, medtem ko lučka brezžične aktivacije na čistilniku utripa. Če lučka brezžične aktivacije ne utripa rdeče, za kratek čas znova pridržite gumb za brezžično aktivacijo.

## Odpravljanje težav s funkcijo brezžične aktivacije

Preden zahtevate popravilo, izvedite lasten pregled. Če naletite na težavo, ki ni pojasnjena v navodilih, ne poskušajte razstavljati orodja. Namesto tega se obrnite na pooblaščen servis Makita. Pri popravilih vedno uporabljajte nadomestne dele Makita.

Neobičajno stanje	Možni vzroki (okvare)	Ukrep
Lučka brezžične aktivacije ne sveti/utripa.	Brezžična enota ni nameščena v orodju. Brezžična enota ni pravilno nameščena v orodju.	Brezžično enoto namestite pravilno.
	Priključek brezžične enote in/ali reža sta umazana.	Nežno obrišite prah in umazanijo s priključka brezžične enote in očistite reže.
	Niste pritisnili gumba za brezžično aktivacijo na orodju.	Na kratko pritisnite gumb za brezžično aktivacijo na orodju.
	Stikalo za stanje pripravljenosti na sesalniku za prah ni nastavljeno na položaj „AUTO“.	Stikalo za stanje pripravljenosti na sesalniku za prah nastavite na položaj „AUTO“.
	Ni napajanja	Orodje in sesalnik za prah priklopite na napajanje.
Registracije orodja/preklica registracije orodja ni mogoče končati uspešno.	Brezžična enota ni nameščena v orodju. Brezžična enota ni pravilno nameščena v orodju.	Brezžično enoto namestite pravilno.
	Priključek brezžične enote in/ali reža sta umazana.	Nežno obrišite prah in umazanijo s priključka brezžične enote in očistite reže.
	Stikalo za stanje pripravljenosti na sesalniku za prah ni nastavljeno na položaj „AUTO“.	Stikalo za stanje pripravljenosti na sesalniku za prah nastavite na položaj „AUTO“.
	Ni napajanja	Orodje in sesalnik za prah priklopite na napajanje.
	Nepravilno delovanje	Na kratko pritisnite gumb za brezžično aktivacijo in znova izvedite registracijo/preklic registracije orodja.
	Orodje in sesalnik za prah sta oddaljena drug od drugega (izven dometa).	Približajte orodje in sesalnik za prah. Največji doomet je približno 10 m, vendar se lahko razlikuje glede na pogoje.
	Pred dokončanjem registracije/preklica registracije orodja: - povlekli ste sprožilec na orodju ali; - vklopili ste gumb za sesanje na orodju ali; - vklopili ste gumb za vklop/izklop sesalnika za prah.	Na kratko pritisnite gumb za brezžično aktivacijo in znova izvedite registracijo/preklic registracije orodja.
	Postopek registracije orodja za orodje ali sesalnik za prah se ni dokončal.	Registracijo orodja izvedite istočasno za orodje in sesalnik za prah.
	Radijske motnje drugih naprav, ki proizvajajo zelo intenzivne radijske valove.	Orodje in sesalnik za prah hranite stran od naprav, kot so naprave Wi-Fi in mikrovalovne pečice.
Sesalnik za prah ne deluje z upravljanjem stikala na orodju.	Brezžična enota ni nameščena v orodju. Brezžična enota ni pravilno nameščena v orodju.	Brezžično enoto namestite pravilno.
	Priključek brezžične enote in/ali reža sta umazana.	Nežno obrišite prah in umazanijo s priključka brezžične enote in očistite reže.
	Niste pritisnili gumba za brezžično aktivacijo na orodju.	Na kratko pritisnite gumb za brezžično aktivacijo in se prepričajte, da lučka brezžične aktivacije utripa modro.
	Stikalo za stanje pripravljenosti na sesalniku za prah ni nastavljeno na položaj „AUTO“.	Stikalo za stanje pripravljenosti na sesalniku za prah nastavite na položaj „AUTO“.
	S sesalnikom za prah je registriranih več kot 10 orodij.	Znova izvedite registracijo orodja. Če je s sesalnikom za prah registriranih več kot 10 orodij, se prvo registrirano orodje samodejno prekliče.
	Sesalnik za prah ni uspešno registriral orodja.	Obnovite registracijo orodja.
	Sesalnik za prah je izbrisal vse registracije orodja.	Znova izvedite registracijo orodja.
	Ni napajanja	Orodje in sesalnik za prah priklopite na napajanje.
	Orodje in sesalnik za prah sta oddaljena drug od drugega (izven dometa).	Približajte orodje in sesalnik za prah. Največji doomet je približno 10 m, vendar se lahko razlikuje glede na pogoje.
	Radijske motnje drugih naprav, ki proizvajajo zelo intenzivne radijske valove.	Orodje in sesalnik za prah hranite stran od naprav, kot so naprave Wi-Fi in mikrovalovne pečice.
Sesalnik za prah deluje, čeprav stikala za orodje niso prižgana.	Brezžično aktivacijo sesalnika za prah uporabljajo drugi uporabniki s svojimi orodji.	Izklopite gumb za brezžično aktivacijo na drugih orodjih ali prekličite registracijo drugih orodij.

# VZDRŽEVANJE

**⚠ OPOZORILO:** Preden se lotite pregledovanja ali vzdrževanja orodja, se vedno prepričajte, da je orodje izklopljeno in akumulatorska baterija odstranjena. Če ne odstranite akumulatorske baterije in ne izključite orodja, lahko pride do nenamernega zagona orodja in posledično hudih telesnih poškodb.

**⚠ OPOZORILO:** Za največjo varnost in učinkovitost se prepričajte, da je rezilo krožne žage ostro in čisto. Če boste poskušali rezati s topim in/ali umazanim rezilom, lahko pride do povratnega udarca in hudih telesnih poškodb.

**OBVESTILO:** Nikoli ne uporabljajte bencina, razredčila, alkohola ali podobnega sredstva. V tem primeru se lahko orodje razbarva ali deformira oziroma lahko nastanejo razpoke.

VARNO in ZANESLJIVO delovanje tega izdelka bo zagotovljeno le, če boste popravila, vzdrževanje in nastavitve prepustili pooblaščenemu servisu za orodja Makita ali tovarniškemu osebju, ki vgrajuje izključno originalne nadomestne dele.

## Prilagoditev rezalnega kota

To orodje je bilo natančno nastavljeno in poravnano v tovarni, vendar je morda grobo ravnanje vplivalo na poravnano. Če vaše orodje ni ustrezno poravnano, izvedite naslednje:

### Zajeralni kot

Ročko zavrtite v nasprotni smeri urnega kazalca in imejte pripravljeno osnovno ploščo za pozitivno funkcijo izklopa s sprostitveno ročico. Nato odvijte vijake, ki pritrjujejo kazalnik in merilo zajeralnega kota.

- **SI.68:** 1. Ročka 2. Sprostitvena ročica 3. Vijak na kazalniku 4. Vijaki na merilu zajeralnega kota 5. Merilo zajeralnega kota

S pozitivnimi ustavljalji postavite vrtljivo osnovno ploščo v položaj pod kotom 0°. Pravokotno poravnajte stranico rezila krožne žage s sprednjim delom vodilnega prislona s pomočjo trikotnega merila ali kotnega merilnika. Ko je rezilo pravokotno poravnano, privijte vijake na merilu zajeralnega kota. Nato poravnajte kazalnik s položajem pod kotom 0° na merilu zajeralnega kota in privijte vijak na kazalniku.

- **SI.69:** 1. Trikotno ravnilo 2. Kazalnik

### Poševni kot

#### Poševni kot 0°

Potisnite nosilec proti vodilnim prislonom in ga zapahnite z varnostnim zatičem. Spustite nosilec do konca in ga z varnostnim zatičem zapahnite v spuščnem položaju. Ročko zavrtite v nasprotni smeri urnega kazalca in nato zavrtite nastavitveni vijak za 0° za dva ali tri obrate v nasprotni smeri urnega kazalca, da nagnete rezilo krožne žage v desno.

- **SI.70:** 1. Gumb ročke 2. Prilagoditveni vijak za 0° 3. Vijak na kazalniku

S trikotnim merilom, kotnim merilnikom itd. previdno pravokotno poravnajte stranico rezila krožne žage z zgornjo površino vrtljive osnovne plošče tako, da zavrtite prilagoditveni vijak za 0° v smeri urnega kazalca. Nato zategnite gumb ročke, da ohranite kot 0°, ki ste ga nastavili.

- **SI.71:** 1. Trikotno ravnilo 2. Rezilo žage 3. Zgornja površina vrtljive osnovne plošče

Preverite, ali je stranica rezila krožne žage pravokotno poravnana z zgornjo površino vrtljive osnovne plošče. Odvijte vijak na kazalniku, nato pa poravnajte kazalnik s položajem pod kotom 0° na merilu poševnega kota in privijte vijak na kazalniku.

#### Poševni kot 45°

**OBVESTILO:** Preden prilagodite poševni kot 45°, prilagodite poševni kot 0°.

Sprostite gumb ročke in nagnite nosilec do konca na stran, ki jo želite pregledati. Preverite, ali kazalnik kaže na položaj pod kotom 45° na merilu poševnega kota.

- **SI.72:** 1. Gumb ročke

Če kazalnik ne kaže na položaj pod kotom 45°, ga poravnajte s položajem pod kotom 45° tako, da zavrtite prilagoditveni vijak za 45°.

- **SI.73:** 1. Prilagoditveni vijak za desni kot 45° 2. Prilagoditveni vijak za levi kot 45°

## Čiščenje leče lučke

**OBVESTILO:** Ne odstranite vijaka, ki pritrjuje lečo. Če leče ne morete odstraniti, dodatno odvijte vijak.

**OBVESTILO:** Uporabite suho krpo, da obrišete umazanijo z leče lučke. Pazite, da ne opraskate stekla lučke, ker praske občutno zmanjšajo svetilnost.

**OBVESTILO:** Za čiščenje leče ne uporabljajte topil ali čistil na osnovi nafte.

Ko se lučka LED umaže, je laserska luč vse slabše vidna. Lečo čistite v rednih presledkih. Odstranite akumulatorsko baterijo. Odvijte vijak in odstranite lečo. Lečo nežno očistite z vlažno in mehko krpo.

- **SI.74:** 1. Vijak 2. Leča

## Po uporabi

Po uporabi s krpo ali podobnim pripomočkom očistite ostružke in prah, ki se drži orodja. Ščitnik rezila mora biti čist v skladu z navodili za ščitnik rezila v prejšnjem razdelku. Namažite drsne dele s strojnim oljem, da preprečite rjo.

## DODATNA OPREMA

**⚠ OPOZORILO:** Ti pripomočki ali priključki Makita so priporočeni za uporabo z orodjem Makita, kot je določeno v teh navodilih. Uporaba katerega koli drugega pripomočka ali priključka lahko povzroči hude telesne poškodbe.

**⚠ OPOZORILO:** Uporabljajte samo pripomočke ali priključke Makita za navedene namene. Napačna uporaba pripomočka ali priključka lahko povzroči hude telesne poškodbe.

Za več informacij o dodatni opremi se obrnite na najbližji pooblaščen servis za orodja Makita.

- Trdokovinska rezila žage
- Navpični primež
- Vodoravni primež
- Vrečka za prah
- Trikotno merilo
- Inbus ključ
- Brezžična enota
- Kompleti stojal
- Originalna akumulator in polnilnik Makita

**OPOMBA:** Nekateri predmeti na seznamu so lahko priloženi orodju kot standardna dodatna oprema. Lahko se razlikujejo od države do države.

## SPECIFIKIMET

<b>Modeli:</b>	<b>LS002G</b>
Diametri i diskut	216 mm
Diametri i vrimës (së mandrinës) (specifik sipas shtetit)	15,88 mm/25,4 mm/30 mm
Trashësia maks. e kanaleve të fletës së sharrës	2,4 mm
Këndi maks. i prerjes me kënd	Majtas 60°, Djathtas 60°
Këndi maks. i prerjes së pjerrët	Majtas 48°, Djathtas 48°
Shpejtësia pa ngarkesë	4 800 min <sup>-1</sup>
Përmasat (GJ x T x L)	702 mm x 551 mm x 557 mm
Tensioni nominal	D.C. 36 V - 40 V maks.
Pesha neto	16,4 - 17,0 kg

- Për shkak të programit tonë të vazhdueshëm të kërkim-zhvillimit, specifikimet që jepen këtu mund të ndryshojnë pa dhënë njoftim.
- Specifikimet mund të ndryshojnë nga njëri shtet në tjetrin.
- Pesha mund të ndryshojë në varësi të aksesorit(ëve), përfshirë kutinë e baterisë. Kombinimi më i lehtë dhe më i rëndë, sipas Procedurës EPTA 01/2014, tregohet në tabelë.

### Kutia e aplikueshme e baterisë dhe karikuesi

Kutia e baterisë	BL4025/BL4040
Karikuesi	DC40RA

- Disa prej kutive të baterive dhe karikuesve të renditura më lart mund të mos jenë të disponueshme në varësi të zonës ku ju banoni.

**▲ PARALAJMËRIM:** Përdorni vetëm kutitë e baterisë dhe karikuesit e listuar më lart. Përdorimi i karikuesve dhe kutive të tjera të baterisë mund të shkaktojë lëndim dhe/ose zjarr.

### Kapacitetet e prerjes (L x T) me disk 216 mm në diametër

Këndi i prerjes me kënd	Këndi i prerjes së pjerrët		
	45° (majtas)	0°	45° (djathtas)
0°	50 mm x 312 mm	70 mm x 312 mm	30 mm x 312 mm
45° (majtas dhe djathtas)	50 mm x 220 mm	70 mm x 220 mm	30 mm x 220 mm
60° (majtas dhe djathtas)	–	70 mm x 155 mm	–

### Simbolet

Pjesët në vazhdim tregojnë simbolet që mund të përdoren për pajisjen. Sigurohuni që merrni vesh kuptimin e tyre përpara përdorimit.



Lexoni manualin e përdorimit.



Për të shmangur lëndimin nga ashklat fluturuese, vazhdoni ta mbani sharrën të drejtuar poshtë pasi kenit kryer prerje derisa disku të ketë ndalur plotësisht.



Kur kryeni prerje me rrëshqitje, në fillim tërhiqeni shasinë deri në fund dhe shtypni poshtë dorëzën, pastaj shtyjeni shasinë drejt rigës udhëzuese.



Kur kryeni prerje me kënd të pjerrët, në fillim lironi diskut e mbajtëses dhe anojeni shasinë në këndin e dëshiruar, më pas shtrengoni diskut e mbajtëses.



Kur anoni fletën përtej rrezes 0° - 45°, kthejeni levën e lirimit për këndin e prerjes së pjerrët 48° në drejtim të akrepave të orës.



Mos e vendosni dorën ose gishtat pranë diskut.



Mbani syze mbrojtëse.



Mos shikoni drejtpërdrejt te llamba e ndezur.



Vetëm për shtetet e BE-së  
Mos i hidhni pajisjet elektrike ose paketën e baterisë së bashku me mbeturinat e shtëpisë!  
Në përputhje me Direktivën Evropiane për mbetjet nga pajisjet elektrike dhe elektronike, për bateritë dhe akumulatorët dhe mbetjet nga bateritë dhe akumulatorët dhe implementimin e tyre në përputhje me legjislacionin kombëtar, pajisjet elektrike, bateritë dhe paketën(at) e baterisë që kanë arritur fundin e jetëgjatësisë së tyre duhet të mblidhen veçmas dhe të dorëzohen në një objekt riciklimi që nuk dëmton mjedisin.

## Përdorimi i synuar

Vegla është menduar për prerjet e drejta dhe prerjet me kënd në dru.

Mos e përdorni sharrën për të prerë materiale të tjera përveç drurit, aluminit dhe materialeve të ngjashme.

## Zhurma

Niveli tipik i zhurmës A, i matur sipas EN62841-3-9:

Niveli i presionit të zhurmës ( $L_{pA}$ ): 89 dB (A)

Niveli i fuqisë së zhurmës ( $L_{WA}$ ): 100 dB (A)

Pasiguria (K): 3 dB (A)

**SHËNIM:** Vlerat e deklaruar totale të emetimeve të zhurmës janë matur sipas një metode standarde testimi dhe mund të përdoren për të krahasuar një vegël me një tjetër.

**SHËNIM:** Vlerat e deklaruar të emetimeve të zhurmës mund të përdoren për një vlerësim paraprak të ekspozimit.

**▲PARALAJMËRIM:** Mbani mbrojtëse për veshët.

**▲PARALAJMËRIM:** Emetimet e zhurmës gjatë përdorimit aktual të veglës elektrike mund të ndryshojnë nga vlerat e deklaruar në varësi të mënyrave sesi përdoret vegla, veçanërisht nga lloji i materialit të punës që përdoret.

**▲PARALAJMËRIM:** Vërtetoni që masat e sigurisë për mbrojtjen e përdoruesit bazohen në vlerësimin e ekspozimit ndaj kushteve aktuale të përdorimit (duke marrë parasysh të gjitha pjesët e ciklit të funksionimit si ato kur pajisja është e fikur dhe punon pa prerë ashtu edhe kohën e përdorimit).

## Deklarata e konformitetit me KE-në

### Vetëm për shtetet evropiane

Deklarata e konformitetit me KE-në përfshihet si Shtojca A në këtë manual përdorimi.

## PARALAJMËRIME SIGURIE

### Paralajmërimet e përgjithshme për sigurinë e veglës

**▲PARALAJMËRIM:** Lexoni të gjitha paralajmërimet për sigurinë, udhëzimet, ilustrimet dhe specifikimet e dhëna me këtë vegël elektrike. Mosndjekja e të gjitha udhëzimeve të renditura më poshtë mund të shkaktojë goditje elektrike, zjarr dhe/ose lëndim të rëndë.

### Ruajini të gjitha paralajmërimet dhe udhëzimet për të ardhmen.

Termi "vegël elektrike" në paralajmërimet i referohet veglës elektrike që përdoret e lidhur në prizë (me kordon) ose veglës së përdorur me bateri (pa kordon).

## Udhëzimet e sigurisë për sharrat për prerje me kënd

- Sharrat për prerje me kënd janë prodhuar për prerje druri ose të produkteve të ngjashme me drurin, ato nuk mund të përdoren me fletë për prerje abrazive për prerjen e materialeve prej hekuri, siç janë fletët, shufrat, perçinat, etj.** Pluhuri abraziv shkakton bllokimin e pjesëve lëvizëse siç është mbrojtësja e poshtme. Shkëndijat nga prerja abrazive do të dëgjë mbrojtësen e poshtme, insertin e kanalit dhe pjesë të tjera plastike.
  - Përdorni fasheta shtrënguese për të mbajtur materialin e punës kur kjo është e mundshme. Nëse materialin e punës e mbani me dorë, duhet ta mbani gjithmonë dorën të paktën 100 mm larg nga secila anë e fletës së sharrës. Mos e përdorni këtë sharrë për të prerë pjesë që janë tepër të vogla për t'u mbërthyer me morskë ose për t'u mbajtur me dorë në mënyrë të sigurt.** Nëse dora vendoset tepër pranë fletës së sharrës, rritet rreziku i lëndimit nga kontakti me fletën.
  - Materiali i punës duhet të jetë i palëvizshëm dhe i shtrënguar me morskë ose i mbajtur me dorë si kundrejt rigës ashtu dhe bankës. Mos e fusni materialin e punës në fletë apo mos prisni "me dorë të lirë" në asnjë mënyrë.** Materialet e punës të pashtënguara ose lëvizëse mund të hidhen tutje me shpejtësi të lartë, duke shkaktuar lëndim.
  - Shtyjeni sharrën përmes materialit të punës. Mos e tërhiqni sharrën përmes materialit të punës. Për të realizuar një prerje, ngrijeni kokën e sharrës dhe tërhiqeni mbi materialin e punës pa e prerë, nisni motorin, shtyjeni poshtë kokën e sharrës dhe shtyjeni sharrën përmes materialit të punës.** Prerja me goditje tërheqëse mund të bëjë që fleta e sharrës të ngjitet mbi materialin e punës dhe ta hedhë me forcë të madhe grupin e fletëve drejt operatorit.
  - Asnjëherë mos e kaloni dorën mbi vijën e synuar të prerjes qoftë përpara ose prapa fletës së sharrës.** Është shumë e rrezikshme mbajta e materialin e punës me "duar të kryqëzuara", pra duke e mbajtur materialin e punës në të djathtë të fletës së sharrës me dorën e majtë ose anasjelltas.
- Fig.1
- Mos e zgjasni dorën prapa rigës udhëzuese më afër se 100 mm nga cilado anë e fletës së sharrës, për të hequr ashklat e drurit apo për arsye të tjera ndërsa fleta rrotullohet.** Afërsia e fletës të sharrës që rrotullohet me dorën tuaj mund të mos jetë e dallueshme dhe mund të lëndoheni rëndë.
  - Kontrollojeni fletën e sharrës përpara prerjes. Nëse materiali i punës është i harkuar ose i deformuar, shtrëngojeni me morskë me pjesën e harkuar drejt rigës. Gjithmonë sigurohuni që të mos ketë hapësirë mes materialit të punës, rigës dhe bankës përgjatë vijës së prerjes.** Materialet e harkuara ose të deformuara të punës mund të përdridhen ose të zhvendosen dhe mund të shkaktojnë ngecje të fleta e sharrës që rrotullohet gjatë prerjes. Nuk duhet të ketë gozhdë ose objekte të huaja në materialin e punës.

8. **Mos e përdorni sharrën derisa banka të jetë pastruar nga të gjitha veglat, ashklat e drurit, etj. përveç materialit të punës.** Copëzat e vogla ose copëzat e lira të drurit ose objektet e tjera që krijojnë kontakt me fletën që rrotullohet mund të hidhen tutje me shpejtësi të lartë.
  9. **Pritni vetëm një material pune njëkohësisht.** Materialet e punës të vendosura mbi njëra-tjetrën nuk mund të mbërthehen ose shtrëngohen mirë me morskë dhe mund të ngecin te fleta ose të zhvendosen gjatë prerjes.
  10. **Sigurohuni që sharra për prerje me kënd të jetë e montuar ose e vendosur në një sipërfaqe të niveluar dhe të palëvizshme përpara përdorimit.** Një sipërfaqe pune e niveluar dhe e palëvizshme redukton rrezikun që sharra për prerje me kënd të bëhet e paqëndrueshme.
  11. **Planifikojeni punën tuaj. Sa herë që ndryshoni cilësimin e prerjes së pjerrët ose me kënd, sigurohuni që riga e rregullueshme të vendoset saktë për të mbajtur materialin e punës dhe që nuk do të ndërhyjë me fletën ose sistemin mbrojtës.** Pa e vendosur veglën në pozicionin "NDEZUR" dhe pa pasur material pune mbi bankë, lëvizeni fletën e sharrës përmes një prerjeje të plotë të simuluar për t'u siguruar që nuk ka ndërhyrje apo rrezik prerjeje të rigës.
  12. **Siguroni mbështetje të mjaftueshme, si p.sh. zgjatim banke, këmbalecë druri, etj. për një material pune që është më i gjerë ose më i gjatë se pjesa e sipërme e bankës.** Materialet e punës më të gjata ose më të gjera se banka e sharrës për prerje me kënd mund të përmbysen nëse nuk mbështeten mirë. Nëse përmbysen copa e prerë ose materiali i punës, ajo mund të ngrejë mbrojtësen e poshtme ose mund të hidhet tutje nga fleta që rrotullohet.
  13. **Mos përdorni një person tjetër për të zëvendësuar një shtesë banke ose si mbështetje shtesë.** Mbështetja e paqëndrueshme për materialin e punës mund të bëjë që fleta të ngecë ose materiali i punës të zhvendoset gjatë veprimit të prerjes duke ju tërhequr juve dhe ndihmësin në fletën që rrotullohet.
  14. **Pjesa e prerë nuk duhet në asnjë mënyrë të ngecet ose të shtyhet kundrejt fletës së sharrës që rrotullohet.** Nëse mbyllet, pra duke përdorur ndalesa në gjatësi, pjesa e prerë mund të futet si pykë kundrejt fletës dhe të hidhet tutje me forcë.
  15. **Gjithmonë përdorni një morskë ose fiksuese të projektuar për të mbajtur mirë materialet e rumbullakëta siç janë shufrat ose tubat.** Shufrat kanë tendencën të mbështillen kur priten, duke bërë që fleta të "kafshojë" dhe tërheqë materialin e punës me dorën tuaj të fleta.
  16. **Lëri fletën të arrijë shpejtësinë e plotë përpara se të krijoni kontaktin me materialin e punës.** Kjo do të reduktojë rrezikun e hedhjes tutje të materialit të punës.
  17. **Nëse materiali i punës ose fleta ngecin, fiken sharrën për prerje me kënd. Prisi që të gjitha pjesët lëvizëse të ndalojnë dhe shkëputeni spinën nga burimi i rrymës dhe/ose hiqni paketën e baterisë. Më pas punoni që të lironi materialin e ngecur.** Vazhdimi i sharrimit me material pune të ngecur mund të shkaktojë humbje të kontrollit ose dëmtim të sharrës për prerje me kënd.
  18. **Pas përfundimit të prerjes, lironi çelësin, mbajeni kokën e sharrës poshtë dhe prisi që fleta e sharrës të ndalojë përpara se të hiqni pjesën e prerë.** Është e rrezikshme zgjatja e duarve pranë fletës që po ndalon.
  19. **Mbajeni dorezën mirë kur bëni një prerje të paplotë ose kur lironi çelësin përpara se koka e sharrës të jetë plotësisht në pozicionin poshtë.** Veprimi i frenimit të sharrës mund të bëjë që koka e sharrës të tërhiqet papritur poshtë, duke shkaktuar rrezik lëndimi.
  20. **Përdorni vetëm fletë sharre me diametrin që shënohet në vegël ose që specifikohet në manual.** Përdorimi i një flete me madhësi jo të duhur mund të ndikojë në mbrojtjen e përshtatshme të fletës ose në funksionimin e mbrojtëses, gjë e cila mund të shkaktojë lëndim të rëndë personal.
  21. **Përdorni vetëm fletë sharre që kanë të shënuar një shpejtësi të barasvlershme ose më të madhe sesa shpejtësia e shënuar mbi vegël.**
  22. **Mos e përdorni sharrën për të prerë materiale të tjera përveç drurit, aluminit dhe materialeve të ngjashme.**
  23. **(Vetëm për vendet evropiane)  
Gjithmonë përdorni fletën që është konform me EN847-1.**
- Udhëzime shtesë**
1. **Bëjeni punishten të tillë që të mos futen fëmijë, duke përdorur kyça.**
  2. **Mos hipni kurrë mbi vegël.** Mund të shkaktohen lëndime të rënda nëse vegla përmbysët ose nëse krijohet kontakt pa dashje me veglën prerëse.
  3. **Asnjëherë mos e lini veglën në punë të pamonitoruar. Fikeni rrymën. Mos e lini veglën derisa ajo të ndalojë plotësisht.**
  4. **Mos e vini sharrën në punë pa vendosur mbrojtëset. Kontrolloni mbrojtësen e diskut për mbyllje të saktë përpara çdo përdorimi. Mos e përdorni sharrën nëse mbrojtësja e diskut nuk lëviz lirshëm dhe nuk mbyllet menjëherë. Asnjëherë mos e mbërtheni ose lidhni mbrojtësen e diskut në pozicion të hapur.**
  5. **Mbajini duart larg rrugës së fletës së sharrës. Shmangni kontaktin me fletën që po ndalon. Ai është rrezikshëm të shkaktojë lëndime të rënda.**
  6. **Për të reduktuar rrezikun e lëndimit, kthejeni shasinë në pozicionin plotësisht prapa pas çdo veprimi prerjeje tërthore.**
  7. **Sigurojini gjithmonë të gjitha pjesët lëvizëse para se të transportoni veglën.**
  8. **Kunji ndalues ose leva e ndaluesit që bllokun pjesën e përparme të kokës së sharrës shërben vetëm për qëllime transportimi dhe ruajtjeje dhe jo për prerje.**
  9. **Përpara përdorimit kontrolloni me kujdes fletën për krisje ose dëmtime. Zëvendësoni menjëherë fletën e krisur ose të dëmtuar. Pluhuri i shpimit dhe palca e drurit të forcuara në fletë ngadalësojnë sharrën dhe rrisin mundësinë e zmbarsjes. Mbani fletën të pastër, fillimisht duke e hequr atë nga pajisja dhe pastaj duke e pastruar me pastrues pluhurash dhe palce druri, ujë ose vajguri. Mos përdorni asnjëherë benzinë për të pastruar fletën.**



10. Kur kryeni prerje me rrëshqitje, mund të ndodhë ZMBRAPSJE. ZMBRAPSJA ndodh kur fleta ngec te materiali i punës gjatë një veprimi prerjeje dhe fleta e sharrës lëviz shpejt drejt operatorit. Mund të rezultojë humbje e kontrollit dhe lëndimi i personit. Nëse fleta fillon të ngecë gjatë një veprimi prerjeje, mos e vazhdoni prerjen dhe lirojeni çelësin menjëherë.
11. Përdorni vetëm flaxha specifike për këtë vegël.
12. Tregoni kujdes se mos dëmtoni boshtin kryesor, flaxhat (sidomos sipërfaqen e instalimit) ose bulonin. Dëmtimi i këtyre pjesëve mund të shkaktojë thyerjen e fletës.
13. Sigurohuni që baza e rrotullimit të jetë siguruar siç duhet që të mos lëvizë gjatë punës. Përdorni vrimat në bazë për të shtrënguar sharrën në një platformë ose stol të qëndrueshëm pune. ASNJËHERË mos e përdorni veglën ku pozicionimi i operatorit mund të ishte i vështirë.
14. Sigurohuni që bllokuesi i boshtit të lirohet përpara se të ndizet çelësi.
15. Sigurohuni që fleta të mos prekë bazën e rrotullimit në pozicionin më të ulët.
16. Mbajeni dorezën fort. Vini re që sharra lëviz pak lart ose poshtë gjatë ndezjes dhe fikjes.
17. Sigurohuni që fleta të mos e prekë materialin e punës përpara se të ndizet çelësi.
18. Përpara se të përdorni veglën mbi një material aktual, lëreni të punojë për ca kohë. Bëni kujdes për dridhje ose lëkundje që mund të tregojnë instalim të gabuar ose thikë të pabalancuar mirë.
19. Ndaloni menjëherë punën nëse vini re diçka jonormale.
20. Mos u përipiqi të bllokoni këmbëzën në pozicionin "NDEZUR".
21. Përdorni gjithmonë aksesoret e rekomanduar në këtë manual. Përdorimi i aksesoreve jo të duhur, siç janë disqet abrazive të prerjes, mund të shkaktojnë lëndim.
22. Disa materiale përmbajnë kimikate që mund të jenë toksike. Kini kujdes që të parandaloni thithjen e pluhurave dhe kontaktin me lëkurën. Ndiqni të dhënat e sigurisë nga furnizuesi i materialit.
23. Mos përdorni furnizim energjie me kordon me këtë vegël.

Rregulla të tjera sigurie për llambën në punë

1. Mos e shikoni direkt dritën ose burimin e dritës.

## RUAJINI KËTO UDHËZIME.

**▲PARALAJMËRIM:** MOS lejoni që njohja ose familjarizimi me produktin (të fituara nga përdorimi i shpeshtë) të zëvendësojnë zbatimin me përpikëri të rregullave të sigurisë për produktin në fjalë. KEQPËRDORIMI ose mosndjekja e rregullave të sigurisë të dhëna në këtë manual përdorimi mund të shkaktojë dëmtime të rënda personale.

## Udhëzime të rëndësishme rreth sigurisë për kutinë e baterisë

1. Përpara se ta përdorni kutinë e baterisë, lexoni të gjitha udhëzimet dhe shënimet e masave parandaluese të (1) ngarkuesi i baterisë, (2) bateria dhe (3) produkti që përdor baterinë.
2. Mos e gmontoni ose dëmtoni kutinë e baterisë. Kjo mund të shkaktojë zjarr, nxehtësi të lartë ose shpërthim.
3. Nëse koha e përdorimit është shkurtuar jashtë mase, ndalojeni punën menjëherë. Kjo mund të rezultojë në rrezik mbinxehjeje, djegie të mundshme, madje edhe shpërthim.
4. Nëse ju futen elektrolitit në sy, shpëlajini sytë me ujë të pastër dhe kërkoni ndihmë mjekësore menjëherë. Kjo gjë mund të rezultojë në humbje të shikimit.
5. Mos bëni lidhje të shkurtër me kutinë e baterisë:
  - (1) Mos i prekni terminalet me materiale përcjellëse.
  - (2) Shmangni ruajtjen e kutisë së baterisë në një kuti me objekte të tjera metalike, si gozhdë, monedha etj.
  - (3) Mos e ekspozoni kutinë e baterisë në ujë ose shi.

Qarku i shkurtër i baterisë mund të shkaktojë qarkullim të madh të rrymës elektrike, mbinxehje, djegie të mundshme dhe madje prishje.
6. Mos e ruani dhe mos e përdorni pajisjen dhe kutinë e baterisë në vende ku temperatura mund të arrijë ose tejkalojë 50 °C (122 °F).
7. Mos e digjini kutinë e baterisë, edhe nëse është shumë e dëmtuar ose është konsumuar plotësisht. Kutia e baterisë mund të shpërthejë në zjarr.
8. Mos e shponi, pritni, shtypni, hidhni apo rrëzoni kutinë e baterisë apo ta goditni kutinë e baterisë me një objekt të fortë. Një sjellje e tillë mund të shkaktojë zjarr, nxehtësi të lartë ose shpërthim.
9. Mos përdorni bateri të dëmtuar.
10. Bateritë e përfshira të litiumit, u nënshtrohen kërkesave të legjisllacionit për mallrat e rrezikshme.
 

Për transport tregtar p.sh. nga palë të treta, agjentët të ndërmjetëm, duhet të ndiqen kërkesa specifike mbi paketimin dhe etiketimin.

Për përgatitjen e artikullit për transport, është i nevojshëm konsultimi i një eksperti për materiale të rrezikshme. Ju lutemi, ndiqni gjithashtu rregulloret me gjasë më të detajuara vendore.

Mbuloni me ngjitëse ose maskoni kontaktet e zhveshura dhe paketojeni baterinë në mënyrë të tillë që të mos lëvizë në paketim.
11. Kur hidhni kutinë e baterisë, hiqeni nga vegla dhe hidhni në një vend të sigurt. Zbatoni rregulloret lokale rreth hedhjes së baterisë.
12. Përdorini bateritë vetëm me produktet e specifikuar nga Makita. Instalimi i baterive në produkte të papajftueshme mund të rezultojë në zjarr, nxehtësi të lartë, shpërthim ose rrjedhje të elektroliteve.
13. Nëse vegla nuk përdoret për një periudhë të gjatë kohe, bateria duhet të hiqet nga vegla.

14. Gjatë dhe pas përdorimit, kutia e baterisë mund të nxehtet, gjë që mund të shkaktojë djegie ose djegie në temperaturë të ulët. Tregoni kujdes gjatë manovrimit të kutive të nxehta të baterive.
15. Mos prekni terminalin e veglës menjëherë pas përdorimit pasi mund të nxehtet aq shumë sa të shkaktojë djegie.
16. Mos lejoni që grumbullimin e ashklave, pluhurave ose papastërtive në terminalët, vrimat ose kanalet e kutisë së baterisë. Kjo mund të shkaktojë rendiment të ulët ose dëmtim të veglës ose të kutisë së baterisë.
17. Përveç kur vegla e mbështet përdorimin pranë linjave elektrike me voltazh të lartë, mos e përdorni kutinë e baterisë pranë linjave elektrike me voltazh të lartë. Kjo mund të shkaktojë një defekt ose dëmtim të veglës ose të kutisë së baterisë.
18. Mbajeni baterinë larg fëmijëve.

## RUAJINI KËTO UDHËZIME.

**▲KUJDES:** Përdorni vetëm bateri origjinale Makita. Përdorimi i baterive jo-origjinale Makita ose baterive që mund të jenë modifikuar, mund të rezultojë në marrjen flakë të baterisë, lëndime personale apo dëmtime. Kjo do të anulojë gjithashtu edhe garancinë e Makita-s për veglën e Makita-s dhe ngarkuesin.

## Këshilla për të ruajtur jetëgjatësinë maksimale të baterisë

1. Ngarkojeni baterinë përpara se të shkarkohet plotësisht. Gjithmonë ndaloni punën me pajisjen dhe ngarkoni baterinë kur vëreni ulje të fuqisë së pajisjes.
2. Asnjëherë mos e ringarkoni baterinë e ngarkuar plotësisht. Mbingarkimi shkurton jetëgjatësinë e shërbimit të baterisë.
3. Ngarkojeni baterinë në temperaturën e dhomës në 10 °C - 40 °C. Lëreni kutinë e nxehtë të baterisë të ftohet përpara se ta ngarkoni atë.
4. Kur nuk e përdorni kutinë e baterisë, hiqeni atë nga vegla ose karikuesi.
5. Ngarkojeni baterinë nëse nuk e përdorni për një kohë të gjatë (mbi gjashtë muaj).

### Udhëzime të rëndësishme rreth sigurisë për njësinë me valë

1. Mos e çmontoni ose dëmtoni njësinë me valë.
2. Mbajeni njësinë me valë larg fëmijëve të vegjël. Nëse gëlltitet aksidentalisht, kërkoni menjëherë kujdes mjekësor.
3. Përdoreni njësinë me valë vetëm me vegla "Makita".
4. Mos e ekspozoni njësinë me valë në shi ose në kushte me lagështirë.
5. Mos e përdorni njësinë me valë në vende ku temperatura tejkalon 50 °C.
6. Mos e përdorni njësinë me valë në afërsi të instrumenteve mjekësore, si p.sh. stimuluës kardiakë.
7. Mos e përdorni njësinë me valë në afërsi të pajisjeve të automatizuara. Nëse përdoret, pajisjet e automatizuara mund të shkaktojnë keqfunksionim ose gabim.
8. Mos e përdorni njësinë me valë në vende që janë nën temperaturë të lartë ose në vende ku mund të gjenerohet elektricitet statik apo zhurmë elektrike.
9. Njësia me valë mund të prodhojë fusha elektromagnetike (EMF), por që nuk janë të dëmshme për përdoruesin.
10. Njësia me valë është një instrument i saktë. Bëni kujdes që të mos e rrëzoni ose ta godisni njësinë me valë.
11. Shmangni prekjen e terminalit të njësisë me valë me duar të zhveshura apo me materiale metalike.
12. Hiqeni gjithmonë baterinë në produkt kur instaloni njësinë me valë në të.
13. Kur hapni kapakun e folesë, shmangni vendin ku pluhuri dhe uji mund të hyjnë në fole. Mbajeni hyrjen e folesë gjithmonë të pastër.
14. Vendoseni gjithmonë njësinë me valë në drejtimin e duhur.
15. Butonin e aktivizimit të lidhjes me valë në njësinë me valë mos e shtypni fort dhe/ose me objekt me majë të mprehtë.
16. Gjatë përdorimit mbyllni gjithmonë kapakun e folesë.
17. Mos e hiqni njësinë me valë nga foleja ndërsa vegla po furnizohet me energji. Në të kundërt, mund të shkaktohet keqfunksionim i njësisë me valë.
18. Mos e hiqni etiketën në njësinë me valë.
19. Mos vendosni etiketën në njësinë me valë.
20. Mos e lini njësinë me valë në një vend ku mund të gjenerohet elektricitet statik apo zhurmë elektrike.
21. Mos e lini njësinë me valë në një vend ku i nënshtrohet nxehtësisë së lartë, si p.sh. në një makinë të parkuar nën diell.
22. Mos e lini njësinë me valë në një vend me pluhur ose grimca të vogla apo në një vend ku mund të gjenerohet gaz gërryes.
23. Ndryshimi i papritur i temperaturës mund të vesojë njësinë me valë. Mos e përdorni njësinë me valë derisa vesa të jetë tharë plotësisht.
24. Kur pastroni njësinë me valë, fshijeni lehtë me një leckë të butë e të thatë. Mos përdorni benzinë, hollues, graso përcjellëse apo të ngjashme.
25. Gjatë ruajtjes, vendoseni njësinë me valë në kasën e dhënë ose në një enë pa elektricitet statik.
26. Në folenë e veglës mos vendosni pajisje të tjera të ndryshme nga njësia me valë "Makita".
27. Mos e përdorni veglën e kapakun e folesë të dëmtuar. Uji, pluhuri dhe papastërtitë që hyjnë në fole mund të shkaktojnë keqfunksionim.
28. Mos e tërhiqni dhe/ose rrotulloni kapakun e folesë më shumë seç nevojitet. Rivendoseni kapakun nëse hiqet nga vegla.
29. Ndërroni kapakun e folesë nëse humbet apo dëmtohet.

## RUAJINI KËTO UDHËZIME.

# PËRSHKRIMI I PJESËVE

► Fig.2

1	Çelësi fiso hegzagonal	2	Buloni rregullues (për kapacitet maksimal prerës)	3	Vida rregulluese (për pozicionin e kufirit të poshtëm)	4	Krahu i ndaluesit
5	Butoni i aktivizimit të lidhjes me valë	6	Llamba e aktivizimit të lidhjes me valë	7	Butoni i fshesës	8	Butoni i llambës
9	Mbrojtësja e fletës	10	Dërrasa me kanale	11	Mbajtësja (për bazën e rrotullimit)	12	Disku i mbajtëses (për këndin e prerjes së pjerrët)
13	Leva e lirimit (për bazën e rrotullimit)	14	Buloni i rregullimit (për bazën e rrotullimit)	15	Rigat udhëzuese	16	Treguesi (për këndin e prerjes me kënd)
17	Shkalla e këndit të prerjes me kënd	18	Baza e rrotullimit	19	Baza e poshtme	20	Morsa vertikale
21	Leva e lirimit (për këndin e djathtë të prerjes së pjerrët)	22	Buloni rregullues 45° (për këndin e djathtë të prerjes së pjerrët)	23	Buloni rregullues 0° (për këndin e prerjes së pjerrët)	24	Udhëzuesi i pluhurit
25	Shkalla e këndit të djathtë të prerjes së pjerrët	26	Treguesi (për këndin e djathtë të prerjes së pjerrët)	27	Kunji ndalues (për rrëshqitjen e shasisë)	28	Boshti i rrëshqitjes
29	Kapaku (për njësinë me valë)	-	-	-	-	-	-

► Fig.3

1	Vrima për drynin	2	Këmbëza e çelësit	3	Butoni i zhblokimit	4	Doreza e transportimit
5	Kutia e baterisë	6	Zorra për nxjerrjen e pluhurit	7	Shkalla e këndit të majtë të prerjes së pjerrët	8	Treguesi (për këndin e majtë të prerjes së pjerrët)
9	Leva e lirimit (për këndin e prerjes së pjerrët 48°)	10	Buloni rregullues 45° (për këndin e majtë të prerjes së pjerrët)	11	Bllokuksi i boshtit	12	Qesja e pluhurit (kur zëvendësohet me zorrën për nxjerrjen e pluhurit)

## INSTALIMI

### Montimi i bankës

**▲ PARALAJMËRIM:** Sigurohuni që vegla të mos lëvizë në sipërfaqen mbështetëse. Lëvizja e sharrës për prerje me kënd në sipërfaqen mbështetëse gjatë prerjes mund të çojë në humbje të kontrollit dhe lëndime personale serioze.

1. Fiksoni bazën në një sipërfaqe të niveluar dhe të qëndrueshme, duke e vidhosur me vidat. Kjo ndihmon në parandalimin e përmbysjes dhe lëndimin e mundshëm.

► Fig.4: 1. Buloni 2. Vrima e montimit

2. Rrotulloni bulonin e rregullimit në drejtim të akrepave të orës ose të kundërt të akrepave të orës në mënyrë që të prekë sipërfaqen e dyshemesë për ta mbajtur veglën të qëndrueshme.

► Fig.5: 1. Buloni rregullues

## Instalimi i zorrës për nxjerrjen e pluhurit

Lidhni zorrën për nxjerrjen e pluhurit me veglën siç ilustrohet.

Sigurohuni që bërryli dhe bokulla të përputhen siç duhet me portat e veglës.

► Fig.6: 1. Zorra për nxjerrjen e pluhurit 2. Bërryli 3. Bokulla 4. Porta

Për të hequr bërrylin nga porta, tërhiqeni bërrylin ndërsa shtypni butonin e bllokimit.

Për të hequr bokullën nga porta, rrotullojeni në drejtim të akrepave të orës dhe tërhiqeni për ta hequr.

► Fig.7: 1. Bërryli 2. Butoni i bllokimit 3. Bokulla 4. Porta

# PËRSHKRIMI I PUNËS

**▲PARALAJMËRIM:** Sigurohuni gjithmonë që vegla të jetë e fikur dhe kutia e baterisë të jetë hequr përpara se ta rregulloni apo t'i kontrolloni funksionet e veglës. Mosfikja e veglës dhe mosheqja e kutisë së baterisë mund të rezultojë në lëndim të rëndë personal për shkak të ndezjes aksidentale.

## Instalimi ose heqja e kutisë së baterisë

**▲KUJDES:** Fikeni gjithmonë veglën përpara se të instaloni ose hiqni kutinë e baterisë.

**▲KUJDES:** Mbajeni fort veglën dhe kutinë e baterisë kur montoni ose hiqni kutinë e baterisë. Mosmbajta fort e veglës dhe e kutisë së baterisë mund të bëjë që t'ju rrëshqasin nga duart dhe të shkaktojë dëmtim të veglës dhe të kutisë së baterisë, si dhe lëndim personal.

► **Fig. 8:** 1. Treguesi i kuq 2. Butoni 3. Kutia e baterisë

Për të hequr kutinë e baterisë, rrëshqiteni atë nga vegla ndërsa rrëshqisni butonin në pjesën e përparme të kutisë së baterisë.

Për të vendosur kutinë e baterisë, bashkërenditni gjuhëzën e kutisë së baterisë me kanalën e folesë dhe rrëshqiteni për ta futur. Futeni deri në fund, derisa të kërçasë dhe të bllokohet në vend. Nëse shikoni treguesin e kuq në anën e sipërme të butonit, ajo nuk është e bllokuar plotësisht.

**▲KUJDES:** Vendoseni gjithnjë plotësisht kutinë e baterisë derisa treguesi i kuq të mos duket. Në të kundërt, ajo mund të bjerë aksidentalisht nga vegla duke ju lënduar juve ose personin pranë jush.

**▲KUJDES:** Mos e vendosni me forcë kutinë e baterisë. Nëse kutia nuk hyn lehtë, nuk po e futni siç duhet.

## Sistemi i mbrojtjes së veglës/baterisë

Vegla është e pajisur me një sistem të mbrojtjes së veglës/baterisë. Ky sistem ndërpret automatikisht energjinë në motor për të zgjatur jetëgjatësinë e veglës dhe baterisë. Vegla do të ndalojë automatikisht gjatë punës nëse vegla ose bateria janë vendosur sipas një prej kushteve të mëposhtme:

### Mbrojtja nga mbingarkesa

Kur vegla/bateria vihet në punë në një mënyrë që e bën atë të tërheqë një korrent më të lartë nga normalja, vegla fiket automatikisht. Në këtë situatë, fikeni veglën dhe ndaloni punën që shkaktoi mbingarkesën e veglës. Pastaj ndizeni veglën për të rinisur punën.

### Mbrojtja ndaj mbinxehjes

Kur vegla/bateria mbinxehet, vegla ndalon automatikisht. Në këtë rast, lëreni veglën/baterinë të ftohet përpara se ta ndizni sërish.

### Mbrojtja nga mbishkarkimi

Kur kapaciteti i baterisë ulet, vegla ndalon automatikisht. Nëse produkti nuk funksionon edhe kur shtypen çelësat, hiqni baterinë nga vegla dhe ngarkojni ato.

## Treguesi i kapacitetit të mbetur të baterive

Shtypni butonin e kontrollit në kutinë e baterisë për të treguar kapacitetin e mbetur të baterisë. Llambat treguese ndizen për pak sekonda.

► **Fig. 9:** 1. Llambat treguese 2. Butoni i kontrollit

Llambat treguese			Kapaciteti i mbetur
Ndezur	Fikur	Duke pulsuar	
■ ■ ■ ■			75% deri 100%
■ ■ ■ □			50% deri 75%
■ ■ □ □			25% deri 50%
■ □ □ □			0% deri 25%
▬ □ □ □			Ngarkojeni baterinë.
■ ■ □ □			Llambushka mund të ketë keqfunksionuar.
□ □ ■ ■			

**SHËNIM:** Në varësi të kushteve të përdorimit dhe të temperaturës së ambientit, treguesi mund të ndryshojë paksa nga kapaciteti aktual.

**SHËNIM:** Llamba e parë e treguesit (në fund majtas) do të pulsojë kur sistemi i mbrojtjes së baterisë është në punë.

## Bllokimi i dorezës

**▲KUJDES:** Gjithmonë mbajeni dorezën kur lëshoni kunjin ndalues. Ndryshe, doreza kërcën lart dhe mund të rezultojë në lëndime personale.

Kur vegla transportohet nga fabrika, doreza është bllokuar në pozicionin e ulur me kunjin ndalues. Për të zhbllokuar dorezën, tërhiqeni kunjin e ndaluesit dhe rrotullojeni 90° ndërkohë që ulni pak dorezën.

► **Fig. 10:** 1. Pozicioni i bllokuar 2. Pozicioni i zhbllokuar 3. Kunji i ndaluesit

## Bllokimi me rrëshqitje

Tërhiqni kunjin e ndaluesit dhe rrotullojeni 90° në pozicion të zhbllokuar për të lejuar lëvizjen e lirë të shasisë. Për të zhbllokuar lëvizjen rrëshqitëse të shasisë, shtyjeni shasinë drejt krahut derisa të ndalojë, dhe më pas kthejeni kunjin e ndaluesit në pozicionin e bllokuar.

► **Fig. 11:** 1. Pozicioni i bllokuar 2. Pozicioni i zhbllokuar 3. Kunji ndalues 4. Krahu

## Mbrojtësja e diskut

**⚠ PARALAJMËRIM:** Mos e shtyni kurrë me forcë ose të hiqni mbrojtësen e diskut ose sustën që ngjitet me mbrojtësen. Një disk i ekspozuar si rezultat i mbrojtëses së larguar mund të çojë në lëndime personale serioze gjatë përdorimit.

**⚠ PARALAJMËRIM:** Mos e përdorni kurrë veglën nëse mbrojtësja e diskut ose susta janë dëmtuar, kanë defekt ose janë hequr. Përdorimi i veglës me një mbrojtëse të dëmtuar, me defekt ose të hequr mund të çojë në dëmtime personale të rënda.

**⚠ KUJDES:** Gjithmonë mbajeni mbrojtësen e diskut në gjendje të mirë për funksionim të sigurt. Ndaloheni menjëherë punën nëse ka parregullsi me mbrojtësen e diskut. Kontrolloni që të siguroheni për veprimin e kthimit të sustës në mbrojtëse.

Kur ulet doreza, mbrojtësja e diskut ngrihet automatikisht. Mbrojtësja është e pajisur me një sustë, kështu që ajo kthehet në pozicionin e saj fillestar pas përfundimit të prerjes dhe ngritjes së dorezës.

► **Fig.12:** 1. Mbrojtësja e diskut

## Pastrimi

Nëse mbrojtësja transparente e diskut ndotet ose në të hyn tallash dhe pengon shikimin e qartë të diskut dhe/ose materialit të punës, hiqni kutinë e baterisë dhe pastrimi me kujdes mbrojtësen me një copë të njomur. Mos përdorni tretës ose pastrues me bazë naftë në mbrojtësen plastike, sepse kjo mund të dëmtojë mbrojtësen.

Ndihni udhëzimet hap pas hapi të listuara rreth mënyrës së përgatitjes për pastrimin.

1. Sigurohuni që vegla të jetë e fikur dhe të jetë hequr kutia e baterisë.
2. Rrotulloni bulonin në drejtim të kundër të akrepave të orës duke përdorur çelësin heksagonal të dhënë duke mbajtur kapakun qendror.
3. Ngrini mbrojtësen e diskut dhe kapakun qendror.
4. Kur të përfundojë pastrimi, kthejeni kapakun qendror dhe shtrëngoni bulonin heksagonal duke kryer hapat e mësipërm në drejtim të kundër.
5. Sigurohuni të ktheni fletën e sharrës së rumbullakët dhe kapakun qendror në pozicionet e tyre origjinale dhe shtrëngoni bulonin heksagonal.  
► **Fig.13:** 1. Çelësi fiso heksagonal 2. Buloni heksagonal 3. Kapaku qendror  
4. Mbrojtësja e fletës

**⚠ PARALAJMËRIM:** Mos e hiqni sustën që mban mbrojtësen e fletës. Nëse mbrojtësja dëmtohet me kalimin e kohës ose nga ekspozimi ndaj rrezeve UV, kontakti qendrorë dhe shërbimit Makita për ta zëvendësuar. **MOS E SHYNYNI KURRË ME FORCË MBROJTËSEN DHE MOS E HIQNI ATË.**

## Pozicionimi i dërrasës me kanale

Kjo vegël shitet me dërrasa me kanale në bazën e rrotullimit për të minimizuar çarjet në anën dalëse të një prerjeje. Dërrasat me kanale janë rregulluar në fabrikë në mënyrë të tillë që fleta e sharrës së rumbullakët të mos prekë dërrasat me kanale. Përpara përdorimit, rregulloni dërrasat me kanale si më poshtë:

1. Sigurohuni që të hiqni kutinë e baterisë. Më pas, lironi të gjitha vidat (nga tre majtas dhe djathtas) që sigurojnë dërrasat me kanale.

► **Fig.14:** 1. Dërrasa me kanale 2. Vida

2. Shtërngojini sërish ato vetëm atë herë që dërrasat me kanale të mund të hiqen lehtë me dorë.

3. Uleni plotësisht dorezën, më pas tërhiqni dhe rrotulloni kunjin ndalues për të bllokuar dorezën në pozicionin e ulur.

4. Tërhiqni dhe rrotulloni kunjin i ndaluesit në shufrën me rreshqitje për të lejuar rreshqitjen e shasisë.

► **Fig.15:** 1. Kunji i ndaluesit

5. Tërhiqeni shasinë plotësisht drejt vetes.

6. Rregullojini dërrasat me kanale në mënyrë të tillë që ato të prekin vetëm anët e dhëmbëve të fletës.

► **Fig.16**

► **Fig.17:** 1. Disku i sharrës 2. Dhëmbët e diskut  
3. Dërrasa me kanale 4. Prerja me kënd të pjerrët në të majtë 5. Prerja e drejtë 6. Prerja me kënd të pjerrët në të djathtë

7. Shtërngoni vidat e përparme (mos i shtrëngoni fort).

8. Rrëshqiteni shasinë poshtë mesit mes anës së përparme të dërrasave me kanale dhe rigave udhëzuese. Rregullojini dërrasat me kanale në mënyrë të tillë që ato të prekin vetëm anët e dhëmbëve të fletës.

9. Shtërngoni vidat e qendrës (mos i shtrëngoni fort).

10. Shtyjeni shasinë plotësisht drejt rigave udhëzuese dhe më pas rregulloni dërrasat me kanale në mënyrë që ato të prekin vetëm skajet e dhëmbëve të fletës.

11. Shtërngoni vidat e pasme (mos i shtrëngoni fort).

12. Pasi të keni rregulluar dërrasat me kanale, lironi kunjin ndalues për bllokimin e dorezës dhe ngrini dorezën. Më pas, shtrëngoni mirë të gjitha vidat.

**VINI RE:** Pasi të keni përcaktuar këndin e prerjes së pjerrët sigurohuni që dërrasat me kanale të rregullohen siç duhet. Rregullimi i saktë i dërrasave me kanale ndihmon në sigurimin e mbështetjes së duhur të materialit të punës duke minimizuar çarjet e materialit të punës.

## Ruajtja e kapacitetit prerës maksimal

Kjo vegël është prodhuar nga fabrika që të ofrojë një kapacitet prerjeje maksimal për një disk sharre 216 mm. Gjatë instalimit të një flete të re sharre të rumbullakët, kontrolloni gjithmonë pozicionin e kufirit të poshtëm të fletës së sharrës së rumbullakët dhe, nëse është e nevojshme, rregullojeni si vijon:

1. Hiqni kutinë e baterisë. Më pas, shtyni plotësisht shasinë drejt rigës udhëzuese dhe ulni dorezën deri në fund.

► **Fig.18:** 1. Buloni rregullues 2. Riga udhëzuese

2. Përdorni çelësin fiso hegzagonal për ta rrotulluar bulonin e rregullimit derisa fleta e sharrës së rumbullakët të dalë paksa nën sipërfaqen e rigës udhëzuese dhe sipërfaqen e sipërme të bazës së rrotullimit.

► Fig.19

3. Rrotulloni fletën me dorë ndërkohë që mbani dorezën të ulur poshtë fare që të siguroheni që fleta e sharrës së rumbullakët të mos prekë asnjë pjesë të bazës së poshtme. Rregullojeni pak, nëse është nevoja.

**▲PARALAJMËRIM:** Pasi të keni instaluar një fletë të re sharre të rumbullakët me kutinë e baterisë të hequr, sigurohuni gjithmonë që fleta e sharrës së rumbullakët të mos të prekë asnjë pjesë të bazës së poshtme kur doreza ulet plotësisht. Nëse fleta e sharrës së rumbullakët prek bazën mund të shkaktojë zbrapsje dhe të çojë në lëndime personale serioze.

► Fig.20

## Krahu i ndaluesit

Pozicioni i kufirit të poshtëm të fletës së rumbullakët mund të rregullohet lehtësisht me anë të krahut të ndaluesit. Për ta rregulluar, lëvizni krahun e ndaluesit në drejtim të shigjetës siç tregohet në figurë. Rrotullojeni vidën rregulluese në mënyrë të tillë që fleta të ndalojë në pozicionin e dëshiruar kur doreza ulet plotësisht.

► Fig.21: 1. Çelësi hegzagonal 2. Vida rregulluese 3. Krahu i ndaluesit

**▲KUJDES:** Gjithmonë mbajeni dorezën fort kur e rregulloni. Në rast të kundërt, kjo mund të bëjë që shasia të kërcejë lart dhe të rezultojë në lëndime.

## Rregullimi i këndit të prerjes me kënd

**▲KUJDES:** Pasi të keni ndryshuar këndin e prerjes me kënd, gjithmonë siguroni bazën e rrotullimit duke e kthyer levën e lirimit në pozicion të bllokuar dhe duke shtrënguar fort mbajtësen.

**VINI RE:** Kur rrotulloni bazën e rrotullimit, sigurohuni që të ngrini dorezën plotësisht.

1. Rrotullojeni mbajtësen në drejtim të kundërt të akrepave të orës dhe shtypni levën e lirimit në një pozicion të zhblokuar.

2. Mbani dhe rrotulloni mbajtësen nga ana në anë për të rrotulluar bazën.

3. Bashkërenditni treguesin me këndin e dëshiruar në shkallën e këndit të prerjes me kënd.

4. Shtyni lart levën e lirimit në pozicion të bllokuar dhe shtrëngoni mbajtësen.

► Fig.22: 1. Mbajtësja 2. Leva e lirimit 3. Pozicioni i bllokuar 4. Pozicioni i zhblokuar 5. Treguesi 6. Shkalla e këndit të prerjes me kënd

## Funksioni i ndalimit pozitiv

Kjo sharrë për prerje të pjerrët përmban funksion ndalimi pozitiv. Mund ta vendosni me shpejtësi këndin e djathtë/ majtë të prerjes me kënd 0°, 15°, 22,5°, 31,6°, 45° dhe 60°.

1. Rrotullojeni bazën pranë këndit të dëshiruar të ndalimit pozitiv ndërkohë që shtypni levën e lirimit në pozicionin e zhblokuar.

2. Shtypeni me dashje levën e lirimit lart në gjysmë të rrugës mes pozicionit të zhblokuar dhe pozicionit të bllokuar.

3. Rrotullojeni bazën në këndin e dëshiruar të ndalimit pozitiv derisa të sigurohet.

4. Shtyni lart levën e lirimit lart në pozicionin e bllokuar dhe shtrëngoni mbajtësen.

► Fig.23: 1. Këndi i ndalimit pozitiv 2. Leva e lirimit 3. Pozicioni i bllokuar 4. Pozicioni i zhblokuar 5. Mbajtësja

## Rregullimi i këndit të prerjes së pjerrët

**▲KUJDES:** Pasi të keni ndryshuar këndin e prerjes së pjerrët, gjithmonë siguroni krahun duke shtrënguar diskun e mbajtëses në drejtim të akrepave të orës.

**VINI RE:** Gjithmonë hiqeni mbrojtësen e sipërme dhe morsën vertikale përpara se të rregulloni këndin e prerjes së pjerrët.

**VINI RE:** Kur anoni fletën e sharrës së rumbullakët sigurohuni që shasia të jetë ngritur plotësisht.

**VINI RE:** Kur ndryshoni këndet e prerjes së pjerrët, sigurohuni që të keni ripozicionuar siç duhet dërrasat me kanale siç shpjegohet në paragraf për pozicionimin e dërrasave me kanale.

**VINI RE:** Mos e shtrëngoni shumë diskun e mbajtëses. Duke vepruar kështu mund të shkaktohet keqfunksionim i mekanizmit të bllokimit të këndit të prerjes.

## Animi i fletës së sharrës së rumbullakët në të majtë

1. Rrotulloni diskun e mbajtëses në drejtim të akrepave të orës.

2. Mbani dorezën dhe anojeni shasinë në të majtë.

3. Bashkërenditni treguesin me këndin e dëshiruar në shkallën e këndit të prerjes së pjerrët.

4. Shtrëngojeni diskun e mbajtëses në drejtim të akrepave të orës për të siguruar krahun.

► Fig.24: 1. Disku i mbajtëses 2. Doreza 3. Treguesi 4. Shkalla e këndit të prerjes së pjerrët

## Animi i fletës së sharrës së rumbullakët në të djathtë

1. Rrotulloni diskun e mbajtëses në drejtim të akrepave të orës.

2. Mbani dorezën dhe anojeni shasinë lehtë në të majtë.

3. Anojeni shasinë në të djathtë ndërkohë që tërhiqni levën e lirimit për këndin e djathtë të prerjes së pjerrët.

4. Bashkërenditni treguesin me këndin e dëshiruar në shkallën e këndit të prerjes së pjerrët.

5. Shtrëngojeni diskun e mbajtëses në drejtim të akrepave të orës për të siguruar krahun.

► Fig.25: 1. Disku i mbajtëses 2. Doreza 3. Leva e lirimit për këndin e djathtë të prerjes së pjerrët 4. Treguesi 5. Shkalla e këndit të prerjes së pjerrët

## Animi i fletës së sharrës së rumbullakët përtej rrezes 0° - 45°

1. Rrotulloni diskun e mbajtëses në drejtim të akrepave të orës.
  2. Mbani dorezën dhe anojeni shasinë përmes 45° në të majtë ose në të djathtë.
  3. Tërhiqeni shasinë prapa lehtë dhe kthejeni levën për këndin e prerjes së pjerrët 48° në drejtim të akrepave të orës.
  4. Anojeni shasinë më tej në të majtë ose në të djathtë ndërkohë që mbani levën të liruar.
  5. Shtrëngojeni diskun e mbajtëses në drejtim të akrepave të orës për të siguruar krahun.
- **Fig.26:** 1. Disku i mbajtëses 2. Doreza 3. Leva e lirimit për këndin e prerjes së pjerrët 48°

## Veprimi i ndërrimit

**▲ PARALAJMËRIM:** Përpara se të vendosni kutinë(të) e baterisë në vegël, kontrolloni gjithmonë për të parë nëse këmbëza e çelësit aktivizohet siç duhet dhe nëse kthehet në pozicionin “OFF” (fikur) kur lëshohet. Mos e tërhiqni fort këmbëzën e çelësit pa shtypur butonin e zhbllokimit. Kjo mund të shkaktojë thyerjen e çelësit. Përdorimi i veglës me një çelës që nuk funksionon siç duhet mund të çojë në humbje të kontrollit dhe lëndim të rëndë personal.

**▲ PARALAJMËRIM:** ASNJËHERË mos e përdorni veglën pa çelës plotësisht funksional. Një vegël, çelësi i së cilës nuk punon siç duhet është SHUMË E RREZIKSHME dhe duhet të riparohet përpara se të përdoret më tej, përndryshe mund të pësoni lëndime personale serioze.

**▲ PARALAJMËRIM:** Mos e shtyni KURRË me forcë butonin e zhbllokimit duke e goditur ose në ndonjë mënyrë tjetër. Një çelës me një buton zhbllokimi të sforcuar mund të çojë në ndezje të paqëllimshme dhe lëndime personale të rënda.

**▲ PARALAJMËRIM:** ASNJËHERË mos e përdorni veglën nëse ndizet kur thjesht tërhiqni këmbëzën e çelësit, pa shtypur butonin e bllokimit. Një çelës që ka nevojë të riparohet mund të çojë në ndezje të paqëllimshme dhe lëndime personale të rënda. Çojeni veglën në qendrën e shërbimit të Makita-s për riparimet e duhura PËRPARA përdorimit të mëtejshëm.

- **Fig.27:** 1. Këmbëza e çelësit 2. Butoni i bllokimit 3. Vrima për drynin

Për të shmangur tërheqjen aksidentale të këmbëzës së çelësit, vegla është pajisur me një buton zhbllokimi. Për ta ndezur veglën shtypni brenda butonin e zhbllokimit dhe tërhiqni këmbëzën e çelësit. Lironi këmbëzën e çelësit për ta fikur. Këmbëza e çelësit është e pajisur me një vrimë për të futur drynin për të kyçur veglën.

**▲ PARALAJMËRIM:** Mos përdorni dry me shufër ose kablo më të vogël se 6,35 mm në diametër. Një shufër ose kablo më e vogël mund të mos e bllokoi veglën siç duhet në pozicionin e fikur dhe mund të vihet në punë pa dashje duke çuar në lëndime personale të rënda.

## Transmetimi i një vije prerjeje

**▲KUJDES:** Llamba nuk është rezistente ndaj shiut. Mos e lani llambën në ujë dhe mos e përdorni në shi ose në zonë të lagësht. Një veprim i tillë mund të shkaktojë goditje elektrike dhe tym.

**▲KUJDES:** Mos e prekni lентen e llambës pasi ajo është shumë e nxehtë kur është e ndezur ose pak pasi është fikur. Kjo mund të shkaktojë djegie.

**▲KUJDES:** Mos e prekni llambën, pasi kjo mund të shkaktojë dëmtime ose mund të shkurtojë jetëgjatësinë e saj.

**▲KUJDES:** Mos e shikoni direkt dritën ose burimin e dritës.

Llamba LED transmeton dritë mbi fletën e sharrës së rumbullakët dhe një hije e fletës bie mbi materialin e punës që shërben si tregues pa kalibrim i vijës së prerjes. Shtypni butonin e llambës për të derdhur dritë. Shfaqet një vijë në të cilën fleta do të takojë sipërfaqen e materialit të punës, duke u thelluar ndërkohë që fleta ulet.

- **Fig.28:** 1. Butoni i llambës 2. Llamba 3. Vija e prerjes

Treguesi ndihmon prerjen përmes një vije ekzistuese prerjeje të shënuar me laps në materialin e punës.

1. Mbajeni dorezën dhe uleni fletën e sharrës së rumbullakët në mënyrë që një hije e dendur e sharrës të bjerë mbi materialin e punës.
2. Bashkërenditni një vijë prerjeje të vizatuar mbi materialin e punës me vijën e prerjes hije.
3. Rregulloni këndin e prerjes me kënd dhe këndet e prerjes së pjerrët nëse është e nevojshme.

**SHËNIM:** Sigurohuni që të fikni çelësin e llambës pas përdorimit pasi duke e mbajtur ndezur konsumohet energjia e baterisë.

**SHËNIM:** Drita fiket automatikisht 5 minuta pasi përfundoni përdorimin.

## Funksioni elektronik

### Freni elektrik

Kjo vegël është pajisur me fren elektrik për fletën. Nëse vegla vazhdimisht nuk arrin të ndalojë me shpejtësi funksionimin pasi lëshohet këmbëza e çelësit, dërgojeni veglën për shërbim te një qendër shërbimi Makita.

### Kontrolli i shpejtësisë konstante

Vegla ofrohet me një komandues elektronik shpejtësie, i cili ndihmon në ruajtjen e shpejtësisë konstante të rrotullimit të fletës, edhe nën ngarkesë. Shpejtësia konstante e rrotullimit të fletës sjell prerje shumë të shtruar.

### Veçoria e ndezjes së ngadaltë

Ky funksion lejon ndezjen pa probleme të veglës duke kufizuar forcën rrotulluese në ndezje.

# MONTIMI

**▲PARALAJMËRIM:** Përpara se të punoni me veglën, sigurohuni gjithmonë që vegla të jetë e fikur dhe kutia e baterisë të jetë hequr. Mosfikja e veglës dhe mosheqja e kutisë së baterisë mund të rezultojë në lëndim të rëndë personal.

## Ruajtja e çelësit hegzagonal

Kur nuk e keni në përdorim, çelësin hegzagonal ruajeni siç tregohet në figurë që të mos ju humbë.

► **Fig.29:** 1. Çelësi hegzagonal

## Heqja dhe instalimi i fletës së sharrës

**▲PARALAJMËRIM:** Sigurohuni gjithmonë që vegla të jetë fikur dhe që kutia e baterisë të jetë hequr përpara heqjes dhe instalimit të fletës së sharrës së rumbullakët. Ndezia aksidentale e veglës mund të shkaktojë lëndim të rëndë personal.

**▲PARALAJMËRIM:** Përdorni vetëm çelësin Makita të dhënë për heqjen dhe instalimin e fletës së sharrës së rumbullakët. Mospërdorimi i këtij çelësi mund të shkaktojë shtrëngim të tepërt ose të pamjaftueshëm të bulonit hegzagonal dhe lëndim të rëndë personal.

**▲PARALAJMËRIM:** Asnjëherë ose përdorni ose zëvendësoni pjesë që nuk janë dhënë me këtë vegël. Përdorimi i këtyre pjesëve mund të shkaktojë lëndime të rënda personale.

**▲PARALAJMËRIM:** Pas vendosjes së fletës së sharrës së rumbullakët, sigurohuni gjithmonë që të funksionojë siç duhet. Aksesorët e liruar të fletës së sharrës së rumbullakët mund të shkaktojnë lëndime të rënda personale.

## Heqja e fletës

Për të hequr fletën e sharrës së rumbullakët, ndiqni hapat e mëposhtëm:

1. Bllokoni shasinë në pozicionin e ngritur duke tërhequr dhe rrotulluar levën e ndaluesit në pozicionin e bllokuar.

► **Fig.30:** 1. Kunji i ndaluesit

2. Përdorni çelësin fiso hegzagonal për të liruar bulonin hegzagonal që mban kapakun qendror. Më pas, ngrini mbrojtësen e fletës dhe kapakun qendror.

► **Fig.31:** 1. Çelësi fiso hegzagonal 2. Buloni hegzagonal 3. Kapaku qendror 4. Mbrojtësja e diskut

3. Shtypni bllokuesin e boshtit për të bllokuar boshtin dhe përdorni çelësin fiso hegzagonal për të liruar bulonin hegzagonal në drejtim të akrepave të orës. Më pas, hiqni bulonin hegzagonal, flaxhën e jashtme dhe fletën e sharrës së rumbullakët.

► **Fig.32:** 1. Buloni hegzagonal (majtas) 2. Flaxha e jashtme 3. Bllokimi i boshtit

4. Nëse flaxha e brendshme hiqet, instalohet në bosht me pjesën e montimit në fletë të drejtuar nga fleta e sharrës së rumbullakët. Nëse flaxha instalohet gabim, ajo do të fërkohet me makinerinë.

► **Fig.33:** 1. Flaxha e jashtme 2. Fleta e sharrës së rumbullakët 3. Flaxha e brendshme 4. Buloni hegzagonal (majtas) 5. Boshti 6. Pjesa e montimit në disk

## Instalimi i fletës

**▲KUJDES:** Sigurohuni që të instaloni fletën e sharrës së rumbullakët në mënyrë të tillë që drejtimi i shigjetës në fletë të përputhet me kasën e diskut. Moskryerja e këtyre veprimeve mund të çojë në lëndime personale dhe mund të dëmtojë veglën dhe/ose materialin e punës.

Për të instaluar fletën e sharrës së rumbullakët, ndiqni hapat e mëposhtëm:

1. Montojeni fletën e sharrës së rumbullakët me kujdes në flaxhën e brendshme. Sigurohuni që drejtimi i shigjetës në fletën e sharrës së rumbullakët të përputhet me drejtimin e shigjetës në kutinë e fletës.

► **Fig.34:** 1. Shigjeta

2. Instaloni flaxhën e jashtme dhe bulonin hegzagonal dhe më pas përdorni çelësin fiso hegzagonal për të shtrënguar bulonin hegzagonal (majtas) në mënyrë të sigurt në drejtim të kundërt të akrepave të orës, ndërkohë që mbani shtypur bllokuesin e boshtit.

3. Ktheni mbrojtësen e fletës dhe kapakun qendror në pozicionin e tyre fillestar. Më pas shtrëngoni bulonin hegzagonal të kapakut qendror për ta siguruar.

4. Tërhiqni dhe rrotulloni kunjin e ndaluesit për të liruar shasinë nga pozicioni i ngritur. Ulni shasinë dhe kontrolloni që mbrojtësja e fletës lëviz siç duhet.

## Për veglën me flaxhë të brendshme për fletë sharre me diametër vrimë 15,88 mm

### Sipas shtetit

Montoni flaxhën e brendshme me anën e futur të saj të drejtuar për jashtë mbi boshtin e montimit dhe më pas vendosini fletën e sharrës së rumbullakët, flaxhën e jashtme dhe bulonin hegzagonal.

► **Fig.35:** 1. Flaxha e jashtme 2. Fleta e sharrës së rumbullakët 3. Flaxha e brendshme 4. Buloni hegzagonal (majtas) 5. Boshti 6. Ana e futur

## Për veglën me flaxhë të brendshme për fletë sharre ndryshe nga ajo me diametër vrimë 25,4 mm ose 30 mm

### Sipas shtetit

Flaxha e brendshme ka një diametër të caktuar flete nga njëra anë dhe një dalje me një diametër tjetër flete nga ana tjetër. Zgjidhni anën e saktë në të cilën pjesa e montimit të fletës përputhet saktësisht me vrimën e fletës të sharrës së rumbullakët.

► **Fig.36:** 1. Flaxha e jashtme 2. Fleta e sharrës së rumbullakët 3. Flaxha e brendshme 4. Buloni hegzagonal (majtas) 5. Boshti 6. Pjesa e montimit në disk

**▲KUJDES:** Sigurohuni që pjesa e montimit të fletës "a" në flaxhën e brendshme që është e drejtuar nga jashtë të përputhet saktësisht me vrimën "a" të fletës së sharrës së rumbullakët. Montimi i fletës së sharrës së rumbullakët në anën e gabuar mund të shkaktojë dridhje të rrezikshme.



## Lidhja me një fshesë me korrent

Kur dëshironi të kryeni prerje të pastra, lidhni një fshesë me korrent Makita me hundëzën e pluhurit (porta e sipërme e pluhurave) duke përdorur unazë të përparme 24 (aksesor opsional).

► **Fig.37:** 1. Unazat e përparme 24 2. Tubi 3. Fshesa me korrent

## Qese e pluhurit

**▲KUJDES:** Kur kryeni një prerje, gjithmonë bashkoni qesen e pluhurit ose lidhni një fshesë me korrent për të parandaluar rriziqet që lidhen me pluhurin.

Përdorimi i qeses së pluhurave e bën prerjen të pastër dhe lehtëson thithjen e pluhurit. Për të bashkuar qesen e pluhurit, hiqeni zorrën për nxjerrjen e pluhurit nga vegla dhe lidhjeni me qesen e pluhurit me hundëzën e pluhurit (porta e sipërme e pluhurave).

► **Fig.38:** 1. Zorra për nxjerrjen e pluhurit 2. Qesja e pluhurit 3. Hundëza e pluhurit (porta e sipërme e pluhurave)

Kur qesja e pluhurit të jetë afërsisht gjysmë e mbushur, hiqeni qesen e pluhurit nga vegla dhe hiqeni shtrënguesen. Boshatiseni qesen e pluhurit duke e goditur lehtë që të hiqni grimcat që janë ngjitur nga brenda, të cilat mund të vështirësojnë mbledhjen e mëtejshme të pluhurit.

► **Fig.39:** 1. Shtrënguesja

## Sigurimi i materialit

**▲PARALAJMËRIM:** Është shumë e rëndësishme që të siguroni siç duhet materialin e punës me llojin e duhur të morsës. Moskryerja e këtyre veprimeve mund të çojë në lëndime personale të rënda dhe mund të dëmtojë veglën dhe/ose materialin e punës.

**▲PARALAJMËRIM:** Kur prisni një material pune që është më i gjatë se baza mbështetëse e sharrës, mbështeteni të gjithë gjatësinë e materialit përtej bazës mbështetëse dhe në të njëjtën largësi për të ruajtur nivelin e materialit. Mbështetja e mirë e materialit të punës ndihmon në shmangien e bllokimit të diskut dhe zbrapsjeve të mundshme që mund të çojnë në lëndime personale të rënda. Për sigurimin e materialit të punës mos u mbështesni vetëm te morsa vertikale dhe/ose morsa horizontale. Materialet e holla të punës kanë tendencën të përkulen. Mbështeteni materialin e punës përgjatë gjithë gjatësisë së tij për të shmangur kapjen te disku dhe ZBRAPSJEN e mundshme.

► **Fig.40:** 1. Mbështetja 2. Baza e rrotullimit

## Rigat udhëzuese

**▲PARALAJMËRIM:** Përpara se të përdorni veglën sigurohuni që riga e sipërme të jetë siguruar mirë.

**▲PARALAJMËRIM:** Përpara prerjeve të pjerrëta sigurohuni që asnjë pjesë e veglës, në veçanti fleta, të mos prekë rigat e sipërme dhe të poshtme kur doreza ulet ose ngrihet plotësisht në çdo pozicion dhe kur shasia lëvizet në të gjithë gamën e saj të lëvizjes. Nëse vegla ose fleta prekën rigën kjo mund të çojë në zbrapsje ose lëvizje të papritura të materialit dhe lëndim personal të rëndë.

Përdorni rigat e sipërme për ta mbështetur materialin më lart se rigat e poshtme. Lironi vidën shtrënguese në mënyrë të tillë që rigat e sipërme të rreshtohen brenda dhe jashtë mbi rigat e poshtme. Ripoziciononi rigat dhe më pas shtrëngojni vidat.

► **Fig.41:** 1. Riga e sipërme 2. Riga e poshtme 3. Vida e mbërthimit 4. Vida rregulluese

**VINI RE:** Rigat e poshtme fiksohen në bazë që në fabrikë. Mos i hiqni rigat e poshtme.

**VINI RE:** Nëse riga e sipërme vazhdon të jetë e lirë pas shtrëngimit të vidës së mbërthimit, rrotullojeni vidën rregulluese për të mbyllur hapësirën. Vida rregulluese është e rregulluar që në fabrikë. Nuk ju nevojitet ta përdorni atë përveçse kur nevojitet.

## Morsa vertikale

**▲PARALAJMËRIM:** Materiali i punës duhet të sigurohet mirë kundrejt bazës së rrotullimit dhe rigave udhëzuese me anë të morsës gjatë gjithë përdorimeve. Nëse materiali i punës nuk është siguruar mirë pas rigës, materiali mund të lëvizë gjatë prerjes duke shkaktuar dëmtime të mundshme të fletës, duke bërë që materiali të shpërhapet dhe humbje të kontrollit që mund të çojë në lëndime personale të rënda.

Morsa vertikale mund të instalohet në dy pozicione, secili në anën e majtë dhe të djathtë të bazës. Futeni shufrën e morsës në një nga vrimat në bazë. Pozicionojeni krahu e morsës sipas trashësisë dhe formës së materialit të punës dhe siguroni krahu e morsës duke shtrënguar vidën shtrënguese. Nëse vida shtrënguese prek shasinë, instaloheni atë në anën e kundërt të krahut të morsës. Sigurohuni që asnjë pjesë e veglës të mos e prekë morsën gjatë uljes së dorezës deri në fund. Nëse ndonjë pjesë prek morsën, ndryshoni pozicionin e morsës.

Shtypni materialin e punës rrafsh me rigat udhëzuese dhe bazën e rrotullimit. Vendoseni materialin e punës në pozicionin e dëshiruar të prerjes dhe sigurojeni mirë duke shtrënguar çelësin e morsës.

► **Fig.42:** 1. Vrimat 2. Shufra e morsës 3. Krahu i morsës 4. Vida e shtrëngimit 5. Doreza e morsës

## Morsa horizontale

### Aksesorë opsionale

**▲ PARALAJMËRIM:** Rrotullojeni gjithmonë mbajtësen e dados në drejtim të akrepave të orës derisa materiali i punës të jetë siguruar siç duhet. Nëse materiali i punës nuk sigurohet, ai mund të lëvizë gjatë prerjes duke shkaktuar dëmtim të fletës së sharrës së rrumbullakët, lëvizje të materialit dhe humbje të kontrollit, të cilat rezultojnë në lëndime personale të rënda.

**▲ PARALAJMËRIM:** Kur prisni një material pune të hollë, si plintet, mbështetur në rigë, përdorni gjithmonë një morskë horizontale.

**▲ KUJDES:** Kur pritni material pune me trashësi 20 mm ose më të hollë, sigurohuni që të përdorni një billok distancatori për të siguruar materialin e punës.

Morsa horizontale mund të instalohet ose në anën e majtë ose në anën e djathtë të bazës. Gjatë kryerjes së prerjeve me kënd 22,5° ose me kënd më të madh, instaloni morskën horizontale në anën e kundërt të drejtimin në të cilin do të rrotullohet baza e rrotullimit. Duke futur mbajtësen e dados në drejtim të kundërt të akrepave të orës, morsa lirohet dhe futet ose nxirret me shpejtësi. Për të mbajtur materialin e punës, shtyni çelësin e morskës përpara derisa pllaka e morskës të prekë materialin e punës dhe futni mbajtësen e dados në drejtim të akrepave të orës. Më pas rrotulloni çelësin e morskës në drejtim orar për të siguruar materialin e punës.

► **Fig.43:** 1. Pllaka e morskës 2. Mbajtësja e dados 3. Doreza e morskës

**SHËNIM:** Gjerësia maksimale e materialit të punës që mund të sigurohet me anë të morskës horizontale është 68 mm.

## Baza e poshtme

**▲ PARALAJMËRIM:** Materialin e gjatë të punës mbështeteni gjithmonë në mënyrë të tillë që të jetë në nivel me sipërfaqen e sipërme të bazës së rrotullimit për një prerje të saktë dhe për të parandaluar humbjen e rrezikshme të kontrollit të veglës. Mbështetja e mirë e materialit të punës ndihmon në shmangien e bllokimit të fletës dhe zbrapsjeve të mundshme që mund të çojnë në lëndime personale të rënda.

**▲ PARALAJMËRIM:** Përpara prerjes, gjithmonë sigurohuni që bazat e poshtme të jenë siguruar me vida.

Për të mbajtur horizontalisht materialet e gjata të punës, jepen baza të poshtme në të dyja anët e veglës. Lironi vidat dhe zgjatini bazat e poshtme në gjatësinë e duhur për mbajtjen e materialit të punës. Më pas, shtrëngojini vidat.

► **Fig.44:** 1. Baza e poshtme 2. Vida

Gjatë prerjes, vendoseni materialin e punës rrafsh me rigat udhëzuese.

► **Fig.45:** 1. Riga udhëzuese 2. Baza e poshtme

## PËRDORIMI

Kjo vegël është prodhuar për të prerë produkte druri. Me fletët e përshtatshme origjinale të sharrave Makita mund të sharrohen edhe materialet e mëposhtme:

— Produktet e aluminit

Referojuni uebsajtit tonë ose kontaktini me distributorin lokal të Makita për fletët e duhura të sharrës rrethore që do të përdoren për materialin që do të pritet.

**▲ PARALAJMËRIM:** Sigurohuni që fleta e sharrës së rrumbullakët nuk e prek materialin e punës etj. përpara se të ndizet çelësi. Ndezja e veglës kur fleta e sharrës së rrumbullakët prek materialin e punës mund të çojë në zbrapsje dhe lëndime personale të rënda.

**▲ PARALAJMËRIM:** Pas një prerjeje mos e ngrini fletën e sharrës së rrumbullakët derisa të ketë ndaluar plotësisht. Ngritja e fletës që ngadalësohet mund të çojë në lëndime personale të rënda dhe të dëmtojë materialin e punës.

**▲ PARALAJMËRIM:** Mos kryeni rregullime të tilla si rrotullimi i mbajtëses, levave, kunjit të ndaluesit në vegël gjatë kohës që fleta e sharrës së rrumbullakët rrotullohet. Rregullimi gjatë kohës që fleta e sharrës së rrumbullakët rrotullohet mund të rezultojë në lëndim të rëndë të personit.

**VINI RE:** Përpara përdorimit, sigurohuni të zhblokoni kunjin ndalues dhe të lironi dorezën nga pozicioni i ulur.

**VINI RE:** Mos ushtroni presion të tepërt mbi dorezë gjatë kohës që prisni. Një forcë e tepërt mund të çojë në mbingarkesë të motorit dhe/ose efikasitet të ulët në prerje. Dorezën shtypeni poshtë me forcën e nevojitur për një prerje të lëmuar dhe pa rënie të ndjeshme të shpejtësisë së diskut.

**VINI RE:** Shtypni pak poshtë dorezën për të kryer prerjen. Nëse doreza shtypet me forcë ose nëse ushtrohet forcë në njërin anë, flet e sharrës së rrumbullakët mund të dridhet dhe të lërë një shenjë (shenjen e sharrimit) në materialin e punës dhe saktësia e prerjes mund të cenohet.

**VINI RE:** Gjatë një prerjeje me rreshqitje, shtypni lehtë shasinë drejt rigave udhëzuese pa ndaluar. Nëse lëvizja e shasisë ndalon gjatë prerjes, në materialin e punës mund të lihet një shenjë dhe saktësia e prerjes mund të cenohet.

## Prerja me copa

**▲ PARALAJMËRIM:** Gjithmonë bllokoni lëvizjen rreshqitëse të shasisë kur kryeni një prerje me copa. Prerja pa bllokim mund të çojë në zbrapsje të mundshme që mund të shkaktojnë lëndime personale të rënda.

Materialet e punës 70 mm të larta dhe 92 mm të gjera mund të priten në mënyrën e mëposhtme.

1. Shtyni shasinë drejt rigave udhëzuese derisa të ndalojë dhe bllokoni me kunjin ndalues.
2. Siguroni materialin e punës me llojin e duhur të morskës.

3. Ndizeni veglën pa e prekur materialin me fletën e sharrës së rumbullakët dhe prisni derisa fleta e sharrës së rumbullakët të marrë shpejtësi të plotë përpara uljes.

4. Ulni me ngadalë poshtë dorezën plotësisht në pozicionin e poshtëm për të prerë materialin e punës.

5. Kur prerja të përfundojë, fikni veglën dhe prisni derisa fleta e sharrës së rumbullakët të ketë ndaluar plotësisht përpara se ta ktheni fletën e sharrës së rumbullakët plotësisht në pozicionin plotësisht të ngritur.

► Fig.46: 1. Kunji ndalues

## Prerje me rrëshqitje (shtyrje) (gjatë prerjes së materialeve të punës të gjera)

**▲PARALAJMËRIM:** Sa herë që kryeni një prerje me rrëshqitje, fillimisht tërhiqeni shasinë plotësisht drejt vetes dhe shtyjeni dorezën deri në fund poshtë, më pas shtyjeni shasinë drejt rigës udhëzuese. Mos e filloni asnjëherë prerjen me rrëshqitje me shasinë jo të tërhequr plotësisht drejt vetes. Nëse e kryeni prerjen e pjerrët me shasinë jo të tërhequr plotësisht drejt vetes, mund të ndodhin zbrapsje të papritura dhe mund të shkaktohet lëndim i rëndë personal.

**▲PARALAJMËRIM:** Mos provoni asnjëherë të kryeni prerje me rrëshqitje duke e tërhequr shasinë drejt vetes. Tërheqja e shasisë drejt vetes gjatë prerjes mund të shkaktojë zbrapsje të papritur, duke rezultuar në lëndim të mundshëm të rëndë personal.

**▲PARALAJMËRIM:** Mos kryeni asnjëherë prerje me rrëshqitje me dorezën të bllokuar në pozicion të ulur.

1. Zhblokoni kunjat e ndaluesit në mënyrë që shasia të mund të ngrihet dhe të rrëshqasë lirshëm.

2. Sigurori materialin e punës me llojin e duhur të morskës.

3. Tërhiqeni shasinë plotësisht drejt vetes.

4. Ndizeni veglën pa e prekur materialin me fletën e sharrës së rumbullakët dhe prisni derisa fleta e sharrës së rumbullakët të marrë shpejtësi të plotë.

5. Shtyjeni dorezën poshtë dhe shtyjeni shasinë drejt rigave udhëzuese dhe përmes materialit të punës.

6. Kur prerja të përfundojë, fikni veglën dhe prisni derisa fleta e sharrës së rumbullakët të ketë ndaluar plotësisht përpara se ta ktheni fletën e sharrës së rumbullakët plotësisht në pozicionin plotësisht të ngritur.

► Fig.47: 1. Kunji i ndaluesit për bllokimin e dorezës 2. Kunji i ndaluesit për bllokimin e rrëshqitës

## Prerja me kënd

Drejtijuni seksionit për rregullimin e këndit të prerjes me kënd.

## Prerja me kënd të pjerrët

**▲PARALAJMËRIM:** Pasi ta keni caktuar fletën e sharrës së rumbullakët për prerje me kënd të pjerrët, sigurohuni që shasia dhe fleta e sharrës së rumbullakët të kenë lëvizje të lirë gjatë gjithë vijës së prerjes së synuar përpara se ta përdorni veglën. Ndërprerja e lëvizjes së shasisë ose të fletës së sharrës së rumbullakët gjatë prerjes mund të shkaktojë zbrapsje dhe lëndim të rëndë personal.

**▲PARALAJMËRIM:** Ndërkohë që bëni prerje me kënd të pjerrët, mbajini duart larg rrugës së fletës së sharrës së rumbullakët. Këndi i fletës së sharrës së rumbullakët mund ta ngatërrojë përdoruesin për sa i përket rrugës së vërtetë të fletës dhe kontakti me fletën e sharrës së rumbullakët lëndim të rëndë personal.

**▲PARALAJMËRIM:** Fleta e sharrës së rumbullakët nuk duhet të ngrihet derisa të ketë ndaluar plotësisht. Gjatë prerjes me kënd të pjerrët, copa e prerë mund të mbetet te fleta e sharrës së rumbullakët. Nëse fleta e sharrës së rumbullakët ngrihet ndërkohë që është duke u rrotulluar, copa e prerë mund të shkapulet nga fleta e sharrës së rumbullakët duke shkaktuar copëtimin e materialit, gjë e cila mund të shkaktojë lëndim të rëndë personal.

**VINI RE:** Gjatë shtypjes së dorezës për poshtë, ushtroni forcë paralelisht te fleta e sharrës së rumbullakët. Nëse ushtrohet forcë pingule mbi bazën e rrotullimit ose nëse drejtimi i forcës së ushtruar ndryshohet gjatë prerjes, saktësia e prerjes do të zvogëlohet.

1. Hiqeni rigën e sipërme në anën që do ta anoni shasinë.

2. Zhblokoni kunjat e ndaluesit në mënyrë që shasia të mund të ngrihet dhe të rrëshqasë lirshëm.

3. Rregulloni këndin e prerjes së pjerrët sipas procedurës së shpjeguar në seksionin për rregullimin e këndit të prerjes së pjerrët. Më pas shtrëngoni diskun e mbajtëses.

4. Sigurori materialin e punës me një morskë.

5. Tërhiqeni shasinë plotësisht drejt vetes.

6. Ndizeni veglën pa e prekur materialin me fletën e sharrës së rumbullakët dhe prisni derisa fleta e sharrës së rumbullakët të marrë shpejtësi të plotë.

7. Ulni ngadalë dorezën deri në pozicionin plotësisht të ulur ndërkohë që ushtroni forcë paralelisht te fleta e sharrës së rumbullakët dhe shtyjeni shasinë drejt rigave udhëzuese për të prerë materialin e punës.

8. Kur prerja të përfundojë, fikni veglën dhe prisni derisa fleta e sharrës së rumbullakët të ketë ndaluar plotësisht përpara se ta ktheni fletën e sharrës së rumbullakët plotësisht në pozicionin plotësisht të ngritur.

► Fig.48

## Prerja e përbërë

Prerja e përbërë është procesi në të cilin këndi i prerjes së pjerrët formohet njëkohësisht gjatë prerjes me kënd në materialin e punës. Prerja e përbërë mund të kryhet në këndin e treguar në tabelë.

Këndi i prerjes me kënd	Këndi i prerjes së pjerrët
Majtas dhe djathtas 0° - 45°	Majtas dhe djathtas 0° - 45°

Gjatë kryerjes së prerjes së përbërë, referojuni seksionit për prerjen me copa, prerjen me rrëshqitje (shtyrje), prerjen me kënd dhe prerjen e pjerrët.

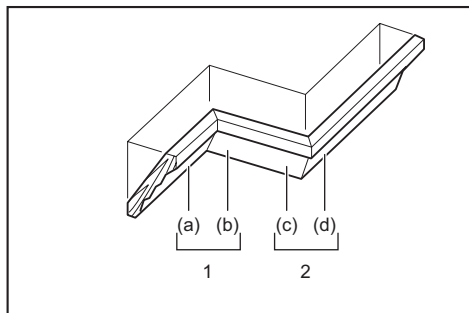
## Prerja e profileve të pjesëve skajore dhe të mysëta

Profilat e pjesëve skajore dhe të mysëta mund të priten në një sharrë të përbërë për prerje me kënd me profilat të shtrira në bazën e rrotullimit.

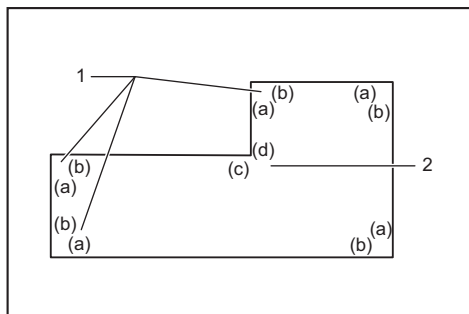
Ekzistojnë dy lloje të zakonshme profilesh të pjesëve skajore dhe një lloj profili i pjesëve të mysëta; profili i pjesëve skajore në kënd muri 52/38°, profili i pjesëve skajore në kënd muri 45° dhe profili i pjesëve të mysëta në kënd muri 45°.

► **Fig.49:** 1. Profili i pjesës skajore 52/38° 2. Profili i pjesës skajore 45° 3. Profili i pjesës së mysët 45°

Ekzistojnë dy lidhje të pjesëve skajore dhe të pjesëve të mysëta, të cilat bëhen për të përshtatur këndet 90° "nga brenda" ((a) dhe (b) në figurë) dhe këndet 90° "nga jashtë" ((c) dhe (d) në figurë).



1. Këndi i brendshëm 2. Këndi i jashtëm



1. Këndi i brendshëm 2. Këndi i jashtëm

## Matja

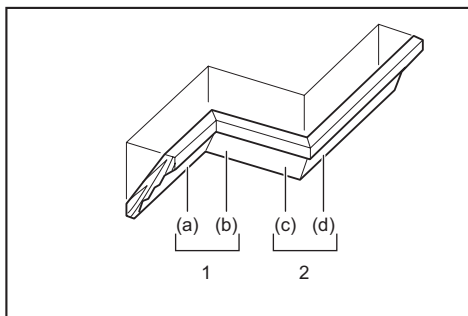
Matni gjerësinë e murit dhe rregulloni gjerësinë e materialit të punës sipas tij. Gjithmonë sigurohuni që gjerësia e këndit të kontaktit të murit të materialit të punës të jetë e njëjtë si gjatësia e murit.

► **Fig.50:** 1. Materiali i punës 2. Gjerësia e murit 3. Gjerësia e materialit të punës 4. Capi i kontaktit të murit

Përdorni gjithmonë disa copa për prerje-provë për të kontrolluar këndet e sharrës.

Gjatë prerjes së profileve të pjesëve skajore dhe të mysëta, caktojini këndin e prerjes së pjerrët dhe këndin e prerjes me kënd siç tregohet në tabelën (A) dhe pozicionojini profilat në sipërfaqen e sipërme të bazës së sharrës siç tregohet në tabelën (B).

## Në rastin e prerjes me kënd të pjerrët në të majtë



1. Këndi i brendshëm 2. Këndi i jashtëm

Tabela (A)

-	Pozicion i profilat në figurë	Këndi i prerjes së pjerrët		Këndi i prerjes me kënd	
		Lloji 52/38°	Lloji 45°	Lloji 52/38°	Lloji 45°
Për këndin e brendshëm	(a)	Majtas 33,9°	Majtas 30°	Djathtas 31,6°	Djathtas 35,3°
	(b)			Majtas 31,6°	Majtas 35,3°
Për këndin e jashtëm	(c)			Djathtas 31,6°	Djathtas 35,3°
	(d)				

Tabela (B)

-	Pozicion i profilat në figurë	Këndi i profilat kundrejt rigës udhëzuese	Pjesa e përfunduar
Për këndin e brendshëm	(a)	Këndi i kontaktit të tavanit duhet të jetë kundrejt rigës udhëzuese.	Pjesa e përfunduar do të jetë në anën e majtë të diskut.
	(b)	Këndi i kontaktit të murit duhet të jetë kundrejt rigës udhëzuese.	
Për këndin e jashtëm	(c)	Këndi i kontaktit të tavanit duhet të jetë kundrejt rigës udhëzuese.	Pjesa e përfunduar do të jetë në anën e djathtë të diskut.
	(d)	Këndi i kontaktit të murit duhet të jetë kundrejt rigës udhëzuese.	

**Shembull:**

Në rastin e prerjes së profilit të pjesës skajore të llojit 52/38° për pozicionin (a) në figurën e mësipërme:

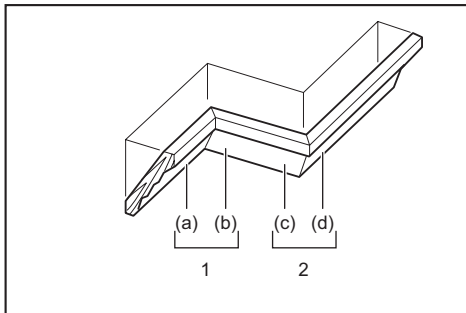
- Anoni dhe sigurori cilësimin e këndit të prerjes së pjerrët në 33,9° NË TË MAJTË.
- Rregulloni dhe sigurori cilësimin e këndin e prerjes me kënd në 31,6° NË TË DJATHTË.
- Vendoseni profilin skajor me sipërfaqen e pasme (të fshehur) të gjerë mbi bazën e rrotullimit me ANËN E KONTAKTIT ME TAVANIN kundrejt rigës udhëzuese në sharrë.
- Pjesa e lëmuar që do të përdoret do të jetë gjithmonë në anën e MAJTË të fletës sharrës së rumbullakët pas përfundimit të prerjes.

**Shembull:**

Në rastin e prerjes së profilit të pjesës skajore të llojit 52/38° për pozicionin (a) në figurën e mësipërme:

- Anoni dhe sigurori cilësimin e këndit të prerjes së pjerrët në 33,9° NË TË DJATHTË.
- Rregulloni dhe sigurori cilësimin e këndin e prerjes me kënd në 31,6° NË TË DJATHTË.
- Vendoseni profilin skajor me sipërfaqen e pasme (të fshehur) të gjerë mbi bazën e rrotullimit me ANËN E KONTAKTIT ME MURIN kundrejt rigës udhëzuese në sharrë.
- Pjesa e lëmuar që do të përdoret do të jetë gjithmonë në anën e DJATHTË të fletës së sharrës së rumbullakët pas përfundimit të prerjes.

**Në rastin e prerjes së pjerrët në të djathtë**



1. Këndi i brendshëm 2. Këndi i jashtëm

**Tabela (A)**

-	Pozicion i profilit në figurë	Këndi i prerjes së pjerrët		Këndi i prerjes me kënd	
		Lloji 52/38°	Lloji 45°	Lloji 52/38°	Lloji 45°
Për këndin e brendshëm	(a)	Djathtas 33,9°	Djathtas 30°	Djathtas 31,6°	Djathtas 35,3°
	(b)			Majtas 31,6°	Majtas 35,3°
Për këndin e jashtëm	(c)			Djathtas 31,6°	Djathtas 35,3°
	(d)				

**Tabela (B)**

-	Pozicion i profilit në figurë	Këndi i profilit kundrejt rigës udhëzuese	Pjesa e përfunduar
Për këndin e brendshëm	(a)	Këndi i kontaktit të murit duhet të jetë kundrejt rigës udhëzuese.	Pjesa e përfunduar do të jetë në anën e djathtë të fletës.
	(b)	Këndi i kontaktit të tavanit duhet të jetë kundrejt rigës udhëzuese.	Pjesa e përfunduar do të jetë në anën e majtë të fletës.
Për këndin e jashtëm	(c)	Këndi i kontaktit të murit duhet të jetë kundrejt rigës udhëzuese.	
	(d)	Këndi i kontaktit të murit duhet të jetë kundrejt rigës udhëzuese.	

**Prerja e aluminit të presuar**

► **Fig.51:** 1. Morsa 2. Bloku i distancatorit 3. Riga udhëzuese 4. Alumini i presuar 5. Bloku i distancatorit

Gjatë sigurimit të aluminit të presuar, përdorni shiritë mbështetës ose copa të mbetura, siç tregohet në figurë, për të parandaluar shformimin e aluminit. Përdorni një lubrifikant për prerje gjatë prerjes së aluminit të presuar për të parandaluar grumbullimin e materialeve prej alumini te fleta e sharrës së rumbullakët.

**PARALAJMËRIM:** Mos provoni asnjëherë të prisni dalje alumini të trashë ose të rumbullakët. Alumini i presuar i trashë ose i rumbullakët mund të jetë i vështirë për t'u fiksuar dhe mund të lirohet gjatë prerjes, gjë e cila mund të rezultojë në humbje të kontrollit dhe në lëndim të rëndë personal.

**Prerja me kanale**

**PARALAJMËRIM:** Mos provoni ta kryeni këtë lloj prerjeje duke përdorur një lloj më të gjerë disku ose një disk për prerje me kanale. Përpjekja për të kryer një prerje me kanale duke përdorur një disk më të gjerë ose një disk për prerje me kanale mund të japë rezultate të papritura prerjeje dhe të çojë në zbrapsje, gjë e cila mund të shkaktojë lëndim të rëndë personal.

**PARALAJMËRIM:** Sigurohuni që ta ktheni krahun ndalues në pozicionin fillestar gjatë kryerjes së prerjeve të ndryshme nga prerja me kanale. Përpjekja për të bërë prerje me krahun ndalues në pozicion të pasaktë mund të japë rezultate të papritura dhe të çojë në zbrapsje, gjë e cila mund të shkaktojë lëndim të rëndë personal.

Për një prerje të llojit me kanale, veproni si vijon:

1. Rregulloni pozicionin e kufirit të poshtëm të fletës së sharrës së rumbullakët duke përdorur vidën rregulluese dhe krahun ndalues për të kufizuar thellësinë e prerjes së fletës së sharrës së rumbullakët. Referojuni seksionit për krahun e ndaluesit.
2. Pas rregullimit të pozicionit të kufirit të poshtëm të fletës së sharrës së rumbullakët, prisni kanale paralele përgjatë gjerësisë së materialit të punës duke përdorur prerje me rëshqitje (shtyrje).  
► **Fig.52:** 1. Pritni kanale me disk
3. Hiqeni pjesën e materialit të punës të mbetur ndërmjet kanaleve me anë të një dalje.

## Transportimi i veglës

Përpara transportimit të veglës, sigurohuni që të hiqni kutinë e baterisë dhe të jenë siguruar të gjitha pjesët e lëvizshme të sharrës me prerje me kënd. Gjithmonë kontrolloni sa më poshtë:

- Kutia e baterisë është hequr.
- Shasia ndodhet në pozicion këndi prerjeje të pjerrët 0° dhe është e siguruar.
- Shasia është ulur dhe bllokuar.
- Shasia është rreshqitur plotësisht në rigat udhëzuese dhe është bllokuar.
- Baza e rrotullimit ndodhet në pozicionin e plotë të djathtë të këndit të prerjes me kënd dhe është e siguruar.
- Bazat e poshtme janë të ruajtura dhe të siguruara.

Transportojeni veglën nga doreza ose duke mbajtur të dyja anët e bazës së veglës.

► Fig.53

► Fig.54

**▲ PARALAJMËRIM:** Kunji ndalues për ngritjen e shasisë shërben vetëm për qëllime transportimi dhe ruajtjeje dhe jo për prerje. Përdorimi i kunjit ndalues për prerje mund të shkaktojë lëvizje të papritura të fletës së sharrës së rumbullakët dhe të rezultojë në zmbarsje dhe lëndim të rëndë personal.

**▲ KUUJDES:** Sigurojini gjithmonë të gjitha pjesët lëvizëse para se të transportoni veglën. Nëse pjesë të veglës lëvizin ose rreshqasin gjatë transportimit, mund të ndodhë humbja e kontrollit ose e ekuilibrit, duke shkakuar lëndim personal.

**▲ KUUJDES:** Sigurohuni që ngritja e shasisë të jetë bllokuar siç duhet në fund të saj me anë të kunjit të ndaluesit. Nëse kunji e ndaluesit nuk vendoset siç duhet, shasia mund të kërcejë lart papritur dhe të shkaktojë lëndim të personit.

## FUNKSIONI I AKTIVIZIMIT TË LIDHJES ME VALË

### Çfarë mund të bëni me funksionin e aktivizimit të lidhjes me valë

Funksioni i aktivizimit të lidhjes me valë mundëson përdorim të pastër dhe të rehatshëm. Duke lidhur një fshesë të mbështetur me korrent me veglën, mund ta përdorni fshesën automatikisht bashkë me mekanizmin e funksionimit të veglës.

► Fig.55

Për përdorimin e funksionit të aktivizimit të lidhjes me valë, përgatitni sa më poshtë:

- Një njësi me valë (aksesor opsional)
- Një fshesë me korrent që mbështet funksionin e aktivizimit të lidhjes me valë

Pamja e përgjithshme e cilësimit të funksionit të aktivizimit të lidhjes me valë është si në vijim. Referojuni seksioneve përkatëse për procedurat e detajuara.

1. Instalimi i njësisë me valë
2. Regjistrimi i veglës për fshesën me korrent
3. Nisja e funksionit të aktivizimit të lidhjes me valë

## Instalimi i njësisë me valë

### Aksesorë opsionalë

**▲ KUUJDES:** Kur instaloni njësinë me valë, vendoseni veglën në një sipërfaqe të sheshtë dhe të qëndrueshme.

**VINI RE:** Përpara se të instaloni njësinë me valë, pastroni pluhurin dhe papastërtitë në vegël. Pluhuri ose papastërtitë mund të shkaktojnë keqfunksionim nëse hyjnë në folenë e njësisë me valë.

**VINI RE:** Për të parandaluar keqfunksionimin që shkaktohet nga elektriciteti statik, përpara se të ngrini njësinë me valë, prekni një material që shkarkon elektricitetin statik, si p.sh. një pjesë metalike të veglës.

**VINI RE:** Kur instaloni njësinë me valë, sigurohuni gjithmonë që njësia me valë të jetë e vendosur në drejtimin e duhur dhe kapaku të jetë i mbyllur plotësisht.

1. Hapni kapakun në vegël siç tregohet në figurë.

► Fig.56: 1. Kapaku

2. Vendosni njësinë me valë në folë dhe më pas mbyllni kapakun.

Kur vendosni njësinë me valë, bashkërenditni pjesët e dala me pjesët e futura në folë.

► Fig.57: 1. Njësia me valë 2. Pjesa e dalë 3. Kapaku 4. Pjesa e futur

Kur hiqni njësinë me valë, hapni ngadalë kapakun. Grepat në pjesën e pasme të kapakut do ta ngrenë njësinë me valë ndërsa ju tërhiqni lart kapakun.

► Fig.58: 1. Njësia me valë 2. Grep 3. Kapaku

Pasi ta hiqni njësinë me valë, vendoseni në kasën e dhënë ose në një enë pa elektricitet statik.

**VINI RE:** Përdorni gjithmonë grepat në pjesën e pasme të kapakut kur hiqni njësinë me valë. Nëse grepat nuk e kapin njësinë me valë, mbyllni plotësisht kapakun dhe hapeni sërish ngadalë.

### Regjistrimi i veglës për fshesën me korrent

**SHËNIM:** Për regjistrimin e veglës nevojitet fshesë me korrent "Makita" që mbështet funksionin e aktivizimit të lidhjes me valë.

**SHËNIM:** Përfundoni instalimin e njësisë me valë në vegël përpara se të nisni regjistrimin e veglës.

**SHËNIM:** Shmangni aktivizimin e çelësve të mëposhtëm gjatë regjistrimit të veglës:

- këmbëza e çelësit në vegël
- çelësi i fshesës në vegël
- çelësi i energjisë në fshesën me korrent

**SHËNIM:** Gjithashtu, referojuni manualit të përdorimit të fshesës me korrent.

Nëse dëshironi të aktivizoni fshesën me korrent bashkë me mekanizmin e funksionimit të veglës, kryeni paraprakisht regjistrimin e veglës.

1. Instaloni bateritë në fshesën me korrent dhe në vegël.

2. Vendoseni çelësin e pushimit në fshesën me korrent në "AUTO".

► **Fig.59:** 1. Çelësi i pushimit

3. Shtypni butonin e aktivizimit të lidhjes me valë në fshesën me korrent për 3 sekonda derisa llamba e aktivizimit të lidhjes me valë të pulsojë në të gjelbër. Më pas, në të njëjtën mënyrë shtypni butonin e aktivizimit të lidhjes me valë në vegël.

► **Fig.60:** 1. Butoni i aktivizimit të lidhjes me valë  
2. Llamba e aktivizimit të lidhjes me valë

Nëse fshesa me korrent dhe vegla lidhen me sukses, llamba e aktivizimit të lidhjes me valë do të ndizet në të gjelbër për 2 sekonda dhe më pas do të fillojë të pulsojë në blu.

**SHËNIM:** Llamba e aktivizimit të lidhjes me valë përfundon pulsimin në të gjelbër pasi kalojnë 20 sekonda. Shtypni butonin e aktivizimit të lidhjes me valë në vegël ndërkohë që llamba e aktivizimit të lidhjes me valë në fshesë është duke pulsuar. Nëse llamba e aktivizimit të lidhjes me valë nuk pulson në të gjelbër, shtypni shkurtimisht butonin e aktivizimit të lidhjes me valë dhe mbajeni sërish pa lëvizur.

**SHËNIM:** Kur kryeni dy ose më shumë regjistrime të veglës për një fshesë me korrent, përfundojni ato një nga një.

## Nisja e funksionit të aktivizimit të lidhjes me valë

**SHËNIM:** Përfundoni regjistrimin e veglës për fshesën me korrent përpara aktivizimit të lidhjes me valë.

**SHËNIM:** Gjithashtu, referojuni manualit të përdorimit të fshesës me korrent.

Pas regjistrimit të veglës në fshesën me korrent, kjo e fundit do të funksionojë automatikisht me mekanizmin e funksionimit të veglës. Tërhiqni këmbëzën e çelësit në vegël për të vënë në punë fshesën me korrent gjatë përdorimit. Fshesa me korrent gjithashtu fillon të funksionojë duke shtypur butonin e fshesës në vegël gjatë çdo përdorimi prerjeje.

► **Fig.61**

1. Instaloni njësinë me valë në vegël.

2. Lidhni tubin e fshesës me korrent me veglën.

► **Fig.62**

3. Vendoseni çelësin e pushimit në fshesën me korrent në "AUTO".

► **Fig.63:** 1. Çelësi i pushimit

4. Shtypni shkurtimisht butonin e aktivizimit të lidhjes me valë në vegël. Llamba e aktivizimit të lidhjes me valë do të pulsojë në blu.

► **Fig.64:** 1. Butoni i aktivizimit të lidhjes me valë  
2. Llamba e aktivizimit të lidhjes me valë

5. Tërhiqni këmbëzën e çelësit të veglës. Kontrolloni nëse fshesa me korrent funksionon me këmbëzën e çelësit të tërhequr.

6. Shtypni butonin e fshesës për të vënë në funksionim fshesën me korrent. Kontrolloni nëse llamba e aktivizimit të lidhjes me valë ndizet në ngjyrë blu dhe fshesa vazhdon të punojë derisa të shtypni përsëri butonin.

7. Për të ndaluar punën e fshesës, ose lironi këmbëzën e çelësit ose shtypni përsëri butonin e fshesës. Fshesa me korrent ndalon punën pak sekonda pas shtypjes së çelësit, dhe më pas llamba ndizet për të pulsuar në blu.

**SHËNIM:** Statusi i çelësit (ndeza/fikja e fshesës) mund të mësohet në llambën e aktivizimit të lidhjes me valë. Për detaje, referojuni paragrafit për shpjegimin e statusit të llambës së aktivizimit të lidhjes me valë.

8. Për të ndaluar aktivizimin e lidhjes me valë të fshesës me korrent, shtypni butonin e aktivizimit të lidhjes me valë në vegël.

**SHËNIM:** Llamba e aktivizimit të lidhjes me valë në vegël do të ndalojë pulsimin në blu kur nuk kryhet asnjë veprim për 2 orë. Në këtë rast, vendoseni çelësin e pushimit në fshesën me korrent në "AUTO" dhe shtypni sërish butonin e aktivizimit të lidhjes me valë në vegël.

**SHËNIM:** Fshesa me korrent ndizet/fiket me vonesë. Diktimi i mekanizmit të funksionimit të veglës nga fshesa me korrent kërkon pak kohë.



**SHËNIM:** Largësia e transmetimit të njësisë me valë mund të ndryshojë në varësi të vendndodhjes dhe kushteve të mjedisit përreth.

**SHËNIM:** Kur dy ose më shumë vegla regjistrohen në një fshesë me korrent, kjo e fundit mund të fillojë të punojë edhe nëse nuk keni tërhequr këmbëzën e çelësit ose nuk keni aktivizuar butonin e fshesës me korrent pasi një përdorues tjetër po përdor funksionin e aktivizimit të lidhjes me valë.

## Përshkrim i statusit të llambës së aktivizimit të lidhjes me valë

### ► Fig.65: 1. Llamba e aktivizimit të lidhjes me valë

Llamba e aktivizimit të lidhjes me valë tregon statusin e funksionit të aktivizimit të lidhjes me valë. Referojuni tabelës më poshtë për kuptimin e statusit të llambës.

Statusi	Llamba e aktivizimit të lidhjes me valë			Kohëzgjatja	Përshkrimi
	Ngjyra	 Ndezur	 Duke pulsuar		
Pushim	Blu	<input checked="" type="checkbox"/>		2 orë	Aktivizimi i lidhjes me valë i fshesës me korrent është i disponueshëm. Llamba do të fiket automatikisht nëse nuk kryhet asnjë veprim për 2 orë.
		<input type="checkbox"/>		Kur vegla është duke punuar.	Aktivizimi i lidhjes me valë i fshesës me korrent është i disponueshëm dhe vegla është duke punuar.
Regjistrimi i veglës	E gjelbër	<input checked="" type="checkbox"/>		20 sekonda	Gati për regjistrimin e veglës. Në pritje të regjistrimit nga fshesa me korrent.
		<input type="checkbox"/>		2 sekonda	Regjistrimi i veglës ka përfunduar. Llamba e aktivizimit të lidhjes me valë do të fillojë të pulsojë në blu.
Anulimi i regjistrimit të veglës	E kuqe	<input checked="" type="checkbox"/>		20 sekonda	Gati për anulimin e regjistrimit të veglës. Në pritje të anulimit nga fshesa me korrent.
		<input type="checkbox"/>		2 sekonda	Anulimi i regjistrimit të veglës ka përfunduar. Llamba e aktivizimit të lidhjes me valë do të fillojë të pulsojë në blu.
Tjetër	E kuqe	<input type="checkbox"/>		3 sekonda	Njësia me valë po furnizohet me energji dhe funksioni i aktivizimit të lidhjes me valë po fillon.
	Fikur	-		-	Aktivizimi i lidhjes me valë i fshesës me korrent ka ndaluar.

## Anulimi i regjistrimit të veglës për fshesën me korrent

Kryeni procedurën e mëposhtme për anulimin e regjistrimit të veglës për fshesën me korrent.

1. Instaloni bateritë në fshesën me korrent dhe në vegël.
2. Vendoseni çelësin e pushimit në fshesën me korrent në "AUTO".

### ► Fig.66: 1. Çelësi i pushimit

3. Shtypni butonin e aktivizimit të lidhjes me valë në fshesën me korrent për 6 sekonda. Llamba e aktivizimit të lidhjes me valë pulson në të gjelbër dhe më pas bëhet e kuqe. Pas kësaj, në të njëjtën mënyrë shtypni butonin e aktivizimit të lidhjes me valë në vegël.

### ► Fig.67: 1. Butoni i aktivizimit të lidhjes me valë

2. Llamba e aktivizimit të lidhjes me valë

Nëse anulimi kryhet me sukses, llamba e aktivizimit të lidhjes me valë do të ndizet në të kuqe për 2 sekonda dhe më pas do të fillojë të pulsojë në blu.

**SHËNIM:** Llamba e aktivizimit të lidhjes me valë përfundon pulsimin në të kuqe pasi kalojnë 20 sekonda. Shtypni butonin e aktivizimit të lidhjes me valë në vegël ndërkohë që llamba e aktivizimit të lidhjes me valë në fshesë është duke pulsuar. Nëse llamba e aktivizimit të lidhjes me valë nuk pulson në të kuqe, shtypni shkurtimisht butonin e aktivizimit të lidhjes me valë dhe mbajeni sërish pa lëvizur.



## Zgjidhja e problemeve për funksionin e aktivizimit të lidhjes me valë

Përpara se të kërkoni riparime bëni inspektimet tuaja. Nëse zbuloni ndonjë problem që nuk shpjegohet në manual, mos u mundtoni të çmontoni veglën. Por për riparime drejtojuni Qendrave të Autorizuara të Shërbimit Makita, duke përdorur gjithmonë pjesë zëvendësuese Makita.

Gjendja anormale	Shkaku i mundshëm (keqfunksionimi)	Zgjidhja
Llamba e aktivizimit të lidhjes me valë nuk ndizet/pulson.	Njësia me valë nuk është instaluar në vegël. Njësia me valë nuk është instaluar saktë në vegël.	Instaloni siç duhet njësinë me valë.
	Terminali i njësisë me valë dhe/ose foleja është ndotur.	Fshini lehtë pluhurin dhe papastërtitë në terminalin e njësisë me valë dhe pastroni folenë.
	Butoni i aktivizimit të lidhjes me valë në vegël nuk është shtypur.	Shtypni shkurtimisht butonin e aktivizimit të lidhjes me valë në vegël.
	Çelësi i pushimit në fshesën me korrent nuk është vendosur në "AUTO".	Vendoseni çelësin e pushimit në fshesën me korrent në "AUTO".
	Nuk ka furnizim me energji	Furnizoni me energji veglën dhe fshesën me korrent.
Regjistrimi i veglës / anulimi i regjistrimit të veglës nuk kryhet me sukses.	Njësia me valë nuk është instaluar në vegël. Njësia me valë nuk është instaluar saktë në vegël.	Instaloni siç duhet njësinë me valë.
	Terminali i njësisë me valë dhe/ose foleja është ndotur.	Fshini lehtë pluhurin dhe papastërtitë në terminalin e njësisë me valë dhe pastroni folenë.
	Çelësi i pushimit në fshesën me korrent nuk është vendosur në "AUTO".	Vendoseni çelësin e pushimit në fshesën me korrent në "AUTO".
	Nuk ka furnizim me energji	Furnizoni me energji veglën dhe fshesën me korrent.
	Përdorim i pasaktë	Shtypni shkurtimisht butonin e aktivizimit të lidhjes me valë dhe kryeni sërish procedurat e regjistrimit/ anulimit të regjistrimit të veglës.
	Vegla dhe fshesa me korrent janë larg njëra-tjetrës (jashtë rrezes së transmetimit).	Sillni veglën dhe fshesën me korrent më pranë njëra-tjetrës. Largësia maksimale e transmetimit është afërsisht 10 m, megjithatë mund të ndryshojë në varësi të rrethanave.
	Përpara kryerjes së regjistrimit/anulimit të regjistrimit të veglës; - këmbëza e çelësit në vegël është e tërhequr ose; - butoni i fshesës në vegël është aktivizuar ose; - butoni i energjisë në fshesën me korrent është aktivizuar.	Shtypni shkurtimisht butonin e aktivizimit të lidhjes me valë dhe kryeni sërish procedurat e regjistrimit/ anulimit të regjistrimit të veglës.
	Procedurat e regjistrimit të veglës për veglën apo fshesën me korrent nuk kanë përfunduar.	Kryeni njëkohësisht procedurat e regjistrimit të veglës, si për veglën edhe për fshesën me korrent.
Çrregullimet e radiofrekuencave nga pajisjet e tjera që gjenerojë radiovalë me intensitet të lartë.	Mbani veglën dhe fshesën me korrent larg nga pajisje të tilla si pajisje me "Wi-Fi" dhe furra me mikrovalë.	
Fshesa me korrent nuk funksionon bashkë me mekanizmin e funksionimit të veglës.	Njësia me valë nuk është instaluar në vegël. Njësia me valë nuk është instaluar saktë në vegël.	Instaloni siç duhet njësinë me valë.
	Terminali i njësisë me valë dhe/ose foleja është ndotur.	Fshini lehtë pluhurin dhe papastërtitë në terminalin e njësisë me valë dhe pastroni folenë.
	Butoni i aktivizimit të lidhjes me valë në vegël nuk është shtypur.	Shtypni shkurtimisht butonin e aktivizimit të lidhjes me valë dhe sigurohuni që llamba e aktivizimit të lidhjes me valë po pulson në blu.
	Çelësi i pushimit në fshesën me korrent nuk është vendosur në "AUTO".	Vendoseni çelësin e pushimit në fshesën me korrent në "AUTO".
	Janë regjistruar mbi 10 vegla në fshesën me korrent.	Kryeni sërish regjistrimin e veglës. Nëse janë regjistruar mbi 10 vegla në fshesën me korrent, vegla që është regjistruar më herët do të fshihet automatikisht.
	Fshesa me korrent ka dështuar në regjistrimin e suksesshëm të veglës.	Rinovoni regjistrimin e veglës.
	Fshesa me korrent ka fshirë të gjitha regjistrimet e veglave.	Kryeni sërish regjistrimin e veglës.
	Nuk ka furnizim me energji	Furnizoni me energji veglën dhe fshesën me korrent.
	Vegla dhe fshesa me korrent janë larg njëra-tjetrës (jashtë rrezes së transmetimit).	Sillni veglën dhe fshesën me korrent më pranë njëra-tjetrës. Largësia maksimale e transmetimit është afërsisht 10 m, megjithatë mund të ndryshojë në varësi të rrethanave.
	Çrregullimet e radiofrekuencave nga pajisjet e tjera që gjenerojë radiovalë me intensitet të lartë.	Mbani veglën dhe fshesën me korrent larg nga pajisje të tilla si pajisje me "Wi-Fi" dhe furra me mikrovalë.

Gjendja anormale	Shkaku i mundshëm (keqfunksionimi)	Zgjidhja
Fshesa me korrent është në përdorim ndërkohë që nuk ka në punë çelësa për veglën.	Përdorues të tjerë po përdorin funksionin e aktivizimit të lidhjes me valë të fshesës me korrent me veglat e tyre.	Çaktivizoni butonin e aktivizimit të lidhjes me valë të veglave të tjera ose anuloni regjistrimin e veglave të tjera.

## MIRËMBAJTJA

**▲ PARALAJMËRIM:** Sigurohuni gjithmonë që vegla të jetë fikur dhe që kutia e baterisë të jetë hequr përpara se të kryeni inspektim apo mirëmbajtje. Nëse vegla nuk fiket dhe nuk hiqet kutia e baterisë, ndezja aksidentale e veglës mund të shkaktojë lëndim të rëndë personal.

**▲ PARALAJMËRIM:** Sigurohuni gjithmonë që fleta e sharrës së rumbullakët të jetë e mprehtë dhe e pastër për një punë sa më të mirë dhe të sigurt. Përpjekja për të prerë me fletë jo të mprehtë dhe/ose të papastër mund të shkaktojë zmbarsje dhe të rezultojë në lëndim të rëndë personal.

**VINI RE:** Mos përdorni kurrë benzinë, benzinë pastrimi, hollues, alkool dhe të ngjashme. Mund të shkaktoni çngjyrosje, deformime ose krisje.

Për të ruajtur SIGURINË dhe QËNDRUESHMËRINË, riparimet dhe çdo mirëmbajtje apo rregullim tjetër duhen kryer nga qendrat e autorizuar të shërbimit ose të shërbimit të fabrikës të Makita-s, duke përdorur gjithnjë pjesë këmbimi të Makita-s.

## Rregullimi i këndit të prerjes

Vegla është rregulluar dhe pjesët janë bashkërenditur me kujdes në fabrikë, por përdorimi i pakujdesshëm mund të dëmtojë bashkërenditjen e pjesëve. Nëse pjesët e veglës nuk janë bashkërenditur siç duhet, veproni si më poshtë:

### Këndi i prerjes me kënd

Rrotullojeni mbajtësen në drejtim të kundërt të akrepave të orës dhe mbajeni bazën gati për funksionin e ndalimit pozitiv duke përdorur levën e lirimit. Më pas, lironi vidat që sigurojnë treguesin dhe shkallën e këndit të prerjes me kënd.

► **Fig.68:** 1. Mbajtësja 2. Leva e lirimit 3. Vida në tregues 4. Vidat në shkallën e këndit të prerjes me kënd 5. Shkalla e këndit të prerjes me kënd

Vendoseni bazën e rrotullimit në pozicionin 0° duke përdorur funksionin e ndalimit pozitiv. Formoni këndin e drejtë midis fletës sharrës së rumbullakët dhe pjesës së përparme të rigës udhëzuese duke përdorur një vizore trekëndore ose skuadër. Ndërsa mbani skuadrën, shtrëngoni vidat në shkallën e këndit të prerjes me kënd. Pas saj, bashkërenditni treguesin me pozicionin 0° në shkallën e këndit të prerjes me kënd dhe më pas shtrëngoni vidën në tregues.

► **Fig.69:** 1. Vizorja trekëndore 2. Treguesi

## Këndi i prerjes së pjerrët

### Këndi i prerjes së pjerrët 0°

Shtyni shasinë drejt rigave udhëzuese dhe bllokoni lëvizjen rrethqitëse me kunjën ndalues. Uleni shasinë plotësisht dhe bllokoni në pozicionin e ulur me anë të kunjit të bllokuesit. Rrotulloni diskun e mbajtëses në drejtim të akrepave të orës dhe më pas rrotulloni bulonin rregullues 0° me dy ose tre rrotullime në drejtim të kundërt të akrepave të orës për të anuar fletën e sharrës së rumbullakët në të djathtë.

► **Fig.70:** 1. Disku i mbajtëses 2. Buloni rregullues 0° 3. Vida në tregues

Me kujdes puthitni anën e fletës së sharrës së rumbullakët me sipërfaqen e sipërme të bazës së rrotullimit me anë të një vizoreje trekëndore, skuadër, etj., duke rrotulluar bulonin rregullues 0° në drejtim të akrepave të orës. Më pas shtrëngoni diskun e mbajtëses fort për të siguruar këndin 0° që keni vendosur.

► **Fig.71:** 1. Vizorja trekëndore 2. Fleta e sharrës 3. Sipërfaqja e sipërme e bazës së rrotullueshme

Kontrolloni nëse ana e fletës së sharrës së rumbullakët formon kënd të drejtë sërish me sipërfaqen e sipërme të bazës së rrotullimit. Lironi vidën në tregues dhe më pas bashkërenditni treguesin me pozicionin 0° në shkallën e këndit të prerjes së pjerrët dhe më pas shtrëngoni vidën.

### Këndi i prerjes së pjerrët 45°

**VINI RE:** Përpara se të rregulloni këndin e prerjes së pjerrët 45°, përfundoni rregullimin e këndit të prerjes së pjerrët 0°.

Lironi diskun e mbajtëses dhe anoni plotësisht shasinë në anën që dëshironi të kontrolloni. Kontrolloni nëse treguesi tregon pozicionin 45° në shkallën e këndit të prerjes së pjerrët.

► **Fig.72:** 1. Disku i mbajtëses

Nëse treguesi nuk tregon pozicionin 45°, bashkërenditni atë me pozicionin 45° duke rrotulluar bulonin rregullues 45°.

► **Fig.73:** 1. Buloni rregullues djathtas 45° 2. Buloni rregullues majtas 45°

## Pastrimi i lentes së llambës

**VINI RE:** Mos e hiqni vidën që siguron lentin. Nëse lentja nuk del, lironi vidën më tej.

**VINI RE:** Përdorni një leckë të thatë për të fshirë papastërtitë nga lentja e llambës. Bëni kujdes të mos gërvishetni lentin e llambës, në të kundërt ajo do të ulë ndriçimin.

**VINI RE:** Mos përdorni tretës ose pastrues me bazë naftë në lente.

Drita LED bëhet e vështirë për t'u parë ndërsa lentja për dritën ndotet. Pastroni lentin në intervale të rregullta. Hiqni kutinë e baterisë. Lironi vidën dhe nxirrni lentin. Pastroni lentin me delikatesë me një leckë të njomë dhe të butë.

► **Fig.74:** 1. Vida 2. Lentja

## Pas përdorimit

Pas përdorimit pastroni ashklat dhe pluhurin që ka hyrë në vegël me një copë ose diçka të ngjashme. Mbajeni mbrojtësen e fletës të pastër sipas udhëzimeve në paragrafin e trajtuar më sipër të për mbrojtësen e fletës. Pjesët rrëshqitëse lubrifikojini me vaj makinerie për të parandaluar ndryshkun.

## AKSESORË OPSIONALË

**⚠ PARALAJMËRIM:** Këta aksesorë ose shtojca Makita rekomandohen për përdorim me veglën Makita të specifikuar në manual. Përdorimi i aksesorëve ose shtojcave të tjera mund të shkaktojë lëndim të rëndë personal.

**⚠ PARALAJMËRIM:** Përdorini aksesorët ose shtojcat Makita vetëm për qëllimin e tyre të synuar. Keqpërdorimi i aksesorëve ose i shtojcave mund të shkaktojë lëndim të rëndë personal.

Nëse keni nevojë për më shumë të dhëna në lidhje me aksesorët, pyesni qendrën vendore të shërbimit të Makita-s.

- Disku i sharrës me majë karbiti
- Morsa vertikale
- Morsa horizontale
- Qese e pluhurit
- Vizorja trekëndore
- Çelësi heksagonal
- Njësia me valë
- Setet mbështetëse
- Bateri dhe ngarkues origjinal Makita

**SHËNIM:** Disa artikuj të listës mund të përfshihen në paketën e veglës si aksesorë standardë. Ato mund të ndryshojnë nga njëri shtet në tjetrin.

## СПЕЦИФИКАЦИИ

Модел:	LS002G
Диаметър на диска	216 мм
Диаметър на отвора (вала) (зависи от страната)	15,88 мм / 25,4 мм / 30 мм
Максимален размер на прореза на циркулярния диск	2,4 мм
Макс. ъгъл на рязане	Ляво 60°, Дясно 60°
Макс. ъгъл на скосяване	Ляво 48°, Дясно 48°
Скорост без товар	4 800 мин <sup>-1</sup>
Размери (Д x Ш x В)	702 мм x 551 мм x 557 мм
Номинално напрежение	Постоянно напрежение 36 V – 40 V макс.
Нето тегло	16,4 – 17,0 кг

- Поради нашата непрекъсната научно-развойна дейност посочените тук спецификации могат да бъдат променени без предизвестие.
- Спецификациите може да са различни в различните държави.
- Теглото може да се различава в зависимост от принадлежността(ите), включително акумулаторната батерия. Най-леката и най-тежката комбинация в съответствие с процедурата на ЕРТА 01/2014 са показани в таблицата.

### Приложима акумулаторна батерия и зарядно устройство

Акумулаторна батерия	BL4025 / BL4040
Зарядно устройство	DC40RA

- Някои от акумулаторните батерии и зарядните устройства, посочени по-горе, може да не са налични в зависимост от региона на местоживеене.

**▲ ПРЕДУПРЕЖДЕНИЕ:** Използвайте само посочените по-горе акумулаторни батерии и зарядни устройства. Използването на други акумулаторни батерии и зарядни устройства може да причини нараняване и/или пожар.

### Възможности за рязане (В x Ш) с диск с диаметър 216 мм

Ъгъл на рязане	Ъгъл на скосяване		
	45° (ляво)	0°	45° (дясно)
0°	50 мм x 312 мм	70 мм x 312 мм	30 мм x 312 мм
45° (ляво и дясно)	50 мм x 220 мм	70 мм x 220 мм	30 мм x 220 мм
60° (ляво и дясно)	–	70 мм x 155 мм	–

## СИМВОЛИ

По-долу са описани символите, които може да се използват за тази машина. Задължително е да се запознаете с техните значения, преди да пристъпите към работа.



Прочетете ръководството за експлоатация.



След като направите срез, дръжте главата на инструмента надолу, докато режещият диск спре напълно, за да избегнете нараняване от летящи парчета.



Когато извършвате срез с плъзгане, първо издърпайте докрай носача и натиснете дръжката, след което избухайте носача напред към водещия ограничител.



Когато извършвате рязане под наклон, първо разхлабете регулатора на дръжката и наклонете носача до желания ъгъл, и след това затегнете регулатора на дръжката.



Когато наклоняте режещия диск извън диапазона 0°–45°, завъртете освобождаващия лост за ъгъл на наклон 48° по посока на часовниковата стрелка.



Не поставяйте ръката или пръстите си близо до режещия диск.



Носете предпазни очила.



Не гледайте към работеща лампа.



Само за страни от ЕС  
Не изхвърляйте електрооборудване или акумулаторни батерии с битовите отпадъци!  
При спазване на Европейската директива относно отпадъците от електрическо и електронно оборудване и директивата относно батерии и акумулатори и отпадъци от батерии и акумулатори и приложението им съгласно националното законодателство, бракуваното електрическо оборудване и батерии и пакет(и) батерии трябва да се събират отделно и да се връщат в места за рециклиране, съобразени с изискванията за опазване на околната среда.

## Предназначение

Инструментът е предназначен за точно рязане на дърво в права линия или под ъгъл.  
Не използвайте циркуляра за рязане на нещо друго освен дърво, алуминий или подобни материали.

## Шум

Обичайното ниво на шума с тегловен коефициент А, определено съгласно EN62841-3-9:  
Ниво на звуково налягане ( $L_{pA}$ ): 89 dB(A)  
Ниво на звукова мощност ( $L_{WA}$ ): 100 dB(A)  
Коефициент на неопределеност (K): 3 dB(A)

**ЗАБЕЛЕЖКА:** Обявената(ите) стойност(и) на шумовите емисии е(са) измерена(и) в съответствие със стандартни методи за изпитване и може да се използва(т) за сравняване на инструменти.

**ЗАБЕЛЕЖКА:** Обявеното(ите) стойност(и) на шумови емисии може да се използва(т) също и за предварителна оценка на вредното въздействие.

**⚠ ПРЕДУПРЕЖДЕНИЕ:** Използвайте предпазни средства за слуха.

**⚠ ПРЕДУПРЕЖДЕНИЕ:** Нивото на шума при работа с електрически инструмент може да се различава от обявената(ите) стойност(и) в зависимост от начина на използване на инструмента, по-специално какъв детайл се обработва.

**⚠ ПРЕДУПРЕЖДЕНИЕ:** Задължително определете предпазни мерки за защита на оператора въз основа на оценка на риска в реални работни условия (като се вземат предвид всички етапи на работния цикъл, като например момента на изключване на инструмента, работата на празен ход, както и времето на задействане).

## ЕО декларация за съответствие

### Само за европейските страни

ЕО декларацията за съответствие е включена като Анекс А към тази инструкция за употреба.

# ПРЕДУПРЕЖДЕНИЯ ЗА БЕЗОПАСНОСТ

## Общи предупреждения за безопасност при работа с електрически инструменти

**⚠ ПРЕДУПРЕЖДЕНИЕ:** Прочетете всички предупреждения, инструкции, илюстрации и спецификации за безопасността, предоставени с този електрически инструмент. При неспазване на изброените по-долу инструкции има опасност от токов удар, пожар и/или тежко нараняване.

## Запазете всички предупреждения и инструкции за справка в бъдеще.

Терминът "електрически инструмент" в предупрежденията се отнася за вашия инструмент (с кабел за включване в мрежата) или работещ на батерии (безжичен) електрически инструмент.

## Инструкции за безопасност за циркуляри за рязане под ъгъл

1. **Циркулярите за рязане под ъгъл са предназначени за рязане на дърво или дървообразни продукти, същите не могат да се използват с абразивни дискове за рязане на черни метали като ленти, пръти, шпилки и др. Абразивният прах предизвиква заклиняване на движещите се части като долния предпазител. Искрите от абразивното рязане ще изгорят долния предпазител, вложката за надрез и други пластмасови части.**
2. **Винаги, когато е възможно, използвайте скоби за закрепване на обработвания детайл. Ако държите обработвания детайл с ръка, трябва да държите ръката си най-малко на 100 мм от двете страни на циркулярния диск. Не използвайте този циркуляр за рязане на детайли, които са прекалено малки, за да бъдат здраво закрепени със скоби или държани с ръка. Ако ръката Ви се намира прекалено близо до циркулярния диск, има увеличена опасност от нараняване при допиране в режещия диск.**
3. **Обработваният детайл трябва да бъде неподвижен и закрепен със скоби или да се държи към водача и към масата. В никакъв случай не подавайте обработвания детайл към режещия диск и не режете "от ръка". Нефиксираните или движещи се обработвани детайли могат да бъдат изхвърлени с висока скорост и да причинят нараняване.**
4. **Натиснете циркуляра през обработвания детайл. Не дърпайте циркуляра през обработвания детайл. За да направите разрез, повдигнете главата на циркуляра и го издърпайте над обработвания детайл, без да режете, включете двигателя, натиснете**

- главата на циркуляра надолу и след това натиснете циркуляра през обработвания детайл. Рязането чрез издърпващо движение може да накара циркулярния диск да се повдигне към горната част на обработвания детайл и рязко да изхвърли модула на режещия диск към оператора.
5. **Никога не поставяйте ръката си върху предполагаемата линия на рязане, независимо дали е отпред или отзад на циркулярния диск.** Поддържането на детайла "с кръстосване на ръцете", т.е. хващането на обработвания детайл отдясно на циркулярния диск с лявата ръка или обратното, е много опасно.
- **Фиг.1**
6. **Не посягайте зад водача с която и да е ръка, по-близо от 100 мм от двете страни на циркулярния диск, за да махате остатъци от дърво или по някаква друга причина, докато дискът се върти.** Можете да не забележите близостта на циркулярния диск до ръката Ви и да се нараните тежко.
  7. **Проверявайте обработвания детайл, преди да започнете рязането.** Ако обработваният детайл е изкривен или деформиран, фиксирайте го с външната изкривена повърхност водача. Винаги внимавайте да няма междина между обработвания детайл, водача и масата по линията на рязане. Изкривените и деформирани обработвани детайли, могат да се усучат или да се изместят и да предизвикат задиране за въртящия се циркулярен диск при рязането. По детайла не трябва да има пирони или чужди предмети.
  8. **Не използвайте циркуляра, докато масата не бъде изчистена от всички инструменти, дървени остатъци и др., с изключение на обработвания детайл.** Малки остатъци или разпилени парчета дърво или други предмети, които влязат в контакт с въртящия се диск, могат да бъдат изхвърлени с висока скорост.
  9. **Режете само по един детайл едновременно.** Много обработвани детайли един върху друг не могат да се закрепят или затегнат добре и могат да задерат в режещия диск или да се изместят по време на рязане.
  10. **Преди употреба се погрижете циркулярът за рязане под ъгъл да бъде монтиран или разположен върху хоризонтална, твърда работна повърхност.** Хоризонталната и твърда работна повърхност намалява опасността загуба на стабилност на циркуляра за рязане под ъгъл.
  11. **Планирайте работата си. Всеки път, когато промените настройката на наклона или ъгъла на насочване на циркуляра, се старайте да установите регулируемия водач, по такъв начин че да поддържа обработвания детайл и да не пречи на режещия диск или предпазната система.** Без да включвате инструмента и без обработван детайл върху масата, преместете циркулярния диск по цялата траектория на рязането, за да се уверите, че няма пречки или опасност от отрязване на ограничителя.
  12. **Осигурете адекватни опори, например удължител на масата, магарета и др. за обработван детайл, който е по-широк или по-дълъг от плата на масата.** Обработвани детайли, които са по-дълги или по-широки от масата на циркуляра за рязане под ъгъл, могат да се преобърнат, ако не са закрепени здраво. Ако се преобърнат, отрязаното парче или обработваният детайл могат да повдигнат долния предпазител или да бъдат изхвърлени от въртящия се диск.
  13. **Не използвайте помощта на друг човек като заместител на удължител на масата или като допълнителна опора.** Нестабилна опора за обработвания детайл може да предизвика задиране на режещия диск или изместване на обработвания детайл по време на рязането, което да тласне Вас или помощника Ви към въртящия се диск.
  14. **Отрязаното парче не трябва да засяда или да се притиска срещу въртящия се циркулярен диск.** Ако бъде ограничено в движението си, напр. чрез ограничител на дължината, отрязаното парче може да заклини срещу режещия диск и да бъде изхвърлено със сила.
  15. **Винаги използвайте скоба или приспособление, конструирано за правилно закрепване на кръгъл материал, например пръти или тръби.** По време на рязането прътите проявяват тенденция към търкаляне, карайки режещия диск да "захапне" и да издърпа обработвания детайл, заедно с ръката Ви към режещия диск.
  16. **Оставете режещия диск да достигне максималната си скорост, преди да го опрете в обработвания детайл.** Това ще намали опасността от изхвърляне на обработвания детайл.
  17. **Ако обработваният детайл или дискът заклинят, изключете циркуляра за рязане под ъгъл.** Изчакайте спирането на всички движещи се части и извадете щепсела от захранващия източник, и/или махнете акумулаторната батерия. След това се погрижете за освобождаването на заклинилия материал. Ако се продължи рязането със заклинил обработван детайл, тогава може да се загуби контрол или да се повреди циркулярът за рязане под ъгъл.
  18. **След като завършите рязането, отпуснете ключа, задръжте главата на циркуляра надолу и изчакайте режещия диск да спре, преди да махнете отрязаното парче.** Посягането с ръка към спиращия диск е опасно.
  19. **Дръжте ръкохватката здраво, когато правите непълно отрязване или когато отпуснете ключа, преди главата на циркуляра да е достигнала докрай долно положение.** Спирачното действие на циркуляра може да доведе до внезапно дръпване на главата на циркуляра надолу, което носи риск от нараняване.

20. Използвайте само циркулярен диск с диаметър, който е маркиран върху инструмента или е специфициран в наръчника. Използване на диск с неправилни размери може да повлияе на правилното предпазване на диска или действието на предпазителя, което може да причини сериозно нараняване.
21. Използвайте само циркулярните дискове, които са с обозначение за обороти, равно или превишаващо оборотите, маркирани върху инструмента.
22. Не използвайте циркуляра за рязане на нещо друго освен дърво, алуминий или подобни материали.
23. (Само за европейските страни)  
Винаги използвайте диска, който съответства на EN847-1.
10. Когато осъществявате рязане с плъзгане, може да се получи ОТКАТ. ОТКАТ се получава, когато дискът задере в обработвания детайл при рязане и циркулярният диск се тласне бързо назад към оператора. Може да се получи загуба на контрол и тежко нараняване. Ако по време на рязане дискът започне да задира, не продължавайте да режете и веднага отпуснете ключа.

#### Допълнителни инструкции

1. Обезопасявайте с катинари работилницата, за да няма достъп на деца.
2. Никога не стъпвайте върху инструмента. Може да се получи тежко нараняване, ако инструментът се преобърне или ако опрете непреднамерено в режещия инструмент.
3. Никога не оставяйте работещ инструмент без надзор. Изключвайте захранването. Не оставяйте инструмента, докато ножът не спре напълно.
4. Не работете с циркуляра без поставени предпазители. Преди всяка употреба проверете правилното затваряне на предпазителя на режещия диск. Не работете със циркуляра, ако предпазителят на режещия диск не се движи свободно и не се затваря веднага. Никога не затягайте и не завързвайте предпазителя на режещия диск в отворено положение.
5. Пазете ръцете си далеч от циркулярния диск. Избягвайте контакт с все още въртящия се диск. Той също може да причини тежко нараняване.
6. За да намалите опасността от нараняване, връщайте носача докрай в задно положение след всяка операция по напречно рязане.
7. Винаги закрепвайте всички подвижни части, преди да пренасяте инструмента.
8. Застопоряващият щифт или фиксиращото лостче, които заключават главата на циркуляра надолу само при пренасяне и съхранение, но не и за операции, свързани с рязане.
9. Преди работа проверявайте внимателно диска за пукнатини или повреди. Веднага сменяйте напуканите или повредени дискове. Смолите и дървесните катрани, които са втвърдени върху дисковете, забавят циркуляра и увеличават вероятността от получаване на откат. Поддържайте дисковете чисти, като първо ги сваляйте от инструмента, а след това ги почиствайте със средства за премахване на смоли и катрани, с гореща вода или с керосин. Никога не използвайте бензин за почистване на режещия диск.
11. Използвайте само фланци, предназначени за този инструмент.
12. Внимавайте да не повредите вала, фланеца (особено монтажната повърхност) или болта. Повреждането на тези части може да доведе до счупване на режещия диск.
13. Уверете се, че въртящата се основа е правилно закрепена, така че да е неподвижна по време на работа. Използвайте отворите в основата за закрепване на циркуляра към стабилна работна платформа или теглях. НИКОГА не използвайте инструмента в ситуации, при които позата на оператора би била неудобна.
14. Преди да включите инструмента, проверете дали палецът за блокиране на вала е активиран.
15. Уверете се, че когато е в най-ниско положение, режещият диск не влиза в контакт с въртящата се основа.
16. Хванете ръкохватката здраво. Очаквайте по време на стартиране и спиране циркулярът леко да се повдигне или спусне.
17. Преди да включите инструмента, се уверете, че ножът не се допира до детайла.
18. Преди да пристъпите към обработка на детайл, оставете инструмента да поработи известно време. Следете за вибрации или биене встрани, което може да означава, че режещият диск е неправилно монтиран или не е балансиран.
19. Незабавно прекратете работа, ако забележите нещо необичайно.
20. Не се опитвайте да блокирате пусковия прекъсвач в позиция "ВКЛ."
21. Винаги използвайте аксесоари, препоръчани в настоящото ръководство. Използването на неподходящи аксесоари, напр. абразивни шайби за рязане, може да доведе до нараняване.
22. Някои материали съдържат химикали, които може да са токсични. Погрижете се да не допуснете вдихване на прах и контакт с кожата. Следвайте информацията на достатъчна за безопасната работа с материала.
23. Не използвайте захранване с кабел с този инструмент.

#### Допълнителни правила за безопасна работа с лампата

1. Не гледайте директно в светлинния източник.

## ЗАПАЗЕТЕ НАСТОЯЩИТЕ ИНСТРУКЦИИ.

**▲ ПРЕДУПРЕЖДЕНИЕ:** НЕ позволявайте комфорта от познаването на продукта (придобит при дългата му употреба) да замени стриктното спазване на правилата за безопасност за въпросния продукт. **НЕПРАВИЛНАТА УПОТРЕБА** и неспазването на правилата за безопасност, посочени в настоящото ръководство за експлоатация, могат да доведат до тежки наранявания.

## Важни инструкции за безопасност за акумулаторната батерия

1. Преди да използвате акумулаторната батерия, прочетете всички инструкции и предупредителни маркировки на (1) зарядното устройство за батериите, (2) за батериите и (3) за използващия батериите продукт.
2. Не разглобявайте и не променяйте акумулаторната батерия. Това може да предизвика пожар, прегряване или взрив.
3. Ако мощността на машината намалее много, веднага спрете да работите. Това може да доведе до риск от прегряване, до възможни изгаряния и даже до експлозии.
4. Ако в очите ви попадне електролит, изплакнете ги с чиста вода и веднага потърсете лекарска помощ. Това може да доведе до загуба на зрението ви.
5. Не давайте на късо акумулаторните батерии:
  - (1) Не докосвайте клемите с проводими материали.
  - (2) Избягвайте съхраняването на акумулаторните батерии в контейнер с други метални предмети като пирони, монети и други подобни.
  - (3) Не излагайте акумулаторните батерии на вода или дъжд.Закъсяването на акумулаторна батерия може да доведе до протичане на много силен ток, до прегряване, до възможни изгаряния и даже до разпадане на батерията.
6. Не съхранявайте и не използвайте инструмент и акумулаторните батерии на места, където температурата може да достигне или надмине 50 °C (122 °F).
7. Не изгаряйте акумулаторните батерии даже и ако те са сериозно повредени или напълно износени. Акумулаторната батерия може да експлодира в огън.
8. Не забивайте пирони, не режете, не смачкавайте, не хвърляйте, не изпускайте и не удяряйте в твърд предмет акумулаторната батерия. Това поведение може да предизвика пожар, прегряване или взрив.
9. Не използвайте повредени акумулаторни батерии.

10. Съдържащите се литиево-йонни акумулаторни батерии са обект на изискванията на законодателството за опасни стоки. При търговски превози, напр. от трети страни, следитори, трябва да се спазват специални изисквания за опаковане и етикетирание. За подготовка на артикула, който трябва да бъде изпратен, е необходима консултация с експерт по опасните материали. Моля, спазвайте и евентуално по-подробните национални разпоредби.  
Залепете с лента или покрийте откритите контакти и опаковайте акумулаторната батерия по такъв начин, че да не може да се премества в опаковката.
11. При изхвърляне на акумулаторната батерия я извадете от инструмента и я изхвърлете на подходящо място. Спазвайте местните разпоредби за изхвърляне на акумулаторни батерии.
12. Използвайте батериите само с продуктите, определени от Makita. Поставянето на батериите към неодобрен продукт може да предизвика пожар, прегряване, взрив или изтичане на електролит.
13. Ако инструментът няма да се използва продължително време, батерията трябва да се извади от него.
14. По време на и след употреба акумулаторната батерия може да поеме топлина, която може да причини изгаряния или нискотемпературни изгаряния. Внимавайте, когато боравите с горещите акумулаторни батерии.
15. Не докосвайте клемата на инструмента веднага след употреба, тъй като е възможно да е достатъчно нагрята, за да предизвика изгаряния.
16. Не позволявайте стружки, прах или почва да полепват по клемите, отворите и каналите на акумулаторната батерия. Това може да доведе до лоши работни характеристики или повреда на инструмента или акумулаторната батерия.
17. Освен ако инструментът поддържа използването в близост до високоволтови електропроводи, не използвайте акумулаторната батерия близо до високоволтови електропроводи. Това може да доведе до неизправност или повреда на инструмента или акумулаторната батерия.
18. Пазете батерията от деца.

## ЗАПАЗЕТЕ НАСТОЯЩИТЕ ИНСТРУКЦИИ.

**▲ ВНИМАНИЕ:** Използвайте само оригинални акумулаторни батерии на Makita. При използване на различни от акумулаторните батерии на Makita или стари акумулаторни батерии може да се получи пръскане на акумулаторната батерия, което да доведе до пожар, нараняване или повреда. Това също ще анулира гаранцията на Makita за инструмента и зарядното устройство Makita.



## Съвети за поддържане на максимално дълъг живот на акумулаторните батерии

1. Зареждайте акумулаторните батерии, преди те да са се разреждали напълно. Когато забележите, че мощността на инструмента намалява, винаги спирайте работата с инструмента и заредете акумулаторната батерия.
2. Никога не презареждайте напълно заредена акумулаторна батерия. Презарядът скъсява експлоатационния живот на батерията.
3. Зареждайте акумулаторната батерия при стайна температура от 10 °C – 40 °C (50 °F – 104 °F). Оставете загретите акумулаторни батерии да се охладят, преди да ги зареждате.
4. Когато не използвате акумулаторната батерия, извадете я от инструмента или зарядното устройство.
5. Заредете акумулаторната батерия, ако не сте го използвали дълъг период от време (повече от шест месеца).

## Важни инструкции за безопасност за безжичното устройство

1. Не разглобявайте и не променяйте безжичното устройство.
2. Пазете безжичното устройство далеч от децата си. При случайно поглъщане незабавно потърсете медицинска помощ.
3. Използвайте безжичното устройство само с инструменти на Makita.
4. Не излагайте безжичното устройство на действието на дъжд или влага.
5. Не използвайте безжичното устройство на места, където температурата превишава 50°C.
6. Не допускайте работа на безжичното устройство на места, където в близост има медицински апарати, като например сърдечни пейсмейкъри.
7. Не допускайте работа на безжичното устройство на места, където в близост има автоматични устройства. При работа със същото може да се получи неизправност на или грешка в автоматичните устройства.
8. Не работете с безжичното устройство на места с висока температура или на места, където може да се генерира статично електричество или електрически шум.
9. Безжичното устройство може да генерира електромагнитни полета (EMF), но те не са вредни за потребителя.
10. Безжичното устройство е точен уред. Внимавайте да не изпуснете или ударите безжичното устройство.
11. Не докосвайте извода на безжичното устройство с голи ръце или метални материали.

12. Винаги изваждайте батерията от продукта, когато монтирате безжичното устройство.
13. При отварянето на капака на гнездото избягвайте места, където може да влязат прах и вода в гнездото. Винаги поддържайте чист входа на гнездото.
14. Винаги вкарвайте безжичното устройство в правилната посока.
15. Не натискайте прекалено силно бутона за безжично активиране на безжичното устройство и/или не го натискайте с предмет с остър ръб.
16. Винаги затваряйте капака на гнездото при работа.
17. Не махайте безжичното устройство от гнездото, когато към инструмента се подава захранване. Ако направите това, може да се получи неизправност на безжичното устройство.
18. Не махайте стикера от безжичното устройство.
19. Не поставяйте стикери върху безжичното устройство.
20. Не оставяйте безжичното устройство на място, където може да се генерира статично електричество или електрически шум.
21. Не оставяйте безжичното устройство на място, подложено на голямо загряване, като например нагрятата от слънцето кола.
22. Не оставяйте безжичното устройство на място с прах или прахообразни продукти или на място, където може да се генерира предизвикващ корозия газ.
23. Внезапната промяна на температурата може да доведе до запотвяване на безжичното устройство. Не използвайте безжичното устройство, докато кондензираната вода не изсъхне.
24. Почиствайте безжичното устройство внимателно със суха и мека кърпа. Не използвайте бензол, разреждител, проводяща грес или други подобни.
25. Когато съхранявате безжичното устройство, го дръжте в кутията, в която е доставено, или в контейнер без статично електричество.
26. Не вкарвайте в гнездото никакви устройства, различни от безжичното устройство на Makita.
27. Не използвайте инструмента с повреден капак на гнездото. Проникнали в гнездото вода, прах и замърсявания могат да предизвикат неизправност.
28. Не дърпайте и/или усуквайте капака на гнездото повече от необходимото. Върнете на мястото му капака, ако същият се откочи от инструмента.
29. Сменете капака на гнездото, ако същият бъде загубен или повреден.

## ЗАПАЗЕТЕ НАСТОЯЩИТЕ ИНСТРУКЦИИ.

# ОПИСАНИЕ НА ЧАСТИТЕ

## ► Фиг.2

1	Шестостенен ключ	2	Регулиращ болт (за максимална дебелина на рязане)	3	Регулиращ винт (за долно гранично положение)	4	Рамо на стопера
5	Бутон за безжично активиране	6	Лампа за безжичното активиране	7	Бутон за прахосмукачка	8	Бутон за лампата
9	Предпазител на режещия диск	10	Пластина за надрез	11	Ръкохватка (за въртящата се основа)	12	Регулатор на дръжката (за ъгъл на наклон)
13	Освобождаващ лост (за въртящата се основа)	14	Регулиращ болт (за въртящата се основа)	15	Водещи ограничители	16	Показалец (за ъгъл на рязане)
17	Скала за ъгъла на рязане	18	Въртяща се основа	19	Спомагателна основа	20	Вертикално менгеме
21	Освобождаващ лост (за ъгъл на наклон надясно)	22	Болт за регулиране на 45° (за ъгъл на наклон надясно)	23	Болт за регулиране на 0° (за ъгъл на наклон)	24	Тръба за прах
25	Скала за ъгъл на наклон надясно	26	Показалец (за ъгъл на наклон надясно)	27	Застопоряващ шифт (за плъзгането на носача)	28	Плъзгащ прът
29	Капак (за безжичния модул)	-	-	-	-	-	-

## ► Фиг.3

1	Отвор за катинар	2	Пусков прекъсвач	3	Блокиращ бутон	4	Дръжка за пренасяне
5	Акумулаторна батерия	6	Маркуч за отвеждане на праха	7	Скала за ъгъл на наклон наляво	8	Показалец (за ъгъл на наклон наляво)
9	Освобождаващ лост (за ъгъл на наклон 48°)	10	Болт за регулиране на 45° (за ъгъл на наклон наляво)	11	Блокировка на вала	12	Торба за прах (когато маркучът за отвеждане на праха е заменен с нея)

## МОНТАЖ

### Настолен монтаж

**▲ ПРЕДУПРЕЖДЕНИЕ:** Уверете се, че инструментът не се движи върху опорната повърхност. Придвижване на циркуляра за рязане под ъгъл върху опорната повърхност може да предизвика загуба на контрол и сериозно нараняване.

1. Закрепете основата върху равна и стабилна повърхност, като я завинтите с болтовете. Това ще предотврати евентуалното падане и възможни наранявания.

► Фиг.4: 1. Болт 2. Отвор за монтиране

2. Завъртете регулиращия болт по часовниковата или обратно на часовниковата стрелка така, че да влезе в контакт с повърхността на пода, за да поддържате инструмента стабилен.

► Фиг.5: 1. Регулиращ болт

## Монтиране на маркуча за отвеждане на праха

Свържете маркуча за отвеждане на праха към инструмента по показания начин. Погрижете се коляното и ръкавът да бъдат поставени правилно в отворите на инструмента.

► Фиг.6: 1. Маркуч за отвеждане на праха  
2. Коляно 3. Патронник 4. Отвор

За да свалите коляното от отвора, издърпайте коляното, докато натискате бутона за блокиране.

За да отстраните втулката от отвора, завъртете я по посока на часовниковата стрелка и след това я издърпайте.

► Фиг.7: 1. Коляно 2. Бутон за блокиране  
3. Патронник 4. Отвор

## ОПИСАНИЕ НА ФУНКЦИИТЕ

**▲ ПРЕДУПРЕЖДЕНИЕ:** Преди да регулирате или проверявате функциите на инструмента, винаги проверявайте дали инструментът е изключен и акумулаторната батерия е извадена. Ако не изключите и не извадите акумулаторната батерия, може да се стигне до сериозни наранявания при случайно стартиране.

### Поставяне и изваждане на акумулаторната батерия

**▲ ВНИМАНИЕ:** Винаги изключвайте инструмента преди поставяне или изваждане на акумулаторната батерия.

**▲ ВНИМАНИЕ:** Когато инсталирате или изваждате акумулаторната батерия, дръжте здраво инструмента и акумулаторната батерия. Ако не държите здраво инструмента и акумулаторната батерия, те могат да се изплъзнат от ръцете ви и да доведат до повреждане на инструмента и акумулаторната батерия или нараняване.

- **Фиг.8:** 1. Червен индикатор 2. Бутон 3. Акумулаторна батерия

За да извадите акумулаторната батерия, я плъзнете извън инструмента, плъзгайки същевременно бутона в предната част на акумулаторната батерия.

За да поставите акумулаторната батерия, изравнете езичето на акумулаторната батерия с жлеба в корпуса и го плъзнете на мястото му. Вмъкнете го докрай, докато ключалката го задържи на място с малко прищракване. В случай че виждате червения индикатор в горната част на бутона, това означава, че тя не е фиксирана напълно на мястото си.

**▲ ВНИМАНИЕ:** Винаги вмъквайте акумулаторната батерия докрай, така че червеният индикатор да се скрие. В противен случай тя може неволно да изпадне от инструмента, което може да нарани вас или някого около вас.

**▲ ВНИМАНИЕ:** Не инсталирайте акумулаторната батерия със сила. Ако батерията не се движи свободно, тя не е била поставена правилно.

### Система за защита на инструмента / акумулаторната батерия

Инструментът е оборудван със система за защита на инструмента/акумулаторната батерия. Тази система автоматично прекъсва захранването към електромотора, за да осигури по-дълъг живот на инструмента и акумулаторната батерия. Инструментът ще спре автоматично по време на работа, ако инструментът или батерията се намират в едно от следните условия:

### Защита срещу претоварване

Когато инструментът/батерията се използва по начин, който води до необичайно висока консумация на ток, инструментът спира автоматично. В такъв случай изключете инструмента и прекратете използването му по начина, който го претоварва. След това включете инструмента за повторно стартиране.

### Защита срещу прегряване

Когато инструментът/акумулаторната батерия прегрее, инструментът спира автоматично. При това положение оставете инструмента/акумулаторната батерия да изстине, преди да включите инструмента отново.

### Защита срещу прекомерно разреждане

Когато батериите са разреждени, инструментът автоматично спира. Ако инструментът не работи дори при задействане на ключовете му, извадете батериите от инструмента и ги заредете.

### Индикация на оставащия капацитет на акумулаторната батерия

Натиснете бутона за проверка на акумулаторната батерия за показване на оставащия заряд на батерията. Светлинните индикатори ще светнат за няколко секунди.

- **Фиг.9:** 1. Светлинни индикатори 2. Бутон за проверка

Светлинни индикатори			Оставащ заряд на батерията
Свети	Изкл.	Мига	
■	□	▬	75% до 100%
■	■	■	
■	■	□	50% до 75%
■	□	□	25% до 50%
■	□	□	0% до 25%
▬	□	□	Заредете батерията.
■	□	□	Батерията може да не работи правилно.
□	□	■	

**ЗАБЕЛЕЖКА:** В зависимост от условията на употреба и околната температура е възможно показанията леко да се различават от действителния капацитет.

**ЗАБЕЛЕЖКА:** Първият (краен ляв) светлинен индикатор ще мига, когато системата за защита на батерията функционира.

## Блокиране на ръкохватката

**⚠ ВНИМАНИЕ:** Винаги дръжте ръкохватката, когато освобождавате застопоряващия щифт. В противен случай тя ще изскочи нагоре и може да причини тежка телесна повреда.

При експедиране на инструмента от фабриката ръкохватката е заключена в долно положение с помощта на застопоряващия щифт. За да освободите ръкохватката, дръпнете застопоряващия щифт и го завъртете на 90°, като същевременно леко спускате ръкохватката.

► **Фиг.10:** 1. Блокирано положение 2. Отключено положение 3. Застопоряващ щифт

## Блокиране на плъзгането

Издърпайте застопоряващия щифт и го завъртете на 90° в отключено положение, за да позволите свободното движение на носача. За да блокирате плъзгащото движение на носача, натиснете носача към рамото, докато спре, и след това върнете застопоряващия щифт в блокирано положение.

► **Фиг.11:** 1. Блокирано положение 2. Отключено положение 3. Застопоряващ щифт 4. Рамо

## Предпазител на режещия диск

**⚠ ПРЕДУПРЕЖДЕНИЕ:** Никога не премахвайте или демонтирайте предпазителя на режещия диск или пружината, прикрепена към предпазителя. Откриване на режещия диск в резултат на елиминиране на предпазителя може да доведе до сериозно нараняване по време на работа.

**⚠ ПРЕДУПРЕЖДЕНИЕ:** Никога не използвайте инструмента, ако предпазителят на режещия диск или неговата пружина са повредени, неизправни или демонтирани. Работа с инструмент с повреден, неизправен или демонтиран предпазител може да доведе до сериозно нараняване.

**⚠ ВНИМАНИЕ:** Винаги поддържайте предпазителя на режещия диск в добро състояние за безопасна експлоатация. Спрете незабавно работа, ако забележите нередности с предпазителя на режещия диск. Проверете дали работи функцията за връщащо действие на предпазителя.

Когато свалите ръкохватката, предпазителят на режещия диск автоматично се вдига. Предпазителят има пружина под напрежение и се връща в първоначалното си положение, когато рязането свърши и ръкохватката се вдигне.

► **Фиг.12:** 1. Предпазител на режещия диск

## Почистване

Ако прозрачният предпазител на режещия диск се замърси или по него полепнат стърготини, така че режещият диск и/или обработваният детайл не са лесно видими, извадете акумулаторната батерия и внимателно почистете предпазителя с влажна кърпа. Не използвайте разтворители или почистващи средства на основата на нефтопродукти върху пластмасовия предпазител, тъй като това може да го повреди.

Следвайте една след друга стъпките от посочените инструкции за подготовка за почистване.

1. Винаги проверявайте дали инструментът е изключен и дали акумулаторната батерия е извадена.

2. Завъртете шестостенния глух болт обратно на часовниковата стрелка с помощта на предоставения шестостенен ключ, като придържате централния капак.

3. Повдигнете предпазния кожух на диска и централния капак.

4. Когато приклучите с почистването, поставете обратно централния капак и затегнете шестостенния глух болт, като извършите стъпките по-горе в обратен ред.

5. Не забравяйте да поставите обратно циркулярния диск и централния капак в първоначалната им позиция и да затегнете шестостенния глух болт.

► **Фиг.13:** 1. Шестостенен ключ 2. Шестостенен глух болт 3. Централен капак 4. Предпазител на режещия диск

**⚠ ПРЕДУПРЕЖДЕНИЕ:** Не сваляйте пружината, държаща предпазителя на режещия диск. Ако предпазителят се повреди вследствие на стареене или излагане на УВ лъчи, се обърнете към сервиз на Makita за нов предпазител. **НЕ СВАЛЯЙТЕ ИЛИ ОТСТРАНЯВАЙТЕ ПРЕДПАЗИТЕЛЯ.**

## Позициониране на пластината за надрез

Този инструмент е снабден с пластини за надрез във въртящата се основа за свеждане до минимум на разкъсването откъм изходната страна на среза. Пластините за надрез са фабрично регулирани така, че циркулярният диск да не влиза в контакт с тях. Преди използване регулирайте пластините за надрез, както следва:

1. Не забравяйте да извадите акумулаторната батерия. След това разхлабете всички винтове (по три отляво и отдясно), прикрепващи пластините за надрез.

► **Фиг.14:** 1. Пластина за надрез 2. Винт

2. Затегнете ги отново до степен, в която пластините за надрез да могат лесно да се местят на ръка.

3. Спуснете докрай ръкохватката, след това издърпайте и завъртете застопоряващия щифт, за да фиксирате ръкохватката в спуснато положение.

4. Дръпнете и завъртете застопоряващия щифт на плъзгача, за да може носачът да се плъзне.

► **Фиг.15:** 1. Застопоряващ щифт

5. Издърпайте носача към себе си.
6. Регулирайте пластините за надрез, така че те едва да докосват страните на режещите зъби.  
▶ **Фиг.16**
- ▶ **Фиг.17:** 1. Циркулярен диск 2. Зъби на диска 3. Пластина за надрез 4. Ляво скосяване 5. Прав срез 6. Рязане под наклон надясно

7. Затегнете предните винтове (не ги затягайте силно).
8. Плъзнете носача надолу до средно положение между предния край на пластините за надрез и водещите ограничители. Регулирайте пластините за надрез, така че те едва да докосват страните на режещите зъби.
9. Затегнете централните винтове (не ги затягайте силно).
10. Избутайте докрай носача по посока на водещите ограничители и регулирайте пластините за надрез, така че те едва да докосват страните на режещите зъби.
11. Затегнете задните винтове (не ги затягайте силно).
12. След като регулирате пластините за надрез, извадете застопоряващия щифт за блокиране на ръкохватката и повдигнете ръкохватката. След това затегнете всички винтове до упор.

**БЕЛЕЖКА:** След настройка на ъгъла на наклон проверете дали пластините за надрез са регулирани правилно. Правилното регулиране на пластините за надрез ще спомогне за поддържане на необходимата опора на работния детайл и ще сведе до минимум разкъсването на му.

## Поддръжка на максимална дебелина на рязане

Този инструмент е фабрично регулиран да осигурява максимална дебелина на рязане за 216 мм режещ диск. Когато монтирате нов циркулярен диск, винаги проверете крайната му долна позиция и ако е необходимо, регулирайте както следва:

1. Извадете акумулаторната батерия. След това натиснете носача към водещия ограничител докрай и свалете напълно ръкохватката.  
▶ **Фиг.18:** 1. Регулиращ болт 2. Водещ ограничител
2. Използвайте шестостенния ключ, за да завъртите регулиращия болт, докато регулирате положението на циркулярния диск малко под напречното сечение на водещия ограничител и горната повърхност на въртящата се основа.  
▶ **Фиг.19**
3. Завъртете на ръка диска, докато държите дръжката натисната докрай надолу, за да сте сигурни, че циркулярният диск не влиза в контакт с никаква част от долната основа. При необходимост извършете ново минимално регулиране.

**▲ПРЕДУПРЕЖДЕНИЕ:** След монтиране на нов циркулярен диск и при извадена акумулаторна батерия винаги проверявайте дали циркулярният диск не влиза в контакт с никаква част от долната основа, когато дръжката е спусната докрай надолу. Ако циркулярния диск осъществи такъв контакт, това може да доведе до откат и сериозно телесно нараняване.

▶ **Фиг.20**

## Рамо на стопера

Долното гранично положение на циркулярния диск може лесно да се регулира с рамото на стопера. За да го регулирате, придвижете рамото на стопера по посока на стрелката, показана на фигурата. Въртете регулиращия винт, така че режещият диск да спре на желаното положение при спускане на ръкохватката докрай.

▶ **Фиг.21:** 1. Шестостенен ключ 2. Регулиращ винт 3. Рамо на стопера

**▲ВНИМАНИЕ:** Винаги дръжте дръжката здраво, когато правите регулировки. Ако не го направите, носачът може да подскочи и да предизвика нараняване.

## Регулиране на ъгъла на рязане

**▲ВНИМАНИЕ:** След като промените ъгъла на срязване, винаги фиксирайте въртящата се основа, като върнете освобождаващото лостче в блокирано положение и здраво затегнете ръкохватката.

**БЕЛЕЖКА:** Когато завъртате въртящата се основа не забравяйте да повдигнете докрай дръжката нагоре.

1. Завъртете ръкохватката обратно на часовниковата стрелка и натиснете освобождаващото лостче в отключено положение.
2. Хванете и завъртете ръкохватката от една страна към другата, за да завъртите основата.
3. Подравнете показалеца с желания от вас ъгъл върху скалата за ъгъла на рязане.
4. Натиснете освобождаващото лостче в блокирано положение и затегнете ръкохватката.  
▶ **Фиг.22:** 1. Дръжка 2. Освобождаващо лостче 3. Блокирано положение 4. Отключено положение 5. Показалец 6. Скала за ъгъла на рязане

## Функция „неподвижен упор“

Този настолен циркуляр използва функцията „неподвижен упор“. Можете бързо да зададете ляв/десен ъгъл на рязане 0°, 15°, 22,5°, 31,6°, 45° и 60°.

1. Завъртете основата близо до желания от вас ъгъл на „неподвижен упор“, докато натискате освобождаващото лостче в отключено положение.
2. Натиснете освобождаващото лостче до средата между отключено положение и блокирано положение.

- Завъртете основата до желания от вас ъгъл на „неподвижен упор“, докато се фиксира.
- Натиснете освобождаващото лостче до блокирано положение и затегнете ръкохватката.
  - ▶ **Фиг.23:** 1. Ъгъл на „неподвижен упор“
  - 2. Освобождаващо лостче
  - 3. Блокирано положение
  - 4. Отключено положение
  - 5. Дръжка

## Регулиране на ъгъла на скосяване

**⚠ВНИМАНИЕ:** След като промените ъгъла на рязане под наклон, винаги фиксирайте рамото, като здраво затегнете регулатора на дръжката по часовниковата стрелка.

**БЕЛЕЖКА:** Винаги махайте горните водещи ограничители и вертикалното менгеме, преди да настроите ъгъла на наклона.

**БЕЛЕЖКА:** Когато наклоняте циркулярния диск, се уверете, че носачът е повдигнат докрай.

**БЕЛЕЖКА:** Когато промените ъглите на рязане под наклон, не забравяйте да репозиционирате правилно положението на пластините за надрез, както е обяснено в раздела за позициониране на пластините за надрез.

**БЕЛЕЖКА:** Не стягайте прекомерно регулатора на дръжката. Това може да доведе до неизправност на заключващия механизъм на ъгъла на наклон.

## Наклоняне на циркулярния диск наляво

- Завъртете регулатора на дръжката обратно на часовниковата стрелка.
- Хванете ръкохватката и наклонете носача наляво.
- Подравнете показалеца с желания от вас ъгъл върху скалата за ъгъла на наклоняне.
- Затегнете регулатора на дръжката по часовниковата стрелка, за да фиксирате рамото.
  - ▶ **Фиг.24:** 1. Регулатор на дръжката
  - 2. Ръкохватка
  - 3. Показалец
  - 4. Скала за ъгъла на наклоняне

## Наклоняне на циркулярния диск надясно

- Завъртете регулатора на дръжката обратно на часовниковата стрелка.
- Хванете ръкохватката и наклонете носача леко надясно.
- Наклонете носача надясно, докато дърпате освобождаващия лост за ъгъл на наклон надясно.
- Подравнете показалеца с желанието от вас ъгъл върху скалата за ъгъла на наклоняне.
- Затегнете регулатора на дръжката по часовниковата стрелка, за да фиксирате рамото.
  - ▶ **Фиг.25:** 1. Регулатор на дръжката
  - 2. Ръкохватка
  - 3. Освобождаващ лост за ъгъл на наклон надясно
  - 4. Показалец
  - 5. Скала за ъгъла на наклоняне

## Наклоняне на циркулярния диск извън диапазона 0°–45°

- Завъртете регулатора на дръжката обратно на часовниковата стрелка.
- Хванете ръкохватката и наклонете носача над 45° наляво или надясно.
- Издърпайте леко носача обратно и завъртете освобождаващото лостче за ъгъл на наклон 48° по посока на часовниковата стрелка.
- Наклонете носача още наляво или надясно, докато лостчето е отпуснато.
- Затегнете регулатора на дръжката по часовниковата стрелка, за да фиксирате рамото.
  - ▶ **Фиг.26:** 1. Регулатор на дръжката
  - 2. Ръкохватка
  - 3. Освобождаващ лост за ъгъл на наклон 48°

## Включване

**⚠ПРЕДУПРЕЖДЕНИЕ:** Преди да поставите акумулаторната(ите) батерия(и) в инструмента, винаги проверявайте дали пусковият прекъсвач се задейства правилно и се връща в позиция „OFF“ (ИЗКЛ.) при освобождаването си. Не издърпвайте пусковия прекъсвач силно, без да сте натиснали бутона за деблокиране. Това може да доведе до счупване на прекъсвача. Работа с инструмент с прекъсвач, който не функционира правилно, може да доведе до загуба на контрол и до сериозно телесно нараняване.

**⚠ПРЕДУПРЕЖДЕНИЕ:** НИКОГА не използвайте инструмента без изцяло функционален пусков прекъсвач. Всеки инструмент с неизправен прекъсвач е ИЗКЛЮЧИТЕЛНО ОПАСЕН и трябва да се ремонтира преди по-нататъшна употреба, в противен случай може да възникне сериозно нараняване.

**⚠ПРЕДУПРЕЖДЕНИЕ:** НИКОГА не елиминирайте деблокиращия бутон, като го завържете в натиснато положение с лента или някакъв друг материал. Прекъсвач с елиминиран деблокиращ бутон може да доведе до неволно задействане на инструмента и сериозно нараняване.

**⚠ПРЕДУПРЕЖДЕНИЕ:** НИКОГА не използвайте инструмента, ако се включва само когато издърпате пусковия прекъсвач, без да сте натиснали бутона за деблокиране. Неремонтиран прекъсвач може да доведе до неволно задействане на инструмента и сериозно нараняване. Върнете инструмента в сервизен център на Makita за ремонт ПРЕДИ по-нататъшна употреба.

- ▶ **Фиг.27:** 1. Пусков прекъсвач
- 2. Блокиращ бутон
- 3. Отвор за катинар

За предотвратяване на случайното натискане на пусковия прекъсвач е осигурен бутон за деблокиране. За включване на инструмента натиснете бутона за деблокиране и натиснете пусковия прекъсвач. За спиране отпуснете пусковия прекъсвач. В пусковия прекъсвач е предвиден отвор за поставяне на катинар за заключване на инструмента.

**▲ ПРЕДУПРЕЖДЕНИЕ:** Не използвайте заключване със скоба или кабел, по-тънки от 6,35 мм. По-тънка скоба или жило може да не блокират правилно инструмента в изключено положение и неволното му действие може да доведе до тежко нараняване.

## Насочване на линия на рязане

**▲ ВНИМАНИЕ:** Лампата не е водоустойчива. Не я мийте с вода и не я използвайте при дъжд или във влажни зони. Това може да причини електрически удар и дим.

**▲ ВНИМАНИЕ:** Не докосвайте лупата на лампата, тъй като тя е много гореща, докато свети и малко след изгасването си. Може да причини изгаряния.

**▲ ВНИМАНИЕ:** Не удряйте лампата, тъй като това може да я повреди или да съкрати периода на нейната експлоатация.

**▲ ВНИМАНИЕ:** Не гледайте директно в светлинния източник.

Светодиодната лампа осветява над циркулярния диск и върху обработвания детайл пада сянка от диска, която служи като индикатор на линията на рязане без калибриране. Натиснете бутона за лампата, за да я включите. Появява се линия, върху която дискът ще срещне повърхността на обработвания детайл, като същата става по-плътна със спускането на диска.

► **Фиг.28:** 1. Бутон за лампата 2. Лампа 3. Линия на рязане

Индикаторът помага за рязането през съществуваща линия на рязане, очертана с молив върху обработвания детайл.

1. Хванете ръкохватката и спуснете циркулярния диск така, че върху обработвания детайл да падне плътна сянка на диска.
2. Подравнете линия на рязане, начертана върху обработвания детайл, с образуваната от сянката линия на рязане.
3. Ако е необходимо, регулирайте ъглите на рязане и ъглите на рязане под наклон.

**ЗАБЕЛЕЖКА:** Изключвайте превключвателя за лампата след използването ѝ, тъй като консумира от мощността на батерията.

**ЗАБЕЛЕЖКА:** Светлината автоматично изгасва 5 минути след като прекратите работа.

## Електронна функция

### Електрическа спиратка

Този инструмент е оборудван с електрическа спиратка. Ако инструментът неколккратно не успява бързо да спре работа след освобождаване на пусковия прекъсвач, занесете инструмента за извършване на техническо обслужване в сервизен център на Makita.

## Управление за постоянни обороти

Инструментът е снабден с електронно управление на оборотите, което помага за поддържане на постоянни обороти на въртене на режещия диск дори при натоварване. Постоянните обороти на въртене на режещия диск осигуряват много гладък отрез.

## Функция за плавно пускане

Този функция осигурява плавно пускане на инструмента чрез ограничаване на пусковия въртящ момент.

## СГЛОБЯВАНЕ

**▲ ПРЕДУПРЕЖДЕНИЕ:** Преди да извършите някакви дейности по инструмента, задължително проверете дали той е изключен и акумулаторната батерия е извадена. Ако не изключите и не извадите акумулаторната батерия, това може да доведе до сериозни наранявания.

## Съхранение на шестостенния ключ

За да не изгубите шестостенния ключ, когато не го използвате, го поставете на мястото, показано на фигурата.

► **Фиг.29:** 1. Шестостенен ключ

## Демонтиране и монтиране на циркулярен диск

**▲ ПРЕДУПРЕЖДЕНИЕ:** Винаги проверявайте дали инструментът е изключен и дали акумулаторната батерия е извадена преди демонтаж и монтаж на циркулярния диск. Неволното стартиране на инструмента може да доведе до сериозно телесно нараняване.

**▲ ПРЕДУПРЕЖДЕНИЕ:** Използвайте само предоставения гаечен ключ Makita, за да свалите или монтирате циркулярния диск. Ако не използвате гаечния ключ, това може да доведе до претягане или недостатъчно затягане на болта с вътрешен шестостен и сериозно телесно нараняване.

**▲ ПРЕДУПРЕЖДЕНИЕ:** Никога не използвайте и не заменяйте части, които не са предоставени с този инструмент. Използването на такива части може да причини тежко нараняване.

**▲ ПРЕДУПРЕЖДЕНИЕ:** След като монтирате циркулярния диск, винаги проверявайте дали е здраво закрепен. Хлабавото закрепване на циркулярния диск може да причини сериозно телесно нараняване.

## Демонтиране на режещия диск

За демонтиране на циркулярния диск изпълнете следните стъпки:

1. Заклучете носача във вдигнато положение чрез издърпване и завъртане на щифта на стопера в блокирано положение.

► **Фиг.30:** 1. Застопоряващ щифт

2. Използвайте шестостенния ключ, за да разхлабите шестостенния глух болт, придържайки централния капак. След това повдигнете предпазителя на диска и централния капак.

► **Фиг.31:** 1. Шестостенен ключ 2. Шестостенен глух болт 3. Централен капак 4. Предпазител на режещия диск

3. Натиснете палеца за блокиране на вала, за да фиксирате шпиндела, и използвайте шестостенния ключ, за да разхлабите шестостенния глух болт в посока по часовниковата стрелка. След това махнете шестостенния глух болт, външния фланец и циркулярния диск.

► **Фиг.32:** 1. Шестостенен глух болт (ляво въртене) 2. Външен фланец 3. Блокировка на вала

4. Ако вътрешният фланец е изваден, непременно го монтирайте върху шпиндела, като монтажната част на диска трябва да сочи към циркулярния диск. Ако фланецът бъде монтиран неправилно, той ще се трие в машината.

► **Фиг.33:** 1. Външен фланец 2. Циркулярен диск 3. Вътрешен фланец 4. Шестостенен глух болт (ляво въртене) 5. Патронник 6. Монтажна част на диска

## Монтиране на режещия диск

**⚠ВНИМАНИЕ:** Монтирайте циркулярния диск така, че посоката на стрелката върху диска да съвпада с тази върху корпуса на диска. Неспазването на това изискване може да доведе до телесно нараняване и да предизвика повреждане на инструмента и/или работния детайл.

За монтиране на циркулярния диск изпълнете следните стъпки:

1. Монтирайте внимателно циркулярния диск върху вътрешния фланец. Уверете се, че посоката на стрелката върху циркулярния диск съвпада с посоката на стрелката върху корпуса на диска.

► **Фиг.34:** 1. Стрелка

2. Монтирайте външния фланец и шестостенния глух болт, а след това използвайте шестостенния ключ, за да затегнете здраво шестостенния глух болт (наляво) в посока, обратна на часовниковата стрелка, докато държите натиснат палеца за блокиране на вала.

3. Върнете предпазителя на диска и централния капак обратно на местата им. След това затегнете шестостенния глух болт на централния капак, за да го застопорите.

4. Дръпнете и завъртете щифта на стопера, за да освободите носача от повдигнатото положение. Спуснете носача и проверете дали предпазителят на диска се движи свободно.

## За инструмент с вътрешен фланец за циркулярен диск с диаметър на отвора от 15,88 мм

### Зависи от страната

Монтирайте вътрешния фланец със скосената част, насочена навън, върху монтажния вал, след което поставете циркулярния диск, външния фланец и шестостенния глух болт.

► **Фиг.35:** 1. Външен фланец 2. Циркулярен диск 3. Вътрешен фланец 4. Шестостенен глух болт (ляво въртене) 5. Патронник 6. Скосена част

## За инструмент с вътрешен фланец за циркулярни дискове с диаметър на отвора различен от 25,4 мм или 30 мм

### Зависи от страната

От едната страна на вътрешния фланец има монтажната част, съответстваща на определен диаметър, а от другата страна – монтажната част, съответстваща на друг диаметър. Изберете правилната страна, на която монтажната част пасва на отвора на циркулярния диск напълно.

► **Фиг.36:** 1. Външен фланец 2. Циркулярен диск 3. Вътрешен фланец 4. Шестостенен глух болт (ляво въртене) 5. Патронник 6. Монтажна част на диска

**⚠ВНИМАНИЕ:** Уверете се, че монтажната част „а“ на диска върху вътрешния фланец, позиционирана отвън, съвпада идеално с отвора „а“ на циркулярния диск. Монтирането на циркулярния диск от неправилната страна може да предизвика опасни вибрации.

## Свързване с прахосмукачка

Когато искате да режете чисто, свържете прахосмукачка Makita към крайника за събиране на праха (горен отвор за улавяне на праха), като използвате предния маншет 24 (допълнителна принадлежност).

► **Фиг.37:** 1. Предни маншети 24 2. Маркуч 3. Прахосмукачка

## Торбичка за прах

**⚠ВНИМАНИЕ:** Когато се изпълнява срез, винаги прикрепвайте торбата за прах или свързвайте прахосмукачка, за да предотвратите опасности, свързани с отделяния прах.

Използването на торба за прах прави операциите срязане чисти и улеснява събирането на отделения прах. За да закрепите торбата за прах, махнете маркуча за отвеждане на праха от инструмента и свържете торбата за прах към крайника за събиране на праха (горен отвор за улавяне на праха).

► **Фиг.38:** 1. Маркуч за отвеждане на праха 2. Торба за прах 3. Крайник за събиране на праха (горен отвор за улавяне на праха)



Когато торбата за прах се напълни наполовина, свалете торбата за прах от инструмента и издърпайте закрепващия елемент навън. Изпразнете торбата за прах от нейното съдържание, като леко я изтупате, за да отстраните частиците, полепнали по вътрешността ѝ, които биха затруднили по-нататъшното събиране на прах.

► **Фиг.39:** 1. Закрепващ елемент

## Закрепване на работния детайл

**▲ ПРЕДУПРЕЖДЕНИЕ:** Изключително важно е винаги правилно да закрепвате работния детайл в подходящ тип менгеме. Неспазването на това изискване може да доведе до тежко нараняване и да предизвика повреждане на инструмента и/или работния детайл.

**▲ ПРЕДУПРЕЖДЕНИЕ:** При рязане на работен детайл по-дълъг от опорната основа на циркуляра, материалът трябва да е подпрян по цялата му дължина извън опорната основа и на същата височина, за да бъде хоризонтален. Правилното укрепване на работния детайл спомага за избягване заклиняването на диска и евентуален обратен удар, които може да доведе до сериозно нараняване. Не разчитайте единствено на вертикалното менгеме и/или хоризонталното менгеме за обезопасяване на обработвания детайл. Тънките материали могат да хлъзнат. Използвайте опора за обработвания детайл по цялата му дължина, за да избегнете заклиняване на диска и евентуален ОБРАТЕН УДАР.

► **Фиг.40:** 1. Опора 2. Въртяща се основа

## Водещи ограничители

**▲ ПРЕДУПРЕЖДЕНИЕ:** Преди да включите инструмента, се уверете, че горният ограничител е закрепен здраво.

**▲ ПРЕДУПРЕЖДЕНИЕ:** Преди рязане под наклон се уверете, че никаква част от инструмента, особено режещият диск не опира в горния и долния ограничители при спускане докрай на ръкохватката и повдигане на същата в каквото и да е положение, също при движение на носача по протежение на целия му ход. Ако инструментът или режещият диск опрат в ограничителя, това може да доведе до откат или до неочаквано движение на материала и тежко нараняване.

Използвайте горни ограничители за поддържане на материала по-високо от долните ограничители. Разхлабете притискащия винт така, че горните ограничители да се плъзгат навътре и навън над долните ограничители. Препозиционирайте ограничителите и след това затегнете винта.

► **Фиг.41:** 1. Горен ограничител 2. Долен ограничител 3. Притискащ винт 4. Регулиращ винт

**БЕЛЕЖКА:** Долните ограничители са закрепени към основата фабрично. Не демонтирайте долните ограничители.

**БЕЛЕЖКА:** Ако горният ограничител е все още хлабав след затягане на притискащия винт, завъртете регулиращия винт, за да затворите междината. Регулиращият винт е настроен фабрично. Той не трябва да се използва, ако не е необходимо.

## Вертикално менгеме

**▲ ПРЕДУПРЕЖДЕНИЕ:** Обработваният детайл трябва да се закрепи здраво спрямо въртящата се основа и водещите ограничители с менгемето при всички операции. Ако обработваният детайл не е фиксиран правилно към ограничителя, по време на рязането материалът може да се премести и да предизвика повреждане на режещия диск, съпроводено с изхвърляне на материала и загуба на контрол, водещи до тежко нараняване.

Вертикалното менгеме може да се инсталира в две позиции от лявата и от дясната страна на основата. Вкарайте пръта на менгемето в един от отворите в основата. Позиционирайте рамото на менгемето в зависимост от дебелината и формата на работния детайл, след което фиксирайте рамото на менгемето, като затегнете горния притискащ винт. Ако притискащият винт опре в носача, тогава го монтирайте на противоположната страна на рамото на менгемето. Уверете се, че никоя част от инструмента не е в контакт с менгемето, когато сваляте ръкохватката докрай. Ако някои части са в контакт с менгемето, променете позицията му. Притиснете работния детайл към водещите ограничители и въртящата се основа. Поставете работния детайл в желаната позиция за рязане и го фиксирайте здраво, като затегнете гайката на менгемето.

► **Фиг.42:** 1. Отвори 2. Ос на менгемето 3. Рамо на менгемето 4. Притискащ винт 5. Гайка за менгеме

## Хоризонтално менгеме

### Допълнителни аксесоари

**▲ ПРЕДУПРЕЖДЕНИЕ:** Винаги въртете дръжача на гайката по часовниковата стрелка, докато обработваният детайл бъде фиксиран правилно. Ако обработваният детайл не е фиксиран правилно, по време на рязането материалът може да се премести и да предизвика повреждане на циркулярния диск, съпроводено с изхвърляне на материала и загуба на контрол, водещи до тежко нараняване.

**▲ ПРЕДУПРЕЖДЕНИЕ:** Когато се реже тънък обработван детайл до ограничителя, например подови первази, винаги използвайте хоризонтално менгеме.

**▲ ВНИМАНИЕ:** Когато режете обработвания детайл на дебелина 20 мм или по-тънко, уверете се, че използвате дистанционно блокче, за да обезопасите обработвания детайл.

Хоризонталното менгеме може да се инсталира от лявата или дясната страна на основата. При извършване на рязане под ъгъл 22,5° или по-голям, монтирайте хоризонталното менгеме от страната, която е противоположна на посоката на въртенето на въртящата се основа. Чрез завъртане на дръжача на гайката обратно на часовниковата стрелка менгемето се освобождава и се движи бързо навътре и навън. За да захванете обработвания детайл, натиснете напред ръкохватката на менгемето, докато плочата на менгемето опре в обработвания детайл, и завъртете дръжача на гайката по часовниковата стрелка. След това завъртете ръкохватката на менгемето по часовниковата стрелка, за да закрепите обработвания детайл.

► **Фиг.43:** 1. Челюст на менгеме 2. Дръжач на гайката 3. Ръкохватка на менгемето

**ЗАБЕЛЕЖКА:** Максималната ширина на обработвания детайл, който може да се закрепва чрез хоризонталното менгеме, е 68 мм.

## Спомагателна основа

**▲ ПРЕДУПРЕЖДЕНИЕ:** За прецизно рязане и предотвратяване на опасна загуба на контрол винаги укрепвайте дългите работни детайли така, че да бъдат подравнени спрямо горната повърхност на въртящата се основа. Правилното подпиране на обработвания детайл ще помогне за предотвратяване на закланване на режещия диск и вероятен откат, който може да причини тежко нараняване.

**▲ ПРЕДУПРЕЖДЕНИЕ:** Преди рязането винаги проверявайте дали спомагателните основи са фиксирани с винтовете.

За да се задържат хоризонтално обработвани детайли, са осигурени спомагателни основи от двете страни на инструмента. Развийте винтовете и удължете спомагателните основи до подходящата дължина за задържане на обработвания детайл. След това затегнете винтовете.

► **Фиг.44:** 1. Спомагателна основа 2. Винт

Когато режете, поставете обработвания детайл притиснат към водещите ограничители.

► **Фиг.45:** 1. Водещ ограничител 2. Спомагателна основа

## Експлоатация

Този инструмент е предназначен за рязане на продукти от дърво. С подходящи оригинални циркулярни дискове на Makita могат да се режат също така и следните материали:

— Продукти от алуминий

Вижте нашия уебсайт или се свържете с Вашия местен представител на Makita за подходящите циркуляри, които да използвате за материала, който трябва да се среже.

**▲ ПРЕДУПРЕЖДЕНИЕ:** Преди да включите превключвателя, се уверете, че циркулярният диск не е в контакт с детайла. Включването на инструмента, когато циркулярният диск е в контакт с работния детайл, може да предизвика откат и сериозно телесно нараняване.

**▲ ПРЕДУПРЕЖДЕНИЕ:** След рязане не повдигайте циркулярния диск, докато той не спре напълно. Повдигането на въртящ се по инерция режещ диск може да доведе до сериозно телесно и до повреждане на работния детайл.

**▲ ПРЕДУПРЕЖДЕНИЕ:** Не извършвайте никакво регулиране, например въртене на ръкохватката, лостовете, застопоряващия щифт на инструмента, докато се върти циркулярният диск. Регулирането, докато се върти циркулярният диск, може да доведе до сериозно телесно нараняване.

**БЕЛЕЖКА:** Преди употреба не пропускате да деблокирате застопоряващия щифт и да освободите ръкохватката от спуснато положение.

**БЕЛЕЖКА:** Не прилагайте извънредно усилие върху дръжката, когато режете. Прекомерната сила може да предизвика претоварване на електромотора и/или намалена ефективност при рязане. Натиснете дръжката надолу с толкова сила, колкото е необходимо за плавно рязане и без значително намаляване на оборотите на циркулярния диск.

**БЕЛЕЖКА:** Внимателно натиснете дръжката надолу за да извършите среза. Ако дръжката бъде натисната със сила или бъде приложено странично усилие, циркулярният диск може да започне да вибрира и да остави следи (от рязане) върху работния детайл, а прецизността на рязане може да бъде влошена.

**БЕЛЕЖКА:** По време на рязане с плъзгане внимателно натисвайте носача напред към водещите ограничители, без да спирате. Ако по време на рязане движението на носача бъде спряно, върху работния детайл ще остане следа, а прецизността на рязане може да бъде влошена.

## Рязане с натиск

**▲ ПРЕДУПРЕЖДЕНИЕ:** Винаги блокирайте плъзгащото движение на носача, когато извършвате рязане с притискане. Рязане без блокировка може да предизвика евентуален откат, който може да доведе до тежко нараняване.

Обработвани детайли с височина до 70 мм и ширина до 92 мм могат да се режат по следния начин.

1. Натиснете носача към водещите ограничители, докато спре, и го фиксирайте със застопоряващия щифт.
2. Закрепете работния детайл с подходящ тип менгеме.
3. Включете инструмента, без циркулярният диск да влиза в контакт, и изчакайте, докато циркулярният диск достигне пълните си обороти, за да го спуснете.
4. Бавно спуснете дръжката докрай надолу, за да срежете работния детайл.
5. След като приключите с рязането, изключете инструмента и изчакайте, докато циркулярният диск спре напълно, преди да го върнете в напълно вдигнато положение.

► **Фиг.46:** 1. Застопоряващ щифт

## Рязане с плъзгане (избутване) (рязане на широки работни детайли)

**▲ ПРЕДУПРЕЖДЕНИЕ:** Когато извършвате срез с плъзгане, първо издърпайте докрай носача към себе си, натиснете дръжката докрай надолу и след това избутайте носача напред към водещия ограничител. Никога не започвайте да режете, ако носачът не е издърпан докрай към вас. Ако извършите рязане с плъзгане, без носачът да е издърпан докрай към вас, може да възникне неочакван обратен удар, който да причини сериозно нараняване.

**▲ ПРЕДУПРЕЖДЕНИЕ:** Никога не извършвайте рязане с плъзгане, като дърпате носача към себе си. Дърпането на носача към вас по време на рязане, може да предизвика неочакван обратен удар, който да причини сериозно нараняване.

**▲ ПРЕДУПРЕЖДЕНИЕ:** Никога не извършвайте рязане с плъзгане с дръжка, блокирана в спуснато положение.

1. Деблокирайте застопоряващите щифтове така, че носачът да се вдига и плъзга свободно.
  2. Закрепете работния детайл с подходящ тип менгеме.
  3. Издърпайте носача към себе си.
  4. Включете инструмента, без циркулярният диск да влиза в контакт и изчакайте, докато циркулярният диск достигне пълните си обороти.
  5. Натиснете дръжката надолу и **избутайте носача срещу водещите ограничители и през работния детайл.**
  6. След като приключите с рязането, изключете инструмента и **изчакайте, докато циркулярният диск спре напълно**, преди да го върнете в напълно вдигнато положение.
- **Фиг.47:** 1. Застопоряващ щифт за блокиране на ръкохватката 2. Застопоряващ щифт за блокиране на плъзгането

## Рязане под ъгъл

Вижте раздела за регулиране на ъгъла на рязане.

## Рязане под наклон

**▲ ПРЕДУПРЕЖДЕНИЕ:** След като настроите циркулярния диск за рязане под наклон, се уверете, че носачът и циркулярният диск да се движат свободно по цялата дължина на набелязаната линия на рязане, преди да включите инструмента. Прекъсването на движението на носача или на циркулярния диск по време на операцията за рязане може да предизвика откат и сериозно телесно нараняване.

**▲ ПРЕДУПРЕЖДЕНИЕ:** По време на рязане под наклон дръжте ръцете си встрани от пътя на циркулярния диск. Ъгълът на циркулярния диск може да обърка оператора по отношение на действителния ход на диска по време на рязане, а евентуален контакт с циркулярния диск може да доведе до сериозно телесно нараняване.

**▲ ПРЕДУПРЕЖДЕНИЕ:** Циркулярният диск не трябва да се повдига, докато не спре напълно. По време на рязане под наклон отрязаното парче може да опре до циркулярния диск. Ако циркулярният диск бъде повдигнат, докато се върти, отрязаното парче може да бъде изхвърлено от циркулярния диск, което да доведе до разрошаване на материала и да предизвика сериозно телесно нараняване.

**БЕЛЕЖКА:** При натискане на дръжката надолу прилагайте натиск успоредно на циркулярния диск. Ако силата е приложена перпендикулярно на въртящата се основа или ако по време на рязане посоката на натиска се промени, прецизността на рязане ще се влоши.

1. Махнете горния ограничител от страната, към която възнамерявате да наклоните носача.
  2. Деблокирайте застопоряващите щифтове така, че носачът да се вдига и плъзга свободно.
  3. Регулирайте ъгъла на наклон съгласно обяснената процедура в раздела за регулиране на ъгъла на наклон. След това затегнете регулатора на дръжката.
  4. Закрепете обработвания детайл чрез менгеме.
  5. Издърпайте носача към себе си.
  6. Включете инструмента, без циркулярният диск да влиза в контакт, и изчакайте, докато циркулярният диск достигне пълните си обороти.
  7. Спуснете бавно дръжката докрай надолу, като прилагате натиск успоредно на циркулярния диск, и **избутайте носача към водещите ограничители, за да срежете работния детайл.**
  8. След като приключите с рязането, изключете инструмента и **изчакайте, докато циркулярният диск спре напълно**, преди да го върнете в напълно вдигнато положение.
- **Фиг.48**

## Съставно рязане

Съставното рязане е процесът, при който се изпълнява ъгъл на скосяване едновременно с изрязването на обработвания детайл под ъгъл на рязане. Съставното рязане може да се извършва под ъглите, посочени в таблицата.

Ъгъл на рязане	Ъгъл на скосяване
Ляво и дясно 0° – 45°	Ляво и дясно 0° – 45°

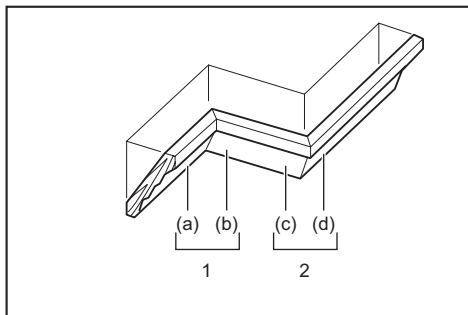
Когато извършвате съставно рязане, направете справка в раздела за рязане с притискане, рязане с плъзгане (бутане), рязане под ъгъл и рязане под наклон.

## Рязане на декоративни и сводести профили

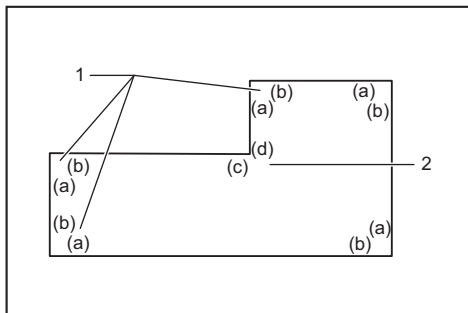
Декоративните и сводести профили могат да се режат с циркуляра за рязане под ъгъл, като профилът бъде поставен да легне плътно върху въртящата се основа. Има два основни типа декоративни профили и един тип сводест профил; 52/38° ъглов степен декоративен профил, 45° ъглов степен декоративен профил и 45° ъглов степен сводест профил.

► **Фиг.49:** 1. 52/38° тип декоративен профил 2. 45° тип декоративен профил 3. 45° тип сводест профил

Има съединения за декоративни и сводести профили, изработени за "вътрешни" 90° ъгли ((a) и (b) на фигурата) и "външни" 90° ъгли ((c) и (d) на фигурата).



1. Вътрешен ъгъл 2. Външен ъгъл



1. Вътрешен ъгъл 2. Външен ъгъл

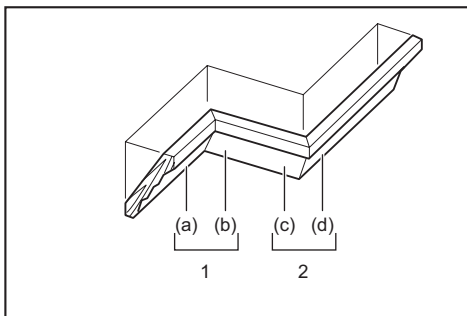
## Измерване

Измерете ширината на стената и регулирайте широчината на работния детайл спрямо нея. Винаги проверявайте дали широчината на края на работния детайл, който е в контакт със стената, е същата като дължината на стената.

► **Фиг.50:** 1. Работен детайл 2. Широчина на стената 3. Широчина на работния детайл 4. Край, който е в контакт със стената

Винаги използвайте няколко парчета за пробни срезове, за да проверите ъглите на срязване. Когато режете декоративни и сводести профили, задайте ъгъла на рязане под наклон и ъгъла на срязване, както е посочено в таблица (А) и позиционирайте профилите върху горната повърхност на основата на циркуляра, както е показано в таблица (В).

## В случай на рязане под наклон с ляв ъгъл



1. Вътрешен ъгъл 2. Външен ъгъл

Таблица (А)

-	Позиция на профила във фигурата	Ъгъл на скосяване		Ъгъл на рязане	
		Тип 52/38°	Тип 45°	Тип 52/38°	Тип 45°
За вътрешния ъгъл	(a)	Ляво 33,9°	Ляво 30°	Дясно 31,6°	Дясно 35,3°
	(b)			Ляво 31,6°	Ляво 35,3°
За външния ъгъл	(c)			Ляво 31,6°	Ляво 35,3°
	(d)			Дясно 31,6°	Дясно 35,3°

Таблица (В)

-	Позиция на профила във фигурата	Оформяне на ръб с помощта на водещ ограничител	Готова част
За вътрешния ъгъл	(a)	Краят, който ще е в контакт с тавана, трябва да е срещу водещия ограничител.	Готовата част ще е от лявата страна на диска.
	(b)	Краят, който ще е в контакт със стената, трябва да е срещу водещия ограничител.	
За външния ъгъл	(c)	Краят, който ще е в контакт с тавана, трябва да е срещу водещия ограничител.	Готовата част ще е от дясната страна на диска.
	(d)	Краят, който ще е в контакт с тавана, трябва да е срещу водещия ограничител.	

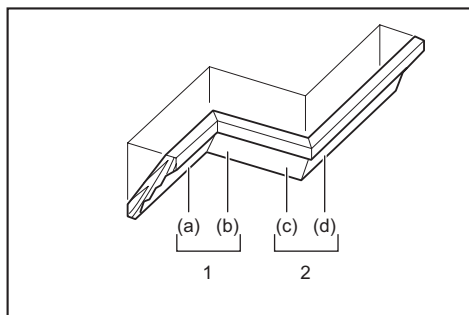
Пример:

В случай на рязане на 52/38° тип декоративен профил за позиция (a) на фигурата по-горе:

- Наклонете и фиксирайте настройката на ъгъла на рязане под наклон на 33,9° ЛЯВО.
- Наклонете и фиксирайте настройката на ъгъл на срязване на 31,6° ДЯСНО.
- Положете декоративния профил с повърхността на широкия гръб (скрит) надолу върху въртящата се основа с РЪБЪТ, КОЙТО Е В КОНТАКТ С ТАВАНА, срещу водещия ограничител на циркуляра.

- След приключване на рязането завършеният детайл, който ще бъде използван, ще бъде винаги ОТЛЯВО на циркулярния диск.

## При рязане под наклон надясно



1. Вътрешен ъгъл 2. Външен ъгъл

Таблица (А)

–	Позиция на профила във фигурата	Ъгъл на скосяване		Ъгъл на рязане	
		Тип 52/38°	Тип 45°	Тип 52/38°	Тип 45°
За вътрешния ъгъл	(a)	Дясно 33,9°	Дясно 30°	Дясно 31,6°	Дясно 35,3°
	(b)			Ляво 31,6°	Ляво 35,3°
За външния ъгъл	(c)			Дясно 31,6°	Дясно 35,3°
	(d)			Дясно 31,6°	Дясно 35,3°

Таблица (В)

–	Позиция на профила във фигурата	Оформяне на ръб с помощта на водещ ограничител	Готова част
За вътрешния ъгъл	(a)	Краят, който ще бъде в контакт със стената, трябва да бъде срещу водещия ограничител.	Готовата част ще е от дясната страна на режещия диск.
	(b)	Краят, който ще е в контакт с тавана, трябва да е срещу водещия ограничител.	Готовата част ще е от лявата страна на режещия диск.
За външния ъгъл	(c)	Краят, който ще бъде в контакт със стената, трябва да бъде срещу водещия ограничител.	Готовата част ще е от лявата страна на режещия диск.
	(d)	Краят, който ще бъде в контакт със стената, трябва да бъде срещу водещия ограничител.	Готовата част ще е от дясната страна на режещия диск.

### Пример:

В случай на рязане на 52/38° тип декоративен профил за позиция (a) на фигурата по-горе:

- Наклонете и фиксирайте ъгъла на наклон на 33,9° ДЯСНО.
- Наклонете и фиксирайте настройката на ъгъл на срязване на 31,6° ДЯСНО.

- Поставете таванния перваз с широката му задна повърхност (скритата) надолу върху въртящата се основа С РЪБА, КОЙТО ОПИРА В СТЕНАТА, към водещия ограничител на циркуляра.
- След приключване на рязането завършеният детайл, който ще бъде използван, ще бъде винаги ОТДЯСНО на циркулярния диск.

## Рязане на екструдирани алуминиеви профили

- **Фиг.51:** 1. Менгеме 2. Разделително блокче 3. Водещ ограничител 4. Екструдирани алуминиев профил 5. Разделително блокче

При рязане на екструдирани алуминиеви профили използвайте дистанциращи блокчета или отпадъчни парчета, както е показано на фигурата, за да предотвратите деформиране на алуминия. При рязане на екструдирани алуминиеви профили използвайте смазка при рязане, за да предотвратите натрупване на алуминиев материал върху циркулярния диск.

**▲ ПРЕДУПРЕЖДЕНИЕ:** Никога не опитвайте да режете дебели или кръгли екструдирани алуминиеви профили. Закрепването на дебели или кръгли алуминиеви профили може да бъде трудно и може да се разхлабят по време на рязането, което може да предизвика загуба на контрол и тежко нараняване.

## Рязане на канали

**▲ ПРЕДУПРЕЖДЕНИЕ:** Не се опитвайте да извършвате този тип рязане, като използвате по-широк диск или с диск за цокъл. Опитът за изрязване на канали с по-широк тип режещ диск или диск за цокъл може да доведе до неочаквани резултати и обратен удар, което може да доведе до сериозно нараняване.

**▲ ПРЕДУПРЕЖДЕНИЕ:** Не забравяйте да върнете рамото на стопера в първоначалното му положение, когато се опитвате да извършвате друг вид рязане, освен изрязване на канали. Опитът за изрязване на канали, докато рамото на стопера е в неправилно положение, може да доведе до неочаквани резултати и обратен удар, което може да доведе до сериозно нараняване.

За изрязване тип цокъл извършете следното:

1. Регулирайте долното гранично положение на циркулярния диск, като използвате винта за регулиране и рамото на стопера, за да ограничите дълбочината на рязане на циркулярния диск. Вижте раздела за рамото на стопера.
2. След като регулирате долното гранично положение на циркулярния диск, изрежете успоредни канали по широчината на работния детайл чрез рязане с плъзгане (бутане).  
► **Фиг.52:** 1. Изрежете канали с диска
3. Отстранете материала от работния детайл между каналите с длето.

## Пренасяне на машината

Преди пренасяне на инструмента не пропускайте да извадите акумулаторната батерия и да обездвижите всички части на настолния циркуляр. Винаги проверявайте следното:

- Дали акумулаторната батерия е извадена.
- Дали носачът е в положение за ъгъл на наклона 0° и е обездвижен.
- Дали носачът е спуснат и застопорен.
- Дали носачът е преместен до водещите ограничители и е застопорен.
- Дали въртящата се основа е в позиция за максимален ъгъл на завъртане надясно и е застопорена.
- Дали спомагателните основи са прибрани и застопорени.

Носете инструмента, като го държите за дръжката или от двете страни на основата му.

► Фиг.53

► Фиг.54

**▲ ПРЕДУПРЕЖДЕНИЕ:** Застопоряващият щифт за повдигане на носача е само за пренасяне и съхранение, но не и за режещи операции. Използване на застопоряващия щифт за рязане може да предизвика неочаквано движение на циркулярния диск, което да доведе до обратен удар и тежко нараняване.

**▲ ВНИМАНИЕ:** Винаги затягайте всички подвижни части преди да пренасяте инструмента. Ако части от инструмента се движат или плъзгат при пренасянето, тогава може да се получи загуба на баланс или контрол, от което да последва нараняване.

**▲ ВНИМАНИЕ:** Уверете се, че повдигането на носача е правилно блокирано от долната му страна посредством застопоряващия щифт. Ако застопоряващият щифт не е зацепен правилно, носачът може внезапно да изскочи и да причини нараняване.

## ФУНКЦИЯ ЗА БЕЗЖИЧНО АКТИВИРАНЕ

### Какво можете да правите с функцията за безжично активиране

Функцията за безжично активиране дава възможност за чиста и удобна работа. Чрез свързване на поддържана прахосмукачка към инструмента Вие можете да реализирате автоматично включване на същата заедно със задействането на превключвателя на инструмента.

► Фиг.55

За да използвате функцията за безжично активиране, подгответе следните елементи:

- Безжично устройство (допълнителна принадлежност)
- Прахосмукачка, която поддържа функцията за безжично активиране

Прегледът на настройката на функцията за безжично активиране може да се види по-долу. Вижте всеки от разделите за подробности относно процедурите.

1. Монтиране на безжичното устройство
2. Регистриране на инструмента за прахосмукачката
3. Стартиране на функцията за безжично активиране

## Монтиране на безжичното устройство

### Допълнителни аксесоари

**▲ ВНИМАНИЕ:** Когато монтирате безжичното устройство, поставете инструмента върху плоска и стабилна повърхност.

**БЕЛЕЖКА:** Преди да монтирате безжичното устройство на инструмента, почистете праха и замърсяванията. Ако в гнездото на безжичното устройство влязат прах или замърсявания, това може да доведе до неизправност.

**БЕЛЕЖКА:** За да предотвратите неизправност в следствието на статично електричество, докоснете материал за разреждане на статично електричество, като например метална част на инструмента, преди да вземете безжичното устройство.

**БЕЛЕЖКА:** Когато монтирате безжичното устройство, винаги се грижете за това безжичното устройство да се вкарва в правилната посока и капакът да бъде напълно затворен.

1. Отворете капака на инструмента, както е показано на фигурата.

► Фиг.56: 1. Капак

2. Вкарайте безжичното устройство в гнездото и затворете капака.

Когато вкарвате безжичното устройство, подравнете изпъкналите му части с прорезите в гнездото.

► Фиг.57: 1. Безжично устройство 2. Изпъкнала част 3. Капак 4. Част с прорези

Когато махнете безжичното устройство, отворете капака бавно. Куките на гърба на капака ще повдигнат безжичното устройство, когато повдигате капака.

► Фиг.58: 1. Безжично устройство 2. Кука 3. Капак

След като махнете безжичното устройство, го дръжте в кутията, в която е доставено, или в контейнер без статично електричество.

**БЕЛЕЖКА:** Когато изваждате безжичното устройство, винаги използвайте куките на гърба на капака. Ако куките не захванат безжичното устройство, затворете капака докрай и го отворете отново бавно.

## Регистриране на инструмента за прахосмукачката

**ЗАБЕЛЕЖКА:** За регистриране на инструмента е необходима прахосмукачка Makita, която поддържа функцията за безжично активиране.

**ЗАБЕЛЕЖКА:** Преди да започнете регистрирането на инструмента, завършете монтажа на безжичното устройство към инструмента.

**ЗАБЕЛЕЖКА:** Не включвайте следните прекъсвачи по време на регистрирането на инструмента:

- пусков прекъсвач на инструмента
- превключвател на прахосмукачката на инструмента
- превключвател на захранването на прахосмукачката

**ЗАБЕЛЕЖКА:** Вижте също ръководството за експлоатация на прахосмукачката.

Ако желаете да включвате прахосмукачката със задействането на превключвателя на инструмента, завършете регистрирането на инструмента преди това.

1. Поставете батериите в прахосмукачката и инструмента.
2. Поставете превключвателя за режима на готовност на прахосмукачката в положение „AUTO“ (АВТОМАТИЧНО).  
▶ **Фиг.59:** 1. Превключвател за режим на готовност
3. Натиснете бутон за безжично активиране на прахосмукачката за 3 секунди, докато лампата за безжичното активиране започне да мига в зелено. След това по същия начин натиснете бутон за безжично активиране на инструмента.  
▶ **Фиг.60:** 1. Бутон за безжично активиране  
2. Лампа за безжичното активиране

Ако прахосмукачката и инструментът са свързани успешно, лампите за безжичното активиране ще светнат в зелено за 2 секунди и ще започнат да мигат в синьо.

**ЗАБЕЛЕЖКА:** Лампите за безжично активиране ще спрат да мигат в зелено след 20 секунди. Натиснете бутон за безжично активиране на инструмента, когато лампата за безжично активиране на прахосмукачката мига. Ако лампата за безжично активиране не мига в зелено, отново натиснете за кратко бутон за безжично активиране и го задръжте.

**ЗАБЕЛЕЖКА:** Когато извършвате две или повече регистрирания на инструменти за една прахосмукачка, завършвайте същите едно по едно.

## Стартиране на функцията за безжично активиране

**ЗАБЕЛЕЖКА:** Завършете регистрирането на прахосмукачката, преди да активирате безжичната връзка.

**ЗАБЕЛЕЖКА:** Вижте също ръководството за експлоатация на прахосмукачката.

След регистрирането на инструмент към прахосмукачката тя ще се включва автоматично при задействането на превключвателя на инструмента. Издърпайте пусковия прекъсвач на инструмента, за да включите прахосмукачката по време на работа. Прахосмукачката се включва също чрез натискане на бутона за прахосмукачката на инструмента, когато не се извършва рязане.

▶ **Фиг.61**

1. Монтирайте безжичното устройство на инструмента.
2. Свържете маркуча на прахосмукачката с инструмента.  
▶ **Фиг.62**

3. Поставете превключвателя за режима на готовност на прахосмукачката в положение „AUTO“ (АВТОМАТИЧНО).  
▶ **Фиг.63:** 1. Превключвател за режим на готовност

4. Натиснете за кратко бутон за безжично активиране на инструмента. Лампата за безжичното активиране ще мига в синьо.

▶ **Фиг.64:** 1. Бутон за безжично активиране  
2. Лампа за безжичното активиране

5. Дръпнете пусковия прекъсвач на инструмента. Проверете дали прахосмукачката работи, докато е натиснат пусковият прекъсвач.

6. Натиснете бутон за прахосмукачката, за да включите прахосмукачката. Проверете дали лампата за безжично активиране свети в синьо и прахосмукачката продължава работа, докато натиснете бутона отново.

7. За да прекратите работата на прахосмукачката, освободете пусковия прекъсвач или натиснете отново бутон за прахосмукачката. Прахосмукачката спира работа за няколко секунди след натискането на превключвателя и след това лампата започва да мига в синьо.

**ЗАБЕЛЕЖКА:** Състоянието на превключвателя (включване/изключване на прахосмукачката) може да бъде научено от лампата за безжично активиране. За подробности вижте раздела за описание на състоянието на лампата за безжично активиране.

8. За да спрете безжичното активиране на прахосмукачката, натиснете бутон за безжично активиране на инструмента.

**ЗАБЕЛЕЖКА:** Лампата за безжичното активиране ще спре да мига в синьо, когато не се работи в продължение на 2 часа. В този случай поставете превключвателя за режим на готовност на прахосмукачката в положение „AUTO“ (АВТОМАТИЧНО) и натиснете отново бутон за безжично активиране на инструмента.

**ЗАБЕЛЕЖКА:** Прахосмукачката се включва/изключва със закъснение. Има известно закъснение, когато прахосмукачката установява задействане на превключвателя на инструмента.










**ЗАБЕЛЕЖКА:** Разстоянието на предаване на безжичното устройство може да варира в зависимост от местоположението и околните условия.

**ЗАБЕЛЕЖКА:** Когато два или повече инструмента са регистрирани на една прахосмукачка, тогава прахосмукачката може да започне да работи, дори да не сте натиснали пусковия прекъсвач или включили бутона за прахосмукачка, тъй като друг потребител използва функцията за безжично активиране.

## Описание на състоянието на лампата за безжичното активиране

### ► Фиг.65: 1. Лампа за безжичното активиране

Лампата за безжичното активиране показва състоянието на функцията за безжично активиране. Значението на състоянието на лампата можете да видите в таблицата по-долу.

Състояние	Лампа за безжичното активиране				Описание
	Цвят	 Вкл.	 Мига	Продължителност	
Готовност	Синьо			2 часа	Активирането на безжичната връзка на прахосмукачката е достъпно. Лампата ще се изключи автоматично, когато не се извършва операция в продължение на 2 часа.
				Когато инструментът работи.	Активирането на безжичната връзка на прахосмукачката е достъпно и инструментът работи.
Регистриране на инструмента	Зелено			20 секунди	Готовност за регистриране на инструмента. Изчакване за регистриране на прахосмукачката.
				2 секунди	Регистрирането на инструмента е завършено. Лампата за безжичното активиране ще започне да мига в синьо.
Отмяна на регистриране на инструмента	Червено			20 секунди	Готовност за отмяна на регистрирането на инструмента. Изчакване на отмяната на регистрирането на инструмента.
				2 секунди	Отмяната на регистрирането на инструмента е завършена. Лампата за безжичното активиране ще започне да мига в синьо.
Други	Червено			3 секунди	Попада се захранване към безжичното устройство и се включва функцията за безжично активиране.
	Изкл.	–		–	Безжичното активиране на прахосмукачката е спряно.

## Отмяна на регистрирането на инструмента за прахосмукачката

Когато отменяте регистрирането на инструмента за прахосмукачката, изпълнете следващата процедура.

1. Поставете батериите в прахосмукачката и инструмента.
2. Поставете превключвателя за режима на готовност на прахосмукачката в положение „АУТО“ (АВТОМАТИЧНО).  
► Фиг.66: 1. Превключвател за режим на готовност
3. Натиснете бутона за безжично активиране на прахосмукачката за 6 секунди. Лампата за безжичното активиране мига в зелено и след това става червена. След това натиснете по същия начин бутона за безжично активиране на инструмента.  
► Фиг.67: 1. Бутон за безжично активиране  
2. Лампа за безжичното активиране

Ако отмяната е осъществена успешно, лампите за безжичното активиране ще светнат в червено за 2 секунди и ще започнат да мигат в синьо.

**ЗАБЕЛЕЖКА:** Лампите за безжично активиране ще спрат да мигат в червено след 20 секунди. Натиснете бутона за безжично активиране на инструмента, когато лампата за безжично активиране на прахосмукачката мига. Ако лампата за безжично активиране не мига в червено, отново натиснете за кратко бутона за безжично активиране и го задръжте.



## Откриване на неизправности на функцията за безжично активиране

Преди да заявите ремонт, сами извършете проверка. Ако установите проблем, който не е обяснен в ръководството, не се опитвайте да разглобявате инструмента. Вместо това го занесете в някой от оторизирани сервиси на Makita, които винаги използват за ремонтите резервни части от Makita.

Състояние на неизправност	Възможно причина (неизправност)	Мерки за отстраняване
Лампата за безжичното активиране не свети/мига.	Безжичното устройство не е монтирано в инструмента. Безжичното устройство е монтирано неправилно в инструмента.	Монтирайте правилно безжичното устройство.
	Клемата на безжичното устройство и/или гнездото са замърсени.	Внимателно забършете праха и замърсяванията върху клемата на безжичното устройство и почистете гнездото.
	Бутонът за безжично активиране на инструмента не е натиснат.	Натиснете за кратко бутона за безжично активиране на инструмента.
	Превключвателят за режима на готовност на прахосмукачката не е поставен в положение „AUTO“ (АВТОМАТИЧНО).	Поставете превключвателя за режима на готовност на прахосмукачката в положение „AUTO“ (АВТОМАТИЧНО).
	Няма захранване	Подайте захранване към инструмента и към прахосмукачката.
Не е възможно успешно завършване на регистрирането/успешна отмяна на регистрирането на инструмент.	Безжичното устройство не е монтирано в инструмента. Безжичното устройство е монтирано неправилно в инструмента.	Монтирайте правилно безжичното устройство.
	Клемата на безжичното устройство и/или гнездото са замърсени.	Внимателно забършете праха и замърсяванията върху клемата на безжичното устройство и почистете гнездото.
	Превключвателят за режима на готовност на прахосмукачката не е поставен в положение „AUTO“ (АВТОМАТИЧНО).	Поставете превключвателя за режима на готовност на прахосмукачката в положение „AUTO“ (АВТОМАТИЧНО).
	Няма захранване	Подайте захранване към инструмента и към прахосмукачката.
	Неправилна работа	Натиснете за кратко бутона за безжично активиране и изпълнете отново процедурата по регистриране/отмяна на регистрацията на инструмента.
	Инструментът е отдалечен от прахосмукачката (извън диапазона на предаване).	Приближете инструмента към прахосмукачката. Максималното разстояние на предаване на сигнала е около 10 m, но може да варира в зависимост от условията.
	Преди да завършите регистрирането/отмяната на регистрацията на инструмент; – пусковият прекъсвач на инструмента е натиснат или; – бутонът за прахосмукачка на инструмента е включен или; – бутонът на захранването на прахосмукачката е включен.	Натиснете за кратко бутона за безжично активиране и изпълнете отново процедурата по регистриране/отмяна на регистрацията на инструмента.
	Процедурите за регистриране на инструмента или прахосмукачката не са завършени.	Извършете процедурите за регистриране на инструмента и на прахосмукачката по едно и също време.
Радиосмущения от други уреди, генериращи силни радиовълни.	Дръжте инструмента и прахосмукачката далеч от уреди, като например Wi-Fi устройства и микровълнови печки.	

Състояние на неизправност	Възможно причина (неизправност)	Мерки за отстраняване
Праховсмукачката не заработва едновременно с натискането на пусковия прекъсвач на инструмента.	Безжичното устройство не е монтирано в инструмента. Безжичното устройство е монтирано неправилно в инструмента.	Монтирайте правилно безжичното устройство.
	Клемата на безжичното устройство и/или гнездото са замърсени.	Внимателно забършете праха и замърсяванията върху клемата на безжичното устройство и почистете гнездото.
	Бутонът за безжично активиране на инструмента не е натиснат.	Натиснете за кратко бутона за безжично активиране и се уверете, че лампата за безжичното активиране мига в синьо.
	Превключвателят за режима на готовност на праховсмукачката не е поставен в положение „AUTO“ (АВТОМАТИЧНО).	Поставете превключвателя за режима на готовност на праховсмукачката в положение „AUTO“ (АВТОМАТИЧНО).
	За праховсмукачката са регистрирани повече от 10 инструмента.	Извършете отново регистриране на инструмента. Ако за праховсмукачката са регистрирани повече от 10 инструмента, най-рано регистрираният инструмент ще бъде елиминиран автоматично.
	Праховсмукачката не е регистрирала успешно инструментите.	Обновете регистрирането на инструмента.
	Праховсмукачката е изтрила всички регистрирания на инструменти.	Извършете отново регистриране на инструмента.
	Няма захранване	Подайте захранване към инструмента и към праховсмукачката.
	Инструментът е отдалечен от праховсмукачката (извън диапазона на предаване).	Приближете инструмента към праховсмукачката. Максималното разстояние на предаване на сигнала е около 10 m, но може да варира в зависимост от условията.
	Радиосмущения от други уреди, генериращи силни радиовълни.	Дръжте инструмента и праховсмукачката далеч от уреди, като например Wi-Fi устройства и микровълнови печки.
Праховсмукачката работи, когато не са активирани превключватели на инструмента.	Други потребители използват безжичното активиране на праховсмукачката.	Изключете бутона за безжично активиране на другите инструменти или анулирайте регистрирането на другите инструменти.

## ПОДДРЪЖКА

**▲ ПРЕДУПРЕЖДЕНИЕ:** Преди да извършвате проверка или поддръжка на инструмента, се уверете, че той е изключен и акумулаторната батерия е извадена. Ако не извадите акумулаторната батерия и не изключите инструмента, това може да доведе до непреднамерено стартиране на инструмента, което да предизвика сериозно телесно нараняване.

**▲ ПРЕДУПРЕЖДЕНИЕ:** Винаги проверявайте дали циркулярният диск е заточен и чист, за да си гарантирате най-добра и най-безопасна работа. Опитът за рязане със затъпен и/или замърсен режещ диск може да предизвика откат и да причини сериозно телесно нараняване.

**БЕЛЕЖКА:** Не използвайте бензин, нафта, разреждател, спирт и др. подобни. Това може да причини обезцветяване, деформация или пукнатини.

За да се поддържа БЕЗОПАСНОСТТА и НАДЕЖДНОСТТА на продукта, ремонтите, поддръжката или регулирането трябва да се извършват от упълномощен сервиз или фабрични сервизни центрове на Makita, като винаги трябва да използвате резервни части от Makita.

## Регулиране на ъгъла на рязане

Този инструмент е внимателно регулиран и центрован в завода производител, но грубата работа с него може да се отрази на настройките му. Ако вашият инструмент не е центрован правилно, направете следното:

### Ъгъл на рязане

Завъртете ръкохватката обратно на часовниковата стрелка и подгответе основата за функцията „неподвижен упор“ с помощта на освобождаващото лостче. След това разхлабете винтовете, които фиксират показалеца и скалата за ъгъла на рязане.

► **Фиг.68:** 1. Дръжка 2. Освобождаващо лостче 3. Завинтвац се показалец 4. Винтове на скалата за ъгъла на рязане 5. Скала за ъгъла на рязане

Установете въртящата се основа в позиция 0° чрез функцията „неподвижен упор“. Осигурете перпендикулярност на челото на циркулярния диск към стената на водещия ограничител чрез триъгълник или дърводелския ъгъл. Като държите дърводелския ъгъл, завинтете винтовете на скалата за ъгъла на рязане. След това подравнете показалеца с позицията 0° на скалата за ъгъла на рязане и затегнете винта на показалеца.

► **Фиг.69:** 1. Триъгълник 2. Показалец

## Ъгъл на скосяване

### 0° ъгъл на рязане под наклон

Натиснете носача към водещите ограничители и блокирайте плъзгащото движение със застопоряващия щифт. Спуснете напълно носача и го блокирайте в спуснатото положение със застопоряващия щифт. Завъртете регулатора на дръжката обратно на часовниковата стрелка и след това завъртете болта за регулиране на 0° два или три оборота обратно на часовниковата стрелка, за да наклоните циркулярния диск надясно.

► **Фиг.70:** 1. Регулатор на дръжката 2. Болт за регулиране на 0° 3. Винт на показалеца

Внимателно осигурете перпендикулярност на страната на циркулярния диск с горната повърхност на въртящата се основа чрез триъгълник, дърводелски ъгъл и др., чрез въртене на болта за регулиране на 0° по часовниковата стрелка. След това затегнете регулатора на дръжката здраво, за да застопорите настройения ъгъл 0°.

► **Фиг.71:** 1. Триъгълник 2. Циркулярен диск 3. Горна повърхност на въртящата се основа

Проверете още веднъж перпендикулярността на циркулярния диск по отношение на горната повърхност на въртящата се основа. Разхлабете винта на показалеца и след това подравнете показалеца с позицията 0° на скалата за ъгъла на рязане и затегнете винта на показалеца.

### 45° ъгъл на рязане под наклон

**БЕЛЕЖКА:** Преди да регулирате ъгъла на накланяне 45°, завършете регулирането на ъгъла на накланяне 0°.

Разхлабете регулатора на дръжката и наклонете докрай носача към страната, която желаете да проверите. Проверете дали показалецът показва позицията 45° на скалата за ъгъла на накланяне.

► **Фиг.72:** 1. Регулатор на дръжката

Ако показалецът не показва позиция 45°, подравнете го с позицията 45° чрез въртене на болта за регулиране.

► **Фиг.73:** 1. Болт за регулиране на 45° надясно 2. Болт за регулиране на 45° наляво

### Почистване на лещата на лампата

**БЕЛЕЖКА:** Не махайте винта, който закрепва лещата. Ако лещата не излиза, допълнително разхлабете винта.

**БЕЛЕЖКА:** Използвайте суха кърпа, за да изчистите полепналата по лещата на лампата мръсотия. Внимавайте да не надраскате лещата на лампата, тъй като това ще влоши осветяването.

**БЕЛЕЖКА:** Не използвайте за лещата разтворители или някакви почистващи препарати на петролна основа.

Светодиодната светлина се вижда трудно, тъй като лещата на светлината е замърсена. Редовно почиствайте лещата. Извадете акумулаторната батерия. Разхлабете винта и издърпайте лещата. Почистете лещата внимателно с влажна мека кърпа.

► **Фиг.74:** 1. Винт 2. Леща

## След работа

След работа избършете стърготините и праха, полепнали по инструмента, с кърпа или нещо подобно. Поддържайте предпазителя на режещия диск чист в съответствие с инструкциите в горния раздел за предпазителя на режещия диск. Смазвайте плъзгащите се части с машинно масло, за да предотвратите образуване на ръжда.

## ДОПЪЛНИТЕЛНИ АКСЕСОАРИ

**▲ПРЕДУПРЕЖДЕНИЕ:** Препоръчва се използването на тези аксесоари или крайници с вашия инструмент Makita, описан в настоящото ръководство. Използването на други аксесоари или крайници може да доведе до сериозно нараняване.

**▲ПРЕДУПРЕЖДЕНИЕ:** Използвайте аксесоарите или приставките Makita само по тяхното предназначение. Неправилната употреба на аксесоари или приставки може да доведе до сериозно нараняване.

Ако имате нужда от помощ за повече подробности относно тези аксесоари, се обърнете към местния сервизен център на Makita.

- Режещи дискове с карбидно покритие
- Вертикално менгеме
- Хоризонтално менгеме
- Торбичка за прах
- Триъгълник
- Шестостенен ключ
- Безжично устройство
- Комплекти стойки
- Оригинална акумулаторна батерия и зарядно устройство на Makita

**ЗАБЕЛЕЖКА:** Някои артикули от списъка може да са включени в комплекта на инструмента, като стандартни аксесоари. Те може да са различни в различните държави.

## SPECIFIKACIJE

Model:	LS002G
Promjer lista	216 mm
Promjer (ovisno o državi) rupe (osovina)	15,88 mm / 25,4 mm / 30 mm
Maks. debljina ureza lista pile	2,4 mm
Maks. kut reza	Lijevo 60°, Desno 60°
Maks. kut nagiba	Lijevo 48°, Desno 48°
Brzina bez opterećenja	4.800 min <sup>-1</sup>
Dimenzije (D x Š x V)	702 mm x 551 mm x 557 mm
Nazivni napon	DC 36 V - 40 V
Neto težina	16,4 - 17,0 kg

- Zahvaljujući našem stalnom programu razvoja i istraživanja, navedene specifikacije podložne su promjenama bez obavijesti.
- Specifikacije mogu biti različite ovisno o zemlji.
- Težina se može razlikovati ovisno o opremi, uključujući baterijski uložak. Najlakša i najteža kombinacija, sukladno postupku EPTA 01/2014, prikazane su u nastavku.

### Odgovarajući baterijski uložak i punjač

Baterija	BL4025 / BL4040
Punjač	DC40RA

- Neki od navedenih baterijskih uložaka i punjača možda neće biti dostupni ovisno o regiji u kojoj se nalazite.






**⚠ UPOZORENJE:** Upotrebite samo navedene baterijske uloške i punjače. Upotreba bilo koje druge vrste baterijskih uložaka i punjača može prouzročiti ozljede i/ili požar.

### Rezni kapaciteti (V x Š) listom promjera 216 mm

Kut za pravokutni spoj	Kut kutnog reza		
	45° (lijevo)	0°	45° (desno)
0°	50 mm x 312 mm	70 mm x 312 mm	30 mm x 312 mm
45° (lijevo i desno)	50 mm x 220 mm	70 mm x 220 mm	30 mm x 220 mm
60° (lijevo i desno)	–	70 mm x 155 mm	–

### Simboli

U nastavku su prikazani simboli koji se upotrebljavaju za opremu. Prije korištenja provjerite jeste li razumjeli njihovo značenje.

	Pročitajte priručnik s uputama.
	Nakon rezanja nastavite držati glavu pile prema dolje, dok se list u potpunosti ne zaustavi, kako biste izbjegli ozljede zbog letećih strugotina.
	Prilikom kliznog rezanja prvo u potpunosti povucite kućište i pritisnite ručku, a zatim gurnite kućište prema vodilici.
	Prilikom kutnog rezanja, prvo otpustite regulator na ručki i nagnite kućište pod željenim kutom, a zatim pritegnite regulator na ručki.
	Kada oštricu nagibate preko raspona od 0° - 45°, okrenite ručicu za 48° kuta reza u smjeru kazaljke na satu.



Nemojte stavljati ruku ili prste blizu lista.



Nosite zaštitne naočale.



Ne gledajte izravno u radnu svjetiljku.



Samo za države EU  
Nemojte odlagati električnu opremu ili bateriju zajedno s kućnim otpadom! Sukladno europskim direktivama o otpadnoj električnoj i elektroničkoj opremi, baterijama i akumulatorima te otpadnim baterijama i akumulatorima te njihovoj primjeni sukladno nacionalnim zakonima, električna oprema i baterije na kraju vijeka trajanja moraju se zasebno prikupiti i vratiti u ekološki kompatibilno postrojenje za recikliranje.

## Namjena

Alat je namijenjen za točno ravno i nagibno rezanje u drvu.

Nemojte koristiti pilu za rezanje drugih materijala osim drva, aluminija i sličnih materijala.

## Buka

Tipična jačina buke označena s A, određena skladno EN62841-3-9:

Razina tlaka zvuka ( $L_{pA}$ ): 89 dB (A)

Razina snage zvuka ( $L_{WA}$ ): 100 dB (A)

Neodređenost (K): 3 dB (A)

**NAPOMENA:** Deklarirana vrijednost emisije buke izmjerena je prema standardnoj metodi testiranja i može se rabiti za usporedbu jednog alata s drugim.

**NAPOMENA:** Deklarirana vrijednost emisije buke također se može rabiti za preliminarnu procjenu izloženosti.

**⚠ UPOZORENJE:** Nosite zaštitu za uši.

**⚠ UPOZORENJE:** Emisija buke tijekom stvarnog korištenja električnog ručnog alata se može razlikovati od deklariranih vrijednosti emisije, ovisno o načinu na koji se alat rabi, posebice ovisno o tome kakav se izradak izrađuje.

**⚠ UPOZORENJE:** Nemojte zaboraviti da identifikirate sigurnosne mjere zaštite rukovatelja koje se temelje na procjeni izloženosti u stvarnim uvjetima korištenja (uzimajući u obzir sve dijelove radnog ciklusa, poput vremena kada je alat isključen i kada on radi u praznom hodu, a također i vrijeme okidanja).

## Izjava o sukladnosti EZ

*Samo za države članice Europske unije*

Izjava o sukladnosti EZ u privitku je Priloga A ovih uputa za upotrebu.

## SIGURNOSNA UPOZORENJA

### Opća sigurnosna upozorenja za električne ručne alate

**⚠ UPOZORENJE:** Pročitajte sva sigurnosna upozorenja, upute, ilustracije i specifikacije priložene uz ovaj električni ručni alat. Nepridržavanje svih uputa navedenih u nastavku može rezultirati strujnim udarom, požarom i/ili ozbiljnim ozljedama.

### Sačuvajte sva upozorenja i upute radi kasnijeg korištenja.

Pojam „električni alat“ u upozorenjima odnosi se na električni (kabelski) alat uključen u struju ili na bežične električne alate (na baterije).

## Sigurnosne upute za potezno-nagibne pile

- Potezno-nagibne pile namijenjene su za rezanje drva i drvenih proizvoda te se ne smiju upotrebljavati u kombinaciji s abrazivnim reznim pločama za rezanje željeznih materijala kao što su poluge, šipke, klinovi itd.** Abrazivna prašina može prouzročiti zaglavljivanje pomičnih dijelova, npr. donjeg štitnika. Donji štitnik, urezni umetak i drugi plastični dijelovi zapaliti će se uslijed iskrenja nastalog od abrazivnog rezanja.
  - Kad god je to moguće, upotrijebite stezaljke za pridržavanje izratka.** Prilikom ručnog pridržavanja izratka ruku uvijek držite na udaljenosti od najmanje 100 mm od svake strane lista pile. **Nemojte upotrebljavati ovu pilu za rezanje komada pre-malenih ili čvrsto stezanje ili ručno pridržavanje.** Ako ruku postavite preblizu listu pile, postoji velika opasnost od ozljede uslijed dodira s listom.
  - Izradak mora biti nepomičan i stegnut ili prislonjen uz vodilicu i stol.** Nemojte primicati izradak listu ili na bilo koji način rezati „slobodnim rukama“. Nepričvršćeni ili pomični izratci mogu se izbaciti velikom brzinom i prouzročiti ozljede.
  - Gurajte pilu kroz izradak. Nemojte povlačiti pilu kroz izradak. Da biste napravili rez, podignite glavu pile i izvucite je preko izratka bez rezanja, pokrenite motor, pritisnite glavu pile prema dolje i gurajte pilu kroz izradak.** Rezanje uz povlačenje može dovesti do iskakanja lista pile na vrh izratka i naglog izbacivanja sklopa lista prema rukovatelju.
  - Nikada nemojte postavljati ruku poprečno u odnosu na liniju reza, ispred ili iza lista pile.** Pridržavanje izratka „poprečno“, odnosno pridržavanje izratka lijevom rukom prema desnoj strani lista pile ili obratno vrlo je opasno.
- SI.1
- Dok se list okreće, nemojte posezati iza vodilice držeći ruku na udaljenosti manjoj od 100 mm od bilo koje strane lista pile da biste uklonili otpatke od drveta ili iz bilo kojeg drugog razloga.** Možda nećete biti svjesni male udaljenosti rotirajućeg lista pile od vaše ruke, a to može dovesti do ozbiljnih ozljeda.
  - Pregledajte izradak prije rezanja.** Ako je izradak savijen ili iskrivljen, stegnite ga tako da vanjski savijeni dio bude okrenut prema vodilici. Uvijek pripazite da duž linije reza nema razmaka između izratka, vodilice i stola. Savijeni ili iskrivljeni izratci mogu se uvrtni ili pomaknuti i zbog toga saviti na rotirajućem listu tijekom rezanja. Na izratku ne smije biti čavala ni stranih predmeta.
  - Nemojte upotrebljavati pilu dok sa stola ne uklonite sve alate, otpatke od drveta itd., osim izratka.** Sitni ostaci ili labavi dijelovi drveta ili pak drugi predmeti koji dolaze u dodir s rotirajućim listom mogu se izbaciti velikom brzinom.
  - Režite jedan po jedan izradak.** Više naslaganih izradaka nije moguće pravilno stegnuti ili uhvatiti te se tijekom rezanja mogu saviti na listu ili pomaknuti.
  - Prije uporabe provjerite je li potezno-nagibna pila montirana ili postavljena na ravnu i čvrstu radnu površinu.** Ravna i čvrsta radna površina umanjuje opasnost od nestabilnosti potezno-nagibne pile.

11. **Planirajte svoj rad.** Svaki put kada mijenjate postavke kuta kutnog ili nagibnog reza provjerite je li prilagodljiva vodilica ispravno postavljena kako bi služila kao potpora za izradak i pripazite da ne ometa rad lista ili sustava štitnika. Bez postavljanja alata u položaj „ON“ i bez izratka na stolu listom pile simulirajte čitav rez kako biste zajamčili da se neće pojaviti smetnje ili opasnost od rezanja vodilice.
12. **Osigurajte odgovarajuću potporu kao što su produžetci za stol, stalci za pilu itd. za izratke koji su širi ili duži od površine stola.** Izratci duži ili širi od stola potezno-nagibne pile mogu se prevrnuti ako se za njih ne osigura čvrsta potpora. Ako se odrezani komad ili izradak prevrne, donji se štitnik pritom može podići ili pak list pile može izbaciti odrezani komad ili izradak.
13. **Nemojte upotrebljavati drugu osobu kao zamjenu za produžetak za stol ili kao dodatnu potporu.** Zbog nestabilne potpore za izradak list se može saviti ili se izradak može pomaknuti tijekom rezanja te povući vas i pomagaača prema rotirajućem listu.
14. **Odrezani komad ne smije se zaglaviti ni na bilo koji način pritisnuti uz rotirajući list pile.** Ako se uglavi tj. ako se upotrebljavaju graničnici, odrezani komad mogao bi se djelovanjem lista istisnuti i naglo izbaciti.
15. **Uvijek upotrebljavajte stezaljku ili mehanizam za učvršćivanje da biste osigurali odgovarajuću potporu za okrugle materijale kao što su šipke ili cijevi.** Šipke se tijekom rezanja često zakotrljaju zbog čega se list može uglaviti i povući izradak zajedno s vašom rukom na list.
16. **Pričekajte da list postigne puni broj okretaja prije nego što dodirnete izradak.** Time se umanjuje opasnost od izbacivanja izratka.
17. **Ako se izradak ili list zaglavi, isključite potezno-nagibnu pilu.** Pričekajte da se svi pomični dijelovi zaustave i izvucite utikač iz utičnice i/ili izvadite bateriju. Zatim pokušajte ukloniti zaglavljenu materijal. Ako nastavite piliti sa zaglavljenim izratkom, možete izgubiti kontrolu ili prouzročiti oštećenja potezno-nagibne pile.
18. **Nakon dovršetka reza otpustite sklopku, držite glavu pile prema dolje i pričekajte da se list zaustavi prije nego što uklonite odrezani komad.** Posezanje rukom u blizini lista koji radi vrlo je opasno.
19. **Držite čvrsto ručku prilikom izvođenja nepotpunih rezova ili otpuštanja sklopke sve dok glava pile ne dođe u krajnji donji položaj.** Kočenje pile može dovesti do naglog povlačenja glave pile prema dolje i prouzročiti opasnost od ozljede.
20. **Rabite samo list pile promjera označenog na alatu ili navedenog u priručniku.** Upotreba lista nepropisne veličine može utjecati na zaštitu lista ili rad štitnika, što može rezultirati ozbiljnim tjelesnim ozljedama.
21. **Rabite samo listove pile nazivne brzine koja je jednaka ili veća od brzine označene na alatu.**
22. **Nemojte upotrebljavati pilu za rezanje drugih materijala osim drva, aluminijski i sličnih materijala.**
23. **(Samo za europske države) Uvijek upotrebljavajte list koji je u skladu s normom EN847-1.**

#### Dodatne upute

1. **Osigurajte radionicu od pristupa djece pomoću lokota.**
2. **Nikad nemojte stajati na alatu.** U slučaju prevrtanja alata ili nehotičnog dodira s reznim alatom može doći do ozbiljnih ozljeda.
3. **Nikada nemojte ostavljati alat da radi bez nadzora.** Isključite napajanje. Nemojte ostavljati alat bez nadzora dok se ne zaustavi od kraja.
4. **Nemojte upotrebljavati pilu bez postavljenih štitnika.** Prije svake uporabe provjerite je li štitnik lista ispravno zatvoren. Nemojte upotrebljavati pilu ako se štitnik lista ne kreće glatko i odmah zatvara. Nikada nemojte stegnuti ili postaviti štitnik lista u otvoreni položaj.
5. **Držite ruke podalje od putanje lista pile.** Izbjegavajte kontakt s listom koji radi. I dalje može uzrokovati ozbiljne ozljede.
6. **Da biste umanjili opasnost od ozljede, vratite kućište u krajnji stražnji položaj nakon svakog poprečnog rezanja.**
7. **Uvijek učvrstite sve pokretne dijelove prije nošenja alata.**
8. **Zatik zaustavljača ili ručica zaustavljača koja blokira glavu pile služi samo pri nošenju i pohrani, nikako pri rezanju.**
9. **Prije korištenja pažljivo provjerite ima li pukotina ili oštećenja na listu.** Odmah zamijenite puknuti ili oštećeni list. Ako se na listu stvrdne smola, on radi usporeno i veća je vjerojatnost da će doći do povratnog udara. Održavajte list čistim tako da ga prvo skinete s alata, a zatim očistite sredstvom za uklanjanje smole, vrućom vodom ili kerozinom. Nikada nemojte upotrebljavati benzin za čišćenje lista.
10. **Prilikom kliznog rezanja može doći do POVRATNOG UDARA.** Do POVRATNOG UDARA dolazi kada se list pile savije na izratku tijekom rezanja te se zbog toga naglo izbacuje natrag prema rukovatelju. Može doći do gubitka kontrole i ozbiljnih tjelesnih ozljeda. Ako se tijekom rezanja list počne savijati, nemojte nastaviti s rezanjem i odmah otpustite sklopku.
11. **Upotrebljavajte samo prirubnice propisane za ovaj alat.**
12. **Pazite da ne oštetite osovinu, prirubnice (posebno površinu za postavljanje) ili vijak.** Oštećenje ovih dijelova moglo bi dovesti do pucanja lista.
13. **Obavezno dobro pričvrstite rotacijsku osnovnu ploču kako se ne bi pomicala tijekom rada.** Upotrijebite rupe u osnovnoj ploči za pričvršćivanje pile na stabilnu radnu platformu ili klupu. **NIKADA nemojte upotrebljavati alat na mjestu na kojem bi se rukovatelj nalazio u nezgodnom položaju.**
14. **Otpustite blokadu osovine prije nego što uključite sklopku.**
15. **Obavezno osigurajte da list ne dodiruje rotacijsku osnovnu ploču u najnižem položaju.**
16. **Čvrsto držite ručku.** Imajte na umu da se pila lagano podiže ili spušta tijekom pokretanja i zaustavljanja.
17. **Prije uključivanja sklopke provjerite da list pile ne dodiruje izradak.**
18. **Prije nego što upotrijebite alat na samom izratku, pustite ga da radi neko vrijeme.** Obratite pažnju na vibraciju ili ljuljanje koje bi moglo ukazivati na lošu instalaciju ili loše balansirani list.

19. **Odmah prestanite s radom ako primijetite nešto neobično.**
  20. **Nemojte pokušavati zaključiti okidač u položaju „ON“.**
  21. **Uvijek upotrebljavajte opremu navedenu u ovom priručniku. Uporaba neispravnog dodatnog pribora kao što su abrazivne ploče može uzrokovati ozljede.**
  22. **Neki materijali sadrže kemikalije koje mogu biti toksične. Poduzmite potrebne mjere opreza da biste spriječili udisanje prašine i dodir s kožom. Pročitajte sigurnosno-tehnički list dobavljača materijala.**
  23. **Nemojte upotrebljavati napajanje s kabelom s ovim alatom.**
- Dodatna sigurnosna pravila za radno svjetlo
1. **Nemojte izravno gledati u svjetlo ili izvor svjetlosti.**

## ČUVAJTE OVE UPUTE.

**⚠A UPOZORENJE:** NEMOJTE dozvoliti da udobnost ili znanje o proizvodu (stečeno stalnim korištenjem) zamijene strogo pridržavanje sigurnosnih propisa za određeni proizvod. ZLOUPORABA ili nepridržavanje sigurnosnih propisa navedenih u ovom priručniku s uputama mogu prouzročiti ozbiljne ozljede.

### Važne sigurnosne upute za bateriju

1. **Prije uporabe baterije pročitajte sve upute i oznake upozorenja na (1) punjaču za baterije, (2) bateriji i (3) proizvodu koji koristi bateriju.**
  2. **Nemojte rastavljati ili izmjenjivati baterijski uložak. To može dovesti do požara, pretjeranog zagrijavanja ili eksplozije.**
  3. **Ako se vrijeme rada znatno skratilo, odmah prestanite raditi. Može doći do pregrijavanja, mogućih opeklina pa čak i eksplozije.**
  4. **Ako vam elektrolit dospije u oči, isperite ih čistom vodom i odmah se obratite liječniku. Tako možete izgubiti vid.**
  5. **Nemojte kratko spajati bateriju:**
    - (1) **Ne dovodite terminale u kontakt s provodljivim materijalima.**
    - (2) **Ne čuvajte bateriju u spremniku s drugim metalnim predmetima poput čavala, kovanica itd.**
    - (3) **Ne izlažite bateriju vodi ili kiši.**
  6. **Kratki spoj baterije može uzrokovati velik protok struje, pregrijavanje, moguće opeklina pa čak i kvar.**
  7. **Ne držite i ne upotrebljavajte alat i baterijski uložak na mjestima gdje temperatura može premašiti 50 °C (122 °F).**
  8. **Ne spaljujte bateriju čak ni ako je ozbiljno oštećena ili potpuno istrošena. Baterija može eksplodirati u vatri.**
  9. **Nemojte zabijati čavle u baterijski uložak, rezati ga, gnječiti, bacati ili udarati tvrdim predmetom. Ti postupci mogu dovesti do požara, pretjeranog zagrijavanja ili eksplozije.**
  10. **Ne koristite oštećene baterije.**
10. **Sadržane litij-ionske baterije podliježu odredbama zakonskih propisa o opasnim tvarima.** Kada se radi o komercijalnom transportu koji obavljaju npr. dobavljači ili špediteri, moraju se poštovati posebni zahtjevi na pakiranju i oznakama. Prilikom pripreme isporuke takve stavke potražite savjet stručnjaka za opasne tvari. Pogledajte i moguće detaljnije nacionalne propise. Prekrijte trakom ili zaštitite otvorene kontakte i bateriju zapakirajte tako da se ne može pomicati u pakiranju.
  11. **Kada odlažete baterijski uložak u otpad, uklonite ga iz alata i zbrinite na sigurnom mjestu. Pridržavajte se lokalnih zakonskih propisa za zbrinjavanje baterija.**
  12. **Upotrebljavajte baterije samo s proizvodima koje je odobrila tvrtka Makita.** Umetanje baterija u neprimkladne proizvode može dovesti do požara, prekomjerne topline, eksplozije ili curenja elektrolita.
  13. **Ako se alat ne upotrebljava dulje vrijeme, bateriju morate ukloniti iz alata.**
  14. **Tijekom i nakon upotrebe baterijski uložak može se zagrijati i prouzročiti opeklina višeg ili nižeg stupnja. Pažljivo rukujte vrućim baterijskim ulošcima.**
  15. **Nemojte dirati priključak alata neposredno nakon upotrebe jer se može zagrijati toliko da prouzroči opeklina.**
  16. **Ne dopustite da krhotine, prašina ili zemlja zapnu u priključcima, otvorima i urezima baterijskog uloška. To može dovesti do neispravnog rada ili kvara alata ili baterijskog uloška.**
  17. **Ako alat ne podržava upotrebu u blizini visokonaponskih električnih vodova, nemojte upotrebljavati baterijski uložak u blizini a visokonaponskih električnih vodova. To može dovesti do neispravnog rada ili kvara alata ili baterijskog uloška.**
  18. **Bateriju čuvajte podalje od djece.**

## ČUVAJTE OVE UPUTE.

**⚠OPREZ:** Uvijek upotrebljavajte originalne baterije Makita. Upotreba baterija koje nisu originalne baterije Makita ili su izmijenjene može dovesti do rasprskavanja baterije i uzrokovati požar, tjelesnu ozljedu ili štetu. To će također poništiti jamstvo tvrtke Makita za alat i punjač Makita.

## Savjeti za održavanje najduljeg vijeka trajanja baterije

1. **Napunite bateriju prije nego što se potpuno isprazni. Uvijek zaustavite alat i napunite bateriju kad primijetite da alat slabije radi.**
2. **Nikad ne punite već do kraja napunjenu bateriju. Pretjerano punjenje skraćuje radni vijek baterije.**
3. **Bateriju puniti na sobnoj temperaturi između 10 °C i 40 °C. Vruću bateriju prije punjenja ostavite da se ohladi.**
4. **Kada ne upotrebljavate baterijski uložak, uklonite ga iz alata ili punjača.**
5. **Napunite bateriju ako je ne mislite koristiti duže vrijeme (duže od 6 mjeseci).**

## Važne sigurnosne upute za bežičnu jedinicu

- Nemojte rastavljati ili izmjenjivati bežičnu jedinicu.
- Držite bežičnu jedinicu podalje od male djece. U slučaju gutanja odmah potražite liječničku pomoć.
- Bežičnu jedinicu upotrebljavajte samo s alatima Makita.
- Ne izlažite bežičnu jedinicu kiši ni vlazi.
- Nemojte upotrebljavati bežičnu jedinicu na mjestima na kojima temperatura premašuje 50 °C.
- Nemojte upotrebljavati bežičnu jedinicu na mjestima na kojima se nalaze medicinski instrumenti, npr. ako su u blizini pejsmejerki.
- Nemojte upotrebljavati bežičnu jedinicu na mjestima na kojima se nalaze automatski uređaji. Ako automatski uređaji rade, može doći do kvara ili poremećaja.
- Nemojte upravljati bežičnom jedinicom na mjestima s visokom temperaturom ili na mjestima gdje može doći do statičkog elektriciteta ili električnog šuma.
- Bežična jedinica može proizvesti elektromagnetska polja (EMP), ali ona nisu štetna za korisnika.
- Bežična je jedinica precizan instrument. Pazite da vam bežična jedinica ne ispadne ili da je ne udarite.
- Izbjegavajte dodirivati priključak bežične jedinice golim rukama ili metalnim predmetima.
- Uvijek uklonite bateriju iz proizvoda pri umetanju bežične jedinice.
- Kad otvarate poklopac utora, izbjegavajte mjesta na kojima može doći do ulaska prašine i vode u utor. Uvijek održavajte ulaz utora čistim.
- Uvijek umetnite bežičnu jedinicu u ispravan smjeru.
- Nemojte pritiskati gumb za aktivaciju bežične jedinice prejako i/ili ga pritiskati predmetom koji ima oštar rub.
- Uvijek zatvorite poklopac utora prilikom rada.
- Nemojte uklanjati bežičnu jedinicu iz utora dok je aktivno napajanje alata. U protivnom može doći do kvara bežične jedinice.
- Nemojte uklanjati naljepnicu s bežične jedinice.
- Nemojte stavljati bilo kakve naljepnice na bežičnu jedinicu.
- Nemojte ostavljati bežičnu jedinicu na mjestu gdje može doći do statičkog elektriciteta ili električnog šuma.
- Nemojte ostavljati bežičnu jedinicu na mjestu izloženom velikoj toplini, primjerice na sjedalu u automobilu izloženom suncu.
- Nemojte ostavljati bežičnu jedinicu na prašnjavom mjestu ili na mjestu gdje može nastati korozivni plin.
- Iznenadna promjena temperature može izazvati rošenje bežične jedinice. Nemojte upotrebljavati bežičnu jedinicu dok se potpuno ne osuši.
- Prilikom čišćenja bežične jedinice nježno je obrišite suhom i mekanom krpom. Nemojte upotrebljavati benzin, razrjeđivač, provodljivu mast ili slično.
- Bežičnu jedinicu pohranite u priloženoj kutiji ili antistatičkom spremniku.
- Nemojte umetati bilo kakve uređaje osim bežične jedinice Makita u utor na alatu.
- Nemojte upotrebljavati alat ako je poklopac utora oštećen. Voda, prašina i prljavština mogu prodirjeti u utor i prouzročiti kvar.
- Nemojte povlačiti i/ili izvijati poklopac utora više nego što je potrebno. Vratite poklopac ako spadne s alata.
- Zamijenite poklopac utora ako ga izgubite ili oštetite.

## ČUVAJTE OVE UPUTE.

## OPIS DIJELOVA

### ► SI.2

1	Imbus ključ	2	Vijak za prilagođavanje (za maksimalni kapacitet rezanja)	3	Vijak za prilagođavanje (za donji granični položaj)	4	Ručica zaustavljača
5	Gumb za aktivaciju bežične jedinice	6	Žaruljica aktivacije bežične jedinice	7	Gumb usisivača	8	Gumb žaruljice
9	Štitnik oštrica	10	Ureзна ploča	11	Drška (za rotacijsku osnovnu ploču)	12	Regulator na ručki (za kut kutnog reza)
13	Ručica za otpuštanje (za rotacijsku osnovnu ploču)	14	Vijak za prilagođavanje (za rotacijsku osnovnu ploču)	15	Vodilica	16	Pokazivač (za kut nagibnog reza)
17	Mjerač kuta nagibnog reza	18	Rotacijska osnovna ploča	19	Podstol	20	Okomiti škripac
21	Ručica za otpuštanje (za desni kut kutnog reza)	22	Vijak za prilagođavanje od 45° (za desni kut kutnog reza)	23	Vijak za prilagođavanje od 0° (za kut kutnog reza)	24	Vodilica za prašinu
25	Mjerač desnog kuta kutnog reza	26	Pokazivač (za desni kut kutnog reza)	27	Zatik zaustavljača (za klizno pomicanje kućišta)	28	Šipka za klizanje
29	Poklopac (za bežičnu jedinicu)	-	-	-	-	-	-



### ► SI.3

1	Rupa za lokot	2	Uključno/isključna sklopka	3	Gumb za deblokadu	4	Ručka za nošenje
5	Baterijski uložak	6	Crijevo za uklanjanje prašine	7	Mjerač lijevog kuta kutnog reza	8	Pokazivač (za lijevi kut kutnog reza)
9	Ručica za otpuštanje (za kut kutnog reza od 48°)	10	Vijak za prilagođavanje od 45° (za lijevi kut kutnog reza)	11	Blokada vretena	12	Vreća za prašinu (kada se zamjenjuje s crijevom za uklanjanje prašine)

## INSTALACIJA

### Postavljanje na stol

**▲ UPOZORENJE:** Provjerite da se alat ne pomiče na potpornoj površini. Pomicanje poterno-nagibne pile na potpornoj površini tijekom rezanja može uzrokovati gubitak kontrole i ozbiljne tjelesne ozljede.

1. Vijcima učvrstite osnovnu ploču na ravnu i stabilnu površinu. Na taj ćete način spriječiti prevrtanje i moguće ozljede.

► **SI.4:** 1. Vijak 2. Otvor za postavljanje

2. Okrenite vijke za prilagođavanje u smjeru kazaljke na satu ili suprotno od smjera kazaljke na satu tako da dodiruju površinu poda i stabiliziraju stol.

► **SI.5:** 1. Vijak za prilagođavanje

### Postavljanje crijeva za uklanjanje prašine

Spojite crijevo za uklanjanje prašine s alatom kao što je prikazano na slici.

Provjerite jesu li konektor i rukavac ispravno postavljeni u ulaze alata.

► **SI.6:** 1. Crijevo za uklanjanje prašine 2. Konektor 3. Rukavac 4. Ulaz

Da biste uklonili konektor iz priključka, povucite konektor dok pritišćete gumb za blokadu.

Da biste rukavac izvadili iz priključka, okrenite ga u smjeru kazaljke na satu i zatim razdvojite.

► **SI.7:** 1. Konektor 2. Gumb za blokadu 3. Rukavac 4. Ulaz

## FUNKCIONALNI OPIS

**▲ UPOZORENJE:** Prije prilagođavanja ili provjere funkcija alata obavezno isključite alat i uklonite bateriju. Ako ne isključite alat i ne uklonite bateriju, može doći do ozbiljne tjelesne ozljede zbog slučajnog pokretanja.

### Umetanje ili uklanjanje baterije

**▲ OPREZ:** Uvijek isključite alat prije umetanja ili uklanjanja baterije.

**▲ OPREZ:** Čvrsto držite alat i bateriju pri umetanju ili uklanjanju baterije. Ako alat i bateriju ne držite čvrsto, mogli bi vam iskliznuti iz ruku te oštetiti alat i bateriju ili uzrokovati osobnu ozljedu.

► **SI.8:** 1. Crvena oznaka 2. Gumb 3. Baterija

Za uklanjanje bateriju gurnite van iz alata pritiskom gumba na prednjoj strani uloška.

Za umetanje baterijskog uloška poravnajte jezičac na baterijskom ulošku s utorom na kućištu i gurnite ga na mjesto. Umetnite baterijski uložak do kraja dok ne sjedne na svoje mjesto uz mali klik. Ako možete vidjeti crvenu oznaku na gornjoj strani gumba, baterijski uložak nije do kraja sjeo na svoje mjesto.

**▲ OPREZ:** Uvijek umetnite baterijski uložak do kraja tako da ne možete vidjeti crvenu oznaku. U suprotnom može slučajno ispasti iz alata, što može dovesti do ozljede vas ili nekog u blizini.

**▲ OPREZ:** Ne umećite bateriju silom. Ako baterija ne klizne lagano, znači da nije ispravno umetnuta.

### Sustav zaštite alata/baterije

Ovaj alat sadrži sustav zaštite alata/baterije. Sustav automatski prekida napajanje motora da bi produžio vijek trajanja alata i baterije. Alat automatski prestaje raditi ako se alat ili baterija nađu u nekom od sljedećih uvjeta:

### Zaštita od preopterećenja

Ako se alatom/baterijom rukuje na način koji dovodi do neuobičajeno velike potrošnje struje, alat se automatski zaustavlja. U tom slučaju, isključite alat i prestanite ga upotrebljavati na način koji je izazvao preopterećenje. Zatim uključite alat kako biste ga ponovno pokrenuli.

### Zaštita od pregrijavanja

Kad se alat/baterija pregrije, automatski se zaustavlja. U toj situaciji pustite da se alat/baterija ohladi, a tek onda opet uključite alat.









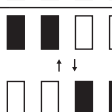
## Zaštita od prekomjernog pražnjenja

Ako je kapacitet baterije prenizak, alat se automatski zaustavlja. Ako proizvod ne radi ni nakon djelovanja na prekidače, uklonite baterije iz alata i napunite ih.

### Prikaz preostalog kapaciteta baterije

Pritisnite gumb za provjeru na bateriji kako biste provjerili preostali kapacitet baterije. Žaruljica indikatora zasvijetlit će na nekoliko sekundi.

► **SI.9:** 1. Žaruljice indikatora 2. Gumb za provjeru

Žaruljice indikatora			Preostali kapacitet
 Svjetli	 Isključeno	 Treperi	
			75 % do 100 %
			50 % do 75 %
			25 % do 50 %
			0 % do 25 %
			Napunite bateriju.
			Baterija je možda neispravna.

**NAPOMENA:** Ovisno o uvjetima upotrebe i temperaturi okoline, prikaz indikatora može se donekle razlikovati od stvarnog kapaciteta.

**NAPOMENA:** Prva (krajnja lijeva) žaruljica indikatora treperit će dok radi sustav za zaštitu baterije.

## Brava ručke

**OPREZ:** Uvijek držite ručku tijekom otpuštanja igle zaustavljača. U suprotnom će ručka poskočiti i može uzrokovati ozljede.

Prilikom isporuke alata ručka je zaključana u spuštеноm položaju pomoću zatika zaustavljača. Ručku otpustite tako da povučete zatik zaustavljača i zakrenete ga za 90° dok lagano spuštate ručku.

► **SI.10:** 1. Blokirani položaj 2. Deblokirani položaj 3. Zatik zaustavljača

## Blokada klizanja

Povucite zatik zaustavljača i zakrenite ga za 90° u deblokirani položaj da biste omogućili slobodno pomicanje kućišta. Klizno pomicanje kućišta blokirajte tako da kućište gurate prema kraku dok se ne zaustavi, a zatim zatik zaustavljača vratite u blokirani položaj.

► **SI.11:** 1. Blokirani položaj 2. Deblokirani položaj 3. Zatik zaustavljača 4. Krak

## Štitnik lista

**UPOZORENJE:** Nikada nemojte pritisnuti ili uklanjati štitnik lista ili oprugu koja je spojena na štitnik. Nezaštićeni list može uzrokovati ozbiljne tjelesne ozljede tijekom rada.

**UPOZORENJE:** Nikada nemojte koristiti alat ako su štitnik lista ili opruga oštećeni, neispravni ili uklonjeni. Korištenje alata s oštećenim, neispravnim ili uklonjenim štitnikom može uzrokovati ozbiljne tjelesne ozljede.

**OPREZ:** Uvijek pazite da je štitnik lista pile u dobrom stanju kako biste mogli sigurno rukovati alatom. Smjesta prekinite korištenje alata ako postoji bilo kakva nepravilnost na štitniku lista. Provjerite povratnu oprugom potpomognutu radnju štitnika.

Prilikom spuštanja ručke štitnik lista automatski se podiže. Štitnik je zategnut oprugom i vraća se na izvorni položaj nakon reza i podizanja ručke.

► **SI.12:** 1. Štitnik lista

## Čišćenje

Ako se zaprlja prozirni štitnik lista ili piljevina prljanja uz njega tako da list i/ili izradak više nisu dobro vidljivi, izvadite baterijski uložak i pažljivo očistite štitnik vlažnom krpom. Nemojte upotrebljavati otapala ili sredstva za čišćenje na bazi nafte na plastičnom štitniku jer to može oštetiti štitnik. Pratite navedene upute za postupnu pripremu čišćenja.

1. Provjerite je li alat isključen i je li baterijski uložak izvađen.
  2. Okrenite imbus vijak u smjeru suprotnom od kazaljke na satu pomoću priloženog imbus ključa, držeći središnji poklopac.
  3. Podignite štitnik lista i središnji poklopac.
  4. Kad završite čišćenje, vratite središnji poklopac i zategnite imbus vijak slijedeći gore navedene korake obrnutim redoslijedom.
  5. Obavezno vratite list kružne pile i centrirajte poklopac u njihove početne položaje te zategnite imbus vijak.
- **SI.13:** 1. Imbus ključ 2. Šesterokutni nasadni vijak 3. Središnji poklopac 4. Štitnik oštrica

**UPOZORENJE:** Nemojte ukloniti oprugu koja pričvršćuje štitnik lista. Ako se štitnik ošteti uslijed trošenja ili izlaganja UV svjetlu, obratite se servisnom centru tvrtke Makita za zamjenu. **NEMOJTE PRITISKATI NI UKLANJATI ŠTITNIK.**

## Postavljanje ploče za zasjek

Ovaj se alat isporučuje s ureznim pločama u rotacijskoj osnovnoj ploči kako bi se smanjilo trošenje na izlaznoj strani reza. Urezne ploče tvornički su namješteno tako da list kružne pile ne dolazi u dodir s ureznim pločama. Prije uporabe namjestite urezne ploče na sljedeći način:

1. Obavezno uklonite baterijski uložak. Zatim otpustite sve vijke (po tri s lijeve i desne strane) koji učvršćuju ureznu ploču.
- **SI.14:** 1. Rezna ploča 2. Vijak
2. Ponovno ih zategnite toliko da se rezne ploče i dalje mogu jednostavno pomicati rukom.

3. Spustite ručku do kraja, a zatim povucite i okrenite zatik zaustavljača da biste ručku blokirali u donjem položaju.

4. Povucite i okrenite zatik zaustavljača na šipci za klizanje da biste omogućili klizno pomicanje kućišta.  
▶ **SI.15:** 1. Zatik zaustavljača

5. Povucite kućište u potpunosti prema sebi.

6. Prilagodite urezne ploče tako da one samo dodiruju stranice zupca lista.  
▶ **SI.16**

▶ **SI.17:** 1. List pile 2. Zupci lista 3. Rezna ploča  
4. Rez lijevog nagiba 5. Ravni rez 6. Desni kutni rez

7. Zategnite prednje vijke (ne čvrsto).

8. Klizno pomaknite kućište do sredine između prednjeg kraja ureznih ploča i vodilica. Prilagodite urezne ploče tako da one samo dodiruju stranice zupca lista.

9. Pritegnite središnje vijke (ne čvrsto).

10. Gurnite kućište do kraja prema vodilici i zatim prilagodite urezne ploče tako da samo dodiruju stranice zupca lista.

11. Zategnite stražnje vijke (ne čvrsto).

12. Nakon namještanja ureznih ploča otpustite zatik zaustavljača brave ručke i podignite ručku. Zatim čvrsto zategnite sve vijke.

**NAPOMENA:** Nakon postavljanja kuta kutnog reza provjerite jesu li urezne ploče dobro namještene. Ispravno namještene ploče za zasjek osigurat će odgovarajuću potporu za izradak smanjujući cjepljanje izratka.

## Održavanje maksimalnog kapaciteta rezanja

Alat je tvornički postavljen da omogući maksimalni kapacitet rezanja za list pile od 216 mm.

Kada postavljate novi list kružne pile, uvijek prvo provjerite najniži položaj lista kružne pile i po potrebi ga namjestite na sljedeći način:

1. Uklonite bateriju. Zatim pritisnite kućište do kraja prema vodilici i spustite ručku u potpunosti.

▶ **SI.18:** 1. Vijak za prilagođavanje 2. Vodilica

2. Pomoću imbus ključa okrenite vijak za prilagođavanje dok list kružne pile ne bude malo ispod presjeka vodilice i gornje površine rotacijske osnovne ploče.

▶ **SI.19**

3. Rukom zakrenite list dok držite ručku u potpunosti spuštenu da biste osigurali da list kružne pile ne dodiruje nijedan dio donje osnovne ploče. Po potrebi još malo prilagodite položaj.

**⚠UPOZORENJE:** Nakon postavljanja novog lista kružne pile i dok je baterijski uložak uklonjen, pobrinite se da list kružne pile ne dođe u dodir ni s jednim dijelom donje osnovne ploče dok je ručka u potpunosti spuštena. Ako list kružne pile dođe u dodir s osnovnom pločom, može uzrokovati povratni udar i ozbiljne tjelesne ozljede.

▶ **SI.20**

## Ručica zaustavljača

Najniži položaj lista kružne pile može se jednostavno prilagoditi pomoću ručice zaustavljača. Da biste ga prilagodili, pomaknite ručicu zaustavljača u smjeru strelice kao što je prikazano na slici. Okrenite vijak za prilagođavanje tako da se list zaustavi na željenom položaju kada u potpunosti spustite ručku.

▶ **SI.21:** 1. Imbus ključ 2. Vijak za prilagođavanje 3. Ručica zaustavljača

**⚠OPREZ:** Tijekom prilagođavanja uvijek čvrsto držite ručku. Ako to ne učinite, može doći do iskakanja kućišta, što može prouzročiti ozljede.

## Prilagođavanje kuta za nagibni rez

**⚠OPREZ:** Nakon promjene kuta za pravokutni spoj uvijek učvrstite rotacijsku osnovnu ploču tako da ručica za otpuštanje okrenete u blokirani položaj čvrstim zakretanjem drške.

**NAPOMENA:** Kada zakrećete rotacijsku osnovnu ploču, obavezno podignite ručku u potpunosti.

1. Ručku okrenite u smjeru suprotnom od smjera kazaljke na satu i pritisnite ručku za otpuštanje u deblokirani položaj.

2. Ručku uhvatite i zanjžite s jedne na drugu stranu da biste okrenuli postolje.

3. Poravnajte pokazivač sa željenim kutom na mjeracu nagibnog spoja.

4. Gurnite ručku za otpuštanje u blokirani položaj i pritegnite ručku.

▶ **SI.22:** 1. Drška 2. Ručica za otpuštanje 3. Blokirani položaj 4. Deblokirani položaj 5. Pokazivač 6. Mjerač kuta nagibnog reza

## Funkcija sigurnosnih pozicija

Ova potezno-nagibna pila ima funkciju sigurnosnih pozicija. Možete brzo postaviti kut nagibnog reza desno/lijevo na 0°, 15°, 22,5°, 31,6°, 45° i 60°.

1. Okrenite bazu bližu željenog kuta sigurnosne pozicije dok ručicu za otpuštanje pritiščete u deblokirani položaj.

2. Namjerno ručicu za otpuštanje pritisnite do pola puta između blokiranog i deblokiranog položaja.

3. Okrenite bazu po željenim kutom sigurnosne pozicije dok se ne učvrsti.

4. Gurnite ručicu za otpuštanje prema gore i pritegnite ručku.

▶ **SI.23:** 1. Kut sigurnosne pozicije 2. Ručica za otpuštanje 3. Blokirani položaj 4. Deblokirani položaj 5. Drška

## Namještanje nagiba

**▲OPREZ:** Nakon promjene kuta nagiba, uvijek učvrstite krak pričežući regulator na ručki u smjeru kazaljke na satu.

**NAPOMENA:** Prije prilagođavanja kuta kutnog reza uvijek uklonite gornje vodilice i okomiti škripac.

**NAPOMENA:** Kada naginjete list kružne pile, obavezno u potpunosti podignite kućište.

**NAPOMENA:** Kada mijenjate kutove kutnog reza, obavezno ispravno postavite urezne ploče kako je objašnjeno u odjeljku za postavljanje ureznih ploča.

**NAPOMENA:** Nemojte previše pritezati regulator na ručki. U protivnom može doći do kvara mehanizma za zaključavanje kuta kutnog reza.

## Nagibanje lista kružne pile ulijevo

1. Okrenite regulator na ručki u smjeru suprotnom od smjera kazaljke na satu.
2. Otpustite ručku i kućište nagnite ulijevo.
3. Poravnajte pokazivač sa željenim kutom na mjerачu kuta kutnog reza.
4. Pritegnite regulator na ručki u smjeru kazaljke na satu da biste pričvrstili krak.  
▶ **SI.24:** 1. Regulator na ručki 2. Drška 3. Pokazivač 4. Mjerač kuta kutnog reza

## Nagibanje lista kružne pile udesno

1. Okrenite regulator na ručki u smjeru suprotnom od smjera kazaljke na satu.
2. Otpustite ručku i kućište malo nagnite ulijevo.
3. Kućište naginjite udesno dok povlačite ručku za otpuštanje za desni kut reza.
4. Poravnajte pokazivač sa željenim kutom na mjerачu kuta kutnog reza.
5. Pritegnite regulator na ručki u smjeru kazaljke na satu da biste pričvrstili krak.  
▶ **SI.25:** 1. Regulator na ručki 2. Drška 3. Ručica za otpuštanje za desni kut kutnog reza 4. Pokazivač 5. Mjerač kuta kutnog reza

## Nagibanje lista kružne pile izvan raspona od 0° - 45°

1. Okrenite regulator na ručki u smjeru suprotnom od smjera kazaljke na satu.
2. Uхватite ručku i kućište nagnite za 45° ulijevo ili udesno.
3. Malo povucite kućište i okrenite ručku za otpuštanje za kutni rez od 48° u smjeru suprotnom od smjera kazaljke na satu.
4. Kućište dodatno nagnite ulijevo ili udesno dok ručku držite otpuštenom.
5. Pritegnite regulator na ručki u smjeru kazaljke na satu da biste pričvrstili krak.  
▶ **SI.26:** 1. Regulator na ručki 2. Drška 3. Ručica za otpuštanje za kutni rez od 48°

## Uključivanje i isključivanje

**▲UPOZORENJE:** Prije umetanja baterijskih uložaka u alat uvijek provjerite radi li uključno/isključna sklopka ispravno i vraća li se u isključeni položaj nakon otpuštanja. Nemojte snažno povlačiti uključno/isključnu sklopku prije nego što pritisnete gumb za blokadu. Tako bi se mogla slomiti sklopka. Rad s alatom na kojem sklopka ne radi ispravno može dovesti do gubitka kontrole i teških tjelesnih ozljeda.

**▲UPOZORENJE:** NIKADA nemojte koristiti alat ako uključno-isključna sklopka nije u potpunosti ispravna. Svaki alat s neispravnim sklopkom IZNIMNO JE OPASAN i treba se popraviti prije daljnje uporabe jer može uzrokovati ozbiljne tjelesne ozljede.

**▲UPOZORENJE:** Gumb za blokadu NIKADA ne pritisćite tako da ga zalijepite ili na neki drugi način. Sklopka s neispravnim gumbom za blokadu može uzrokovati slučajno uključivanje i ozbiljne tjelesne ozljede.

**▲UPOZORENJE:** NIKADA ne upotrebljavajte alat ako radi i ako ste samo povukli uključno/isključnu sklopku, a da niste pritisnuli gumb za blokadu. Neispravan prekidač može uzrokovati nehotično uključivanje i ozbiljne tjelesne ozljede. Vratite alat u servisni centar uređaja Makita radi potrebnih popravka PRIJE daljnje uporabe.

- ▶ **SI.27:** 1. Uključno/isključna sklopka 2. Gumb za blokadu 3. Rupa za lokot

Da bi se spriječilo nehotično uključivanje uključno/isključne sklopke, uređaj je opremljen gumbom za blokadu. Da biste pokrenuli alat, pritisnite gumb za blokadu i potom povucite uključno/isključnu sklopku. Za zaustavljanje otpustite uključno/isključnu sklopku. Na uključno/isključnoj sklopki nalazi se rupa za umetanje lokota za blokadu alata.

**▲UPOZORENJE:** Nemojte upotrebljavati lokot s ušicom ili sajлом promjera manjeg od 6,35 mm. Manja ušica ili sajla mogle bi neispravno blokirati alat u isključenom položaju pa može doći do slučajnog pokretanja koje može prouzročiti teške tjelesne ozljede.

## Lijevanje linije reza

**▲OPREZ:** Žaruljica nije voodootporna. Žaruljicu nemojte prati u vodi niti je upotrebljavati u području u kojem ima mnogo kiše ili vlage. Na taj način može doći do strujnog udara i dima.

**▲OPREZ:** Ne dirajte leću lampice jer je vrlo vruća dok je uključena ili kratko nakon što je isključena. Može doći do opekline.

**▲OPREZ:** Lampicu ne izlažite udarcima jer može doći do oštećenja ili skraćenja radnog vijeka.

**▲OPREZ:** Nemojte izravno gledati u svjetlo ili izvor svjetlosti.

LED žarulja baca svjetlo preko lista kružne pile, a sjena lista pada na izradak i služi kao indikator linije reza kojeg ne treba kalibrirati. Pritisnite gumb žaruljice da biste uključili svjetlo. Prikazuje se linija na kojoj će list dotaknuti površinu izratka i postaje sve dublja dok se list spušta.

► **SI.28:** 1. Gumb žaruljice 2. Lampica 3. Linija reza

Indikator pomaže kod rezanja već postojeće linije reza označene na izratku.

1. Uхватite ručku i spustite list kružne pile tako da na izradak pada gusta sjena oštrice.
2. Poravnajte nacrtanu liniju reza na izratku s osjenčanom linijom reza.
3. Prema potrebi namjestite nagibne kutove i kutove kutnog reza.

**NAPOMENA:** Obavezno isključite sklopku lampice nakon upotrebe jer uključena lampica troši bateriju.

**NAPOMENA:** Svjetlo se automatski isključuje 5 minuta po prekidu rada.

## Elektroničke funkcije

### Električna kočnica

Ovaj alat opremljen je električnom kočnicom lista. Ako alat opetovano ne uspijeva brzo prekinuti rad nakon otpuštanja uključno/isključne sklopke, odnesite alat u servisni centar Makita.

### Konstantna kontrola brzine

Alat ima elektroničku kontrolu brzine što pomaže pri održavanju konstantne brzine rotacije lista čak i pod opterećenjem. Konstantna brzina rotacije lista omogućiti će postizanje ravnih rezova.

### Značajka mekog pokretanja (soft-start)

Ova funkcija omogućuje glatko pokretanje alata tako da ograničava pokretni moment.

## MONTAŽA

**⚠UPOZORENJE:** Prije rada na alatu obavezno provjerite jeste li isključili alat i uklonili bateriju. Ako ne isključite alat i ne uklonite bateriju, može doći do ozbiljne tjelesne ozljede uslijed slučajnog pokretanja.

### Spremanje imbus ključa

Kad ga ne upotrebljavate, šesterokutni ključ spremite kao što je prikazano na slici kako ga ne biste izgubili.

► **SI.29:** 1. Imbus ključ

## Uklanjanje i postavljanje lista pile

**⚠UPOZORENJE:** Uvijek obavezno isključite alat i izvadite baterijski uložak prije uklanjanja i postavljanja lista kružne pile. Slučajno uključivanje alata može uzrokovati teške tjelesne ozljede.

**⚠UPOZORENJE:** Za uklanjanje ili postavljanje lista kružne pile upotrebljavajte isključivo priloženi ključ marke Makita. U suprotnom može doći do prekomjernog ili nedovoljnog zatezanja šesterokutnog nasadnog vijka i teških tjelesnih ozljeda.

**⚠UPOZORENJE:** Nemojte upotrebljavati niti zamjenjivati dijelove koji nisu isporučeni s ovim alatom. Upotreba takvih dijelova može uzrokovati teške tjelesne ozljede.

**⚠UPOZORENJE:** Nakon postavljanja lista kružne pile provjerite je li čvrsto postavljen. Nepričvršćen list kružne pile može uzrokovati teške tjelesne ozljede.

## Uklanjanje lista

List kružne pile uklonite na sljedeći način:

1. Blokirate kucište u podignutom položaju tako da zatik zaustavljača povučete i okrenete kako je prikazano na slici.  
► **SI.30:** 1. Zatik zaustavljača
2. Upotrijebite imbus ključ da biste otpustili imbus vijak u središnji poklopac. Zatim podignite štitnik lista i središnji poklopac.  
► **SI.31:** 1. Imbus ključ 2. Imbus vijak 3. Središnji poklopac 4. Štitnik lista
3. Pritisnite tipku blokade vretena da biste zaključali vreteno i upotrijebite imbus ključ da biste otpustili imbus vijak u smjeru kazaljke na satu. Zatim uklonite šesterokutni nasadni vijak, vanjsku prirubnicu i list kružne pile.  
► **SI.32:** 1. Imbus vijak (lijevi navoj) 2. Vanjska prirubnica 3. Blokada vretena
4. Ako uklonite unutarnju prirubnicu, obavezno je postavite na vreteno tako da izbočenje nije usmjereno prema listu kružne pile. Ako nije ispravno postavljena, prirubnica će se trljati o stroj.  
► **SI.33:** 1. Vanjska prirubnica 2. List kružne pile 3. Unutarnja prirubnica 4. Imbus vijak (lijevi navoj) 5. Vreteno 6. Dio za montažu lista

## Postavljanje lista

**⚠OPREZ:** List kružne pile obavezno postavite tako da se smjer strelce na listu podudara sa smjerom one na kucištu lista. U protivnom može doći od tjelesnih ozljeda i štete na alatu i/ili izratku.

List kružne pile montirajte na sljedeći način:

1. Pažljivo postavite list kružne pile na unutarnju prirubnicu. Pripazite da smjer strelce na površini lista kružne pile odgovara smjeru strelce na kucištu lista.  
► **SI.34:** 1. Strelca
2. Montirajte vanjsku prirubnicu i šesterokutni nasadni vijak te koristite imbus ključ za pritezanje šesterokutnog nasadnog vijka (lijevi navoj) u smjeru suprotnom od smjera kazaljke na satu dok pritišćete tipku blokade vretena.

3. Vratite štitnik lista i središnji poklopac u prvotni položaj. Zatim pritegnite imbus vijak da biste učvrstili središnji poklopac.
4. Povucite i okrenite zatik zaustavljača da biste otpustili kućište iz podignutog položaja. Spustite kućište da biste provjerili kreće li se štitnik lista ispravno.

## Za alat s unutarnjom prirubnicom za list pile promjera rupe od 15,88 mm

### Ovisno o državi

Montirajte unutarnju prirubnicu na osovinu za montiranje tako da joj je udubljenje okrenuto prema van i potom postavite list kružne pile, vanjsku prirubnicu i imbus vijak.

- **SI.35:** 1. Vanjska prirubnica 2. List kružne pile  
3. Unutarnja prirubnica 4. Imbus vijak (lijevi navoj) 5. Vreteno 6. Udubljenje

## Za alat s unutarnjom prirubnicom za list pile promjera rupe koja nije 25,4 mm ili 30 mm

### Ovisno o državi

Unutarnja prirubnica ima dio za montažu lista određenog promjera na jednoj strani i dio za montažu lista drugog promjera na drugoj strani. Odaberite ispravnu stranu na kojoj se dio za montažu savršeno uklapa u rupu lista kružne pile.

- **SI.36:** 1. Vanjska prirubnica 2. List kružne pile  
3. Unutarnja prirubnica 4. Imbus vijak (lijevi navoj) 5. Vreteno 6. Dio za montažu lista

**▲OPREZ:** Dio za montažu „a” na unutarnjoj prirubnici koja je u vanjskom položaju treba se savršeno uklopiti u otvor za list kružne pile „a”. Postavljanje lista kružne pile na pogrešnoj strani može dovesti do opasnih vibracija.

## Spajanje usisavača

Kad želite čisto rezati, spojite usisivač prašine tvrtke Makita na mlaznicu za prašinu (gornji izlaz za prašinu) pomoću prednjih manšeta 24 (dodatni pribor).

- **SI.37:** 1. Prednje manšete 24 2. Crijevo 3. Usisivač

## Vreća za prašinu

**▲OPREZ:** Pri rezanju uvijek pričvrstite vreću za prašinu ili spojite usisivač prašine kako biste spriječili opasnosti povezane s prašinom.

Uporabom vrećice za prašinu rezanje je čisto, a skupljanje prašine jednostavno. Da biste pričvrstili vreću za prašinu, uklonite crijevo za uklanjanje prašine s alata i spojite vreću za prašinu i mlaznicu za prašinu (gornji izlaz za prašinu).

- **SI.38:** 1. Crijevo za uklanjanje prašine 2. Vreća za prašinu 3. Mlaznica za prašinu (gornji izlaz za prašinu)

Kada se vrećica za prašinu napuni do pola, skinite je s alata i izvucite pričvršćivač. Ispraznite sadržaj vreće za prašinu, a pritom je lagano udarajte da biste uklonili čestice zalijepljene s unutarnje strane koje bi mogle otežavati daljnje prikupljanje.

- **SI.39:** 1. Pričvršćivač

## Učvršćivanje izratka

**▲UPOZORENJE:** Iznimno je važno ispravno pričvrstiti izradak odgovarajućom vrstom škripca. U suprotnom može doći od ozbiljnih tjelesnih ozljeda i štete na alatu i/ili izratku.

**▲UPOZORENJE:** Kada režete izradak koji je duži od potporne osnovne ploče pile, materijal treba poduprijeti po cijeloj dužini i izvan potporne osnovne ploče i na istoj visini da bi bio stabilan. Ispravna potpora izratka pomoći će u sprječavanju priklještanja lista i mogućeg povratnog udara koji može uzrokovati ozbiljne tjelesne ozljede. Nemojte se oslanjati na to da će samo okomiti škripac i/ili vodoravni škripac biti dovoljni za učvršćivanje izratka. Tanki se materijal često ulegne. Poduprite izradak po čitavoj dužini da biste izbjegli priklještanje lista i mogući POVRATNI UDAR.

- **SI.40:** 1. Potporanj 2. Rotacijska osnovna ploča

## Vodilice

**▲UPOZORENJE:** Pije uporabe alata obavezno dobro pričvrstite gornju vodilicu.

**▲UPOZORENJE:** Prije kutnog rezanja uvjerite se da ni jedan dio alata, posebice list, ne dodiruje gornje i donje vodilice kada ručku pomičete prema dolje ili gore u bilo koji položaj i dok pomičete kućište po putanji. Ako alat ili list dodiruje vodilicu, može doći do povratnog udara ili neočekivanog pomicanja materijala i ozbiljne tjelesne ozljede.

Upotrijebite gornje vodilice za podupiranje materijala koji strši iznad donjih vodilica. Otpustite zatezni vijak tako da gornja vodilica može kliziti po donjoj vodilici i preko nje. Namjestite vodilice i zatim pritegnite vijak.

- **SI.41:** 1. Gornja vodilica 2. Donja vodilica 3. Zatezni vijak 4. Vijak za prilagođavanje

**NAPOMENA:** Donje vodilice tvornički su pričvršćene na osnovnu ploču. Nemojte uklanjati donje vodilice.

**NAPOMENA:** Ako je gornja vodilica nakon pritezanja zateznog vijka i dalje labava, okrenite vijak za prilagođavanje da biste zatvorili prazninu. Vijak za prilagođavanje tvornički je namješten. Upotrebljavajte ga samo ako je to potrebno.

## Okomiti škripac

**▲UPOZORENJE:** Izradak mora kod svih radova biti čvrsto učvršćen škripцем na rotacijskoj osnovnoj ploči i vodilicama. Ako izradak nije ispravno pričvršćen na vodilici, materijal bi se tijekom rezanja mogao pomaknuti što može oštetiti list, te uslijed toga odbaciti materijal i prouzročiti gubitak kontrole i ozbiljne tjelesne ozljede.

Okomiti škripac može se postaviti u dva položaja na lijevoj ili desnoj strani osnovne ploče. Umetnite šipku škripca u neku od rupa u osnovnoj ploči.

Postavite krak škripca prema debljini i obliku izratka i učvrstite krak škripca zatezanjem steznog vijka. Ako zatezni vijak dodiruje kućište, postavite ga s druge strane kraka škripca. Provjerite dodiruje li bilo koji dio alata škripac dok spuštate ručku cijelim putem. Ako bilo koji dio dodiruje škripac, premjestite ga.

Pritisnite izradak uz vodilice i rotacijsku osnovnu ploču. Postavite izradak na željeni položaj rezanja i učvrstite ga zatezanjem ručice škripca.

- ▶ **Sl.42:** 1. Rupe 2. Šipka škripca 3. Krak škripca 4. Steznij vijak 5. Ručica škripca

## Vodoravni škripac

### Dodatni pribor

**▲ UPOZORENJE:** Držač matice uvijek okrećite u smjeru kazaljke na satu sve dok se izradak pravilno ne učvrsti. Ako izradak nije pravilno učvršćen, materijal bi se mogao pomicati tijekom rezanja i prouzročiti štetu na listu kružne pile te se tako odbaciti i dovesti do gubitka kontrole i ozbiljnih tjelesnih ozljeda.

**▲ UPOZORENJE:** Kada režete tanki izradak kao što su osnovne ploče na vodilici, uvijek upotrebijavajte vodoravni škripac.

**▲ OPREZ:** Ako režete izradak debljine 20 mm ili tanji, upotrijebite razmačnik za pričvršćivanje izratka.

Vodoravni se škripac može montirati ili na lijevoj ili desnoj strani osnovne ploče. Kada režete pod kutom nagibnog reza od 22,5° ili više, postavite vodoravni škripac na stranu suprotnu od smjera u kojem okrećete rotacijsku osnovnu ploču.

Preklapanjem držača matice u smjeru suprotnom od smjera kazaljke na satu škripac se oslobađa i naglo pomiče prema unutra i prema van. Da biste pričvrstili izradak, pritisnite ručicu škripca prema naprijed dok ploča škripca ne dodirne izradak i okrenite držač matice u smjeru kazaljke na satu. Zatim okrenite ručicu škripca u smjeru kazaljke na satu da biste učvrstili izradak.

- ▶ **Sl.43:** 1. Ploča škripca 2. Držač matice 3. Ručica škripca

**NAPOMENA:** Maksimalna širina izratka pri kojoj se vodoravni škripac može postaviti iznosi 68 mm.

## Podstol

**▲ UPOZORENJE:** Uvijek poduprite duge izratke tako da su u ravnini s gornjom površinom rotacijske osnovne ploče radi preciznog rezanja i sprečavanja opasnog gubitka kontrole nad alatom. Ispravna potpora izratka pomoći će u sprječavanju priklješćivanja lista i mogućeg povratnog udara koji može uzrokovati ozbiljne tjelesne ozljede.

**▲ UPOZORENJE:** Prije rezanja obavezno provjerite jesu li podstolovi učvršćeni vijcima.

Na svakoj strani alata nalaze se podstolovi za vodoravno podupiranje dugačkih izradaka. Otpustite vijke i produžite podstolove na odgovarajuću dužinu za podupiranje izratka. Zatim zategnite vijke.

- ▶ **Sl.44:** 1. Podstol 2. Vijak

Prilikom rezanja izradak pritisnite uz vodilice.

- ▶ **Sl.45:** 1. Vodilica 2. Podstol

## RAD

Ovaj je alat namijenjen za rezanje proizvoda od drva. Odgovarajućim originalnim listovima pila tvrtke Makita mogu se piliti i sljedeći materijali:

— Proizvodi od aluminija

Informacije o tome koje listove kružne pile upotrebljavati za materijal koji se reže potražite na našem web-mjestu ili se obratite lokalnom zastupniku tvrtke Makita.

**▲ UPOZORENJE:** Prije uključivanja sklopke provjerite dodiruje li list kružne pile ne izradak i sl. Uključivanje alata dok list kružne pile dodiruje izradak može prouzročiti povratni udar i ozbiljne tjelesne ozljede.

**▲ UPOZORENJE:** Nakon rezanja nemojte podizati list kružne pile sve dok se u potpunosti ne zaustavi. Podizanje rotirajućeg lista može uzrokovati ozbiljne tjelesne ozljede i oštetiti izradak.

**▲ UPOZORENJE:** Nemojte izvoditi nikakve prilagodbe, npr. okretati dršku, ručice, zatik zaustavljača na alatu dok se list kružne pile okreće. Izvođenje prilagodbi dok se list kružne pile okreće može prouzročiti ozbiljne tjelesne ozljede.

**NAPOMENA:** Prije uporabe provjerite jeste li deblokirali zatik zaustavljača i otpustili ručku iz donjeg položaja.

**NAPOMENA:** Ne primjenjujte prekomjeren pritisak na ručku prilikom rezanja. Prekomjerna sila može uzrokovati preopterećenje motora i/ili smanjiti učinkovitost rezanja. Pritisnite ručku samo s onom količinom sile potrebnom za glatko rezanje bez značajnog smanjenja brzine lista.

**NAPOMENA:** Nježno pritisnite ručku da biste izvršili rez. Ako ručku pritisnete snažno izravno ili s bočne strane, list kružne pile može vibrirati i ostaviti trag (trag pile) na izratku, a može se i smanjiti preciznost rezanja.

**NAPOMENA:** Tijekom kliznog rezanja nježno gurnite kućište prema vodilicama bez zaustavljanja. Ako zaustavite kretanje kućišta tijekom reza, na izratku će ostati trag, a smanjit će se i preciznost rezanja.

## Pritisno rezanje

**▲ UPOZORENJE:** Uvijek blokirajte klizno pomicanje kućišta kod pritisnog rezanja. Rezanje bez blokade može prouzročiti povratni udar koji može dovesti do ozbiljnih tjelesnih ozljeda.

Izratci visiki do 70 mm i široki do 92 mm mogu se rezati na sljedeći način.

1. Gurajte kućište prema vodilicama sve dok se ne zaustavi i blokirajte ga pomoću zatika zaustavljača.
  2. Učvrstite izradak odgovarajućom vrstom škripca.
  3. Uključite alat bez dodirivanja lista kružne pile i pričekajte da se list kružne pile počne vrtjeti punom brzinom prije spuštanja.
  4. Lagano spustite ručku u donji položaj da biste rezali izradak.
  5. Kada je rez završen, isključite alat i **pričekajte da se list kružne pile potpuno zaustavi** prije vraćanja lista kružne pile u najviši mogući položaj.
- ▶ **Sl.46:** 1. Zatik zaustavljača

## Klizno (potisno) rezanje (rezanje širokih izradaka)

**⚠ UPOZORENJE:** Prilikom kliznog rezanja prvo u potpunosti povucite kućište prema sebi i do kraja pritisnite ručku, a zatim gurnite kućište prema vodilici. Nikada nemojte počinjati rez kada kućište nije u potpunosti povučeno prema vama. Ako vršite klizni rez dok kućište nije u potpunosti povučeno prema vama, može doći do neočekivanog povratnog udara i ozbiljnih tjelesnih ozljeda.

**⚠ UPOZORENJE:** Nikada nemojte pokušavati izvršiti klizni rez tako da povlačite kućište prema sebi. Povlačenjem kućišta prema sebi prilikom rezanja možete uzrokovati neočekivani povratni udar i moguće ozbiljne tjelesne ozljede.

**⚠ UPOZORENJE:** Nikada nemojte vršiti klizni rez dok je ručka zaključana u spušenom položaju.

1. Deblokirajte zatike zaustavljača tako da se kućište može podignuti i slobodno kliziti.
  2. Učvrstite izradak odgovarajućom vrstom škripca.
  3. Povucite kućište u potpunosti prema sebi.
  4. Uključite alat bez dodirivanja lista kružne pile i pričekajte da se list kružne pile počne vrtjeti punom brzinom.
  5. Pritisnite ručku prema dolje i **gurnite kućište prema vodilicama i kroz izradak**.
  6. Kada je rez završen, isključite alat i **pričekajte da se list kružne pile potpuno zaustavi** prije vraćanja lista kružne pile u najviši mogući položaj.
- **SI.47:** 1. Zatik zaustavljača za bravu ručke 2. Zatik zaustavljača za blokadu klizanja

## Nagibno rezanje

Detalje potražite u odjeljku o prilagođavanju kuta za nagibni rez.

## Kutni rez

**⚠ UPOZORENJE:** Nakon postavljanja lista kružne pile za kutni rez provjerite mogu li se kućište i list kružne pile slobodno kretati u cijelom rasponu kretanja za planirani rez prije nego što pokrenete alat. Prekid kretanja kućišta ili lista kružne pile tijekom rezanja može uzrokovati povratni udar i ozbiljne tjelesne ozljede.

**⚠ UPOZORENJE:** Dok radite kutni rez, držite ruke izvan putanje kretanja lista kružne pile. Kut lista kružne pile mogao bi zbuniti operatora po pitanju stvarne putanje lista tijekom rezanja, a dodir s listom kružne pile uzrokovat će ozbiljne tjelesne ozljede.

**⚠ UPOZORENJE:** List kružne pile ne smije se podizati sve dok se u potpunosti ne zaustavi. Tijekom kutnog reza odrezani dio mogao bi se prisloniti uz list kružne pile. Ako se list kružne pile podigne tijekom rotacije, list kružne pile mogao bi izbaciti odrezani dio što će uzrokovati fragmentiranje materijala koje može dovesti do ozbiljnih tjelesnih ozljeda.

**NAPOMENA:** Dok pritišćete ručku, pritišćite paralelno s listom kružne pile. Ako primijenite silu okomito na rotacijsku osnovnu ploču ili promijenite smjer sile tijekom reza, može doći do smanjenja preciznosti reza.

1. Uklonite gornju vodilicu na strani na koju ćete nagnuti kućište.
  2. Deblokirajte zatike zaustavljača tako da se kućište može podignuti i slobodno kliziti.
  3. Prilagodite kut kutnog reza u skladu s postupkom opisanim u odjeljku o prilagođavanju kuta kutnog reza. Zatim pritegnite regulator na ručki.
  4. Učvrstite radni materijal pomoću škripca.
  5. Povucite kućište u potpunosti prema sebi.
  6. Uključite alat bez dodirivanja lista kružne pile i pričekajte da se list kružne pile počne vrtjeti punom brzinom.
  7. Ručku nježno spustite u najniži mogući položaj pritišćući je paralelno s listom kružne pile i **gurnite kućište prema vodilici radi rezanja izratka**.
  8. Kada je rez završen, isključite alat i **pričekajte da se list kružne pile potpuno zaustavi** prije vraćanja lista kružne pile u najviši mogući položaj.
- **SI.48**

## Složeno rezanje

Složeno rezanje postupak je u kojem se postavlja kut kutnog reza u trenutku kada se na izratku reže kut nagibnog reza. Složeno rezanje može se izvoditi pod kutom prikazanim u tablici.

Kut za pravokutni spoj	Kut kutnog reza
Lijevo i desno 0° - 45°	Lijevo i desno 0° - 45°

Prilikom složenog rezanja potražite objašnjenja u odjeljcima o pritisnom rezanju, kliznom (potisnom) rezanju, nagibnom rezanju i kutnom rezu.

## Rezanje krunskih i konkavnih vijenaca

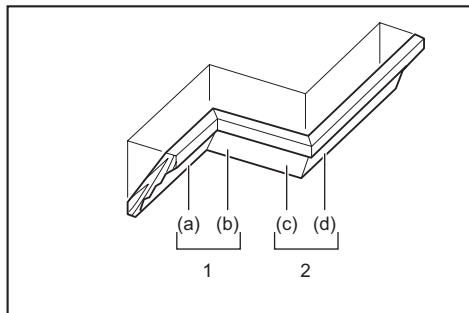
Krunski i konkavni vijenci mogu se izrezati na složenoj nagibnoj pili dok su vijenci ravno položeni na rotacijsku osnovnu ploču.

Postoje dvije uobičajene vrste krunskih i jedna vrsta konkavnih vijenaca: krunski vijenac pod zidnim kutom od 52/38°, krunski vijenac pod zidnim kutom od 45° i konkavni vijenac pod zidnim kutom od 45°.

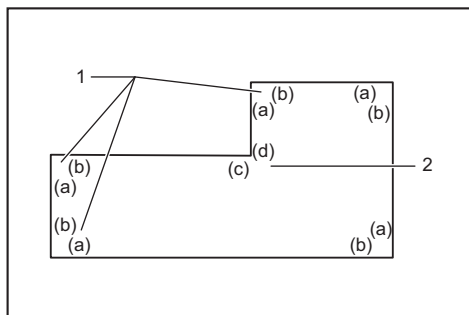
- **SI.49:** 1. Krunski kalup 52/38° 2. Krunski kalup 45° 3. Konkavni kalup 45°



Postoje spojevi krunskih i konkavnih vijenaca koji mogu stati „unutar” kutova od 90° ((a) i (b) na slici) i „izvan” kutova od 90° ((c) i (d) na slici).



1. Unutrašnji kut 2. Vanjski kut



1. Unutrašnji kut 2. Vanjski kut

## Mjerenje

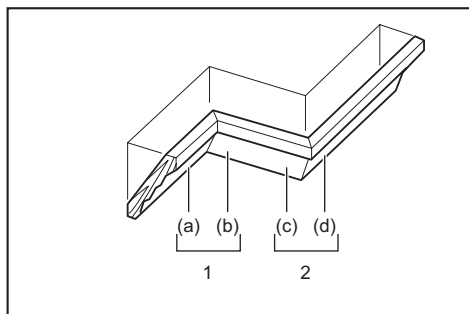
Izmjerite širinu zida te prema tome prilagodite širinu izratka. Uvijek pripazite da širina dodirnog ruba zida izratka odgovara duljini zida.

- **SI.50:** 1. Izradak 2. Širina zida 3. Širina izratka  
4. Dodirni rub zida

Uvijek upotrijebite nekoliko izradaka za probne rezove da biste provjerili kutove piljenja.

Kada režete krunske i konkavne vijence, postavite kut nagiba i kut za pravokutni spoj kako je naznačeno u tablici (A) i postavite vijence na gornju površinu osnovne ploče pile kao što je naznačeno u tablici (B).

## Lijevi kosi rez



1. Unutrašnji kut 2. Vanjski kut

Tablica (A)

-	Položaj kalupa na slici	Kut kutnog reza		Kut za pravokutni spoj	
		tip 52/38°	tip 45°	tip 52/38°	tip 45°
Za unutrašnji kut	(a)	Lijevo 33,9°	Lijevo 30°	Desno 31,6°	Desno 35,3°
	(b)			Lijevo 31,6°	Lijevo 35,3°
Za vanjski kut	(c)			Desno 31,6°	Desno 35,3°
	(d)				

Tablica (B)

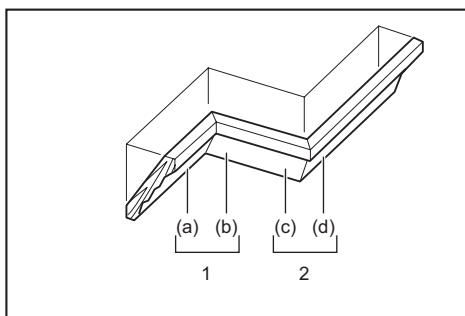
-	Položaj kalupa na slici	Rub kalupa na vodilici	Gotov dio
Za unutrašnji kut	(a)	Dodirni rub vrha treba se naslanjati na vodilicu.	Završeni dio bit će s lijeve strane lista pile.
	(b)	Dodirni rub zida treba se naslanjati na vodilicu.	Završeni dio bit će s desne strane lista pile.
Za vanjski kut	(c)	Dodirni rub vrha treba se naslanjati na vodilicu.	
	(d)	Dodirni rub vrha treba se naslanjati na vodilicu.	

Primjer:

Rezanje krunskog vijenca od 52/38° za položaj (a) na slici iznad:

- Nagnite i učvrstite kut nagiba na 33,9° LIJEVO.
- Podesite i učvrstite kut za pravokutni spoj na 31,6° DESNO.
- Položite krunski vijenac tako da njegova plosnata (skrivena) površina bude na rotacijskoj osnovnoj ploči, a RUB KOJI DODIRUJE STROP uz vodilicu na pili.
- Gotov izradak koji će se koristiti uvijek će biti na LIJEVOJ strani lista kružne pile nakon rezanja.

## Desni kutni rez



1. Unutrašnji kut 2. Vanjski kut

Tablica (A)

–	Položaj kalupa na slici	Kut kutnog reza		Kut za pravokutni spoj	
		tip 52/38°	tip 45°	tip 52/38°	tip 45°
Za unutrašnji kut	(a)	Desno 33,9°	Desno 30°	Desno 31,6°	Desno 35,3°
	(b)			Lijevo 31,6°	Lijevo 35,3°
Za vanjski kut	(c)			Desno 31,6°	Desno 35,3°
	(d)				

Tablica (B)

–	Položaj kalupa na slici	Rub kalupa na vodilici	Gotov dio
Za unutrašnji kut	(a)	Dodirni rub zida treba se naslanjati na vodilicu.	Završeni dio bit će s desne strane liste pile.
	(b)	Dodirni rub vrha treba se naslanjati na vodilicu.	Završeni dio bit će s lijeve strane lista pile.
Za vanjski kut	(c)	Dodirni rub zida treba se naslanjati na vodilicu.	
	(d)	Dodirni rub zida treba se naslanjati na vodilicu.	

Primjer:

Rezanje kruskog vijenca od 52/38° za položaj (a) na slici iznad:

- Nagnite i učvrstite postavke kuta kutnog reza na 33,9° DESNO.
- Podesite i učvrstite kut za pravokutni spoj na 31,6° DESNO.
- Spustite krunski vijenac s punim stražnjim dijelom (skriven) na rotacijsku osnovnu ploču i okrenite RUB ZA KONTAKT SA ZIDOM prema vodilici na pili.
- Izrađeni komad koji će se upotrebljavati uvijek će biti s DESNE strane lista kružne pile nakon reza.

## Rezanje aluminijskog profila

- **SI.51:** 1. Škripac 2. Razmačnik 3. Vodilica  
4. Aluminijski profil 5. Razmačnik

Kada učvršćujete aluminijske profile, učinite to pomoću blok-fiksatora ili drugim komadima kao što je prikazano na slici da biste spriječili izobličenje aluminiija. Koristite mazivo za rezanje prilikom rezanja aluminijskih profila da biste spriječili nakupljanje aluminijskog materijala na listu kružne pile.

**▲ UPOZORENJE:** Nikada nemojte pokušavati rezati debele ili okrugle aluminijske profile. Debeli ili okrugli aluminijski profili otežano se učvršćuju i izradak se može olabaviti tijekom rezanja što može uzrokovati gubitak kontrole i ozbiljne tjelesne ozljede.

## Rezanje utora

**▲ UPOZORENJE:** Nemojte pokušavati ovu vrstu rezanja pomoću šireg lista ili lista za lamperiju. Ako pokušate napraviti utor pomoću šireg lista ili lista za lamperiju, može doći do neočekivanih rezultata rezanja i povratnog udara koji može uzrokovati ozbiljne tjelesne ozljede.

**▲ UPOZORENJE:** Obavezno vratite ručicu zaustavljača u početni položaj kada izvodite rezove koji nisu rezovi za utore. Ako pokušate rezati dok je ručica zaustavljača u neispravnom položaju, može doći do neočekivanih rezultata rezanja i povratnog udara koji može uzrokovati ozbiljne tjelesne ozljede.

Rez za lamperiju može se izvršiti na sljedeći način:

1. Postavite najniži položaj lista kružne pile pomoću vijka za prilagođavanje i ručice zaustavljača da biste ograničili dubinu reza lista kružne pile. Detalje potražite u odjeljku o ručici zaustavljača.
2. Nakon prilagođavanja lista kružne pile na najniži položaj, izrežite paralelne utore po dužini izratka pomoću kliznog (potisnog) rezanja.  
► **SI.52:** 1. Izrežite utore listom
3. Uklonite materijal između utora pomoću dljeteta.

## Alat za nošenje

Prije nošenja alata provjerite jeste li uklonili baterijski uložak i jesu li svi pomični dijelovi potežno-nagibne pile učvršćeni. Uvijek provjerite jesu li provedene sljedeće radnje:

- Baterijski je uložak uklonjen.
- Kućište se nalazi u položaju kuta kutnog reza od 0° i učvršćeno je.
- Kućište je spušteno i blokirano.
- Kućište je do kraja pomaknuto do vodilica i blokirano.
- Rotacijska osnovna ploča nalazi se u krajnjem desnom položaju kuta nagibnog reza i učvršćena je.
- Podstolovi su pohranjeni i učvršćeni.

Nosite alat s pomoću ručke ili tako da držite obje strane osnovne ploče alata.

► **SI.53**

► **SI.54**

**▲ UPOZORENJE:** Zatik zaustavljača za podizanje kućišta služi isključivo za nošenje i pohranu, a ne za rezanje. Upotreba zatika zaustavljača pri rezanju može uzrokovati neočekivano pomicanje lista kružne pile što može dovesti do povratnog udara i ozbiljnih tjelesnih ozljeda.

**▲ OPREZ:** Uvijek učvrstite sve pokretne dijelove prije nošenja alata. Ako se dijelovi alata pomiču ili klizju prilikom nošenja, može doći do gubitka kontrole ili ravnoteže što može prouzročiti tjelesne ozljede.

**▲ OPREZ:** Svakako provjerite je li podizanje kućišta ispravno blokirano na dnu s pomoću zatika zaustavljača. Ako zatik zaustavljača nije ispravno blokirano, kućište može naglo poskočiti i uzrokovati ozljede.

# FUNKCIJA AKTIVACIJE BEŽIČNE JEDINICE

## Što možete raditi s funkcijom aktivacije bežične jedinice

Funkcija aktivacije bežične jedinice omogućuje čist i ugodan rad. Priključivanjem kompatibilnog usisivača prašine na alat možete upotrebljavati usisivač prašine automatski pomoću funkcije prebacivanja alata.

### ► SI.55

Kako biste upotrebljavali funkciju aktivacije bežične jedinice, pripremite sljedeće stavke:

- bežičnu jedinicu (dodatan pribor)
- usisivač prašine koji podržava funkciju aktivacije bežične jedinice

U nastavku donosimo pregled postavljanja funkcije aktivacije bežične jedinice. U pojedinačnim dijelovima možete pronaći detaljan opis koraka.

1. Umetanje bežične jedinice
2. Registracija alata za usisivač prašine
3. Pokretanje funkcije aktivacije bežične jedinice

## Umetanje bežične jedinice

### Dodatni pribor

**▲ OPREZ:** Priilikom umetanja bežične jedinice postavite alat na ravnu i čvrstu površinu.

**NAPOMENA:** Očistite prašinu i prljavštinu s alata prije nego što umetnete bežičnu jedinicu. Prašina ili prljavština mogu prouzročiti kvar ako prodru u utor bežične jedinice.

**NAPOMENA:** Kako biste spriječili kvar prouzročen statikom dodirnite materijal sa statičkim pražnjenjem, kao što je metalni dio alata, prije nego što uzmete bežičnu jedinicu.

**NAPOMENA:** Pri umetanju bežične jedinice uvijek provjerite je li bežična jedinica umetnuta u pravilnom smjeru i je li poklopac potpuno zatvoren.

1. Otvorite poklopac na alatu kako je prikazano na slici.  
► SI.56: 1. Poklopac
2. Umetnite bežičnu jedinicu u utor, a zatim zatvorite poklopac.

Pri umetanju bežične jedinice poravnajte izbočine s udubljenim dijelovima utora.

- SI.57: 1. Bežična jedinica 2. Izbočina 3. Poklopac 4. Udubljeni dio

Kada uklanjate bežičnu jedinicu, polako otvorite poklopac. Kuke sa stražnje strane poklopca podignut će bežičnu jedinicu dok povlačite poklopac.

- SI.58: 1. Bežična jedinica 2. Kuka 3. Poklopac

Nakon uklanjanja bežične jedinice pohranite je u priloženoj kutiji ili antistatičkom spremniku.

**NAPOMENA:** Uvijek se koristite kukama sa stražnje strane poklopca pri uklanjanju bežične jedinice. Ako kuke ne zahvate bežičnu jedinicu, potpuno zatvorite poklopac i polako ga ponovno otvorite.

## Registracija alata za usisivač prašine

**NAPOMENA:** Za registraciju alata potreban je usisivač prašine Makita koji podržava funkciju aktivacije bežične jedinice.

**NAPOMENA:** Prije registracije alata umetnite bežičnu jedinicu u alat.

**NAPOMENA:** Izbjegavajte uključivati sljedeće prekidače prilikom registracije alata:

- uključno/isključnu sklopku na alatu
- prekidač usisivača alatu
- prekidač napajanja na usisivaču prašine

**NAPOMENA:** Pogledajte i priručnik s uputama za usisivač prašine.

Ako želite aktivirati usisivač prašine zajedno s funkcijom prebacivanja alata, najprije dovršite registraciju alata.

1. Umetnite baterije u usisivač prašine i alat.
2. Postavite prekidač za stanje pripravnosti na usisivaču prašine na „AUTO”.  
► SI.59: 1. Prekidač za stanje pripravnosti
3. Pritisnite gumb za aktivaciju bežične jedinice na usisivaču prašine i držite 3 sekunde dok žaruljica aktivacije bežične jedinice ne počne treperiti zeleno. Zatim na isti način pritisnite gumb za aktivaciju bežične jedinice na alatu.  
► SI.60: 1. Gumb za aktivaciju bežične jedinice  
2. Žaruljica za aktivaciju bežične jedinice

Ako su usisivač prašine i alat uspješno povezani, žaruljice za aktivaciju bežične jedinice zasvijetlit će zeleno u trajanju od 2 sekunde i početi treperiti plavo.

**NAPOMENA:** Žaruljice aktivacije bežične jedinice prestat će treperiti zeleno nakon 20 sekundi. Pritisnite gumb za aktivaciju bežične jedinice na alatu dok na usisivaču treperi žaruljica aktivacije bežične jedinice. Ako žaruljica aktivacije bežične jedinice ne treperi zeleno, nakratko ponovno pritisnite i držite gumb za aktivaciju bežične jedinice.

**NAPOMENA:** Ako registrirate jedan ili više alata za jedan usisivač prašine, provedite registracije pojedinačno.

## Pokretanje funkcije aktivacije bežične jedinice

**NAPOMENA:** Prije aktivacije bežične jedinice dovršite registraciju alata za usisivač prašine.

**NAPOMENA:** Pogledajte i priručnik s uputama za usisivač prašine.

Nakon što registrirate alat za usisivač prašine, usisivač prašine automatski radi s funkcijom prebacivanja alata. Povucite uključno/isključnu sklopku na alatu da biste uključili usisivač prašine tijekom rada. Usisivač prašine može se uključiti i pritiskom na prekidač usisivača prašine na alatu dok ne reže.

### ► SI.61

1. Postavite bežičnu jedinicu na alat.
2. Priključite crijevo usisivača prašine na alat.  
► SI.62
3. Postavite prekidač za stanje pripravnosti na usisivaču prašine na „AUTO”.  
► SI.63: 1. Prekidač za stanje pripravnosti

4. Kratko pritisnite gumb za aktivaciju bežične jedinice na alatu. Žaruljica za aktivaciju bežične jedinice zatreperit će plavo.

- **SI.64:** 1. Gumb za aktivaciju bežične jedinice  
2. Žaruljica za aktivaciju bežične jedinice

5. Povucite uključno/isključnu sklopku na alatu. Provjerite radi li usisivač prašine dok se povlači uključno/isključna sklopka.

6. Pritisnite gumb usisivača prašine da biste ga uključili. Provjerite svijetli li žaruljica aktivacije bežične jedinice u plavoj boji i radi li usisivač sve dok ponovno ne pritisnete gumb.

7. Da biste prekinuli rad usisivača, otpustite uključno/isključnu sklopku ili ponovno pritisnite gumb usisivača. Usisivač prašine prestaje s radom nakon djelovanja na prekidač i žaruljica zatim treperi u plavoj boji.

**NAPOMENA:** Prekidač stanja (uključivanje/isključivanje usisivača) može se proučiti-učitati u žaruljicu aktivacije bežične jedinice. Pojednosti potražite u odjeljku s opisom stanja žaruljice aktivacije bežične jedinice.

8. Kako biste prekinuli aktivaciju bežične jedinice usisivača prašine, pritisnite gumb za aktivaciju bežične jedinice na alatu.

**NAPOMENA:** Žaruljica za aktivaciju bežične jedinice na alatu prestat će treperiti plavo ako nema aktivnosti u trajanju od 2 sata. U tom slučaju postavite prekidač za stanje pripravnosti na „AUTO” i ponovno pritisnite gumb za aktivaciju bežične jedinice.

**NAPOMENA:** Usisivač prašine pokreće se ili zaustavlja s odgodom. Postoji vremenska odgoda ako usisivač prašine otkrije funkciju prebacivanja na alatu.





**NAPOMENA:** Udaljenost prijenosa bežične jedinice može varirati ovisno o lokaciji i okolnim uvjetima.

**NAPOMENA:** Ako je jedan ili više alata registriran za jedan usisivač prašine, usisivač prašine može se pokrenuti čak i ako ne povučete uključno/isključnu sklopku ili gumb usisivača jer drugi korisnik upotrebljava funkciju aktivacije bežične jedinice.

## Opis statusa žaruljice za aktivaciju bežične jedinice

- **SI.65:** 1. Žaruljica za aktivaciju bežične jedinice

Žaruljica za aktivaciju bežične jedinice prikazuje status funkcije aktivacije bežične jedinice. Značenje statusa žaruljice možete pogledati u tablici u nastavku.

Status	Žaruljica za aktivaciju bežične jedinice				Opis
	Boja	 Uključeno	 Treperi	Trajanje	
Stanje pripravnosti	Plavo			2 sata	Dostupna je aktivacija bežične jedinice usisivača prašine. Žaruljica se automatski isključuje ako nema aktivnosti u trajanju od 2 sata.
				Kad alat radi.	Dostupna je aktivacija bežične jedinice usisivača prašine i alat radi.
Registracija alata	Zeleno			20 sekundi	Spremno za registraciju alata. Čekanje na registraciju od usisivača prašine.
				2 sekunde	Registracija alata je dovršena. Žaruljica za aktivaciju bežične jedinice zatreperit će plavo.
Poništavanje registracije alata	Crveno			20 sekundi	Spremno za poništavanje registracije alata. Čekanje na poništavanje od usisivača prašine.
				2 sekunde	Poništenje registracije alata je dovršeno. Žaruljica za aktivaciju bežične jedinice zatreperit će plavo.
Ostalo	Crveno			3 sekunde	Uspostavlja se napajanje bežične jedinice i pokreće se funkcija aktivacije bežične jedinice.
		Isključeno	-	-	Zaustavljena je aktivacija bežične jedinice usisivača prašine.

## Poništavanje registracije alata za usisivač prašine

Pri poništavanju registracije alata za usisivač prašine izvedite sljedeće korake.

1. Umetnite baterije u usisivač prašine i alat.
  2. Postavite prekidač za stanje pripravnosti na usisivaču prašine na „AUTO”.
- **SI.66:** 1. Prekidač za stanje pripravnosti

3. Pritisnite gumb za aktivaciju bežične jedinice na usisivaču prašine i držite 6 sekundi. Žaruljica za aktivaciju bežične jedinice najprije treperi zeleno, a zatim crveno. Nakon toga, na isti način pritisnite gumb za aktivaciju bežične jedinice na alatu.

- **SI.67:** 1. Gumb za aktivaciju bežične jedinice  
2. Žaruljica za aktivaciju bežične jedinice

Ako je poništavanje bilo uspješno, žaruljice za aktivaciju bežične jedinice zasvijetlit će crveno u trajanju od 2 sekunde i početi treperiti plavo.

**NAPOMENA:** Žaruljice aktivacije bežične jedinice prestat će treperiti crveno nakon 20 sekundi. Pritisnite gumb za aktivaciju bežične jedinice na alatu dok na usisivaču treperi žaruljica aktivacije bežične jedinice. Ako žaruljica aktivacije bežične jedinice ne treperi crveno, nakratko ponovno pritisnite i držite gumb za aktivaciju bežične jedinice.

## Rješavanje problema funkcije aktivacije bežične jedinice

Prije nego zatražite popravak, sami pregledajte stroj. Ako pronađete problem za koji ne postoji objašnjenje u uputama, nemojte pokušavati rastaviti alat. Umjesto toga obratite se ovlaštenom servisnom centru tvrtke Makita koji za popravke uvijek koristi zamjenske dijelove tvrtke Makita.

Stanje nepravilnosti	Mogući uzroci (kvar)	Otklanjanje problema
Žaruljica za aktivaciju bežične jedinice ne svijetli/treperi.	Bežična jedinica nije umetnuta u alat. Bežična jedinica nije ispravno umetnuta u alat.	Ispravno umetnite bežičnu jedinicu.
	Priključak bežične jedinice i/ili utor su zaprljani.	Nježno obrišite prašinu i prljavštinu s priključka bežične jedinice i očistite utor.
	Nije pritisnut gumb za aktivaciju bežične jedinice na alatu.	Kratko pritisnite gumb za aktivaciju bežične jedinice na alatu.
	Prekidač za stanje pripravnosti na usisivaču prašine nije postavljen na „AUTO“.	Postavite prekidač za stanje pripravnosti na usisivaču prašine na „AUTO“.
	Nije uspostavljeno napajanje	Uspostavite napajanje alata i usisivača prašine.
Nije moguće uspješno dovršiti registraciju alata / poništiti registraciju alata.	Bežična jedinica nije umetnuta u alat. Bežična jedinica nije ispravno umetnuta u alat.	Ispravno umetnite bežičnu jedinicu.
	Priključak bežične jedinice i/ili utor su zaprljani.	Nježno obrišite prašinu i prljavštinu s priključka bežične jedinice i očistite utor.
	Prekidač za stanje pripravnosti na usisivaču prašine nije postavljen na „AUTO“.	Postavite prekidač za stanje pripravnosti na usisivaču prašine na „AUTO“.
	Nije uspostavljeno napajanje	Uspostavite napajanje alata i usisivača prašine.
	Neispravan rad	Kratko pritisnite gumb za aktivaciju bežične jedinice i ponovno izvedite postupak registracije alata / poništavanja registracije alata.
	Alat i usisivač prašine previše su međusobno udaljeni (izvan raspona prijenosa).	Približite alat i usisivač prašine jedan drugom. Maksimalna udaljenost prijenosa iznosi otprilike 10 m, ali može varirati ovisno o uvjetima rada.
	Prije dovršetka registracije alata/ponišćavanja registracije alata; - uključena je uključno/isključna sklopka na alatu; - uključen je gumb usisivača na alatu ili - uključen je gumb napajanja na usisivaču prašine.	Kratko pritisnite gumb za aktivaciju bežične jedinice i ponovno izvedite postupak registracije alata / poništavanja registracije alata.
	Postupak registracije za alat ili usisivač prašine nije dovršen.	Istodobno provedite postupak registracije za alat i za usisivač prašine.
	Radjske smetnje od drugih uređaja stvaraju visokointenzivne radiovalove.	Držite alat i usisivač prašine podalje od uređaja kao što su Wi-Fi uređaji i mikrovalne pećnice.
	Usisivač prašine ne radi zajedno s funkcijom prebacivanja alata.	Bežična jedinica nije umetnuta u alat. Bežična jedinica nije ispravno umetnuta u alat.
Priključak bežične jedinice i/ili utor su zaprljani.		Nježno obrišite prašinu i prljavštinu s priključka bežične jedinice i očistite utor.
Nije pritisnut gumb za aktivaciju bežične jedinice na alatu.		Kratko pritisnite gumb za aktivaciju bežične jedinice i uvjerite se da žaruljica za aktivaciju bežične jedinice treperi plavo.
Prekidač za stanje pripravnosti na usisivaču prašine nije postavljen na „AUTO“.		Postavite prekidač za stanje pripravnosti na usisivaču prašine na „AUTO“.
Na usisivač prašine registrirano je više od 10 alata.		Ponovno provedite registraciju alata. Maksimalna udaljenost prijenosa iznosi otprilike 10 m, ali može varirati ovisno o uvjetima rada.
Usisivač prašine nije uspio registrirati alate.		Obnavljanje registracije alata.
Usisivač prašine izbrisao je sve registracije alata.		Ponovno registrirajte alat.
Nije uspostavljeno napajanje		Uspostavite napajanje alata i usisivača prašine.
Alat i usisivač prašine previše su međusobno udaljeni (izvan raspona prijenosa).		Približite alat i usisivač prašine jedan drugom. Maksimalna udaljenost prijenosa iznosi otprilike 10 m, ali može varirati ovisno o uvjetima rada.
Radjske smetnje od drugih uređaja stvaraju visokointenzivne radiovalove.		Držite alat i usisivač prašine podalje od uređaja kao što su Wi-Fi uređaji i mikrovalne pećnice.
Usisivač prašine radi iako ne radi niti jedan prekidač alata.	Drugi korisnici upotrebljavaju funkciju aktivacije bežične jedinice usisivača prašine na svojim alatima.	Isključite gumb za aktivaciju bežične jedinice na drugim alatima ili poništite registraciju alata na drugim alatima.

# ODRŽAVANJE

**⚠ UPOZORENJE:** Prije svih zahvata na alatu provjerite jeste li isključili alat i uklonili baterijski uložak. Ako ne uklonite baterijski uložak i ne isključite alat, može doći do slučajnog pokretanja alata, što može prouzročiti ozbiljne tjelesne ozljede.

**⚠ UPOZORENJE:** Uvijek pripazite da je list kružne pile oštar i čist kako biste osigurali najbolji i najsigurniji rad. Pokušaj rezanja s tupim i/ili prljavim listom može uzrokovati povratni udar i ozbiljne tjelesne ozljede.

**NAPOMENA:** Nikada nemojte koristiti benzin, mješavinu benzina, razrjeđivač, alkohol ili slično. Kao rezultat toga može se izgubiti boja, pojaviti deformacija ili pukotine.

Da biste zadržali SIGURNOST I POUZDANOST proizvoda, održavanje ili namještanja trebali biste prepustiti ovlaštenim servisnim ili tvorničkim centrima tvrtke Makita; uvijek rabite originalne rezervne dijelove.

## Prilagođavanje kuta rezanja

Ovaj je alat pažljivo prilagođen i usklađen u tvornici, no grubo rukovanje može utjecati na prilagođavanje. Ako vaš alat nije ispravno prilagođen, učinite sljedeće:

### Kut za pravokutni spoj

Okrećite ručku u smjeru suprotnom od smjera kazaljke na satu i baza mora biti spremna za rad sigurnosnih pozicija pomoću ručice za otpuštanje. Zatim otpustite vijke kojima su pričvršćeni pokazivač i mjerač kuta nagibnog reza.

► **SI.68:** 1. Drška 2. Ručica za otpuštanje 3. Vijak na pokazivaču 4. Vijci na mjeraču kuta nagibnog reza 5. Mjerač kuta nagibnog reza

Postavite rotacijsku osnovnu ploču u položaj 0° pomoću funkcije sigurnosnih pozicija. Postavite stranu lista kružne pile okomito na prednju stranu vodilice pomoću trokutnog ravnala ili kutnika. Dok držite okomit položaj, zategnite vijke na mjeraču kuta nagibnog reza. Nakon toga poravnajte pokazivač s položajem 0° na mjeraču kuta nagibnog reza, a zatim zategnite vijak na pokazivaču.

► **SI.69:** 1. Trokutno ravnalo 2. Pokazivač

### Kut kutnog reza

#### Kut nagiba od 0°

Gurnite kućište prema vodilicama i blokirajte klizno pomicanje pomoću zatika zaustavljača. Spustite kućište do kraja i blokirajte ga u spušenom položaju pomoću zatika zaustavljača. Okrenite regulator na ručki u smjeru suprotnom od smjera kazaljke na satu i okrenite vijak za prilagođavanje od 0° dva ili tri okretaja u smjeru suprotnom od smjera kazaljke na satu da biste nagnuli list kružne pile u desnu stranu.

► **SI.70:** 1. Regulator na ručki 2. Vijak za prilagođavanje od 0° 3. Vijak na pokazivaču

Pažljivo postavite list kružne pile okomito na gornju površinu rotacijske osnovne ploče pomoću trokutnog ravnala, kutnika itd. tako da zakrenete vijak za prilagođavanje od 0° u smjeru kazaljke na satu. Zatim čvrsto zategnite regulator na ručki da biste učvrstili kut od 0° koji ste postavili.

► **SI.71:** 1. Trokutno ravnalo 2. List pile 3. Gornja površina rotacijske osnovne ploče

Još jednom provjerite je li strana lista kružne pile okomita na gornju površinu rotacijske osnovne ploče. Otpustite vijak na pokazivaču i zatim poravnajte pokazivač s položajem 0° na mjeraču kuta nagibnog reza, a zatim zategnite vijak.

#### Kut nagiba od 45°

**NAPOMENA:** Prije nego što prilagodite kut kutnog reza od 45°, dovršite prilagođavanje kuta kutnog reza od 0°.

Otpustite regulator na ručki i nagnite kućište do kraja u stranu koju želite provjeriti. Provjerite pokazuje li pokazivač položaj 45° na mjeraču kuta kutnog reza.

► **SI.72:** 1. Regulator na ručki

Ako pokazivač ne pokazuje položaj 45°, poravnajte ga s položajem 45° okrećući vijak za prilagođavanje za 45°.

► **SI.73:** 1. Vijak za prilagođavanje od 45° desno  
2. Vijak za prilagođavanje od 45° lijevo

## Čišćenje leća žarulje

**NAPOMENA:** Nemojte ukloniti vijak kojim je pričvršćena leća. Ako se leća ne može izvaditi, dodatno otpustite vijak.

**NAPOMENA:** Suhom krpom obrišite prljavštinu s leće žaruljice. Budite oprezni da ne zagrebete leću žaruljice jer to može smanjiti osvjjetljenje.

**NAPOMENA:** Nemojte upotrebljavati otapala ili benzinska sredstva za čišćenje leće.

Kada se leća svjetla zaprlja, LED svjetlo teže se razaznaje. Leće redovito čistite.

Uklonite baterijski uložak. Otpustite vijak i izvadite leću. Leću nježno očistite mekom vlažnom krpom.

► **SI.74:** 1. Vijak 2. Leća

## Nakon uporabe

Nakon uporabe obrišite piljevinu i prašinu koje se prijanjaju uz alat pomoću krpe ili nečeg sličnog. Redovito čistite štitnik lista prema uputama u prethodno navedenom odjeljku za štitnik lista. Podmažite klizne dijelove strojnim uljem kako biste spriječili stvaranje hrđe.

# DODATNI PRIBOR

**⚠ UPOZORENJE:** Ovaj dodatni pribor i dodaci tvrtke Makita preporučuju se za uporabu s vašim alatom tvrtke Makita opisanim u ovom priručniku. Uporaba drugog dodatnog pribora ili dodataka može uzrokovati teške tjelesne ozljede.

**⚠ UPOZORENJE:** Koristite isključivo dodatni pribor ili dodatke tvrtke Makita u njihove navedene svrhe. Neispravna uporaba dodatnog pribora ili dodataka može uzrokovati ozbiljne tjelesne ozljede.

Ako vam je potrebna pomoć za više detalja u pogledu ovih dodatnih pribora, obratite se najbližem Makita servisnom centru.

- Listovi pile s karbitnim vrhom
- Okomiti škripac
- Vodoravni škripac
- Vreća za prašinu
- Trokutno ravnalo
- Imbus ključ
- Bežična jedinica
- Kompleti stalka
- Izvorna Makita baterija i punjač

**NAPOMENA:** Neke stavke iz popisa se mogu isporučiti zajedno sa strojem kao standardni dodatni pribori. Oni mogu biti različiti ovisno o zemlji.

## СПЕЦИФИКАЦИИ

Модел:	LS002G
Дијаметар на сечилото	216 мм
Дијаметар на дупка (осовина) (конкретно за држава)	15,88 мм/25,4 мм/30 мм
Максимална дебелина на засекот на ножот на пилата	2,4 мм
Макс. агол на спој	Лево 60°, Десно 60°
Макс. агол на закосеност	Лево 48°, Десно 48°
Брзина без оптоварување	4.800 мин. <sup>-1</sup>
Димензии (Д x Ш x В)	702 мм x 551 мм x 557 мм
Номинален напон	D.C. 36 V - 40 V максимално
Нето тежина	16,4 - 17,0 кг

- Поради нашата континуирана програма за истражување и развој, спецификациите тука подлежат на промена без најава.
- Спецификациите може да се разликуваат од држава до држава.
- Тежината може да се разликува во зависност од додатоците, вклучувајќи ја и касетата за батерија. Најлесната и најтешката комбинација, согласно процедурата на ЕПТА 01/2014 (Европската асоцијација за електрични алати), се прикажани во табелата.

### Применлива касета за батерија и полнач

Касета за батерија	BL4025/BL4040
Полнач	DC40RA

- Некои од касетите за батерии и полначите наведени погоре може да не се достапни зависно од регионот во кој живеете.

**▲ ПРЕДУПРЕДУВАЊЕ:** Користете ги само касетите за батерии и полначите наведени погоре. Користењето какви било поинакви касети за батерии и полначи може да создаде ризик од повреда и/или пожар.

### Капацитет на сечење (В x Ш) со сечило 216 мм во дијаметар

Агол на спој	Агол на закосеност		
	45° (лево)	0°	45° (десно)
0°	50 мм x 312 мм	70 мм x 312 мм	30 мм x 312 мм
45° (лево и десно)	50 мм x 220 мм	70 мм x 220 мм	30 мм x 220 мм
60° (лево и десно)	–	70 мм x 155 мм	–

### Симболи

Долунаведените ги прикажуваат симболите што може да се користат кај опремата. Пред употребата, проверете дали го разбирате нивното значење.



Прочитајте го упатството за користење.



За да не се повредите од струготините што летаат, држете ја пилата надолу откако ќе завршите со сечење, сè додека сечилото не престане да се врти.



Кога изведувате потезно сечење, прво целосно повлечете го носачот и притиснете ја надолу рачката, а потоа турнете го поставувачот кон насочниот граничник.



При вршење закосено сечење, прво олабавете го бројченикот на држачот и навалете го носачот на саканиот агол, потоа стегнете го бројченикот на држачот.



При навалување на сечилото надвор од опсегот од 0° - 45°, свртете го лостот за отпуштање за агол на закосеност од 48° во насока надесно.



Не ставајте ја раката или прстите во близина на сечилото.



Носете безбедносни очила.



Не гледајте во работната ламбичка.



Само за земјите на ЕУ  
Не фрлајте ја електричната опрема или батеријата заедно со домашниот отпад! Земалци ги предвид европските директиви за отпадна електрична и електронска опрема и за батерии и акумулатори и отпадни батерии и акумулатори и нивното спроведување во согласност со националните закони, електричната опрема и батеријата/ите на крајот на нивниот работен век мора да се собираат одделно и да се вратат во еколошки објект за рециклирање.



## Наменета употреба

Алатот е наменет за прецизно, праволиниско сечење и за сечење спој на дрво.  
Не користете ја пилата за сечење што било друго освен дрво, алуминиум или слични материјали.

## Бучава

Типична А-вредност за ниво на бучавата одредена во согласност со EN62841-3-9:  
Ниво на звучниот притисок ( $L_{pA}$ ) : 89 dB (A)  
Ниво на јачина на звукот ( $L_{WA}$ ) : 100 dB (A)  
Отстапување (K): 3 dB (A)

**НАПОМЕНА:** Номиналната вредност(и) за емисија на бучава е измерена во согласност со стандардни методи за испитување и може да се користи за споредување алати.

**НАПОМЕНА:** Номиналната вредност(и) за емисија на бучава може да се користи и како прелиминарна процена за изложеност.

**▲ ПРЕДУПРЕДУВАЊЕ:** Носете заштита за ушите.

**▲ ПРЕДУПРЕДУВАЊЕ:** Емисијата на бучава при фактичкото користење на алатот може да се разликува од номиналната вредност(и), зависно од начинот на којшто се користи алатот, особено од тоа како вид работен материјал се обработува.

**▲ ПРЕДУПРЕДУВАЊЕ:** Погрижете се да ги утврдите безбедносните мерки за заштита на лицето кое ракува со алатот врз основа на процена на изложеноста при фактичките услови на употреба (земајќи ги предвид сите делови на работниот циклус, како периодите кога електричниот алат е исклучен и кога работи во празен од, не само кога е активен).

## Декларација за сообразност од ЕУ

### Само за земјите во Европа

Декларацијата за сообразност од ЕУ е вклучена во Додаток А од упатствата за корисникот.

## БЕЗБЕДНОСНИ ПРЕДУПРЕДУВАЊА

### Општи упатства за безбедност за електричните алати

**▲ ПРЕДУПРЕДУВАЊЕ:** Прочитајте ги сите безбедносни предупредувања, упатства, илустрации и спецификации дадени со електричниот алат. Ако не се почитуваат сите упатства наведени подолу, може да дојде до струен удар, пожар и/или сериозни повреди.

## Чувајте ги сите предупредувања и упатства за да може повторно да ги прочитате.

Под терминот „електричен алат“ во предупредувањата се мисли на вашиот електричен алат кој работи на струја (со кабел) или на батерии (безжично).

## Инструкции за безбедност за аголни пили

1. Аголните пили се наменети за сечење дрво или производи слични на дрво. Тие не може да се користат со абразивни тркала за сечење за сечење железни материјали како шипки, прачки, столпчиња, итн. Абразивната прашина предизвикува подвижните делови, како што е долниот штитник, да се заглават. Искрите од абразивното сечење ќе го изгорат долниот штитник, влошката за засекот и другите пластични делови.
2. Користете стеги за да го поддржите работниот материјал секогаш кога тоа е можно. Ако го потпираете работниот материјал со рака, секогаш мора да ја држите вашата рака на оддалеченост од најмалку 100 мм од двете страни на ножот на пилата. Не користете ја оваа пила за сечење парчиња што се премали за да бидат безбедно прицврстени или држени со рака. Ако вашата рака е поставена преблизу до ножот на пилата, постои зголемен ризик од повреда при контакт со ножот.
3. Работниот материјал мора да биде фиксиран и прицврстен или да биде потпрен и на граничникот и на масата. Немојте да го вметнувате работниот материјал во ножот ниту пак да сечете „со слободна рака“ на каков било начин. При високи брзини може да се исфрлат неприцврстените парчиња или делови од работниот материјал кои се движат и да предизвикаат повреди.
4. Туркајте ја пилата низ работниот материјал. Не влечете ја пилата низ работниот материјал. За да направите рез, кренете ја главата на пилата и повлечете ја врз работниот материјал без сечење, стартувајте го моторот, притиснете ја главата на пилата надолу и туркајте ја пилата низ работниот материјал. Брзото сечење може да предизвика ножот на пилата да се искачи на врвот на работниот материјал и насилно да го исфрли склопот на ножот кон операторот.
5. Никогаш не префрлајте ја раката над замислената линија на сечење пред или зад ножот на пилата. Држејќи го работниот материјал со „вкрстени раце“, односно држејќи го работниот материјал со левата рака на десната страна од ножот на пилата или обратно е многу опасно.

► Сл.1

6. **Не посегнувајте зад граничникот со ниту една рака поблиску од 100 мм од двете страни на ножот на пилата за да ги отстраните деланките од дрвото или поради која било друга причина додека ножот се врти.** Близината на ножот на пилата што се врти до вашата рака може да не биде очигледна и може сериозно да се повредите.
  7. **Проверете го работниот материјал пред сечењето. Ако работниот материјал е наведнат или искривен, стегнете го со надворешната наведната страна кон граничникот. Секогаш бидете сигурни дека не постои јаз помеѓу работниот материјал, граничникот и масата долж линијата на резот.** Наведнатите или искривените работни материјали може да се извиткаат или поместат и при сечењето може да предизвикаат сврзување на ножот на пилата што се врти. Не треба да има клинци ниту туѓи објекти во работниот материјал.
  8. **Не користете ја пилата додека не ја исчистите масата од сите алатки, отпадоци од дрво итн., освен работниот материјал.** Со голема брзина може да бидат исфрлени мали остатоци или разлабавени парчиња од дрво или други предмети кои имаат контакт со ротирачкото сечило.
  9. **Сечете само еден по еден работен материјал.** Повеќе наредени работни материјали не може соодветно да се прицврстат или опфатат и може да се сврзат на ножот или да се поместат за време на сечењето.
  10. **Осигурете се дека аголната пила е монтирана или поставена на рамна, цврста работна површина пред употребата.** Рамната и цврста работна површина го намалува ризикот од нестабилност на аголната пила.
  11. **Планирајте ја вашата работа. Секогаш кога ќе ги промените поставувањата на аголот на закосеност или аголот на спој, бидете сигурни дека нагодливиот граничник е правилно поставен за да го поддржува работниот материјал и да не му пречи на ножот или системот за заштита.** Без да го поставите алатот на „ВКЛУЧИ“ и без работен материјал на масата, придвижете го ножот на пилата низ целосно симулираниот рез за да се осигурите дека нема да има пречки или опасност од сечење на граничникот.
  12. **Обезбедете соодветна поддршка, како што се продолжетоци за маса, ногарки, итн. за работен материјал што е поширок или подолг од површината на масата.** Работниот материјал што е подолг или поширок од масата на аголната пила може да се преврти ако не е добро поддржан. Ако пресеченото парче или работниот материјал се превртат, може да го подигнат долниот штитник или ножот може да ги исфрли.
  13. **Не користете друго лице како замена за продолжеток на масата или како дополнителна поддршка.** Нестабилна поддршка на работниот материјал може да предизвика сврзување на ножот или префрлање на работниот материјал за време на операцијата на сечење повлекувајќи ве вас и вашиот помошник кон ножот што се врти.
  14. **Отсеченото парче не треба да се заглавува или притиска на каков било начин кон ножот на пилата што се врти.** Ако е во ограничен простор, односно употребувате стопери за должина, отсеченото парче би можело да се заглави во ножот и насилно да биде исфрлено.
  15. **Секогаш користете менгеоме или фиксатор што се дизајнирани за соодветна поддршка на заоблен материјал, како шипки или цевки.** Шипките имаат тенденција да се вртат додека се сечат, со што се предизвикува сечилото да „гризе“ и да го повлече материјалот со вашата рака кон ножот.
  16. **Ножот треба да достигне полна брзина пред да дојде во контакт со работниот материјал.** Ова ќе го намали ризикот од исфрлање на работниот материјал.
  17. **Ако работниот материјал или ножот се заглават, исклучете ја аголната пила. Почекајте сите подвижни делови да запрат и исклучете го кабелот од изворот на енергија и/или извадете ја батеријата. Потоа пробајте да го извадите заглавениот материјал.** Ако продолжите да пилате со заглавен работен материјал, може да изгубите контрола врз аголната пила или пак да ја оштетите.
  18. **По завршувањето на сечењето, отпуштете го прекинувачот, држете ја главата на пилата надолу и почекајте ножот да запре пред да го отстраните отсеченото парче.** Опасно е да посегнувате со раката во близина на движечкото сечило.
  19. **Држете ја цврсто рачката при правење нецелосен рез или кога го отпуштате прекинувачот пред главата на пилата да е целосно во позиција надолу.** Силата на сопирање на пилата може да предизвика главата на пилата одеднаш да се повлече надолу, предизвикувајќи ризик од повреда.
  20. **Користете само сечило на пила со дијамер што е означен на алатот или назначен во прирачникот.** Употребата на сечило со неправилни димензии може да влијае врз правилната заштита или работењето на сечилото или заштитникот, што може да резултира со тешка телесна повреда.
  21. **Користете само ножеви за пила што се означени со брзина еднаква или поголема од брзината означена на алатот.**
  22. **Не користете ја пилата за сечење што било друго освен дрво, алуминиум или слични материјали.**
  23. **(Само за европските држави) Секогаш користете го сечилото што е во согласност со EN847-1.**
- Дополнителни инструкции**
1. **Направете ја работилница безбедна за деца користејќи катанци.**
  2. **Никогаш не стојте врз алатот.** Може да дојде до сериозна повреда ако се преврти алатот или ако ненамерно се допре алатот за сечење.
  3. **Никогаш не оставајте го алатот вклучен без надзор. Исклучете го напојувањето. Не оставајте го алатот додека не запре целосно.**

4. Не работете со пилата ако не се поставени штитниците. Проверувајте дали штитникот на ножот е правилно затворен пред секоја употреба. Не работете со пилата ако штитникот на ножот не се движи слободно и не се затвора веднаш. Никогаш немојте да го стегнувате или врзувате штитникот на ножот во отворена положба.
5. Држете ги рацете надвор од патеката на движење на ножот на пилата. Избегнувајте допир со нож што врти слободно. Тоа сè уште може да предизвика тешка повреда.
6. За да се намали ризикот од повреда, враќајте го носачот на последната задна позиција по секоја операција на вкрстено сечење.
7. Секогаш фиксирајте ги сите подвижни делови пред да го пренесувате алатот.
8. Осигурувачот или лостот за стопирање, кој ја блокира главата на пилата надолу, служи само за пренесување и складирање, а не за операција за сечење.
9. Внимателно проверувајте дали ножот е оштетен или има пукнатини пред да започнете со работа. Ако е пукнат или оштетен, заменете го ножот веднаш. Наслагите и дрвените отпадоци кои остануваат залепени на ножот, ја забавуваат пилата и го зголемуваат потенцијалот за повратен удар. Одржувајте го ножот чист прво вадејќи го од алатот, потоа чистејќи го со отстранувач на наслаг, врела вода или керозин. Никогаш не користете бензин за чистење на ножот.
10. При потезно сечење, може да се случи ПОВРАТЕН УДАР. До ПОВРАТЕН УДАР може да дојде кога ножот се сврзува со работниот материјал за време на операцијата на сечење и ножот на пилата брзо се движи кон операторот. Тоа може да доведе до губење на контролата врз алатот и сериозни телесни повреди. Ако ножот почнува да се сврзува за време на сечењето, не продолжувајте со сечење и веднаш отпуштете го прекинувачот.
11. Користете само фланши наменети за овој алат.
12. Внимавајте да не ги оштетите вратилото, фланшите (особено површината за монтирање) или завртката. Оштетувањето на тие делови може да доведе до кршење на ножот.
13. Осигурете се вртливата основа да е правилно прицврстена за да не се движи за време на работата. Користете ги дупките во основата за да ја зацврстите пилата на стабилна работна платформа или клупа. НИКОГАШ не користете алат каде што позиционирањето на операторот ќе биде непријатно.
14. Осигурете блокадата на оската да е ослободена пред да го вклучите прекинувачот.
15. Осигурете се дека ножот не е во допир со вртливата основа кога е во најниска положба.
16. Цврсто држете ја рачката. Имајте предвид дека при стартување и запирање, пилата се движи малку нагоре или надолу.
17. Внимавајте ножот да не го допира работниот материјал пред да се вклучи прекинувачот.
18. Пред да го користите алатот врз работниот материјал, оставете го да поработи малку напрасно. Проверете дали има вибрации или осцилации што може да укажуваат на лошо монтирање или неизбалансиран нож.
19. Ако забележите нешто абнормално, веднаш запрете со работа.
20. Не обидувајте се да го блокирате прекинувачот во положбата „ВКЛУЧЕНО“.
21. Секогаш користете додаточа што се препорачани во ова упатство. Користењето несоодветни додатоци, како што се абразивните тркала, може да предизвика повреда.
22. Некои материјали содржат хемикалии што може да бидат токсични. Избегнувајте вдишување на прашина и избегнувајте контакт на прашина со кожата. Следете ги упатствата од производителот на материјалот.
23. Не користете кабелско напојување со овој алат.

Дополнителни безбедносни правила за работната ламбичка

1. Не гледајте директно во светлината или во изворот на светлина.

## ЧУВАЈТЕ ГО УПАТСТВОТО.

**▲ ПРЕДУПРЕДУВАЊЕ:** НЕ ДОЗВОЛУВАЈТЕ удобноста или познавањето на производот (стекнати со подолга употреба) да ве наведат да не се придржувате строго до безбедносните правила за овој производ. ЗЛОУПОТРЕБАТА или непочитувањето на безбедносните правила наведени во ова упатство може да предизвикаат тешка телесна повреда.

## Важни безбедносни упатства за касетата за батеријата

1. Пред користење на касетата за батеријата, прочитајте ги сите упатства и ознаки за претпазливост на (1) полначот за батеријата, (2) батеријата и (3) производот што ја користи батеријата.
2. Не расклопувајте ја, ниту експериментирајте со касетата за батеријата. Тоа може да резултира со оган, прекумерна топлина или експлозија.
3. Ако оперативното времето станало прекумерно кратко, престанете веднаш со работа. Тоа може да резултира со ризик од прегревање, можни изгореници, па дури и експлозија.
4. Ако електролит навлезе во вашите очи, измијте ги со чиста вода и побарајте медицинска нега веднаш. Тоа може да резултира со губење на вашиот вид.

5. Не предизвикувајте спој на касетата за батеријата.
    - (1) Не допирајте ги контактите со никаков проводлив материјал.
    - (2) Избегнувајте да ја чувате касетата за батерија во сад со други метални предмети како што се шајки, монети и сл.
    - (3) На изложувајте ја касетата за батеријата на вода или дожд.
- Краткиот спој на батеријата може да предизвика голем проток на електрична енергија, прегревање, можни изгореници, па дури и пад на напојувањето.

6. Не складирајте и не користете ги алатот и касетата за батеријата на места каде што температурата може да достигне или надминува 50 °C (122 °F).
7. Не палете ја касетата за батеријата дури и кога е многу оштетена или целосно потрошена. Касетата за батерија може да експлодира ако се стави во оган.
8. Не заковувајте ја, сечете ја, фрлајте ја, испуштајте ја касетата за батерија, ниту удирајте ја од тврд предмет касетата за батеријата. Таквото однесување може да резултира со оган, прекумерна топлина или експлозија.

9. Не користете оштетена батерија.
10. Содржаните батерии со литиумови јони се подложни на условите во Правилата за опасни предмети.
 

За комерцијален транспорт на пр. од трети лица и посредници, мора да се следат посебните услови на пакувањата или ознаките. При подготовка на предметот кој треба да се испрати, консултирајте се со експерт за опасни материјали. Исто така, следете ги потенцијално подеталните национални правила. Залепете ги со леплива лента или маскирајте ги отворените контакти, а батеријата спакувајте ја, така што нема да се движи слободно во пакувањето.
11. Кога ја фрлате во отпад касетата за батеријата, извадете ја од алатот и фрлете ја на безбедно место. Почитувајте ги локалните законски прописи што се однесуваат на фрлање во отпад на батеријата.
12. Користете ги батериите само со производите назначени од Makita. Монтирањето батерии на неусогласените производи може да резултира со пожар, прекумерна топлина, експлозија или истекување на електролитот.
13. Доколку алатот не се користи подолг временски период, батеријата мора да се извади од алатот.
14. Пред и по употребата, касетата за батеријата може да прими топлина што може да предизвика изгореници или изгореници од ниска температура. Внимавајте како ракувате со жешките касети за батерии.
15. Не допирајте го терминалот на алатот непосредно по употребата бидејќи може да се загрее доволно за да предизвика изгореници.

16. Не дозволувајте деланки, прав или земја да се заглават во терминалите, отворите и жлебовите на касетата за батерија. Тоа може да резултира со слаба изведба или пад на напојувањето на алатот или касетата за батерија.
17. Освен ако алатката не поддржува употреба на електричните далноводи со висок напон во близина, не користете ја касетата за батерија во близина на електричните далноводи со висок напон. Тоа може да резултира со дефект или пад на напојувањето на алатот или касетата за батерија.
18. Држете ја батеријата подалеку од деца.

## ЧУВАЈТЕ ГО УПАТСТВОТО.

**▲ВНИМАНИЕ:** Користете само оригинални батерии на Makita. Користењето неоригинални батерии на Makita или батерии што се изменети може да резултира со распакување на батеријата, предизвикувајќи пожар, телесна повреда и оштетување. Тоа исто така ќе ја поништи гаранцијата на Makita за алатот и полначот на Makita.

## Совети за одржување максимален работен век на батеријата

1. Заменете ја касетата за батеријата пред целосно да се испразни. Секогаш запирајте ја работата со алатот и заменете ја касетата за батеријата кога ќе забележите дека алатот дава помала моќност.
2. Никогаш немојте да полните целосно полна касета за батерија. Прекумерното полнење го скратува работниот век на батеријата.
3. Полнете ја касетата за батеријата на собна температура од 10°C - 40°C. Дозволете загреаната касета за батерија да се олади пред да ја ставите на полнење.
4. Кога не ја користите касетата за батерија, извадете ја алатот или полначот.
5. Полнете ја касетата за батерија доколку не ја користите подолго време (повеќе од шест месеци).

## Важни безбедносни упатства за безжичниот уред

1. Не расклопувајте го или не експериментирајте со безжичниот уред.
2. Држете го безжичниот уред подалеку од мали деца. Доколку случајно се проголта, веднаш побарајте медицинска помош.
3. Користете го безжичниот уред само со алати од Makita.
4. Не изложувајте го безжичниот уред на дожд или влажни услови.
5. Не користете го безжичниот уред на места каде што температурата надминува 50°C.
6. Не работете со безжичниот уред на места каде што во близина има медицински инструменти, како пейсмејкери.

7. Не работете со безжичниот уред на места каде што во близина има автоматски уреди. Доколку работат, автоматските уреди може да развијат дефект или грешка.
8. Не работете со безжичниот уред на места со висока температура или места каде што може да се создаде статички електрицитет или електрична бучава.
9. Безжичниот уред може да создаде електромагнетни полиња (ЕМП), но тие не се штетни за корисникот.
10. Безжичниот уред е прецизен инструмент. Внимавајте да не го испуштите или удриете безжичниот уред.
11. Избегнувајте допирање на терминалот на безжичниот уред со голи раце или метални материјали.
12. Секогаш отстранувајте ја батеријата на алатот кога го инсталирате безжичниот уред на него.
13. Кога го отворате капакот на отворот, избегнувајте го местото на кое во отворот може да влезат прав и вода. Секогаш одржувајте го чист влезниот отвор.
14. Секогаш вметнувајте го безжичниот уред во правилната насока.
15. Не притискајте го копчето за активирање на безжичниот уред премногу силно и/или притискајте го копчето со предмет со остар раб.
16. Кога работите, секогаш затворајте го капакот на отворот.
17. Не отстранувајте го безжичниот уред од отворот додека алатот се напојува. Тоа може да предизвика дефект на безжичниот уред.
18. Не отстранувајте ја лепенката на безжичниот уред.
19. Не ставајте лепенка на безжичниот уред.
20. Не оставајте го безжичниот уред на место каде што може да се создаде статички електрицитет или електрична бучава.
21. Не оставајте го безжичниот уред на места подложни на голема топлина, како автомобил што е на сонце.
22. Не оставајте го безжичниот уред на место исполнето со прашина или прав или на место каде што може да се создаде корозивен гас.
23. Ненадејната промена на температурата може да го навлажни безжичниот уред. Не користете го безжичниот уред додека влагата не се исуши целосно.
24. Кога го чистите безжичниот уред, нежно бришете го со сува, мека крпа. Не користете бензин, разредувач, спроводливо средство за подмачкување или слично.
25. Кога го складирате безжичниот уред, чувајте го во испорачаната кутија или сад без статика.
26. Не вметнувајте други уреди освен безжичниот уред на Makita во отворот на алатот.
27. Не користете го алатот со оштетен капак на отворот. Водата, правот и нечистотијата што влегуваат во отворот може да предизвикаат дефект.
28. Не влечете го и/или не виткајте го капакот на отворот повеќе отколку што е потребно. Вратете го капакот доколку се извади од алатот.
29. Заменете го капакот на отворот ако се изгуби или оштети.

## ЧУВАЈТЕ ГО УПАТСТВОТО.

## ОПИС НА ДЕЛОВИТЕ

### ► Сл.2

1	Имбус-клуч	2	Завртка за нагодување (за максимален капацитет на сечење)	3	Завртка за нагодување (за долна гранична положба)	4	Рака за стопирање
5	Копче за безжично активирање	6	Ламбичка за безжично активирање	7	Копче за смукане	8	Копче за ламба
9	Штитник за сечилото	10	Табла со засеци	11	Дршка (за вртлива основа)	12	Бројчник на држачот (за аголот на закосеност)
13	Лост за отпуштање (за вртлива основа)	14	Завртка за нагодување (за вртлива основа)	15	Насочни граничници	16	Покажувач (за агол на спој)
17	Скала на аголот на спој	18	Вртлива основа	19	Подбаза	20	Вертикално менгеме
21	Лост за отпуштање (за агол на закосеност од десна страна)	22	Завртка за нагодување на 45° (за агол на закосеност од десна страна)	23	Завртка за нагодување на 0° (за агол на закосеност)	24	Водилка за прав
25	Скала на аголот на закосеност од десна страна	26	Покажувач (за агол на закосеност од десна страна)	27	Осигурувач за стопирање (за лизгање на носачот)	28	Лизгачки столб
29	Капак (за безжичен уред)	-	-	-	-	-	-

### ► Сл.3

1	Отвор за катанец	2	Прекинувач за стартување	3	Копче за деблокирање	4	Рачка за носење
5	Касета за батерија	6	Црево за отстранување прав	7	Скала на аголот на закосеност од лева страна	8	Покажувач (за агол на закосеност од лева страна)
9	Лост за отпуштање (за агол на закосеност од 48°)	10	Завртка за нагодување на 45° (за агол на закосеност од лева страна)	11	Блокада на оската	12	Вреќа за прав (кога се заменува со црево за отстранување прав)

## МЕСТЕЊЕ

### Монтирање на работна маса

**▲ПРЕДУПРЕДУВАЊЕ:** Уверете се дека алатот не може да се движи на површината на која е поставен. Движењето на аголната пила на површината на која е поставена при сечењето може да резултира со загуба на контролата и сериозна телесна повреда.

1. Зацврстете ја основата на рамна и стабилна површина, завртувајќи со завртките. Тоа помага во спречувањето на превртување и можна повреда.

► Сл.4: 1. Завртка 2. Дупка за монтирање

2. Вртете ја завртката за нагодување надесно или налево така што ќе дојде во допир со подната површина за да се одржува стабилноста на алатот.

► Сл.5: 1. Завртка за нагодување

### Инсталирање на црево за отстранување прав

Поврзете го црево за отстранување прав на алатот како што е прикажано на сликата.

Осигурете се дека зглобот и кошулката соодветно се вклопуваат на отворите на алатот.

► Сл.6: 1. Црево за отстранување прав 2. Зглоб 3. Кошулка 4. Отвор

За отстранување на зглобот од портата, повлечете го додека притискате на копчето за блокирање.

За отстранување на кошулката од портата, свртете ја надесно и потоа разделете ја.

► Сл.7: 1. Зглоб 2. Копче за блокирање 3. Кошулка 4. Отвор

## ОПИС НА ФУНКЦИЈЕ

**▲ПРЕДУПРЕДУВАЊЕ:** Секогаш уверете се дека алатот е исклучен и касетата за батеријата е извадена пред да направите нагодување или проверка на функциите на алатот. Ако не го исклучите алатот и не ја извадите касетата за батеријата, може да дојде до тешка телесна повреда предизвикана од случајно стартување.

### Монтирање или отстранување на касетата за батеријата

**▲ВНИМАНИЕ:** Секогаш исклучувајте го алатот пред ставањето или вадењето на касетата за батеријата.

**▲ВНИМАНИЕ:** Држете ги алатот и касетата за батеријата цврсто кога ја монтирате или вадите касетата за батеријата. Ако не ги држите цврсто алатот и касетата за батеријата, тие може да се лизнат од вашите раце и да дојде до нивно оштетување, како и до телесна повреда.

► Сл.8: 1. Црвен индикатор 2. Копче 3. Касета за батерија

За да ја извадите касетата за батеријата, повлечете ја од алатот додека го лизгате копчето на предната страна на касетата.

За вметнување на касетата за батеријата, порамнете го јазичето на касетата со жлебот во куќиштето и лизнете го во место. Вметнете ја до крај додека не се блокира во место при што ќе се слушне мало кликнување. Ако можете да го видите црвениот индикатор на горната страна од копчето, тоа значи дека не е заклучена целосно во место.

**▲ВНИМАНИЕ:** Секогаш монтирајте ја касетата за батеријата целосно додека црвениот индикатор не се изгасне. Во спротивно, може ненадејно да испадне од алатот предизвикувајќи ви повреда вам или на некој друг околу вас.

**▲ВНИМАНИЕ:** Немојте да ја монтирате касетата за батеријата на сила. Ако касетата не може да се лизне лесно, тоа значи дека не е поставена правилно.

## Систем за заштита на алатот/батеријата

Алатот е опремен со систем за заштита на алатот/батеријата. Овој систем автоматски го прекинува напојувањето на моторот за да го продолжи работниот век на алатот и на батеријата. Алатот автоматски ќе се исклучи за време на работењето ако тој или батеријата се најдат под еден од следниве услови:

### Заштита од преоптоварување

Кога со алатот/батеријата се работи на начин што предизвикува повлекување прекумерно висока струја, алатот автоматски се исклучува. Во таква ситуација, исклучете го алатот и запрете со примената што предизвикала негово преоптоварување. Потоа, повторно вклучете го алатот.

### Заштита од прегревање

Кога алатот/батеријата се прегреани, алатот автоматски запира. Во оваа ситуација, оставете алатот/батеријата да се олади пред повторно да го вклучите.












### Заштита од прекумерно празнење

Кога капацитетот на батеријата ќе падне на ниско ниво, алатот автоматски се исклучува. Ако производот не работи дури ни кога прекинувачите ќе се вклучат или исклучат, извадете ги батериите од алатот и наполнете ги.

## Укажување на преостанатиот капацитет на батеријата

Притиснете го копчето за проверка на касетата за батеријата за укажување на преостанатиот капацитет на батеријата. Индикаторските ламбички светнуваат неколку секунди.

► **Сл.9:** 1. Индикаторски ламбички 2. Копче за проверка

Индикаторски ламбички			Преостанат капацитет
 Запалено	 Исклучено	 Трепка	
			75% до 100%
			50% до 75%
			25% до 50%
			0% до 25%
			Наполнете ја батеријата.
 ↑ ↓ 			Батеријата можеби е неисправна.

**НАПОМЕНА:** Во зависност од условите на користење и амбиенталната температура, индикацијата може да се разликува во мала мера од реалниот капацитет.

**НАПОМЕНА:** Првата (најлево) ламбичка на индикаторот ќе трепка кога работи системот за заштита на батеријата.

## Блокирање на рачката

**⚠ВНИМАНИЕ:** Секогаш држете ја рачката кога го ослободувате осигурувачот за стопирање. Во спротивно, рачката ќе се активира, а тоа може да резултира со телесна повреда.

Кога алатот се испорачува од фабриката, рачката е блокирана во спуштена положба со осигурувачот за стопирање. За да ја одблокирате рачката, повлечете го осигурувачот за стопирање и ротирајте го за 90° истовремено спуштајќи ја рачката малку.

► **Сл.10:** 1. Блокирана положба 2. Неблокирана положба 3. Осигурувач за стопирање

## Заклучување на лизгачот

Повлечете го осигурувачот за стопирање и свртете го за 90° во неблокирана положба за да се овозможи слободно движење на носачот. За блокирање на лизгачото движење на носачот, притиснете го носачот кон раката додека не застане, а потоа вратете го осигурувачот за стопирање во блокирана положба.

► **Сл.11:** 1. Блокирана положба 2. Неблокирана положба 3. Осигурувач за стопирање 4. Рака

## Заштитник на сечилото

**⚠ПРЕДУПРЕДУВАЊЕ:** Никогаш немојте да ги оневозможувате или вадите штитникот за сечило или пружината прикачена на штитникот. Изложеното сечило како резултат на оневозможен штитник може да резултира со тешка телесна повреда за време на работата.

**⚠ПРЕДУПРЕДУВАЊЕ:** Никогаш не користете го алатот ако штитникот за сечило и пружината се оштетени, неисправни или отстранети. Ако работите со алатот со оштетен, неисправен или отстранет штитник, може да дојде до тешка телесна повреда.

**⚠ВНИМАНИЕ:** Секогаш одржувајте го штитникот за сечилото во добра состојба за безбедно работење. Веднаш запрете со работење доколку има каква било неправилност на штитникот за сечилото. Проверете за да се уверите дали функционира пружината за повратно дејство на штитникот.

Кога ја сплуштате рачката, штитникот за сечило автоматски се подигнува. Штитникот е затегнат за да се враќа во почетната положба кога ќе заврши сечењето и рачката ќе се подигне.

► **Сл.12:** 1. Заштитник на сечилото

## Чистење

Ако просирниот штитник за сечило се извалка или на него се залепи прав на таков начин што сечилото и/или работниот материјал не е веќе видлив, отстранете ја касетата за батеријата и внимателно исчистете го штитникот со влажна крпа. Не користете растворувачи или какви било средства за чистење на база на бензин врз пластичниот штитник бидејќи тоа може да предизвика оштетување на штитникот.

Следете ги упатствата чекор по чекор наведени на начинот на подготовка за чистење.

1. Осигурете се дека алатката е исклучена и дека касетата за батерија е извадена.

2. Отстранете ја завртката со имбус глава во насока спротивна на стрелките на часовникот, користејќи го испорачаниот имбус клуч така што ќе го држите средишниот капак.

3. Подигнете ги штитникот на сечилото и средишниот капак.

4. Кога чистењето е завршено, вратете го средишниот капак и стегнете ја завртката со имбус глава, извршувајќи ги чекорите опишани погоре по обратен редослед.

5. Осигурете се дека сте ги вратиле сечилото на циркуларната пила и централниот капак на нивните првобитни позиции и стегнете ја завртката со имбус-глава.

► **Сл.13:** 1. Имбус-клуч 2. Завртка со имбус-глава 3. Средишен капак 4. Штитник за сечилото

**▲ ПРЕДУПРЕДУВАЊЕ:** Не отстранувајте ја пружината што го држи штитникот на сечилото. Ако штитникот се оштети со текот на времето или поради изложување на ултравиолетова светлина, обратете се во сервисен центар на Makita за замена. **НЕМОЈТЕ ДА ГО БЛОКИРАТЕ ИЛИ ВАДИТЕ ШТИТНИКОТ.**

## Позиционирање на основата со засеци

Овој алат доаѓа со вградени табли со засеци во вртливата основа за сведување на минимум на абелењето на излезната страна од засекот. Таблите со засеци се фабрички нагодени, така што сечилото на циркуларната пила не е во допир со таблите со засеци. Пред употребата, нагодете ги таблите со засеци на следниот начин:

1. Осигурете се дека сте ја извадиле касетата за батеријата. Потоа олабавете ги сите шрафови (по три од левата и од десната страна) прицврстувајќи ги таблите со засеци.

► **Сл.14:** 1. Табла со засеци 2. Завртка

2. Повторно стегнете ги само до степен при кој таблите со засеци можат лесно да се придвижуваат со рака.

3. Целосно спуштете ја рачката, а потоа повлечете го и турнете го осигурувачот за стопирање за да ја блокирате рачката во спуштената положба.

4. Повлечете го и свртете го осигурувачот за стопирање на лизгачкиот столб за да се овозможи лизгање на носачот.

► **Сл.15:** 1. Осигурувач за стопирање

5. Целосно повлечете го носачот кон вас.

6. Нагодете ги таблите со засеци, така што само ќе ги допираат страните од запците на сечилото.

► **Сл.16**

► **Сл.17:** 1. Сечило 2. Запци од сечилото 3. Табла со засеци 4. Лево закошено сечење

5. Праволиниско сечење 6. Десно закошено сечење

7. Стегнете ги предните завртки (не стегнувајте ги цврсто).

8. Лизнете го носачот надолу кон средината помеѓу предниот крај од таблите со засеци и насочните граничници. Нагодете ги таблите со засеци, така што само ќе ги допираат страните од запците на сечилото.

9. Стегнете ги централните шрафови (не стегнувајте ги цврсто).

10. Турнете го носачот целосно кон насочните граничници и потоа нагодете ги таблите со засеци, така што само ќе ги допираат страните од запците на сечилото.

11. Стегнете ги задните шрафови (не стегнувајте ги цврсто).

12. Откако ќе ги нагодите таблите со засеци, ослободете го осигурувачот за стопирање за блокирање на рачката и подигнете ја рачката. Потоа, цврсто стегнете ги сите шрафови.

**ЗАБЕЛЕШКА:** Откако ќе го поставите аголот на закосување, уверете се дека таблите со засеци се правилно нагодени. Правилното нагодување на основите со засеци ќе помогне во обезбедувањето правилна поддршка на работниот материјал и намалување на неговото абелење.

## Одржување максимален капацитет на сечење

Овој алат е фабрички нагоден да обезбедува максимален капацитет на сечење за сечило од 216 мм.

Кога монтирате ново сечило на циркуларната пила, секогаш проверувајте ја долната гранична положба на сечилото и, ако е потребно, нагодете ја на следниов начин:

1. Извадете ја касетата за батеријата. Потоа турнете го носачот целосно кон насочниот граничник и целосно спуштете ја рачката.

► **Сл.18:** 1. Завртка за нагодување 2. Насочен граничник

2. Користете имбус клуч за да ја завртите навртката за нагодување додека сечилото на циркуларната пила полека не се најде под циркуларниот дел од насочниот граничник и горната површина на вртливата основа.

► **Сл.19**



3. Вртете го сечилото со рака додека ја држите рачката целосно спуштена за да се осигурите дека сечилото на циркуларната пила не допира ниту еден од деловите на долната основа. Ако е потребно, извршете мали нагодувања.

**▲ ПРЕДУПРЕДУВАЊЕ:** По монтирањето на сечилото на циркуларната пила и со отстранетата касета за батерија, секогаш уверете се дека сечилото не допира ниту еден од деловите на долната основа кога рачката е целосно спуштена. Ако сечилото на циркуларната пила дојде во контакт со основата, може да предизвика повратен удар и да резултира со тешка телесна повреда.

► Сл.20

## Рака за стопирање

Долната гранична положба на сечилото на циркуларната пила може лесно да се нагоди со раката за стопирање. За да ја нагодите, поместете ја раката за стопирање во насока на стрелката како што е покажано на сликата. Свртете ја завртката за нагодување, така што сечилото да запира во саканата положба кога рачката целосно ќе се спушти.

► Сл.21: 1. Имбус-клуч 2. Завртка за нагодување  
3. Рака за стопирање

**▲ ВНИМАНИЕ:** Секогаш држете ја рачката цврсто кога нагодувате. Во спротивно, може да дојде до отскокнување на носачот и телесна повреда.

## Нагодување на аголот на спојот

**▲ ВНИМАНИЕ:** По промената на аголот на спојот, секогаш прицврстувајте ја вртливата основа со враќање на лостот за отпуштање во блокирана положба и со цврсто стегнување на држачот.

**ЗАБЕЛЕШКА:** Кога ја вртите вртливата основа, целосно подигнувајте ја рачката.

1. Ротирајте ги држачот налево и притиснете го надолу лостот за отпуштање во неблокирана положба.
  2. Држете го и замавнете го држачот од една на друга страна за да ја свртите основата.
  3. Изедначете го покажувачот со саканиот агол на скалата на аголот на спојот.
  4. Притиснете го лостот за отпуштање во блокирана положба и затегнете го држачот.
- Сл.22: 1. Држач 2. Лост за отпуштање 3. Блокирана положба 4. Неблокирана положба  
5. Покажувач 6. Скала на аголот на спој

## Функција на позитивно запирање

Оваа аголна пила располага со функција на позитивно стопирање. Брзо може да поставите десен/лев агол на спој од 0°, 15°, 22,5°, 31,6°, 45° и 60°.

1. Свртете ја основата на саканиот позитивен агол на стопирање додека го притискате надолу лостот за отпуштање во неблокираната положба.
2. Намерно притиснете го лостот за отпуштање нагоре до половина помеѓу неблокираната и блокираната положба.

3. Свртете ја основата на саканиот позитивен агол на стопирање додека не се зацврсти.

4. Притиснете го лостот за отпуштање нагоре во блокирана положба и стегнете го држачот.

- Сл.23: 1. Агол на позитивно запирање 2. Лост за отпуштање 3. Блокирана положба  
4. Неблокирана положба 5. Држач

## Нагодување на аголот на закосеност

**▲ ВНИМАНИЕ:** По промената на надолжниот кос агол, секогаш прицврстувајте ја раката стегнувајќи бројчениот на држачот надесно.

**ЗАБЕЛЕШКА:** Секогаш отстранувајте ги горните насочени граничници и вертикалните менгемиња пред да го нагодите аголот на закосеност.

**ЗАБЕЛЕШКА:** Кога го навалувате сечилото на циркуларната пила, осигурете се дека носачот е целосно подигнат.

**ЗАБЕЛЕШКА:** Кога ги менувате аглите на закосеност, позиционирајте ги повторно таблите со засеци соодветно како што е објаснето во делот за позиционирање табли со засеци.

**ЗАБЕЛЕШКА:** Не затегнувајте го бројчениот на држачот премногу силно. На тој начин може да се предизвика дефект на механизмот за блокирање на аголот на закосеност.

## Навалување на сечилото на циркуларната пила налево

1. Ротирајте го бројчениот на држачот налево.
  2. Држете ја рачката и навалете го носачот налево.
  3. Изедначете го покажувачот со саканиот агол на скалата на аголот на закосеност.
  4. Стегнете го бројчениот на држачот надесно за да ја прицврстите раката.
- Сл.24: 1. Бројчениот на држачот 2. Рачка  
3. Покажувач 4. Скала на аголот на закосеност

## Навалување на сечилото на циркуларната пила надесно

1. Ротирајте го бројчениот на држачот налево.
  2. Држете ја рачката и лесно навалете го носачот налево.
  3. Навалете го носачот надесно додека го повлечувате лост за отпуштање за агол на закосеност од десна страна.
  4. Изедначете го покажувачот со саканиот агол на скалата на аголот на закосеност.
  5. Стегнете го бројчениот на држачот надесно за да ја прицврстите раката.
- Сл.25: 1. Бројчениот на држачот 2. Рачка 3. Лост за отпуштање за агол на закосеност од десна страна 4. Покажувач 5. Скала на аголот на закосеност

## Навалување на сечилото на циркуларната пила надвор од опсегот од 0° - 45°

1. Ротирајте го бројченикот на држачот налево.
  2. Држете ја рачката и навалете го носачот низ 45°, налево или надесно.
  3. Лесно повлечете го држачот назад и свртете го лост за отпуштање за десен агол на закосеност од 48° во насока надесно.
  4. Навалете го држачот уште налево или надесно додека го држите лостот отпуштен.
  5. Стегнете го бројченикот на држачот надесно за да ја прицврстите раката.
- **Сл.26:** 1. Бројченик на држачот 2. Рачка 3. Лост за отпуштање за десен агол на закосеност од 48°

## Вклучување

**▲ ПРЕДУПРЕДУВАЊЕ:** Пред да ја вметнете касетата(ите) за батеријата во алатот, секогаш проверувајте дали прекинувачот за стартување функционира правилно и дали се враќа во положбата „OFF“ кога ќе се отпушти. Не повлекувајте го силно прекинувачот за стартување без да го притиснете копчето за одблокирање. Тоа може да предизвика дефект на прекинувачот. Ако работите со алат чиј прекинувач не работи исправно, може да дојде до загуба на контролата и тешка телесна повреда.

**▲ ПРЕДУПРЕДУВАЊЕ:** НИКОГАШ не користете го алатот ако прекинувачот не е целосно функционален. Секој алат со неисправен прекинувач е МНОГУ ОПАСЕН и мора да се поправи пред натамошна употреба, во спротивно, може да дојде до тешка телесна повреда.

**▲ ПРЕДУПРЕДУВАЊЕ:** НИКОГАШ не оневозможувајте го копчето за блокирање туркајќи го надолу или на друг начин. Прекинувачот со поништено копче за блокирање може да резултира со ненамерно стартување на алатот и тешка телесна повреда.

**▲ ПРЕДУПРЕДУВАЊЕ:** НИКОГАШ не користете го алатот ако работи со едноставно повлекување на прекинувачот без да се притисне копчето за блокирање. Прекинувачот што треба да се поправи може да резултира со ненамерно стартување на алатот и тешка телесна повреда. Вратете го алатот во сервисен центар на Makita за соодветна поправка ПРЕД натамошна употреба.

- **Сл.27:** 1. Прекинувач за стартување 2. Копче за блокирање 3. Отвор за катанец

За да не се повлече прекинувачот за стартување случајно, обезбедено е копче за блокирање. За да го стартувате алатот, притиснете го копчето за блокирање и повлечете го прекинувачот за стартување. Отпуштете го прекинувачот за стартување за да сопре. На прекинувачот за стартување има отвор за вметнување катанец за заклучување на алатот.

**▲ ПРЕДУПРЕДУВАЊЕ:** Не користете заклучување со шипка или кабел со дијаметар помал од 6,35 мм. Шипката или кабелот со помал дијаметар може да не го заклучат алатот целосно во исклучената положба и може да дојде до ненамерно вклучување што ќе резултира со тешка телесна повреда.

## Лиеење на линијата за сечење

**▲ ВНИМАНИЕ:** Ламбичката не е отпорна на дожд. Не мијте ја ламбичката со вода и не користете ја на дожд или во влажни подрачја. Во спротивно, може да дојде до струен удар и испарување.

**▲ ВНИМАНИЕ:** Не допирајте ја леќата на ламбичката бидејќи е многу жешка додека свети или кратко време откако ќе се исклучи. Ова може да предизвика изгореници.

**▲ ВНИМАНИЕ:** Не чукајте ја ламбата затоа што можете да ја оштетите или да го намалите нејзиниот работен век.

**▲ ВНИМАНИЕ:** Не гледајте директно во светлината или во изворот на светлина.

LED-ламбичката фрла светлина над сечилото на циркуларната пила, а сенката од сечилото паѓа врз работниот материјал што служи како индикатор на линијата за сечење без калибрација. Притиснете го копчето за ламбичката за да фрлите светлина. Се појавува линија во која сечилото ќе ја допре површината од работниот материјал, станувајќи подлабок додека сечилото се спушта.

- **Сл.28:** 1. Копче за ламба 2. Ламба 3. Линија за сечење

Индикаторот помага во засекот низ постојната линија за сечење што е исцртана на работниот материјал.

1. Држете ја рачката и спуштете го сечилото на циркуларната пила така што ќе се фрла густа сенка на работниот материјал.
2. Порамнете ја линијата за сечење што е исцртана на работниот материјал со засенчената линија за сечење.
3. Нагодете ги аглите на спојот и аглите на закосеност, ако е потребно.

**НАПОМЕНА:** Исклучете го прекинувачот на ламбичката по употребата, бидејќи нејзиното вклучување ја троши енергијата на батеријата.

**НАПОМЕНА:** Светлото автоматски се гаси 5 минути откако ќе ја прекинете работата.

## Електронска функција

### Електрична сопирачка

Алатот е опремен со електрична сопирачка на сечилото. Ако алатот постојано не успева брзо да прекине да функционира по отпуштање на прекинувачот за стартување, алатот треба да се однесе на сервис во сервисен центар на Makita.

### Избирање постојана брзина

Алатот е опремен со електронска контрола на брзината што помага во одржувањето константна брзина на ротација на сечилото дури и со оптоварување. Константната брзина на ротација на сечилото ќе резултира со многу мазно сечење.

### Одлика за меко стартување

Оваа функција овозможува лесно стартување на алатот со ограничување на стартниот вртежен момент.

## СОСТАВУВАЊЕ

**▲ ПРЕДУПРЕДУВАЊЕ:** Пред да работите на алатот, секогаш проверувајте дали тој е исклучен и касетата за батеријата е извадена. Ако не го исклучите алатот и не ја извадите касетата за батеријата, може да дојде до тешка телесна повреда.

### Складирање на имбус-клучот

Кога не се користи, складирајте го имбус-клучот како што е покажано на сликата за да не го изгубите.

► **Сл.29:** 1. Имбус-клуч

### Отстранување и поставување нож за пилата

**▲ ПРЕДУПРЕДУВАЊЕ:** Секогаш проверувајте дали алатот е исклучен и касетата за батерија е извадена пред вадење и монтирање на сечилото на циркуларната пила. Случајното стартување на алатот може да резултира со тешка телесна повреда.

**▲ ПРЕДУПРЕДУВАЊЕ:** За вадење и монтирање на сечилото на циркуларната пила, користете го само испорачаниот клуч од Makita. Ако не се користи клучот, може да дојде до претегнување или недоволно стегање на завртката со имбус-глава и да дојде до тешка телесна повреда.

**▲ ПРЕДУПРЕДУВАЊЕ:** Никогаш не користете ги или заменувајте ги деловите што не се доставени со алатот. Користењето на таквите делови може да предизвика тешки телесни повреди.

**▲ ПРЕДУПРЕДУВАЊЕ:** Откако ќе го монтираше сечилото на циркуларната пила, секогаш проверувајте дали е монтирано безбедно. Лабаво прикачување на сечилото на циркуларната пила може да предизвика тешки телесни повреди.

## Вадење на сечилото

За да го извадите сечилото на циркуларната пила, извршете ги следниве чекори:

1. Блокирајте го носачот во подигната положба повлекувајќи го вртејки го лостот за стопирање во блокирана положба.  
► **Сл.30:** 1. Осигурувач за стопирање
2. Употребете го имбус-клучот за да ја олабавите завртката со имбус-глава што го држи средишниот капак. Потоа подигнете ги штитникот на ножот и средишниот капак.  
► **Сл.31:** 1. Имбус-клуч 2. Завртка со имбус-глава 3. Средишен капак 4. Заштитник на сечилото
3. Притиснете ја блокадата на оската за да го блокирате вретеното и со помош на имбус-клучот, олабавете ја завртката со имбус-глава вртејќи ја надесно. Потоа, извадете ги завртката со имбус-глава, надворешната фланша и сечилото на циркуларната пила.  
► **Сл.32:** 1. Завртка со имбус-глава (лево-насочна) 2. Надворешна фланша 3. Блокада на оската
4. Ако внатрешната фланша е извадена, монтирајте ја на оската со делот за монтирање на сечилото свртен кон сечилото на циркуларната пила. Ако фланшата е монтирана неправилно, ќе има триење помеѓу фланшата и машината.  
► **Сл.33:** 1. Надворешна фланша 2. Сечило на циркуларна пила 3. Внатрешна фланша 4. Завртка со имбус-глава (лево-насочна) 5. Вретено 6. Дел за монтирање на сечилото

### Монтирање на сечилото

**▲ ВНИМАНИЕ:** Осигурете се дека сте го монтирале сечилото на циркуларната пила така што насоката на стрелката на сечилото се совпаѓа со онаа на куќиштето на сечилото. Во спротивно, може да дојде до телесна повреда и да се предизвика оштетување на алатот и/или работниот материјал.

За да го монтирате сечилото на циркуларната пила, извршете ги следниве чекори:

1. Внимателно монтирајте го сечилото на циркуларната пила на надворешната фланша. Уверете се дека насоката на стрелката на сечилото на циркуларната пила се совпаѓа со насоката на стрелката на куќијата од сечилото.  
► **Сл.34:** 1. Стрелка
2. Монтирајте ги надворешната фланша и завртката со имбус-глава, а потоа со помош на имбус-клучот, цврсто стегнете ја завртката со имбус-глава (со лев навој) налево додека притискате на блокадата на оската.
3. Вратете ги штитникот на ножот и централниот капак во почетната положба. Потоа стегнете ја завртката со имбус-глава на средишниот капак за да го прицврстите.
4. Повлечете го и свртете го лостот за стопирање за да го ослободите носачот од поткренатата позиција. Спуштете го носачот и проверете дали штитникот за ножот се движи соодветно.

## За алат со внатрешна фланша за нож за пила со дијаметар од 15,88 мм

### Конкретно за држава

Монтирајте ја внатрешната фланша со вдлабнатата страна свртена на надвор врз монтажната оска и потоа поставете сечило на циркуларната пила, надворешна фланша и имбус-завртка.

- **Сл.35:** 1. Надворешна фланша 2. Сечило на циркуларна пила 3. Внатрешна фланша 4. Завртка со имбус-глава (лево-насочна) 5. Вретено 6. Вдлабната страна

## За алат со внатрешна фланша за нож за пила различен од оние со дијаметар на отворот од 25,4 мм или 30 мм

### Конкретно за држава

Внатрешната фланша има одреден дијаметар на делот за монтирање на сечилото на едната страна и поинаков дијаметар на делот за монтирање на сечилото на другата страна. Изберете ја правилната страна на која делот за монтирање на сечилото идеално одговара на отворот на сечилото на циркуларната пила.

- **Сл.36:** 1. Надворешна фланша 2. Сечило на циркуларна пила 3. Внатрешна фланша 4. Завртка со имбус-глава (лево-насочна) 5. Вретено 6. Дел за монтирање на сечилото

**▲ВНИМАНИЕ:** Уверете се дека делот за монтирање на сечилото „а“ на внатрешната фланша, што е поставена надвор, идеално одговара на отворот на сечилото на циркуларната пила „а“. Ако сечилото на циркуларната пила се монтира на погрешната страна, може да настанат опасни вибрации.

## Поврзување вакуумска смукалка

Кога сакате да извршите чисто сечење, поврзете правосмукалка Makita на смукалката за прав (горен отвор за прав) користејќи предни додатоци 24 (опционален додаток).

- **Сл.37:** 1. Предни додатоци 24 2. Црево 3. Правосмукалка

## Вреќа за прав

**▲ВНИМАНИЕ:** При сечење, секогаш прикачувајте ја вреќата за прав или поврзете правосмукалка за да се спречат опасности поврзани со прав.

Ако користите вреќа за прав, чистењето и собирањето прав ќе биде едноставно. За да ја прикачите вреќата за прав, отстранете го цревото за отстранување прав од алатот и поврзете ја вреќата за прав на смукалката за прав (горен отвор за прав).

- **Сл.38:** 1. Црево за отстранување прав 2. Вреќа за прав 3. Смукалка за прав (горен отвор за прав)

Кога вреќата за прав е речиси полуполна, отстранете ја од алатот и извлечете ја слојката. Испразнете ја содржината од вреќата за прав, нежно потчукувајќи ја за да се отстранат делчињата кои се задржуваат во внатрешноста, што можат да пречат при следното собирање.

- **Сл.39:** 1. Спојка

## Обезбедување на работниот материјал

**▲ПРЕДУПРЕДУВАЊЕ:** Многу е важно секогаш да го прицврстувате работниот материјал правилно со соодветен вид на менгеме. Во спротивно, може да дојде до тешка телесна повреда и да се предизвика оштетување на алатот и/или работниот материјал.

**▲ПРЕДУПРЕДУВАЊЕ:** Кога сечете работен материјал што е подолг од потпорната основа на пилата, потпрете ја целата должина на материјалот надвор од потпорната основа и на иста височина за да се одржува материјалот рамен. Правилната потпора на работниот материјал помага во избегнувањето на заглавување на сечилото и може повратен удар што може да резултира со тешка телесна повреда. Не потпирајте се само на вертикалното и/или хоризонталното менгеме за прицврстување на работниот материјал. Слабиот материјал има тенденција да се витка. Потпрете го работниот материјал по целата негова должина за да избегнете заглавување на сечилото и може повратен удар.

- **Сл.40:** 1. Потпора 2. Вртлива основа

## Насочни граничници

**▲ПРЕДУПРЕДУВАЊЕ:** Пред да започнете со работа со алатот, осигурете се дека горниот граничник е добро прицврстен.

**▲ПРЕДУПРЕДУВАЊЕ:** Пред да започнете со надолжно косо сечење, осигурете ниту еден дел од алатот, особено ножот, да не ги допира горниот и долниот граничник кога рачката целосно ќе се подигне или ќе се спушти во која било положба и додека се движи носачот низ целата негова патека. Ако алатот или ножот дојдат во допир со граничникот, тоа може да резултира со повратен удар или неочекувано движење на материјалот и тешка телесна повреда.

Користете горни граничници за поддршка на материјал кој е повисок од долните граничници. Олабавете го стезниот шраф така што горните граничници се лизгаат внатре и надвор над долните граничници. Сменете ја положбата на граничниците и потоа стегнете го шрафот.

- **Сл.41:** 1. Горен граничник 2. Долен граничник 3. Стезна завртка 4. Завртка за нагодување

**ЗАБЕЛЕШКА:** Долните граничници се фиксирани фабрички на основата. Не отстранувајте ги долните граничници.

**ЗАБЕЛЕШКА:** Ако горниот граничник е сè уште лабав по затегнувањето на стезните завртки, свртете ја завртката за нагудување за да го затворите јазот. Завртката за нагудување е фабрички нагодена. Не морате да ја користите доколку не е потребно.

## Вертикално менгеме

**▲ ПРЕДУПРЕДУВАЊЕ:** Работниот материјал мора да биде добро прицврстен до вртливата основа и насочните граничници со менгемето за време на целата работа. Ако работниот материјал не е правилно прицврстен до граничниот, материјалот може да се движи за време на сечењето и да предизвика можно оштетување на ножот, предизвикувајќи материјалот да биде отфрлен и да дојде до загуба на контролата предизвикувајќи тешка телесна повреда.

Вертикалното менгеме може да се монтира во две положби, секој од левата или десната страна на основата. Вметнете ја шипката на менгемето во едниот од отворите во основата.

Позиционирајте ја раката на менгемето во согласност со дебелината и обликот на работниот материјал и прицврстете ја рацката на менгемето со стегнување на клемастата завртка. Доколку стезната завртка дојде во допир со носачот, монтирајте ја на спротивната страна на рацката на менгемето. Погрижете се ниту еден дел од алатот да не биде во допир со менгемето кога целосно ќе ја сплустите рацката. Ако некој дел дојде во допир со менгемето, одново позиционирајте го менгемето.

Притиснете го работниот материјал до насочните граничници и вртливата основа. Позиционирајте го работниот материјал на саканата положба за сечење и прицврстете го со стегнување на тркалото на менгемето.

► **Сл.42:** 1. Дупки 2. Шипка на менгеме 3. Рачка на менгеме 4. Шраф за стегање 5. Копче на менгеме

## Хоризонтално менгеме

### Опционален прибор

**▲ ПРЕДУПРЕДУВАЊЕ:** Секогаш вртете го држачот за навртки надесно додека работниот материјал не се прицврсти добро. Ако работниот материјал не е добро прицврстен, материјалот може да се придвижи за време на сечењето и да предизвика можно оштетување на сечилото на циркуларната пила што ќе предизвика материјалот да биде отфрлен и загуба на контрола што може да резултира со тешка телесна повреда.

**▲ ПРЕДУПРЕДУВАЊЕ:** Кога сечете слаб работен материјал, како на пример, основни греди, со граничниот, секогаш користете го хоризонталното менгеме.

**▲ ВНИМАНИЕ:** Кога сечете работен материјал со дебелина од 20 мм или помала, осигурете се дека користите парче-сепаратор за обезбедување на работниот материјал.

Хоризонталното менгеме може да се монтира или од левата или од десната страна на основата. Кога изведувате напредно косо сечење под агол од 22,5° или поголем, монтирајте го хоризонталното менгеме од страната што е спротивна на насоката во која треба да се сврти вртливата основа. Со превртување на држачот за навртки налево, менгемето се ослободува и нагло почнува да се движи навнатре и нанадвор. За да го прицврстите работниот материјал, туркајте го копчето на менгемето нанапред додека плочата на менгемето не дојде во допир со работниот материјал, а потоа, превртете го држачот за навртки надесно. Потоа, стегнете го копчето на менгемето надесно за да го прицврстите работниот материјал.

► **Сл.43:** 1. Плоча на менгеме 2. Држач за навртки 3. Копче на менгеме

**НАПОМЕНА:** Максималната широчина на работен материјал што може да се прицврсти со хоризонталното менгеме е 68 мм.

## Подбаза

**▲ ПРЕДУПРЕДУВАЊЕ:** Секогаш поддржувајте го долгиот работен материјал за да биде во рамна положба со горната површина на вртливата основа за да се изведе прецизно сечење и да се спречи опасноста од загуба на контролата. Правилната поддршка на работниот материјал ќе помогне да се избегне заглавување на ножот и можен повратен удар што може да резултира со тешка телесна повреда.

**▲ ПРЕДУПРЕДУВАЊЕ:** Пред да започнете со сечење, секогаш проверувајте дали подбазите се затegnати со шрафовите.

За да се држат долгите работни материјали хоризонтално, се обезбедуваат подбазите од двете страни на алатот. Олабавете ги шрафовите и издолжете ги подбазите на соодветна должина за да го држат работниот материјал. Потоа стегнете ги шрафовите.

► **Сл.44:** 1. Подбаза 2. Завртка

Кога сечете, поставете го работниот материјал рамно на насочните граничници.

► **Сл.45:** 1. Насочен граничник 2. Подбаза

## РАБОТЕЊЕ

Овој алат е наменет за сечење дрвени производи. Со соодветни оригинални ножеви за пила на Makita, може да се сечат и следниве материјали:

— Алуминиумски производи  
Погледнете на нашата веб-страница или контактирајте со локалниот продавач на Makita за да дознаете точно кои сечила на циркуларната пила треба да се користат за материјалот што треба да го сечете.

**▲ ПРЕДУПРЕДУВАЊЕ:** Осигурете се дека сечилото на циркуларната пила не е во допир со работниот материјал и други предмети пред да се вклучи прекинувачот. Ако алатот се вклучи додека сечилото на циркуларната пила е во допир со работниот материјал, може да настане повратен удар и да дојде до тешка телесна повреда.

**▲ ПРЕДУПРЕДУВАЊЕ:** По сечењето, не подигнувајте го сечилото на циркуларната пила додека целосно не застане. Ако се подигне ножот што слободно врти, може да дојде до тешка телесна повреда и оштетување на работниот материјал.

**▲ ПРЕДУПРЕДУВАЊЕ:** Не вршете никакви нагудувања како што се вртење на дршките, лостовите и осигурувачот за стопирање на алатот додека се врти сечилото на циркуларната пила. Нагудување додека се врти сечилото на циркуларната пила може да резултира со тешка телесна повреда.

**ЗАБЕЛЕШКА:** Пред да го користите, отклучете го осигурувачот за стопирање и отпуштете ја рачката од спуштена положба.

**ЗАБЕЛЕШКА:** Не применувајте преголем притисок на рачката при сечењето. Употребата на преголема сила може да резултира со преоптоварување на моторот и/или намалување на ефикасноста на сечењето. Притиснете ја надолу рачката само со онолку сила колку што е потребно за мазно сечење и без значајно намалување на брзината на сечилото.

**ЗАБЕЛЕШКА:** Притиснете ја рачката нежно за да го извршите сечењето. Ако рачката се притисне со сила или ако се примени странична сила врз неа, сечилото на циркуларната пила може да почне да вибрира и да остави трага (трага од пила) во работниот материјал, а прецизноста на сечењето може да се наруши.

**ЗАБЕЛЕШКА:** При потезно сечење, бавно туркајте го носачот кон насочниот граничник без запирање. Ако движењето на носачот запре за време на сечењето, може да остане трага во работниот материјал и да се наруши прецизноста на сечењето.

## Сечење со притискање

**▲ ПРЕДУПРЕДУВАЊЕ:** Секогаш заклучувајте го лизгачкото движење на носачот при сечење со притискање. Сечењето без заклучување може да предизвика можен повратен удар што може да резултира со тешка телесна повреда.

Работни материјали до 70 мм височина и 92 мм ширина може да се сечат на следниов начин.

1. Притиснете го носачот кон насочните граничници додека не застане и заклучете го со осигурувачот за стопирање.
  2. Прицврстете го работниот материјал со соодветниот тип на менгеме.
  3. Вклучете го алатот, така што сечилото на циркуларната пила нема да допира ништо и почекајте сечилото да постигне полна брзина пред да го спуштите.
  4. Нежно спуштете ја рачката во целосно спуштена положба за да го пресечете работниот материјал.
  5. Откако ќе завршите со сечењето, исклучете го алатот и почекајте додека сечилото на циркуларната пила не запре целосно пред да го вратите во неговата целосно подигната положба.
- **Сл.46:** 1. Осигурувач за стопирање

## Потезно сечење (туркање) (сечење широки работни материјали)

**▲ ПРЕДУПРЕДУВАЊЕ:** Кога извршувате потезно сечење, прво повлечете го носачот целосно кон вас и притиснете ја рачката целосно надолу, а потоа, турнете го носачот кон насочниот граничник. Никогаш не започнувајте со сечењето ако носачот не е целосно повлечен кон вас. Ако го извршувате потезното сечење без носачот да е целосно повлечен кон вас, може да настане неочекуван повратен удар и да резултира со тешка телесна повреда.

**▲ ПРЕДУПРЕДУВАЊЕ:** Никогаш не обидувајте се да изведете потезно сечење со повлекување на носачот кон вас. Ако го повлечете носачот кон вас додека сечете, може да настане неочекуван повратен удар и да резултира со тешка телесна повреда.

**▲ ПРЕДУПРЕДУВАЊЕ:** Никогаш не изведувајте потезно сечење со рачката блокирана во спуштена положба.

1. Отклучете ги осигурувачите за стопирање за да може носачот слободно да се подига и лизга.
2. Прицврстете го работниот материјал со соодветниот тип на менгеме.
3. Целосно повлечете го носачот кон вас.

4. Вклучете го алатот, така што сечилото на циркуларната пила нема да допира ништо и почекајте сечилото да постигне полна брзина.
5. Притиснете ја рачката надолу и **туркајте го носачот кон насочните граничници и низ работниот материјал.**
6. Откако ќе завршите со сечењето, исклучете го алатот и **почекајте додека сечилото на циркуларната пила не запре целосно** пред да го вратите во неговата целосно подигната положба.
  - ▶ **Сл.47:** 1. Осигурувач за стопирање за блокирање на рачката 2. Осигурувач за стопирање за блокирање на лизгачот

## Сечење спој

Погледнете го делот за нагудување на аголот на спојот.

## Закосено сечење

**▲ ПРЕДУПРЕДУВАЊЕ:** Откако ќе го наместите сечилото на циркуларната пила за закосено сечење, осигурете се дека носачот и сечилото може слободно да се движат по своите патеки по целата должина на наменетото сечење пред да започнете да работите со алатот. Прекините во движењето на носачот или на сечилото на циркуларната пила за време на сечењето може да резултираат со повратен удар и тешка телесна повреда.

**▲ ПРЕДУПРЕДУВАЊЕ:** При закосено сечење, држете ги рацете надвор од патеката на движење на сечилото на циркуларната пила. Аголот на сечилото на циркуларната пила може да создаде забуна кај операторот во однос на реалната патека на движење на сечилото при сечењето и да дојде во допир со сечилото што ќе резултира со тешка телесна повреда.

**▲ ПРЕДУПРЕДУВАЊЕ:** Сечилото на циркуларната пила не треба да се подига додека не запре целосно. При закосено сечење, отсечокот од материјалот може да остане до сечилото на циркуларната пила. Ако сечилото на циркуларната пила се подигне додека не врти, отсечокот може да биде отфрлен од сечилото предизвикувајќи фрагментирање на материјалот што може да резултира со тешка телесна повреда.

**ЗАБЕЛЕШКА:** Кога ја притискате рачката надолу, применете притисок паралелно на сечилото на циркуларната пила. Ако се примени сила вертикално на вртливата основа или ако насоката на притисок се промени при сечењето, ќе се наруши прецизноста на сечењето.

1. Отстранете го горниот граничник од страната на која сакате да го навалите носачот.
2. Отклучете ги осигурувачите за стопирање за да може носачот слободно да се подига и лизга.
3. Нагодете го аголот на закосеност во согласност со постапката која е објаснета во делот за нагудување на аголот на закосеност. Потоа затегнете го бројченикот на држачот.

4. Прицврстете го работниот материјал со менгема.
5. Целосно повлечете го носачот кон вас.
6. Вклучете го алатот, така што сечилото на циркуларната пила нема да допира ништо и почекајте сечилото да постигне полна брзина.
7. Нежно спуштете ја рачката во целосно спуштена положба додека притискате паралелно со сечилото на циркуларната пила и **туркајте го носачот кон насочните граничници за да го пресечете работниот материјал.**
8. Откако ќе завршите со сечењето, исклучете го алатот и **почекајте додека сечилото на циркуларната пила не запре целосно** пред да го вратите во неговата целосно подигната положба.
  - ▶ **Сл.48**

## Комбинирано сечење

Комбинираното сечење е процес при кој аголот на закосеност се создава истовремено со сечењето на спојот на работниот материјал. Комбинираното сечење може да се извршува под аголот даден во табелата.

Агол на спој	Агол на закосеност
Лево и десно 0° - 45°	Лево и десно 0° - 45°

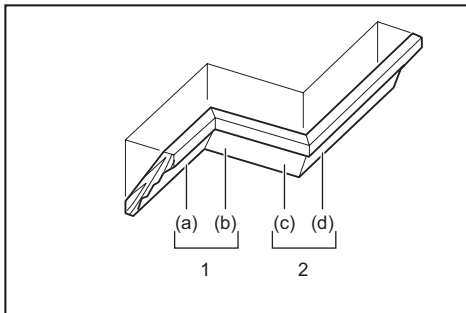
Кога изведувате комбинирано сечење, погледнете го делот за сечење со притискање, потезно сечење (туркање), напречно косо сечење и закосено сечење.

## Сечење крунски и кружни лајсни

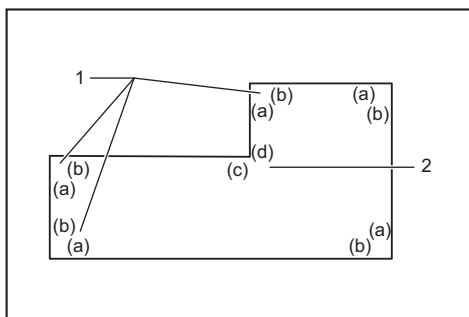
Крунските и кружните лајсни може да се сечат на комбинирана аголна пила со лајсните поставени во рамна положба на вртливата основа. Постојат два основни типа крунски лајсни и еден тип кружни лајсни; крунски лајсни за сиден агол со агли од 52/38°, крунски лајсни за сиден агол со агли од 45° и кружни лајсни за сиден агол со агли од 45°.

▶ **Сл.49:** 1. Тип крунски лајсни 52/38° 2. Тип крунски лајсни 45° 3. Тип кружни лајсни 45°

Постојат спојки за крунски и кружни лајсни што се направени да одговараат на „внатрешни“ агли од 90° ((a) и (b) на сликата) и „надворешни“ агли од 90° ((c) и (d) на сликата).



1. Внатрешен агол 2. Надворешен агол



1. Внатрешен агол 2. Надворешен агол

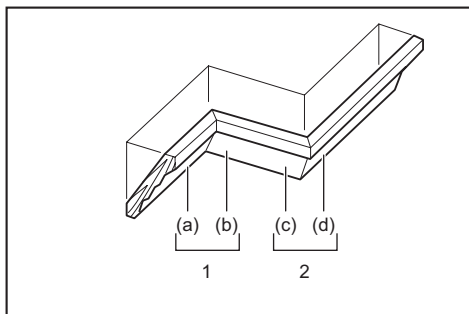
## Мерење

Измерете ја ширината на сидот и нагодете ја ширината на работниот материјал во согласност со неа. Секогаш уверете се дека ширината на работ што е во допир со сидот на работниот материјал е еднаква на должината на сидот.

► **Сл.50:** 1. Работен материјал 2. Ширина на сидот 3. Ширина на работниот материјал 4. Работ што е во допир со сидот

Секогаш употребувајте по неколку парчиња за пробно сечење за да ги проверите аглите на пилата. Кога сечете профили, поставете ги аголот на закосеност и аголот на спојот како што е назначено во табелата (А) и позиционирајте ги профилите на горната површина од основата на пилата како што е назначено во табелата (Б).

## Во случај на лево закосено сечење



1. Внатрешен агол 2. Надворешен агол

Табела (А)

–	Позиција на лајсни на сликата	Агол на закосеност		Агол на спој	
		Тип 52/38°	Тип 45°	Тип 52/38°	Тип 45°
За внатрешен агол	(a)	Лево 33,9°	Лево 30°	Десно 31,6°	Десно 35,3°
	(b)			Лево 31,6°	Лево 35,3°
За надворешен агол	(c)			Десно 31,6°	Десно 35,3°
	(d)				

Табела (Б)

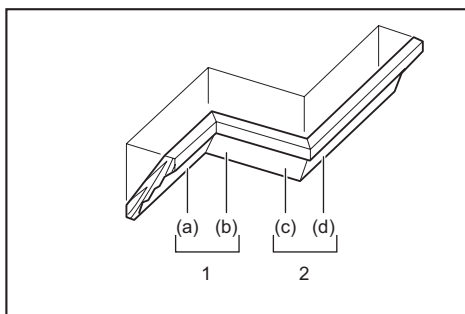
–	Позиција на лајсни на сликата	Агол на лајсни до насочниот граничник	Готово парче
За внатрешен агол	(a)	Работ што е во допир со таванот треба да биде до насочниот граничник.	Готовото парче треба да биде на левата страна од сечилото.
	(b)	Работ што е во допир со сидот треба да биде до насочниот граничник.	Готовото парче треба да биде на десната страна од сечилото.
За надворешен агол	(c)		
	(d)	Работ што е во допир со таванот треба да биде до насочниот граничник.	

Пример:

Во случај на сечење крунска лајсна од типот 52/38° за положбата (a) на горната слика:

- Навалете и прицврстете го нагодувањето на аголот на закосеност на 33,9° ЛЕВО.
- Наместете го и прицврстете го нагодувањето на аголот на спојот на 31,6° ДЕСНО.
- Поставете го профилот со неговата широка (скриена) површина на вртливата основа со неговиот РАБ ШТО ГО ДОПИРА ТАВАНОТ до насочниот граничник на пилата.
- Готовото парче што треба да се користи ќе биде секогаш на ЛЕВАТА страна од сечилото на циркуларната пила откако ќе се изврши сечењето.

## Во случај на десно закосено сечење



1. Внатрешен агол 2. Надворешен агол



Табела (А)

–	Позиција на лајсни на сликата	Агол на закосеност		Агол на спој	
		Тип 52/38°	Тип 45°	Тип 52/38°	Тип 45°
За внатрешен агол	(а)	Десно 33,9°	Десно 30°	Десно 31,6°	Десно 35,3°
	(б)			Лево 31,6°	Лево 35,3°
За надворешен агол	(с)			Десно 31,6°	Десно 35,3°
	(д)			Десно 31,6°	Десно 35,3°

Табела (Б)

–	Позиција на лајсни на сликата	Агол на лајсни до насочниот граничник	Готово парче
За внатрешен агол	(а)	Работ што е во допир со сидот треба да биде до насочниот граничник.	Готовото парче треба да биде на десната страна од ножот.
	(б)	Работ што е во допир со таванот треба да биде до насочниот граничник.	
За надворешен агол	(с)	Работ што е во допир со сидот треба да биде до насочниот граничник.	Готовото парче треба да биде на левата страна од ножот.
	(д)	Работ што е во допир со сидот треба да биде до насочниот граничник.	

Пример:

Во случај на сечење крунска лајсна од типот 52/38° за положбата (а) на горната слика:

- Навалете го и прицврстете го нагудувањето на надолжниот кос агол на 33,9° ДЕСНО.
- Наместете го и прицврстете го нагудувањето на аголот на спојот на 31,6° ДЕСНО.
- Поставете ја крунестата лајсна со (скриената) површина на широката страна на вртливата основа со РАБОТ ШТО Е ВО ДОПИР СО СИДОТ поставен до насочниот граничник на пилата.
- Готовото парче што ќе се користи секогаш ќе биде на ДЕСНАТА страна од сечилото на циркуларната пила откако ќе се изведе сечењето.

## Сечење алуминиумски профили

- **Сл.51:** 1. Менгеме 2. Парче-сепаратор 3. Насочен граничник 4. Алуминиумски профил 5. Парче-сепаратор

За прицврстување на алуминиумските профили, користете сепаратори или отпадни парчиња, како што е прикажано на сликата, за да спречите да дојде до деформирање на алуминиумот. Користете средство за подмачкување при сечење кога сечете алуминиумски профили за да спречите да настане таложење на алуминиумскиот материјал на сечилото на циркуларната пила.

**▲ ПРЕДУПРЕДУВАЊЕ:** Никогаш не обидувајте се да сечете дебели или кружни алуминиумски профили. Дебелите или кружните алуминиумски профили може да биде тешко да се прицврстат и работното парче може да се разлабава за време на сечењето што може да резултира со загуба на контрола и тешка телесна повреда.

## Сечење жлебови

**▲ ПРЕДУПРЕДУВАЊЕ:** Не обидувајте се да изведувате ваков тип сечење со користење поширок тип сечило или сечило за напречни полужлебови. Ако се обидете да изведете ваков тип сечење со користење поширок тип сечило или сечило за напречни полужлебови, може да дојде до неочекувани резултати од сечењето и да настане повратен удар кој може да резултира со тешка телесна повреда.

**▲ ПРЕДУПРЕДУВАЊЕ:** Осигурете се да ја вратите раката за стопирање во почетната положба кога изведувате друг вид сечење што не е сечење жлебови. Ако се обидете да изведувате сечење со раката за стопирање во неправилна положба, може да дојде до неочекувани резултати од сечењето и да настане повратен удар кој може да резултира со тешка телесна повреда.

За сечење чепови и жлебови за спојување, постапувајте на следниов начин:

1. Нагодете ја долната гранична положба на сечилото на циркуларната пила со помош на шрафот за нагудување и раката за стопирање за да ја ограничите длабочината на сечење на сечилото. Погледнете го делот за раката за стопирање.
2. Откако ќе ја нагодите долната гранична положба на сечилото на циркуларната пила, сечете паралелни жлебови напречно во работниот материјал со потезно сечење (со туркање).  
► **Сл.52:** 1. Сечење жлебови со сечило
3. Отстранете го работниот материјал помеѓу жлебовите со длето.

## Транспорт на алатот

Пред да го носите алатот, отстранете ја касетата за батеријата и обезбедете ги сите подвижни делови на пилата. Секогаш проверувајте го следново:

- Касетата на батеријата е отстранета.
- Носачот е на позиција со агол на закосеност од 0° и е обезбеден.
- Носачот е спуштен и заклучен.
- Носачот целосно се лига на насочните граничници и е заклучен.
- Вртливата основа е во позиција на целосен десен агол на спој и е обезбедена.
- Подбазите се складирали и обезбедени.

Носете го алатот за дршката или држејќи ги двете страни на неговата основа.

► **Сл.53**

► **Сл.54**

**▲ ПРЕДУПРЕДУВАЊЕ:** Осигурувачот за стопирање за кревање на носачот служи само за пренесување и складирање, а не за сечење. Користењето на осигурувачот за стопирање за сечење може да предизвика неочекувано движење на сечилото на циркуларната пила што може да резултира со повратен удар и тешка телесна повреда.

**▲ ВНИМАНИЕ:** Секогаш обезбедете ги сите подвижни делови пред да го пренесувате алатот. Ако делови на алатот се движат или се лизгаат додека се пренесува, може да дојде до губење на контролата или рамнотежата и да резултира со телесна повреда.

**▲ ВНИМАНИЕ:** Проверете дали подигањето на носачот е правилно блокирано во неговиот долен дел со осигурувачот за стопирање. Доколку осигурувачот за стопирање не е правилно активиран, носачот ненадејно може да скокне и да предизвика телесна повреда.

## ФУНКЦИЈА ЗА АКТИВИРАЊЕ НА БЕЗЖИЧНИОТ УРЕД

### Што може да направите со функцијата за активирање на безжичниот уред

Функцијата за активирање на безжичниот уред овозможува чисто и удобно работење. Со поврзување на поддржаната вакуумска правосмукалка, таа ќе работи автоматски заедно со менување на работата на алатот.

► **Сл.55**

За користење на функцијата за активирање на безжичниот уред, подгответе ги следниве ставки:

- безжичен уред (опционален додаток)
- вакуумска правосмукалка што ја поддржува функцијата за активирање на безжичниот уред

Прегледот на поставувањето на функцијата за активирање на безжичниот уред е следниот. Погледнете го секој дел за детални постапки.

1. Инсталирање на безжичниот уред
2. Регистрација на алатот за вакуумска правосмукалка
3. Стартување на функцијата за активирање на безжичниот уред

## Инсталирање на безжичниот уред

### Опционален прибор

**▲ ВНИМАНИЕ:** Поставете го алатот на рамна и стабилна површина кога го инсталирате безжичниот уред.

**ЗАБЕЛЕШКА:** Искристите го правот и нечистотијата на алатот пред да го инсталирате безжичниот уред. Правот или нечистотијата може да предизвикаат дефект доколку дојдат во отворот на безжичниот уред.

**ЗАБЕЛЕШКА:** За спречување дефект предизвикан од статички електрицитет, допрете материјал за статичко празнење, како метален дел од алатот, пред да го подигнете безжичниот уред.

**ЗАБЕЛЕШКА:** Кога го инсталирате безжичниот уред, секогаш проверувајте дали тој се вметнува во правилна насока и дали капакот е целосно затворен.

1. Отворете го капакот на алатот како што е покажано на сликата.

► **Сл.56:** 1. Капак

2. Вметнете го безжичниот уред во отворот и потоа затворете го капакот.

Кога го инсталирате безжичниот уред, порамнете ги издадените делови со вдлабнатите делови на отворот.

► **Сл.57:** 1. Безжичен уред 2. Издаден дел 3. Капак 4. Вдлабнат дел

Кога го отстранувате безжичниот уред, полека отворајте го капакот. Куките на задниот дел од капакот ќе го подигнат безжичниот уред додека го повлечувате.

► **Сл.58:** 1. Безжичен уред 2. Кука 3. Капак

По отстранувањето на безжичниот уред, чувајте го во испорачаната кутија или сад без статика.

**ЗАБЕЛЕШКА:** Секогаш користете ги куките на задниот дел од капакот кога го отстранувате безжичниот уред. Доколку куките на го фатат безжичниот уред, целосно затворете го капакот и потоа повторно отворете го.

## Регистрација на алатот за вакуумска правосмукалка

**НАПОМЕНА:** За регистрација на алатот е потребна вакуумска правосмукалка на Makita што ја поддржува функцијата за активирање на безжичниот уред.

**НАПОМЕНА:** Завршете го инсталирањето на безжичниот уред на алатот пред да ја стартувате регистрацијата на алатот.

**НАПОМЕНА:** Избегнувајте вклучување на следниве прекинувачи за време на регистрацијата на алатот:

- прекинувач за стартување на алатот
- прекинувач за смукање на алатот
- прекинувач за напојување на правосмукалката

**НАПОМЕНА:** Исто така, погледнете го прирачникот со упатства на вакуумската правосмукалка.

Доколку сакате да ја активирате вакуумската правосмукалка заедно со менувањето на работата на алатот, претходно завршете ја регистрацијата на алатот.

1. Монтирајте ги батериите на вакуумската правосмукалка и алатот.
2. Поставете го прекинувачот за режим на подготвеност на вакуумската правосмукалка на „AUTO“.  
► **Сл.59:** 1. Прекинувач за режим на подготвеност
3. Држете го копчето за активирање на безжичниот уред на вакуумската правосмукалка 3 секунди додека ламбичката за активирање на безжичниот уред не засветка зелено. И потоа на ист начин притиснете го копчето за активирање на безжичниот уред на алатот.  
► **Сл.60:** 1. Копче за активирање на безжичниот уред 2. Ламбичка за активирање на безжичниот уред

Доколку вакуумската правосмукалка и алатот се поврзат успешно, ламбичките за активирање на безжичниот уред ќе засветка зелено 2 секунди и ќе почнат да трепкаат сино.

**НАПОМЕНА:** Ламбичките за безжично активирање ќе престанат да трепкаат зелено по 20 секунди. Притиснете го копчето за безжично активирање на алатот додека трепка ламбичката за безжично активирање на правосмукалката. Доколку ламбичката за безжично активирање не трепка зелено, притиснете го кратко копчето за безжично активирање и повторно задржете го.

**НАПОМЕНА:** Кога изведувате една или повеќе регистрацији на алатот за една вакуумска правосмукалка, завршете ја регистрацијата на алатот едно по едно.

## Стартување на функцијата за активирање на безжичниот уред

**НАПОМЕНА:** Завршете ја регистрацијата на алатот за вакуумската правосмукалка пред активирање на безжичниот уред.

**НАПОМЕНА:** Исто така, погледнете го прирачникот со упатства на вакуумската правосмукалка.

По регистрирање на алатот на правосмукалката, таа ќе работи автоматски заедно со менувањето на работата на алатот. Повлечете го прекинувачот за стартување на алатот за функционирање на правосмукалката за време на работата. Правосмукалката исто така започнува да функционира со притискање на копчето за смукање на алатот вон од секое сечење.

### ► Сл.61

1. Монтирајте го безжичниот уред на алатот.
2. Поврзете го цреволото од вакуумската правосмукалка со алатот.

### ► Сл.62

3. Поставете го прекинувачот за режим на подготвеност на вакуумската правосмукалка на „AUTO“.

### ► Сл.63:

1. Прекинувач за режим на подготвеност
4. Кратко притиснете го копчето за активирање на безжичниот уред на алатот. Ламбичката за активирање на безжичниот уред ќе свети сино.  
► **Сл.64:** 1. Копче за активирање на безжичниот уред 2. Ламбичка за активирање на безжичниот уред

5. Повлечете го прекинувачот за стартување на алатот. Проверете дали вакуумската правосмукалка работи додека е повлечен прекинувачот за стартување.

6. Притиснете го копчето за смукање за функционирање на правосмукалката. Проверете дали ламбичката за безжично активирање свети сино, а правосмукалката продолжува да работи додека повторно го притиснете копчето.

7. За прекинување на смукањето, отпуштање на прекинувачот за стартување или повторно притиснете го копчето за смукање. Правосмукалката престанува да работи неколку секунди по работата на прекинувачот и потоа ламбичката се претвора во сино трепкање.

**НАПОМЕНА:** Статусот на прекинувачот (вклучување/исклучување на правосмукалката) може да се дознае во ламбичката за безжично активирање. За детали, погледнете го делот за опис на статусот на ламбичката за безжично активирање.

8. За запирање на активирањето на безжичниот уред на вакуумската правосмукалка, притиснете го копчето за активирање на безжичниот уред на алатот.

**НАПОМЕНА:** Ламбичката за активирање на безжичниот уред ќе престане да трепка сино кога нема работа 2 часа. Во овој случај, поставете го прекинувачот за режим на подготвеност на вакуумската правосмукалка на „AUTO“ и повторно притиснете го копчето за активирање на безжичниот уред на алатот.

**НАПОМЕНА:** Вакуумската правосмукалка стартува/запира со задоцнување. Постои временско задоцнување кога вакуумската правосмукалка открива менување на работата на алатот.

**НАПОМЕНА:** Далечината на пренос на безжичниот уред може да се разликува, зависно од условите на локацијата и околината.

**НАПОМЕНА:** Кога на правосмукалката се регистрирани два или повеќе алати, таа може да почне да работи дури и ако не го повлечете прекинувачот за стартување или вклучите копчето за смукање, бидејќи друг корисник ја користи функцијата за активирање на безжичниот уред.

## Опис на статусот на ламбичката за активирање на безжичниот уред

- **Сл.65:** 1. Ламбичка за активирање на безжичниот уред

Ламбичката за активирање на безжичниот уред го покажува статусот на функцијата за активирање на безжичниот уред. Погледнете ја табелата подолу за значењето на статусот на ламбичката.

Статус	Ламбичка за активирање на безжичниот уред			Времетраење	Опис
	Боја	<input type="checkbox"/> Вклучено	<input type="checkbox"/> Трепка		
Режим на готовност	Сино	<input checked="" type="checkbox"/>		2 часа	Активирањето на безжичниот уред на вакуумската правосмукалка е достапно. Ламбичката автоматски ќе се исклучи кога не се извршува работа 2 часа.
		<input type="checkbox"/>		Кога алатот работи.	Активирањето на безжичниот уред на вакуумската правосмукалка е достапно и алатот работи.
Регистрација на алатот	Зелено	<input checked="" type="checkbox"/>		20 секунди	Подготвено за регистрација на алатот. Се чека регистрација од вакуумската правосмукалка.
		<input type="checkbox"/>		2 секунди	Регистрацијата на алатот е завршена. Ламбичката за активирање на безжичниот уред ќе почне да свети сино.
Откажување на регистрацијата на алатот	Црвено	<input checked="" type="checkbox"/>		20 секунди	Подготвено за откажување на регистрацијата на алатот. Се чека откажување од вакуумската правосмукалка.
		<input type="checkbox"/>		2 секунди	Откажувањето на регистрацијата на алатот е завршено. Ламбичката за активирање на безжичниот уред ќе почне да свети сино.
Друго	Црвено	<input type="checkbox"/>		3 секунди	Безжичниот уред се напојува и се стартува функцијата за активирање на безжичниот уред.
	Исклучено	-		-	Активирањето на безжичниот уред на вакуумската правосмукалка е запрено.

### Откажување на регистрацијата за вакуумска правосмукалка

Извршете ја следнава постапка кога ја откажувате регистрацијата на алатот за вакуумска правосмукалка.

1. Монтирајте ги батериите на вакуумската правосмукалка и алатот.
  2. Поставете го прекинувачот за режим на подготвеност на вакуумската правосмукалка на „АУТО“.
- **Сл.66:** 1. Прекинувач за режим на подготвеност
3. Држете го копчето за активирање на безжичниот уред на вакуумската правосмукалка 6 секунди. Ламбичката за активирање на безжичниот уред трепка зелено, а потоа станува црвена. Потоа на ист начин притиснете го копчето за активирање на безжичниот уред на алатот.
- **Сл.67:** 1. Копче за активирање на безжичниот уред 2. Ламбичка за активирање на безжичниот уред

Доколку откажувањето се изврши успешно, ламбичките за активирање на безжичниот уред ќе засветат црвено 2 секунди и ќе почнат да трепкаат сино.

**НАПОМЕНА:** Ламбичките за безжично активирање ќе престанат да трепкаат црвено по 20 секунди. Притиснете го копчето за безжично активирање на алатот додека трепка ламбичката за безжично активирање на правосмукалката. Доколку ламбичката за безжично активирање не трепка црвено, притиснете го кратко копчето за безжично активирање и повторно задржете го.

## Решавање проблеми на функцијата за активирање на безжичниот уред

Пред да нарачате поправка, прво сами проверете ја состојбата. Ако најдете проблем што не е објаснет во упатството, не обидувајте се да го расклопите алатот. Наместо тоа, побарајте помош од овластените сервисни центри на Makita и секогаш користете делови за замена и поправка од Makita.

Состојба на аномалии	Можна причина (дефект)	Поправка
Ламбичката за активирање на безжичниот уред не свети/трепка.	Безжичниот уред не е инсталиран во алатот. Безжичниот уред е неправилно инсталиран во алатот.	Инсталирајте го безжичниот уред правилно.
	Терминалот на безжичниот уред и/или отворот се валкани.	Нежно избришете ги нечистотијата и правот од безжичниот уред и исчистете го отворот.
	Копчето за активирање на безжичниот уред на алатот не е притиснато.	Кратко притиснете го копчето за активирање на безжичниот уред на алатот.
	Прекинувачот за режим на подготвеност на вакуумската правосмукалка не е поставен на „AUTO“.	Поставете го прекинувачот за режим на подготвеност на вакуумската правосмукалка на „AUTO“.
	Нема напојување	Напојувајте ги алатот и вакуумската правосмукалка.
Регистрацијата на алатот/откажувањето на регистрацијата на алатот не може да се заврши успешно.	Безжичниот уред не е инсталиран во алатот. Безжичниот уред е неправилно инсталиран во алатот.	Инсталирајте го безжичниот уред правилно.
	Терминалот на безжичниот уред и/или отворот се валкани.	Нежно избришете ги нечистотијата и правот од безжичниот уред и исчистете го отворот.
	Прекинувачот за режим на подготвеност на вакуумската правосмукалка не е поставен на „AUTO“.	Поставете го прекинувачот за режим на подготвеност на вакуумската правосмукалка на „AUTO“.
	Нема напојување	Напојувајте ги алатот и вакуумската правосмукалка.
	Неправилна работа	Кратко притиснете го копчето за активирање на безжичниот уред и повторно извршете ја постапката за регистрација/откажување на регистрацијата на алатот.
	Алатот и вакуумската правосмукалка се оддалечени еден од друг (надвор од опсегот за пренос).	Приближете ги алатот и вакуумската правосмукалка еден до друг. Максималната далечина на преносот е околу 10 м, сепак може да се разликува зависно од околностите.
	Пред завршување на регистрацијата/откажувањето на алатот; - прекинувачот за стартување на алатот е повлечен или; - копчето са смукање на алатот е вклучено или; - копчето за напојување на правосмукалката е вклучено.	Кратко притиснете го копчето за активирање на безжичниот уред и повторно извршете ја постапката за регистрација/откажување на регистрацијата на алатот.
	Постапката за регистрација на алатот за алатот или вакуумската правосмукалка не е завршена.	Извршете ги постапките за регистрација на алатот истовремено за алатот и вакуумската правосмукалка.
Радиопречки од други уреди што создаваат радиобранови со висок интензитет.	Држете ги алатот и вакуумската правосмукалка подалеку од уредите како Wi-Fi-уреди и микробранови печки.	

Состојба на аномалии	Можна причина (дефект)	Поправка
Вакуумската правосмукалка не работи заедно со менувањето на работата на алатот.	Безжичниот уред не е инсталиран во алатот. Безжичниот уред е неправилно инсталиран во алатот.	Инсталирајте го безжичниот уред правилно.
	Терминалот на безжичниот уред и/или отворот се валкани.	Нежно избришете ги нечистотијата и правот од безжичниот уред и исчистете го отворот.
	Копчето за активирање на безжичниот уред на алатот не е притиснато.	Притиснете го кратко копчето за активирање на безжичниот уред и осигурете се дека ламбичката за активирање на безжичниот уред трепка сино.
	Прекинувачот за режим на подготвеност на вакуумската правосмукалка не е поставен на „AUTO“.	Поставете го прекинувачот за режим на подготвеност на вакуумската правосмукалка на „AUTO“.
	Повеќе од 10 алати се регистрирани на вакуумската правосмукалка.	Повторно извршете ја регистрацијата на алатот. Ако повеќе од 10 алати се регистрирани на вакуумската правосмукалка, алатот што е регистриран најрано ќе биде откажан автоматски.
	Правосмукалката не успеа успешно да ги регистрира алатите.	Обновете ги регистрацијата на алатите.
	Вакуумската правосмукалка ги избриша сите регистрацији на алатот.	Повторно извршете ја регистрацијата на алатот.
	Нема напојување	Напојувајте ги алатот и вакуумската правосмукалка.
	Алатот и вакуумската правосмукалка се оддалечени еден од друг (надвор од опсегот за пренос).	Приближете ги алатот и вакуумската правосмукалка еден до друг. Максималната далечина на преносот е околу 10 м, сепак може да се разликува зависно од околностите.
Правосмукалката работи додека не работат прекинувачите за алатот.	Радиопречки од други уреди што создаваат радиобранови со висок интензитет.	Држете ги алатот и вакуумската правосмукалка подалеку од уредите како Wi-Fi-уреди и микробранови печки.
	Други корисници го користат активирањето на безжичниот уред на вакуумската правосмукалка со нивните алати.	Исклучете го копчето за активирање на безжичниот уред на другите алати или откажете ја регистрацијата на алатот на другите алати.

## ОДРЖУВАЊЕ

**▲ ПРЕДУПРЕДУВАЊЕ:** Пред секоја проверка или одржување, секогаш проверувајте дали алатот е исклучен и касетата за батеријата е извадена. Ако касетата за батеријата не се отстрани и алатот не се исклучи, може да дојде до случајно стартување на алатот што може да резултира со тешка телесна повреда.

**▲ ПРЕДУПРЕДУВАЊЕ:** Секогаш одржувајте го сечилото на циркуларната пила остро и чисто за најдобра и најбезбедна изведба. Ако се обидете да сечете со истапено и/или нечист нож, може да настане повратен удар и да резултира со тешка телесна повреда.

**ЗАБЕЛЕШКА:** За чистење, не користете нафта, бензин, разредувач, алкохол или слично. Тие средства ја вадат бојата и може да предизвикаат деформации или пукнатини.

За да се одржи БЕЗБЕДНОСТА и СИГУРНОСТА на производот, поправките, одржувањата или дотерувањата треба да се вршат во овластени сервисни или фабрички центри на Makita, секогаш со резервни делови од Makita.

## Нагудување на аголот на сечење

Овој алат е внимателно фабрички нагоден и порамнет, но грубото работење со него може да влијае врз порамнувањето. Ако вашиот алат не е правилно порамнет, направете го следното:

### Агол на спој

Ротирајте го држачот налево и подгответе ја основата за функцијата на позитивно запирање со лостот за отпуштање. Потоа олабавете ги шрафовите што ги обезбедуваат покажувачот и скалата на аголот на спој.

► **Сл.68:** 1. Држач 2. Лост за отпуштање 3. Завртка на покажувачот 4. Завртки на скалата на аголот на спој 5. Скала на аголот на спој

Поставете ја вртливата основа на позиција 0° со помош на функцијата за позитивно стопирање. Порамнете ја страната на сечилото на циркуларната пила со лицето на насочниот граничник со помош на триаголен линијар или винкла. Додека го одржувате порамнувањето, затегнете ги шрафовите на скалата на аголот на спој. Потоа, усогласете го покажувачот со позицијата 0° на скалата на аголот на спој и тогаш затегнете го шрафот на покажувачот.

► **Сл.69:** 1. Триаголен линијар 2. Покажувач

## Агол на закосеност

### Агол на закосеност од 0°

Притиснете го носачот кон насочните граници и заклучете го потезното движење со осигурувачот за стопирање.

Спуштете го носачот целосно и блокирајте го во слуштената положба со осигурувачот за стопирање. Ротирајте го бројченикот на држачот налево и потоа свртете ја завртката за нагодување на 0° низ два или три вртежи налево за да го навалите сечилото на циркуларната пила надесно.

► **Сл.70:** 1. Бројченик на држачот 2. Завртка за нагодување на 0° 3. Шраф на покажувачот

Внимателно порамнете ја страната на сечилото на циркуларната пила со горната површина на вртливата основа со помош на триаголник или сл. вртејки ја надесно завртката за нагодување на 0°. Потоа затегнете го држачот цврсто за да го обезбедите аголот од 0° што сте го поставиле.

► **Сл.71:** 1. Триаголен линијар 2. Нож за пила 3. Горна површина на вртливата основа

Уште еднаш проверете дали страната на сечилото на циркуларната пила е порамнета со горната површина на вртливата основа. Олабавете го шрафот на покажувачот и потоа усогласете го покажувачот со позицијата 0° на скалата на аголот на спој и тогаш затегнете го шрафот на покажувачот.

### Агол на закосеност од 45°

**ЗАБЕЛЕШКА:** Пред да го нагодите аголот на закосеност од 45°, завршете со нагодувањето на аголот на закосеност од 0°.

Олабавете го бројченикот на држачот и целосно навалете го носачот на страната што сакате да ја проверите. Проверете дали покажувачот покажува позиција од 45° во размер на аголот на закосеност.

► **Сл.72:** 1. Бројченик на држачот

Ако покажувачот не укажува на позиција од 45°, изедначете го со позицијата од 45° со вртење на завртката за нагодување од 45°.

► **Сл.73:** 1. Завртка за нагодување десен агол од 45° 2. Завртка за нагодување лев агол од 45°

## Чистење на леќата на ламбата

**ЗАБЕЛЕШКА:** Не вадете ја завртката што ги прицврстува леќите. Ако леќите не излегуваат, олабавете ја завртката уште малку.

**ЗАБЕЛЕШКА:** Користете сува крпа за да ја избришете нечистотијата од леќата на ламбата. Внимавајте да не ја изгребете леќата на ламбата затоа што тоа може да го намали осветлувањето.

**ЗАБЕЛЕШКА:** Не користете растворувачи или какви било средства за чистење на база на бензин за чистење на леќата.

Тешко е да се види LED-светилката а кога леќата за светлина е валкана. Редовно чистете ја леќата.

Извадете ја касетата за батеријата. Олабавете го шрафот и извлечете ги леќите. Исчистете ги леќите нежно со мека влажна крпа.

► **Сл.74:** 1. Завртка 2. Леќи

## По употреба

По употребата, избришете ги делканиците и правот залепени на алатот со крпа или нешто слично. Одржувајте го штитникот на ножот чист во согласност со упатствата дадени во претходно споменатиот дел за штитник на ножот. Подмачкајте ги лизгачките делови со машинско масло за да спречите корозија.

## ОПЦИОНАЛЕН ПРИБОР

**▲ПРЕДУПРЕДУВАЊЕ:** Овие додатоци или прибор на Makita се препорачани за употреба со вашиот алат на Makita назначен во ова упатство. Користењето какви било други додатоци или прибор може да резултира со тешка телесна повреда.

**▲ПРЕДУПРЕДУВАЊЕ:** Користете го додатокот или приборот на Makita само за неговата пропишана намена. Злоупотребата на додаток или прибор може да резултира со тешка телесна повреда.

Ако ви треба помош за повеќе детали за приборот, прашајте во локалниот сервисен центар на Makita.

- Сечила со карбидни запци
- Вертикално менгеме
- Хоризонтално менгеме
- Вреќа за прав
- Триаголен линијар
- Имбус-клуч
- Безжичен уред
- Сталакти
- Оригинална батерија и полнач на Makita

**НАПОМЕНА:** Некои ставки на листата може да се вклучени со алатот како стандарден прибор. Тие може да се разликуваат од држава до држава.

## ТЕХНИЧКИ ПОДАЦИ

Модел:	LS002G
Пречник листа	216 мм
Пречник отвора (вретена) (у зависности од земље)	15,88 мм / 25,4 мм / 30 мм
Макс. дебљина реза листа тестере	2,4 мм
Макс. угао искошења	Лево 60°, десно 60°
Макс. угао закошења	Лево 48°, десно 48°
Брзина без оптерећења	4.800 мин <sup>-1</sup>
Димензије (Д x Ш x В)	702 мм x 551 мм x 557 мм
Номинални напон	DC 36 V – 40 V макс.
Нето тежина	16,4 – 17,0 кг

- На основу нашег непрестаног истраживања и развоја задржавамо право измена наведених техничких података без претходне најаве.
- Спецификације могу да се разликују у различитим земљама.
- Тежина може да се разликује у зависности од наставка, укључујући и уложак батерије. Најлакша и најтежа комбинација, према процедури ЕПТА 01/2014, приказане су у табели.

### Применљив уложак батерије и пуњач

Уложак батерије	BL4025 / BL4040
Пуњач	DC40RA

- Неки горенаведени улошци батерија и пуњачи можда неће бити доступни у зависности од места становања.






**▲УПОЗОРЕЊЕ:** Користите само горенаведене улошке батерије и пуњаче. Коришћење других уложака батерије и пуњача може узроковати повреде и/или пожар.

### Капацитет резања (В x Ш) са листом пречника 216 мм

Угао искошења	Угао закошења		
	45° (лево)	0°	45° (десно)
0°	50 мм x 312 мм	70 мм x 312 мм	30 мм x 312 мм
45° (лево и десно)	50 мм x 220 мм	70 мм x 220 мм	30 мм x 220 мм
60° (лево и десно)	–	70 мм x 155 мм	–

### Симболи

У наставку су приказани симболи који се односе на опрему. Пре употребе се обавезно упознајте са њиховим значењем.

	Прочитајте упутство за употребу.
	Да бисте избегли повреду од летећих опилчака, након резања оставите главу тестере у спуштеном положају све док се лист потпуно не заустави.
	Приликом клизног резања, најпре до краја повуците клизач и притисните ручку наниже, а потом гурните клизач ка паралелном граничнику.
	Приликом резања под углом, најпре отпустите стезни бројчаник и нагните клизач у жељени угао, а затим затегните стезни бројчаник.
	При нагињању листа тестере ван угла од 0° – 45°, полугу за отпуштање окрените удесно за угао закошења од 48°.



Немојте да стављате руку или прсте близу листа тестере.



Носите заштитне наочаре.



Немојте нетремице да гледате у укључену лампу.



Само за земље ЕУ  
Немојте да одлажете електричну опрему или батерију заједно са отпадом из домаћинства!  
У складу са европским директивама о електричном и електронском отпаду, батеријама и акумулаторима и истрошеним батеријама и акумулаторима и применом ових директива у складу са државним законима, електричну опрему, батерије и њихова паковања на крају радног века неопходно је одвојено прикупити и вратити у еколошки прихватљиво постројење за рециклажу.



## Намена

Алат је намењен за прецизно право и косо резање дрвета. Немојте да користите тестеру за резање било којих других материјала осим дрвета, алуминијума или сличних материјала.

## Бука

Типичан А-пондерисани ниво одређен је према стандарду EN62841-3-9:

Ниво звучног притиска ( $L_{pA}$ ): 89 dB (A)

Ниво звучне снаге ( $L_{WA}$ ): 100 dB (A)

Несигурност (K): 3 dB (A)

**НАПОМЕНА:** Декларисане вредности емисије буке су измерене према стандардизованом мерном поступку и могу се користити за упоређивање алата.

**НАПОМЕНА:** Декларисана вредност емисије буке се такође може користити за прелиминарну процену изложености.

**▲УПОЗОРЕЊЕ:** Носите заштитне слушалице.

**▲УПОЗОРЕЊЕ:** Емисије буке током стварне примене електричног алата могу се разликовати од декларисане вредности у зависности од начина на који се користи алат, а посебно која врста предмета се обрађује.

**▲УПОЗОРЕЊЕ:** Уверите се да сте идентификовали безбедносне мере за заштиту руковаоца које су засноване на процени изложености у стварним условима употребе (узимајући у обзир све делове радног циклуса, као што је време рада уређаја, али и време када је алат искључен и када ради у празном ходу).

## ЕЗ декларација о усаглашености

*Само за европске земље*

ЕЗ декларација о усаглашености део је Додатка А у овом приручнику са упутствима.

## БЕЗБЕДНОСНА УПОЗОРЕЊА

### Општа безбедносна упозорења за електричне алате

**▲УПОЗОРЕЊЕ:** Прочитајте сва безбедносна упозорења, упутства, илустрације и спецификације које су испоручене уз овај електрични алат. Непоштовање свих доле наведених безбедносних упутстава може изазвати електрични удар, пожар и/или озбиљну повреду.

### Сачувајте сва упозорења и упутства за будуће потребе.

Термин „електрични алат“ у упозорењима односи се на електрични алат који се напаја из електричне мреже (каблом) или батерије (без кабла).

## Безбедносна упутства за угаоне тестере

1. Угаоне тестере су намењене за резање дрвета и производа сличних дрвету и не могу да се користе за резање материјала који садрже двовалентно гвожђе, попут шипки, клинова итд. помоћу абразионог диска за одсецање. Абразивна прашина изазива заглављивање покретних делова, попут доњег штитника. Варнице од абразионог резања ће спалити доњи штитник, уложак са усевом и друге пластичне делове.
2. Нека предмет буде фиксиран у стеги кад год је то могуће. Ако радни комад држите у руци, рука увек мора да вам буде бар 100 мм удаљена од ма које стране листа тестере. Немојте овом тестером резати комаде који су превише мали да се безбедно ухвате стегом или држе руком. Ако вам рука буде преблизу листу тестере, повећава се ризик од повреде услед контакта са листом.
3. Радни комад не сме да се креће и мора да буде причвршћен у стеги или да се држи углављен између оградe и стола. Немојте гурати радни комад на лист нити га сећи „слободноручно“ ни у ком смислу. Нефиксиран и покретни радни комади могу да полете великом брзином и изазову повреду.
4. Гурајте тестеру кроз радни комад. Немојте вући тестеру кроз радни комад. Рез правите тако што подигнете главу тестере и поставите је на радни комад без резања, покретнете мотор, притиснете главом тестере надолe и прогурате тестеру кроз радни комад. Резање уз повлачење најчешће доводи до пењања листа тестере на врх радног комада и неконтролисаног скакања склопа листа ка руковаоцу.
5. Нипошто немојте пролазити руком преко планиране линије резања испред или иза листа тестере. Врло је опасно држати радни комад „укрштеним рукама“, односно левом руком држати радни комад десно од листа тестере или обрнуто.  
► Слика1
6. Не стављајте руку иза граничника на ближе од 100 мм у односу на било коју страну листа тестере, са циљем да уклоните дрвени отпад или из ма ког другог разлога, док се лист окреће. Близина између листа тестере који се окреће и ваше руке можда неће бити очигледна, па можете да задобијете тешку повреду.
7. Прегледајте радни комад пре резања. Ако је радни комад крив или упреден, стегните га тако да спољни део испупчења буде окренут ка граничнику. Обавезно се постарајте да нема размака између радног комада, граничника и стола дуж линије реза. Криви и упредени радни комади могу да се упреду или подигну и да изазову уклештење листа тестере током резања. У радном комаду не сме да буде ексера или страних предмета.
8. Не користите тестеру док са стола не склоните сав алат, дрвени отпад итд, сем радног комада. Ситни отпад, непричвршћени комади дрвета и други предмети који додиру лист који се врти могу да буду бачени великом брзином.

9. **Режите искључиво један по један радни комад.** Ако наслажете више радних комада један на други, нећете моћи правилно да их стегнете или причврстите и може да дође до укљештења листа тестере или подизања током резања.
  10. **Постарајте се да угаона тестера буде намонтирана или постављена на хоризонталну, чврсту радну површину пре коришћења.** Хоризонтална, чврста радна површина смањује ризик од дестабилизације угаоне тестере.
  11. **Испланирајте рад унапред. При свакој промени закошења или угла искошења проверите да ли је подесиви граничник правилно подешен за држање радног комада и да неће сметати листу тестере или систему штитника.** Без укључивања алата и без радног комада на столу симулирајте резање тако што ћете гурунути лист тестере дуж целог замишљеног реза да бисте се уверили да неће бити сметњи нити опасности од резања граничника.
  12. **Ако је радни комад шири или дужи од радне површине, обезбедите одговарајућа постоља, попут продужетка за радну површину, постоља за тестерисање итд.** Радни комади дужи или шири од радне површине угаоне тестере могу да се пре преврну ако се не фиксирају правилно. Ако се одсечени део или радни комад преврне, може да подигне доњи штитник или да полети кад га баци лист који се врти.
  13. **Не дозволите да друга особа држи радни комад уместо да га причврстите помоћу продужетка за радну површину или додатног постоља.** Нестабилно фиксирање радног комада може да доведе до укљештења листа тестере или подизања радног комада током резања, што би повукло вас и помагача на лист тестере који се врти.
  14. **Одсечени комад не сме ни на који начин да се притисне уз лист тестере који се врти.** Ако је дужина ограничена, тј. ако користите граничнике дужине, одрезани комад може да се укљести уз лист тестере и буде одбачен великом брзином.
  15. **Обавезно користите стегу или уређај за фиксирање пројектован да правилно држи предмете округлог профила, попут шипки и цеви.** Шипке имају склоност да се котрљају током резања, што доводи до „штипања“ и повлачења радног комада заједно са вашом руком ка листу тестере.
  16. **Сачекајте да лист тестере достигне пуну брзину пре него што га прислоните на радни комад.** Тиме ћете умањити ризик од одбацивања радног комада.
  17. **Ако се радни комад или лист тестере укљести, искључите угаону тестеру. Сачекајте да се сви покретни делови зауставе, па искључите утикач из утичнице и/или уклоните батерију. Затим ослободите укљештени материјал.** Ако наставите да режете укљештени радни комад, може да дође до губитка контроле или оштећења угаоне тестере.
  18. **По завршетку резања пустите прекидач, држите главу тестере доле и сачекајте да се лист заустави, па уклоните одрезани комад.** Опасно је примичати руку листу тестере који се још увек окреће.
  19. **Добро држите ручку док правите непотпун рез или док пуштате прекидач пре него што се глава тестере потпуно спусти.** Кочење тестере може да доведе до наглог повлачења главе тестере надоле, што ствара ризик од повреде.
  20. **Користите само лист тестере пречника који је назначен на алату или наведен у приручнику.** Коришћење сечива неодговарајуће величине може да утиче на правилну заштиту сечива или на функционисање штитника, што за последицу може да има тешке телесне повреде.
  21. **Користите само листове тестере чија је назначена брзина једнака брзини назначеној на алату или већа од ње.**
  22. **Немојте да користите тестеру за резање других материјала осим дрвета, алуминијума или сличних материјала.**
  23. **(Само за европске земље)**  
**Увек користите лист тестере који одговара стандарду EN847-1.**
- Додатна упутства**
1. **Радионицу заштитите од деце помоћу катанца.**
  2. **Немојте стајати на алату.** Може да дође до тешке повреде ако се резни алат преврне или ако дође до случајног контакта са резним алатом.
  3. **Немојте да остављате укључен алат без надзора. Искључите напајање. Не остављајте алат док се лист не заустави.**
  4. **Немојте руковати тестером без постављених штитника. Пре сваке употребе проверите да ли се штитник листа правилно затвара. Немојте да користите тестеру ако се штитник листа не креће слободно и не затвара тренутно. Никада немојте да причвршћујете ни фиксирате штитник листа у отвореном положају.**
  5. **Држите руке даље од путање листа тестере. Пазите да не дођете у додир са листом тестере који се још увек креће након искључивања алата. Он и тада може да изазове тешке повреде.**
  6. **Да бисте смањили ризик од повреде, вратите клизач у крајњи задњи положај након сваког покретног резања.**
  7. **Пре ношења алата увек фиксирајте све покретне делове.**
  8. **Клин за блокаду или ручица за блокаду, који закључавају главу тестере у доњем положају, намењени су искључиво за ношење и складиштење, а не за резање.**
  9. **Пре рада прегледајте пажљиво да лист не садржи пукотине или оштећења. Одмах замените напрсао или оштећен лист тестере. Смола и катран очврсли на листу успоравају тестеру и повећавају могућност повратног удара. Одржавајте лист чистим тако што ћете га прво скинути са алата, а затим очистити средством за скидање смоле и катрана, врућом водом или керозином. За чишћење листа тестере нипошто не користите бензин.**

## Важна безбедносна упутства која се односе на уложак батерије

10. Током клизног резања може да дође до ПОВРАТНОГ УДАРА. ПОВРАТНИ УДАР се јавља када се лист тестере укљешти у радном комаду роком резања, када лист тестере брзо скочи ка руковаоцу. Може да дође до губитка контроле и тешке телесне повреде. Ако лист почне да се заглављује током резања, одмах престаните са резањем и пустите прекидач.
11. Користите само прирубнице које су спецификацијом предвиђене за овај алат.
12. Водите рачуна да не оштетите вретено, прирубнице (посебно површину за постављање) или завртањ. Оштећење тих делова може да проузрокује пуцање листа.
13. Проверите да ли је обртно постоље добро причвршћено да се не би померало током рада. Помоћу рупа у постољу причврстите тестеру за стабилну радну платформу или клупу. НИПОШТО не користите алат ако је положај руковаоца чудан.
14. Проверите да ли је брава осовине отпуштена пре него што укључите прекидач.
15. Пазите да лист не додирује обртно постоље када је у најнижем положају.
16. Чврсто држите ручку. Имајте у виду да се тестера мало помера навише или наниже приликом покретања и заустављања.
17. Уверите се да лист не додирује радни комад пре укључивања прекидача.
18. Пре примене алата на радни комад пустите га да ради неко време. Проверите да ли долази до вибрација или подрхтавања које може бити последица неправилног постављања или неизбалансираног листа.
19. Одмах престаните са радом ако приметите ишта необично.
20. Немојте покушавати да закључате потезни прекидач у положају „укључено“.
21. Увек користите додатни прибор препоручен у овом упутству. Употреба неодговарајућег додатног прибора, као што су брусне плоче, може да доведе до повреде.
22. Неки материјали садрже хемикалије које могу да буду отровне. Будите опрезни да не би дошло до удисања прашине или контакта са кожом. Поштујте безбедносни лист добављача датог материјала.
23. Немојте користити кабл за напајање за овај алат.

### Додатна безбедносна правила за радну лампу

1. Немојте да гледате у лампу ни директно у извор светлости.

## САЧУВАЈТЕ ОВО УПУТСТВО.

**▲ УПОЗОРЕЊЕ:** НЕМОЈТЕ себи да дозволите да занемарите строга безбедносна правила која се односе на овај производ услед чињенице да сте производ добро упознали и стекли рутину у руковању њиме (услед честог коришћења). НЕНАМЕНСКА УПОТРЕБА или непоштовање безбедносних правила наведених у овом упутству могу довести до тешких телесних повреда.

1. Пре употребе улошка батерије, прочитајте сва упутства и безбедносне ознаке на (1) пуњачу батерије, (2) батерији и (3) производу који користи батерију.
2. Не растављајте и не модификујте уложак батерије. Тиме можете да изазовете пожар, прекомерно загревање или експлозију.
3. Ако се време рада знатно скратило, одмах престаните са коришћењем. То може да доведе до ризика од прегревања, могућих опекотина, па чак и експлозије.
4. Ако електролит доспе у очи, исперите их чистом водом и одмах затражите помоћ лекара. То може да доведе до губитка вида.
5. Немојте да изазивате кратак спој улошка батерије:
  - (1) Немојте додиривати прикључке било којим проводним материјалом.
  - (2) Избегавајте складиштење улошка батерије у кутији са другим металним предметима као што ексери, новчићи итд.
  - (3) Немојте да излажете уложак батерије води или киши.

Кратак спој батерије може да доведе до великог протока струје, прегревања, могућих опекотина, па чак и прегоривања.

6. Немојте да складиштите и користите алат и уложак батерије на местима где температура може да достигне или премаши 50 °C (122 °F).
7. Немојте да палите уложак батерије чак ни када је озбиљно оштећен или потпуно похабан. Уложак батерије може да експлодира у ватри.
8. Немојте да закивате, сечете, ломите, бацате или испуштате уложак батерије, или да њиме ударате по чврстој површини. На тај начин можете да изазовете пожар, прекомерно загревање или експлозију.
9. Немојте да користите оштећену батерију.
10. Садржане литијум-јонске батерије подлежу Закону о превозу опасних материја. Приликом комерцијалног превоза, нпр. од стране трећих лица и превозника, мора се обратити посебна пажња на специјалне захтеве паковања и обележавања. Приликом припреме материјала за превоз, потребно је саветовати се са стручњаком за опасне материје. Такође обратите пажњу на евентуалне даље националне прописе. Омотајте траком или прекријте отворене контакте и запакујте батерију тако да се не може померати унутар паковања.
11. Када одлажете уложак батерије на отпад, извадите га из алата и одложите на безбедно место. Придржавајте се локалних прописа у вези са одлагањем батерије.
12. Батерије користите само са производима које је навела компанија Makita. Постављање батерије на производе који нису усаглашени може да доведе до пожара, прекомерне топлоте, експлозије или цурења електролита.
13. Ако се алат не користи током дужег периода, батерија мора да се извади из алата.

14. Током и након коришћења, уложак батерије може да акумулира толико топлоте да то може довести до опекотина, уобичајених и нискотемпературних. Пажљиво рукујте врућим улошцима батерије.
15. Не додирујте контакте алата одмах након коришћења јер су можда толико врући да могу да изазову опекотине.
16. Водите рачуна да се струготина, прашина или земља не заглаве у контактима, рупицама и жлебовима улошка батерије. У супротном може доћи до лошег учинка или прегревања алата или улошка батерије.
17. Осим ако алат то не подржава, немојте да користите уложак батерије близу високонапонских разводних линија електричне струје. У супротном може доћи до квара или прегревања алата или улошка батерије.
18. Држите батерију ван домаћаја деце.

## САЧУВАЈТЕ ОВО УПУТСТВО.

**▲ПАЖЊА:** Користите само оригиналне Makita батерије. Коришћење Makita батерија које нису оригиналне или батерија које су измењене може да доведе до пуцања батерије, које може да изазове пожар, телесне повреде или штету. То ће такође поништити гаранцију компаније Makita за Makita алат и пуњач.

## Савети за максимално трајање батерије

1. Напуните уложак батерије пре него што се потпуно испразни. Сваки пут прекините рад са алатом и напуните уложак батерије када приметите да је снага алата слабија.
2. Никада немојте да поново пуните потпуно напуњени уложак батерије. Препуњавање скрађује радни век батерије.
3. Пуните уложак батерије на собној температури између 10°C и 40°C (између 50°F и 104°F). Сачекајте да се врући уложак батерије охлади пре пуњења.
4. Када не користите уложак батерије, извадите га из алата или пуњача.
5. Напуните уложак батерије ако га нећете користити дуже време (више од шест месеци).

## Важна безбедносна упутства која се односе на бежичну јединицу

1. Не растављајте и не модификујте бежичну јединицу.
2. Држите бежичну јединицу подаље од мале деце. Ако дође до случајног гутања јединице, одмах затражите лекарску помоћ.
3. Бежичну јединицу користите искључиво у комбинацији са Makita алатом.
4. Не излажите бежичну јединицу киши или влази.
5. Не користите бежичну јединицу на местима на којим температура премашује 50°C.
6. Не користите бежичну јединицу у близини медицинских инструмената, попут пејсмејкера.
7. Не користите бежичну јединицу у близини аутоматизованих уређаја. У супротном може да дође до квара или грешке аутоматизованог уређаја.
8. Не радите са бежичном јединицом на местима изложеним високи температурама или местима на којима могу да се јаве статички електрицитет или електрични шум.
9. Бежична јединица може да производи електромагнетна поља која нису штетна по корисника.
10. Бежична јединица је прецизни инструмент. Пазите да не испустите или не ударите бежичну јединицу.
11. Не додирујте контакте бежичне јединице голим рукама или металним предметима.
12. Обавезно извадите батерију из производа пре него што поставите бежичну јединицу.
13. Немојте отварати поклопац отвора на местима на којима прашина и вода могу да доспеју у отвор. Увек одржавајте улаз отвора чистим.
14. Увек пазите да бежична јединица при уметању буде правилно окренута.
15. Не притискајте дугме за бежично активирање на бежичној јединици прејакно / или предметом са оштром ивицом.
16. Обавезно вратите поклопац отвора пре почетка рада.
17. Не вадите бежичну јединицу из отвора док је алат под напоном. У супротном, може да дође до квара бежичне јединице.
18. Не скидајте налепницу са бежичне јединице.
19. Не стављајте налепнице на бежичну јединицу.
20. Не остављајте бежичну јединицу на местима на којима могу да се јаве статички електрицитет или електрични шум.
21. Не остављајте бежичну јединицу на месту изложеном великој топлоти, на пример у аутомобилу који стоји на сунцу.
22. Не остављајте бежичну јединицу на прашњавим местима или местима на којима може да се створи нагризајући гас.
23. Нагле промене температуре могу да изазову стварање росе на бежичној јединици. Не користите бежичну јединицу док роса потпуно не испари.
24. Бежична јединица се чисти пажљивим брисањем сувом, меком крпом. Не користите апотекарски бензин, разређивач, проводну маст и слична средства.
25. Бежична јединица се чува у добијеној кутији или амбалажи отпорној на статички електрицитет.
26. У отвор на алату не стављајте друге уређаје сем Makita бежичне јединице.
27. Не користите алат ако је поклопац отвора оштећен. Вода, прашина и прљавштина који уђу у отвор могу да изазову квар.
28. Не вуците и/или упредајте поклопац отвора више него што је неопходно. Вратите поклопац на алат ако сладне.
29. Замените поклопац отвора ако се изгуби или оштети.

## САЧУВАЈТЕ ОВО УПУТСТВО.

# ОПИС ДЕЛОВА

## ► Слика2

1	Имбус кључ	2	Завртањ за подешавање (за максимални капацитет резања)	3	Завртањ за подешавање (за доњи гранични положај)	4	Зауставна полуга
5	Дугме за бежично активирање	6	Лампица за бежично активирање	7	Дугме за усисавање	8	Дугме за лампу
9	Штитник листа	10	Резна плоча	11	Рукохват (за обртно постоље)	12	Стезни бројчаник (за угао закошења)
13	Полуга за отпуштање (за обртно постоље)	14	Завртањ за подешавање (за обртно постоље)	15	Паралелни граничници	16	Показивач (за угао искошења)
17	Скала угла искошења	18	Обртно постоље	19	Помоћна основа	20	Вертикална стега
21	Полуга за отпуштање (за десни угао закошења)	22	Завртањ за подешавање на 45° (за угао закошења)	23	Завртањ за подешавање на 0° (за угао закошења)	24	Штитник од прашине
25	Скала десног угла закошења	26	Показивач (за десни угао закошења)	27	Клин за блокаду (за померање клизача)	28	Клизна шипка
29	Поклопац (за бежичну јединицу)	-	-	-	-	-	-

## ► Слика3

1	Отвор за катанац	2	Окидач прекидача	3	Дугме за ослобађање из блокираног положаја	4	Ручка за ношење
5	Уложак батерије	6	Црево за избацивање прашине	7	Скала левог угла закошења	8	Показивач (за леви угао закошења)
9	Полуга за отпуштање (за угао закошења од 48°)	10	Завртањ за подешавање на 45° (за десни угао закошења)	11	Брава осовине	12	Врећа за прашину (када се замени цревом за избацивање прашине)

## ПОСТАВЉАЊЕ

### Постављање на радни сто

**▲ УПОЗОРЕЊЕ:** Постарајте се да се алат не помера по површини подлоге. Померање угаоне тестере по површини подлоге током резања може да доведе до губитка контроле и изазове тешке телесне повреде.

1. Причврстите основу за равну и стабилну подлогу помоћу завртња. Тиме ћете спречити превртање алата и могуће повреде.  
► **Слика4:** 1. Завртањ 2. Отвор за постављање
2. Окрените завртањ за подешавање у смеру кретања казаљке на сату или у супротном смеру тако да дође у додир са површином пода да би алат био стабилан.  
► **Слика5:** 1. Завртањ за подешавање

## Монтирање црева за избацивање прашине

Прикључите црево за избацивање прашине у алат као што је илустровано. Водите рачуна да коленасти прикључак и спојница добро належу на отворе алата.

- **Слика6:** 1. Црево за избацивање прашине  
2. Коленасти прикључак 3. Наглавак  
4. Отвор

Да бисте уклонили коленасти прикључак из отвора, повуците коленасти прикључак и истовремено притискајте дугме за закључавање.

Да бисте уклонили наглавак из отвора, окрените га удесно, а затим га повуците.

- **Слика7:** 1. Коленасти прикључак 2. Дугме за закључавање 3. Наглавак 4. Отвор

## ОПИС НАЧИНА ФУНКЦИОНИСАЊА

**▲УПОЗОРЕЊЕ:** Пре подешавања или провере функција алата увек проверите да ли је алат искључен и уложак батерије уклоњен. Ако се алат не искључи и не уклони уложак батерије, случајно покретање алата може да нанесе тешке телесне повреде.

## Постављање и уклањање улошка батерије

**▲ПАЖЊА:** Увек искључите алат пре постављања или уклањања улошка батерије.

**▲ПАЖЊА:** Држите чврсто алат и уложак батерије када постављате или уклањате уложак батерије. Ако алат и уложак батерије не budete држали чврсто, могу вам исклизнути из руку, оштетити се при паду и повредити вас.

► **Слика8:** 1. Црвени индикатор 2. Дугме 3. Уложак батерије

Да бисте уклонили уложак батерије, клизањем га извучите из алата док клизањем померате дугме на предњој страни улошка.

Да бисте поставили уложак батерије, поравнајте језичак на њему са жлебом на кућишту и гурните га на место. Гурните га до краја тако да легне на своје место и чује се тихо шкљоцање. Ако можете да уочите црвени индикатор на горњој страни дугмета, то значи да уложак батерије није потпуно закључан.

**▲ПАЖЊА:** Увек до краја гурните уложак батерије тако да се црвени индикатор не види. У супротном, он случајно може испасти из алата и повредити вас или неку особу у вашој близини.

**▲ПАЖЊА:** Немојте на силу да постављате уложак батерије. Ако уложак не можете лако да гурнете, то значи да га не постављате исправно.

## Систем за заштиту алата/батерије

Алат је опремљен системом за заштиту алата/батерије. Овај систем аутоматски прекида напајање мотора како би продужио век трајања алата и батерије. Алат ће се аутоматски зауставити током рада ако алат или батерија уђу у једно од следећих стања:

## Заштита од преоптерећења

Када се алатом/батеријом рукује тако да се вуче превише струје, алат аутоматски престаје са радом. У овој ситуацији, искључите алат и престаните са употребом која је довела до преоптерећења алата. Затим укључите алат да бисте га поново покренули.

## Заштита од прегревања

Када се алат/батерија прегреје, алат ће аутоматски престати да ради. У овој ситуацији, пустите да се алат/батерија охлади пре поновног укључења алата.















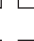


## Заштита од превеликог пражњења

Када се капацитет батерије смањи, алат аутоматски престаје са радом. Ако производ не ради чак ни када се активирају прекидачи, уклоните батерију из алата и напуните је.

## Приказ преосталог капацитета батерије

Притисните дугме за проверу на улошку батерије да бисте приказали преостали капацитет батерије. Индикаторске лампиче ће се укључити на неколико секунди.

► **Слика9:** 1. Индикаторске лампиче 2. Дугме за проверу

Индикаторске лампиче			Преостали капацитет
Светли	Искључено	Трепће	
			Од 75% до 100%
			Од 50% до 75%
			Од 25% до 50%
			Од 0% до 25%
			Напуните батерију.
			Могуће је да је батерија постала неисправна.
			

**НАПОМЕНА:** У зависности од услова коришћења и температуре околине, приказани капацитет може донекле да се разликује од стварног.

**НАПОМЕНА:** Прва (крајња лева) индикаторска лампича трепери када систем за заштиту батерије ради.

## Закључавање ручке

**▲ПАЖЊА:** Увек држите ручку при ослобађању клина за блокаду. У супротном, ручка ће одскочити навише и може изазвати телесне повреде.

Алат се из фабрике испоручује са ручком закључаном у слуштеном положају помоћу клина за блокаду. Да бисте откључали ручку, повуците клин за блокаду и заротирајте га 90° и мало спустите ручку.

► **Слика10:** 1. Закључани положај 2. Откључани положај 3. Клин за блокаду

## Закључавање клизача

Извучите клин за блокаду и окрените га за 90° у откључани положај да бисте омогућили слободно кретање клизача. Да бисте закључали клизач, гурните клизач према краку док се не заустави, а затим вратите клин за блокаду у закључани положај.

► **Слика11:** 1. Закључани положај 2. Откључани положај 3. Клин за блокаду 4. Крак

## Штитник листа

**▲УПОЗОРЕЊЕ:** Никада немојте да неутралишете или скидате штитник листа ни опругу причвршћену за штитник. Лист који је изложен услед неутралисаног штитника може да доведе до тешких телесних повреда током рада.

**▲УПОЗОРЕЊЕ:** Никада немојте да користите алат ако су штитник листа или опруга оштећени, неисправни или уклоњени. Руковање алатом с оштећеним, неисправним или уклоњеним штитником може да изазове тешке телесне повреде.

**▲ПАЖЊА:** Увек одржавајте штитник листа у добром стању да бисте осигурали безбедан рад. Одмах прекините рад ако постоје било какве неправилности у вези са штитником листа. Проверите да ли се штитник враћа под дејством опруге.

Када се спушта ручка, штитник листа се аутоматски подиже. Штитник ради под дејством опруге, па се враћа у свој првобитни положај када се резање заврши и када се ручка подигне.

► **Слика12:** 1. Штитник листа

## Чишћење

Ако се прозирни штитник листа испрља или се на њега нахвата пиљевина тако да лист и/или предмет обраде више нису лако видљиви, уклоните уложак батерије и пажљиво очистите штитник влажном тканином. Немојте да користите раствараче или средства за чишћење која садрже бензин на пластичном штитнику јер то може да га оштети. Пратите детаљна упутства да бисте се припремили за чишћење.

1. Уверите се да је алат искључен и да је уложак батерије уклоњен.
2. Окрените имбус завртањ у смеру супротном кретању казаљке на сату испорученим имбус кључем држећи централни поклопац.
3. Подигните штитник листа и централни поклопац.
4. Када довршите чишћење, вратите централни поклопац и затегните имбус завртањ тако што ћете обавити претходне кораке обрнутим редоследом.
5. Обавезно вратите циркуларни лист тестере и централни поклопац у првобитан положај, а затим затегните имбус завртањ.

► **Слика13:** 1. Имбус кључ 2. Имбус завртањ  
3. Централни поклопац 4. Штитник листа

**▲УПОЗОРЕЊЕ:** Немојте да скидате опругу која држи штитник листа. Ако се штитник временом оштети или дође до оштећења услед дејства УВ зрака, обратите се сервисном центру компаније Makita да бисте набавили нови штитник. **НЕМОЈТЕ ДА НЕУТРАЛИШЕТЕ ИЛИ УКЛАЊАТЕ ШТИТНИК.**

## Позиционирање резне плоче

Овај алат је опремљен резним плочама у обртном постољу да би се цепање на излазној страни реза свело на минимум. Резне плоче су фабрички подешене тако да циркуларни лист тестере не може да дође у контакт са њима. Пре употребе подесите резне плоче на следећи начин:

1. Уверите се да сте уклонили уложак батерије. Затим олабавите све завртње (по три са леве и десне стране) којима су причвршћене резне плоче.  
► **Слика14:** 1. Резна плоча 2. Завртањ
2. Поново их притегните само онолико колико је потребно да резне плоче могу слободно да се померају руком.
3. Спустите ручку до краја, па повуците и окрените клин за блокаду да бисте закључали ручку у најнижем положају.
4. Повуците и окрените клин за блокаду на клизној шипци да бисте омогућили померање клизача.  
► **Слика15:** 1. Клин за блокаду
5. Повуците клизач до краја према себи.
6. Подесите резне плоче тако да оне једва додирују бочне стране зубаца листа.  
► **Слика16**
- **Слика17:** 1. Лист тестере 2. Зупци листа  
3. Резна плоча 4. Резање под углом налево 5. Равни рез 6. Резање под углом удесно

7. Притегните предње завртње (немојте их чврсто затезати).
8. Гурните клизач на средину између предњег краја резне плоче и паралелних граничника. Подесите резне плоче тако да оне једва додирују бочне стране зубаца листа.
9. Притегните централне завртње (немојте их чврсто затезати).
10. Гурните клизач према паралелним граничницима до краја, а затим подесите резне плоче тако да оне једва додирују бочне стране зубаца листа.
11. Притегните задње завртње (немојте их чврсто затезати).
12. Након подешавања резних плоча, отпустите клин за блокаду за закључавање ручке и подигните ручку. Затим чврсто затегните све завртње.

**ОБАВЕШТЕЊЕ:** Након подешавања угла закосења, проверите да ли су резне плоче добро подешене. Правилно подешавање резних плоча обезбедиће адекватан ослонац за предмет обраде, чиме ће његово цепање бити сведено на минимум.

## Одржавање максималног капацитета резања

Овај алат је фабрички подешен да пружи максималан капацитет резања за лист тестере од 216 мм.

При постављању новог циркуларног листа тестере, увек проверите доњи гранични положај циркуларног листа тестере и, ако је потребно, подесите га на следећи начин:

1. Уклоните уложак батерије. Затим гурните клизач до краја према паралелном граничнику и до краја спустите ручку.

► **Слика18:** 1. Завртањ за подешавање  
2. Паралелни граничник

2. Помоћу имбус кључа окрећите завртањ за подешавање све док се циркуларни лист тестере не нађе мало испод попречног пресека паралелног граничника и горње површине обртног постоља.

► **Слика19**

3. Окрећите лист руком истовремено држећи ручку спуштено до краја да бисте спречили да циркуларни лист тестере дође у додир с неким делом доњег постоља. По потреби га мало додатно подесите.

**▲ УПОЗОРЕЊЕ:** Након постављања новог циркуларног листа тестере и док је уложак батерије уклоњен, увек проверите да циркуларни лист тестере не додирује ниједан део доњег постоља када је ручка спуштена до краја. Ако циркуларни лист тестере додирује постоље, то може да доведе до повратног удара и тешке телесне повреде.

► **Слика20**

## Зауставна полуга

Доњи гранични положај циркуларног листа тестере може се лако подесити помоћу зауставне полуге. Да бисте га подесили, померите зауставну полугу у смеру стрелице, као што је приказано на слици. Окрените завртањ за подешавање тако да се лист заустави у жељеном положају када је ручка спуштена до краја.

► **Слика21:** 1. Имбус кључ 2. Завртањ за подешавање 3. Зауставна полуга

**▲ ПАЖЊА:** Увек држите ручку чврсто приликом подешавања. У супротном, клизач може да одскочи и доведе до телесне повреде.

## Подешавање угла искошења

**▲ ПАЖЊА:** Након промене угла искошења увек причврстите обртно постоље тако што ћете вратити полугу за отпуштање у закључани положај и чврсто затегнути рукохват.

**ОБАВЕШТЕЊЕ:** Када окрећете обртно постоље, обавезно до краја подигните ручку.

1. Окрећите рукохват улево и притисните надоле полугу за отпуштање у откључани положај.

2. Држите рукохват и замахујте њиме са стране на страну да бисте окренули постоље.

3. Поравнајте показивач са жељеним углом на скали угла искошења.

4. Гурните полугу за отпуштање нагоре у закључани положај и затегните рукохват.

► **Слика22:** 1. Рукохват 2. Полуга за отпуштање 3. Закључани положај 4. Откључани положај 5. Показивач 6. Скала угла искошења

## Функција аутоматског заустављања

Ова угаона тестера има функцију аутоматског заустављања. Можете брзо да подесите угао искошења удесно/улево на 0°, 15°, 22,5°, 31,6°, 45° и 60°.

1. Окрените постоље у жељени угао аутоматског заустављања док притискате полугу за отпуштање у откључани положај.

2. Гурните полугу за отпуштање према горе између откључаног и закључаног положаја.

3. Окрените постоље у жељени угао аутоматског заустављања док се не причврсти.

4. Гурните полугу за отпуштање према горе у закључани положај, а затим затегните рукохват.

► **Слика23:** 1. Угао аутоматског заустављања 2. Полуга за отпуштање 3. Закључани положај 4. Откључани положај 5. Рукохват

## Подешавање угла закошења

**▲ ПАЖЊА:** Након промене угла закошења увек причврстите крак тако што ћете стезни бројчаник притегнути удесно.

**ОБАВЕШТЕЊЕ:** Обавезно скините горње паралелне граничнике и вертикалну стегу пре подешавања угла закошења.

**ОБАВЕШТЕЊЕ:** При нагињању циркуларног листа тестере проверите да ли је клизач подигнут до краја.

**ОБАВЕШТЕЊЕ:** При промени углова закошења проверите да ли је положај резних плоча правилан, као што је објашњено у одељку за подешавање резне плоче.

**ОБАВЕШТЕЊЕ:** Немојте превисе да затежете стезни бројчаник. У супротном, може да дође до квара механизма за закључавање за угао закошења.

## Нагињање циркуларног листа тестере улево

1. Окрећите стезни бројчаник улево.

2. Држите ручку и нагните клизач улево.

3. Поравнајте показивач са жељеним углом на скали угла закошења.

4. Затегните стезни бројчаник удесно да бисте причврстили крак.

► **Слика24:** 1. Стезни бројчаник 2. Ручка 3. Показивач 4. Скала угла закошења



## Нагињање циркуларног листа тестере удесно

1. Окрећите стезни бројчаник улево.
2. Држите ручку и нагните клизач благо улево.
3. Нагните клизач удесно док истовремено повлачите полуку за отпуштање за десни угао закошења.
4. Поравнајте показивач са жељеним углом на скали угла закошења.

5. Затегните стезни бројчаник удесно да бисте причврстили крак.

- **Слика25:** 1. Стезни бројчаник 2. Ручка 3. Полука за отпуштање за десни угао закошења 4. Показивач 5. Скала угла закошења

## Нагињање циркуларног листа тестере ван угла од 0° – 45°

1. Окрећите стезни бројчаник улево.
2. Држите ручку и нагните клизач за угао од 45° улево или удесно.
3. Благо повуците клизач уназад и окрените полуку за отпуштање удесно за угао закошења од 48°.

4. Наставите да нагињете клизач улево или удесно док је полука отпуштена.

5. Затегните стезни бројчаник удесно да бисте причврстили крак.

- **Слика26:** 1. Стезни бројчаник 2. Ручка 3. Полука за отпуштање за угао закошења од 48°

## Функционисање прекидача

**▲УПОЗОРЕЊЕ:** Пре убацивања улошка батерије у алат увек проверите да ли се окидач прекидача правилно активира и да ли се враћа у положај „OFF“ (Искључено) пошто га пустите. Немојте снажно да повлачите окидач прекидача ако нисте притиснули дугме за ослобађање из блокираног положаја. То може да доведе до ломљења прекидача. Рад са алатом на којем прекидач не функционише правилно може да доведе до губитка контроле и тешких телесних повреда.

**▲УПОЗОРЕЊЕ:** НИКАДА немојте да користите алат ако окидач прекидача није потпуно исправан. Сваки алат с неисправним прекидачем је ИЗУЗЕТНО ОПАСАН и мора да се поправи пре даље употребе јер може да проузрокује тешке телесне повреде.

**▲УПОЗОРЕЊЕ:** НИКАДА немојте да неутралишете дугме за ослобађање из блокираног положаја тако што ћете га залепити или на неки други начин. Прекидач с неисправним дугметом за ослобађање из блокираног положаја може да доведе до ненамерног покретања алата и тешких телесних повреда.

**▲УПОЗОРЕЊЕ:** НИКАДА немојте да користите алат који ради тако што ћете само повући окидач прекидача без притискања дугмета за ослобађање из блокираног положаја. Прекидач коме је потребна поправка може да доведе до ненамерног покретања алата и тешких телесних повреда. ПРЕ даље употребе вратите алат сервисном центру компаније Makita ради адекватне поправке.

- **Слика27:** 1. Окидач прекидача 2. Дугме за ослобађање из блокираног положаја 3. Отвор за катанац

Да не би дошло до случајног повлачења окидача прекидача, обезбеђено је дугме за ослобађање из блокираног положаја. Да бисте укључили алат, притисните дугме за ослобађање из блокираног положаја и повуците окидач прекидача. Пустите окидач прекидача да бисте зауставили алат. На окидачу прекидача постоји отвор у који може да се убаци катанац за закључавање алата.

**▲УПОЗОРЕЊЕ:** Немојте да користите катанац чија карика или кабл имају пречник мањи од 6,35 мм. Мања карика или кабл можда неће добро закључати алат у искљученом положају, па може доћи до случајног укључивања, које може да доведе до тешких телесних повреда.

## Усмеравање линије сечења

**▲ПАЖЊА:** Лампа није отпорна на кишу. Немојте да перете лампу водом или да је користите по киши или у влажном окружењу. То може да доведе до струјног удара и димљења.

**▲ПАЖЊА:** Немојте да додирујете сичово лампе јер је врело док лампа ради и недуго након што се угаси. То може да доведе до опекотина.

**▲ПАЖЊА:** Немојте да примењујте силу на лампу јер можете да је оштетите или да јој скратите век трајања.

**▲ПАЖЊА:** Немојте да гледате у лампу ни директно у извор светлости.

LED лампа светли преко циркуларног листа тестере, а сенка листа тестере пада на предмет обраде који служи као индикатор линије сечења без калибрације. Притисните дугме за лампу да бисте осветлили путању. Појављује се линија у којој лист додирује површину предмета обраде и продубљује се када се лист спусти.

- **Слика28:** 1. Дугме за лампу 2. Лампа 3. Линија сечења

Индикатор помаже да се пресече постојећа линија за одсецање на предмету обраде.

1. Држите ручку и спустите циркуларни лист тестере тако да густа сенка листа тестере буде на предмету обраде.
2. Поравнајте линију за одсецање нацртану на предмету обраде са засеченом линијом сечења.
3. Подесите углове искошења и углове закошења ако је то потребно.

**НАПОМЕНА:** Уверите се да је прекидач лампе искључен након употребе јер укључено светло троши батерију.

**НАПОМЕНА:** Светло се аутоматски гаси 5 минута након престанка рада.

## Електронска функција

### Електрична кочница

Алат је опремљен електричном кочницом за лист тестере. Ако се више пута деси да се алат не зауставља брзо након пуштања окидача прекидача, однесите га у Makita сервисни центар.

### Регулатор константне брзине

Алат има електронски регулатор брзине, који доприноси одржавању константне брзине обртања листа чак и под оптерећењем. Константна брзина обртања листа омогућава веома гладак рез.

### Функција лаганог старта

Ова функција обезбеђује глатко покретање алата тако што ограничава обртни момент при покретању.

## СКЛАПАЊЕ

**▲УПОЗОРЕЊЕ:** Увек проверите да ли је алат искључен и уложак батерије уклоњен пре обављања било каквог посла на алату. Ако се алат не искључи и не уклони уложак батерије, може доћи до тешких телесних повреда.

### Складиштење имбус кључа

Када се не користи, имбус кључ складиштите као што је приказано на слици да се не би загубио.

► **Слика29:** 1. Имбус кључ

### Уклањање и постављање листа тестере

**▲УПОЗОРЕЊЕ:** Увек се уверите да је алат искључен и да је уложак батерије уклоњен пре уклањања и постављања циркуларног листа тестере. Случајно покретање алата може да доведе до тешких телесних повреда.

**▲УПОЗОРЕЊЕ:** Користите само испоручени Makita кључ за уклањање и постављање циркуларног листа тестере. Ако се овај кључ не користи, може доћи до претеране или недовољне затегнутости имбус завртња и тешких телесних повреда.

**▲УПОЗОРЕЊЕ:** Никада немојте да користите нити мењате делове који нису достављени уз алат. Коришћење таквих делова може да доведе до тешких телесних повреда.

**▲УПОЗОРЕЊЕ:** Када постављате циркуларни лист тестере, увек проверите да ли је чврсто постављен. Ако циркуларни лист тестере није добро причвршћен, то може довести до тешких телесних повреда.

## Уклањање листа

Да бисте скинули циркуларни лист тестере предузмите следеће кораке:

1. Закључајте клизач у подигнутом положају тако што ћете повући и окренути клин за блокаду у закључани положај.

► **Слика30:** 1. Клин за блокаду

2. Употребите имбус кључ за отпуштање имбус завртња који држи централни поклопац. Затим подигните штитник листа и централни поклопац.

► **Слика31:** 1. Имбус кључ 2. Имбус завртањ 3. Централни поклопац 4. Штитник листа

3. Притисните браву осовине да бисте закључали вретено и помоћу имбус кључа олабавите имбус завртањ удесно. Затим уклоните имбус завртањ, спољашњу прирубницу и циркуларни лист тестере.

► **Слика32:** 1. Имбус завртањ (са левим навојем) 2. Спољашња прирубница 3. Брава осовине

4. Ако је унутрашња прирубница уклоњена, поставите је на вретено тако да део за постављање листа буде окренут према циркуларном листу тестере. Ако је прирубница неправилно постављена, прирубница ће долазити у додир са машином.

► **Слика33:** 1. Спољашња прирубница 2. Циркуларни лист тестере 3. Унутрашња прирубница 4. Имбус завртањ (са левим навојем) 5. Вретено 6. Део за постављање листа

## Постављање листа

**▲ПАЖЊА:** Обавезно поставите циркуларни лист тестере тако да смер стрелице на листу тестере буде усклађен са оним на кућишту листа тестере. У супротном може да дође до телесних повреда и оштећења алата и/или предмета обраде.

Да бисте поставили циркуларни лист тестере предузмите следеће кораке:

1. Пажљиво поставите циркуларни лист тестере на унутрашњу прирубницу. Уверите се да се смер стрелице на површини циркуларног листа тестере поклапа са смером стрелице на кућишту листа тестере.

► **Слика34:** 1. Стрелица

2. Поставите спољашњу прирубницу и имбус завртањ, а затим помоћу имбус кључа затегните имбус завртањ (са левим навојем) улево док истовремено притискате браву осовине.

3. Вратите штитник листа и централни поклопац у првобитни положај. Затим затегните имбус завртањ да бисте причврстили централни поклопац.

4. Повуците и окрените клин за блокаду да бисте ослободили клизач из подигнутог положаја. Спустите клизач и проверите да ли се штитник листа правилно креће.

## За алат са унутрашњом прирубницом за лист тестере са отвором пречника од 15,88 мм

### У зависности од земље

Монтирајте унутрашњу прирубницу тако да је удубљена страна окренута ка споља на вретено, а затим поставите циркуларни лист тестере, спољашњу прирубницу и имбус завртањ.

- **Слика35:** 1. Спољашња прирубница  
2. Циркуларни лист тестере  
3. Унутрашња прирубница 4. Имбус завртањ (са левим навојем) 5. Вретено  
6. Удубљена страна

## За алат са унутрашњом прирубницом за лист тестере са отвором пречника различитим од 25,4 мм и 30 мм

### У зависности од земље

Унутрашња прирубница на једној страни има један пречник дела за постављање листа, а на другој страни други пречник дела за постављање листа. Изаберите одговарајућу страну, тј. ону на којој се део за постављање листа савршено уклапа са отвором циркуларног листа тестере.

- **Слика36:** 1. Спољашња прирубница  
2. Циркуларни лист тестере  
3. Унутрашња прирубница 4. Имбус завртањ (са левим навојем) 5. Вретено  
6. Део за постављање листа

**▲ПАЖЊА:** Уверите се да се део за постављање листа „а“ на унутрашњој прирубници који је постављен споља савршено уклапа са отвором циркуларног листа тестере „а“. Постављање циркуларног листа тестере на погрешну страну може да доведе до опасних вибрација.

## Повезивање усисивача

Када желите да обавите чисто резање, помоћу предњих спојница 24 (опциони прибор) прикључите Makita усисивач на млазницу за прашину (горњи отвор за прашину).

- **Слика37:** 1. Предње спојнице 24 2. Црево  
3. Усисивач

## Врећа за прашину

**▲ПАЖЊА:** Током резања, увек поставите врећу за прашину или повежите усисивач да бисте спречили опасности у вези са прашином.

Употреба вреће за прашину чини поступак резања чистијим, а скупљање прашине једноставнијим. Да бисте причврстили врећу за прашину, скините црево за избацивање прашине са алата и поставите врећу за прашину на млазницу за прашину (горњи отвор за прашину).

- **Слика38:** 1. Црево за избацивање прашине  
2. Врећа за прашину 3. Млазница за прашину (горњи отвор за прашину)

Када се врећа за прашину напуни отприлике до пола, уклоните је са алата и извучите причвршћивач. Испразните садржај вреће за прашину благо тапкајући по њој да бисте уклонили честице које су се задржале унутра јер оне могу да спрече даље прикупљање.

- **Слика39:** 1. Причвршћивач

## Причвршћивање предмета обраде

**▲УПОЗОРЕЊЕ:** Од изузетне је важности да увек добро причврстите предмет обраде помоћу одговарајуће стеге. У супротном може да дође до тешких телесних повреда и оштећења алата и/или предмета обраде.

**▲УПОЗОРЕЊЕ:** При сечењу предмета обраде који је дужи од постоља тестере, подуприте читаву дужину материјала ван постоља и у истој висини да би материјал остао хоризонталан. Адекватна потпора предмета обраде омогућава да се избегне да се лист уштине и дође до повратног удара који може да доведе до тешких телесних повреда. Немојте се ослањати искључиво на вертикалну и/или хоризонталну стегу за причвршћивање предмета обраде. Танки материјали склони су савијању. Подуприте предмет обраде читавом дужином да бисте избегли да се лист уштине и потенцијални ПОВРАТНИ УДАР.

- **Слика40:** 1. Потпора 2. Обртно постоље

## Паралелни граничници

**▲УПОЗОРЕЊЕ:** Пре покретања алата проверите да ли је горњи граничник добро причвршћен.

**▲УПОЗОРЕЊЕ:** Пре резања под углом уверите се да ниједан део алата, а нарочито лист, не додирује горњи и доњи граничник када је ручка потпуно спуштена или подигнута у било ком положају и док се клизач помера целом дужином свог хода. Ако алат или лист додирује граничник, то може да узрокује повратни удар или неочекивано померање материјала и тешке телесне повреде.

Ако је материјал виши од доњих граничника, подуприте га горњим граничницима. Олабавите завртање за причвршћивање тако да горњи граничници клизе напред и назад преко доњих граничника. Промените положај граничника, а затим затегните завртањ.

- **Слика41:** 1. Горњи граничник 2. Доњи граничник  
3. Завртањ за причвршћивање  
4. Завртањ за подешавање

**ОБАВЕШТЕЊЕ:** Доњи граничници су фабрички фиксирани за постоље. Не уклањајте доње граничнике.

**ОБАВЕШТЕЊЕ:** Ако је доњи граничник и даље лабав после завртања затезног завртња, окретањем завртња за подешавање елиминишите зазор. Завртањ за подешавање је фабрички подешен. Немојте га користити ако то није неопходно.

## Вертикална стега

**▲УПОЗОРЕЊЕ:** Предмет обраде мора да буде добро причвршћен за обртно постоље и паралелне граничнике помоћу стега током свих активности. Ако радни комад није прописно причвршћен за граничник, материјал може да се помери током резања и доведе до могућег оштећења листа, одбацавања материјала и губитка контроле и последичне тешке телесне повреде.

Вертикална стега може да се постави у два положаја, са леве и десне стране постоља. Уметните шипку стега у један од отвора на постољу. Поставите полуку стега у складу са дебином и обликом предмета обраде и причврстите полуку стега затезањем завртња за причвршћивање. Ако завртањ за причвршћивање додирује клизач, поставите га на супротни крај полуке стега. Уверите се да ниједан део алата не додирује стегу када се ручка спусти до краја. Ако неки део додирује стегу, промените положај стега. Равномерно притисните предмет обраде уз паралелне граничнике и обртно постоље. Поставите предмет обраде у жељени положај за резање и добро га причврстите затезањем завртња стега.

► **Слика42:** 1. Отвори 2. Шипка стега 3. Полука стега 4. Завртањ за причвршћивање 5. Завртањ стега

## Хоризонтална стега

### Опциони додатни прибор

**▲УПОЗОРЕЊЕ:** Увек окрећите држач за навртку удесно све док предмет обраде не буде правилно причвршћен. Ако предмет обраде није добро причвршћен, материјал може да се помери током резања и оштети циркуларни лист тестере, што би могло да доведе до излетања материјала, губитка контроле и тешких телесних повреда.

**▲УПОЗОРЕЊЕ:** Када је радни комад који се реже танак, попут лајсне, а причвршћен је за граничник, увек користите хоризонталну стегу.

**▲ПАЖЊА:** Приликом резања предмета обраде дебелине 20 мм или мање, поставајте се да користите разделник како бисте осигурали предмет обраде.

Хоризонтална стега може да се постави са леве или десне стране постоља. Приликом обављања косог резања под углом од 22,5° или већим, поставите хоризонталну стегу на страну супротну од смера у коме треба да се окреће обртно постоље. Стега се ослобађа окретањем држача за навртку улево, и брзо се може померати напред и назад. Да бисте учврстили предмет обраде, гурните завртањ стега напред док плочица стега не додирне предмет обраде, па окрените држач за навртку удесно. Затим окрените завртањ стега удесно да бисте причврстили предмет обраде.

► **Слика43:** 1. Плочица стега 2. Држач за навртку 3. Завртањ стега

**НАПОМЕНА:** Максимална ширина радног комада који може да се причврсти хоризонталном стегом је 68 мм.

## Помоћна основа

**▲УПОЗОРЕЊЕ:** Увек подуприте дугачак предмет обраде да би био у равни са горњом површином обртног постоља ради прецизног резања и спречавања опасног губитка контроле над алатом. Адекватна потпора за радни комад спречиће да се лист уштине и да дође до повратног удара, који може да доведе до тешке телесне повреде.

**▲УПОЗОРЕЊЕ:** Пре поступка резања, увек проверите да ли су помоћне основе причвршћене помоћу завртња.

На обе стране алата се налазе помоћне основе помоћу којих можете да причврстите дугачке предмете обраде у хоризонталном положају. Отпустите завртње и извучите помоћне основе до дужине потребне за држање предмета обраде. Затим затегните завртње.

► **Слика44:** 1. Помоћна основа 2. Завртањ

Приликом сечења, поставите предмет обраде уз паралелне граничнике.

► **Слика45:** 1. Паралелни граничник 2. Помоћна основа

## РАД

Овај алат је намењен за сечење производа од дрвета. Са одговарајућим оригиналним Makita листовима тестере можете да сечете следеће материјале:

— производе од алуминијума  
Погледајте наш веб-сајт или се обратите локалном Makita продавцу да бисте сазнали који је циркуларни лист тестере адекватан за сечење предмета обраде.

**▲УПОЗОРЕЊЕ:** Уверите се да циркуларни лист тестере не додирује предмет обраде или нешто друго пре него што укључите прекидач. Укључивање алата док циркуларни лист тестере додирује предмет обраде може да доведе до повратног удара и тешких телесних повреда.

**▲УПОЗОРЕЊЕ:** Након резања, немојте да подижете циркуларни лист тестере док се у потпуности не заустави. Подизање листа који се још увек креће може да доведе до тешких телесних повреда и оштећења предмета обраде.

**▲УПОЗОРЕЊЕ:** Не обављајте никакво подешавање, односно не дирајте рукохват, ручице, клин за блокаду на алату док се циркуларни лист тестере окреће. Подешавање док се циркуларни лист тестере окреће може да доведе до тешке телесне повреде.

**ОБАВЕШТЕЊЕ:** Пре употребе обавезно откључајте клин за блокаду и ослободите ручку из спушеног положаја.

**ОБАВЕШТЕЊЕ:** Немојте да примењујете превелики притисак на ручку приликом резања.

Превелика сила може да доведе до преоптерећења мотора и/или смањене ефикасности резања. Притисните ручку наниже примењујући силу која је неопходна за несметано резање без значајног смањења брзине листа.

**ОБАВЕШТЕЊЕ:** Лагано притисните ручку да бисте обавили резање. Ако се ручка притисне применом силе или ако се примени бочна сила, циркуларни лист тестере ће можда вибрирати и оставити траг (траг тестере) на предмету обраде, па ће прецизност реза бити умањена.

**ОБАВЕШТЕЊЕ:** Током клизног резања лагано гурајте клизач ка паралелним граничницима без заустављања. Ако се клизач заустави током сечења, на предмету обраде може остати траг и прецизност реза ће бити умањена.

## Сечење под притиском

**▲ УПОЗОРЕЊЕ:** Обавезно закључајте клизач при сечењу под притиском. Резање без закључавања може да узрокује повратни удар, који може да има за последицу тешке телесне повреде.

Радни комади висине до 70 и ширине до 92 мм могу да се режу на следећи начин.

1. Гурните клизач ка паралелним граничницима док се не заустави, па га закључајте клином за блокаду.
2. Причврстите предмет обраде одговарајућом врстом стега.
3. Укључите алат тако да циркуларни лист тестере ништа не додирује, а затим сачекајте да циркуларни лист тестере достигне пуну брзину пре слушања.
4. Лагано спустите ручку у крајњи доњи положај да бисте изрезали предмет обраде.
5. Када завршите с резањем, искључите алат и сачекајте да се циркуларни лист тестере у потпуности заустави пре него што га вратите у крајњи горњи положај.

► **Слика46:** 1. Клин за блокаду

## Клизно резање (резање широких радних комада)

**▲ УПОЗОРЕЊЕ:** Увек када обављате клизно резање, најпре повуците клизач до краја према себи и притисните ручку до краја, а затим гурните клизач према паралелном граничнику. Никада немојте почињати да режете док не повучете клизач до краја према себи. Ако обављате клизно резање без повлачења клизача до краја према себи, може да дође до неочекиваног повратног удара и тешких телесних повреда.

**▲ УПОЗОРЕЊЕ:** Никада немојте покушавати да обавите клизно резање повлачењем клизача према себи. Повлачењем клизача према себи током резања можете да проузрокујете неочекивани повратни удар који може да доведе до тешких телесних повреда.

**▲ УПОЗОРЕЊЕ:** Никада немојте обављати клизно резање док је ручка закључана у доњем положају.

1. Откључајте клинове за блокаду тако да клизач може да се подигне и слободно креће.
2. Причврстите предмет обраде одговарајућом врстом стега.
3. Повуците клизач до краја према себи.
4. Укључите алат тако да циркуларни лист тестере ништа не додирује, а затим сачекајте да циркуларни лист тестере достигне пуну брзину.
5. Притисните ручку и гурните клизач према паралелним граничницима и кроз предмет обраде.
6. Када завршите с резањем, искључите алат и сачекајте да се циркуларни лист тестере у потпуности заустави пре него што га вратите у крајњи горњи положај.

► **Слика47:** 1. Клин за блокаду за закључавање ручке 2. Клин за блокаду за закључавање клизача

## Косо резање

Погледајте одељак за подешавање угла искошења.

## Резање под углом

**▲ УПОЗОРЕЊЕ:** Након подешавања циркуларног листа за резање под углом, пре покретања алата проверите да ли клизач и циркуларни лист тестере могу слободно да се крећу по читавој путањи намераваног реза. Заустављање клизача или циркуларног листа тестере током резања може да доведе до повратног удара и тешке телесне повреде.

**▲ УПОЗОРЕЊЕ:** Током извођења реза под углом, држите руке даље од путање циркуларног листа тестере. Угао циркуларног листа тестере може да збуни руковаоца када је у питању стварна путања листа током резања, а додир са циркуларним листом тестере доведи ће до тешких телесних повреда.

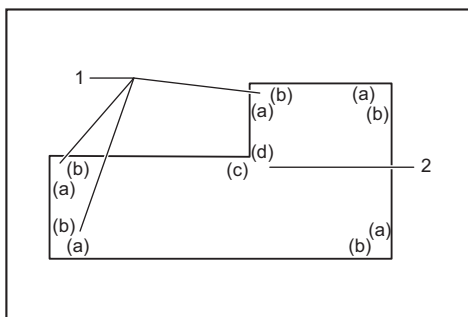
**▲ УПОЗОРЕЊЕ:** Циркуларни лист тестере не сме да се подиже док се у потпуности не заустави. Током резања под углом може се десити да одсечени део буде ослоњен на циркуларни лист тестере. Ако се циркуларни лист тестере подигне док се ротира, он може да избаци одсечени део и доведе до распадања материјала, што може да проузрокује тешке телесне повреде.

**ОБАВЕШТЕЊЕ:** Док притискате ручку, примените притисак паралелно с циркуларним листом тестере. Ако се сила примени управно на обртно постоље или ако се правац притиска мења током резања, прецизност резања биће умањена.

1. Уклоните горњи граничник на страни на којој намеравате да подигнете клизач.
2. Откључајте клинове за блокаду тако да клизач може да се подигне и слободно креће.
3. Подесите угао закошења према процедури објашњеној у одељку за подешавање угла закошења. Затим затегните стезни бројчаник.
4. Причврстите радни комад стегом.

5. Повуците клизач до краја према себи.
6. Укључите алат тако да циркуларни лист тестере ништа не додирује, а затим сачекајте да циркуларни лист тестере достигне пуну брзину.
7. Лагано спустите ручку у крајњи доњи положај док примењујете притисак паралелно са циркуларним листом тестере и **гурате клизач према паралелним границима да бисте изрезали предмет обраде.**
8. Када завршите с резањем, искључите алат и **сачекајте да се циркуларни лист тестере у потпуности заустави** пре него што га вратите у крајњи горњи положај.

► **Слика48**



1. Унутрашњи угао 2. Спољашњи угао

## Комбиновано резање

Комбиновано резање је процес у коме се угао закошења прави истовремено са резањем предмета обраде под углом искошења. Комбиновано резање може да се обавља под углом приказаним у табели.

Угао искошења	Угао закошења
Лево и десно 0° – 45°	Лево и десно 0° – 45°

Када обављате комбиновано резање, погледајте одељке за сечење под притиском, клизно резање (уз гурање), косо резање и резање под углом.

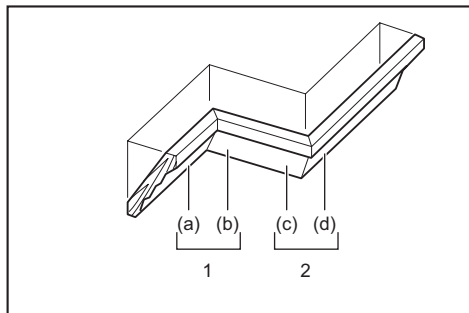
## Резање испупчених и удубљених лајсни

Испупчене и удубљене лајсне могу да се режу на комбинованој угаоној тестери када су лајсне положене на обртно постоље.

Постоје две уобичајене врсте испупчених лајсни и једна врста удубљених лајсни; испупчена зидна лајсна за углове од 52/38°, испупчена зидна лајсна за угао од 45° и удубљена зидна лајсна за угао од 45°.

- **Слика49:**
1. Испупчена лајсна типа 52/38°
  2. Испупчена лајсна типа 45°
  3. Удубљена лајсна типа 45°

Постоје спојеве испупчених и удубљених лајсни који су направљени тако да се уклапају „унутар“ углова од 90° ((a) и (b) на слици) и „изван“ углова од 90° ((c) и (d) на слици).



1. Унутрашњи угао 2. Спољашњи угао

## Мерење

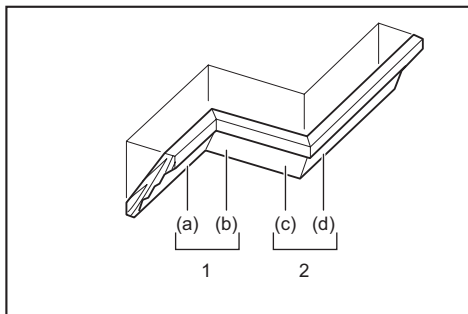
Измерите ширину зида, а затим према њој подесите ширину предмета обраде. Увек се уверите да ширина додирне ивице зида предмета обраде буде једнака дужини зида.

- **Слика50:**
1. Предмет обраде
  2. Ширина зида
  3. Ширина предмета обраде
  4. Додирна ивица зида

Увек користите неколико комада за пробно резање да бисте проверили углове тестере.

При резању испупчених и удубљених лајсни подесите угао закошења и угао искошења на начин приказан у табели (А) и поставите лајсне на горњу површину постоља тестере, као што је приказано у табели (Б).

## У случају резања под углом налево



1. Унутрашњи угао 2. Спољашњи угао

### Табела (А)

–	Положај лајсне на слици	Угао закошења		Угао искошења	
		Тип 52/38°	Тип 45°	Тип 52/38°	Тип 45°
За унутрашњи угао	(a)	Лево 33,9°	Лево 30°	Десно 31,6°	Десно 35,3°
	(b)			Лево 31,6°	Лево 35,3°
За спољашњи угао	(c)			Десно 31,6°	Десно 35,3°
	(d)			Десно 31,6°	Десно 35,3°

Табела (Б)

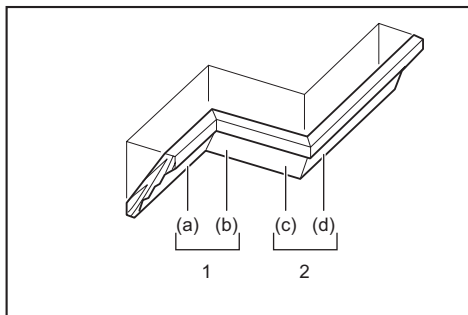
–	Положај лајсне на слици	Ивица лајсне уз паралелни граничник	Обрађени део
За унутрашњи угао	(a)	Ивица која додирује таваницу требало би да буде уз паралелни граничник.	Обрађени део биће са леве стране листа.
	(b)	Ивица која додирује зид требало би да буде уз паралелни граничник.	
За спољашњи угао	(c)	Ивица која додирује таваницу требало би да буде уз паралелни граничник.	Обрађени део биће са десне стране листа.
	(d)	Ивица која додирује таваницу требало би да буде уз паралелни граничник.	

Пример:

У случају резања испупчене лајсне типа 52/38° за позицију (a) на горњој слици:

- Нагните и фиксирајте поставку угла закошења на 33,9° НАЛЕВО.
- Подесите и фиксирајте угао искошења на 31,6° НАДЕСНО.
- Поставите испупчену лајсну тако да њен шири задњи део (сакривен) буде окренут надоле на обртном постољу, а да ИВИЦА КОЈА ЈЕ У ДОДИРУ С ТАВАНИЦОМ буде постављена уз паралелни граничник на тестери.
- Обрађени део који се користи увек ће бити са ЛЕВЕ стране циркуларног листа тестере након резања.

## У случају резања под углом удесно



1. Унутрашњи угао 2. Спољашњи угао

Табела (А)

–	Положај лајсне на слици	Угао закошења		Угао искошења	
		Тип 52/38°	Тип 45°	Тип 52/38°	Тип 45°
За унутрашњи угао	(a)	Десно 33,9°	Десно 30°	Десно 31,6°	Десно 35,3°
	(b)			Лево 31,6°	Лево 35,3°
За спољашњи угао	(c)	Десно 33,9°	Десно 30°	Десно 31,6°	Десно 35,3°
	(d)			Лево 31,6°	Лево 35,3°

Табела (Б)

–	Положај лајсне на слици	Ивица лајсне уз паралелни граничник	Обрађени део
За унутрашњи угао	(a)	Ивица која додирује зид требало би да буде уз паралелни граничник.	Обрађени део биће са десне стране листа.
	(b)	Ивица која додирује таваницу требало би да буде уз паралелни граничник.	
За спољашњи угао	(c)	Ивица која додирује таваницу требало би да буде уз паралелни граничник.	Обрађени део биће са леве стране листа.
	(d)	Ивица која додирује зид требало би да буде уз паралелни граничник.	

Пример:

У случају резања испупчене лајсне типа 52/38° за позицију (a) на горњој слици:

- Нагните и подесите угао закошења на 33,9° УДЕСНО.
- Подесите и фиксирајте угао искошења на 31,6° НАДЕСНО.
- Поставите испупчену лајсну тако да њен шири задњи део (сакривен) буде окренут надоле на обртном постољу, а да ИВИЦА КОЈА ЈЕ У ДОДИРУ СА ЗИДОМ буде постављена уз паралелни граничник на тестери.
- Обрађени део који се користи увек ће бити са ДЕСНЕ стране циркуларног листа тестере након резања.

## Резање алуминијумских одливака

- **Слика51:** 1. Стега 2. Разделник 3. Паралелни граничник 4. Алуминијумски одливак 5. Разделник

За причвршћивање алуминијумских одливака употребите разделнике или делове отпадног материјала, као што је приказано на слици, да бисте спречили деформисање алуминијума. За резање алуминијумских одливака употребите мазиво за резање да бисте спречили нагомилавање алуминијума на циркуларном листу тестере.

**▲УПОЗОРЕЊЕ:** Никада не покушавајте да сечете дебеле или округле алуминијумске одливке. Дебеле или округле алуминијумске одливке може да буде тешко причврстити и могу да се олабаве током резања, што може да доведе до губитка контроле и тешке телесне повреде.

## Резање жлебова

**▲УПОЗОРЕЊЕ:** Немојте покушавати да изведете ову врсту резања користећи шири лист или лист за жлебове. Ако покушате да направите жлеб користећи шири лист или лист за жлебове, то може да доведе до неочекиваних резултата резања и повратног удара, који може да проузрокује тешке телесне повреде.

**▲УПОЗОРЕЊЕ:** Обавезно вратите зауставну полугу у првобитни положај када изводите друге операције осим резања жлебова. Покушај резања са зауставном полугом у непрописном положају може да доведе до неочекиваних резултата резања и повратног удара, који може да проузрокује тешке телесне повреде.

Да бисте резали жлеб, поступите на следећи начин:

1. Подесите доњи гранични положај циркуларног листа тестере помоћу завртња за подешавање и зауставне полуге тако да се ограничи дубина резања циркуларног листа тестере. Погледајте одељак који се односи на зауставну полугу.

2. Након подешавања доњег граничног положаја циркуларног листа тестере, изрежите паралелне жлебове по ширини предмета обраде применом клизног реза (уз гурање).  
► **Слика52:** 1. Резање жлебова листом

3. Уклоните део предмета обраде између жлебова помоћу длета.

## Ношење алата

Пре преношења алата, уверите се да сте уклонили уложак батерије и да су сви покретни делови угаоне тестере фиксирани. Увек се уверите у следеће:

- Уложак батерије је уклоњен.
- Клизач је под углом закошења од 0° и фиксиран је.
- Клизач је спуштен и закључан.
- Клизач је гурнут до паралелних граничника до краја и закључан је.
- Обратно постоље је у положају под пуним углом искошења удесно и фиксирано је.
- Помоћне основе су склопљене и фиксиране.

Алат носите тако што ћете га држати за ручку или са обе стране постоља алата.

► **Слика53**

► **Слика54**

**▲УПОЗОРЕЊЕ:** Клин за блокаду, за подизање клизача, намењен је искључиво за ношење и одлагање и не сме да се користи приликом резања. Коришћење клина за блокаду приликом резања може да доведе до неочекиваног померања циркуларног листа тестере, што може да проузрокује повратни удар и тешке телесне повреде.

**▲ПАЖЊА:** Пре ношења алата увек фиксирајте све покретне делове. Ако се делови алата померају или клизају током ношења, то може да доведе до губитка контроле или равнотеже, а тиме и до телесних повреда.

**▲ПАЖЊА:** Уверите се да сте клином за блокаду правилно закључали подизање клизача при дну. Ако клин за блокаду није правилно постављен, клизач може изненада да одскочи и доведе до повреде.

## ФУНКЦИЈА БЕЖИЧНОГ АКТИВИРАЊА

### Шта све можете да радите са функцијом бежичног активирања

Функција бежичног активирања омогућава уредан и удобан рад. Када повежете подржани усисивач са алатом, можете аутоматски да покрећете усисивач притискањем прекидача на алату.

► **Слика55**

Да бисте могли да користите функцију бежичног активирања, припремите следеће предмете:

- Бежична јединица (опциони прибор)
- Усисивач који подржава функцију бежичног активирања

Следи преглед подешавања функције бежичног активирања. Детаљи процедура су описани у одговарајућим одељцима.

1. Постављање бежичне јединице
2. Регистрација алата за усисивач
3. Покретање функције бежичног активирања

## Постављање бежичне јединице

*Опциони додатни прибор*

**▲ПАЖЊА:** Пре постављања бежичне јединице ставите алат на равну и стабилну површину.

**ОБАВЕШТЕЊЕ:** Очистите прашину и прљавштину са алата пре постављања бежичне јединице. Прашина и прљавштина могу да изазову квар ако доспеју у отвор за бежичну јединицу.

**ОБАВЕШТЕЊЕ:** Да не би дошло до смењња због статичког електрицитета, додирните материјал кроз који се он празни, попут неког металног дела алата, пре него што узмете бежичну јединицу.

**ОБАВЕШТЕЊЕ:** При постављању бежичне јединице строго водите рачуна да бежична јединица буде окренута на одговарајући начин и да је поклопац потпуно затворен.



1. Отворите поклопац, као што је показано на слици.

► **Слика56:** 1. Поклопац

2. Убаците бежичну јединицу у отвор, па затворите поклопац.

При постављању бежичне јединице поравнајте избочине са удубљењима у отвору.

► **Слика57:** 1. Бежична јединица 2. Избочина 3. Поклопац 4. Места удубљења

Пре скидања бежичне јединице пажљиво скините поклопац. Кукице на задњој страни поклопца ће подићи бежичну јединицу кад подигнете поклопац.

► **Слика58:** 1. Бежична јединица 2. Кука 3. Поклопац

Након уклањања бежичне јединице чувајте је у добијеној кутији или амбалажи отпорној на статички електрицитет.

**ОБАВЕШТЕЊЕ:** Бежичну јединицу увек вадите помоћу кукица на задњој страни поклопца. Ако кукице не ухватите бежичну јединицу, потпуно затворите поклопац па га поново отворите.

## Регистрација алата за усисивач

**НАПОМЕНА:** За регистрацију алата је потребан Makita усисивач који подржава функцију бежичног активирања.

**НАПОМЕНА:** Довршите постављање бежичне јединице пре почетка регистрације алата.

**НАПОМЕНА:** Током регистрације алата избегавајте укључивање следећих прекидача:

- окидач прекидача на алату
- прекидач за усисавање на алату
- прекидач напајања на усисивачу

**НАПОМЕНА:** Погледајте и приручник са упутствима за усисивач.

Ако желите да се усисивач активира када се притисне прекидач на алату, прво довршите регистрацију алата.

1. Поставите батерије у усисивач и алат.

2. Поставите прекидач за стање приправности на усисивачу на „АUTO“.

► **Слика59:** 1. Прекидач за стање приправности

3. Притисните и 3 секунде држите дугме за бежично активирање на усисивачу док лампица за бежично активирање не почне да трепти зелено. Затим на исти начин притисните дугме за бежично активирање на алату.

► **Слика60:** 1. Дугме за бежично активирање 2. Лампица за бежично активирање

Ако се усисивач и алат успешно повежу, лампица за бежично активирање ће сијати зелено 2 секунде, а затим почети да трепти плаво.

**НАПОМЕНА:** Лампице за бежично активирање ће престати да сијају зелено након 20 секунди. Притисните дугме за бежично активирање на алату када лампица за бежично активирање на усисивачу почне да трепти. Ако лампица за бежично активирање не почне да трепти зелено, једном кратко притисните дугме за бежично активирање, па га опет држите.

**НАПОМЕНА:** Ако региструјете више алата на једном усисивачу, регистрације вршите једну по једну.

## Покретање функције бежичног активирања

**НАПОМЕНА:** Довршите регистрацију алата за усисивач пре бежичног активирања.

**НАПОМЕНА:** Погледајте и приручник са упутствима за усисивач.

Након регистровања алата на усисивачу, усисивач ће се аутоматски укључивати када се притисне прекидач на алату. Притисните окидач прекидача на алату да бисте активирали усисивач током рада. Усисивач се такође активира притиском на дугме за усисавање на алату након резања.

► **Слика61**

1. Поставите бежичну јединицу у алат.

2. Повежите црево усисивача на алат.

► **Слика62**

3. Поставите прекидач за стање приправности на усисивачу на „АUTO“.

► **Слика63:** 1. Прекидач за стање приправности

4. Накратко притисните дугме за бежично активирање на алату. Лампица за бежично активирање ће почети да сија плаво.

► **Слика64:** 1. Дугме за бежично активирање 2. Лампица за бежично активирање

5. Повуците окидач прекидача на алату.

Проверите да ли усисивач ради када се притисне окидач прекидача.

6. Притисните дугме за усисавање да бисте активирали усисивач. Проверите да ли лампица за бежично активирање светли плавом бојом и да ли усисивач наставља са радом све док поново не притиснете дугме.

7. Да бисте прекинули усисавање, отпустите окидач прекидача или поново притисните дугме за усисавање. Усисивач престаје да ради неколико секунди након искључивања, а затим лампица трепери плавом бојом.

**НАПОМЕНА:** Статус укључивања/искључивања (укључивање/искључивање усисивача) може се читати на лампици за бежично активирање. За детаљне информације погледајте одељак о опису статуса лампице за бежично активирање.

8. Ако желите да зауставите бежично активирање усисивача, притисните дугме за бежично активирање на алату.

**НАПОМЕНА:** Лампица за бежично активирање на алату ће престати да трепти плаво ако нема активности у року од 2 сата. У том случају, поставите прекидач за стање приправности у положај „АУТО“ и поново притисните дугме за бежично активирање на алату.

**НАПОМЕНА:** Усисивач ће се покретати/ заустављати уз кашњење. Јавља се кашњење када усисивач детектује притискање прекидача на алату.










**НАПОМЕНА:** Домет бежичне јединице може да варира у зависности од локације и услова средине.

**НАПОМЕНА:** Када су два или више алата регистрована на један усисивач, он ће можда почети да ради и када не притиснете окидач прекидача или дугме за усисавање јер неки други корисник користи функцију бежичног активирања.

## Опис статуса лампице за бежично активирање

► **Слика65:** 1. Лампица за бежично активирање

Лампица за бежично активирање приказује статус функције бежичног активирања. У табели испод су наведена значења статуса лампице.

Статус	Лампица за бежично активирање				Опис
	Боја	 Сија	 Трепће	Трајање	
Мировање	Плаво			2 сата	Усисивач може бежично да се активира. Лампица ће се аутоматски искључити ако нема активности у року од 2 сата.
				Када алат не ради.	Усисивач може бежично да се активира и алат ради.
Регистрација алата	Зелено			20 секунди	Спреман за регистрацију алата. Чека се на регистрацију усисивача.
				2 секунди	Регистрација алата је завршена. Лампица за бежично активирање ће почети да трепти плаво.
Отказивање регистрације алата	Црвено			20 секунди	Спреман за отказивање регистрације алата. Чека се на отказивање од стране усисивача.
				2 секунди	Отказивање регистрације алата је завршено. Лампица за бежично активирање ће почети да трепти плаво.
Друго	Црвено			3 секунди	Бежична јединица је под напоном, а функција бежичног активирања се покреће.
	Искључено	–		–	Бежично активирање усисивача је заустављено.

## Отказивање регистрације алата за усисивач

Обавите следећу процедуру ако желите да откажете регистрацију алата за усисивач.

1. Поставите батерије у усисивач и алат.
2. Поставите прекидач за стање приправности на усисивачу на „АУТО“.

► **Слика66:** 1. Прекидач за стање приправности

3. Притисните и 6 секунди држите дугме за бежично активирање на усисивачу. Лампица за бежично активирање ће трептати зелено, па почети да сија црвено. Затим на исти начин притисните дугме за бежично активирање на алату.

- **Слика67:** 1. Дугме за бежично активирање  
2. Лампица за бежично активирање

Ако отказивање успе, лампица за бежично активирање ће сијати црвено 2 секунде, а затим почети да трепти плаво.

**НАПОМЕНА:** Лампице за бежично активирање ће престати да сијају црвено након 20 секунди. Притисните дугме за бежично активирање на алату када лампица за бежично активирање на усисивачу почне да трепти. Ако лампица за бежично активирање не почне да трепти црвено, једном кратко притисните дугме за бежично активирање, па га опет држите.

## Решавање проблема са функцијом бежичног активирања

Пре него што затражите поправку, најпре сами извршите преглед. Уколико наиђете на проблем који није објашњен у упутству, не покушавајте да расклопите алат. Уместо тога тражите поправке од овлашћених сервисних центара Makita и увек користите оригиналне Makita резервне делове приликом поправки.

Неисправно стање	Вероватан узрок (квар)	Отклањање квара
Лампица за бежично активирање не сија / не трепти.	Бежична јединица није постављена у алат. Бежична јединица није правилно постављена у алат.	Правилно поставите бежичну јединицу.
	Контакти на бежичној јединици и/или у отвору су прљави.	Пажљиво обришите прашину и прљавштину са контаката бежичне јединице и очистите отвор.
	Дугме за бежично активирање на алату је притиснуто.	Накратко притисните дугме за бежично активирање на алату.
	Прекидач за стање приправности на усисивачу није постављен на „AUTO“.	Поставите прекидач за стање приправности на усисивачу на „AUTO“.
	Нема напајања струјом	Обезбедите напајање алата и усисивача струјом.
Није могуће довршити регистрацију алата / отказивање регистрације алата.	Бежична јединица није постављена у алат. Бежична јединица није правилно постављена у алат.	Правилно поставите бежичну јединицу.
	Контакти на бежичној јединици и/или у отвору су прљави.	Пажљиво обришите прашину и прљавштину са контаката бежичне јединице и очистите отвор.
	Прекидач за стање приправности на усисивачу није постављен на „AUTO“.	Поставите прекидач за стање приправности на усисивачу на „AUTO“.
	Нема напајања струјом	Обезбедите напајање алата и усисивача струјом.
	Неправилан рад	Накратко притисните дугме за бежично активирање и извршите регистрацију/отказивање алата.
	Алат и усисивач су превише међусобно удаљени (ван домета).	Приближите алат и усисивач. Максималан домет износи око 10 м, али може да варира у зависности од услова.
	Пре довршавања регистрације/отказивања регистрације алата: - окидан прекидача на алату је притиснут или; - дугме за усисавање на алату је укључено; - дугме за напајање на усисивачу је укључено.	Накратко притисните дугме за бежично активирање и извршите регистрацију/отказивање алата.
	Процедура регистрације алата за алат или усисивач није довршена.	Обавите процедуре регистрације за алат и усисивач у исто време.
Радио-смеће од других апарата који одлазе радио-таласе високог интензитета.	Држите алат и усисивач подаље од апарата попут Wi-Fi уређаја и микроталасних пећница.	
Усисивач се не активира кад се притисне прекидач на алату.	Бежична јединица није постављена у алат. Бежична јединица није правилно постављена у алат.	Правилно поставите бежичну јединицу.
	Контакти на бежичној јединици и/или у отвору су прљави.	Пажљиво обришите прашину и прљавштину са контаката бежичне јединице и очистите отвор.
	Дугме за бежично активирање на алату је притиснуто.	Накратко притисните дугме за бежично активирање и сачекајте да лампица за бежично активирање почне да трепти плаво.
	Прекидач за стање приправности на усисивачу није постављен на „AUTO“.	Поставите прекидач за стање приправности на усисивачу на „AUTO“.
	Више од 10 алата је регистровано на усисивачу.	Поновите регистрацију алата. Ако је на усисивач регистровано више од 10 алата, најраније регистровани алат ће аутоматски бити избрисан.
	Усисивач није могао успешно да региструје алате.	Обновите регистрације алата.
	Усисивач је обрисао све регистроване алате.	Поновите регистрацију алата.
	Нема напајања струјом	Обезбедите напајање алата и усисивача струјом.
Усисивач ради док нису притиснути прекидачи за алат.	Алат и усисивач су превише међусобно удаљени (ван домета).	Приближите алат и усисивач. Максималан домет износи око 10 м, али може да варира у зависности од услова.
	Радио-смеће од других апарата који одлазе радио-таласе високог интензитета.	Држите алат и усисивач подаље од апарата попут Wi-Fi уређаја и микроталасних пећница.
Усисивач ради док нису притиснути прекидачи за алат.	Други корисници користе функцију бежичног активирања усисивача на својим алатима.	Искључите дугме за бежично активирање на другим алатима или откажите регистрацију других алата.

# ОДРЖАВАЊЕ

**▲ УПОЗОРЕЊЕ:** Пре него што почнете с прегледом или одржавањем алата, искључите алат и уклоните уложак батерије. Уколико не искључите алат и не уклоните уложак батерије, може да дође до случајног покретања алата, што може да изазове тешке телесне повреде.

**▲ УПОЗОРЕЊЕ:** Водите рачуна да циркуларни лист тестере увек буде оштар и чист како би функционисао на најбољи могући и безбедан начин. Покушај резања тупим и/или запрљаним листом може да доведе до повратног удара и тешких телесних повреда.

**ОБАВЕШТЕЊЕ:** Никад немојте да користите нафту, бензин, разређивач, алкохол и слична средства. Може доћи до губитка боје, деформације или оштећења.

БЕЗБЕДАН и ПОУЗДАН рад алата гарантујемо само ако поправке, свако друго одржавање или подешавање, препустите овлашћеном сервису компаније Makita или фабричком сервису, уз употребу оригиналних резервних делова компаније Makita.

## Подешавање угла резања

Овај алат је пажљиво подешен и поравнат у фабрици, али грубо руковање може да утиче на поравнавање. Ако ваш алат није правилно поравнат, предузмите следеће кораке:

### Угао искошења

Окрећите рукохват улево и држите постоље спремно за функцију аутоматског заустављања помоћу полуге за отпуштање. Затим отпустите завртње који држе показивач и скалу угла искошења.

► **Слика68:** 1. Рукохват 2. Полука за отпуштање 3. Завртањ на показивачу 4. Завртњи на скали угла искошења 5. Скала угла искошења

Подесите обртно постоље на 0° помоћу функције аутоматског заустављања. Помоћу троугла или угаоника подесите циркуларни лист тестере тако да његова страница буде под правим углом у односу на паралелни граничник. Не мењајући тај прави угао, затегните завртње на скали угла искошености. Након тога, поравнајте показивач са положајем од 0° на скали угла искошења, па затегните завртањ на показивачу.

► **Слика69:** 1. Троугао 2. Показивач

## Угао закошења

### Угао закошења од 0°

Гурните клизач ка паралелним граничницима, па га закрључајте клином за блокаду. Спустите клизач до краја и закрључајте га у доњем положају помоћу клина за блокаду. Окрећите стезни бројчаник улево, а затим окрените завртањ за подешавање на 0° за два или три круга улево да бисте нагнули циркуларни лист тестере удесно.

► **Слика70:** 1. Стезни бројчаник 2. Завртањ за подешавање на 0° 3. Завртањ на показивачу

Помоћу троугла, угаоника или сличног предмета подесите циркуларни лист тестере тако да његова страница буде под правим углом у односу на горњу површину обртног постоља, окретањем завртња за подешавање на 0° удесно. Затим добро затегните стезни бројчаник да бисте фиксирали алат у подешеном углу од 0°.

► **Слика71:** 1. Троугао 2. Лист тестере 3. Горња површина обртног постоља

Још једном проверите да ли страница циркуларног листа тестере образује прав угао са горњом површином обртног постоља. Отпустите завртањ на показивачу, затим поравнајте показивач са положајем од 0° на скали угла закошења, па онда затегните завртањ.

### Угао закошења од 45°

**ОБАВЕШТЕЊЕ:** Пре подешавања угла закошења од 45°, извршите подешавање на угао закошења од 0°.

Отпустите стезни бројчаник и нагните клизач до краја на страну коју желите да проверите. Проверите да ли показивач означава 45° на скали угла искошења.

► **Слика72:** 1. Стезни бројчаник

Ако показивач не показује 45°, доведите га у 45° окретањем завртња за подешавање на 45°.

► **Слика73:** 1. Завртањ за подешавање на 45° десно 2. Завртањ за подешавање на 45° лево

## Чишћење сочива лампе

**ОБАВЕШТЕЊЕ:** Не уклањајте завртањ који служи за причвршћивање сочива. Ако сочиво не може да се извади, још отпустите завртањ.

**ОБАВЕШТЕЊЕ:** Сувом крпом обришите прљавштину са сочива лампе. Пазите да не огребете сочиво лампе, јер тако можете смањити осветљеност.

**ОБАВЕШТЕЊЕ:** На сочиво немојте да наносите раствараче ни средства за чишћење на бази бензина.

Видљивост LED светла је обрнуто пропорционална запрљаности његовог сочива. Редовно чистите сочива. Уклоните уложак батерије. Отпустите завртањ и извучите сочиво. Нежно очистите сочиво меком влажном крпом.

► **Слика74:** 1. Завртањ 2. Сочиво

## Након употребе

Након употребе алата, тканином или сличним материјалом уклоните опилјке и прашину која се наталожила на њему. Одржавајте штитник листа чистим у складу с упутствима наведеним у одељку о штитнику листа. Подмажите клизне делове машинским уљем да бисте спречили корозију.

## ОПЦИОНИ ПРИБОР

**▲УПОЗОРЕЊЕ:** Уз ваш Makita алат описан у овом упутству препоручује се коришћење следећег Makita прибора или додатака.

Коришћење било каквог другог прибора или додатака може да доведе до тешких телесних повреда.

**▲УПОЗОРЕЊЕ:** Makita прибор или додатке користите искључиво за наведене намене.

Неправилна употреба прибора или додатака може да доведе до тешких телесних повреда.

Да бисте добили више детаља у вези са овим прибором, обратите се локалном сервисном центру компаније Makita.

- Листови тестере са карбидним врхом
- Вертикална стега
- Хоризонтална стега
- Врећа за прашину
- Троугао
- Имбус кључ
- Бежична јединица
- Комплет држача
- Makita оригинална батерија и пуњач

**НАПОМЕНА:** Поједине ставке на листи могу бити укључене у садржај паковања алата као стандардна опрема. Оне се могу разликовати од земље до земље.

## SPECIFICAȚII

Model:	LS002G
Diametrul pânzei	216 mm
Diametru orificiu (arbore) (diferă în funcție de țară)	15,88 mm / 25,4 mm / 30 mm
Grosime fantă max. a pânzei de ferăstrău	2,4 mm
Unghi maxim de tăiere oblică	Stânga 60°, dreapta 60°
Unghi maxim de înclinație	Stânga 48°, dreapta 48°
Turație în gol	4.800 min <sup>-1</sup>
Dimensiuni (L x l x H)	702 mm x 551 mm x 557 mm
Tensiune nominală	Max. 36 V - 40 V cc.
Greutate netă	16,4 - 17,0 kg

- Datorită programului nostru continuu de cercetare și dezvoltare, specificațiile pot fi modificate fără o notificare prealabilă.
- Specificațiile pot varia în funcție de țară.
- Greutatea poate diferi în funcție de accesoriu(ii), inclusiv cartușul acumulatorului. În tabel se prezintă combinația cea mai ușoară și cea mai grea, conform Procedurii EPTA 01/2014.

### Cartușul acumulatorului și încărcătorul aplicabile

Cartușul acumulatorului	BL4025 / BL4040
Încărcător	DC40RA

- Este posibil ca unele cartușe ale acumulatorilor și încărcătoare menționate mai sus să nu fie disponibile în funcție de regiunea dvs. de reședință.

**⚠️ AVERTIZARE:** Utilizați numai cartușele de acumulator și încărcătoarele enumerate mai sus. Utilizarea oricăror altor cartușe de acumulator și încărcătoare poate duce la rănire și/sau incendiu.

### Capacitate maximă de tăiere (H x l) cu pânză de 216 mm diametru

Unghi de tăiere oblică	Unghi de înclinație		
	45° (stânga)	0°	45° (dreapta)
0°	50 mm x 312 mm	70 mm x 312 mm	30 mm x 312 mm
45° (stânga și dreapta)	50 mm x 220 mm	70 mm x 220 mm	30 mm x 220 mm
60° (stânga și dreapta)	–	70 mm x 155 mm	–

### Simboluri

Mai jos sunt prezentate simbolurile care pot fi utilizate pentru echipament. Asigurați-vă că înțelegeți sensul acestora înainte de utilizare.



Citiți manualul de utilizare.



Pentru a evita vătămările provocate de resturile împrăștiate, după executarea tăierii mențineți capul ferăstrăului coborât, până când pânza se oprește complet.



Când executați o tăiere prin glisare, trageți întâi sania complet spre dumneavoastră și apăsați mânerul până în poziția coborâtă, iar apoi împingeți sania către ghidajul opritor.



Atunci când executați o tăiere înclinată, slăbiți mai întâi discul manetei și înclinați sania în unghiul dorit, iar apoi strângeți discul manetei.



Atunci când înclinați pânza în afara intervalelor 0° - 45°, rotiți pârghia de eliberare la un unghi de înclinație de 48° în sens orar.



Nu duceți mâinile sau degetele în apropierea pânzei.



Purtați ochelari de protecție.



Nu priviți direct către lampa de lucru.



Doar pentru țările din cadrul UE  
Nu aruncați aparatele electrice sau acumulatoroarele în gunoii menajeri!

În conformitate cu Directiva europeană privind deșeurile de echipamente electrice și electronice, bateriile și acumulatoroarele, precum și bateriile și acumulatoroarele reziduale și implementarea acestora conform legislației naționale, echipamentele electrice și bateriile și acumulatoroarele care au ajuns la sfârșitul duratei de viață trebuie colectate separat și reciclate corespunzător în vederea protejării mediului.

## Destinația de utilizare

Mașina este destinată tăierii precise drepte și în sens oblic în lemn.

Nu folosiți ferăstrăul pentru a tăia alte materiale decât lemn, aluminiu sau materiale similare.

## Zgomot

Nivelul de zgomot normal ponderat A determinat în conformitate cu EN62841-3-9:

Nivel de presiune acustică ( $L_{pA}$ ): 89 dB(A)

Nivel de putere acustică ( $L_{WA}$ ): 100 dB (A)

Marjă de eroare (K): 3 dB(A)

**NOTĂ:** Valoarea (valorile) totală(e) a (ale) emisiilor de zgomot declarate a(u) fost măsurată(e) în conformitate cu o metodă de test standard și poate (pot) fi utilizată(e) pentru compararea unei uneelte cu alta.

**NOTĂ:** Valoarea (valorile) totală(e) a (ale) emisiilor de zgomot declarate poate (pot) fi, de asemenea, utilizată(e) într-o evaluare preliminară a expunerii.

**⚠️ AVERTIZARE:** Purtați echipament de protecție pentru urechi.

**⚠️ AVERTIZARE:** Emisiile de zgomot în timpul utilizării efective a unelei electrice poate diferi de valoarea (valorile) nivelului declarat, în funcție de modul în care unealta este utilizată, în special ce fel de piesă este prelucrată.

**⚠️ AVERTIZARE:** Asigurați-vă că identificați măsurile de siguranță pentru a proteja operatorul, acestea fiind bazate pe o estimare a expunerii în condiții reale de utilizare (luând în considerare toate părțile ciclului de operare, precum timpii în care unealta a fost oprită, sau a funcționat în gol, pe lângă timpul de declanșare).

## Declarație de conformitate CE

*Numai pentru țările europene*

Declarația de conformitate CE este inclusă ca Anexa A în acest manual de instrucțiuni.

## AVERTIZĂRI DE SIGURANȚĂ

### Avertismente generale de siguranță pentru mașinile electrice

**⚠️ AVERTIZARE:** Citiți toate avertismentele privind siguranța, instrucțiunile, ilustrațiile și specificațiile furnizate cu această sculă electrică. Nerespectarea integrală a instrucțiunilor de mai jos poate cauza electrocutări, incendii și/sau vătămări corporale grave.

### Păstrați toate avertismentele și instrucțiunile pentru consultări ulterioare.

Termenul „mașină electrică” din avertisări se referă la mașinile dumneavoastră electrice acționate de la rețea (prin cablu) sau cu acumulator (fără cablu).

## Instrucțiuni de siguranță pentru ferăstraie pentru tăieri oblice

- Ferăstraiele pentru tăieri oblice sunt destinate debitării lemnului sau produselor similare lemnului, acestea nu pot fi utilizate cu discuri abrazive de rețezat pentru materiale feroase, precum bare, tije, bolțuri etc.** Praful abraziv provoacă înțepenirea pieselor mobile, precum opritorul inferior. Scântelele de la rețezarea abrazivă vor arde opritorul inferior, inserția fantei și alte piese din plastic.
  - Utilizați cleme pentru a susține piesa de prelucrat oricând este posibil acest lucru. Dacă sprijiniți piesa de prelucrat cu mâna, trebuie întotdeauna să țineți mâna la minim 100 mm de fiecare parte a pânzei de ferăstrău. Nu utilizați acest ferăstrău pentru a debita piese care sunt prea mici pentru a fi fixate în siguranță sau ținute cu mâna.** Dacă mâna dvs. se află prea aproape de pânza de ferăstrău, există un risc ridicat de vătămare corporală din cauza contactului cu pânza.
  - Piesa de prelucrat trebuie să fie staționară și fixată sau ținută atât pe opritor, cât și pe masă. Nu alimentați în niciun caz piesa de prelucrat în pânză sau debitați „cu mâna liberă”.** Piese de prelucrat nefixate sau mobile ar putea fi aruncate la viteze ridicate, provocând vătămări corporale.
  - Împingeți ferăstrăul prin piesa de prelucrat. Nu trageți ferăstrăul prin piesa de prelucrat. Pentru a efectua o decupare, ridicați capul ferăstrăului și trageți-l peste piesa de prelucrat fără a debita, porniți motorul, apăsați capul ferăstrăului în jos și împingeți ferăstrăul prin piesa de prelucrat.** Debitarea în cursa de tragere prezintă posibilitatea de a cauza ridicarea pânzei de ferăstrău pe partea de sus a piesei de prelucrat și aruncarea cu violență a ansamblului pânzei spre operator.
  - Nu treceți niciodată mâna peste linia de debitare intenționată, nici în fața, nici în spatele pânzei de ferăstrău.** Sprijinirea piesei de prelucrat „cu manevrare cu mâinile în cruce”, adică, ținerea piesei de prelucrat la dreapta pânzei de ferăstrău cu mâna stânga sau invers, este foarte periculoasă.
- Fig.1
- Nu introduceți mâinile în spatele opritorului mai aproape de 100 mm față de oricare dintre laturile pânzei de ferăstrău pentru a îndepărta deșeurile lemnoase sau din oricare alt motiv în timp ce pânza se rotește.** Este posibil ca proximitatea pânzei de ferăstrău în rotire față de mâna dvs. să nu fie evidentă, dvs. putând fi vătămat grav.
  - Inspectați piesa de prelucrat înainte de debitare. Dacă piesa de prelucrat este încovoiată sau distorsionată, fixați-o cu fața încovoiată exterioară spre opritor. Asigurați-vă întotdeauna de faptul că nu există niciun gol între piesa de prelucrat, opritor și masă de-a lungul liniei debitării.** Piese de prelucrat încovoiate sau distorsionate se pot răsuci sau deplasa și pot provoca înțepenirea pe pânza de ferăstrău în timpul debitării. Nu trebuie să existe cuie sau obiecte străine în piesa de prelucrat.

8. **Nu utilizați ferăstrăul înainte ca masa să fie eliberată de toate instrumentele, deșeurile lemnoase etc., cu excepția piesei de prelucrat.** Reziduurile mici sau piesele libere din lemn sau alte obiecte care intră în contact cu pânda care se rotește pot fi aruncate cu viteză ridicată.
  9. **Tăiați doar o piesă de prelucrat pe rând.** Piesele de prelucrat multiple stivuite nu pot fi fixate sau rigidizate în mod adecvat și se pot înțepeni pe pânda sau se pot deplasa în timpul debitării.
  10. **Înainte de utilizare, asigurați faptul că ferăstrăul pentru tăieri oblice este montat sau așezat pe o suprafață de lucru nivelată și fermă.** O suprafață de lucru nivelată și fermă reduce riscul ca ferăstrăul pentru tăieri oblice să devină instabil.
  11. **Planificați-vă munca. De fiecare dată când schimbați configurația unghiului de înclinație sau al tăierii oblice, asigurați-vă de faptul că opritorul reglabil este setat corect, astfel încât să sprijine piesa de prelucrat și să nu interfereze cu pânda sau sistemul de protecție.** Fără a „PORNI” unealta și fără piese de prelucrat pe masă, deplasați pânda de ferăstrău printr-o decupare simulată completă pentru a asigura faptul că nu va exista nicio interferență sau pericol de tăiere a opritorului.
  12. **Furnați sprijin adecvat, precum extensii ale mesei, capre de ferăstrău etc. pentru o piesă de prelucrat care este mai lată sau mai lungă decât tăbia mesei.** Piesele de prelucrat mai lungi sau mai late decât masa ferăstrăului pentru tăieri oblice se pot clătina dacă nu sunt sprijinite fix. Dacă piesa de retezat sau piesa de prelucrat se clatină, aceasta poate ridica opritorul inferior sau poate fi aruncată de pânda care se rotește.
  13. **Nu utilizați altă persoană drept substituit pentru o extensie a mesei sau drept sprijin suplimentar.** Un sprijin instabil pentru piesa de prelucrat poate provoca înțepenirea sau deplasarea piesei de prelucrat de către pânda în timpul operațiunii de debitat, trăgându-vă pe dvs. și pe persoana care vă ajută în pânda care se rotește.
  14. **Piesa de retezat nu trebuie să fie înțepenită sau presată prin niciun mijloc pe pânda de ferăstrău care se rotește.** Dacă este delimitată, adică prin utilizarea opritoarelor de lungime, piesa de retezat ar putea fi blocată pe lamă și aruncată violent.
  15. **Utilizați întotdeauna o clemă sau un dispozitiv de fixare proiectat pentru a sprijini în mod corespunzător materiale rotunde, precum tije sau conductele.** Tijele au tendința de a se rostogoli în timpul tăierii, provocând „ciupirea” de către pânda și tragerea piesei de prelucrat în pânda odată cu mâna dvs.
  16. **Permiteți pânzei să atingă viteza completă înainte de a pune piesa de prelucrat în contact.** Acest fapt va reduce riscul aruncării piesei de prelucrat.
  17. **Dacă piesa de prelucrat sau pânda se înțepenește, opriți ferăstrăul pentru tăieri oblice. Așteptați până când toate piesele mobile se opresc și deconectați fișa de la sursa de curent electric și/sau scoateți acumulatorii. Apoi, lucrați pentru a elibera materialele înțepenite.** Continuarea debitării cu o piesă de prelucrat înțepenită ar putea cauza pierderea controlului și deteriorarea ferăstrăului pentru tăieri oblice.
  18. **După terminarea decupării, eliberați comutatorul, țineți ferăstrăul cu capul în jos și așteptați până când pânda se oprește, înainte de a scoate piesa de retezat.** Introducerea mâinii în apropierea pânzei aflate în rotire liberă este periculoasă.
  19. **Țineți mânerul ferm atunci când efectuați o decupare incompletă sau atunci când eliberați comutatorul înainte să se afle capul ferăstrăului pe deplin în poziția de jos.** Acțiunea de frânare a ferăstrăului poate provoca tragerea subită în jos a capului ferăstrăului, ducând la un pericol de vătămare corporală.
  20. **Utilizați numai pânzele de ferăstrău cu diametrul marcat pe mașină sau specificat în manual.** Utilizarea unei pânze de altă mărime poate afecta protecția corespunzătoare a acesteia sau funcționarea apărătorii, putând rezulta accidente grave.
  21. **Utilizați doar pânze de ferăstrău care sunt marcate cu o turație egală cu sau mai mare decât turația marcată pe mașină.**
  22. **Nu folosiți ferăstrăul pentru a tăia alte materiale decât lemn, aluminiu sau materiale similare.**
  23. **(Numai pentru țările europene) întotdeauna utilizați lama care este conformă cu EN847-1.**
- Instrucțiuni suplimentare**
1. **Faceți atelierul inaccesibil copiilor, întrebunțând lacăte.**
  2. **Nu stați niciodată pe unealtă.** Ar putea să apară vătămări corporale grave dacă se intră în contact în mod neintenționat cu unealta de tăiere.
  3. **Nu lăsați niciodată unealta să funcționeze nesupravegheată. Opriți alimentarea cu energie. Nu părăsiți unealta înainte ca aceasta să se oprească complet.**
  4. **Nu utilizați ferăstrăul cu apărătoarele demonstrate. Verificați închiderea corectă a apărătoarei pânzei înainte de fiecare utilizare. Nu folosiți ferăstrăul dacă apărătoarea pânzei nu se mișcă liber și nu se închide instantaneu. Nu blocați sau legați niciodată apărătoarea pânzei în poziție deschisă.**
  5. **Nu țineți mâinile pe traiectoria pânzei de ferăstrău. Evitați contactul cu pânda aflată în rotire liberă. Aceasta încă poate cauza vătămări grave.**
  6. **Pentru a reduce riscul de vătămări corporale, readuceți sania în poziția spate complet după fiecare operațiune de retezare.**
  7. **Fixați întotdeauna toate piesele mobile înainte de a transporta mașina.**
  8. **Știftul opritor sau pârghia opritoare care blochează capul așchietor în poziția coborâtă este destinată exclusiv transportului și depozitării, și nu operațiilor de tăiere.**
  9. **Înainte de folosire, verificați atent dacă pânda prezintă fisuri sau deteriorări. Înlocuiți imediat o pânda fisurată sau deteriorată. Cleiul și rășina întărite pe pânze încetinesc ferăstrăul și măresc riscul de recul. Păstrați pânda curată prin demontarea de pe mașină și curățarea acesteia cu soluție de îndepărtat cleiul și rășina, apă fierbinte sau petrol lampant. Nu utilizați niciodată gazolină pentru a curăța pânda.**



10. În timpul efectuării unei tăieri prin glisare, poate apărea un RECUL. RECULUL apare atunci când pânza se înțepenește în piesa de prelucrat în timpul unei operațiuni de debitat iar pânza de ferăstrău este direcționată cu rapiditate spre operator. Pot rezulta pierderea controlului și vătămări personale grave. Dacă pânza începe să se înțepenească în timpul unei operațiuni de debitat, nu continuați să debitați și eliberați imediat comutatorul.
11. Folosiți numai flanșele specificate pentru această mașină.
12. Aveți grijă să nu deteriorați arborele, flanșele (în special suprafața de montaj) sau șurubul. Deteriorarea acestor piese poate conduce la ruperea pânzei.
13. Asigurați-vă că talpa rotativă este fixată ferm, astfel încât să nu se miște în timpul operației. Utilizați orificiile din talpă pentru a strânge ferăstrăul la o platformă sau un banc de lucru stabil. Nu utilizați NICIODATĂ unealta în cazurile în care poziționarea operatorului ar fi stânjenitoare.
14. Asigurați-vă că pârghia de blocare a axului este eliberată înainte de a conecta comutatorul.
15. Asigurați-vă că pânza nu intră în contact cu talpa rotativă în poziția inferioară.
16. Țineți mânerul ferm. Rețineți că ferăstrăul se mișcă puțin în sus sau în jos în timpul pornirii și opririi.
17. Asigurați-vă că pânza nu intră în contact cu piesa de prelucrat înainte de a conecta comutatorul.
18. Înainte de utilizarea mașinii pe piesa propriu-zisă, lăsați-o să funcționeze în gol pentru un timp. Încercați să identificați orice vibrație sau oscilație care ar putea indica o instalare inadecvată sau o pânză neechilibrată.
19. Întrerupeți lucrul imediat dacă observați orice anomalie.
20. Nu încercați să blocați butonul declanșator în poziția „ON” (pornit).
21. Folosiți întotdeauna accesoriile recomandate în acest manual. Folosirea unor accesorii inadecvate, cum ar fi roțile abrazive, poate provoca vătămări corporale.
22. Unele materiale conțin substanțe chimice care pot fi toxice. Aveți grijă să nu inhalați praful și evitați contactul cu pielea. Respectați instrucțiunile de siguranță ale furnizorului.
23. Nu utilizați o sursă de alimentare cu cablu cu această mașină.

Norme suplimentare de securitate pentru lampa de lucru

1. Nu priviți direct în raza sau în sursa de lumină.

## PĂSTRAȚI ACESTE INSTRUCȚIUNI.

**⚠️ AVERTIZARE:** NU permiteți comodității și familiarizării cu produsul (obținute prin utilizare repetată) să înlocuiască respectarea strictă a normelor de securitate pentru acest produs. **FOLOSIREA INCORECTĂ** sau nerespectarea normelor de securitate din acest manual de instrucțiuni poate provoca vătămări corporale grave.

## Instrucțiuni importante privind siguranța pentru cartușul acumulatorului

1. Înainte de a folosi cartușul acumulatorului, citiți toate instrucțiunile și atenționările de pe (1) încărcătorul acumulatorului, (2) acumulator și (3) produsul care folosește acumulatorul.
2. Nu dezasamblați și nu interveniți asupra cartușului acumulatorului. Acest lucru poate cauza incendii, căldură excesivă sau explozii.
3. Dacă timpul de funcționare s-a redus excesiv, întrerupeți imediat funcționarea. Aceasta poate prezenta risc de supraîncălzire, posibile arsuri și chiar explozie.
4. Dacă electrolitul pătrunde în ochi, clătiți bine ochii cu apă curată și consultați imediat un medic. Există risc de orbire.
5. Nu scurtcircuitați cartușul acumulatorului:
  - (1) Nu atingeți bornele cu niciun material conductor.
  - (2) Evitați depozitarea cartușului acumulatorului la un loc cu alte obiecte metalice cum ar fi cuie, monede etc.
  - (3) Nu expuneți cartușul acumulatorului la apă sau ploaie.

Un scurtcircuit al acumulatorului poate provoca un flux puternic de curent electric, supraîncălzire, posibile arsuri și chiar defectarea mașinii.
6. Nu depozitați și nu utilizați mașina și cartușul acumulatorului în locuri în care temperatura poate atinge sau depăși 50 °C (122 °F).
7. Nu incinerati cartușul acumulatorului chiar dacă acesta este grav deteriorat sau complet uzat. Cartușul acumulatorului poate exploda în foc.
8. Nu introduceți cuie în cartușul acumulatorului, nu îl tăiați, striviți, aruncați sau scăpați și nu îl loviți cu un obiect dur. Astfel de acțiuni pot provoca incendii, căldură excesivă sau explozii.
9. Nu utilizați un acumulator deteriorat.
10. Acumulatorii Li-Ion încorporați se supun cerințelor Legislației privind substanțele periculoase. Pentru transporturi comerciale, efectuate de exemplu de către părți terțe, expeditori, trebuie respectate cerințele speciale de ambalare și etichetare. Pentru pregătirea articolului care urmează să fie expediat, este necesară consultarea unui expert în materiale periculoase. Vă rugăm să respectați, de asemenea, reglementările naționale, care pot fi mai detaliate. Izolați sau acoperiți contactele deschise și împachetați acumulatorul în așa fel încât să nu se poată mișca în ambalaj.
11. Atunci când eliminați la deșeurile cartușul acumulatorului, scoateți-l din mașină și eliminați-l într-un loc sigur. Respectați normele naționale privind eliminarea la deșeurile a acumulatorului.
12. Utilizați acumulatorii numai cu produsele specificate de Makita. Instalarea acumulatorilor în produse neconforme poate cauza incendii, căldură excesivă, explozii sau scurgeri de electrolit.
13. Dacă mașina nu este utilizată o perioadă lungă de timp, acumulatorul trebuie scos din acesta.

14. În timpul utilizării și după aceea, cartușul acumulatorului se poate încălzi, ceea ce poate cauza arsuri sau arsuri la temperaturi scăzute. Fiți atenți la manipularea cartușelor de acumulator atunci când sunt fierbinți.
15. Nu atingeți borna mașinii imediat după utilizare, întrucât se poate încălzi foarte tare și poate provoca arsuri.
16. Nu lăsați să pătrundă așchii, praf sau pământ în borne, în orificii și în canelurile cartușului acumulatorului. Acest lucru poate duce la o performanță slabă sau poate cauza defectarea mașinii sau a cartușului acumulatorului.
17. Nu utilizați cartușul acumulatorului în apropierea liniilor electrice de înaltă tensiune, cu excepția cazului în care mașina suportă utilizarea în apropierea liniilor electrice de înaltă tensiune. Acest lucru poate duce la funcționarea necorespunzătoare sau la defectarea mașinii sau a cartușului acumulatorului.
18. Țineți acumulatorul la distanță de copii.

## PĂSTRAȚI ACESTE INSTRUCȚIUNI.

**⚠ATENȚIE:** Folosiți numai acumulatori Makita originali. Acumulatorii Makita care nu sunt originali și acumulatorii care au suferit modificări se pot aprinde, provocând incendii, leziuni corporale și daune. De asemenea, anulează garanția oferită de Makita pentru unealta și încărcătorul Makita.

## Sfaturi pentru obținerea unei durate maxime de exploatare a acumulatorului

1. Încărcați cartușul acumulatorului înainte de a se descărca complet. Întrerupeți întotdeauna funcționarea mașinii și încărcați cartușul acumulatorului când observați o scădere a puterii mașinii.
2. Nu reîncărcați niciodată un acumulator complet încărcat. Supraîncărcarea va scurta durata de exploatare a acumulatorului.
3. Încărcați cartușul acumulatorului la temperatura camerei, între 10 °C - 40 °C (50 °F - 104 °F). Lăsați un acumulator fierbinte să se răcească înainte de a-l încărca.
4. Atunci când nu utilizați cartușul acumulatorului, scoateți-l din mașină sau din încărcător.
5. Încărcați cartușul acumulatorului în cazul în care nu a fost utilizat pe o perioadă mai lungă (mai mult de șase luni).

## Instrucțiuni importante privind siguranța pentru unitatea wireless

1. Nu dezasamblați sau interveniți asupra unității wireless.
2. Țineți unitatea wireless la distanță de copii mici. Dacă este înghițită accidental, consultați imediat un medic.
3. Utilizați unitatea wireless numai cu mașini Makita.
4. Nu expuneți unitatea wireless la ploaie sau la condiții de umiditate.
5. Nu utilizați unitatea wireless în locuri unde temperatura depășește 50 °C.
6. Nu operați unitatea wireless în apropierea unor instrumente medicale, precum stimulatorul cardiac.
7. Nu operați unitatea wireless în apropierea unor dispozitive automate. Dacă sunt operate, dispozitivele automate pot dezvolta funcționări defectuoase sau erori.
8. Nu operați unitatea wireless în locuri cu temperaturi ridicate sau în locuri în care s-ar putea genera electricitate statică sau zgomot electric.
9. Unitatea wireless poate produce câmpuri electromagnetice (CEM), însă acestea nu sunt dăunătoare pentru utilizator.
10. Unitatea wireless este un instrument de precizie. Aveți grijă să nu scăpați sau să loviți unitatea wireless.
11. Evitați să atingeți borna unității wireless cu mâinile neacoperite sau cu materiale metalice.
12. Scoateți întotdeauna acumulatorul din produs atunci când instalați unitatea wireless în acesta.
13. Atunci când deschideți clapeta de închidere a fantei, evitați locurile unde praful sau apa poate pătrunde în fantă. Mențineți întotdeauna curat orificiul de admisie al fantei.
14. Introduceți întotdeauna unitatea wireless în direcția corectă.
15. Nu apăsați cu forță excesivă butonul de activare wireless de pe unitatea wireless și/sau nu apăsați butonul cu un obiect cu o margine ascuțită.
16. Închideți întotdeauna clapeta de închidere a fantei atunci când lucrați.
17. Nu scoateți unitatea wireless din fantă în timp ce mașina este alimentată cu energie. În caz contrar, unitatea wireless poate funcționa defectuos.
18. Nu îndepărtați autocolantul de pe unitatea wireless.
19. Nu aplicați niciun autocolant pe unitatea wireless.
20. Nu lăsați unitatea wireless într-un loc unde s-ar putea genera electricitate statică sau zgomot electric.
21. Nu lăsați unitatea wireless într-un loc supus temperaturilor ridicate, cum ar fi o mașină parcată în soare.
22. Nu lăsați unitatea wireless într-un loc în care se produce praf sau pulbere sau într-un loc unde s-ar putea genera gaze corozive.
23. Schimbarea bruscă de temperatură poate duce la înrouarea unității wireless. Nu utilizați unitatea wireless înainte ca picăturile de rouă să se fi uscat complet.
24. Atunci când curățați unitatea wireless, ștergeți delicat cu o lavetă moale și uscată. Nu utilizați benzină, diluant, vaselină conductivă sau alt produs similar.

25. **Atunci când depozitați unitatea wireless, păstrați-o în cutia furnizată sau într-un recipient fără electricitate statică.**
26. **Nu introduceți în fantă de pe mașină alte dispozitive în afară de unitatea wireless Makita.**
27. **Nu utilizați mașina dacă clapeta de închidere a fantei este deteriorată. Apa, praful și murdăria care pătrund în fantă pot provoca defectarea.**
28. **Nu trageți și/sau răsuciți clapeta de închidere mai mult decât este necesar. Puneți la loc clapeta de închidere dacă se desprinde de pe mașină.**
29. **Înlocuiți clapeta de închidere a fantei dacă se pierde sau dacă este deteriorată.**

## PĂSTRAȚI ACESTE INSTRUCȚIUNI.

## DESCRIERE COMPONENTE

► Fig.2

1	Cheie imbus	2	Bolț de reglare (pentru capacitatea maximă de tăiere)	3	Șurub de reglare (pentru poziția limită inferioară)	4	Braț opritor
5	Buton de activare wireless	6	Lampă de activare wireless	7	Buton aspirator	8	Buton lampă
9	Apărătoarea pânzei	10	Placă cu fantă	11	Manetă (pentru talpa rotativă)	12	Discul manetei (pentru unghiul de înclinație)
13	Pârghie de eliberare (pentru talpa rotativă)	14	Șurub de reglare (pentru talpa rotativă)	15	Opritoare de ghidare	16	Indicator (pentru unghi de tăiere oblică)
17	Scală pentru unghi de tăiere oblică	18	Talpă rotativă	19	Suport	20	Menghină verticală
21	Pârghie de eliberare (pentru unghiul de înclinație spre dreapta)	22	Bolț de reglare la 45° (pentru unghiul de înclinație spre dreapta)	23	Bolț de reglare la 0° (pentru unghiul de înclinație)	24	Ghidaj de praf
25	Scală pentru unghi de înclinație spre dreapta	26	Indicator (pentru unghiul de înclinație spre dreapta)	27	Știft opritor (pentru glisarea saniei)	28	Glisieră
29	Clapă de închidere (pentru unitatea wireless)	-	-	-	-	-	-

► Fig.3

1	Orificiu pentru lacăt	2	Buton declanșator	3	Buton de deblocare	4	Mâner de transport
5	Cartușul acumulatorului	6	Furtun de extragere a prafului	7	Scală pentru unghiul de înclinație spre stânga	8	Indicator (pentru unghiul de înclinație spre stânga)
9	Pârghie de eliberare (pentru unghiul de înclinație la 48°)	10	Bolț de reglare la 45° (pentru unghiul de înclinație spre stânga)	11	Pârghie de blocare a axului	12	Sac de praf (atunci când este înlocuit cu un furtun de extragere a prafului)

## INSTALARE

### Montarea bancului

**⚠️ AVERTIZARE: Asigurați-vă că mașina nu se va mișca pe suprafața de susținere. Mișcarea ferăstrăului pentru tăieri oblice pe suprafața de susținere în timpul tăierii poate duce la pierderea controlului și la accidente grave.**

1. Fixați talpa pe o suprafață plană și stabilă, cu ajutorul șuruburilor. Aceasta va ajuta la prevenirea răsturnării și a posibilelor accidente.
- Fig.4: 1. Bolț 2. Orificiu de fixare
2. Rotiți șurubul de reglare în sens orar sau în sens anti-orar, astfel încât acesta să intre în contact cu suprafața podelei și să mențină mașina într-o poziție stabilă.
- Fig.5: 1. Șurub de reglare

## Instalarea furtunului de extragere a prafului

Conectați furtunul de extragere a prafului la unealtă conform ilustrației.

Asigurați-vă de potrivirea corespunzătoare a cotului și manșonului la porturile uneltei.

► Fig.6: 1. Furtun de extragere a prafului 2. Cot 3. Manșon 4. Port

Pentru a scoate cotul din port, trageți-l în timp ce apăsați în jos butonul de blocare.

Pentru a îndepărta manșonul din port, rotiți-l în sens orar, iar apoi scoateți-l.

► Fig.7: 1. Cot 2. Buton de blocare 3. Manșon 4. Port

## DESCRIEREA FUNCȚIILOR

**⚠️ AVERTIZARE:** Asigurați-vă întotdeauna că mașina este oprită, iar cartușul acumulatorului este demontat înaintea reglării și verificării funcțiilor. Dacă unealta nu este oprită și cartușul acumulatorului nu este scos, se pot produce vătămări personale grave în urma pornirii accidentale.

### Instalarea sau scoaterea cartușului acumulatorului

**⚠️ ATENȚIE:** Opriti întotdeauna mașina înainte de montarea sau demontarea cartușului de acumulator.

**⚠️ ATENȚIE:** Țineți ferm mașina și cartușul acumulatorului la montarea sau demontarea cartușului. În cazul în care nu țineți ferm mașina și cartușul de acumulator, acestea vă pot aluneca din mâini, rezultând defectarea mașinii și cartușului de acumulator, precum și în accidentări personale.

► Fig.8: 1. Indicator roșu 2. Buton 3. Cartușul acumulatorului

Pentru a scoate cartușul acumulatorului, glisați-l din mașină în timp ce glisați butonul de pe partea frontală a cartușului.

Pentru a instala cartușul acumulatorului, aliniați limba de pe cartușul acumulatorului cu canelura din carcasă și introduceți-l în locaș. Introduceți-l complet, până când se înclichetează în locaș. Dacă puteți vedea indicatorul roșu din partea superioară a butonului, acesta nu este blocat complet.

**⚠️ ATENȚIE:** Instalați întotdeauna cartușul acumulatorului complet, până când indicatorul roșu nu mai este vizibil. În caz contrar, acesta poate cădea accidental din mașină provocând rănirea dumneavoastră sau a persoanelor din jur.

**⚠️ ATENȚIE:** Nu forțați cartușul acumulatorului la montare. Dacă acesta nu glisează ușor, înseamnă că a fost introdus incorrect.

### Sistem de protecție mașină/ acumulator

Mașina este prevăzută cu un sistem de protecție mașină/acumulator. Acest sistem întrerupe automat alimentarea motorului pentru a extinde durata de funcționare a mașinii și acumulatorului. Mașina se va opri automat în timpul funcționării dacă mașina sau acumulatorul se află într-una din situațiile următoare:

### Protecție la suprasarcină

Când mașina/acumulatorul este utilizată/utilizat într-un mod care duce la un consum de curent anormal de ridicat, mașina se va opri automat. În această situație, opriți mașina și întrerupeți aplicația care a dus la supra-solicitarea mașinii. Apoi, reporniți mașina.

### Protecție la supraîncălzire

Când mașina/acumulatorul se supraîncălzește, mașina se oprește automat. În această situație, lăsați mașina/acumulatorul să se răcească înainte de a reporni mașina.

### Protecție la supradescărcare

Când capacitatea acumulatorului scade, mașina se oprește automat. Dacă produsul nu funcționează deși întrerupătoarele sunt acționate, scoateți acumulatorii din mașină și încărcați-i.

### Indicarea capacității rămase a acumulatorului

Apăsăți butonul de verificare de pe cartușul acumulatorului, astfel încât să se indice capacitățile rămase ale acumulatorului. Lămpile indicatorului vor lumina timp de câteva secunde.

► Fig.9: 1. Lămpi indicatoare 2. Buton de verificare

Lămpi indicatoare			Capacitate rămasă
Iluminat	Oprit	Iluminare intermitentă	
■	□	◐	între 75% și 100%
■	■	□	între 50% și 75%
■	■	□	între 25% și 50%
■	□	□	între 0% și 25%
◐	□	□	Încărcați acumulatorul.
■	■	□	Este posibil ca acumulatorul să fie defect.
□	□	■	

**NOTĂ:** În funcție de condițiile de utilizare și temperatura ambientală, indicația poate fi ușor diferită de capacitatea reală.

**NOTĂ:** Prima lampă indicatoare (extremitatea stângă) va lumina intermitent când sistemul de protecție a acumulatorului funcționează.

### Mâner de blocare

**⚠️ ATENȚIE:** Țineți întotdeauna mânerul la eliberarea știftului opritor. În caz contrar, mânerul se ridică brusc, putând cauza accidentări.

În timpul transportului mașinii, mânerul este blocat în poziția coborâtă cu ajutorul știftului opritor. Pentru a debloca mânerul, trageți de știftul opritor și rotiți-l la 90°, în timp ce coborâți puțin mânerul.

► Fig.10: 1. Poziție blocată 2. Poziție deblocată 3. Știft opritor

## Blocare glisare

Trageți știftul opritor și rotiți-l la 90° într-o poziție blocată pentru a permite mișcarea liberă a saniei. Pentru a bloca mișcarea de glisare a saniei, împingeți sania spre braț până când aceasta se oprește, iar apoi readuceți știftul opritor într-o poziție blocată.

- **Fig.11:** 1. Poziție blocată 2. Poziție deblocată  
3. Știft opritor 4. Braț

## Apărătoarea pânzei

**⚠️ AVERTIZARE:** Nu dezactivați sau demontați niciodată apărătoarea pânzei sau arcul care se atașează la apărătoare. O pânză expusă în urma dezactivării apărătoării poate duce la accidente grave în timpul operării.

**⚠️ AVERTIZARE:** Nu utilizați niciodată mașina dacă apărătoarea pânzei sau arcul sunt defecte, deteriorate sau demontate. Operarea mașinii cu o apărătoare defectă, deteriorată sau demontată poate cauza leziuni grave.

**⚠️ ATENȚIE:** Mențineți întotdeauna apărătoarea pânzei în stare bună pentru o operare sigură. Întrerupeți imediat utilizarea în cazul în care constatați nereguli la apărătoarea pânzei. Verificați revenirea apărătoarei sub acțiunea arcului.

Când coborâți mânerul, apărătoarea pânzei se ridică automat. Apărătoarea este pretensionată cu arc, astfel că va reveni în poziția inițială la finalizarea tăierii și ridicarea mânerului.

- **Fig.12:** 1. Apărătoarea pânzei

## Curățarea

Dacă apărătoarea transparentă a pânzei se murdărește sau dacă se depune rumeguș pe aceasta astfel încât pânza și/sau piesa de prelucrat nu mai vizibilă cu ușurință, scoateți cartușul acumulatorului și curățați cu grijă apărătoarea cu o lavetă umedă. Nu utilizați solvenți sau substanțe de curățare bazate pe benzină pe apărătoarea din plastic, deoarece acest lucru ar putea duce la deteriorarea apărătoarei. Urmați instrucțiunile pas cu pas menționate la secțiunea privind pregătirea curățării.

1. Asigurați-vă că mașina este oprită și că ați scos cartușul acumulatorului.
2. Rotiți șurubul cu cap hexagonal în sens anti-orar folosind cheia imbus furnizată, ținând capacul central.
3. Ridicați apărătoarea pânzei și capacul central.
4. După terminarea curățării, puneți la loc capacul central și strângeți șurubul cu cap hexagonal urmând pașii de mai sus în ordine inversă.
5. Asigurați-vă că ați readus pânza de ferăstrău circular și capacul central la pozițiile inițiale și că ați strâns bolțul cu cap hexagonal.

- **Fig.13:** 1. Cheie imbus 2. Bolț cu cap hexagonal  
3. Capac central 4. Apărătoarea pânzei

**⚠️ AVERTIZARE:** Nu demontați arcul care susține apărătoarea pânzei. Dacă apărătoarea se deteriorează în timp sau din cauza expunerii la razele ultraviolete, contactați un centru de service Makita pentru a procura o apărătoare nouă. **NU ÎMPIEDICAȚI SAU DEMONTAȚI APĂRĂTOAREA.**

## Poziționarea plăcii cu fantă

Mașina este prevăzută cu plăci cu fantă în talpa rotativă pentru reducerea la minimum a rușerii pe partea de ieșire a tăieturii. Plăcile cu fantă sunt reglate din fabrică astfel încât pânza de ferăstrău circular să nu intre în contact cu plăcile cu fantă. Înainte de utilizare, reglați plăcile cu fantă după cum urmează:

1. Asigurați-vă că ați îndepărtat cartușul acumulatorului. Apoi, slăbiți toate șuruburile (câte trei în stânga și în dreapta) care fixează plăcile cu fantă.

- **Fig.14:** 1. Placă cu fantă 2. Șurub

2. Strângeți-le la loc numai atât cât plăcile cu fantă să mai poată fi mișcate ușor cu mâna.
3. Coborâți mânerul complet, apoi trageți și rotiți știftul opritor pentru a bloca mânerul în poziția coborâtă.
4. Trageți și rotiți știftul opritor de pe glisieră pentru a permite glisarea saniei.

- **Fig.15:** 1. Știft opritor

5. Trageți sania complet spre dumneavoastră.
6. Reglați plăcile cu fantă astfel încât acestea să atingă doar flancurile dinților pânzei.

- **Fig.16**

- **Fig.17:** 1. Pânză de ferăstrău 2. Dinții pânzei  
3. Placă cu fantă 4. Tăiere înclinată spre stânga 5. Tăiere dreaptă 6. Tăiere înclinată spre dreapta

7. Strângeți șuruburile frontale (nu le strângeți puternic).
8. Glisați sania în jos spre partea din mijloc dintre capătul frontal al plăcilor cu fantă și opritoarele de ghidare. Reglați plăcile cu fantă astfel încât acestea să atingă doar flancurile dinților pânzei.
9. Strângeți șuruburile centrale (nu le strângeți puternic).
10. Împingeți sania complet către opritoarele de ghidare și reglați apoi plăcile cu fantă astfel încât acestea să atingă doar flancurile dinților pânzei.
11. Strângeți șuruburile posterioare (nu le strângeți puternic).
12. După reglarea plăcilor cu fantă, eliberați știftul opritor pentru blocarea mânerului și ridicați mânerul. Apoi strângeți ferm toate șuruburile.

**NOTĂ:** După setarea unghiului de înclinație, asigurați-vă că plăcile cu fantă sunt ajustate corect. Reglarea corectă a plăcilor cu fantă va ajuta la susținerea corectă a piesei de prelucrat, minimizând ruperea acesteia.

## Menținerea capacității maxime de tăiere

Această mașină este reglată din fabrică pentru a asigura o capacitate de tăiere maximă pentru o pânză de ferăstrău de 216 mm.

Când instalați o pânză de ferăstrău circular nouă, verificați întotdeauna poziția limită inferioară a pânzei de ferăstrău circular și, dacă este necesar, reglați-o după cum urmează:

1. Scoateți cartușul acumulatorului. Apoi, împingeți sania complet către ghidajul opritor și coborâți mânerul complet.

► **Fig.18:** 1. Șurub de reglare 2. Opritor de ghidare

2. Folosiți cheia imbus pentru a roti bolțul de reglare până la punctul în care pânda de ferăstrău circular ajunge puțin sub intersecția opritorului de ghidare și suprafața superioară a tălpii rotative.

► **Fig.19**

3. Rotiți pânda cu mâna în timp ce țineți mânerul coborât complet pentru a vă asigura că pânda de ferăstrău circular nu intră în contact cu nicio porțiune a tălpii inferioare. Reglați din nou ușor, dacă este cazul.

**⚠️AVERTIZARE:** După instalarea unei pânde noi de ferăstrău circular și cu cartușul acumulatorului scos, asigurați-vă că pânda de ferăstrău circular nu intră în contact cu nicio parte a bazei inferioare atunci când mânerul este coborât complet. Dacă o pânda de ferăstrău circular intră în contact cu baza, aceasta ar putea cauza un recul, provocând accidente grave.

► **Fig.20**

## Braț opritor

Poziția limită inferioară a pânzei de ferăstrău circular poate fi reglată ușor cu brațul opritor. Pentru reglare, deplasați brațul opritor în direcția săgeții, după cum se vede în figură. Rotiți șurubul de reglare astfel încât pânda să se oprească în poziția dorită atunci când mânerul este coborât complet.

► **Fig.21:** 1. Cheie imbus 2. Șurub de reglare 3. Braț opritor

**⚠️ATENȚIE:** Întotdeauna țineți bine de mâner în timpul reglajelor. În caz contrar, sania poate să sară și să provoace accidente.

## Reglarea unghiului de tăiere oblică

**⚠️ATENȚIE:** După schimbarea unghiului de tăiere oblică, fixați întotdeauna talpa rotativă readucând pârghia de eliberare într-o poziție blocată și strângând ferm maneta.

**NOTĂ:** Când rotiți talpa rotativă, aveți grijă să ridicați mânerul complet.

1. Rotiți maneta în sens antiorar și apăsați pârghia de eliberare într-o poziție deblocată.

2. Țineți și balansați maneta dintr-o parte în alta pentru a roti talpa.

3. Aliniați indicatorul la unghiul dorit de pe scala pentru unghiul de tăiere oblică.

4. Ridicați pârghia de eliberare într-o poziție blocată și strângeți maneta.

► **Fig.22:** 1. Manetă 2. Pârghie de eliberare 3. Poziție blocată 4. Poziție deblocată 5. Indicator 6. Scală pentru unghi de tăiere oblică

## Funcția de oprire pozitivă

Acest ferăstrău pentru tăieri oblice utilizează funcția de oprire pozitivă. Puteți să setați rapid un unghi de tăiere oblică către stânga/dreapta de 0°, 15°, 22,5°, 31,6°, 45°, și 60°.

1. Rotiți talpa aproape de unghiul dorit de oprire pozitivă apăsând în același timp pârghia de eliberare în poziția deblocată.

2. Ridicați încet pârghia de eliberare până la jumătatea distanței dintre poziția de deblocată și cea blocată.

3. Rotiți talpa până la unghiul dorit de oprire pozitivă până când aceasta este fixată.

4. Împingeți pârghia de eliberare în sus, în poziția blocată și strângeți maneta.

► **Fig.23:** 1. Unghi de oprire pozitivă 2. Pârghie de eliberare 3. Poziție blocată 4. Poziție deblocată 5. Manetă

## Reglarea unghiului de înclinație

**⚠️ATENȚIE:** După schimbarea unghiului de înclinație, fixați întotdeauna brațul strângând discul manetei în sens orar.

**NOTĂ:** Scoateți întotdeauna opritoarele de ghidare superioare și menghina verticală înainte de a regla unghiul de înclinație.

**NOTĂ:** La înclinarea pânzei de ferăstrău circular, asigurați-vă că sania este complet ridicată.

**NOTĂ:** Când schimbați unghiurile de înclinație, asigurați-vă că plăcile cu fantă sunt re poziționate corect, în modul descris în secțiunea referitoare la poziționarea plăcilor cu fantă.

**NOTĂ:** Nu strângeți prea tare discul manetei. În caz contrar, mecanismul de blocare a unghiului de înclinație ar putea funcționa defectuos.

## Înclinarea pânzei de ferăstrău circular spre stânga

1. Rotiți discul manetei în sens antiorar.

2. Țineți mânerul și înclinați sania spre stânga.

3. Aliniați indicatorul la unghiul dorit de pe scala pentru unghiul de înclinație.

4. Strângeți discul manetei în sens orar pentru a fixa brațul.

► **Fig.24:** 1. Discul manetei 2. Mâner 3. Indicator 4. Scală pentru unghi de înclinație

## Înclinarea pânzei de ferăstrău circular spre dreapta

1. Rotiți discul manetei în sens antiorar.

2. Țineți mânerul și înclinați sania puțin spre stânga.

3. Înclinați sania spre dreapta, trăgând în același timp de pârghia de eliberare pentru unghiul de înclinație spre dreapta.

4. Aliniați indicatorul la unghiul dorit de pe scala pentru unghiul de înclinație.

5. Strângeți discul manetei în sens orar pentru a fixa brațul.

► **Fig.25:** 1. Discul manetei 2. Mâner 3. Pârghie de eliberare pentru unghiul de înclinație spre dreapta 4. Indicator 5. Scală pentru unghi de înclinație

## Înclinarea pânzei de ferăstrău circular în afara intervalului 0° - 45°

1. Rotiți discul manetei în sens antiorar.
2. Țineți mânerul și înclinați sania pe o rază de aproximativ 45° fie spre stânga, fie spre dreapta.
3. Trageți sania puțin în spate și rotiți pârghia de eliberare în sens orar pentru un unghi de înclinație de 48°.
4. Continuați să înclinați sania spre stânga sau spre dreapta, menținând în același timp pârghia eliberată.
5. Strângeți discul manetei în sens orar pentru a fixa brațul.

► **Fig.26:** 1. Discul manetei 2. Mâner 3. Pârghie de eliberare pentru un unghi de înclinație de 48°

## Acționarea întrerupătorului

**AVERTIZARE:** Înainte de a monta cartușele acumulatorului în mașină, verificați întotdeauna dacă butonul declanșator funcționează corect și revine în poziția „OFF” (Oprit) când este eliberat. Nu apăsați puternic butonul declanșator fără a apăsa butonul de deblocare. Comutatorul se poate rupe. Operarea mașinii cu un întrerupător care nu acționează corect poate duce la pierderea controlului și la accidentări grave.

**AVERTIZARE:** Nu utilizați NICIODATĂ mașina fără un buton declanșator complet operațional. Orice mașină cu un comutator disfuncțional este EXTREM DE PERICULOASĂ și trebuie reparată înainte de a fi folosită, în caz contrar putând rezulta leziuni grave.

**AVERTIZARE:** Nu dezactivați NICIODATĂ butonul de deblocare prin fixare cu bandă sau prin alte mijloace. Un comutator de deblocare anulat poate duce la operarea accidentală, cauzând potențiale leziuni grave.

**AVERTIZARE:** Nu utilizați NICIODATĂ mașina dacă aceasta pornește la simpla apăsare a butonului declanșator, fără a apăsa butonul de deblocare. Un comutator defect poate duce la operarea accidentală, cauzând leziuni grave. Returnați mașina la un centru de service Makita pentru efectuarea reparațiilor corespunzătoare ÎNAINTE de a continua utilizarea acesteia.

► **Fig.27:** 1. Buton declanșator 2. Buton de deblocare 3. Orificiu pentru lacăt

Pentru a preveni acționarea accidentală a butonului declanșator, este prevăzut un buton de deblocare. Pentru a porni mașina, apăsați butonul de deblocare și acționați butonul declanșator. Eliberați butonul declanșator pentru a opri mașina.

Este prevăzut un orificiu în butonul declanșator pentru introducerea unui lacăt pentru blocarea mașinii.

**AVERTIZARE:** Nu utilizați un lacăt cu o tijă sau un cablu cu diametrul mai mic de 6,35 mm. O tijă sau un cablu cu diametrul mai mic nu va asigura blocarea adecvată a mașinii în poziția oprit, putându-se declanșa operarea accidentală, care poate duce la accidentări grave.

## Luminarea unei linii de tăiere

**ATENȚIE:** Lampa nu este rezistentă la ploaie. Nu spălați lampa cu apă și nu o folosiți în ploaie sau în zone umede. În caz contrar, aceasta poate conduce la electrocutare și la degajarea de vapori.

**ATENȚIE:** Nu atingeți lentila lămpii în timpul funcționării sau imediat după stingerea ei, deoarece este foarte fierbinte. Acest lucru poate provoca arsuri.

**ATENȚIE:** Nu aplicați șocuri lămpii, fiindcă acestea se poate deteriora sau își poate reduce durata de exploatare.

**ATENȚIE:** Nu priviți direct în raza sau în sursa de lumină.

Lampa LED proiectează lumină pe pânză de ferăstrău circular, iar o umbră a pânzei se reflectă pe piesa de prelucrat, servind drept indicator al liniei de tăiere fără calibrare. Apăsați butonul lămpii pentru a proiecta lumina. Va apărea o linie, iar pânza va întâlni suprafața piesei de prelucrat, care va deveni din ce în ce mai profundă pe măsură ce pânza coboară.

► **Fig.28:** 1. Buton lampă 2. Lampă 3. Linie de tăiere

Indicatorul ajută la tăierea pe o linie de tăiere deja existentă, trasată pe o piesă de prelucrat.

1. Țineți mânerul și coborâți pânza de ferăstrău circular, astfel încât pe piesa de prelucrat să se regăsească o umbră densă a pânzei.
2. Aliniați linia de tăiere trasată pe piesa de prelucrat cu linia de tăiere marcată de umbră.
3. Reglați unghiurile de tăiere oblice și unghiurile de înclinație dacă este necesar.

**NOTĂ:** Asigurați-vă că dezactivați comutatorul lămpii după utilizare, întrucât lumina aprinsă consumă puterea acumulatorului.

**NOTĂ:** Lumina se stinge automat la 5 minute de la încetarea utilizării.

## Funcție electronică

### Frână electrică

Această mașină este echipată cu o frână electrică pentru pânză. Dacă în repetate rânduri, mașina nu se oprește rapid după ce butonul declanșator este eliberat, solicitați repararea acesteia la un centru de service Makita.

### Control constant al vitezei

Unealta este prevăzută cu un control electronic de viteză care ajută la menținerea unei viteze constante de rotație a pânzei chiar și sub sarcină. O viteză de rotație constantă a pânzei va duce la o tăiere foarte uniformă.

### Funcție de pornire lină

Această funcție permite pornirea corectă a uneltei prin limitarea cuplului de pornire.

# ASAMBLARE

**⚠️ AVERTIZARE:** Asigurați-vă întotdeauna că mașina este oprită și cartușul acumulatorului scos înaintea lucrului pe aceasta. Dacă mașina nu este oprită, iar cartușul acumulatorului nu este scos, pot rezulta accidente grave.

## Depozitarea cheii imbus

Atunci când nu este utilizată, depozitați cheia imbus după cum se vede în figură pentru a nu se pierde.

► Fig.29: 1. Cheie imbus

## Demontarea și montarea pânzei de ferăstrău

**⚠️ AVERTIZARE:** Asigurați-vă întotdeauna că mașina este oprită și cartușul acumulatorului este scos înainte de demontarea și montarea pânzei de ferăstrău circular. Pornirea accidentală a mașinii poate provoca vătămări corporale grave.

**⚠️ AVERTIZARE:** Folosiți numai cheia Makita furnizată pentru demontarea și montarea pânzei de ferăstrău circular. Neutilizarea acestei chei poate duce la strângerea excesivă sau insuficientă a bolțului cu cap hexagonal și poate provoca vătămări corporale grave.

**⚠️ AVERTIZARE:** Nu utilizați sau nu înlocuiți nicio dată componente care nu sunt furnizate cu această mașină. În caz contrar, se pot produce accidentări grave.

**⚠️ AVERTIZARE:** După ce ați montat pânza de ferăstrău circular, asigurați-vă întotdeauna că este bine fixată. O pânză de ferăstrău circular care nu este bine fixată poate provoca accidentări grave.

## Demontarea pânzei

Pentru a demonta pânza de ferăstrău circular, urmați pașii de mai jos:

1. Blocați sania în poziția ridicată trăgând și rotind știftul opritor într-o poziție blocată.

► Fig.30: 1. Știft opritor

2. Folosiți cheia imbus pentru a slăbi șurubul cu cap hexagonal care fixează capacul central. Apoi, ridicați apărătoarea pânzei și capacul central.

► Fig.31: 1. Cheie imbus 2. Șurub cu cap hexagonal 3. Capac central 4. Apărătoarea pânzei

3. Apăsăți pârghia de blocare a axului pentru a bloca arborele și folosiți cheia imbus pentru a desface bolțul cu cap hexagonal în sens orar. Apoi, îndepărtați bolțul cu cap hexagonal, flanșa exterioră și pânza de ferăstrău circular.

► Fig.32: 1. Șurub cu cap hexagonal (cu filet pe stânga) 2. Flanșă exterioră 3. Pârghie de blocare a axului

4. Dacă flanșa interioară este demontată, montați-o pe arbore cu piesa de montare a pânzei spre pânza de ferăstrău circular. Dacă flanșa este montată incorect, va exista fricțiune între aceasta și mașină.

► Fig.33: 1. Flanșă exterioră 2. Pânză de ferăstrău circular 3. Flanșă interioară 4. Șurub cu cap hexagonal (cu filet pe stânga) 5. Arbore 6. Piesă de montare a pânzei

## Montarea pânzei

**⚠️ ATENȚIE:** Asigurați-vă că montați pânza de ferăstrău circular astfel încât direcția săgeții de pe pânză să se potrivească cu cea de pe carcasa pânzei. În caz contrar, se poate ajunge la vătămări corporale și la defectarea mașinii și/sau a piesei de prelucrat.

Pentru a monta pânza de ferăstrău circular, efectuați următorii pași:

1. Montați pânza de ferăstrău circular cu grijă pe flanșa interioară. Aveți grijă ca direcția săgeții de pe suprafața pânzei de ferăstrău circular să fie identică cu cea a săgeții de pe carcasa pânzei.

► Fig.34: 1. Săgeată

2. Instalați flanșa exterioră și bolțul cu cap hexagonal, iar apoi folosiți cheia imbus pentru a strânge bolțul cu cap hexagonal (cu filet pe stânga) în sens antiorar, în timp ce apăsați pârghia de blocare a axului.

3. Readuceți apărătoarea pânzei și capacul central în poziția inițială. Apoi strângeți șurubul cu cap hexagonal al capacului central pentru a-l fixa.

4. Trageți și rotiți știftul opritor pentru a elibera sania din poziția ridicată. Coborâți sania și verificați dacă apărătoarea pânzei se deplasează corect.

## Pentru mașină cu flanșă interioară pentru o pânză de ferăstrău cu orificiul cu diametru de 15,88 mm

*Diferă în funcție de țară*

Montați flanșa interioară cu porțiunea înfundată în exterior spre axul de montare, iar apoi instalați pânza de ferăstrău circular, flanșa exterioră și bolțul cu cap hexagonal.

► Fig.35: 1. Flanșă exterioră 2. Pânză de ferăstrău circular 3. Flanșă interioară 4. Șurub cu cap hexagonal (cu filet pe stânga) 5. Arbore 6. Porțiune înfundată

## Pentru mașină cu flanșă interioară pentru o pânză de ferăstrău cu un orificiu diferit de orificiul cu diametru de 25,4 mm sau 30 mm

*Diferă în funcție de țară*

Flanșa interioară are o piesă de montare cu un anumit diametru pe o parte și un diametru diferit pe cealaltă parte. Alegeți partea corectă pe care piesa de montare a pânzei se potrivește perfect în orificiul pânzei de ferăstrău circular.

► Fig.36: 1. Flanșă exterioră 2. Pânză de ferăstrău circular 3. Flanșă interioară 4. Șurub cu cap hexagonal (cu filet pe stânga) 5. Arbore 6. Piesă de montare a pânzei

**⚠️ ATENȚIE:** Asigurați-vă că piesa de montare „a” a pânzei de pe flanșa interioară, poziționată în exterior, se încadrează perfect în orificiul „a” al pânzei de ferăstrău circular. Montarea pânzei de ferăstrău circular pe partea incorectă poate provoca vibrații periculoase.



## Conectarea unui aspirator

Dacă doriți să executați operații de tăiere curate, conectați la duza de praf (portul superior pentru praf) un aspirator Makita, folosind o garnitură frontală 24 (accesoriu opțional).

► **Fig.37:** 1. Garnituri frontale 24 2. Furtun 3. Aspirator

## Sac de praf

**ATENȚIE:** Atunci când tăiați, montați întotdeauna sacul de praf sau conectați un aspirator pentru a preveni pericolul care pot apărea din cauza prafului.

Folosirea sacului de praf permite realizarea unor tăieri curate și facilitează colectarea prafului. Pentru a monta sacul de praf, scoateți furtunul de extragere a prafului din mașină și conectați sacul de praf la duza de praf (portul superior pentru praf).

► **Fig.38:** 1. Furtun de extragere a prafului 2. Sac de praf 3. Duza de praf (portul superior pentru praf)

Când sacul de praf s-a umplut până la aproximativ jumătate din capacitate, scoateți sacul de praf de pe mașină și extrageți dispozitivul de fixare. Golțiți conținutul sacului de praf prin lovire ușoară astfel încât să eliminați particulele care aderă la interior și care ar putea stânjeni colectarea ulterioară.

► **Fig.39:** 1. Dispozitiv de fixare

## Fixarea piesei de prelucrat

**AVERTIZARE:** Este extrem de important să asigurați întotdeauna piesa de prelucrat în mod corect, cu tipul adecvat de menghină. În caz contrar, pot rezulta accidentări grave și defectarea mașinii și/sau a piesei de prelucrat.

**AVERTIZARE:** La tăierea unei piese de prelucrat mai lungi decât baza de susținere a ferăstrăului, materialul trebuie susținut pe întreaga lungime, dincolo de baza de susținere și la aceeași înălțime pentru a păstra nivelul materialului. O susținere corectă a piesei de prelucrat va ajuta la evitarea prinderii pânzei și a posibilului recul care ar putea duce la accidentări grave. Nu vă bazați exclusiv pe menghina verticală și/sau pe menghina orizontală pentru a fixa piesa de prelucrat. Materialele subțiri tind să se încovoieze sub propria greutate. Rezemați piesa de prelucrat pe întreaga sa lungime pentru a evita strângerea pânzei și posibilele RECULURI.

► **Fig.40:** 1. Suport 2. Talpă rotativă

## Opritoare de ghidare

**AVERTIZARE:** Înainte de a pune în funcțiune mașina, aveți grijă ca opritorul superior să fie bine fixat.

**AVERTIZARE:** Înainte de tăierea înclinată, aveți grijă ca nicio porțiune a uneltei, în special pânza, să nu intre în contact cu opritoarele inferioare și superioare când coborâți și ridicați mânerul complet în orice poziție și când trageți sau împingeți sania la capătul de cursă. Dacă unealta sau pânza intră în contact cu opritoarele, acest lucru ar putea duce la recul, mișcarea bruscă a materialului și accidentări grave.

Utilizați opritoarele superioare pentru a sprijini materialul mai sus decât opritoarele inferioare. Slăbiți șurubul de strângere astfel încât opritoarele superioare să gliseze în interior și în exterior peste opritoarele inferioare. Repoziționați opritoarele și apoi strângeți șurubul.

► **Fig.41:** 1. Opritor superior 2. Opritor inferior 3. Șurub de strângere 4. Șurub de reglare

**NOTĂ:** Opritoarele inferioare sunt fixate de talpă în fabrică. Nu scoateți opritoarele inferioare.

**NOTĂ:** Dacă opritorul inferior este nefixat chiar și după strângerea șurubului de strângere, rotiți șurubul de reglare pentru a închide un gol. Șurubul de reglare este reglat din fabrică. Nu trebuie să îl utilizați dacă nu este necesar.

## Menghină verticală

**AVERTIZARE:** Piesa de prelucrat trebuie să fie fixată ferm pe talpa rotativă și pe opritoarele de ghidare cu menghina pe durata tuturor operațiilor. Dacă piesa de prelucrat nu este fixată corect pe opritoare, materialul se poate mișca în timpul operației de tăiere, cauzând posibila deteriorare a pânzei, proiectarea materialului și pierderea controlului, provocând accidentări grave.

Menghina verticală poate fi instalată în două poziții, pe partea stângă și dreaptă a tălpilor. Introduceți tija menghinei într-unul din orificiile tălpilor.

Poziționați brațul menghinei în funcție de grosimea și forma piesei de prelucrat și fixați brațul menghinei prin strângerea șurubului de strângere. Dacă șurubul de strângere intră în contact cu sania, instalați-l pe latura opusă a brațului menghinei. Asigurați-vă că nicio parte a mașinii nu intră în contact cu menghina atunci când coborâți mânerul complet. Dacă orice parte atinge menghina, repoziționați menghina.

Apăsăți piesa de prelucrat uniform pe opritoarele de ghidare și pe talpa rotativă. Poziționați piesa de prelucrat în poziția de tăiere dorită și fixați-o ferm prin strângerea butonului rotativ al menghinei.

► **Fig.42:** 1. Orificii 2. Tija menghinei 3. Brațul menghinei 4. Șurub de strângere 5. Butonul rotativ al menghinei

## Menghină orizontală

### Accesorii opționale

**⚠️ AVERTIZARE:** Rotiți întotdeauna suportul pentru piuliță, în sens orar, până când piesa de prelucrat este fixată corect. Dacă piesa de prelucrat nu este fixată corect, materialul se poate mișca în timpul operației de tăiere, cauzând posibila deteriorare a pânzei de ferăstrău circular, proiectarea materialului și pierderea controlului, provocând vătămări corporale grave.

**⚠️ AVERTIZARE:** La tăierea unei piese de prelucrat subțiri, precum plăci, pe opritoare, utilizați întotdeauna menghina orizontală.

**⚠️ ATENȚIE:** Atunci când tăiați piesa de prelucrat la o grosime de 20 mm sau mai mică, asigurați-vă că utilizați un distanțier pentru fixarea piesei.

Menghina orizontală poate fi instalată pe partea stângă sau pe partea dreaptă a tălpii. La efectuarea unor tăieri oblice de 22,5° sau mai mari, montați menghina orizontală pe partea opusă direcției în care va fi rotită talpa rotativă.

Prin bascularea suportului pentru piuliță în sens anti-orar, menghina este eliberată și poate fi introdusă și extrasă rapid. Pentru a prinde piesa de prelucrat, împingeți înainte butonul rotativ al menghinei până când placa menghinei intră în contact cu piesa de prelucrat și basculați suportul pentru piuliță în sens orar. Apoi rotiți butonul rotativ al menghinei în sens orar pentru a fixa piesa de prelucrat.

► Fig.43: 1. Placa menghinei 2. Suport pentru piuliță 3. Butonul rotativ al menghinei

**NOTĂ:** Lățimea maximă a piesei de prelucrat care poate fi fixată cu menghina orizontală este de 68 mm.

## Suport

**⚠️ AVERTIZARE:** Susțineți întotdeauna o piesă de prelucrat lungă, astfel încât aceasta să se afle la același nivel cu suprafața superioară a tălpii rotative pentru o tăiere precisă și pentru a preveni pierderea controlului. O susținere corectă a piesei de prelucrat va ajuta la evitarea prinderii pânzei și la posibilul recul care ar putea duce la accidentări grave.

**⚠️ AVERTIZARE:** Înainte de operația de tăiere, asigurați-vă întotdeauna că suporturile sunt fixate cu șuruburi.

Pentru a menține piesele de prelucrat lungi pe orizontală, sunt furnizate suporturi pe ambele părți ale mașinii. Slăbiți șuruburile și extindeți suporturile la lungimea corespunzătoare pentru a menține piesa de prelucrat. Apoi strângeți șuruburile.

► Fig.44: 1. Suport 2. Șurub

Atunci când tăiați, așezați piesa de prelucrat uniform pe opritoare de ghidare.

► Fig.45: 1. Opritor de ghidare 2. Suport

## OPERAREA

Această mașină este destinată tăierii produselor din lemn. Cu pânze de ferăstrău Makita originale adecvate, pot fi tăiate și următoarele materiale:

— produse din aluminiu

Consultați site-ul nostru web sau contactați distribuitorul local Makita pentru pânzele de ferăstrău circular adecvate materialului care va fi tăiat.

**⚠️ AVERTIZARE:** Asigurați-vă că pânza de ferăstrău circular nu intră în contact cu piesa de prelucrat etc. înainte de a conecta comutatorul. Pornirea mașinii cu pânza de ferăstrău circular în contact cu piesa de prelucrat poate provoca reculul și accidentări grave.

**⚠️ AVERTIZARE:** După o operație de tăiere, ridicați pânza de ferăstrău circular doar după oprirea completă a acesteia. Ridicarea pânzei în mișcare ar putea provoca accidentări grave și deteriorarea piesei de prelucrat.

**⚠️ AVERTIZARE:** Nu efectuați niciun reglaj precum rotirea mânerului, a pârghiilor, a știftului opritor de pe mașină în timp ce pânza de ferăstrău circular se rotește. Reglajul în timpul rotirii pânzei de ferăstrău circular poate provoca accidentări grave.

**NOTĂ:** Înainte de utilizare, asigurați-vă că deblocați știftul opritor și eliberați mânerul din poziția coborâtă.

**NOTĂ:** Nu aplicați o presiune excesivă asupra mânerului în timpul tăierii. O apăsare prea puternică poate avea ca efect suprasolicitarea motorului și/sau reducerea eficienței tăierii. Apăsați mânerul numai cu forța necesară pentru o tăiere ușoară și fără o reducere semnificativă a vitezei pânzei.

**NOTĂ:** Apăsați ușor mânerul pentru a executa tăierea. Dacă mânerul este apăsat puternic sau este împins lateral, pânza de ferăstrău circular va vibra și va lăsa o urmă (urmă de ferăstrău) în piesa de prelucrat, iar precizia tăierii poate fi afectată.

**NOTĂ:** În timpul unei tăieri prin glisare, împingeți ușor sania către opritoare de ghidare fără a vă opri. Dacă deplasarea saniei este întreruptă în timpul tăierii, pe piesă va rămâne o urmă și precizia tăierii poate fi afectată.

## Tăierea prin apăsare

**⚠️ AVERTIZARE:** Blocați întotdeauna mișcarea de glisare a saniei atunci când efectuați o tăiere prin apăsare. Tăierea fără apăsare poate duce la un posibil recul, rezultând accidentări grave.

Piesele de prelucrat de până la 70 mm înălțime și 92 mm lățime pot fi tăiate în modul următor.

1. Împingeți sania spre opritoare de ghidare până când se oprește și blocați-o cu știftul opritor.
2. Fixați piesa de prelucrat cu tipul corespunzător de menghină.

3. Porniți mașina fără ca pânza de ferăstrău circular să fie în contact și așteptați până când pânza de ferăstrău circular atinge viteza maximă înainte de a coborî.

4. Apoi coborâți încet mânerul până în poziția complet coborâtă pentru a tăia piesa.

5. După finalizarea tăierii, opriți mașina și **așteptați până când pânza de ferăstrău circular se oprește complet** înainte de a reduce pânza de ferăstrău circular în poziția complet ridicată.

► Fig.46: 1. Știft opritor

## Tăierea prin glisare (împingere) (tăierea pieselor late)

**AVERTIZARE:** La fiecare efectuare a unei tăieri prin glisare, trageți mai întâi sania complet către dumneavoastră, apoi apăsați mânerul complet și împingeți sania spre ghidajul opritor. Nu începeți niciodată tăierea dacă sania nu este trasă complet spre dumneavoastră. În caz contrar, se poate produce un recul, rezultând accidentări grave.

**AVERTIZARE:** Nu încercați niciodată să efectuați o tăiere prin glisare trăgând sania către dumneavoastră. Tragerea saniei către dumneavoastră în timp ce efectuați tăierea poate duce la un recul neașteptat și accidentări grave.

**AVERTIZARE:** Nu efectuați niciodată o tăiere prin glisare cu mânerul blocat în poziția coborât.

1. Deblocați știfturile opritoare astfel încât sania să poată fi ridicată și să poată glisa liber.
  2. Fixați piesa de prelucrat cu tipul corespunzător de menghină.
  3. Trageți sania complet spre dumneavoastră.
  4. Porniți mașina fără ca pânza de ferăstrău circular să fie în contact și așteptați până când pânza de ferăstrău circular atinge viteza maximă.
  5. Apăsați mânerul în jos și **împingeți sania către opritoarele de ghidare și prin piesa de prelucrat.**
  6. După finalizarea tăierii, opriți mașina și **așteptați până când pânza de ferăstrău circular se oprește complet** înainte de a reduce pânza de ferăstrău circular în poziția complet ridicată.
- Fig.47: 1. Știft opritor pentru mâner de blocare  
2. Știft opritor pentru blocare glisare

## Tăierea oblică

Consultați secțiunea referitoare la reglarea unghiului de tăiere oblică.

## Tăierea înclinată

**AVERTIZARE:** După fixarea pânzei de ferăstrău circular pentru o tăiere înclinată, asigurați-vă că sania și pânza de ferăstrău circular au o cursă liberă pe întreaga lungime a tăierii de efectuat înainte de a opera mașina. Întreruperea cursei saniei sau a pânzei de ferăstrău circular în timpul operației de tăiere poate duce la recul și accidentări grave.

**AVERTIZARE:** În timp ce efectuați o tăiere înclinată, feriți-vă mâinile din calea pânzei de ferăstrău circular. Unghiul pânzei de ferăstrău circular poate deruta operatorul în ceea ce privește direcția reală a acesteia în timpul tăierii, iar contactul cu pânza de ferăstrău circular va duce la accidentări grave.

**AVERTIZARE:** Pânza de ferăstrău circular va fi ridicată doar după oprirea completă a acesteia. În timpul unei tăieri înclinate, bucata tăiată poate intra în contact cu pânza de ferăstrău circular. Dacă pânza de ferăstrău circular este ridicată în timpul rotirii, bucata tăiată poate fi proiectată de pânza de ferăstrău circular cauzând fragmentarea materialului, ceea ce poate duce la accidentări grave.

**NOTĂ:** Când apăsați mânerul în jos, aplicați o presiune în direcția paralelă cu pânza de ferăstrău circular. Dacă forța este aplicată perpendicular pe talpa rotativă sau dacă direcția de aplicare a presiunii se modifică în timpul tăierii, precizia tăierii va fi afectată.

1. Scoateți opritorul superior pe partea pe care veți înclina sania.
  2. Deblocați știfturile opritoare astfel încât sania să poată fi ridicată și să poată glisa liber.
  3. Reglați unghiul de înclinație conform procedurii explicate în secțiunea referitoare la reglarea unghiului de tăiere oblică. Apoi, strângeți discul manetei.
  4. Fixați piesa de prelucrat cu o menghină.
  5. Trageți sania complet spre dumneavoastră.
  6. Porniți mașina fără ca pânza de ferăstrău circular să fie în contact și așteptați până când pânza de ferăstrău circular atinge viteza maximă.
  7. Coborâți încet mânerul până în poziția complet coborâtă, aplicând presiune în direcția paralelă cu pânza de ferăstrău circular, și **împingeți sania către opritoarele de ghidare pentru a tăia piesa de prelucrat.**
  8. După finalizarea tăierii, opriți mașina și **așteptați până când pânza de ferăstrău circular se oprește complet** înainte de a reduce pânza de ferăstrău circular în poziția complet ridicată.
- Fig.48

## Tăierea combinată

Tăierea combinată reprezintă procedeul prin care se execută o tăiere înclinată simultan cu o tăiere oblică a piesei de prelucrat. Tăierea combinată poate fi executată la unghiurile prezentate în tabel.

Unghi de tăiere oblică	Unghi de înclinație
Stânga și dreapta 0° - 45°	Stânga și dreapta 0° - 45°

Când executați tăieri combinate, consultați secțiunile referitoare la tăierea prin apăsare, tăierea prin glisare (împingere), tăierea oblică și tăierea înclinată.

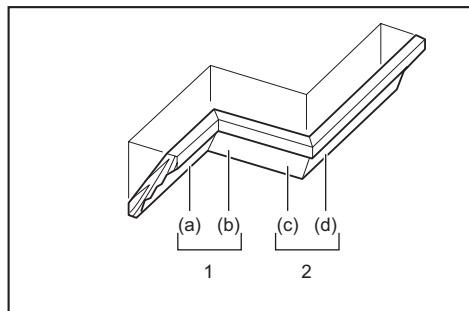
## Tăierea de cornișe și plinte

Cornișele și plintele pot fi tăiate cu un ferăstrău pentru tăieri oblice combinate, întinse orizontal pe talpa rotativă.

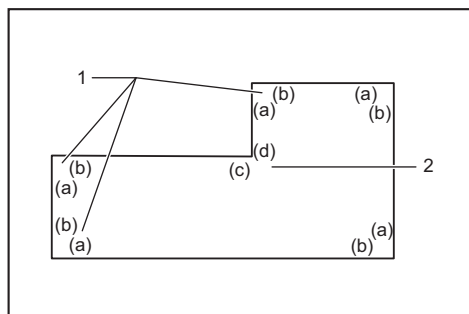
Există două tipuri de cornișe și un tip de plintă obișnuite; cornișă la unghi de 52/38° față de perete, cornișă la unghi de 45° față de perete și plintă la unghi de 45° față de perete.

► **Fig.49:** 1. Cornișă tip 52/38° 2. Cornișă tip 45°  
3. Plintă tip 45°

Există îmbinări pentru cornișe și plinte care sunt fabricate pentru a se potrivi la colțuri de 90° pe „Interior” ((a) și (b) din figură) și la colțuri de 90° pe „Exterior”, ((c) și (d) din figură.)



1. Colț interior 2. Colț exterior



1. Colț interior 2. Colț exterior

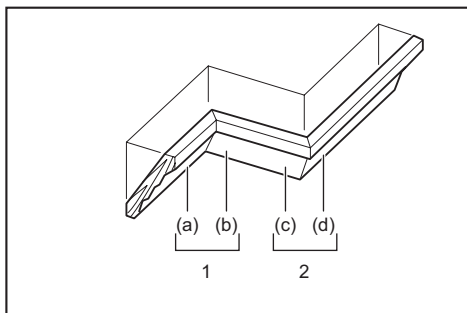
## Măsurarea

Măsurați lățimea peretelui și ajustați lățimea piesei în consecință. Asigurați-vă întotdeauna că lățimea piesei la muchia de contact cu peretele este la fel cu lungimea peretelui.

► **Fig.50:** 1. Piesă de prelucrat 2. Lățimea peretelui 3. Lățimea piesei de prelucrat 4. Muchia de contact cu peretele

Utilizați întotdeauna mai multe piese pentru tăieri de testare în vederea verificării unghiurilor ferăstrăului. La tăierea cornișelor și plintelor, setați unghiul de înclinație și unghiul de tăiere oblică după cum este indicat în tabelul (A) și poziționați-le pe fața superioară a tălpii ferăstrăului după cum este indicat în tabelul (B).

## În cazul tăierii oblice la stânga



1. Colț interior 2. Colț exterior

Tabel (A)

-	Poziția profilurilor din figură	Unghi de înclinație		Unghi de tăiere oblică	
		Tip 52/38°	Tip 45°	Tip 52/38°	Tip 45°
Pentru colț interior	(a)	Stânga 33,9°	Stânga 30°	Dreapta 31,6°	Dreapta 35,3°
	(b)			Stânga 31,6°	Stânga 35,3°
Pentru colț exterior	(c)			Dreapta 31,6°	Dreapta 35,3°
	(d)				

Tabel (B)

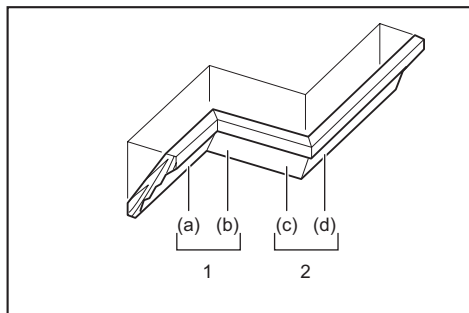
-	Poziția profilurilor din figură	Muchie profil sprijinită pe ghidajul opritor	Piesă finită
Pentru colț interior	(a)	Muchia de contact cu plafonul trebuie să se sprijine pe ghidajul opritor.	Piesă finită va fi pe partea stângă a pânzei.
	(b)	Muchia de contact cu peretele trebuie să se sprijine pe ghidajul opritor.	
Pentru colț exterior	(c)	Muchia de contact cu plafonul trebuie să se sprijine pe ghidajul opritor.	Piesă finită va fi pe partea dreaptă a pânzei.
	(d)	Muchia de contact cu plafonul trebuie să se sprijine pe ghidajul opritor.	

Exemplu:

În cazul tăierii cornișei tip 52/38° pentru poziția (a) din figura de mai sus:

- Înclinați și fixați setarea unghiului de înclinare la 33,9° STÂNGA.
- Reglați și fixați setarea unghiului de tăiere oblică la 31,6° DREAPTA.
- Plasați cornișa cu suprafața (ascunsă) posterioară lată pe talpa rotativă având MUCHIA DE CONTACT CU PLAFONUL sprijinită pe ghidajul opritor al ferăstrăului.
- Piesa finită care va fi folosită va fi întotdeauna pe partea STÂNGĂ a pânzei de ferăstrău circular după efectuarea tăierii.

## În cazul tăierii înclinate la dreapta



1. Colț interior 2. Colț exterior

Tabel (A)

-	Poziția profilurilor din figură	Unghi de înclinație		Unghi de tăiere oblică	
		Tip 52/38°	Tip 45°	Tip 52/38°	Tip 45°
Pentru colț interior	(a)	Dreapta 33,9°	Dreapta 30°	Dreapta 31,6°	Dreapta 35,3°
	(b)			Stânga 31,6°	Stânga 35,3°
Pentru colț exterior	(c)			Dreapta 31,6°	Dreapta 35,3°
	(d)				

Tabel (B)

-	Poziția profilurilor din figură	Muchie profil sprijinită pe ghidajul opritor	Piesă finită
Pentru colț interior	(a)	Muchia de contact cu peretele trebuie să se sprijine pe opritorul de ghidare.	Piesa finită va fi pe partea dreaptă a pânzei.
	(b)	Muchia de contact cu plafonul trebuie să se sprijine pe opritorul de ghidare.	
Pentru colț exterior	(c)	Muchia de contact cu peretele trebuie să se sprijine pe opritorul de ghidare.	Piesa finită va fi pe partea stângă a pânzei.
	(d)	Muchia de contact cu peretele trebuie să se sprijine pe opritorul de ghidare.	

Exemplu:

În cazul tăierii cornișei tip 52/38° pentru poziția (a) din figura de mai sus:

- Înclinați și fixați setarea unghiului de înclinare la 33,9° DREAPTA.
- Reglați și fixați setarea unghiului de tăiere oblică la 31,6° DREAPTA.
- Plasați cornișa cu suprafața (ascunsă) posterioară lată pe talpa rotativă având MUCHIA DE CONTACT CU PERETELE sprijinită pe opritorul de ghidare al ferăstrăului.
- Piesa finită care va fi folosită va fi întotdeauna pe partea DREAPTĂ a pânzei de ferăstrău circular după efectuarea tăierii.

## Tăierea pieselor extrudate din aluminiu

- Fig.51: 1. Menghină 2. Bloc distanțier 3. Opritor de ghidare 4. Piesă extrudată din aluminiu 5. Bloc distanțier

Când fixați piese extrudate din aluminiu, folosiți blocuri distanțiere sau bucăți de deșeuri, după cum se vede în figură, pentru a preveni deformarea aluminiului. Folosiți un lubrifiant pentru tăiere atunci când tăiați piese extrudate din aluminiu pentru a preveni acumularea de material pe pânza de ferăstrău circular.

**AVERTIZARE:** Nu încercați niciodată să tăiați piese de aluminiu extrudat groase sau rotunde. Extruziunile groase sau rotunde din aluminiu pot fi dificil de fixat și piesele de prelucrat se pot desprinde în timpul operației de tăiere, rezultând pierderea controlului și accidentări grave.

## Tăierea nuturilor

**AVERTIZARE:** Nu încercați să efectuați acest tip de tăiere utilizând o pânză largă sau o pânză dado. Încercarea de a efectua o tăiere tip canelură cu o pânză largă sau o pânză dado poate duce la tăieri neașteptate, recul și accidentări grave.

**AVERTIZARE:** Asigurați-vă că readuceți brațul opritor în poziția inițială la efectuarea unei alte tăieri decât cea tip canelură. Încercarea de a efectua tăieri cu brațul opritor într-o poziție incorectă poate duce la rezultate neașteptate ale tăierii și la recul, rezultând accidentări grave.

Pentru o tăiere tip dado, urmați instrucțiunile de mai jos:

1. Reglați poziția limitei inferioare a pânzei de ferăstrău circular folosind șurubul de reglare și brațul opritor pentru a limita adâncimea de tăiere a pânzei de ferăstrău circular. Consultați secțiunea referitoare la brațul opritor.

2. După reglarea poziției limită inferioare a pânzei de ferăstrău circular, tăiați caneluri paralele transversal pe lățimea piesei, executând o tăiere prin glisare (împingere).

► Fig.52: 1. Nuturi tăiate cu pânza

3. Îndepărtați materialul piesei dintre nuturi cu o daltă.

## Transportarea mașinii

Înainte de transportarea mașinii, asigurați-vă că scoateți cartușul acumulatorului și că toate piesele mobile ale ferăstrăului pentru tăieri oblice sunt fixate. Verificați întotdeauna următoarele:

- dacă cartușul acumulatorului este scos.
- dacă sania se află la poziția unghiului de înclinație de 0° și este fixată.
- dacă sania este coborâtă și blocată.
- Sania este complet glisată la opritoare de ghidare și blocată.
- dacă talpa rotativă se află la poziția unghiului de tăiere oblică dreapta completă este fixată.
- Suporturile sunt depozitate și fixate.

Transportați mașina apucând-o de mâner sau de ambele laturi ale tălpii mașinii.

► Fig.53

► Fig.54

**AVERTIZARE:** Știftul opritor pentru ridicarea saniei este destinat exclusiv pentru transport și depozitare, și nu pentru operațiile de tăiere. Utilizarea știftului opritor pentru operații de tăiere poate cauza mișcarea neașteptată a pânzei de ferăstrău circular, ceea ce duce la recul și la vătămări corporale grave.

**ATENȚIE:** Fixați întotdeauna toate piesele mobile înainte de a transporta mașina. Dacă părți ale mașinii se mișcă sau glisează în timpul transportului, aceasta poate conduce la pierderea controlului sau a echilibrului, provocând vătămări corporale.

**ATENȚIE:** Asigurați-vă că ridicarea saniei este blocată corect pe suportul său cu ajutorul știftului opritor. Dacă știftul opritor nu este cuplat corect, sania poate sări brusc și poate provoca vătămări corporale.

## FUNCȚIA DE ACTIVARE WIRELESS

### Ce puteți face cu funcția de activare wireless

Funcția de activare wireless face posibilă o utilizare curată și confortabilă. Conectând un aspirator acceptat la mașină, puteți rula automat aspiratorul, împreună cu operația de comutare a mașinii.

► Fig.55

Pentru a utiliza funcția de activare wireless, pregătiți următoarele elemente:

- O unitate wireless (accesoriu opțional)
- Un aspirator care acceptă funcția de activare wireless

Prezentarea generală a setării funcției de activare wireless este după cum urmează. Consultați fiecare secțiune pentru proceduri detaliate.

1. Instalarea unității wireless
2. Înregistrarea mașinii pentru aspirator
3. Pornirea funcției de activare wireless

## Instalarea unității wireless

### Accesorii opționale

**ATENȚIE:** Așezați mașina pe o suprafață plană și stabilă atunci când instalați unitatea wireless.

**NOTĂ:** Curățați praful și murdăria de pe mașină înainte de a instala unitatea wireless. Praful sau murdăria poate cauza funcționarea defectuoasă dacă pătrunde în fanta unității wireless.

**NOTĂ:** Pentru a preveni funcționarea defectuoasă cauzată de energia statică, atingeți un material de descărcare statică, precum o parte din metal a mașinii, înainte de a ridica unitatea wireless.

**NOTĂ:** Atunci când instalați unitatea wireless, asigurați-vă întotdeauna de introducerea unității wireless în direcția corectă și de închiderea completă a clapetei de închidere.

1. Deschideți clapeta de închidere de pe mașină după cum se vede în figură.

► Fig.56: 1. Clapetă de închidere

2. Introduceți unitatea wireless în fantă și apoi închideți clapeta de închidere.

Atunci când introduceți unitatea wireless, aliniați proeminențele cu porțiunile înfundate de pe fantă.

► Fig.57: 1. Unitate wireless 2. Proeminență 3. Clapetă de închidere 4. Porțiune înfundată

Atunci când scoateți unitatea wireless, deschideți lent clapeta de închidere. Cârligele de pe partea din spate a clapetei de închidere ridică unitatea wireless pe măsură ce trageți în sus clapeta de închidere.

► Fig.58: 1. Unitate wireless 2. Cârlig 3. Clapetă de închidere

După ce scoateți unitatea wireless, păstrați-o în cutia furnizată sau într-un recipient fără electricitate statică.

**NOTĂ:** Utilizați întotdeauna cârligele de pe partea din spate a clapetei de închidere atunci când scoateți unitatea wireless. În cazul în care cârligele nu prind unitatea wireless, închideți complet clapeta de închidere și deschideți-o din nou lent.

## Înregistrarea mașinii pentru aspirator

**NOTĂ:** Pentru înregistrarea mașinii este necesar un aspirator Makita care acceptă funcția de activare wireless.

**NOTĂ:** Finalizați instalarea unității wireless la mașină înainte de a începe înregistrarea mașinii.

**NOTĂ:** Evitați activarea următoarelor butoane în timpul înregistrării:

- butonul declanșator al mașinii;
- butonul de aspirare al mașinii;
- butonul pornire/oprire de pe aspirator.

**NOTĂ:** Consultați de asemenea manualul de instrucțiuni al aspiratorului.

Dacă doriți să activați aspiratorul odată cu operația de comutare a mașinii, finalizați mai întâi înregistrarea mașinii.

1. Instalați acumulatorii la aspirator și la mașină.
  2. Setează comutatorul de stare de așteptare de pe aspirator pe „AUTO”.
- **Fig.59:** 1. Comutator de stare de așteptare
3. Apăsăți butonul de activare wireless de pe aspirator timp de 3 secunde până când lampa de activare wireless luminează intermitent cu verde. Apoi, apăsați butonul de activare wireless de pe mașină în același mod.

► **Fig.60:** 1. Buton de activare wireless 2. Lampă de activare wireless

Dacă aspiratorul și mașina sunt conectate cu succes, lămpile de activare wireless se vor aprinde cu verde timp de 2 secunde și vor începe să lumineze intermitent cu albastru.

**NOTĂ:** Lămpile de activare wireless încetează să lumineze intermitent cu verde după scurgerea a 20 de secunde. Apăsăți butonul de activare wireless de pe mașină în timp ce lampa de activare wireless de pe aparatul de curățat luminează intermitent. Dacă lampa de activare wireless nu luminează intermitent cu verde, apăsați scurt butonul de activare wireless și țineți-l din nou apăsat.

**NOTĂ:** Atunci când efectuați două sau mai multe înregistrări ale mașinii pentru un aspirator, finalizați pe rând fiecare înregistrare.

## Pornirea funcției de activare wireless

**NOTĂ:** Finalizați înregistrarea mașinii pentru aspirator înainte de activarea wireless.

**NOTĂ:** Consultați de asemenea manualul de instrucțiuni al aspiratorului.

După înregistrarea unei mașini la aspirator, aspiratorul va rula automat, împreună cu operația de comutare a mașinii. Apăsăți butonul declanșator al mașinii pentru ca aspiratorul să funcționeze în timpul operației. Aspiratorul începe să funcționeze și prin apăsarea butonului aspirator al mașinii în timpul oricărei operații de tăiere.

► **Fig.61**

1. Instalați unitatea wireless la mașină.
  2. Conectați furtunul aspiratorului cu mașina.
- **Fig.62**
3. Setează comutatorul de stare de așteptare de pe aspirator pe „AUTO”.
- **Fig.63:** 1. Comutator de stare de așteptare
4. Apăsăți scurt butonul de activare wireless de pe mașină. Lampa de activare wireless va lumina intermitent cu albastru.
- **Fig.64:** 1. Buton de activare wireless 2. Lampă de activare wireless

5. Trageți butonul declanșator al mașinii. Verificați dacă aspiratorul funcționează în timp ce se trage butonul declanșator.

6. Apăsăți butonul aspirator pentru ca aspiratorul să funcționeze. Verificați dacă lampa de activare wireless emite o lumină de culoare albastră, iar aspiratorul continuă să funcționeze până ce apăsați din nou butonul.

7. Pentru a înceta operația de aspirare, fie eliberați butonul declanșator, fie apăsați butonul aspirator din nou. Aspiratorul se oprește la câteva secunde după operația de comutare, iar apoi lampa începe să lumineze intermitent, emițând o lumină de culoare albastră.

**NOTĂ:** Starea de comutare (aprinderea/stingerea aspiratorului) poate fi aflată cu ajutorul lămpii de activare wireless. Pentru mai multe informații, consultați secțiunea privind descrierea stării lămpii de activare wireless.

8. Pentru a opri activarea wireless a aspiratorului, apăsați butonul de activare wireless de pe mașină.

**NOTĂ:** Lampa de activare wireless de pe mașină va înceta să lumineze intermitent cu albastru atunci când nu există funcționare timp de 2 ore. În acest caz, setați comutatorul de stare de așteptare de pe aspirator pe „AUTO” și apăsați din nou buton de activare wireless.

**NOTĂ:** Aspiratorul pornește/se oprește cu o amănare. Există o întârziere atunci când aspiratorul detectează o operație de comutare a mașinii.










**NOTĂ:** Distanța de transmisie a unității wireless poate varia în funcție de locație și circumstanțele aferente.

**NOTĂ:** Atunci când două sau mai multe mașini sunt înregistrate la un singur aspirator, acesta poate începe să funcționeze chiar dacă nu trageți butonul declanșator sau nu apăsați butonul aspirator, deoarece un alt utilizator folosește funcția de activare wireless.

## Descrierea stării lămpii de activare wireless

### ► Fig.65: 1. Lampă de activare wireless

Lampa de activare wireless indică starea funcției de activare wireless. Consultați tabelul de mai jos pentru semnificația stării lămpii.

Stare	Lampă de activare wireless			Durată	Descriere
	Culoare	 Pornit	 Iluminare intermitentă		
Standby	Albastru			2 ore	Activarea wireless a aspiratorului este disponibilă. Lampa se va stinge automat atunci când nu are loc nicio operație timp de 2 ore.
				Atunci când mașina este în funcțiune.	Activarea wireless a aspiratorului este disponibilă și mașina este în funcțiune.
Înregistrarea mașinii	Verde			20 secunde	Gata pentru înregistrarea mașinii. Se așteaptă înregistrarea de către aspirator.
				2 secunde	Înregistrarea mașinii a fost finalizată. Lampa de activare wireless va începe să lumineze intermitent cu albastru.
Anularea înregistrării mașinii	Roșu			20 secunde	Gata pentru anularea înregistrării mașinii. Se așteaptă anularea de către aspirator.
				2 secunde	Anularea înregistrării mașinii a fost finalizată. Lampa de activare wireless va începe să lumineze intermitent cu albastru.
Altele	Roșu			3 secunde	Unitatea wireless este alimentată cu energie și se lansează funcția de activare wireless.
	Oprit	-		-	Activarea wireless a aspiratorului este oprită.

## Anularea înregistrării mașinii pentru aspirator

Efectuați următoarea procedură atunci când anulați înregistrarea mașinii pentru aspirator.

1. Instalați acumulatorii la aspirator și la mașină.
2. Setări comutatorul de stare de așteptare de pe aspirator pe „AUTO”.

► Fig.66: 1. Comutator de stare de așteptare

3. Apăsăți butonul de activare wireless de pe aspirator timp de 6 secunde. Lampă de activare wireless luminează intermitent cu verde și apoi devine roșie. După aceasta, apăsați butonul de activare wireless de pe mașină în același mod.

► Fig.67: 1. Buton de activare wireless 2. Lampă de activare wireless

Dacă anularea este efectuată cu succes, lămpile de activare wireless se vor aprinde cu roșu timp de 2 secunde și vor începe să lumineze intermitent cu albastru.

**NOTĂ:** Lămpile de activare wireless încetează să lumineze intermitent cu roșu după scurgerea a 20 de secunde. Apăsăți butonul de activare wireless de pe mașină în timp ce lampa de activare wireless de pe aparatul de curățat luminează intermitent. Dacă lampa de activare wireless nu luminează intermitent cu roșu, apăsați scurt butonul de activare wireless și țineți-l din nou apăsat.



## Depanarea funcției de activare wireless

Înainte de a solicita reparații, efectuați mai întâi propria inspecție. În cazul în care găsiți o problemă care nu este explicată în manual, nu încercați să demontați echipamentul. În schimb, adresați-vă Centrelor de service autorizate Makita, utilizând întotdeauna piese de schimb Makita pentru reparații.

Stare de anormalitate	Cauză probabilă (defecțiune)	Remediu
Lampa de activare wireless nu se aprinde/nu luminează intermitent.	Unitatea wireless nu este instalată în mașină. Unitatea wireless este instalată necorespunzător în mașină.	Instalați corect unitatea wireless.
	Borna unității wireless și/sau fanta este murdară.	Ștergeți delicat praful și murdăria de pe borna unității wireless și curățați fanta.
	Butonul de activare wireless de pe mașină nu a fost apăsat.	Apăsați scurt butonul de activare wireless de pe mașină.
	Comutatorul de stare de așteptare de pe aspirator nu este setat pe „AUTO”.	Setați comutatorul de stare de așteptare de pe aspirator pe „AUTO”.
	Nicio sursă de alimentare	Alimentați cu energie mașina și aspiratorul.
Înregistrarea mașinii/anularea înregistrării mașinii nu poate fi finalizată cu succes.	Unitatea wireless nu este instalată în mașină. Unitatea wireless este instalată necorespunzător în mașină.	Instalați corect unitatea wireless.
	Borna unității wireless și/sau fanta este murdară.	Ștergeți delicat praful și murdăria de pe borna unității wireless și curățați fanta.
	Comutatorul de stare de așteptare de pe aspirator nu este setat pe „AUTO”.	Setați comutatorul de stare de așteptare de pe aspirator pe „AUTO”.
	Nicio sursă de alimentare	Alimentați cu energie mașina și aspiratorul.
	Funcționare incorectă	Apăsați scurt butonul de activare wireless și efectuați din nou procedurile de înregistrare/anulare.
	Mașina și aspiratorul se află la distanță unul de celălalt (în afara ariei de transmisie).	Aduceți mașina și aspiratorul mai aproape unul de celălalt. Distanța maximă de transmisie este de aproximativ 10 m, însă aceasta poate varia în funcție de circumstanțe.
	Înainte de încheierea înregistrării/anulării mașinii: - butonul declanșator al mașinii este tras sau; - butonul aspirator al mașinii este activat sau; - butonul de pornire/oprire al aspiratorului este activat.	Apăsați scurt butonul de activare wireless și efectuați din nou procedurile de înregistrare/anulare.
	Procedurile de înregistrare a mașinii pentru mașină sau aspirator nu au fost finalizate.	Efectuați procedurile de înregistrare a mașinii atât pentru mașină, cât și aspirator, în același timp.
	Perturbații radioelectrice de la alte aparate care generează unde radio de mare intensitate.	Țineți mașina și aspiratorul la distanță de aparate precum dispozitive Wi-Fi și cuptoare cu microunde.
	Aspiratorul nu funcționează odată cu operația de comutare a mașinii.	Unitatea wireless nu este instalată în mașină. Unitatea wireless este instalată necorespunzător în mașină.
Borna unității wireless și/sau fanta este murdară.		Ștergeți delicat praful și murdăria de pe borna unității wireless și curățați fanta.
Butonul de activare wireless de pe mașină nu a fost apăsat.		Apăsați scurt butonul de activare wireless și asigurați-vă că lampa de activare wireless luminează intermitent cu albastru.
Comutatorul de stare de așteptare de pe aspirator nu este setat pe „AUTO”.		Setați comutatorul de stare de așteptare de pe aspirator pe „AUTO”.
La aspirator sunt înregistrate mai mult de 10 mașini.		Efectuați din nou înregistrarea mașinii. Dacă la aspirator sunt înregistrate mai mult de 10 mașini, mașina înregistrată prima va fi anulată automat.
Aspiratorul nu a efectuat cu succes înregistrarea mașinilor.		Reluați procedura de înregistrare a mașinilor.
Aspiratorul a șters toate înregistrările mașinii.		Efectuați din nou înregistrarea mașinii.
Nicio sursă de alimentare		Alimentați cu energie mașina și aspiratorul.
Mașina și aspiratorul se află la distanță unul de celălalt (în afara ariei de transmisie).		Aduceți mașina și aspiratorul mai aproape unul de celălalt. Distanța maximă de transmisie este de aproximativ 10 m, însă aceasta poate varia în funcție de circumstanțe.
Perturbații radioelectrice de la alte aparate care generează unde radio de mare intensitate.		Țineți mașina și aspiratorul la distanță de aparate precum dispozitive Wi-Fi și cuptoare cu microunde.
Aspiratorul funcționează chiar dacă butoanele pentru mașină nu sunt activate.	Alți utilizatori folosesc activarea wireless a aspiratorului cu mașinile acestora.	Oprii butonul de activare wireless al celorlalte mașini sau anulați înregistrarea celorlalte mașini.

# ÎNȚREȚINERE

**⚠️ AVERTIZARE:** Asigurați-vă întotdeauna că mașina este oprită și cartușul acumulatorului scos înainte de a executa lucrările de inspectie și întreținere. Dacă nu ați scos cartușul acumulatorului și mașina nu este oprită, pot rezulta accidente grave în urma pornirii accidentale a mașinii.

**⚠️ AVERTIZARE:** Asigurați-vă întotdeauna că pânza de ferăstrău circular este ascuțită și curată pentru a obține performanțe optime în condiții de siguranță. Încercarea de tăiere cu o pânză neascuțită și/sau murdară poate cauza recul și accidente grave.

**NOTĂ:** Nu utilizați niciodată gazolină, benzină, diluant, alcool sau alte substanțe asemănătoare. În caz contrar, pot rezulta decolorări, deformări sau fisuri.

Pentru a menține SIGURANȚA și FIABILITATEA produsului, reparațiile și orice alte lucrări de întreținere sau reglare trebuie executate de centre de service Makita autorizate sau proprii, folosind întotdeauna piese de schimb Makita.

## Reglarea unghiului de tăiere

Această mașină este reglată și aliniată cu grijă din fabrică, însă manipularea dură poate afecta alinierea. Dacă mașina dumneavoastră nu este aliniată corespunzător, procedați după cum urmează:

### Unghi de tăiere oblică

Rotiți maneta în sens antiorar și pregătiți talpa pentru funcția de oprire pozitivă, folosind pârghia de eliberare. Apoi, slăbiți șuruburile care fixează indicatorul și scala pentru unghiul de tăiere oblică.

► **Fig.68:** 1. Manetă 2. Pârghie de eliberare 3. Șurub pe indicator 4. Șuruburi pe scala pentru unghi de tăiere oblică 5. Scală pentru unghi de tăiere oblică

Setați talpa rotativă în poziția de 0° utilizând funcția de oprire pozitivă. Orientați fața laterală a pânzei de ferăstrău circular perpendicular pe fața opritorului de ghidare folosind un echer sau un vinclu. În timp ce mențineți orientarea, strângeți șuruburile pe scala pentru unghi de tăiere oblică. După aceea, aliniați indicatorul la poziția de 0° pe scala pentru unghiul de tăiere oblică și apoi strângeți șurubul pe indicator.

► **Fig.69:** 1. Echer 2. Indicator

### Unghi de înclinație

#### Unghi de înclinație 0°

Împingeți sania spre opritoarele de ghidare și blocați mișcarea de glisare cu ajutorul știftului opritor. Coborâți complet sania și blocați-o în poziția coborâtă cu ajutorul știftului opritor. Rotiți discul manetei în sens antiorar, apoi rotiți bolțul de reglare la 0° prin două sau trei rotații în sens antiorar pentru a înclina pânza de ferăstrău circular spre dreapta.

► **Fig.70:** 1. Discul manetei 2. Bolț de reglare la 0° 3. Șurubul de pe indicator

Orientați cu grijă fața laterală a pânzei de ferăstrău circular perpendicular pe fața superioară a tălpii rotative folosind un echer, un vinclu etc. prin rotirea bolțului de reglare la 0° spre dreapta. Apoi, strângeți bine discul manetei pentru a fixa unghiul de 0° pe care l-ați setat.

► **Fig.71:** 1. Echer 2. Pânză de ferăstrău 3. Suprafața superioară a tălpii rotative

Verificați încă o dată dacă partea laterală a pânzei de ferăstrău circular este orientată perpendicular pe suprafața superioară a tălpii rotative. Slăbiți șurubul de pe indicator, apoi aliniați indicatorul cu poziția de 0° din scala pentru unghiul de înclinație, iar apoi strângeți șurubul.

#### Unghi de înclinație 45°

**NOTĂ:** Înainte de a regla unghiul de înclinație de 45°, finalizați reglajul unghiului de înclinație de 0°.

Slăbiți discul manetei și înclinați complet sania spre partea pe care doriți să o verificați. Verificați dacă indicatorul indică poziția de 45° în scala pentru unghiul de înclinație.

► **Fig.72:** 1. Discul manetei

Dacă indicatorul nu indică poziția de 45°, aliniați-l la poziția de 45° rotind bolțul de reglare la 45°.

► **Fig.73:** 1. Bolț de reglare la 45° dreapta 2. Bolț de reglare la 45° stânga

## Curățarea lentilei lămpii

**NOTĂ:** Nu scoateți șurubul care fixează lentila. Dacă lentila nu iese, slăbiți în continuare șurubul.

**NOTĂ:** Folosiți o lavetă uscată pentru a șterge murdăria de pe lentila lămpii. Aveți grijă să nu zgâriați lentila lămpii deoarece, în caz contrar, iluminarea va fi redusă.

**NOTĂ:** Nu folosiți solvenți sau agenți de curățare pe bază de petrol pentru a curăța lentila.

Lumina LED își pierde din intensitate pe măsură ce lentila pentru lumină se murdărește. Curățați periodic lentila.

Scoateți cartușul acumulatorului. Slăbiți șurubul și trageți lentila afară. Curățați lentila cu grijă, folosind o lavetă moale umedă.

► **Fig.74:** 1. Șurub 2. Lentilă

## După utilizare

După utilizare, ștergeți așchile și praful depuse pe mașină cu o lavetă sau un material similar. Mențineți apărată pânza curată conform indicațiilor menționate anterior în secțiunea referitoare la apărată pânzei. Lubrifiați piesele glisante cu ulei de mașină pentru a preveni oxidarea.

## ACCESORII OPȚIONALE

**⚠️ AVERTIZARE:** Aceste accesorii și componente atașate Makita sunt recomandate pentru utilizare împreună cu mașina Makita specificată în acest manual. Utilizarea altor accesorii sau componente atașate poate duce la accidentări grave.

**⚠️ AVERTIZARE:** Utilizați accesoriile și componentele atașate Makita doar în scopul destinat. Utilizarea necorespunzătoare a accesoriilor sau componentelor atașate poate duce la accidentări grave.

Dacă aveți nevoie de asistență sau de mai multe detalii referitoare la aceste accesorii, adresați-vă centrului local de service Makita.

- Pânze de ferăstrău cu plăcuțe de carburi metalice
- Menghină verticală
- Menghină orizontală
- Sac de praf
- Echer
- Cheie imbus
- Unitate wireless
- Ansamblele stativului
- Acumulator și încărcător original Makita

**NOTĂ:** Unele articole din listă pot fi incluse ca accesorii standard în ambalajul de scule. Acestea pot diferi în funcție de țară.

## ТЕХНІЧНІ ХАРАКТЕРИСТИКИ

Модель:	LS002G
Діаметр диска	216 мм
Діаметр отвору (провідного валу) (залежить від країни)	15,88 мм / 25,4 мм / 30 мм
Макс. товщина пропилу диска пили	2,4 мм
Макс. косий кут	Лівий 60°, правий 60°
Макс. кут нахилу	Лівий 48°, правий 48°
Швидкість без навантаження	4 800 хв <sup>-1</sup>
Розміри (Д x Ш x В)	702 мм x 551 мм x 557 мм
Номінальна напруга	36–40 В пост. струму макс.
Чиста вага	16,4—17,0 кг

- Оскільки наша програма наукових досліджень і розробок триває безперервно, наведені тут технічні характеристики можуть бути змінені без попередження.
- У різних країнах технічні характеристики можуть бути різними.
- Вага може відрізнятись залежно від допоміжного обладнання, наприклад касети з акумулятором. Найлегші та найважчі комплекти, відповідно до стандарту ЕРТА (Європейська асоціація виробників електродвигунів) від січня 01/2014 року, представлено в таблиці.

### Застосовна касета з акумулятором і зарядний пристрій

Касета з акумулятором	BL4025 / BL4040
Зарядний пристрій	DC40RA

- Деякі касети з акумулятором і зарядні пристрої, які вказано вище, можуть бути недоступними залежно від вашого регіону або місця перебування.

**▲ ПОПЕРЕДЖЕННЯ:** Використовуйте лише касети з акумулятором і зарядні пристрої, зазначені вище. Використання будь-яких інших касет з акумулятором і зарядних пристроїв може призвести до травмування й/або пожежі.

### Ріжуча спроможність (В x Ш) з діаметром диска 216 мм

Косий кут	Кут нахилу		
	45° (лівий)	0°	45° (правий)
0°	50 мм × 312 мм	70 мм × 312 мм	30 мм × 312 мм
45° (лівий та правий)	50 мм × 220 мм	70 мм × 220 мм	30 мм × 220 мм
60° (уліво та право)	–	70 мм × 155 мм	–

### СИМВОЛИ

Далі наведено символи, які можуть застосовуватися для позначення обладнання. Перед користуванням переконайтеся, що ви розумієте їхнє значення.



Читайте інструкцію з експлуатації.



Для того щоб запобігти пораненню внаслідок розлітання сміття, після різання слід притиснути голівку пили, доки диск повністю не зупиниться.



При виконанні пересувного різання спочатку потягніть каретку до упору та натисніть на ручку, потім пересуньте каретку до прямої планки.



Під час виконання різання з кутом нахилу спочатку відпустіть регулятор на рукоятці й нахиліть каретку під необхідним кутом, після чого затягніть регулятор на рукоятці.



У разі нахилу диска за межі діапазону 0°–45° поверніть важіль розблокування для кута нахилу 48° за годинниковою стрілкою.



Тримайте руки або пальці на відстані від диска.



Вдягайте захисні окуляри.



Не дивіться на лампу, що працює.



Тільки для країн ЄС  
Не викидайте електроприлади або акумуляторні батареї разом із побутовим сміттям!  
Згідно з Європейськими директивами про утилізацію електричного та електронного обладнання та про утилізацію батарей і акумуляторів, а також батарей та акумуляторів, термін служби яких закінчився, та їх використанням із дотриманням національних законів, електричне обладнання, батареї та акумулятори, термін служби яких закінчився, потрібно збирати окремо та відправляти на екологічно чисті підприємства з їхньої переробки.

## Призначення

Інструмент призначено для точного різання деревини за прямою лінією та під кутом.  
Пилу можна застосовувати тільки для різання деревини, алюмінію або подібних матеріалів.

## Шум

Рівень шуму за шкалою А в типовому виконанні, визначений відповідно до стандарту EN62841-3-9:  
Рівень звукового тиску ( $L_{pA}$ ): 89 дБ (А)  
Рівень звукової потужності ( $L_{WA}$ ): 100 дБ (А)  
Похибка (К): 3 дБ (А)

**ПРИМІТКА:** Заявлене значення шуму було виміряно відповідно до стандартних методів тестування й може використовуватися для порівняння одного інструмента з іншим.

**ПРИМІТКА:** Заявлене значення шуму може також використовуватися для попереднього оцінювання впливу.

**⚠ ПОПЕРЕДЖЕННЯ:** Користуйтеся засобами захисту органів слуху.

**⚠ ПОПЕРЕДЖЕННЯ:** Залежно від умов використання рівень шуму під час фактичної роботи електроінструмента може відрізнятися від заявленого значення вібрації; особливо сильно на це впливає тип деталі, що оброблюється.

**⚠ ПОПЕРЕДЖЕННЯ:** Забезпечте належні запобіжні заходи для захисту оператора, що відповідатимуть умовам використання інструмента (слід брати до уваги всі складові робочого циклу, як-от час, коли інструмент вимкнено та коли він починає працювати на холостому ході під час запуску).

## Декларація про відповідність стандартам ЄС

Тільки для країн Європи

Декларацію про відповідність стандартам ЄС наведено в Додатку А до цієї інструкції з експлуатації.

# ПОПЕРЕДЖЕННЯ ПРО ДОТРИМАННЯ ТЕХНІКИ БЕЗПЕКИ

## Загальні застереження щодо техніки безпеки при роботі з електроінструментами

**⚠ ПОПЕРЕДЖЕННЯ:** Уважно ознайомтеся з усіма попередженнями про дотримання правил техніки безпеки, інструкціями, ілюстраціями та технічними характеристиками, що стосуються цього електроінструмента. Невиконання будь-яких інструкцій, перелічених нижче, може призвести до ураження електричним струмом, пожежі та/або тяжких травм.

## Збережіть усі інструкції з техніки безпеки та експлуатації на майбутнє.

Термін «електроінструмент», зазначений у інструкції з техніки безпеки, стосується електроінструмента, який функціонує від електромережі (електроінструмент з кабелем живлення), або електроінструмента з живленням від батареї (безпроводний електроінструмент).

## Інструкції з техніки безпеки для пил для різання під кутом

1. Пили для різання під кутом призначені для різання деревини або подібних до деревини матеріалів. Їх не можна використовувати з абразивними відрізними кругами для різання виробів із чорного металу, наприклад арматури, стрижнів, шпильок тощо. Абразивний порошок призводить до застрягання рухомих частин, наприклад нижнього кожуха. Від іскор, що утворюються під час абразивного різання, може загорітися нижній кожух, вставка для пропилу та інші пластмасові частини.
2. За можливості використовуйте затискачі для утримання оброблюваної деталі. Якщо ви тримаєте деталь рукою, завжди тримайте руку на відстані щонайменше 100 мм від кожної сторони диска пили. Не використовуйте цю пилу для різання деталей, занадто маленьких для безпечного затискування чи утримання рукою. Якщо рука знаходиться занадто близько до диска пили, зростає ризик травмування від контакту з диском.
3. Оброблювана деталь повинна бути зафіксована та затиснута, або її треба тримати напроти тримача й напроти стола. Ні в якому разі не підводьте оброблювану деталь до диска та не виконуйте різання від руки. Незатиснуті чи рухомі оброблювані деталі може відкинути на високій швидкості, що призведе до травм.

4. **Протискуйте пилу крізь оброблювану деталь. Не тягніть пилу крізь оброблювану деталь. Щоб зробити розріз, підніміть головку пили та проведіть нею над оброблюваною деталлю, не розрізаючи її, запустіть двигун, опустіть головку пили та протисніть пилу крізь оброблювану деталь.** Різання одним рухом може призвести до виходу диска пили на верхню частину оброблюваної деталі та до вильоту комплекту дисків у бік оператора.
5. **Ніколи не кладіть руки упоперек наміченої лінії різання ані попереду, ані позаду диска пили.** Утримування оброблюваної деталі «навхрест» (наприклад, утримування деталі праворуч від диска пили лівою рукою або навпаки) дуже небезпечно.
  - **Рис.1**
6. **Не тримайте руки за тримачем ближче ніж на 100 мм від кожної сторони диска пили, щоб видалити відходи деревини, чи з будь-якою іншою метою, поки диск обертається.** Відстань від диска пили, коли він обертається, до рук може бути не чітко видно, і ви можете серйозно травмуватися.
7. **Огляньте оброблювану деталь перед різанням. Якщо вона викривлена чи пошкоблена, затисніть її так, щоб викривлена поверхня була спрямована до тримача. Зажди слідкуйте, щоб між оброблюваною деталлю, тримачем та столом вздовж лінії різання не було проміжків.** Зігнуті чи пошкоблені деталі можуть повертатися чи зміщуватися, що може призвести до заїдання диска пили, що обертається, під час різання. На оброблюваній деталі не повинно бути цвяхів чи сторонніх предметів.
8. **Не починайте роботу, доки не очистите стіл від усіх інструментів, відходів деревини тощо, крім оброблюваної деталі.** Дрібне сміття, окремі шматки деревини чи інші предмети в разі контакту з диском, що обертається, може відкинути на великій швидкості.
9. **Ріжте лише одну деталь за раз.** Кілька складених деталей не можна затиснути чи втримати належним чином. Це може призвести до заїдання диска чи до зміщення деталей під час різання.
10. **Перед використанням переконайтеся, що пила закріплена чи поставлена на плоску стійку робочу поверхню.** Плоска та стійка робоча поверхня зменшує ризик втрати пилової рівноваги.
11. **Сплануйте роботу. Кожного разу, коли ви змінюєте кут нахилу чи кут різання, слідкуйте, щоб тримач, що регулюється, був налаштований належним чином для утримування оброблюваної деталі та не заважав диску чи захисній системі.** Не вмикайте інструмент, без оброблюваної деталі на столі зробіть уявний розріз, щоб переконатися, що під час різання не виникне перешкод чи небезпеки.
12. **Забезпечте надійну опору (наприклад, подовжувачі стола, козли для пиляння) для деталей, ширших чи довших, ніж поверхня стола.** Якщо оброблювані деталі, ширші чи довші, ніж поверхня стола для пили, не закріплені, вони можуть перекидатися. Якщо відрізаний шматок чи оброблювана деталь перекинеться, може зміститися нижній кожух чи їх може відкинути диском, що обертається.
13. **Використовуйте лише подовжувач стола чи додаткову опору — не допускайте, щоб інша людина утримувала оброблювану деталь.** Нестійка опора для оброблюваної деталі може призвести до заїдання диска чи до зміщення деталі під час різання, потягнувши вас та помічника до диска, що обертається.
14. **Не допускайте, щоб відрізаний шматок застряг чи притиснувся до диска пили, що обертається.** У стисненому положенні, наприклад за використання лінійки з упором, відрізаний шматок може заклинитися та відкинути на високій швидкості.
15. **Завжди використовуйте затискач чи фіксатор, що призначений для утримування деталей круглої форми, наприклад стрижнів та труб.** Стрижні можуть обертатися під час різання, і диск може зачепити та потягнути деталь із рук до диска.
16. **Перш ніж починати різати, зачекайте, доки диск не досягне повної швидкості.** Це зменшить ризик відкидання оброблюваної деталі.
17. **Якщо робоча деталь або диск застрягли, вимкніть пилу.** Зачекайте, доки всі частини пили зупиняться, потім від'єднайте штепсель від джерела струму та/або вийміть акумулятор. Потім звільніть застряглі деталі. Різання застряглої деталі може призвести до втрати контролю чи до пошкодження пили.
18. **Після закінчення різання відпустіть вмикач, опустіть головку пили донизу та зачекайте, доки диск зупиниться, перш ніж знімати відрізаний шматок.** Тримати руки біля диска, що рухається за інерцією, небезпечно.
19. **Якщо ви виконуєте неповне різання чи відпускаєте вмикач до того, як повністю опустите головку пили, міцно тримайтеся за ручку.** Гальмова дія пили може спричинити різке опускання головки пили, що викличе ризик травмування.
20. **Використовуйте тільки ріжучий диск, що має діаметр, зазначений на інструменті або вказаний в інструкції з експлуатації.** Використання диска невідповідного розміру може завдати належному його захисту або функціонуванню захисного кожуха, що може призвести до серйозних травм.
21. **Використовуйте тільки такі диски пили, на яких указана швидкість дорівнює швидкості, зазначеній на інструменті, або є більшою за неї.**
22. **Пилу можна застосовувати тільки для різання деревини, алюмінію або подібних матеріалів.**
23. **(Тільки для країн Європи.) Завжди використовуйте диск, що відповідає стандарту EN847-1.**

## Додаткові інструкції

1. Використовуйте замки для захисту набору для роботи.
2. Ніколи не ставайте на інструмент. Перекидання інструмента чи ненавмисний контакт із різальним інструментом може призвести до серйозних травм.
3. Ніколи не залишайте працюючий інструмент без догляду. Вимкніть живлення. Заборонено залишати інструмент до його повної зупинки.
4. Не слід експлуатувати пилу, якщо захисний кожух не встановлено в робочому положенні. Щоразу перед початком роботи слід перевіряти належне закриття захисного кожуха. Не слід починати роботу, якщо захисний кожух диска не рухається вільно та одразу не закривається. Ніколи не слід затискувати або блокувати захисний кожух диска у відкритому положенні.
5. Не торкайтеся руками доріжки диска пили. Не слід торкатися диска, що рухається за інерцією. Він усе ще може завдати серйозних травм.
6. Щоб зменшити ризик травмування, повертайте каретку в заднє положення після кожного перерізу.
7. Перед перенесенням інструмента обов'язково закріплюйте всі рухомі деталі.
8. Стопорний штифт або стопорний важіль, який блокує головку пили в нижньому положенні, призначений тільки для транспортування та зберігання, а не для різання.
9. Перед початком роботи ретельно перевірте диск на наявність тріщин або пошкоджень. У разі виявлення тріщин або пошкоджень негайно замініть диск. Деревний пек та смола, застигли на полотнах, сповільнюють пилу та збільшують ризик віддачі. Підтримуйте чистоту полотна. Для цього зніміть його з інструмента, а потім очистьте за допомогою засобу для видалення смоли, гарячої води або гасу. Ніколи не використовуйте бензин для очищення диска.
10. Під час пересувного різання можлива **ВІДДАЧА**. **ВІДДАЧА** відбувається, якщо диск затиснуло в оброблюваній деталі під час різання й він різко відскакує в напрямку до оператора. Це може призвести до втрати контролю та до серйозних травм. Якщо диск починає застрягати під час різання, не продовжуйте роботу, негайно відпустіть вмикач.
11. Використовуйте тільки фланці, призначені для цього інструмента.
12. Будьте обережними, щоб не пошкодити провідний вал, фланці (особливо поверхню встановлення) або болт. Пошкодження цих частин може призвести до поломки диска.
13. Поворотна основа повинна бути надійно закріплена, щоб не рухалась під час роботи. Використовуйте отвори в основі, щоб прикріпити пилу до стійкої робочої поверхні чи верстата. **НІКОЛИ** не використовуйте інструмент, якщо знаходитесь у незручному положенні.

14. Перед увімкненням перевірте, щоб замок вала було відпущено.
15. Диск не повинен торкатися поворотної основи в найнижчому положенні.
16. Слід міцно триматися за ручку. Пам'ятайте, що пила мимовільно пересувається вгору та вниз під час пуску та зупинки.
17. Не допускайте контакту леза з робочою деталлю до увімкнення інструмента.
18. Перед початком різання деталі запустіть інструмент та дайте йому попрацювати деякий час на холостому ході. Звертайте увагу на вібрацію або нерівний хід: це може вказувати на неправильне встановлення або незадовільне балансування леза.
19. Негайно зупиніть інструмент, якщо помітите відхилення в його роботі.
20. Не слід блокувати вмикач у увімкненому положенні.
21. Завжди використовуйте приладдя, рекомендоване в цій інструкції. Використання неналежного приладдя, наприклад абразивних кругів, може спричинити травму.
22. Деякі матеріали містять токсичні хімічні речовини. Будьте обережні, щоб уникнути вдихання пилу та його контакту зі шкірою. Дотримуйтеся правил техніки безпеки, передбачених виробником матеріалу.
23. Не використовуйте дротове джерело живлення із цим інструментом.

Додаткові правила техніки безпеки стосовно лампи, що працює

1. Не дивіться на світло або безпосередньо на джерело світла.

## ЗБЕРІГАЙТЕ ЦІ ВКАЗІВКИ.

**▲ ПОПЕРЕДЖЕННЯ:** **НІКОЛИ** НЕ втрачайте пильності та не розслабляйтеся під час користування виробом (що можливо при частому користуванні); обов'язково строго дотримуйтеся відповідних правил безпеки. **НЕНАЛЕЖНЕ ВИКОРИСТАННЯ** або недотримання правил безпеки, викладених у цій інструкції з експлуатації, може призвести до серйозних травм.

## Важливі інструкції з безпеки для касети з акумулятором

1. Перед тим як користуватися касетою з акумулятором, слід прочитати всі інструкції та застережні знаки щодо (1) зарядного пристрою акумулятора, (2) акумулятора та (3) виробів, що працюють від акумулятора.
2. Не розбирайте касету з акумулятором і не змінюйте її конструкцію. Це може призвести до пожежі, перегріву або вибуху.
3. Якщо період роботи дуже покоротшав, слід негайно припинити користування. Це може призвести до виникнення ризику перегріву, опіку та навіть вибуху.
4. У разі потрапляння електrolіту в очі слід промити їх чистою водою та негайно звернутися до лікаря. Це може призвести до втрати зору.

5. Не закоротіть касету з акумулятором.
  - (1) Не слід торкатися клем будь яким струмopровідним матеріалом.
  - (2) Не слід зберігати касету з акумулятором у ємності з іншими металевими предметами, такими як цвяхи, монети тощо.
  - (3) Не залишайте касету з акумулятором під дощем, запобігайте контакту з водою.

Коротке замикання може призвести до появи значного струму, перегріву, можливих опіків та навіть виходу з ладу.

6. Не слід зберігати й використовувати інструмент і касету з акумулятором у місцях, де температура може сягнути чи перевищити 50 °C (122 °F).
7. Не слід спалювати касету з акумулятором, навіть якщо вона була неодноразово пошкоджена або повністю спрацьована. Касета з акумулятором може вибухнути у вогні.
8. Заборонено забивати цвяхи в касету з акумулятором, різати, ламати, кидати, впускати касету з акумулятором або вдаряти її твердим предметом. Це може призвести до пожежі, перегріву або вибуху.
9. Не слід використовувати пошкоджений акумулятор.
10. Літій-іонні акумулятори, що містяться в інструменті, мають відповідати вимогам законів про небезпечні товари. Під час транспортування за допомогою комерційних перевезень, наприклад із залученням третьої сторони та експедиторів, необхідно дотримуватись особливих вимог, вказаних на пакуванні й у маркуванні. Під час підготування позиції до відправлення необхідно проконсультуватись зі спеціалістом з небезпечних матеріалів. Крім того, слід виконувати більш докладні національні настанови, якщо такі є. Заклейте відкриті контакти стрічкою або заховайте їх і запакуйте акумулятор таким чином, щоб він не міг рухатися в пакуванні.
11. Для утилізації касети з акумулятором витягніть її з інструмента та утилізуйте безпечним способом. Дотримуйтеся норм місцевого законодавства щодо утилізації акумуляторів.
12. Використовуйте акумулятори лише з виробами, указаними компанією Makita. Установлення акумуляторів у невідповідні виробы може призвести до пожежі, надмірного нагрівання, вибуху чи витоку електроліту.
13. Якщо інструментом не користуватимуться протягом тривалого періоду часу, вийміть акумулятор з інструмента.
14. Під час і після використання касета з акумулятором може нагріватись, що може стати причиною опіків або низькотемпературних опіків. Будьте обережні під час поводження з гарячою касетою з акумулятором.
15. Не торкайтеся контактів інструмента відразу після використання, оскільки він може бути досить гарячим, щоб викликати опіки.

16. Не допускайте, щоб уламки, пил або земля прилипали до контактів, отворів і пазів на касеті з акумулятором. Це може привести до зниження експлуатаційних параметрів, поломки інструмента або касети з акумулятором.
17. Якщо інструмент не розраховано на використання поблизу високовольтних ліній електропередач, не використовуйте касету з акумулятором поблизу високовольтних ліній електропередач. Це може призвести до несправності, поломки інструмента або касети з акумулятором.
18. Тримайте акумулятор у недоступному для дітей місці.

## ЗБЕРІГАЙТЕ ЦІ ВКАЗІВКИ.

**▲ОБЕРЕЖНО:** Використовуйте тільки акумулятори Makita. Використання акумуляторів, інших ніж оригінальні акумулятори Makita, або акумуляторів, конструкцію яких було змінено, може призвести до вибуху акумулятора і спричинити пожежу, травму або пошкодження. У зв'язку з цим також буде анульовано гарантію Makita на інструмент Makita і на зарядний пристрій.

## Поради з забезпечення максимального строку експлуатації акумулятора

1. Касету з акумулятором слід заряджати до того, як він розрядиться повністю. Завжди слід зупиняти роботу інструмента та зарядити акумулятор, якщо ви помітили зменшення потужності інструмента.
2. Ніколи не слід заряджати повторно повністю заряджену касету з акумулятором. Перезарядження скорочує строк експлуатації акумулятора.
3. Заряджайте касету з акумулятором при кімнатній температурі 10°C - 40°C (50°F - 104°F). Перед тим як заряджати касету з акумулятором, слід зачекати, доки вона охолоне.
4. Коли касета з акумулятором не використовується, виймайте її з інструмента або зарядного пристрою.
5. Якщо касета з акумулятором не використовувалася тривалий час (понад шість місяців), її слід зарядити.

## Важливі інструкції з безпеки для бездротового модуля

1. Не розбирайте бездротовий модуль і не намагайтесь втручатися в його роботу.
2. Зберігайте бездротовий модуль у недоступному для дітей місці. При випадковому проковтуванні негайно зверніться до лікаря.
3. Використовуйте бездротовий модуль лише з інструментами Makita.
4. Не тримайте бездротовий модуль під дощем або в умовах підвищеної вологості.
5. Не використовуйте бездротовий модуль у місцях, де температура перевищує 50°C.



6. Не використовуйте бездротовий модуль неподалік від медичних приборів, таких як кардіостимулятори.
7. Не використовуйте бездротовий модуль поруч з автоматизованими пристроями. Таке використання може спричинити збої або помилки в роботі автоматизованих пристроїв.
8. Не використовуйте бездротовий модуль у місцях, де він може піддаватися впливу високої температури, статичної електрики або електричних перешкод.
9. Бездротовий модуль може генерувати електромагнітні поля (ЕМП), нешкідливі для користувача.
10. Бездротовий модуль є точним інструментом. Будьте уважні, щоб не впустити або не вдарити бездротовий модуль.
11. Не торкайтеся контактів бездротового модуля голими руками або металевими предметами.
12. Перш ніж установлювати бездротовий модуль, обов'язково вийміть акумулятор.
13. Не відкривайте кришку відсіку в місцях, де в нього може потрапити пил або вода. Завжди тримайте вхідний отвір відсіку в чистоті.
14. Завжди вставляйте бездротовий модуль правильною стороною.
15. Не натискайте занадто сильно кнопку активації на бездротовому модулі та не робіть це гострим предметом.
16. Під час роботи завжди закривайте кришку відсіку.
17. Не виймайте бездротовий модуль із відсіку, поки на інструмент подається живлення. Це може призвести до несправності бездротового модуля.
18. Не видаляйте наклейку на бездротовому модулі.
19. Не розміщуйте будь-які наклейки на бездротовому модулі.
20. Не залишайте бездротовий модуль під впливом статичної електрики або електричних перешкод.
21. Не залишайте бездротовий модуль під впливом високої температури, наприклад на сидінні автомобіля на сонці.
22. Не залишайте бездротовий модуль у запиленому або запарошеному місці або в місці, де може утворитися корозійний газ.
23. Раптова зміна температури може призвести до конденсації вологи на бездротовому модулі. Не використовуйте бездротовий модуль, поки волога не висохне повністю.
24. Під час чищення бездротового модуля обережно протирайте його сухою м'якою тканиною. Не використовуйте бензин, розчинник, електропровідне мастило тощо.
25. Зберігайте бездротовий модуль в упаковці з комплекту постачання або в контейнері, захищеному від дії статичної електрики.
26. Не вставляйте у відсік інструмента будь-які інші пристрої, крім бездротового модуля Makita.
27. Не використовуйте інструмент із пошкодженою кришкою відсіку. Потраплення у відсік води, пилу та бруду може привести до несправності.
28. Не тягніть і не скручуйте кришку відсіку більше, ніж необхідно. Установіть кришку на місце, якщо вона від'єдналася від інструмента.
29. Замініть кришку відсіку, якщо її було загублено або пошкоджено.

## ЗБЕРІГАЙТЕ ЦІ ВКАЗІВКИ.

## ОПИС ДЕТАЛЕЙ

### ► Рис.2

1	Шестигранний ключ	2	Болт регулювання (максимальних розмірів деталі, що розрізається)	3	Гвинт регулювання (нижнього граничного положення)	4	Стопорне плече
5	Кнопка бездротової активації	6	Індикатор бездротової активації	7	Кнопка пилососа	8	Кнопка лампи
9	Захисний кожух диска	10	Щиток із пропилом	11	Рукоятка (поворотної основи)	12	Регулятор на рукоятці (кута нахилу)
13	Важіль розблокування (поворотної основи)	14	Болт регулювання (поворотної основи)	15	Напрямні планки	16	Показчик (косого кута)
17	Шкала косого кута	18	Поворотна основа	19	Додаткова основа	20	Вертикальний затиск
21	Важіль розблокування (правого кута нахилу)	22	Болт регулювання 45° (правого кута нахилу)	23	Болт регулювання 0° (кута нахилу)	24	Напрямна для пилу
25	Шкала для правого кута нахилу	26	Показчик (правого кута нахилу)	27	Стопорний штифт (для пересування каретки)	28	Пересувна рейка
29	Кришка (для бездротового модуля)	-	-	-	-	-	-

► Рис.3

1	Отвір для замка	2	Курок вмикача	3	Кнопка блокування у вимкненому положенні	4	Ручка для перенесення
5	Касета з акумулятором	6	Шланг для пиловидалення	7	Шкала лівого кута нахилу	8	Показчик (лівого кута нахилу)
9	Важіль розблокування (кута нахилу 48°)	10	Болт регулювання 45° (лівого кута нахилу)	11	Замок вала	12	Мішок для пилу (коли замінено на шланг для пиловидалення)

## ВСТАНОВЛЕННЯ

### Встановлення на верстат

**▲ПОПЕРЕДЖЕННЯ:** Перевіряйте, щоб інструмент не рухався на опорній поверхні. Якщо пила для різання під кутом рухається на опорній поверхні під час різання, це може призвести до втрати контролю та серйозних травм.

1. Закріпіть основу на рівній і стійкій поверхні за допомогою болтів. Це допоможе уникнути перекидання й можливих травм.

► Рис.4: 1. Болт 2. Монтажний отвір

2. Для утримання стійкості інструмента поверніть болт регулювання за стрілкою годинника або проти стрілки годинника так, щоб він торкнувся поверхні підлоги.

► Рис.5: 1. Болт регулювання

### Установлення шланга для пиловидалення

Приєднайте шланг для пиловидалення до інструмента, як показано на рисунку.

Переконайтеся, що коліно та муфту належним чином вставлено в отвори на інструменті.

► Рис.6: 1. Шланг для пиловидалення 2. Коліно 3. Муфта 4. Отвір

Щоб вийняти коліно зі з'єднання, натисніть на коліно, одночасно натиснувши й утримуючи кнопку блокування.

Щоб витягти муфту з отвору, поверніть її за годинниковою стрілкою й роз'єднайте її.

► Рис.7: 1. Коліно 2. Кнопка блокування 3. Муфта 4. Отвір

## ОПИС РОБОТИ

**▲ПОПЕРЕДЖЕННЯ:** Перед тим як регулювати інструмент або перевірити його функціональність, переконайтеся, що інструмент вимкнено й знято касету з акумулятором. Якщо інструмент не вимкнути та не зняти касету з акумулятором, це може призвести до серйозних травм внаслідок випадкового запуску інструмента.

### Встановлення та зняття касети з акумулятором

**▲ОБЕРЕЖНО:** Завжди вимикайте інструмент перед встановленням або зняттям касети з акумулятором.

**▲ОБЕРЕЖНО:** Під час встановлення або зняття касети з акумулятором слід міцно тримати інструмент та касету з акумулятором. Якщо ви утримуватимете інструмент та касету з акумулятором недостатньо міцно, вони можуть вислизнути з рук, що може призвести до пошкодження інструмента та касети з акумулятором або може спричинити травми.

► Рис.8: 1. Червоний індикатор 2. Кнопка 3. Касета з акумулятором

Щоб зняти касету з акумулятором, слід витягнути її з інструмента, натиснувши на кнопку в передній частині касети.

Щоб установити касету з акумулятором, слід сумістити виступ на касеті з акумулятором із пазом у корпусі та вставити касету на місце. Її необхідно вставити повністю, аж доки не почуєте клацання. Якщо на верхній частині кнопки помітний червоний індикатор, це означає, що касета з акумулятором установлена не до кінця.

**▲ОБЕРЕЖНО:** Завжди вставляйте касету з акумулятором повністю, щоб червоного індикатора не було видно. Якщо цього не зробити, касета може випадково випасти з інструмента та завдати травми вам або людям, що знаходяться поряд.

**▲ОБЕРЕЖНО:** Не встановлюйте касету з акумулятором із зусиллям. Якщо касета не вставляється легко, то це означає, що ви її неправильно вставляєте.

## Система захисту інструмента/акумулятора

Інструмент оснащено системою захисту інструмента/акумулятора. Ця система автоматично вимикає живлення двигуна з метою збільшення терміну служби інструмента та акумулятора. Інструмент автоматично зупиняється під час роботи, якщо інструмент або акумулятор перебувають у зазначених нижче умовах.

### Захист від перевантаження

Якщо під час використання інструмента/акумулятора споживається забагато струму, інструмент автоматично зупиняється. У такому випадку вимкніть інструмент і припиніть роботу, під час виконання якої сталося перевантаження інструмента. Щоб перезапустити інструмент, увімкніть його знову.

### Захист від перегрівання

Коли інструмент/акумулятор перегріється, інструмент зупиниться автоматично. У такому разі дозвольте інструменту/акумулятору охолонути, перш ніж знову увімкнути інструмент.














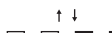


### Захист від надмірного розрядження

Коли заряд акумулятора стає замалим, інструмент автоматично зупиняється. Якщо інструмент не працює, навіть коли задіяні вмикачі, необхідно витягнути з інструмента акумулятори та зарядити їх.

## Відображення залишкового заряду акумулятора

Натисніть кнопку перевірки на касеті з акумулятором для відображення залишкового ресурсу акумулятора. Індикаторні лампи загоряться на кілька секунд.

► **Рис.9:** 1. Індикаторні лампи 2. Кнопка перевірки

Індикаторні лампи			Залишковий ресурс
 Горить	 Вимк.	 Блимає	
			від 75 до 100%
			від 50 до 75%
			від 25 до 50%
			від 0 до 25%
			Зарядіть акумулятор.
 	 		Можливо, акумулятор вийшов з ладу.

**ПРИМІТКА:** Залежно від умов використання та температури оточуючого середовища показання можуть незначним чином відрізнятися від дійсного ресурсу.

**ПРИМІТКА:** Перша (дальня ліва) індикаторна лампа блимає під час роботи захисної системи акумулятора.

## Блокування ручки

**⚠ОБЕРЕЖНО:** Завжди притримуйте ручку, коли виймаєте стопорний штифт. Інакше ручка різко підстрибне, що може призвести до отримання травм.

Під час транспортування інструмента ручка блокується в нижньому положенні стопорним штифтом. Щоб розблокувати ручку, потягніть стопорний штифт і поверніть його на 90°, злегка опустивши ручку.

- **Рис.10:**
1. Заблоковане положення
  2. Розблоковане положення
  3. Стопорний штифт

## Засув

Потягніть стопорний штифт і поверніть його на 90° у розблоковане положення, щоб каретка рухалася вільно. Щоб заблокувати ковзання каретки, тисніть на каретку в напрямку штанги, доки вона не зупиниться, і поверніть стопорний штифт у заблоковане положення.

- **Рис.11:**
1. Заблоковане положення
  2. Розблоковане положення
  3. Стопорний штифт 4. Важіль

## Захисний кожух диска

**⚠ПОПЕРЕДЖЕННЯ:** Ніколи не знімайте захисний кожух або пружину, яка кріпиться до нього, та не змінюйте їх конструкцію. Інакше незахищений диск може спричинити серйозні травми під час роботи.

**⚠ПОПЕРЕДЖЕННЯ:** Ніколи не використовуйте інструмент, якщо захисний кожух або пружину пошкоджено, знято або якщо вони мають будь-які дефекти. Робота з інструментом, захисний кожух якого пошкоджено або знято, може призвести до серйозних травм.

**⚠ОБЕРЕЖНО:** Для забезпечення безпечної роботи слідкуйте за тим, щоб захисний кожух диска завжди був у хорошому стані. негайно зупиніть роботу за наявності яких-небудь невідповідностей у зовнішньому вигляді захисного кожуха диска. Перевіряйте зворотню дію підпружиненого захисного кожуха.

Коли ви опускаєте ручку, захисний кожух диска автоматично підіймається. Кожух підпружинений, тому він повертається в початкове положення після завершення різання та підйому ручки.

► **Рис.12:** 1. Захисний кожух диска

## Чищення

Якщо прозорий захисний кожух диска забруднився або весь покритий тирсою таким чином, що диск і/або деталь погано видно, слід від'єднати касету з акумулятором та ретельно очистити кожух мокрою ганчіркою. Забороняється застосовувати розчинники або будь-які миючі засоби на нафтовій основі для чищення пластикового захисного кожуха, оскільки так його можна пошкодити. Для підготовки до чищення дотримуйтесь наведених покрокових інструкцій.

1. Упевніться, що інструмент вимкнений, а касету з акумулятором знято.
  2. Шестигранним ключем, що входить у комплект поставки, покрутіть проти годинникової стрілки болт із внутрішнім шестигранником, який утримує центральну кришку.
  3. Підніміть захисний кожух диска та центральну кришку.
  4. Після закінчення чистки поставте на місце центральну кришку та затягніть болт із внутрішнім шестигранником, виконуючи наведені вище кроки в зворотному порядку.
  5. Обов'язково поверніть диск циркулярної пили й центральну кришку в початкове положення та затягніть болт із внутрішнім шестигранником.
- **Рис.13:** 1. Шестигранний ключ 2. Болт із внутрішнім шестигранником 3. Центральна кришка 4. Захисний кожух диска

**⚠ПОПЕРЕДЖЕННЯ:** Не знімайте пружину, яка утримує захисний кожух диска. У разі пошкодження захисного кожуха через тривалу експлуатацію або внаслідок впливу ультрафіолетового випромінювання зверніться до центру обслуговування Makita для його заміни. **ЗАБОРОНЕНО ПОШКОДЖУВАТИ АБО ЗНИМАТИ ЗАХИСНИЙ КОЖУХ.**

## Позиціонування щитка з пропилом

Цей інструмент забезпечено щитками з пропилом на поворотній основі, для того щоб мінімізувати розрив краю пропилю. Щитки з пропилом регулюються на заводі таким чином, щоб диск циркулярної пили не торкався щитків із пропилом. Перед використанням відрегулюйте щитки з пропилом, як вказано нижче.

1. Обов'язково вийміть касету з акумулятором. Після цього ослабте всі гвинти (три ліворуч і праворуч), які фіксують щитки з пропилом.
- **Рис.14:** 1. Щиток із пропилом 2. Гвинт
2. Затягніть їх знову так, щоб щитки з пропилом можна було легко пересувати рукою.
  3. Опустіть ручку до упору, потім потягніть і поверніть стопорний штифт, щоб заблокувати ручку в нижньому положенні.
  4. Потягніть і поверніть стопорний штифт на пересувній рейці, щоб забезпечити можливість ковзання каретки.
- **Рис.15:** 1. Стопорний штифт
5. Потягніть на себе каретку до упору.
  6. Відрегулюйте щитки з пропилом таким чином, щоб вони ледве торкалися боків зубців диска.
- **Рис.16**
- **Рис.17:** 1. Диск пили 2. Зубці диску 3. Щиток із пропилом 4. Різання з лівим нахилом 5. Пряме різання 6. Різання з правим кутом нахилу
7. Затягніть передні гвинти (не затягуйте міцно).
  8. Посуньте каретку до середини між переднім кінцем щитків із пропилом і напрямних планок. Відрегулюйте щитки з пропилом таким чином, щоб вони ледве торкалися боків зубців диска.

9. Затягніть центральні гвинти (не затягуйте міцно).
10. Пересуньте каретку повністю до напрямних планок і відрегулюйте щитки з пропилом таким чином, щоб вони ледве торкалися боків зубців диска.
11. Затягніть задні гвинти (не затягуйте міцно).
12. Після регулювання щитків із пропилом відпустіть стопорний штифт для блокування ручки й підніміть ручку. Потім надійно затягніть усі гвинти.

**УВАГА:** Після регулювання кута нахилу переконайтеся, що щитки з пропилом налаштовані відповідним чином. Правильно налаштування щитків із пропилом забезпечить надійну опору заготовки та зменшить до мінімуму ризик її виривання.

## Утримання максимальної ріжучої спроможності

Інструмент налаштовується на заводі таким чином, щоб забезпечити максимальну ріжучу спроможність диска пили діаметром 216 мм. Під час встановлення нового диска пили обов'язково перевіряйте нижнє граничне положення диска та за потреби відрегулюйте його, як описано нижче.

1. Зніміть касету з акумулятором. Пересуньте каретку до напрямної планки до упору та повністю опустіть ручку.
- **Рис.18:** 1. Болт регулювання 2. Напрямна планка
2. Шестигранним ключем крутіть болт регулювання, доки диск пили не опиниться трохи нижче за лінію перетину напрямної планки та верхньої поверхні поворотної основи.
- **Рис.19**
3. Обертайте диск пили рукою, утримуючи ручку натиснутою вниз до упору, щоб переконатися, що диск не торкається нижньої основи. Якщо необхідно, повторіть регулювання ще раз.

**⚠ПОПЕРЕДЖЕННЯ:** Після встановлення нового диска пили і від'єднання касети з акумулятором слід обов'язково переконаватися, що диск пили не торкається нижньої основи, коли ручку повністю опущено. Якщо диск пили торкається основи, це може спричинити віддачу інструмента та призвести до серйозних травм.

► **Рис.20**

## Сторопне плече

Нижнє граничне положення диска циркулярної пили можна легко відрегулювати за допомогою стопорного плеча. Для цього пересувайте стопорне плече в напрямку стрілки, як показано на рисунку. Повертайте гвинт регулювання, доки диск не зупиниться в бажаному положенні, коли ручку буде опущено до упору.

► **Рис.21:** 1. Шестигранний ключ 2. Гвинт регулювання 3. Стопорне плече

**⚠ОБЕРЕЖНО:** Під час регулювання слід міцно утримувати ручку. У разі недотримання цієї вимоги каретка може підскочити й завдати травм.

## Порядок регулювання косого кута

**⚠ ОБЕРЕЖНО:** Після змінення косого кута обов'язково закріпіть поворотну основу, повернувши важіль розблокування в заблоковане положення й щільно затягнувши рукоятку.

**УВАГА:** Обов'язково підійміть ручку до упора при обертанні поворотної основи.

1. Поверніть рукоятку проти годинникової стрілки й натисніть важіль розблокування, перевівши його в розблоковане положення.
  2. Тримайте й повертайте рукоятку з боку в бік, щоб повернути основу.
  3. Установіть покажчик на потрібний кут на шкалі косого кута.
  4. Підніміть важіль розблокування в заблоковане положення й затягніть рукоятку.
- **Рис.22:** 1. Рукоятка 2. Важіль розблокування 3. Заблоковане положення 4. Розблоковане положення 5. Покажчик 6. Шкала косого кута

## Функція упора-обмежувача

Торцеву пилу обладнано функцією упора-обмежувача. Можна швидко встановити такі косі кути вправо/вліво: 0°, 15°, 22,5°, 31,6°, 45° і 60°.

1. Поверніть основу близько до потрібного кута упора-обмежувача, натискаючи важіль розблокування вниз у розблоковане положення.
  2. Обережно переведіть важіль розблокування вгору посередині між розблокованим положенням і заблокованим положенням.
  3. Повертайте основу на потрібний кут упора-обмежувача до фіксації.
  4. Переведіть важіль розблокування вгору в заблоковане положення й затягніть рукоятку.
- **Рис.23:** 1. Кут упора-обмежувача 2. Важіль розблокування 3. Заблоковане положення 4. Розблоковане положення 5. Рукоятка

## Регулювання кута нахилу

**⚠ ОБЕРЕЖНО:** Після змінення кута нахилу обов'язково закріплюйте кронштейн, затягуючи регулятор на рукоятці за годинниковою стрілкою.

**УВАГА:** Завжди знімайте верхні напрямні планки та вертикальний затиск перед регулюванням кута нахилу.

**УВАГА:** Нахилиючи диск пили, переконайтеся, що каретка повністю піднята.

**УВАГА:** У разі змінення кутів нахилу не забудьте повторно встановити щитки з пропилом у належне положення, як описано в розділі, що стосується розташування щитків із пропилом.

**УВАГА:** Не затягуйте регулятор на рукоятці занадто сильно. Це може призвести до несправності пристрою блокування кута нахилу.

## Нахилання диска циркулярної пили вліво

1. Поверніть регулятор на рукоятці проти годинникової стрілки.
  2. Утримуйте ручку й нахиліть каретку вліво.
  3. Установіть покажчик на потрібний кут на шкалі кута нахилу.
  4. Затягніть регулятор на рукоятці за годинниковою стрілкою, щоб зафіксувати важіль.
- **Рис.24:** 1. Регулятор на рукоятці 2. Ручка 3. Покажчик 4. Шкала кута нахилу

## Нахилання диска циркулярної пили вправо

1. Поверніть регулятор на рукоятці проти годинникової стрілки.
  2. Утримуйте ручку й злегка нахиліть каретку вліво.
  3. Нахиліть каретку вправо, натискаючи важіль розблокування для правого кута нахилу.
  4. Установіть покажчик на потрібний кут на шкалі кута нахилу.
  5. Затягніть регулятор на рукоятці за годинниковою стрілкою, щоб зафіксувати важіль.
- **Рис.25:** 1. Регулятор на рукоятці 2. Ручка 3. Важіль розблокування для правого кута нахилу 4. Покажчик 5. Шкала кута нахилу

## Нахилання диска циркулярної пили за межі діапазону 0°–45°

1. Поверніть регулятор на рукоятці проти годинникової стрілки.
  2. Утримуйте ручку й нахиліть каретку на кут понад 45° вліво або вправо.
  3. Подайте каретку злегка назад і поверніть важіль розблокування для кута нахилу 48° за годинниковою стрілкою.
  4. Нахиліть каретку далі вліво або вправо, утримуючи при цьому відпущений важіль.
  5. Затягніть регулятор на рукоятці за годинниковою стрілкою, щоб зафіксувати важіль.
- **Рис.26:** 1. Регулятор на рукоятці 2. Ручка 3. Важіль розблокування для кута нахилу 48°

## Дія вимикача

**▲ ПОПЕРЕДЖЕННЯ:** Перед тим як вставляти касету з акумулятором в інструмент, слід перевірити роботу курка вимикача: він має повертатися в положення «ВИМК.», коли його відпускають. Ніколи не натискайте із силою на курок вимикача, якщо кнопку блокування вимкненого положення не натиснуто. Це може призвести до поломки вимикача. Робота з інструментом, вимикач якого не спрацьовує належним чином, може призвести до втрати контролю над інструментом і до отримання серйозних травм.

**▲ ПОПЕРЕДЖЕННЯ:** ЗАБОРОНЕНО користуватися інструментом, якщо курок вимикача працює неналежним чином. Інструмент із несправним вимикачем є ДУЖЕ НЕБЕЗПЕЧНИМ, для подальшого використання його слід полагодити, інакше його використання може призвести до серйозних травм.

**▲ ПОПЕРЕДЖЕННЯ:** ЗАБОРОНЕНО змінювати стан кнопки блокування вимкненого положення шляхом її затискання за допомогою стрічки або будь-яким іншим чином. Використання вимикача з несправною кнопкою блокування вимкненого положення може призвести до ненавмисного увімкнення та серйозних травм.

**▲ ПОПЕРЕДЖЕННЯ:** ЗАБОРОНЕНО користуватися інструментом, якщо він вмикається простим натисканням курка вимикача без натискання кнопки блокування вимкненого положення. Використання вимикача, який потребує ремонту, може спричинити ненавмисне увімкнення та серйозні травми. ПЕРЕД подальшим використанням інструмент слід передати до сервісного центру Makita для ремонту.

► Рис.27: 1. Курок вимикача 2. Кнопка блокування вимкненого положення 3. Отвір для замка

Для запобігання випадковому натисканню курка вимикача передбачено кнопку блокування вимкненого положення. Для того щоб запустити інструмент, натисніть на кнопку блокування вимкненого положення та натисніть на курок вимикача. Щоб зупинити роботу, відпустіть курок вимикача. У курку вимикача передбачений отвір для вставляння замка та блокування інструмента.

**▲ ПОПЕРЕДЖЕННЯ:** Не використовуйте фіксатор зі стрижнем або кабелем, діаметр яких менше 6,35 мм. Менший стрижень або кабель не зможуть належним чином зафіксувати інструмент у вимкненому положенні – це може призвести до ненавмисного увімкнення й тяжких травм.

## Відображення лінії різання

**▲ ОБЕРЕЖНО:** Лампа не є водонепроникною. Ніколи не мийте лампу у воді й не користуйтеся нею під дощем або у вологих приміщеннях. Це може призвести до ураження електричним струмом або виділення диму.

**▲ ОБЕРЕЖНО:** Не слід торкатися скла лампи під час роботи й одразу після вимкнення: вона дуже гаряча. Це може призвести до опіків.

**▲ ОБЕРЕЖНО:** Не піддавайте лампу ударним навантаженням. Це може призвести до її пошкодження або скоротити термін служби.

**▲ ОБЕРЕЖНО:** Не дивіться на світло або безпосередньо на джерело світла.

Світлодіодна лампа спрямовує світло на диск циркулярної пили, а на деталь падає тінь диска, що використовується в якості індикатора лінії різання, який не вимагає калібрування. Натисніть кнопку лампи для випромінювання світла. З'являється лінія, на якій диск торкатиметься поверхні деталі, заглиблюючись у міру опускання леза.

► Рис.28: 1. Кнопка лампи 2. Лампа 3. Лінія різання

Індикатор допомагає виконувати розріз за наявною лінією розрізу, нанесеною опівцем на деталь.

1. Утримуйте ручку й опустіть диск циркулярної пили, щоб щільна тінь диска впала на деталь.
2. Сумістіть лінію різання, намальовану на деталі, із затіненою лінією розрізу.
3. Якщо необхідно, відрегулюйте косі кути й кути нахилу.

**ПРИМІТКА:** Для економії заряду акумулятора переводьте вимикач лампи у вимкнене положення після закінчення роботи.

**ПРИМІТКА:** Світло автоматично згасне через 5 хвилин після припинення роботи.

## Функції електронного обладнання

### Електричне гальмо

Цей інструмент оснащено електричним гальмом диска. Якщо після відпускання курка вимикача не відбувається швидкого припинення роботи інструмента, зверніться до сервісного центру Makita для обслуговування інструмента.

### Контроль постійної швидкості

Інструмент оснащений пристроєм електронного контролю швидкості, який допомагає підтримувати постійну швидкість обертання диска навіть при навантаженні. Завдяки постійній швидкості обертання диска забезпечується дуже плавне різання.

### Функція плавного запуску

Ця функція також забезпечує плавний запуск інструмента, обмежуючи обертальний момент під час пуску.

## ЗБОРКА

**▲ПОПЕРЕДЖЕННЯ:** Перед виконанням будь-яких дій із обслуговування інструмента переконайтеся, що його вимкнено і від'єднано касету з акумулятором. Якщо інструмент не вимкнено та не від'єднано касету з акумулятором, це може призвести до серйозних травм.

## Зберігання шестигранного ключа

Коли шестигранний ключ не використовується, зберігайте його, як показано на рисунку, щоб він не загубився.

► **Рис.29:** 1. Шестигранний ключ

## Зняття й установлення диска пили

**▲ПОПЕРЕДЖЕННЯ:** Переконайтеся в тому, що інструмент вимкнено, а касету з акумулятором витягнуто перед зняттям і встановленням диска циркулярної пили. Випадкове ввімкнення інструмента може призвести до тяжких травм.

**▲ПОПЕРЕДЖЕННЯ:** Для зняття або встановлення диска циркулярної пили використовуйте тільки ключ Makita, що йде в комплекті. Недотримання цієї вимоги може призвести до надмірного або недостатнього затягування болта з внутрішнім шестигранником і, як наслідок, до тяжких травм.

**▲ПОПЕРЕДЖЕННЯ:** Заборонено використовувати або встановлювати в якості запасних ті частини, які не постачаються із цим інструментом. Використання таких частин може призвести до тяжкої травми.

**▲ПОПЕРЕДЖЕННЯ:** Після встановлення диска пили переконайтеся в тому, що його надійно закріплено. Ненадійне кріплення диска пили може призвести до тяжких травм.

## Знімання диска

Щоб зняти диск пили, виконайте такі дії:

1. Зафіксуйте каретку в піднятому положенні, потягнувши її повернувши стопорний штифт у заблоковане положення.

► **Рис.30:** 1. Стопорний штифт

2. За допомогою шестигранного ключа послабте болт із внутрішнім шестигранником, який утримує центральну кришку. Після цього підніміть захисний кожух диска та центральну кришку.

► **Рис.31:** 1. Шестигранний ключ 2. Болт із внутрішнім шестигранником 3. Центральна кришка 4. Захисний кожух диска

3. Натисніть на замок вала для блокування шпинделя й за допомогою шестигранного ключа послабте болт із внутрішнім шестигранником, повертаючи його за годинниковою стрілкою. Потім зніміть болт із внутрішнім шестигранником, зовнішній фланець і диск циркулярної пили.

► **Рис.32:** 1. Болт із внутрішнім шестигранником (з лівою різьбою) 2. Зовнішній фланець 3. Фіксатор

4. Якщо внутрішній фланець був знятий, встановіть його на шпиндель таким чином, щоб його частина, призначена для встановлення диска пили, була повернута до диска пили. Якщо фланець встановлено неправильно, він буде чіпляти інструмент.

► **Рис.33:** 1. Зовнішній фланець 2. Диск пили 3. Внутрішній фланець 4. Болт із внутрішнім шестигранником (лівий) 5. Шпиндель 6. Частина, призначена для встановлення диска

## Установлення диска

**▲ОБЕРЕЖНО:** Установіть диск циркулярної пили таким чином, щоб напрямком, указаний стрілкою на диску, збігався з напрямком, указаним на корпусі диска. Невиконання цієї вимоги може призвести до травм і до пошкодження інструмента й/або деталі.

Щоб установити диск пили, виконайте такі дії:

1. Обережно встановіть диск пили на внутрішній фланець. Переконайтеся, що напрямком стрілки на диску пили збігається з напрямком стрілки на корпусі диска.

► **Рис.34:** 1. Стрілка

2. Установіть зовнішній фланець і болт із внутрішнім шестигранником, а потім шестиграним ключем надійно затягніть болт шпинделя (з лівою різьбою) проти годинникової стрілки, натискаючи на замок вала.

3. Установіть на місце захисний кожух та центральну кришку. Потім затягніть болт із внутрішнім шестигранником центральної кришки, щоб закріпити центральну кришку.

4. Потягніть і поверніть стопорний штифт, щоб вивести каретку з піднятого положення. Опустіть каретку, щоб переконатися, що захисний кожух диска рухається належним чином.

## Для інструмента з внутрішнім фланцем під диск пили з отвором діаметром 15,88 мм

### Залежно від країни

Установіть внутрішній фланець на вал виточеною частиною назовні й установіть диск циркулярної пили, зовнішній фланець і болт із внутрішнім шестигранником.

► **Рис.35:** 1. Зовнішній фланець 2. Диск пили 3. Внутрішній фланець 4. Болт із внутрішнім шестигранником (лівий) 5. Шпиндель 6. Виточена частина

## Для інструмента з внутрішнім фланцем під диск пили, діаметр отвору якого є іншим, ніж 25,4 мм або 30 мм

### Залежно від країни

Внутрішній фланець має частину, призначену для встановлення диска певного діаметра з одного боку й частину, призначену для встановлення диска з діаметром, що відрізняється від попереднього, з іншого боку. Виберіть правильний бік, з якого частина, призначена для встановлення диска циркулярної пили, точно підходить до отвору диска.

► **Рис.36:** 1. Зовнішній фланець 2. Диск пили 3. Внутрішній фланець 4. Болт із внутрішнім шестигранником (лівий) 5. Шпиндель 6. Частина, призначена для встановлення диска

**⚠ОБЕРЕЖНО:** Переконайтеся, що призначена для встановлення диска частина «а» на внутрішньому фланці, яка направлена назовні, точно підходить до отвору «а» диска пили. Установлення диска пили неправильною стороною може призвести до виникнення небезпечної вібрації.

## Під'єднання пілососа

Щоб забезпечити чистоту під час різання, під'єдняйте пілосос Makita до штуцера для пилу (верхній отвір для пилу) за допомогою передньої манжети 24 (додаткове обладнання).

► **Рис.37:** 1. Передні манжети 24 2. Шланг 3. Пілосос

## Мішок для пилу

**⚠ОБЕРЕЖНО:** Під час різання слід обов'язково приєднати мішок для пилу або під'єднати пілосос, аби уникнути небезпеки, пов'язаної з утворенням пилу.

Використання мішка для пилу забезпечує чистоту різання й полегшує збирання пилу. Щоб прикріпити мішок для пилу, зніміть шланг для пиловидалення з інструмента й під'єднайте мішок для пилу до штуцера для пилу (верхній отвір для пилу).

► **Рис.38:** 1. Шланг для пиловидалення 2. Мішок для пилу 3. Штуцер для пилу (верхній отвір для пилу)

Коли мішок для пилу заповниться приблизно наполовину, зніміть його з інструмента й витягніть застібок. Випорожніть мішок для пилу, злегка постукуючи по ньому, щоб видалити частки, які пристали до внутрішньої поверхні, що може перешкодити збору пилу.

► **Рис.39:** 1. Застібка

## Кріплення деталі

**⚠ПОПЕРЕДЖЕННЯ:** Надзвичайно важливо належним чином закріплювати деталь за допомогою відповідного затиску. Невиконання цієї вимоги може призвести до серйозних травм та до пошкодження інструмента та/або деталі.

**⚠ПОПЕРЕДЖЕННЯ:** Під час різання деталі, яка є довшою за основу пили, матеріал слід тримати на одному рівні, підтримуючи по всій довжині на тій самій висоті. Належна опора деталі допоможе запобігти защемленню диска та можливій віддачі, яка може призвести до серйозних травм. При кріпленні деталі не слід розраховувати виключно на вертикальний та/або горизонтальний затиск. Тонкий матеріал прогинається. Деталь слід підпирати по всій довжині, щоб запобігти защемленню диска та можливій ВІДДАЧІ.

► **Рис.40:** 1. Опора 2. Поворотна основа

## Напрямні планки

**⚠ПОПЕРЕДЖЕННЯ:** Перш ніж користуватися інструментом, слід перевірити, чи верхня планка міцно закріплена.

**⚠ПОПЕРЕДЖЕННЯ:** Перш ніж здійснювати різання під кутом, переконайтеся, що у всіх положеннях інструмента жодна з його частин — особливо це стосується диска — не торкається верхніх і нижніх планок при повністю опущеній або піднятій ручці, а також під час пересування каретки по всій довжині. Якщо інструмент або диск торкається планки, це може спричинити віддачу або несподіваний рух матеріалу та призвести до серйозних травм.

Використовуйте верхню планку для втримування деталей вище нижніх планок. Відпустіть затискний гвинт таким чином, щоб верхні планки ковзали всередину й назовні над нижніми планками. Перемістіть планки й затягніть гвинт.

► **Рис.41:** 1. Верхня планка 2. Нижня планка 3. Затискний гвинт 4. Гвинт регулювання

**УВАГА:** Нижні планки кріпляться до основи на заводі. Не знімайте нижні планки.

**УВАГА:** Якщо верхня планка після затягування затискного гвинта все ще не зафіксована, поверніть гвинт регулювання, щоб закрити проміжок. Гвинт регулювання налаштується на заводі. Не використовуйте його, якщо в цьому не виникає потреби.

## Вертикальний затиск

**⚠ПОПЕРЕДЖЕННЯ:** Під час усіх операцій деталь має бути надійно прикріплена до поворотної основи й напрямної планки за допомогою затиску. Якщо деталь прикріплена до планки неналежним чином, матеріал може зсунути під час різання, у результаті чого диск може отримати пошкодження, а матеріал відскочити, це може призвести до втрати контролю й тяжких травм.

Вертикальний затиск можна встановлювати у двох положеннях: по одному ліворуч і праворуч від основи. Вставте затискний штифт в один із отворів в основі ручки.

Розмістіть затискне плече відповідно до товщини й форми деталі й закріпіть його, затягнувши затискний гвинт. Якщо затискний гвинт торкається каретки, установіть його з протилежної сторони затискного плеча. Переконайтеся, що жодна деталь інструмента не торкається затиску при опусканні ручки до кінця. Якщо якась деталь торкається затиску, повторіть його встановлення.

Притисніть деталь упритул до напрямних планок і поворотної основи. Розмістіть деталь у бажаному положенні різання й міцно закріпіть її, затягнувши затискну ручку.

► **Рис.42:** 1. Отвори 2. Затискний штифт 3. Затискне плече 4. Затискний гвинт 5. Затискна ручка



## Горизонтальний затиск

### Додаткове приладдя

**▲ ПОПЕРЕДЖЕННЯ:** Завжди повертайте гайковий тримач за годинниковою стрілкою до повної фіксації деталі. Якщо деталь закріплена неналежним чином, матеріал може зсунутися під час різання, у результаті чого диск циркулярної пили може отримати пошкодження, а матеріал відскочити, що у свою чергу може призвести до втрати контролю й до тяжких травм.

**▲ ПОПЕРЕДЖЕННЯ:** Під час різання тонких деталей, наприклад плінтусів, впритул до планок, завжди використовуйте горизонтальні лещата.

**▲ ОБЕРЕЖНО:** Якщо товщина оброблюваної деталі становить 20 мм або менше, обов'язково застосовуйте розпорний блок для надійної фіксації оброблюваної деталі.

Горизонтальний затискний пристрій можна встановлювати на лівому або на правому боці від основи. Під час різання під кутом 22,5° і більше встановіть горизонтальний затиск із боку, протилежного до напрямку обертання поворотної основи. У разі прокручування гайкового тримача проти годинникової стрілки затиск відпускається та швидко пересувається всередину й назовні. Щоб зафіксувати деталь, натисніть на затискну ручку вперед, доки затискна пластина не торкнеться деталі, і прокрутіть гайковий тримач за годинниковою стрілкою. Потім поверніть затискну ручку за годинниковою стрілкою, для того щоб закріпити деталь.

► **Рис.43:** 1. Затискна пластина лещат 2. Гайковий тримач 3. Затискна ручка

**ПРИМІТКА:** Максимальна ширина деталі, яку можна закріпити горизонтальним затиском, становить 68 мм.

### Додаткова основа

**▲ ПОПЕРЕДЖЕННЯ:** Щоб забезпечити точність відрізу та уникнути небезпечної втрати контролю над інструментом, слід завжди підтримувати довгу деталь на одному рівні з поверхнею поворотної основи. Належне підтримування деталі допоможе уникнути защемлення диска та можливої віддачі, яка може призвести до серйозних травм.

**▲ ПОПЕРЕДЖЕННЯ:** Перш ніж починати різання, переконайтеся в тому, що додаткові основи закріплено гвинтами.

Для утримання довгих оброблюваних деталей горизонтально з обох сторін інструмента встановлено додаткові основи. Відпустіть гвинти й розширте додаткові основи до достатньої довжини для фіксації деталі. Потім затягніть гвинти.

► **Рис.44:** 1. Додаткова основа 2. Гвинт

Під час різання розміщуйте деталь рівно на напрямних планках.

► **Рис.45:** 1. Напрямна планка 2. Додаткова основа

## РОБОТА

Цей інструмент призначено для різання лісоматеріалів. Якщо використовувати оригінальні диски пили виробництва компанії Makita, то інструмент можна застосовувати й для різання вказаних далі матеріалів:

- алюміній

Для отримання інформації про диски циркулярної пили, що підходять для розрізання вибраного матеріалу, завітайте на наш веб-сайт або зверніться до місцевого дилера компанії Makita.

**▲ ПОПЕРЕДЖЕННЯ:** Перед увімкненням інструмента переконайтеся в тому, що диск пили не торкається заготовки й інших предметів. Увімкнення інструмента, коли диск пили торкається заготовки, може призвести до віддачі та, як наслідок, до тяжких травм.

**▲ ПОПЕРЕДЖЕННЯ:** Після завершення різання не піднімайте диск пили, доки він повністю не зупиниться. Якщо підняти диск, що рухається за інерцією, це може призвести до тяжких травм і пошкодити заготовку.

**▲ ПОПЕРЕДЖЕННЯ:** Не здійснюйте жодних налаштувань, наприклад повертання затиску, важелів або стопорного штифта на інструменті, коли диск пили обертається. Спроба налаштування під час обертання диска пили може призвести до тяжких травм.

**УВАГА:** Перед використанням розблокуйте стопорний штифт і відпустіть ручку з опущеного положення.

**УВАГА:** Не додавайте надлишкового тиску на ручку під час різання. Занадто велике зусилля може призвести до перенавантаження двигуна та/або зниження продуктивності різання. Слід тиснути на ручку тільки з такою силою, яка необхідна для плавного різання та без значного зниження швидкості диска.

**УВАГА:** Для різання слід плавно тиснути ручку вниз. Якщо ручку натискати із зусиллям або за наявності бокового зусилля, диск пили може почати вібрувати та залишити мітку (слід різання) на заготовці, що може призвести до погіршення точності різання.

**УВАГА:** Під час пересувного різання слід плавно й без зупинки штовхати каретку в напрямку до напрямних планок. Якщо каретка зупиниться під час різання, на деталі може залишитися мітка, а точність різання може погіршитися.

### Вирізання

**▲ ПОПЕРЕДЖЕННЯ:** Завжди блокуйте каретку від пересування, коли виконуєте вирізання. Різання без блокування може спричинити віддачу, яка може призвести до серйозних травм.

Деталі, вищі ніж 70 мм та ширші ніж 92 мм можна різати наступним способом.

1. Посуньте каретку до напрямних планок, доки вона не зупиниться, і заблокуйте її за допомогою стопорного штифта.

2. Закріпіть деталь за допомогою затиску відповідного типу.
  3. Увімкніть інструмент, переконавшись у тому, що диск пили не торкається жодних предметів, і зачекайте, доки диск не набере максимальну швидкість, перш ніж опускати його.
  4. Плавно опустіть ручку в найнижче положення для різання деталі.
  5. Після завершення різання вимкніть інструмент і зачекайте, доки диск пили повністю не зупиниться, після чого підніміть диск пили до упору.
- Рис.46: 1. Стопорний штифт

## Пересувне (поштовхом) різання (різання великих деталей)

**▲ПОПЕРЕДЖЕННЯ:** Кожного разу під час виконання пересувного різання спочатку потягніть каретку повністю до себе та натисніть на ручку вниз до упору, потім пересуньте каретку до напрямної планки. Ніколи не починайте різання, повністю не пересунувши каретку до себе. Якщо ви будете виконувати пересувне різання, повністю не пересунувши каретку до себе, може виникнути несподівана віддача, яка може призвести до серйозних травм.

**▲ПОПЕРЕДЖЕННЯ:** Ніколи не намагайтеся виконувати пересувне різання, потягнувши каретку до себе під час різання, може виникнути несподівана віддача, яка може призвести до серйозних травм.

**▲ПОПЕРЕДЖЕННЯ:** Ніколи не виконуйте пересувне різання, якщо ручка заблокована в опущеному положенні.

1. Розблокуйте стопорні штифти, щоб забезпечити можливість підйому й безперешкодного ковзання каретки.
  2. Закріпіть деталь за допомогою затиску відповідного типу.
  3. Потягніть на себе каретку до упору.
  4. Увімкніть інструмент, переконавшись у тому, що диск пили не торкається жодних предметів, і зачекайте, доки він не набере максимальну швидкість.
  5. Натисніть на ручку й пересуньте каретку до напрямних планок і вздовж робочої деталі.
  6. Після завершення різання вимкніть інструмент і зачекайте, доки диск пили повністю не зупиниться, після чого підніміть диск пили до упору.
- Рис.47: 1. Стопорний штифт для блокування ручки 2. Стопорний штифт для блокування руху

## Різання під косим кутом

Див. розділ «Регулювання косоного кута».

## Різання з кутом нахилу

**▲ПОПЕРЕДЖЕННЯ:** Після налаштування диска пили для різання з кутом нахилу переконайтеся в тому, що каретка й диск пили можуть вільно пересуватися по всій довжині наміченого розрізу, перш ніж почати роботу з інструментом. Переривання руху каретки або диска пили під час різання може призвести до несподіваної віддачі й тяжких травм.

**▲ПОПЕРЕДЖЕННЯ:** Під час різання з кутом нахилу оператору не слід тримати руки на траскторії руху диска пили. Через те що диск пили розташований під кутом, оператор може неправильно сприймати фактичний напрямку руху диска під час різання; контакт із диском призведе до тяжкої травми.

**▲ПОПЕРЕДЖЕННЯ:** Доки диск пили повністю не зупиниться, його не слід піднімати. Під час різання з кутом нахилу обрізок деталі може зачепитися за диск пили. Якщо підняти диск пили, що обертається, він може вирвати обрізок деталі, розбивши його на осколки, які можуть завдати тяжких травм.

**УВАГА:** Натискаючи ручку вниз, докладайте зусилля паралельно диску пили. Якщо зусилля додано перпендикулярно поворотній основі або напрямку тиску змінюється під час різання, це може негативно вплинути на точність різання.

1. Зніміть верхню планку на тій стороні, куди він збирається нахилити каретку.
  2. Розблокуйте сторони штифти, щоб забезпечити можливість підйому й безперешкодного ковзання каретки.
  3. Відрегулюйте кут нахилу відповідно до процедури, описаної в розділі для Регулювання кута нахилу. Після цього затягніть регулятор на рукоятці.
  4. Закріпіть деталь за допомогою затиску.
  5. Потягніть на себе каретку до упору.
  6. Увімкніть інструмент, переконавшись у тому, що диск пили не торкається жодних предметів, і зачекайте, доки він не набере максимальну швидкість.
  7. Плавно опустіть ручку до упору,кладаючи зусилля паралельно диску циркулярної пили, і штовхайте каретку до напрямних планок для різання деталі.
  8. Після завершення різання вимкніть інструмент і зачекайте, доки диск пили повністю не зупиниться, після чого підніміть диск пили до упору.
- Рис.48

## Комбіноване різання

Комбіноване різання — це процес, при якому встановлено кут нахилу і одночасно косий кут вирізається на деталі. Комбіноване різання може відбуватися під кутом, вказаним у таблиці нижче.

Косий кут	Кут нахилу
Лівий та правий 0–45°	Вліво та вправо 0°–45°

У разі комбінованого різання див. розділи «Вирізання», «Пересувне (поштовхом) різання», «Різання під косим кутом» і «Різання з кутом нахилу».

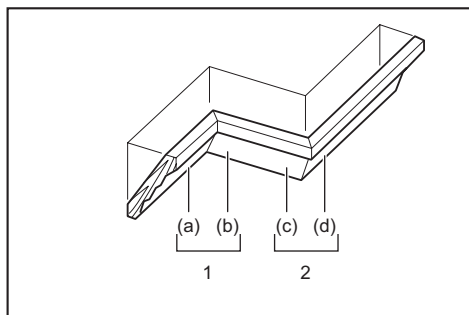
## Різання галтелей з хвилеподібним та увігнутим профілем

Галтелі з хвилеподібним та увігнутим профілем можна різати на комбінованій пилі для різання під кутом разом з галтелями, встановленими горизонтально на поворотній основі.

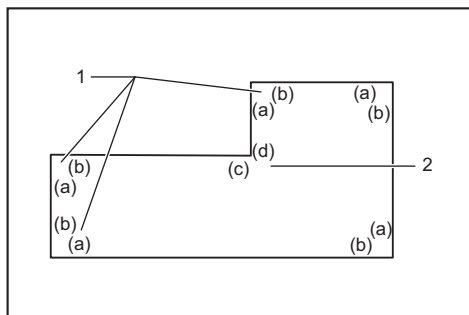
Є два загальні типи галтелей із хвилеподібним профілем та один тип галтелей із увігнутим профілем; настінна кутова галтель із хвилеподібним профілем 52/38°, настінна кутова галтель із хвилеподібним профілем 45° та настінна кутова галтель із увігнутим профілем 45°.

► **Рис.49:** 1. Галтель із хвилеподібним профілем типу 52/38° 2. Галтель із хвилеподібним профілем типу 45° 3. Галтель із увігнутим профілем типу 45°

Для галтелей із хвилеподібним та увігнутим профілем є два типи швів, які здійснюються для припасування у «внутрішні» кути 90° ((a) та (b) на малюнку), а також у «зовнішні» кути 90° ((c) та (d) на малюнку).



1. Внутрішній кут 2. Зовнішній кут



1. Внутрішній кут 2. Зовнішній кут

## Вимірювання

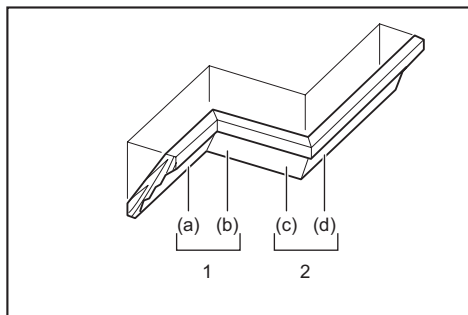
Виміряйте ширину стіни та підкоригуйте відповідно до неї ширину деталі. Завжди пильнуйте, щоб ширина краю деталі, що торкається стіни, відповідала довжині стіни.

► **Рис.50:** 1. Деталь 2. Ширина стіни 3. Ширина деталі 4. Край, що торкається стіни

Завжди використовуйте декілька деталей для пробних проходів, щоб перевірити кути відрізу.

Під час різання галтелей із хвилеподібним та увігнутим профілем встановіть кут нахилу та кут різання, як показано в таблиці (A), та розташуйте галтелі на верхній стороні основи пили, як показано в таблиці (B).

## У випадку різання під кутом ліворуч



1. Внутрішній кут 2. Зовнішній кут

Таблиця (A)

–	Положення галтелі на малюнку	Кут нахилу		Косий кут	
		Тип 52/38°	Тип 45°	Тип 52/38°	Тип 45°
Для внутрішнього кута	(a)	Лівий 33,9°	Лівий 30°	Правий 31,6°	Правий 35,3°
	(b)			Лівий 31,6°	Лівий 35,3°
Для зовнішнього кута	(c)			Правий 31,6°	Правий 35,3°
	(d)				

Таблиця (B)

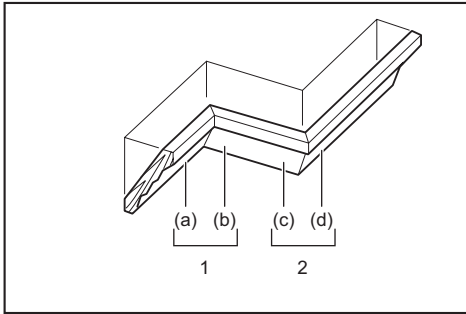
–	Положення галтелі на малюнку	Поверхня галтелі напроти напрямної планки	Оброблена деталь
Для внутрішнього кута	(a)	Край, що торкається стелі, повинен бути розташований напроти напрямної планки.	Оброблена деталь знаходиться ліворуч від диска.
	(b)	Край, що торкається стіни, повинен бути розташований напроти напрямної планки.	
Для зовнішнього кута	(c)	Край, що торкається стелі, повинен бути розташований напроти напрямної планки.	Оброблена деталь знаходиться праворуч від диска.
	(d)	Край, що торкається стіни, повинен бути розташований напроти напрямної планки.	

Приклад:

У випадку різання галтелі з хвилеподібним профілем типу 52/38° для положення (а) на малюнку вище:

- Нахиліть та встановіть кут нахилу на 33,9° ЛІВОРУЧ.
- Налаштуйте та встановіть кут різання на 31,6° ПРАВОРУЧ.
- Розташуйте галтель із хвилеподібним профілем так, щоб її широка задня частина (що схована) знаходилась на основі та була направлена вниз, а КРАЙ, ЩО ТОРКАЄТЬСЯ СТЕЛІ, — напроти напрямної планки пили.
- Після виконання відрізу призначена для використання оброблена деталь буде завжди ЛІВОРУЧ від диска пили.

## У випадку різання з правим кутом нахилу



1. Внутрішній кут 2. Зовнішній кут

Таблиця (А)

—	Положення галтелі на малюнку	Кут нахилу		Косий кут	
		Тип 52/38°	Тип 45°	Тип 52/38°	Тип 45°
Для внутрішнього кута	(a)	Правий 33,9°	Правий 30°	Правий 31,6°	Правий 35,3°
	(b)			Лівий 31,6°	Лівий 35,3°
Для зовнішнього кута	(c)			Правий 31,6°	Правий 35,3°
	(d)				

Таблиця (В)

—	Положення галтелі на малюнку	Поверхня галтелі напроти напрямної планки	Оброблена деталь
Для внутрішнього кута	(a)	Край, що торкається стіни, повинен бути розташований напроти напрямної планки.	Оброблена деталь знаходиться праворуч від диска.
	(b)	Край, що торкається стіни, повинен бути розташований напроти напрямної планки.	
Для зовнішнього кута	(c)	Край, що торкається стіни, повинен бути розташований напроти напрямної планки.	Оброблена деталь знаходиться ліворуч від диска.
	(d)	Край, що торкається стіни, повинен бути розташований напроти напрямної планки.	

Приклад:

У випадку різання галтелі з хвилеподібним профілем типу 52/38° для положення (а) на малюнку вище:

- Нахиліть та встановіть кут нахилу на 33,9° ПРАВОРУЧ.
- Налаштуйте та встановіть кут різання на 31,6° ПРАВОРУЧ.
- Розташуйте галтель із хвилеподібним профілем так, щоб її широка задня частина (що схована) знаходилась на поворотній основі та була направлена вниз, а КРАЙ, ЩО ТОРКАЄТЬСЯ СТИНИ, — напроти напрямної планки пили.
- Після виконання відрізу призначена для використання оброблена деталь буде завжди ПРАВОРУЧ від диска пили.

## Різнання алюмінієвого профілю

- **Рис.51:** 1. Затиск 2. Проміжний блок 3. Напрямна планка 4. Алюмінієвий профіль 5. Проміжний блок

Для кріплення алюмінієвого профілю користуйтеся проміжними блоками або шматком із відходів, як показано на малюнку, щоб запобігти деформації алюмінію. Щоб уникнути налипання алюмінієвої стружки на диск, використовуйте змащувально-охолоджувальну рідину під час різання алюмінієвого профілю.

**▲ ПОПЕРЕДЖЕННЯ:** Не намагайтеся різати товсті та круглі алюмінієві профілі. Товстий або круглий алюмінієвий профіль важко закріпити, і він може розхитатися під час різання, що може призвести до втрати контролю та до серйозних травм.

## Різання пазів

**▲ПОПЕРЕДЖЕННЯ:** Не намагайтеся виконати цей тип відрізу, використовуючи більш широкий диск або диск для вирізання пазів. Спроба прорізати паз за допомогою більш широкого диска або диска для вирізання пазів може призвести до непередбачених результатів, віддачі або серйозних травм.

**▲ПОПЕРЕДЖЕННЯ:** Обов'язково поверніть стопорне плече в початкове положення при виконанні іншого виду різання окрім різання пазів. Спроба зробити надріз, коли стопорне плече знаходиться в неналежному положенні, може призвести до непередбачених результатів, віддачі або серйозних травм.

Для різання пазів виконайте наступні дії:

1. Щоб обмежити глибину різання диском пили, відрегулюйте нижнє граничне положення диска пили за допомогою гвинта регулювання та стопорного плеча. Див. розділ «Стопорне плече».
2. Після регулювання нижнього граничного положення диска пили проріжте паралельні пази по ширині деталі в режимі пересування (поштовхом) різання.  
► **Рис.52:** 1. Проріжте пази диском
3. Потім зніміть матеріал деталі між пазами за допомогою стамески.

## Перенесення верстата

Перед перенесенням інструмента переконайтеся в тому, що касету з акумулятором вийнято, а всі рухомі частини торцевої пили закріплено. Завжди перевіряйте, чи виконано такі умови:

- касета з акумулятором вийнята з інструмента;
- каретка знаходиться в положенні під кутом нахилу 0° та закріплена;
- каретка опущена та заблокована;
- Каретку пересунуто до напрямної планки до упору й заблоковано.
- поворотна основа переведена в положення під косим кутом до упору та закріплена;
- Додаткові основи складено й зафіксовано.

Перенесіть інструмент, тримаючи його за ручку або за основу з обох боків.

► **Рис.53**

► **Рис.54**

**▲ПОПЕРЕДЖЕННЯ:** Стопорний штифт для підняття каретки призначений тільки для транспортування й зберігання, а не для різання. Якщо використовувати стопорний штифт під час різання, це може викликати несподіваний рух диска циркулярної пили та призвести до віддачі й тяжких травм.

**▲ОБЕРЕЖНО:** Перед перенесенням інструмента обов'язково закріпите всі рухомі деталі. Якщо під час перенесення інструмента деякі його частини рухаються, ви можете втратити рівновагу й отримати тяжкі травми.

**▲ОБЕРЕЖНО:** Переконайтеся в тому, що каретку правильно зафіксовано в нижньому положенні стопорним штифтом. Якщо стопорний штифт задіяно неправильно, каретка може раптово підскочити й спричинити травму.

## ФУНКЦІЯ БЕЗДРОВОЇ АКТИВАЦІЇ

### Для чого призначена функція бездротової активації

Використання функції бездротової активації забезпечує чистоту та комфортну роботу. Після під'єднання до інструмента сумісного пилососа його можна буде автоматично запускати разом з інструментом.

► **Рис.55**

Щоб скористатися функцією бездротової активації, підготуйте наступні компоненти:

- бездротовий модуль (додаткове обладнання);
- пилосос, який підтримує функцію бездротової активації.

Налаштування функції бездротової активації наведено далі. Щоб отримати докладні інструкції, зверніться до відповідного розділу.

1. Установлення бездротового модуля
2. Реєстрація інструмента для пилососа
3. Увімкнення функції бездротової активації

### Установлення бездротового модуля

*Додаткове приладдя*

**▲ОБЕРЕЖНО:** Під час установлення бездротового модуля розташуйте інструмент на рівній і стійкій поверхні.

**УВАГА:** Перед установленням бездротового модуля очистіть інструмент від пилу та бруду. Пил або бруд можуть стати причиною несправності, якщо вони потраплять у відсік бездротового пристрою.

**УВАГА:** Щоб уникнути несправностей, викликаних статичною електрикою, перш ніж торкатися бездротового модуля, доторкніться до деталі, яка допоможе зняти електростатичний заряд, наприклад до металевої частини інструменту.

**УВАГА:** Під час установлення бездротового модуля завжди стежте за тим, щоб уставляти його правильною стороною та щоб кришка відсіку була повністю закрыта.

1. Відкрийте кришку на інструменті, як показано на малюнку.

► **Рис.56:** 1. Кришка

2. Вставте бездротовий модуль у відсік і закрийте кришку.

Під час установлення бездротового модуля сумістіть виступи із заглибленнями у відсіку.

► **Рис.57:** 1. Бездротовий модуль 2. Виступ  
3. Кришка 4. Заглиблення

Під час вивільнення бездротового модуля відкривайте кришку повільно. Гачки на зворотному боці кришки зачеплять бездротовий модуль, якщо потягнути за кришку.

► **Рис.58:** 1. Бездротовий модуль 2. Гачок  
3. Кришка

Після зняття бездротового модуля зберігайте його в упаковці з комплекту постачання або в контейнері, захищеному від дії статичної електрики.

**УВАГА:** Під час вивільнення бездротового модуля завжди використовуйте гачки на зворотному боці кришки. Якщо гачки не захопили бездротовий модуль, повністю закрийте кришку та знову повільно відкрийте її.

## Реєстрація інструмента для пирососа

**ПРИМІТКА:** Для реєстрації інструмента потрібно мати пиросос Makita, який підтримує функцію бездротової активації.

**ПРИМІТКА:** Установіть бездротовий модуль в інструмент перед початком реєстрації.

**ПРИМІТКА:** Не вмикайте такі перемикачі під час реєстрації інструмента:

- курок вмикача на інструменті
- перемикач пирососа на інструменті
- перемикач живлення на пирососі

**ПРИМІТКА:** Див. також посібник з експлуатації пирососа.

Для ввімкнення пирососа одночасно з інструментом спочатку виконайте реєстрацію інструмента.

1. Уставте акумулятори в пиросос та інструмент.

2. Установіть перемикач режиму очікування на пирососі в положення «AUTO».

► **Рис.59:** 1. Перемикач режиму очікування

3. Натисніть кнопку бездротової активації на пирососі та втримуйте її протягом 3 секунд, поки індикатор бездротової активації не почне блимати зеленим кольором. Потім так само натисніть кнопку бездротової активації на інструменті.

► **Рис.60:** 1. Кнопка бездротової активації  
2. Індикатор бездротової активації

Якщо пиросос та інструмент з'єднані успішно, індикатори бездротової активації світлитимуться зеленим світлом протягом 2 секунд, а потім почнуть блимати синім кольором.

**ПРИМІТКА:** Індикатори бездротової активації припинять блимати зеленим кольором за 20 секунд. Натисніть кнопку бездротової активації на інструменті, поки блимає індикатор бездротової активації на пирососі. Якщо індикатор бездротової активації не блимає зеленим, короткочасно натисніть кнопку бездротової активації, а потім знову натисніть і втримуйте її.

**ПРИМІТКА:** Якщо потрібно зареєструвати два або більше інструментів для одного пирососа, виконайте реєстрацію інструментів послідовно, один за одним.

## Увімкнення функції бездротової активації

**ПРИМІТКА:** Завершіть реєстрацію інструмента для пирососа до використання бездротової активації.

**ПРИМІТКА:** Див. також посібник з експлуатації пирососа.

Після реєстрації інструмента пиросос вмикатиметься автоматично, коли починатиме працювати інструмент. Натисніть курок вмикача на інструменті, щоб задіяти пиросос під час роботи. Пиросос також вмикатиметься під час натискання кнопки пирососа на інструменті під час кожного різання.

► **Рис.61**

1. Установіть бездротовий модуль в інструмент.

2. З'єднайте шланг пирососа з інструментом.

► **Рис.62**

3. Установіть перемикач режиму очікування на пирососі в положення «AUTO».

► **Рис.63:** 1. Перемикач режиму очікування

4. Натисніть і відпустіть кнопку бездротової активації на інструменті. Індикатор бездротової активації почне блимати синім кольором.

► **Рис.64:** 1. Кнопка бездротової активації

2. Індикатор бездротової активації

5. Натисніть на курок вмикача інструмента.

Перевірте, чи працює пиросос, коли натиснуто курок вмикача.

6. Натисніть кнопку пирососа для ввімкнення пирососа. Переконайтеся, що індикатор бездротової активації починає світлитися синім і пиросос продовжує працювати до повторного натискання кнопки.

7. Для припинення роботи пирососа відпустіть курок вмикача або натисніть кнопку пирососа ще раз. Пиросос вимикається через кілька секунд після перемикачання, після чого індикатор починає блимати синім.

**ПРИМІТКА:** Стан перемикачання (увімкнення / вимкнення пирососа) можна визначити за індикатором бездротової активації. Докладнішу інформацію див. у розділі з описом стану індикатора бездротової активації.

8. Щоб вимкнути бездротову активацію пирососа, натисніть кнопку бездротової активації на інструменті.

**ПРИМІТКА:** Індикатор бездротової активації на інструменті припинить блимати синім, якщо він не використовується протягом 2 годин. У цьому випадку встановить перемикач режиму очікування на пилососі в положення «АУТО» та знову натисніть кнопку бездротової активації на інструменті.

**ПРИМІТКА:** Пилосос вмикається та зупиняється із затримкою. Існує затримка, коли пилосос визначає перемикання інструмента в робочий режим.







**ПРИМІТКА:** Дальність передачі бездротового модуля змінюється в залежності від місця розташування й навколишніх умов.

**ПРИМІТКА:** Якщо на одному пилососі зареєстровано два або кілька інструментів, пилосос може ввімкнутися, навіть якщо курок вмикача не натиснуто, або кнопка пилососа може ввімкнутися, оскільки інший користувач використовує функцію бездротової активації.

## Опис стану індикатора бездротової активації

### ► Рис.65: 1. Індикатор бездротової активації

Індикатор бездротової активації відображає стан функції бездротової активації. Значення стану індикатора див. у таблиці нижче.

Стан	Індикатор бездротової активації				Опис
	Колір	 Увімк.	 Блимає	Тривалість	
Режим очікування	Синій			2 години	Доступна бездротова активація пилососа. Індикатор автоматично вимкнеться, якщо протягом 2 годин не буде виконуватися ніяка операція.
				Коли інструмент працює.	Доступна бездротова активація пилососа, інструмент працює.
Реєстрація інструмента	Зелений			20 секунд	Готовність до реєстрації інструмента. Очікування реєстрації пилососом.
				2 секунди	Реєстрація інструмента завершена. Індикатор бездротової активації починає блимати синім кольором.
Скасування реєстрації інструмента	Червоний			20 секунд	Готовність до скасування реєстрації інструмента. Очікування скасування пилососом.
				2 секунди	Скасування реєстрації інструмента завершено. Індикатор бездротової активації починає блимати синім кольором.
Інше	Червоний			3 секунди	На бездротовий модуль подається живлення, функція бездротової активації вмикається.
		Вимк.	—	—	Бездротова активація пилососа вимкнена.

## Скасування реєстрації інструмента для пилососа

Виконайте наступні дії, щоб скасувати реєстрацію інструмента для пилососа.

1. Уставте акумулятори в пилосос та інструмент.
2. Установіть перемикач режиму очікування на пилососі в положення «АУТО».

► Рис.66: 1. Перемикач режиму очікування

3. Натискайте кнопку бездротової активації на пилососі протягом 6 секунд. Індикатор бездротової активації почне блимати зеленим, а потім загориться червоним кольором. Після цього так само натисніть кнопку бездротової активації на інструменті.

► Рис.67: 1. Кнопка бездротової активації  
2. Індикатор бездротової активації

Якщо скасування виконано успішно, індикатори бездротової активації світлитимуться червоним світлом протягом 2 секунд, а потім почнуть блимати синім кольором.

**ПРИМІТКА:** Індикатори бездротової активації припинять блимати червоним кольором за 20 секунд. Натисніть кнопку бездротової активації на інструменті, поки блимає індикатор бездротової активації на пилососі. Якщо індикатор бездротової активації не блимає червоним, короткочасно натисніть кнопку бездротової активації, а потім знову натисніть і втримуйте її.

## Усунення несправностей функції бездротової активації

Перш ніж звертатися з приводу ремонту інструмента, проведіть його перевірку самостійно. У разі виявлення несправності, яку не описано в цьому посібнику, не намагайтеся розібрати інструмент. Натомість зверніться до авторизованих сервісних центрів Makita та використовуйте для ремонту тільки запасні частини виробництва компанії Makita.

Стан відхилення від норми	Можлива причина (несправність)	Спосіб виправлення
Індикатор бездротової активації не світиться або не блимає.	Бездротовий модуль не встановлено в інструмент. Бездротовий модуль встановлено в інструмент неправильно.	Установіть бездротовий модуль.
	Контакти бездротового модуля або роз'єм забруднені.	Акуратно витріть пил і бруд на контактах бездротового модуля та очистіть роз'єм.
	Кнопку бездротової активації на інструменті не натиснуто.	Натисніть і відпустіть кнопку бездротової активації на інструменті.
	Перемикач режиму очікування на пілососі не встановлено в положення «АУТО».	Установіть перемикач режиму очікування на пілососі в положення «АУТО».
	Відсутнє живлення	Підключіть інструмент і пілосос до джерела живлення.
Неможливо успішно закінчити реєстрацію інструмента або скасувати реєстрацію інструмента.	Бездротовий модуль не встановлено в інструмент. Бездротовий модуль встановлено в інструмент неправильно.	Установіть бездротовий модуль.
	Контакти бездротового модуля або роз'єм забруднені.	Акуратно витріть пил і бруд на контактах бездротового модуля та очистіть роз'єм.
	Перемикач режиму очікування на пілососі не встановлено в положення «АУТО».	Установіть перемикач режиму очікування на пілососі в положення «АУТО».
	Відсутнє живлення	Підключіть інструмент і пілосос до джерела живлення.
	Неправильна операція	Натисніть і відпустіть кнопку бездротової активації, а потім знову виконайте процедуру реєстрації або скасування реєстрації.
	Інструмент і пілосос знаходяться далеко один від одного (за межами радіуса дії передавача).	Розташуйте інструмент і пілосос ближче один до одного. Максимальна відстань передачі складає близько 10 м, проте вона залежить від конкретних умов експлуатації.
	Перед завершенням реєстрації інструмента / скасуванням: – було натиснуто курок вмикача на інструменті; або – на інструменті було натиснуто кнопку ввімкнення пілососа; або – було натиснуто кнопку живлення на пілососі.	Натисніть і відпустіть кнопку бездротової активації, а потім знову виконайте процедуру реєстрації або скасування реєстрації.
	Процедура реєстрації для інструмента або пілососа не завершена.	Виконайте дії з реєстрації, які стосуються інструмента й пілососа, в один часовий проміжок.
	Радіоперешкоди від інших приладів, які генерують радіохвилі високої потужності.	Тримайте інструмент і пілосос подальше від приладів, як-от пристроїв Wi-Fi і мікрохвильові печі.



Стан відхилення від норми	Можлива причина (несправність)	Спосіб виправлення
Пилосос не вмикається під час роботи інструмента.	Бездротовий модуль не встановлено в інструмент. Бездротовий модуль встановлено в інструмент неправильно.	Установіть бездротовий модуль.
	Контакти бездротового модуля або роз'єм забруднені.	Акуратно витріть пил і бруд на контактах бездротового модуля та очистіть роз'єм.
	Кнопку бездротової активації на інструменті не натиснуто.	Натисніть і відпустіть кнопку бездротової активації та переконайтеся, що індикатор бездротової активації блимає синім кольором.
	Перемикач режиму очікування на пилососі не встановлено в положення «АУТО».	Установіть перемикач режиму очікування на пилососі в положення «АУТО».
	У пилососі зареєстровано понад 10 інструментів.	Виконайте реєстрацію інструмента ще раз. Якщо в пилососі зареєстровано понад 10 інструментів, дані про інструмент, який було зареєстровано найпершим, будуть автоматично вилучені.
	Пилососу не вдалося успішно зареєструвати інструменти.	Відновіть процедуру реєстрації інструмента.
	Пилосос вилучив дані про реєстрацію всіх інструментів.	Виконайте реєстрацію інструмента ще раз.
	Відсутнє живлення	Підключіть інструмент і пилосос до джерела живлення.
	Інструмент і пилосос знаходяться далеко один від одного (за межами радіуса дії передавача).	Розташуйте інструмент і пилосос ближче один до одного. Максимальна відстань передачі складає близько 10 м, проте вона залежить від конкретних умов експлуатації.
	Радіоперешкоди від інших приладів, які генерують радіохвилі високої потужності.	Тримайте інструмент і пилосос подальше від приладів, як-от пристроїв Wi-Fi і мікрохвильові печі.
Пилосос працює, коли перемикачі інструмента не було активовано.	Інші користувачі застосовують функцію бездротової активації пилососа з їхніми інструментами.	Вимкніть за допомогою кнопки бездротову активацію інших інструментів або скасуйте їх реєстрацію.

## ТЕХНІЧНЕ ОБСЛУГОВУВАННЯ

**▲ ПОПЕРЕДЖЕННЯ:** Перед виконанням перевірки або обслуговування завжди перевіряйте, щоб інструмент був вимкнений, а касета з акумулятором була знята. Якщо касету з акумулятором не вийнято, а інструмент не вимкнено, це може призвести до серйозних травм через випадковий запуск інструмента.

**▲ ПОПЕРЕДЖЕННЯ:** Завжди контролюйте гострість і чистоту диска пили для забезпечення максимально ефективною та безпечною роботи інструмента. Різання тупим та/або брудним диском може призвести до віддачі та серйозних травм.

**УВАГА:** Ніколи не використовуйте газолін, бензин, розріджувач, спирт та подібні речовини. Їх використання може призвести до зміни кольору, деформації або появи тріщин.

Для забезпечення БЕЗПЕКИ та НАДІЙНОСТІ продукції, її ремонт, а також роботи з обслуговування або регулювання повинні виконуватись уповноваженими або заводськими сервісними центрами Makita із використанням запчастин виробництва компанії Makita.

## Порядок регулювання кута різання

Інструмент ретельно відрегульовано та налагоджено на заводі, але внаслідок грубого поводження налаштування могло бути порушено. Якщо ваш інструмент не налагоджено належним чином, виконайте наведені нижче дії.

### Косий кут

Поверніть ручку проти годинникової стрілки й підготуйте основу до використання функції упора-обмежувача за допомогою важеля розблокування. Після цього потрібно послабити гвинти, що фіксують покажчик і шкалу косоного кута.

► **Рис.68:** 1. Ручка 2. Важіль розблокування 3. Гвинт на покажчику 4. Гвинти на шкалі косоного кута 5. Шкала косоного кута

Переведіть поворотну основу в положення під кутом 0°, використовуючи функцію упора-обмежувача. Установіть бокову поверхню диска циркулярної пили перпендикулярно поверхні прямої планки за допомогою трикутної лінійки чи косинця. Утримуючи перпендикулярне положення, затягніть гвинти на шкалі косоного кута. Після цього сумістіть покажчик із положенням 0° на шкалі косоного кута й затягніть гвинт покажчика.

► **Рис.69:** 1. Трикутна лінійка 2. Покажчик

## Кут нахилу

### Кут нахилу 0°

Посуньте каретку до напрямних планок і заблокуйте її від ковзання стопорним штифтом. Опустіть каретку до упору й заблокуйте її в опущеному положенні стопорним штифтом. Поверніть регулятор на рукоятці проти годинникової стрілки, після цього поверніть регульовальний болт 0° на два-три оберти проти годинникової стрілки, щоб нахилити диск циркулярної пили вправо.

► **Рис.70:** 1. Регулятор на рукоятці 2. Болт регулювання 0° 3. Гвинт на покажчику

Обережно встановіть бокову поверхню диска циркулярної пили перпендикулярно верхній поверхні поворотної основи за допомогою трикутної лінійки, косинця тощо, повернувши болт регулювання 0° за годинниковою стрілкою. Потім міцно затягніть регулятор на рукоятці, щоб зафіксувати встановлений кут 0°.

► **Рис.71:** 1. Трикутна лінійка 2. Диск пили  
3. Верхня поверхня поворотної основи

Ще раз переконайтеся в тому, що бік диска циркулярної пили розташовано під прямим кутом до верхньої поверхні поворотної основи. Відпустіть гвинт на покажчику, сумістіть покажчик із положенням 0° на шкалі кута нахилу й затягніть гвинт.

### Кут нахилу 45°

**УВАГА:** Перш ніж регулювати кут нахилу 45°, завершіть регулювання кута нахилу 0°.

Послабте регулятор на рукоятці й повністю нахиліть каретку на бік, який необхідно перевірити. Переконайтеся, що покажчик указує на положення 45° на шкалі кута нахилу.

► **Рис.72:** 1. Регулятор на рукоятці

Якщо покажчик не вказує на положення 45°, сумістіть його з положенням 45°, повертаючи болт регулювання 45°.

► **Рис.73:** 1. Правий болт регулювання 45° 2. Лівий болт регулювання 45°

## Очищення скла лампи

**УВАГА:** Не знімайте гвинт, яким кріпиться лінза. Якщо лінза не виймається, відпустіть гвинт далі.

**УВАГА:** Для очищення скла лампи підсвічування протріть її сухою тканиною. Будьте обережні, щоб не подряпати скло лампи підсвічування, оскільки це погіршить освітлювання.

**УВАГА:** Забороняється застосовувати розчинники або будь-які м'яючі засоби на нафтовій основі для чистки скла.

Якщо скло лампи забрудниться, важко буде побачити лінію світлодіодної лампи. Регулярно очищайте скло.

Зніміть касету з акумулятором. Послабте гвинт і витягніть лінзу. Обережно очистите лінзу вологою м'якою тканиною.

► **Рис.74:** 1. Гвинт 2. Лінза

## Після використання

Після використання слід витерти стружку та пил, який прилип до інструмента, ганчіркою або чимось подібним. Підтримуйте захисний кожух диска в чистому стані згідно з вказівками, наведеними вище в розділі, що стосується захисного кожуха диска. Змашуйте поверхні ковзання мастилом, щоб запобігти появі іржі.

## ДОДАТКОВЕ ПРИЛАДДЯ

**▲ПОПЕРЕДЖЕННЯ:** Це приладдя або насадки Makita рекомендується використовувати з вашим інструментом Makita, зазначеним у цій інструкції. Використання будь-якого іншого приладдя або насадок може призвести до серйозних травм.

**▲ПОПЕРЕДЖЕННЯ:** Використовуйте приладдя або насадки Makita виключно за призначенням. Неналежне використання приладдя або насадок може призвести до серйозних травм.

У разі необхідності отримати допомогу в більш детальному ознайомленні з оснащенням звертайтеся до місцевого сервісного центру Makita.

- Диски пили з твердосплавною ріжучою пластикою на кінці
- Вертикальний затиск
- Горизонтальний затиск
- Мішок для пилу
- Трикутна лінійка
- Шестигранний ключ
- Бездротовий модуль
- Комплекти стійок
- Оригінальний акумулятор та зарядний пристрій Makita

**ПРИМІТКА:** Деякі елементи списку можуть входити до комплекту інструмента як стандартне приладдя. Вони можуть відрізнятися залежно від країни.

## ТЕХНИЧЕСКИЕ ХАРАКТЕРИСТИКИ

Модель:	LS002G
Диаметр диска	216 мм
Диаметр отверстия (шпинделя), в зависимости от страны	15,88 мм / 25,4 мм / 30 мм
Макс. толщина распила для пильного диска	2,4 мм
Макс. угол резки	влево 60°, вправо 60°
Макс. угол скоса	влево 48°, вправо 48°
Число оборотов без нагрузки	4 800 мин <sup>-1</sup>
Размеры (Д x Ш x В)	702 мм x 551 мм x 557 мм
Номинальное напряжение	36 В – 40 В пост. тока макс.
Масса нетто	16,4 - 17,0 кг

- Благодаря нашей постоянно действующей программе исследований и разработок указанные здесь технические характеристики могут быть изменены без предварительного уведомления.
- Технические характеристики могут различаться в зависимости от страны.
- Масса может отличаться в зависимости от дополнительного оборудования. Обратите внимание, что блок аккумулятора также считается дополнительным оборудованием. В таблице представлены комбинации с наибольшим и наименьшим весом в соответствии с процедурой EPTA 01/2014.

### Подходящий блок аккумулятора и зарядное устройство

Блок аккумулятора	BL4025 / BL4040
Зарядное устройство	DC40RA

- В зависимости от региона проживания некоторые блоки аккумуляторов и зарядные устройства, перечисленные выше, могут быть недоступны.




**⚠ ОСТОРОЖНО:** Используйте только перечисленные выше блоки аккумуляторов и зарядные устройства. Использование других блоков аккумуляторов и зарядных устройств может привести к травме и/или пожару.


### Макс. размеры распиливаемой детали (В x Ш) с диском диаметром 216 мм


Угол резки	Угол скоса		
	45° (левый)	0°	45° (правый)
0°	50 мм x 312 мм	70 мм x 312 мм	30 мм x 312 мм
45° (влево и вправо)	50 мм x 220 мм	70 мм x 220 мм	30 мм x 220 мм
60° (влево и вправо)	–	70 мм x 155 мм	–


### Символы

Ниже приведены символы, которые могут использоваться для обозначения оборудования. Перед использованием убедитесь в том, что вы понимаете их значение.

-  Прочитайте руководство по эксплуатации.
-  Для предотвращения травм от разлетающихся осколков после распиливания держите головку пилы опущенной вниз до тех пор, пока полотно не остановится полностью.
-  При выполнении скользящего распила сначала полностью вытяните каретку и нажмите ручку, затем подвиньте каретку к направляющей линейке.

 При выполнении резки со скосом сначала ослабьте регулятор на рукоятке и наклоните каретку под необходимым углом, после чего затяните регулятор на рукоятке.

 При наклоне лезвия за пределы диапазона 0° - 45° поверните рычаг разблокировки на угол скоса 48° по часовой стрелке.

 Держите руки и пальцы на расстоянии от полотна.

 Надевайте защитные очки.

 Не смотрите на работающую лампу.



Только для стран ЕС  
Не выбрасывайте электрооборудование или аккумуляторы вместе с бытовым мусором!  
В соответствии с европейскими директивами об утилизации электрического и электронного оборудования, о батареях и аккумуляторах, а также использованных батареях и аккумуляторах и их применении в соответствии с местными законами электрооборудование, батареи и аккумуляторы, срок эксплуатации которых истек, должны утилизироваться отдельно и передаваться для утилизации на предприятие, соответствующее применяемым правилам охраны окружающей среды.

## Назначение

Данный инструмент предназначен для точного распиливания деревянных деталей под прямым углом и под другими углами.  
Используйте пилу только для резки древесины, алюминия или подобных материалов.

## Шум

Типичный уровень взвешенного звукового давления (A), измеренный в соответствии с EN62841-3-9:  
Уровень звукового давления ( $L_{pA}$ ): 89 дБ (A)  
Уровень звуковой мощности ( $L_{WA}$ ): 100 дБ (A)  
Погрешность (K): 3 дБ (A)

**ПРИМЕЧАНИЕ:** Заявленное значение распространения шума измерено в соответствии со стандартной методикой испытаний и может быть использовано для сравнения инструментов.

**ПРИМЕЧАНИЕ:** Заявленное значение распространения шума можно также использовать для предварительных оценок воздействия.

**⚠ОСТОРОЖНО:** Используйте средства защиты слуха.

**⚠ОСТОРОЖНО:** Распространение шума во время фактического использования электроинструмента может отличаться от заявленного значения в зависимости от способа применения инструмента и в особенности от типа обрабатываемой детали.

**⚠ОСТОРОЖНО:** Обязательно определите меры безопасности для защиты оператора, основанные на оценке воздействия в реальных условиях использования (с учетом всех этапов рабочего цикла, таких как выключение инструмента, работа без нагрузки и включение).

## Декларация о соответствии ЕС

*Только для европейских стран*

Декларация о соответствии ЕС включена в руководство по эксплуатации (Приложение А).

# МЕРЫ БЕЗОПАСНОСТИ

## Общие рекомендации по технике безопасности для электроинструментов

**⚠ОСТОРОЖНО:** Ознакомьтесь со всеми представленными инструкциями по технике безопасности, указаниями, иллюстрациями и техническими характеристиками, прилагаемыми к данному электроинструменту. Несоблюдение каких-либо инструкций, указанных ниже, может привести к поражению электрическим током, пожару и/или серьезной травме.

## Сохраните брошюру с инструкциями и рекомендациями для дальнейшего использования.

Термин "электроинструмент" в предупреждениях относится ко всему инструменту, работающему от сети (с проводом) или на аккумуляторах (без провода).

## Инструкции по технике безопасности для торцовочных пил

1. Торцовочные пилы предназначены для распиливания дерева или древесноподобных изделий и не предназначены для работы с абразивными отрезными дисками для резки изделий из черного металла, таких как брусья, прутья, стержни и т.п. Абразивный порошок приводит к заклиниванию нижнего щитка. Искры от абразивной резки обжигают нижний щиток, вставную режущую пластину и другие пластиковые компоненты.
2. По возможности используйте тиски для закрепления детали. Если вы держите распиливаемую деталь в руках, то следите, чтобы они были на расстоянии не менее 100 мм с каждой стороны от пильного диска. Не используйте эту пилу для распиливания деталей, которые в силу их малых размеров невозможно надежно закрепить в тисках или удержать руками. Близкое положение рук по отношению к пильному диску повышает риск получения травмы от контакта с диском.
3. Распиливаемую деталь необходимо прочно закрепить или крепко неподвижно держать по отношению к ограде и столу. Не подавайте деталь на пильный диск и не выполняйте каких-либо действий одними руками. Незакрепленные и подвижные детали могут быть отброшены диском, вращающимся с высокой частотой, что может привести к травмам.
4. Вдавливайте пилу для резания детали. Не тяните пилу для резания детали. Чтобы сделать распил детали, установите головку пилы над деталью, не разрезая ее, запустите мотор, вдавите головку и затем всю пилу. Если тянуть пилу, то пильный диск поднимется кверху детали и резко сорвется к сторону оператора.

5. **Никогда не оставляйте руку на намеченной линии распила ни за, ни перед пильным диском.** Удерживание детали "крест-накрест", т.е. левой рукой с правой стороны или наоборот крайне опасно.
  - ▶ **Рис.1**
  6. **Не заносите руку за ограду на расстоянии менее 100 мм от каждой стороны пильного диска для того чтобы убрать опилки, или по любой другой причине, пока диск вращается.** Вы можете неправильно оценить близость вращающегося пильного диска по отношению к вашей руке, и это может стать причиной серьезной травмы.
  7. **Перед распиливанием осмотрите деталь. Если деталь изогнута или перекручена, зажмите ее внешней изогнутой стороной к ограде.** Убедитесь, что вдоль линии распила между деталью, оградой и столом нет зазоров. Изогнутые или перекрученные детали могут выкручиваться и смещаться, что приводит к заклиниванию пильного диска во время резания. В детали не должно быть гвоздей и других посторонних предметов.
  8. **Перед использованием пилы уберите со стола все инструменты, опилки и т.п. Оставьте только деталь.** Мелкий мусор и частички дерева или другие предметы при контакте с вращающимся диском могут быть отброшены на высокой скорости.
  9. **За один раз возможно распиливание только одной детали.** Детали, сложенные в стопку, невозможно закрепить должным образом, и они могут застрять на диске или смещаться по ходу резания.
  10. **Перед использованием торцовочной пилы убедитесь, что она установлена на твердой ровной поверхности.** Твердая и ровная поверхность исключает риск дестабилизации торцовочной пилы.
  11. **Составьте план работы.** Каждый раз, изменяя угол скоса или торца, убеждайтесь в правильной установке ограды для поддержки детали, при которой она не будет мешать пильному диску и защитной системе. Не включая инструмент и без детали на столе, проведите пильный диск вдоль намеченной линии распила, чтобы убедиться в отсутствии преград и риска повреждения ограды.
  12. **Обеспечьте надежную поддержку в виде удлинителей стола, козел и т.п. для детали, которая шире или длиннее поверхности стола.** Детали, которые длиннее или шире стола торцовочной пилы, без надежной опоры могут опрокидываться. При опрокидывании обрезков или детали возможно отбрасывание от вращающегося диска или поднятие нижнего щитка.
  13. **Не просите других людей поддерживать детали.** Неустойчивая опора детали может привести к застреванию диска или смещению детали во время резания, что притянет вас и вашего помощника к вращающемуся диску.
  14. **Обрезок не должен быть каким-либо образом зажат или прижат к вращающемуся пильному диску.** Если обрезок привязан упором для установки длины, то он может быть заклинен на диске и с силой отброшен.
  15. **Используйте тиски или специальную подставку для обеспечения должной опоры крупным деталям, таким как прутья или трубы.** Путь могут скатываться во время разрезания, из-за чего диск оставляет зацепы и притягивает их вместе с рукой к себе.
  16. **Перед тем как опустить диск на деталь, дождитесь, чтобы он набрал полную скорость вращения.** Эта мера позволит избежать риска отбрасывания детали.
  17. **Если деталь или диск застревает, выключите торцовочную пилу.** Дождитесь полной остановки всех подвижных деталей и отключите инструмент от источника питания и/или извлеките аккумулятор. Затем приступайте к извлечению застрявшего материала. Если продолжить распиливание застрявшей детали, может произойти потеря управления или может быть нанесен вред торцовочной пиле.
  18. **По завершении распиливания выключите устройство, приведите головку пилу в нижнее положение и дождитесь остановки вращения диска, прежде чем забирать обрезок.** Подносить руку к диску, вращающемуся по инерции, опасно.
  19. **При выполнении неполного распила или при выключении устройства крепко держите рукоятку, пока головка пилы не опустится.** Торможение пилы может привести к резкому опусканию головки, что, в свою очередь, может привести к травмам.
  20. **Разрешается использовать только пильные диски с диаметром, соответствующим указанному на инструменте или в руководстве.** Применение диска неверного размера может препятствовать надлежащей защите диска или мешать работе защитного кожуха, что, в свою очередь, может стать причиной серьезных травм.
  21. **Используйте только пильные диски, маркировка максимальной скорости которых равна или выше скорости, указанной на инструменте.**
  22. **Используйте пилу только для резки древесины, алюминия или подобных материалов.**
  23. **(Только для европейских стран) Используйте диски, соответствующие EN847-1.**
- Дополнительные инструкции**
1. **Ограничьте доступ детей к мастерской с помощью замка.**
  2. **Не становитесь ногами на инструмент.** Опрокидывание инструмента или непреднамеренный контакт с режущим узлом могут привести к серьезным травмам.
  3. **Никогда не оставляйте работающий инструмент без присмотра.** Выключайте питание. Не отходите от инструмента до его полной остановки.
  4. **Не эксплуатируйте пилу без установленных ограждений.** Перед каждым использованием проверяйте ограждение полотна. Не эксплуатируйте пилу, если ограждение полотна не перемещается свободно и мгновенно не закрывается. Запрещается фиксировать или привязывать ограждение в открытом положении.

5. Держите руки на расстоянии от направления движения пильного диска. Избегайте контакта с любым диском, вращающимся по инерции. Он все еще может причинить серьезные травмы.
6. Чтобы снизить риск получения травмы, каждый раз по завершении поперечного распила возвращайте каретку до упора в заднее положение.
7. Перед переноской инструмента обязательно закрепите все подвижные части.
8. Стопорный штифт или стопорный рычаг, блокирующий головку пилы в нижнем положении, предназначен только для переноски и хранения, а не для каких-либо операций резки.
9. Перед эксплуатацией тщательно осмотрите диск и убедитесь в отсутствии трещин или повреждений. Немедленно замените треснувший или поврежденный диск. Смола и древесный пек, затвердевшие на пильных дисках, снижают производительность пилы и повышают потенциальный риск отдачи. Содержите пилу в чистоте. Для этого снимайте ее с инструмента и очищайте растворителем смолы и древесного пека, горячей водой или керосином. Не используйте бензин для очистки диска.
10. Во время выполнения скользящего распила может произойти ОТДАЧА. ОТДАЧА происходит, если диск заедает во время распила детали и резко отскакивает в сторону оператора. Это может привести к потере управления и серьезным травмам. Если диск заедает во время распила, немедленно прекратите работу и выключите устройство.
11. Пользуйтесь только фланцами, предназначенными для данного инструмента.
12. Следите за тем, чтобы не повредить шпindel, фланцы (особенно монтажную поверхность) или болт. Повреждение этих деталей может привести к поломке диска.
13. Убедитесь в прочном креплении поворотного основания и в его неподвижности во время выполнения работ. С помощью отверстий в основании прикрепите пилу к устойчивой рабочей поверхности или верстаку. НИКОГДА не используйте инструмент в неудобном для оператора положении.
14. Перед включением выключателя убедитесь в том, что блокировка вала снята.
15. Следите за тем, чтобы диск не касался поворотного основания в самом нижнем положении.
16. Крепко держите ручку. Помните, что во время запуска и остановки пила немного движется вверх или вниз.
17. Перед включением убедитесь в том, что полотно не касается обрабатываемой детали.
18. Перед использованием инструмента на детали дайте ему немного поработать вхолостую. Убедитесь в отсутствии вибрации или биения, которые могут свидетельствовать о неправильной установке или дисбалансе лезвия.
19. Немедленно прекратите работу, если вы заметили какие-либо отклонения.
20. Не пытайтесь заблокировать триггерный переключатель во включенном положении.
21. Обязательно используйте принадлежности, рекомендованные в данном руководстве. Использование несоответствующих принадлежностей, таких как, например, абразивные круги, может привести к травме.
22. Некоторые материалы могут содержать токсичные химические вещества. Примите соответствующие меры предосторожности, чтобы избежать вдыхания или контакта с кожей таких веществ. Соблюдайте требования, указанные в паспорте безопасности материала.
23. Не используйте с этим инструментом проводной источник питания.

Дополнительные правила техники безопасности, касающиеся работающей лампы

1. Не смотрите непосредственно на свет или источник света.

## СОХРАНИТЕ ДАННЫЕ ИНСТРУКЦИИ.

**▲ ОСТОРОЖНО: НЕ ДОПУСКАЙТЕ**, чтобы удобство или опыт эксплуатации данного устройства (полученный от многократного использования) доминировали над строгим соблюдением правил техники безопасности при обращении с этим устройством. **НЕПРАВИЛЬНОЕ ИСПОЛЬЗОВАНИЕ** инструмента или несоблюдение правил техники безопасности, указанных в данном руководстве, может привести к тяжелой травме.

## Важные правила техники безопасности для работы с аккумуляторным блоком

1. Перед использованием аккумуляторного блока прочитайте все инструкции и предупреждающие надписи на (1) зарядном устройстве, (2) аккумуляторном блоке и (3) инструменте, работающем от аккумуляторного блока.
2. Не разбирайте блок аккумулятора и не меняйте его конструкцию. Это может привести к пожару, перегреву или взрыву.
3. Если время работы аккумуляторного блока значительно сократилось, немедленно прекратите работу. В противном случае, может возникнуть перегрев блока, что приведет к ожогам и даже к взрыву.
4. В случае попадания электролита в глаза промойте их обильным количеством чистой воды и немедленно обратитесь к врачу. Это может привести к потере зрения.
5. Не замыкайте контакты аккумуляторного блока между собой:
  - (1) Не прикасайтесь к контактам какими-либо токопроводящими предметами.
  - (2) Не храните аккумуляторный блок в контейнере вместе с другими металлическими предметами, такими как гвозди, монеты и т. п.
  - (3) Не допускайте попадания на аккумуляторный блок воды или дождя.

- Замыкание контактов аккумуляторного блока между собой может привести к возникновению большого тока, перегреву, возможному ожогу и даже поломке блока.
6. Не храните и не используйте инструмент и аккумуляторный блок в местах, где температура может достигать или превышать 50 °C (122 °F).
  7. Не бросайте аккумуляторный блок в огонь, даже если он сильно поврежден или полностью вышел из строя. Аккумуляторный блок может взорваться под действием огня.
  8. Запрещено вбивать гвозди в блок аккумулятора, резать, ломать, бросать, ронять блок аккумулятора или ударять его твердым предметом. Это может привести к пожару, перегреву или взрыву.
  9. Не используйте поврежденный аккумуляторный блок.
  10. Входящие в комплект литий-ионные аккумуляторы должны эксплуатироваться в соответствии с требованиями законодательства об опасных товарах.  
При коммерческой транспортировке, например, третьей стороной или экспедитором, необходимо нанести на упаковку специальные предупреждения и маркировку.  
В процессе подготовки устройства к отправке обязательно проконсультируйтесь со специалистом по опасным материалам. Также соблюдайте местные требования и нормы. Они могут быть строже.  
Закройте или закрепите разомкнутые контакты и упакуйте аккумулятор так, чтобы он не перемещался по упаковке.
  11. Для утилизации блока аккумулятора извлеките его из инструмента и утилизируйте безопасным способом. Выполняйте требования местного законодательства по утилизации аккумуляторного блока.
  12. Используйте аккумуляторы только с продукцией, указанной Makita. Установка аккумуляторов на продукцию, не соответствующую требованиям, может привести к пожару, перегреву, взрыву или утечке электролита.
  13. Если инструментом не будут пользоваться в течение длительного периода времени, извлеките аккумулятор из инструмента.
  14. Во время и после использования блок аккумулятора может нагреваться, что может стать причиной ожогов или низкотемпературных ожогов. Будьте осторожны при обращении с горячим блоком аккумулятора.
  15. Не прикасайтесь к контактам инструмента сразу после использования, поскольку они могут быть достаточно горячими, чтобы вызвать ожоги.
  16. Не допускайте, чтобы обломки, пыль или земля прилипали к контактам, отверстиям и пазам на блоке аккумулятора. Это может привести к снижению эксплуатационных параметров, поломке инструмента или блока аккумулятора.

17. Если инструмент не рассчитан на использование вблизи высоковольтных линий электропередач, не используйте блок аккумулятора вблизи высоковольтных линий электропередач. Это может привести к неисправности, поломке инструмента или блока аккумулятора.
18. Храните аккумулятор в недоступном для детей месте.

## СОХРАНИТЕ ДАННЫЕ ИНСТРУКЦИИ.

**▲ВНИМАНИЕ:** Используйте только фирменные аккумуляторные батареи Makita. Использование аккумуляторных батарей, не произведенных Makita, или батарей, которые были подвергнуты модификациям, может привести к взрыву аккумулятора, пожару, травмам и повреждению имущества. Это также автоматически аннулирует гарантию Makita на инструмент и зарядное устройство Makita.

## Советы по обеспечению максимального срока службы аккумулятора

1. Заряжайте блок аккумуляторов перед его полной разрядкой. Обязательно прекратите работу с инструментом и зарядите блок аккумуляторов, если вы заметили снижение мощности инструмента.
2. Никогда не подзаряжайте полностью заряженный блок аккумуляторов. Перезарядка сокращает срок службы аккумулятора.
3. Заряжайте блок аккумуляторов при комнатной температуре в 10 - 40 °C (50 - 104 °F). Перед зарядкой горячего блока аккумуляторов дайте ему остыть.
4. Если блок аккумулятора не используется, извлеките его из инструмента или зарядного устройства.
5. Зарядите ионно-литиевый аккумуляторный блок, если вы не будете пользоваться инструментом длительное время (более шести месяцев).

### Важные правила техники безопасности для работы с беспроводным блоком

1. Не разбирайте и не меняйте конструкцию беспроводного блока.
2. Храните беспроводной блок в недоступном для детей месте. При случайном проглатывании немедленно обратитесь к врачу.
3. Используйте беспроводной блок только с инструментами Makita.
4. Не подвергайте беспроводной блок воздействию дождя или влаги.
5. Не используйте беспроводной блок в тех местах, где температура превышает 50 °C.
6. Не используйте беспроводной блок в тех местах, где поблизости могут находиться медицинские инструменты, например, кардиостимуляторы.

7. Не используйте беспроводной блок в тех местах, где могут находиться автоматизированные устройства. При использовании автоматизированных устройств могут возникнуть сбои или ошибки.
8. Не используйте беспроводной блок в местах, где он может подвергаться воздействию высокой температуры, статического электричества или электрических помех.
9. Беспроводной блок может создавать электромагнитные поля (EMF), которые не представляют опасности для пользователя.
10. Беспроводной блок является точным инструментом. Не роняйте и не ударяйте беспроводной блок.
11. Не прикасайтесь к клемме беспроводного блока голыми руками или металлическими предметами.
12. Во время установки беспроводного блока обязательно вытащите аккумулятор из устройства.
13. Не открывайте крышку гнезда в таких местах, где в него может попасть пыль и вода. Входное отверстие гнезда всегда должно быть чистым.
14. Обязательно вставляйте беспроводной блок в правильном направлении.
15. Не нажимайте слишком сильно кнопку активации на беспроводном блоке и/или не нажимайте кнопку, используя объекты с острым краем.
16. Во время работы обязательно закрывайте крышку гнезда.
17. Не вытаскивайте беспроводной блок из гнезда, если на инструмент подано питание. Это может привести к неисправной работе беспроводного блока.
18. Не снимайте наклейку с беспроводного блока.
19. Не приклеивайте к беспроводному блоку никаких наклеек.
20. Не оставляйте беспроводной блок в таких местах, где может скапливаться статическое электричество или присутствовать электрические помехи.
21. Не оставляйте беспроводной блок в местах с высокой температурой, например на сиденье автомобиля в жару.
22. Не оставляйте беспроводной блок в местах, где присутствует пыль или порошок, или может образоваться коррозионный газ.
23. Внезапное изменение температуры может привести к образованию конденсата на беспроводном блоке. Не используйте беспроводной блок до тех пор, пока конденсат полностью не высохнет.
24. При чистке беспроводного блока аккуратно протрите его сухой мягкой тканью. Не используйте бензин, разбавитель, проводящую смазку или аналогичные материалы.
25. При хранении беспроводного блока поместите его в поставляемый футляр или в контейнер без статического электричества.
26. Не вставляйте в гнездо на инструменте никаких других устройств, кроме беспроводного блока Makita.
27. Не используйте инструмент с поврежденной крышкой гнезда. В гнездо может попасть вода, пыль и грязь, это может привести к неисправности.
28. Не тяните и/или не скручивайте крышку гнезда сильнее, чем это необходимо. Если крышка отсоединилась от инструмента, установите ее на место.
29. Замените крышку гнезда, если она утеряна или повреждена.

## СОХРАНИТЕ ДАННЫЕ ИНСТРУКЦИИ.

## ОПИСАНИЕ ДЕТАЛЕЙ

► Рис.2

1	Шестигранный ключ	2	Регулировочный болт (для максимальной режущей способности)	3	Регулировочный винт (для нижнего предельного положения)	4	Стопорный рычаг
5	Кнопка беспроводной активации	6	Лампа беспроводной активации	7	Кнопка пылесоса	8	Кнопка лампы
9	Ограждение диска	10	Планка для пропилов	11	Рукоятка (для поворотного основания)	12	Регулятор на рукоятке (для регулировки угла скоса)
13	Рычаг разблокировки (для поворотного основания)	14	Регулировочный болт (для поворотного основания)	15	Направляющие линейки	16	Указатель (для угла резки)
17	Шкала угла резки	18	Поворотное основание	19	Подоснова	20	Вертикальные тиски
21	Рычаг разблокировки (для правого угла скоса)	22	Болт регулировки 45° (для правого угла скоса)	23	Болт регулировки 0° (для угла скоса)	24	Направляющая для пыли
25	Шкала для правого угла скоса	26	Указатель (для правого угла скоса)	27	Стопорный штифт (для перемещения каретки)	28	Подвижная стойка
29	Крышка (для беспроводного блока)	-	-	-	-	-	-



### ► Рис.3

1	Отверстие для навесного замка	2	Триггерный переключатель	3	Кнопка разблокировки	4	Ручка для переноски
5	Блок аккумулятора	6	Шланг пылеудаления	7	Шкала для левого угла скоса	8	Указатель (для левого угла скоса)
9	Рычаг разблокировки (для угла скоса 48°)	10	Болт регулировки 45° (для левого угла скоса)	11	Фиксатор вала	12	Пылесборный мешок (когда заменен на шланг пылеудаления)

## УСТАНОВКА

### Установка на верстак

**▲ ОСТОРОЖНО:** Убедитесь, что инструмент не перемещается на опорной поверхности. Перемещение торцовочной пилы на опорной поверхности во время резки может привести к потере контроля над инструментом и получению тяжелой травмы.

1. Закрепите основание на ровной и прочной поверхности при помощи болтов. Это поможет предотвратить опрокидывание и возможные травмы.

► Рис.4: 1. Болт 2. Монтажное отверстие

2. Поверните регулировочный болт по часовой стрелке или против часовой стрелки, чтобы он соприкасался с поверхностью пола и обеспечил стабильность инструмента.

► Рис.5: 1. Регулировочный болт

### Установка шланга пылеудаления

Подсоедините шланг пылеудаления к инструменту, как показано на рисунке.

Убедитесь, что колено и рукав надежно подсоединены к отверстиям инструмента.

► Рис.6: 1. Шланг пылеудаления 2. Колено 3. Муфта 4. Отверстие

Для извлечения колена из места соединения надавите на колено, одновременно нажав и удерживая кнопку блокировки.

Чтобы извлечь муфту из отверстия, поверните ее по часовой стрелке и разъедините ее.

► Рис.7: 1. Колено 2. Кнопка блокировки 3. Муфта 4. Отверстие

## ОПИСАНИЕ РАБОТЫ

**▲ ОСТОРОЖНО:** Перед регулировкой или проверкой функций инструмента обязательно убедитесь, что он выключен и его аккумуляторный блок снят. Несоблюдение этого требования может стать причиной тяжелой травмы из-за случайного включения инструмента.

### Установка или снятие блока аккумулятора

**▲ ВНИМАНИЕ:** Обязательно выключайте инструмент перед установкой и извлечением аккумуляторного блока.

**▲ ВНИМАНИЕ:** При установке и извлечении аккумуляторного блока крепко удерживайте инструмент и аккумуляторный блок. Если не соблюдать это требование, они могут выскользнуть из рук, что приведет к повреждению инструмента, аккумуляторного блока и травмированию оператора.

► Рис.8: 1. Красный индикатор 2. Кнопка 3. Блок аккумулятора

Для снятия аккумуляторного блока нажмите кнопку на лицевой стороне и извлеките блок.

Для установки блока аккумулятора совместите выступ блока аккумулятора с пазом в корпусе и задвиньте его на место. Устанавливайте блок до упора так, чтобы он зафиксировался на месте с небольшим щелчком. Если вы можете видеть красный индикатор на верхней части клавиши, блок аккумулятора не полностью зафиксирован на месте.

**▲ ВНИМАНИЕ:** Обязательно устанавливайте блок аккумулятора до конца, чтобы красный индикатор не был виден. В противном случае блок аккумулятора может выпасть из инструмента и нанести травму вам или другим людям.

**▲ ВНИМАНИЕ:** Не прилагайте чрезмерных усилий при установке аккумуляторного блока. Если блок не двигается свободно, значит он вставлен неправильно.

### Система защиты инструмента/аккумулятора

На инструменте предусмотрена система защиты инструмента/аккумулятора. Она автоматически отключает питание двигателя для продления срока службы инструмента и аккумулятора. Инструмент автоматически остановится во время работы в следующих случаях:

## Защита от перегрузки

Если при текущем режиме эксплуатации инструмент/аккумулятор будет потреблять слишком большое количество тока, произойдет автоматический останов. В этом случае выключите инструмент и прекратите работу, из-за которой произошла перегрузка инструмента. Затем включите инструмент для перезапуска.

## Защита от перегрева

При перегреве инструмента/аккумулятора инструмент останавливается автоматически. В этом случае дайте инструменту/аккумулятору остыть перед повторным включением.










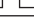






## Защита от переразрядки

При истощении заряда аккумулятора инструмент автоматически останавливается. Если устройство не работает даже после нажатия переключателей, снимите аккумуляторы с инструмента и зарядите их.

## Индикация оставшегося заряда аккумулятора

Нажмите кнопку проверки на аккумуляторном блоке для проверки заряда. Индикаторы загорятся на несколько секунд.

► **Рис.9:** 1. Индикаторы 2. Кнопка проверки

Индикаторы			Уровень заряда
 Горит	 Выкл.	 Мигает	
			от 75 до 100%
			от 50 до 75%
			от 25 до 50%
			от 0 до 25%
			Зарядите аккумуляторную батарею.
  ↑ ↓  			Возможно, аккумуляторная батарея неисправна.

**ПРИМЕЧАНИЕ:** В зависимости от условий эксплуатации и температуры окружающего воздуха индикация может незначительно отличаться от фактического значения.

**ПРИМЕЧАНИЕ:** Первая (дальняя левая) индикаторная лампа будет мигать во время работы защитной системы аккумулятора.

## Блокировка ручки

**⚠ВНИМАНИЕ:** Обязательно держите ручку при разблокировке стопорного штифта. При несоблюдении этого требования резкое движение рукоятки вверх может привести к травме.

Перед поставкой инструмента ручка блокируется стопорным штифтом в нижнем положении. Чтобы разблокировать ручку, потяните стопорный штифт и поверните его на 90°, слегка опустив ручку.

► **Рис.10:** 1. Положение блокировки 2. Положение разблокировки 3. Стопорный штифт

## Блокировка движения

Потяните стопорный штифт и поверните его на 90° в положение разблокировки, чтобы каретка двигалась свободно. Чтобы заблокировать скольжение каретки, давите на каретку в направлении штанги, пока она не остановится, и верните стопорный штифт в положение блокировки.

► **Рис.11:** 1. Положение блокировки 2. Положение разблокировки 3. Стопорный штифт 4. Штанга

## Ограждение диска

**⚠ОСТОРОЖНО:** Запрещается ломать или снимать ограждение режущего диска или пружину, соединенную с ограждением. Открытый диск, в случае поломки ограждения, может стать причиной тяжелых травм во время работы.

**⚠ОСТОРОЖНО:** Запрещается пользоваться инструментом, если ограждение диска или пружина повреждены, неисправны или сняты. Эксплуатация инструмента с поврежденным, неисправным или снятым ограждением может привести к тяжелой травме.

**⚠ВНИМАНИЕ:** В целях безопасности обязательно поддерживайте ограждение диска в хорошем состоянии. Немедленно прекратите работу при наличии любых неисправностей ограждения диска. Убедитесь в возвратном действии ограждения под нагрузкой пружины.

При опускании ручки ограждение режущего диска поднимается автоматически. Ограждение подпружинено, поэтому после окончания распиливания и подъема ручки оно возвращается в исходное положение.

► **Рис.12:** 1. Ограждение диска

## Очистка

При загрязнении прозрачного ограждения диска или налипании на него стружки, когда диск и/или обрабатываемую деталь больше не видно, извлеките блок аккумулятора и тщательно очистите ограждение влажной тряпкой. Для очистки пластикового ограждения не используйте растворители или очистители на основе бензина. Они могут повредить ограждение. Для подготовки к уборке следуйте приведенным пошаговым инструкциям.

1. Убедитесь, что инструмент выключен, а блок аккумулятора извлечен.
  2. Поверните болт с внутренним шестигранником против часовой стрелки, используя имеющийся шестигранный ключ и удерживая центральную крышку.
  3. Поднимите ограждение диска и центральную крышку.
  4. По окончании очистки верните центральную крышку в исходное положение и затяните болт с внутренним шестигранником, выполняя указанные выше шаги в обратной последовательности.
  5. Обязательно верните диск циркулярной пилы и центральную крышку в исходное положение и затяните болт с внутренним шестигранником.
- **Рис.13:** 1. Шестигранный ключ 2. Болт с внутренним шестигранником 3. Центральная крышка 4. Ограждение диска

**⚠ОСТОРОЖНО:** Не снимайте пружину крепления ограждения диска. При повреждении ограждения со временем или под воздействием ультрафиолетовых лучей свяжитесь с сервисным центром компании Makita, чтобы получить новое ограждение. **НЕ ЛОМАЙТЕ И НЕ СНИМАЙТЕ ОГРАЖДЕНИЕ.**

## Расположение планки для пропилов

Этот инструмент оборудован планками для пропилов в поворотном основании для уменьшения разрыва на выходной стороне распила. Планки для пропилов отрегулированы на предприятии-изготовителе таким образом, что диск циркулярной пилы не касается планок для пропилов. Перед использованием планок для пропилов отрегулируйте их, как указано ниже:

1. Обязательно снимите блок аккумулятора. Ослабьте все винты (по три с левой и правой стороны) фиксации планок для пропилов.
- **Рис.14:** 1. Планка для пропилов 2. Винт
2. Затяните винты так, чтобы планки для пропилов можно было легко перемещать рукой.
  3. Полностью опустите рукоятку, затем потяните и поверните стопорный штифт, чтобы зафиксировать ее в опущенном положении.
  4. Потяните и поверните стопорный штифт на подвижной стойке, чтобы обеспечить возможность скольжения каретки.
- **Рис.15:** 1. Стопорный штифт
5. Подайте каретку полностью на себя.
  6. Отрегулируйте положение планок для пропилов так, чтобы они слегка касались боковых сторон зубьев диска.
- **Рис.16**
- **Рис.17:** 1. Дисковая пила 2. Зубья диска 3. Планка для пропилов 4. Резка со скосом влево 5. Прямая резка 6. Резка со скосом вправо

7. Затяните передние винты (не затягивайте их сильно).
8. Сдвиньте каретку до середины между передним концом планок для пропилов и направляющих линеек. Отрегулируйте положение планок для пропилов так, чтобы они слегка касались боковых сторон зубьев диска.
9. Затяните центральные винты (не затягивайте их сильно).
10. До конца задвиньте каретку к направляющим линейкам и отрегулируйте положение планок для пропилов так, чтобы они слегка касались боковых сторон зубьев диска.
11. Затяните задние винты (не затягивайте их сильно).
12. После регулировки планок для пропилов отпустите стопорный штифт для блокировки ручки и поднимите ручку. Затем надежно затяните все винты.

**ПРИМЕЧАНИЕ:** Установив угол скоса, убедитесь в правильной регулировке планок для пропилов. Правильная регулировка планок для пропилов помогает обеспечить надлежащую опору для заготовки и свести к минимуму вероятность ее срыва с крепления.

## Обеспечение максимальной режущей способности

Данный инструмент отрегулирован на заводе таким образом, чтобы обеспечить максимальную режущую способность 216 мм для дисковой пилы. При установке нового пильного диска всегда проверяйте нижнее предельное положение пильного диска и при необходимости выполните регулировку, как указано ниже.

1. Снимите блок аккумуляторной батареи. Полностью задвиньте каретку к направляющей линейке и полностью опустите рукоятку.
- **Рис.18:** 1. Регулировочный болт 2. Направляющая линейка
2. Вращайте регулировочный болт при помощи шестигранного ключа, пока пильный диск не будет находиться немного ниже пересечения направляющей линейки и верхней поверхности поворотного основания.
- **Рис.19**
3. Проверните диск рукой, нажимая рукоятку вниз до упора, чтобы убедиться в том, что пильный диск не касается нижнего основания. При необходимости выполните повторную регулировку.

**⚠ОСТОРОЖНО:** После установки нового пильного диска и извлечения блока аккумулятора следует обязательно убедиться, что пильный диск не касается нижнего основания при полностью опущенной рукоятке. Если пильный диск заденет основание, инструмент может отскочить и нанести тяжелые травмы.

► **Рис.20**

## Стопорный рычаг

Нижнее предельное положение диска циркулярной пилы легко регулируется с помощью стопорного рычага. Для регулировки поверните стопорный рычаг в направлении стрелки, как показано на рисунке. Поверните регулировочный винт так, чтобы диск останавливался в необходимом положении при полном опускании рукоятки.

- **Рис.21:** 1. Шестигранный ключ  
2. Регулировочный винт 3. Стопорный рычаг

**ВНИМАНИЕ:** В процессе регулировки следует крепко удерживать рукоятку. При несоблюдении этого требования каретка может отскочить и нанести травмы.

## Регулировка угла резки

**ВНИМАНИЕ:** После изменения угла резки обязательно закрепите поворотное основание, повернув рычаг разблокировки в положение блокировки и плотно затянув рукоятку.

**ПРИМЕЧАНИЕ:** При повороте основания обязательно полностью поднимите рукоятку.

1. Поверните рукоятку против часовой стрелки и нажмите рычаг разблокировки, переводя его в положение разблокировки.
  2. Держите и поворачивайте рукоятку из стороны в сторону, чтобы повернуть основание.
  3. Установите указатель на нужный угол на шкале угла резки.
  4. Поднимите рычаг разблокировки в положение блокировки и затяните рукоятку.
- **Рис.22:** 1. Рукоятка 2. Рычаг разблокировки 3. Положение блокировки 4. Положение разблокировки 5. Указатель 6. Шкала угла резки

## Функция блокировки с помощью неподвижного упора

Эта торцовочная пила оснащена функцией блокировки с помощью неподвижного упора. Можно быстро установить такие углы резки справа/слева: 0°, 15°, 22,5°, 31,6°, 45° и 60°.

1. Поверните основание близко к нужному углу неподвижного упора, нажимая рычаг разблокировки вниз в положение разблокировки.
  2. Осторожно переведите рычаг разблокировки вверх посередине между положением разблокировки и положением блокировки.
  3. Поворачивайте основание на нужный угол неподвижного упора до фиксации.
  4. Переведите рычаг разблокировки вверх в положение блокировки и затяните рукоятку.
- **Рис.23:** 1. Угол неподвижного упора 2. Рычаг разблокировки 3. Положение блокировки 4. Положение разблокировки 5. Рукоятка

## Регулировка угла скоса

**ВНИМАНИЕ:** После изменения угла скоса всегда закрепляйте кронштейн, затягивая регулятор на рукоятке по часовой стрелке.

**ПРИМЕЧАНИЕ:** Перед установкой угла резки всегда снимайте верхние направляющие линейки и вертикальные тиски.

**ПРИМЕЧАНИЕ:** При наклоне пильного диска убедитесь в том, что каретка полностью поднята.

**ПРИМЕЧАНИЕ:** При изменении углов скоса не забудьте снова установить планки для пропилов в надлежащее положение, как указано в разделе, посвященном расположению планки для пропилов.

**ПРИМЕЧАНИЕ:** Не затягивайте регулятор на рукоятке слишком сильно. Это может вызвать неисправность стопорного механизма угла скоса.

## Наклон диска циркулярной пилы влево

1. Поверните регулятор на рукоятке против часовой стрелки.
  2. Удерживайте ручку и наклоните каретку влево.
  3. Установите указатель на нужный угол на шкале для угла скоса.
  4. Затяните регулятор на рукоятке по часовой стрелке, чтобы зафиксировать рычаг.
- **Рис.24:** 1. Регулятор на рукоятке 2. Рукоятка 3. Указатель 4. Шкала угла скоса

## Наклон диска циркулярной пилы вправо

1. Поверните регулятор на рукоятке против часовой стрелки.
  2. Удерживайте ручку и слегка наклоните каретку влево.
  3. Наклоните каретку вправо, нажимая рычаг разблокировки для правого угла скоса.
  4. Установите указатель на нужный угол на шкале для угла скоса.
  5. Затяните регулятор на рукоятке по часовой стрелке, чтобы зафиксировать рычаг.
- **Рис.25:** 1. Регулятор на рукоятке 2. Рукоятка 3. Рычаг разблокировки для правого угла скоса 4. Указатель 5. Шкала угла скоса

## Наклон диска циркулярной пилы за пределы диапазона 0° - 45°

1. Поверните регулятор на рукоятке против часовой стрелки.
2. Удерживайте ручку и наклоните каретку на угол свыше 45° влево или вправо.
3. Подайте каретку слегка назад и поверните рычаг разблокировки для угла скоса 48° по часовой стрелке.

4. Наклоните каретку дальше влево или вправо, удерживая при этом отпущенный рычаг.

5. Затяните регулятор на рукоятке по часовой стрелке, чтобы зафиксировать рычаг.

- **Рис.26:** 1. Регулятор на рукоятке 2. Рукоятка  
3. Рычаг разблокировки для угла скоса 48°

## Действие выключателя

**▲ОСТОРОЖНО:** Перед установкой блока аккумулятора в инструмент убедитесь в том, что триггерный переключатель работает должным образом и возвращается в положение “ВЫКЛ.” при отпускании. Не нажимайте сильно на триггерный переключатель без нажатия на кнопку разблокировки. Это может привести к поломке переключателя. Эксплуатация инструмента с неисправным переключателем может привести к потере контроля над инструментом и тяжелым травмам.

**▲ОСТОРОЖНО:** ЗАПРЕЩАЕТСЯ эксплуатировать инструмент с неисправным триггерным переключателем. Инструмент с неисправным триггерным переключателем КРАЙНЕ ОПАСЕН, перед дальнейшим использованием его необходимо отремонтировать. В противном случае можно получить тяжелую травму.

**▲ОСТОРОЖНО:** ЗАПРЕЩАЕТСЯ нарушать работу кнопки разблокировки, заклеивая ее скотчем или другими способами. Выключатель с неработающей кнопкой разблокировки может стать причиной случайного включения и причинения тяжелой травмы.

**▲ОСТОРОЖНО:** ЗАПРЕЩАЕТСЯ использовать инструмент, когда он работает при простом нажатии на триггерный переключатель без нажатия на кнопку разблокировки. Требующий ремонта инструмент может случайно включиться и причинить тяжелую травму. Верните инструмент в сервисный центр Makita для надлежащего ремонта ДО продолжения его эксплуатации.

- **Рис.27:** 1. Триггерный переключатель 2. Кнопка разблокировки 3. Отверстие для навесного замка

Для предотвращения непреднамеренного включения триггерного переключателя имеется кнопка разблокировки. Для включения инструмента нажмите на кнопку разблокировки, а затем на триггерный переключатель. Отпустите триггерный переключатель для остановки.

В триггерном переключателе предусмотрено отверстие под дужку навесного замка для блокировки инструмента.

**▲ОСТОРОЖНО:** Не используйте замок с дужкой или тросом диаметром менее 6,35 мм. Дужка или трос меньшего размера может не полностью зафиксировать инструмент в выключенном положении, что может стать причиной случайного включения и тяжелой травмы.

## Отражение линии разреза

**▲ВНИМАНИЕ:** Лампа не является водонепроницаемой. Не промывайте лампу в воде и не пользуйтесь ей во время дождя или во влажном месте. Несоблюдение этой рекомендации может привести к поражению электрическим током и появлению дыма.

**▲ВНИМАНИЕ:** Не касайтесь линзы лампы, поскольку она сильно нагревается при работе и остается нагретой в течение некоторого времени после отключения. Это может привести к ожогам.

**▲ВНИМАНИЕ:** Не подвергайте лампу ударам: это может привести к повреждению или уменьшению срока службы лампы.

**▲ВНИМАНИЕ:** Не смотрите непосредственно на свет или источник света.

Светодиодная лампа направляет свет на диск циркулярной пилы, а тень диска падает на заготовку, что служит в качестве индикатора линии разреза, не требующего калибровки. Нажмите кнопку лампы для излучения света. Появляется линия, по которой диск будет касаться поверхности заготовки, углубляясь по мере опускания лезвия.

- **Рис.28:** 1. Кнопка лампы 2. Лампа 3. Линия разреза

Индикатор помогает выполнять разрез по существующей линии разреза, нанесенной карандашом на заготовку.

1. Удерживайте ручку и опустите диск циркулярной пилы, чтобы плотная тень диска упала на заготовку.
2. Совместите линию разреза, нарисованную на заготовке, с затененной линией разреза.
3. Если необходимо, отрегулируйте углы резки и углы скоса.

**ПРИМЕЧАНИЕ:** Для экономии заряда аккумулятора переводите выключатель лампы в выключенное положение по завершении работы.

**ПРИМЕЧАНИЕ:** Свет автоматически погаснет через 5 минут после прекращения работы.

## Электронная функция

### Электрический тормоз

Этот инструмент оснащен электрическим тормозом диска. Если после отпускания триггерного переключателя не происходит быстрого прекращения работы инструмента, отправьте инструмент в сервисный центр Makita для обслуживания.

### Постоянный контроль скорости

Инструмент снабжен электронным регулятором скорости, который позволяет поддерживать постоянную скорость вращения диска даже под нагрузкой. Постоянная скорость вращения диска обеспечивает гладкий разрез.

### Функция плавного запуска

Эта функция позволяет плавно включать инструмент путем ограничения пускового момента.

## СБОРКА

**▲ОСТОРОЖНО:** Перед выполнением каких-либо работ на инструменте обязательно убедитесь, что он выключен, а аккумуляторный блок извлечен. Несоблюдение этого требования может стать причиной тяжелой травмы.

### Хранение шестигранного ключа

Когда шестигранный ключ не используется, храните его, как показано на рисунке, чтобы не потерять.

► **Рис.29:** 1. Шестигранный ключ

### Снятие и установка пильного диска

**▲ОСТОРОЖНО:** Убедитесь в том, что инструмент выключен, а блок аккумулятора извлечен, перед снятием и установкой диска циркулярной пилы. Случайное включение инструмента может привести к тяжелым травмам.

**▲ОСТОРОЖНО:** Для снятия или установки диска циркулярной пилы используйте только ключ Makita, идущий в комплекте. Несоблюдение этого требования может привести к слишком сильному или недостаточному затягиванию болта с внутренним шестигранником и, как следствие, к тяжелым травмам.

**▲ОСТОРОЖНО:** Запрещено использовать или устанавливать в качестве запасных те детали, которые не поставляются с этим инструментом. Использование таких деталей может привести к тяжелой травме.

**▲ОСТОРОЖНО:** После установки пильного диска убедитесь в том, что он надежно закреплен. Ненадежное крепление пильного диска может привести к тяжелым травмам.

### Снятие диска

Чтобы снять пильный диск, выполните следующие действия:

1. Зафиксируйте каретку в поднятом положении, потянув и повернув стопорный штифт в положение блокировки.

► **Рис.30:** 1. Стопорный штифт

2. Ослабьте болт с внутренним шестигранником, удерживающий центральную крышку, используя шестигранный ключ. Затем поднимите ограждение диска и центральную крышку.

► **Рис.31:** 1. Шестигранный ключ 2. Болт с внутренним шестигранником 3. Центральная крышка 4. Ограждение диска

3. Нажмите фиксатор вала, чтобы заблокировать шпindel, и шестигранным ключом ослабьте болт с внутренним шестигранником, повернув его по часовой стрелке. Затем снимите болт с внутренним шестигранником, внешний фланец и диск циркулярной пилы.

► **Рис.32:** 1. Болт с внутренним шестигранником (с левой резьбой) 2. Наружный фланец 3. Фиксатор вала

4. При снятии внутреннего фланца обязательно установите его на шпindel таким образом, чтобы часть, предназначенная для установки пильного диска, была обращена к пильному диску. Если установить фланец неправильно, он будет задевать инструмент.

► **Рис.33:** 1. Наружный фланец 2. Пильный диск 3. Внутренний фланец 4. Болт с внутренним шестигранником (с левой резьбой) 5. Шпindel 6. Компонент для установки диска

### Установка диска

**▲ВНИМАНИЕ:** Установите диск циркулярной пилы таким образом, чтобы указываемое стрелкой направление на диске совпало с направлением на корпусе диска. Невыполнение этого требования может привести к травмам и повреждению инструмента и/или детали.

Чтобы установить пильный диск, выполните следующие действия:

1. Аккуратно установите пильный диск на внутренний фланец. Убедитесь, что направление стрелки на пильном диске совпадает с направлением стрелки на кожухе диска.

► **Рис.34:** 1. Стрелка

2. Установите внешний фланец и болт с внутренним шестигранником, а затем хорошо затяните болт с внутренним шестигранником (с левой резьбой), поворачивая его против часовой стрелки при помощи шестигранного ключа и одновременно нажимая фиксатор вала.

3. Установите на место ограждение диска и центральную крышку. Затем надежно затяните болт крепления центральной крышки с внутренним шестигранником.

4. Потяните и поверните стопорный штифт, чтобы вывести каретку из верхнего положения. Опустите каретку и убедитесь, что ограждение диска свободно перемещается.

### Для инструмента с внутренним фланцем под пильный диск с отверстием диаметром 15,88 мм

#### В зависимости от страны

Установите внутренний фланец на вал утопленной частью наружу и установите диск циркулярной пилы, внешний фланец и болт с внутренним шестигранником.

► **Рис.35:** 1. Наружный фланец 2. Пильный диск 3. Внутренний фланец 4. Болт с внутренним шестигранником (с левой резьбой) 5. Шпindel 6. Утопленная часть

Для инструмента с внутренним фланцем под пильный диск с отверстием, диаметр которого не соответствует стандарту в 25,4 мм или 30 мм

#### В зависимости от страны

На одной стороне внутреннего фланца имеется компонент для установки диска диаметром, отличающимся от диаметра соответствующего компонента на противоположной стороне. Правильно выберите сторону, крепежный компонент на которой точно соответствует отверстию на диске циркулярной пилы.

- **Рис.36:** 1. Наружный фланец 2. Пильный диск 3. Внутренний фланец 4. Болт с внутренним шестигранником (с левой резьбой) 5. Шпindel 6. Компонент для установки диска

**ВНИМАНИЕ:** Убедитесь, что часть “а” для установки диска на внутреннем фланце, который выступает наружу, точно входит в отверстие “а” пильного диска. Установка пильного диска не с той стороны может привести к возникновению опасной вибрации.

## Подключение пылесоса

При необходимости выполнения чистого распиливания подключите пылесос Makita к пылесборному патрубку (верхнему отверстию для сбора пыли) с помощью переднего патрубка 24 (дополнительное приспособление).

- **Рис.37:** 1. Передние патрубки 24 2. Шланг 3. Пылесос

## Пылесборный мешок

**ВНИМАНИЕ:** При резке обязательно присоединяйте пылесборный мешок или подключайте пылесос во избежание рисков, связанных с пылью.

Использование пылесборного мешка обеспечивает чистоту во время резания и удобный сбор пыли. Чтобы прикрепить пылесборный мешок, снимите шланг пылеудаления инструмента и присоедините мешок к пылесборному патрубку (верхнее отверстие для сбора пыли).

- **Рис.38:** 1. Шланг пылеудаления 2. Пылесборный мешок 3. Пылесборный патрубок (верхнее отверстие для сбора пыли)

Когда пылесборный мешок заполнится примерно наполовину, снимите его с инструмента и вытяните крепеж. Удалите содержимое пылесборного мешка, слегка ударив по нему, чтобы удалить прилипшие к внутренней части частицы, которые могут затруднить дальнейший сбор пыли.

- **Рис.39:** 1. Крепеж

## Крепление обрабатываемой детали

**ОСТОРОЖНО:** Очень важно правильно закреплять деталь в тисках. Невыполнение этого требования может привести к тяжелым травмам и повреждению инструмента и/или детали.

**ОСТОРОЖНО:** При отрезании детали, длина которой больше опорного основания пилы, необходимо поддерживать выступающую часть по всей длине и на одной высоте, чтобы деталь была ровной. Надлежащая опора детали поможет предотвратить защемление диска и возможную отдачу, которая может привести к тяжелым травмам. Не полагайтесь исключительно на вертикальные тиски и/или на горизонтальные тиски при креплении обрабатываемой детали. Тонкий материал подвержен прогибам. Обеспечьте поддержку обрабатываемой детали по всей ее длине во избежание защемления диска и возможной ОТДАЧИ.

- **Рис.40:** 1. Опора 2. Поворотное основание

## Направляющие линейки

**ОСТОРОЖНО:** Перед включением инструмента убедитесь, что верхнее ограждение надежно закреплено.

**ОСТОРОЖНО:** Перед срезанием фаски убедитесь, что инструмент (особенно режущий диск), не касается верхнего и нижнего ограждения при полном опускании и подъеме рукоятки, а также при перемещении каретки по всей длине. Если инструмент или диск коснется ограждения, это может привести к отдаче или неожиданному перемещению материала и тяжелым травмам.

Используйте верхние ограждения для удерживания материала так, чтобы он не касался нижних ограждений. Ослабьте зажимной винт таким образом, чтобы верхние ограждения скользили внутрь и наружу по нижним ограждениям. Переместите заграждения и затяните винт.

- **Рис.41:** 1. Верхнее ограждение 2. Нижнее ограждение 3. Зажимной винт 4. Регулировочный винт

**ПРИМЕЧАНИЕ:** Нижние ограждения прикреплены к основанию на предприятии-изготовителе. Не снимайте нижние ограждения.

**ПРИМЕЧАНИЕ:** Если после затягивания зажимного винта верхнее ограждение не закреплено, поверните регулировочный винт, чтобы устранить зазор. Регулировочный винт настроен на предприятии-изготовителе. Он используется только в случае необходимости.

## Вертикальные тиски

**⚠ОСТОРОЖНО:** При выполнении всех типов работ обрабатываемую деталь необходимо надежно фиксировать на поворотном основании и направляющей линейке тисками. Если деталь не прижата должным образом к ограждениям, материал может сместиться во время резания и повредить диск. В этом случае возможен разлет осколков и потеря контроля над инструментом, что может стать причиной тяжелых травм.

Вертикальные тиски можно установить в двух положениях, по одному слева и справа от основания. Вставьте стержень тисков в одно из отверстий в основании. Расположите кронштейн тисков в соответствии с толщиной и формой обрабатываемой детали и закрепите ручку тисков, затянув зажимной винт. Если зажимной винт соприкасается с кареткой контроля над инструментом, ее на другой стороне кронштейна тисков. Убедитесь в том, что никакая часть инструмента не соприкасается с тисками при полном опускании рукоятки. Если какая-либо часть касается тисков, отрегулируйте положение тисков. Прижмите обрабатываемую деталь к направляющим линейкам и поворотному основанию. Расположите обрабатываемую деталь в необходимом для распиливания положении и надежно закрепите ее, затянув ручку тисков.

► **Рис.42:** 1. Отверстия 2. Стержень тисков  
3. Ручка тисков 4. Зажимной винт  
5. Головка тисков

## Горизонтальные тиски

### Дополнительные принадлежности

**⚠ОСТОРОЖНО:** Обязательно поворачивайте гаечный держатель по часовой стрелке до полной фиксации заготовки. Если деталь не прижата должным образом, материал может сместиться во время резания и повредить диск циркулярной пилы, в этом случае возможен разлет осколков и потеря контроля над инструментом, что может стать причиной тяжелых травм.

**⚠ОСТОРОЖНО:** При обработке тонких деталей (таких как плинтус) плотную к ограждению обязательно используйте горизонтальные тиски.

**⚠ВНИМАНИЕ:** При резке детали толщиной 20 мм и менее убедитесь, что для крепления детали используется распорный блок.

Горизонтальные тиски можно установить как с левой, так и с правой стороны основания. При выполнении резки под углом 22,5° и более установите горизонтальные тиски на сторону, противоположную направлению поворота поворотного основания. Чтобы расфиксировать тиски с целью быстрой их подачи вперед или назад, поверните гаечный держатель по часовой стрелке. Чтобы взяться за деталь, нажмите на ручку тисков вперед, чтобы пластина тисков коснулась детали, и поверните гаечный держатель по часовой стрелке. Затем поверните ручку тисков по часовой стрелке, чтобы зафиксировать обрабатываемую деталь.

► **Рис.43:** 1. Пластина тисков 2. Гаечный держатель 3. Головка тисков

**ПРИМЕЧАНИЕ:** Максимальная ширина обрабатываемой детали, которую можно закрепить с помощью горизонтальных тисков, составляет 68 мм.

## Подоснова

**⚠ОСТОРОЖНО:** Обязательно поддерживайте длинные детали, чтобы они находились на одном уровне с верхней поверхностью поворотного основания. Это обеспечит точный разрез и предотвратит опасность потери контроля над инструментом. Надлежащая опора детали поможет предотвратить защемление диска и возможную отдачу, которая может привести к тяжелым травмам.

**⚠ОСТОРОЖНО:** Прежде чем приступать к резке, убедитесь в том, что подосновы закреплены винтами.

Для горизонтальной фиксации длинных деталей на обеих сторонах инструмента предусмотрены подосновы. Ослабьте винты и выдвиньте подосновы на необходимое расстояние для фиксации детали. Затем затяните винты.

► **Рис.44:** 1. Подоснова 2. Винт

Во время резки размещайте заготовку ровно на направляющих линейках.

► **Рис.45:** 1. Направляющая линейка 2. Подоснова

## ЭКСПЛУАТАЦИЯ

Этот инструмент предназначен для резки лесоматериалов. При использовании соответствующих оригинальных пильных дисков Makita также возможно распиливание указанных далее материалов:

— алюминий

Посетите наш веб-сайт или обратитесь к местному дилеру компании Makita для получения информации о подходящих для разрезаемого материала дисках дисковой пилы.

**⚠ОСТОРОЖНО:** Перед включением выключателя убедитесь в том, что пильный диск не касается детали. Включение инструмента, когда пильный диск касается детали, может привести к возникновению отдачи и тяжелым травмам.

**⚠ОСТОРОЖНО:** После завершения распиливания не поднимайте пильный диск до тех пор, пока он не остановится полностью. Поднятие вращающегося диска может привести к тяжелым травмам и повреждению обрабатываемой детали.

**⚠ОСТОРОЖНО:** Не выполняйте регулировку, в частности не поворачивайте рукоятку, рычаги или стопорный штифт инструмента, при вращающемся пильном диске. Выполнение регулировки при вращающемся пильном диске может привести к тяжелым травмам.



**ПРИМЕЧАНИЕ:** Перед использованием убедитесь, что стопорный штифт разблокирован, и освободите рукоятку из нижнего положения.

**ПРИМЕЧАНИЕ:** Не оказывайте чрезмерное давление на рукоятку при распиливании.

Избыточное усилие может привести к перегрузке двигателя и/или снижению эффективности резки. Нажимайте на рукоятку только с тем усилием, которое необходимо для плавной резки и без значительного снижения скорости диска.

**ПРИМЕЧАНИЕ:** Осторожно надавите на рукоятку для выполнения распиливания. Если нажать на рукоятку с усилием или приложить боковое усилие, пильный диск может вибрировать и оставить след (след пилы) на обрабатываемой детали, что может привести к снижению точности резки.

**ПРИМЕЧАНИЕ:** При выполнении скользящего распила осторожно давите на каретку в сторону направляющих линеек без остановки. Если остановить движение каретки во время распила, на обрабатываемой детали останется след, а точность будет снижена.

## Резка с нажимом

**⚠ ОСТОРОЖНО:** Всегда блокируйте скользящие каретки при выполнении резки с нажимом. Резка при отсутствии блокировки может вызвать отдачу и привести к тяжелым травмам.

Детали высотой 70 мм и шириной 92 мм можно распилить следующим образом.

1. Давите на каретку в сторону направляющих линеек, пока она не остановится, и блокируйте ее с помощью стопорного штифта.
  2. Закрепите деталь в тисках соответствующего типа.
  3. Включите инструмент, следя за тем, чтобы пильный диск не соприкасался с заготовкой, и подождите, пока диск не наберет максимальную скорость, прежде чем снижать ее.
  4. Затем плавно опустите ручку в крайнее нижнее положение, чтобы распилить обрабатываемую деталь.
  5. По завершении резки отключите инструмент и дождитесь полной остановки пильного диска, перед тем как перевести его в крайнее верхнее положение.
- **Рис.46:** 1. Стопорный штифт

## Скользкий распил (с проталкиванием) (распил широких деталей)

**⚠ ОСТОРОЖНО:** При выполнении распиливания сначала полностью переместите каретку к себе и нажмите рукоятку вниз до упора, затем сдвиньте каретку к направляющей линейке. Не начинайте распиливание, пока каретка не сдвинута полностью в сторону оператора. В противном случае возможна неожиданная отдача и получение тяжелых травм.

**⚠ ОСТОРОЖНО:** Не пытайтесь выполнять распиливание, двигая каретку на себя. В этом случае возможна неожиданная отдача и получение тяжелых травм.

**⚠ ОСТОРОЖНО:** Запрещается выполнять распил, если рукоятка зафиксирована в нижнем положении.

1. Разблокируйте стопорные штифты, чтобы обеспечить свободный подъем и перемещение каретки.
  2. Закрепите деталь в тисках соответствующего типа.
  3. Подайте каретку полностью на себя.
  4. Включите инструмент, следя за тем, чтобы пильный диск не соприкасался с заготовкой, и подождите, пока пильный диск не наберет максимальную скорость.
  5. Нажмите на ручку вниз и подайте каретку к направляющим линейкам через обрабатываемую деталь.
  6. По завершении резки отключите инструмент и дождитесь полной остановки пильного диска, перед тем как перевести его в крайнее верхнее положение.
- **Рис.47:** 1. Стопорный штифт для блокировки ручки 2. Стопорный штифт для блокировки движения

## Резка под углом

См. раздел "Регулировка угла резки".

## Резка со скосом

**▲ ОСТОРОЖНО:** После настройки пильного диска для резки со скосом убедитесь в том, что каретка и пильный диск смогут свободно перемещаться по всей длине предполагаемого разреза, прежде чем приступить к работе с инструментом. Помехи при движении каретки или пильного диска во время резки могут привести к возникновению отдачи и тяжелым травмам.

**▲ ОСТОРОЖНО:** Во время резки со скосом руки оператора не должны находиться на траектории движения пильного диска. Наклон пильного диска может ввести в заблуждение относительно фактической траектории диска во время резки, а прикосновение к пильному диску приведет к тяжелым травмам.

**▲ ОСТОРОЖНО:** Пильный диск нельзя поднимать до его полной остановки. Во время резки со скосом отрезанные части могут попасть под пильный диск. Если поднять вращающийся пильный диск, отрезанная часть детали может быть отброшена с высокой скоростью, вследствие чего материал может разрушиться с образованием обломков, способных причинить тяжелые травмы.

**ПРИМЕЧАНИЕ:** При нажатии на рукоятку прилагайте давление параллельно пильному диску. Если прилагать усилие перпендикулярно поворотному основанию или изменить направление давления во время резки, это приведет к снижению точности резки.

1. Снимите верхнее ограждение на той стороне, на которую производится наклон каретки.
2. Разблокируйте стопорные штифты, чтобы обеспечить свободный подъем и перемещение каретки.
3. Отрегулируйте угол скоса согласно процедуре, изложенной в разделе о регулировке угла скоса. После этого затяните регулятор на рукоятке.
4. Надежно закрепите обрабатываемую деталь в тисках.
5. Подайте каретку полностью на себя.
6. Включите инструмент, следя за тем, чтобы пильный диск не соприкасался с заготовкой, и подождите, пока диск не наберет максимальную скорость.
7. Осторожно опустите ручку в нижнее положение, прилагая давление параллельно диску циркулярной пилы, и прижмите каретку к направляющей линейке для распила обрабатываемой детали.
8. По завершении резки отключите инструмент и дождитесь полной остановки пильного диска, перед тем как перевести его в крайнее верхнее положение.

► Рис.48

## Сложная резка

Сложная резка представляет собой процесс, при котором резка со скосом применяется одновременно с резкой под углом. Сложную резку можно выполнять под углами, указанными в таблице.

Угол резки	Угол скоса
Влево и вправо 0–45°	Влево и вправо 0° - 45°

При выполнении сложной резки см. объяснения в разделах “Резка с нажимом”, “Скользкий распил (с проталкиванием)”, “Резка под углом” и “Резка со скосом”.

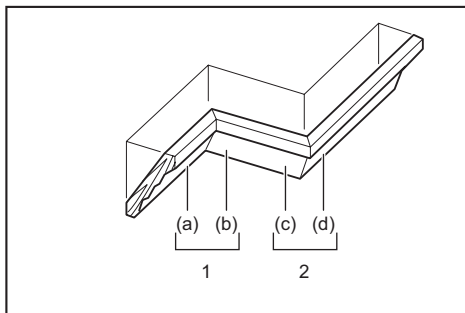
## Обработка поясков и погонажа с закругленным углублением

Пояски и погонаж с закругленным углублением можно распиливать на пиле для сложной угловой резки. Для этого детали укладываются плашмя на поворотное основание.

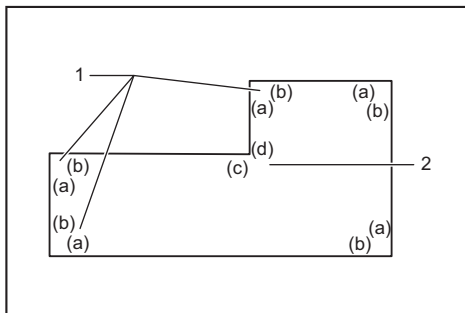
Существуют два основных типа поясков и один тип погонажа с закругленным углублением: пояски со стеновым углом 52/38°, пояски со стеновым углом 45° и погонаж со стеновым углом 45°.

- Рис.49: 1. Поясок со стеновым углом 52/38°  
2. Поясок со стеновым углом 45°  
3. Погонаж со стеновым углом 45°

Имеются стыковые детали для поясков и погонажа с закругленным углублением для следующих типов углов: “внутренние” углы 90° ((a) и (b) на рисунке) и “внешние” углы 90° ((c) и (d) на рисунке).



1. Внутренний угол 2. Наружный угол



1. Внутренний угол 2. Наружный угол

## Измерение

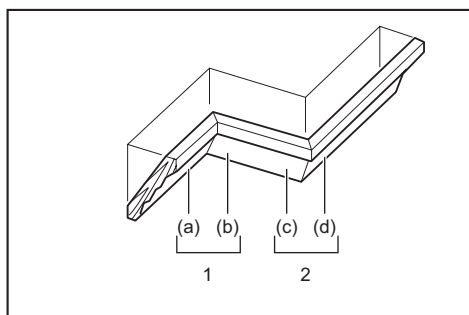
Измерьте ширину стены и отрегулируйте ширину обрабатываемой детали соответствующим образом. Обязательно убедитесь, что ширина края детали, контактирующего со стеной, совпадает с длиной стены.

► **Рис.50:** 1. Обрабатываемая деталь 2. Ширина стены 3. Ширина обрабатываемой детали 4. Край детали, контактирующий со стеной

Обязательно используйте несколько заготовок для пробных срезов, чтобы проверить угол установки пилы.

При обрезке поясков и погонажа с закругленным углублением устанавливайте угол фаски и угол отрезки как показано в таблице (А) и устанавливайте детали на верхнюю поверхность основания пилы как указано в таблице (В).

## В случае снятия левой фаски



1. Внутренний угол 2. Наружный угол

Таблица (А)

–	Положение пояска на рисунке	Угол скоса		Угол резки	
		Тип 52/38°	Тип 45°	Тип 52/38°	Тип 45°
Для внутреннего угла	(a)	Левый 33,9°	Левый 30°	Правый 31,6°	Правый 35,3°
	(b)			Левый 31,6°	Левый 35,3°
Для наружного угла	(c)			Правый 31,6°	Правый 35,3°
	(d)				

Таблица (В)

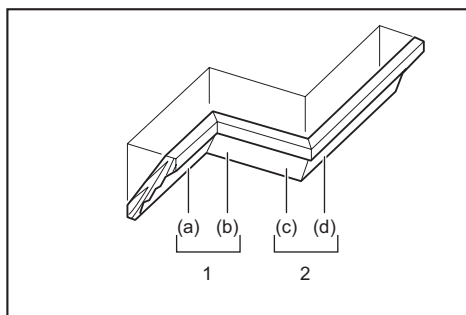
–	Положение пояска на рисунке	Край пояска у ограждения направляющей	Готовая деталь
Для внутреннего угла	(a)	Край, касающийся потолка, должен находиться рядом с ограждением направляющей.	Готовая деталь будет находиться с левой стороны от ножа.
	(b)	Край, касающийся стены, должен находиться рядом с ограждением направляющей.	
Для наружного угла	(c)	Край, касающийся потолка, должен находиться рядом с ограждением направляющей.	Готовая деталь будет находиться с правой стороны от ножа.
	(d)	Край, касающийся потолка, должен находиться рядом с ограждением направляющей.	

Пример:

В случае отрезания пояска типа 52/38° для положения (a) на рисунке выше:

- Наклоните и зафиксируйте угол фаски 33,9° ЛЕВ.
- Отрегулируйте и зафиксируйте угол отрезки 31,6° ПРАВ.
- Положите поясок широкой стороной (обратной) на поворотное основание так, чтобы КРАЙ, КОНТАКТИРУЮЩИЙ С ПОТОЛКОМ, был прижат к направляющей линейке на пиле.
- После завершения резки готовая деталь будет всегда находиться с ЛЕВОЙ стороны от пильного диска.

## В случае резки со скосом вправо



1. Внутренний угол 2. Наружный угол

Таблица (А)

–	Положение пояска на рисунке	Угол скоса		Угол резки	
		Тип 52/38°	Тип 45°	Тип 52/38°	Тип 45°
Для внутреннего угла	(a)	Правый 33,9°	Правый 30°	Правый 31,6°	Правый 35,3°
	(b)			Левый 31,6°	Левый 35,3°
Для наружного угла	(c)			Правый 31,6°	Правый 35,3°
	(d)				

Таблица (В)

–	Положение пояска на рисунке	Край пояска у ограждения направляющей	Готовая деталь
Для внутреннего угла	(a)	Край, касающийся стены, должен находиться рядом с ограждением направляющей.	Готовая деталь будет находиться с правой стороны от ножа.
	(b)	Край, касающийся потолка, должен находиться рядом с ограждением направляющей.	
Для наружного угла	(c)	Край, касающийся стены, должен находиться рядом с ограждением направляющей.	Готовая деталь будет находиться с левой стороны от ножа.
	(d)	Край, касающийся стены, должен находиться рядом с ограждением направляющей.	

Пример:

В случае отрезания пояска типа 52/38° для положения (a) на рисунке выше:

- Наклоните и зафиксируйте угол фаски 33,9° ПРАВЫЙ.
- Отрегулируйте и зафиксируйте угол отрезки 31,6° ПРАВ.
- Положите поясок широкой стороной (обратной) на поворотное основание так, чтобы КРАЙ, КОНТАКТИРУЮЩИЙ СО СТЕНОЙ, был прижат к направляющей линейке на пиле.
- После завершения резки готовая деталь будет всегда находиться с ПРАВОЙ стороны от пильного диска.

## Резка алюминиевого профиля

- **Рис.51:** 1. Тиски 2. Распорный блок  
3. Направляющая линейка 4. Алюминиевый профиль 5. Распорный блок

При креплении алюминиевого профиля используйте распорные блоки или детали металллома, как показано на рисунке, чтобы предотвратить деформацию алюминия. При резке алюминиевого профиля используйте для резки смазочно-охлаждающую жидкость, чтобы предотвратить накопление алюминиевого материала на пильном диске.

**▲ОСТОРОЖНО:** Никогда не пытайтесь резать толстый или круглый алюминиевый профиль. Толстые или круглые алюминиевые детали трудно закрепить, во время резания они могут сорваться, вызвать потерю контроля над инструментом и причинить тяжелые травмы.

## Резка пазов

**▲ОСТОРОЖНО:** Не пытайтесь выполнять такую резку при помощи более широкого диска или диска для выборки пазов. Попытка сделать надрез с помощью широкого диска или диска для выборки пазов может привести к неожиданным результатам и возникновению отдачи, которые могут стать причиной тяжелых травм.

**▲ОСТОРОЖНО:** Обязательно возвращайте ограничительный рычаг в исходное положение, если выполняете какой-либо разрез кроме выборки паза. Попытка резки с ограничительным рычагом в неправильном положении может привести к неожиданным результатам и возникновению отдачи, которые могут стать причиной тяжелых травм.

Для вырезания соединительного прямоугольного паза выполните следующие действия:

1. Отрегулируйте нижнее предельное положение пильного диска регулировочным винтом и стопорным рычагом, чтобы ограничить глубину резки пильного диска. См. раздел "Стопорный рычаг".
2. После регулировки нижнего предельного положения пильного диска вырежьте параллельные пазы по всей ширине обрабатываемой детали с помощью скользящего (с нажимом) разреза.

► **Рис.52:** 1. Вырежьте пазы лезвием

3. Удалите материал из обрабатываемой детали между пазами с помощью стамески.

## Переноска инструмента

Перед перемещением инструмента извлеките блок аккумулятора и зафиксируйте все движущиеся части торцовочной пилы. Всегда проверяйте, выполнены ли следующие условия:

- Блок аккумулятора извлечен из инструмента.
- Угол скоса каретки составляет 0°, каретка зафиксирована.
- Каретка зафиксирована в нижнем положении.
- Каретка полностью опущена до направляющих линеек и зафиксирована.
- Поворотное основание зафиксировано под прямым углом резки.
- Подосновы сложены и зафиксированы.

Переносите инструмент за рукоятку или держась за обе стороны основания инструмента.

► Рис.53

► Рис.54

**⚠ОСТОРОЖНО:** Стопорный штифт для подъема каретки предназначен исключительно для переноски и хранения, а не для распиливания. Использование стопорного штифта для распиливания может вызвать неожиданное перемещение диска циркулярной пилы, что приведет к отдаче и тяжелым травмам.

**⚠ВНИМАНИЕ:** Перед переноской инструмента обязательно закрепите все подвижные части. Если во время переноски какие-либо компоненты инструмента движутся или скользят, можно потерять контроль над инструментом и получить тяжелую травму.

**⚠ВНИМАНИЕ:** Убедитесь в том, что каретка правильно зафиксирована в нижнем положении стопорным штифтом. Если стопорный штифт вошел в контакт неправильно, каретка может внезапно подскочить, что может стать причиной травмы.

## ФУНКЦИЯ БЕСПРОВОДНОЙ АКТИВАЦИИ

### Что позволяет делать функция беспроводной активации

Функция беспроводной активации обеспечивает беспрепятственную и удобную работу. Подключив к инструменту поддерживаемый пылесос, можно его автоматически запускать, используя переключатель инструмента.

► Рис.55

Чтобы использовать функцию беспроводной активации, подготовьте следующие компоненты:

- Беспроводной блок (Дополнительные принадлежности)
- Пылесос, который поддерживает функцию беспроводной активации

Обзор настройки функции беспроводной активации выглядит следующим образом. Подробные процедуры см. в каждом разделе.

1. Установка беспроводного блока
2. Регистрация инструмента для пылесоса
3. Запуск функции беспроводной активации

## Установка беспроводного блока

### Дополнительные принадлежности

**⚠ВНИМАНИЕ:** При установке беспроводного блока поместите инструмент на ровную и устойчивую поверхность.

**ПРИМЕЧАНИЕ:** Перед началом установки беспроводного блока очистите пыль и грязь на инструменте. Если пыль или грязь попадет в гнездо беспроводного блока, это может привести к неисправности.

**ПРИМЕЧАНИЕ:** Во избежание сбоев, вызванных статическим электричеством, прежде чем поднимать беспроводной блок, прикоснитесь к материалу, позволяющему снять статический заряд, например, к металлической части инструмента.

**ПРИМЕЧАНИЕ:** При установке беспроводного блока всегда следите за тем, чтобы беспроводной блок был вставлен в правильное направление, и крышка была полностью закрыта.

1. Откройте крышку на инструменте, как показано на рисунке.

► Рис.56: 1. Крышка

2. Вставьте беспроводной блок в гнездо и закройте крышку.

При вставке беспроводного блока выровняйте выступы с углубленными участками в гнезде.

► Рис.57: 1. Беспроводной блок 2. Защита 3. Крышка 4. Углубленный участок

При извлечении беспроводного блока медленно откройте крышку. Если потянуть крышку, то крючки на обратной стороне крышки поднимут беспроводной блок.

► Рис.58: 1. Беспроводной блок 2. Крючок 3. Крышка

После извлечения беспроводного блока поместите его в поставляемый футляр или в контейнер без статического электричества.

**ПРИМЕЧАНИЕ:** Для снятия беспроводного блока обязательно используйте крючки на обратной стороне крышки. Если крючки не захватывают беспроводной блок, полностью закройте крышку и снова медленно откройте ее.

## Регистрация инструмента для пылесоса

**ПРИМЕЧАНИЕ:** Для регистрации инструмента необходим пылесос Makita, поддерживающий функцию беспроводной активации.

**ПРИМЕЧАНИЕ:** Перед началом регистрации инструмента завершите установку беспроводного блока в инструмент.

**ПРИМЕЧАНИЕ:** Не включайте следующие переключатели во время регистрации инструмента:

- триггерный переключатель на инструменте
- переключатель пылесоса на инструменте
- переключатель питания на пылесосе

**ПРИМЕЧАНИЕ:** См. также руководство по эксплуатации пылесоса.

Если необходимо активировать пылесос одновременно с переключением инструмента, сначала завершите регистрацию инструмента.

1. Установите аккумулятор в пылесос и инструмент.
2. Установите выключатель режима ожидания на пылесосе в положение «АУТО» (автоматический).  
► **Рис.59:** 1. Выключатель режима ожидания
3. Нажмите и удерживайте кнопку беспроводной активации на пылесосе в течение 3 секунд, пока лампа беспроводной активации не замигает зеленым цветом. Затем таким же образом нажмите кнопку беспроводной активации на инструменте.  
► **Рис.60:** 1. Кнопка беспроводной активации  
2. Лампа беспроводной активации

Если пылесос и инструмент надежно соединены друг с другом, то лампы беспроводной активации будут гореть зеленым светом в течение 2 секунд, затем начнут мигать синим цветом.

**ПРИМЕЧАНИЕ:** Через 20 секунд лампы беспроводной активации связи закончат мигать зеленым цветом. Если на пылесосе мигает лампа беспроводной активации, нажмите кнопку беспроводной активации на инструменте. Если лампа беспроводной активации не мигает зеленым цветом, нажмите кнопку беспроводной активации на короткое время, а затем снова удерживайте ее.

**ПРИМЕЧАНИЕ:** При выполнении двух или более регистраций инструмента для одного пылесоса завершите регистрацию инструмента одну за другой.

## Запуск функции беспроводной активации

**ПРИМЕЧАНИЕ:** Перед беспроводной активацией завершите регистрацию инструмента для пылесоса.

**ПРИМЕЧАНИЕ:** См. также руководство по эксплуатации пылесоса.

После регистрации инструмента для пылесоса можно использовать переключатель инструмента для автоматического запуска пылесоса. Нажмите триггерный переключатель на инструменте, чтобы задействовать пылесос во время работы. Пылесос также включается при нажатии кнопки пылесоса на инструмент, во время каждого резания.

► **Рис.61**

1. Установите беспроводной блок в инструмент.
2. Подсоедините шланг пылесоса к инструменту.  
► **Рис.62**
3. Установите выключатель режима ожидания на пылесосе в положение «АУТО» (автоматический).  
► **Рис.63:** 1. Выключатель режима ожидания
4. На короткое время нажмите кнопку беспроводной активации на инструменте. Лампа беспроводной активации мигает синим цветом.  
► **Рис.64:** 1. Кнопка беспроводной активации  
2. Лампа беспроводной активации

5. Потяните триггерный переключатель инструмента. Проверьте, работает ли пылесос при нажатии триггерного переключателя.

6. Нажмите кнопку пылесоса для включения пылесоса. Убедитесь, что лампа беспроводной активации загорается синим и пылесос продолжает работать до повторного нажатия кнопки.

7. Для прекращения работы пылесоса отпустите триггерный переключатель или нажмите кнопку пылесоса еще раз. Пылесос выключается через несколько секунд после переключения, после чего лампа начинает мигать синим.

**ПРИМЕЧАНИЕ:** Состояние переключения (включение/выключение пылесоса) можно определить по лампе беспроводной активации. Подробную информацию см. в разделе с описанием состояния лампы беспроводной активации.

8. Чтобы остановить беспроводную активацию пылесоса, нажмите кнопку беспроводной активации на инструменте.

**ПРИМЕЧАНИЕ:** Если в течение 2 часов не будет выполняться никаких действий, то лампа беспроводной активации на инструменте перестанет мигать синим цветом. В этом случае установите выключатель режима ожидания на пылесосе в положение «АУТО» и снова нажмите кнопку беспроводной активации на инструменте.

**ПРИМЕЧАНИЕ:** Пылесос запускается/останавливается с задержкой. Когда пылесос обнаруживает переключение выключателя инструмента, возникает временная задержка.






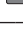



**ПРИМЕЧАНИЕ:** Дальность передачи беспроводного блока может варьироваться в зависимости от местоположения и окружающих предметов.

**ПРИМЕЧАНИЕ:** Если на одном пылесосе зарегистрировано два или более инструментов, пылесос может начать работать, даже если триггерный переключатель не нажат, или кнопка пылесоса может включиться, поскольку другой пользователь использует функцию беспроводной активации.

## Описание статуса лампы беспроводной активации

### ► Рис.65: 1. Лампа беспроводной активации

Лампа беспроводной активации отображает состояние функции беспроводной активации. Значения состояния лампы см. в таблице ниже.

Состояние	Лампа беспроводной активации				Описание
	Цвет	 Вкл	 Мигает	Продолжительность	
Ожидание	Синий			2 часа	Доступна беспроводная активация пылесоса. Если в течение 2 часов не будет выполняться никаких операций, лампа автоматически выключится.
				Пока инструмент работает.	Доступна беспроводная активация пылесоса, инструмент работает.
Регистрация инструмента	Зеленая			20 секунд	Готовность к регистрации инструмента. Ожидание регистрации пылесосом.
				2 секунды	Регистрация инструмента завершена. Лампа беспроводной активации начнет мигать синим цветом.
Отмена регистрации инструмента	Красная			20 секунд	Готовность к отмене регистрации инструмента. Ожидание отмены пылесосом.
				2 секунды	Отмена регистрации инструмента завершена. Лампа беспроводной активации начнет мигать синим цветом.
Прочие	Красная			3 секунд	На беспроводной блок подается питание, и запускается функция беспроводной активации.
	Выкл	-		-	Беспроводная активация пылесоса прекращается.

## Отмена регистрации инструмента для пылесоса

При отмене регистрации инструмента для пылесоса выполните следующую процедуру.

1. Установите аккумулятор в пылесос и инструмент.
2. Установите выключатель режима ожидания на пылесосе в положение «АУТО» (автоматический).

### ► Рис.66: 1. Выключатель режима ожидания

3. Нажмите и удерживайте кнопку беспроводной активации на пылесосе в течение 6 секунд. Лампа беспроводной активации мигает зеленым, а затем переключается на красный цвет. После этого нажмите кнопку беспроводной активации на инструменте таким же образом.

### ► Рис.67: 1. Кнопка беспроводной активации 2. Лампа беспроводной активации

Если отмена выполнена успешно, лампы беспроводной активации загорятся красным цветом на 2 секунды и начнут мигать синим цветом.

**ПРИМЕЧАНИЕ:** По истечении 20 секунд лампы беспроводной активации прекращают мигать красным цветом. Если на пылесосе мигает лампа беспроводной активации, нажмите кнопку беспроводной активации на инструменте. Если лампа беспроводной активации не мигает красным цветом, нажмите кнопку беспроводной активации на короткое время, а затем снова удерживайте ее.

## Поиск и устранение неисправностей для функции беспроводной активации

Прежде чем обращаться по поводу ремонта, проведите осмотр самостоятельно. Если обнаружена неисправность, не указанная в руководстве, не пытайтесь разобрать инструмент. Обратитесь в один из авторизованных сервисных центров Makita, в которых для ремонта всегда используются оригинальные детали Makita.

Состояние неисправности	Возможная причина (неисправности)	Способ устранения
Лампа беспроводной активации не горит/мигает.	Беспроводной блок не установлен в инструмент. Беспроводной блок неправильно установлен в инструмент.	Правильно установите беспроводной блок.
	Грязь на клемме беспроводного блока и/или гнезда.	Аккуратно вытрите пыль и грязь на клемме беспроводного блока и очистите гнездо.
	Не нажата кнопка беспроводной активации на инструменте.	На короткое время нажмите кнопку беспроводной активации на инструменте.
	Выключатель режима ожидания на пылесосе не установлен в положение «АВТО» (автоматический).	Установите выключатель режима ожидания на пылесосе в положение «АВТО» (автоматический).
	Отсутствует электропитание	Подайте питание на инструмент и пылесос.
Не удается успешно завершить регистрацию/отмену регистрации инструмента.	Беспроводной блок не установлен в инструмент. Беспроводной блок неправильно установлен в инструмент.	Правильно установите беспроводной блок.
	Грязь на клемме беспроводного блока и/или гнезда.	Аккуратно вытрите пыль и грязь на клемме беспроводного блока и очистите гнездо.
	Выключатель режима ожидания на пылесосе не установлен в положение «АВТО» (автоматический).	Установите выключатель режима ожидания на пылесосе в положение «АВТО» (автоматический).
	Отсутствует электропитание	Подайте питание на инструмент и пылесос.
	Неверная операция	На короткое время нажмите кнопку беспроводной активации и снова выполните процедуру регистрации/отмены.
	Большое расстояние между инструментом и пылесосом (вне диапазона передачи).	Расположите инструмент и пылесос ближе друг к другу. Максимальное расстояние передачи составляет приблизительно 10 м, однако оно может изменяться в зависимости от обстоятельств.
	Перед завершением регистрации инструмента/отменой; - был нажат триггерный переключатель на инструменте; или - на инструменте была нажата кнопка включения пылесоса; или - была нажата кнопка питания на пылесосе.	На короткое время нажмите кнопку беспроводной активации и снова выполните процедуру регистрации/отмены.
	Процедура регистрации инструмента для инструмента или пылесоса не завершена.	Одновременно выполните процедуры регистрации инструмента для инструмента и для пылесоса.
Радиопомехи от других приборов, которые генерируют радиоволны высокой интенсивности.	Избегайте эксплуатации инструмента и пылесоса рядом с такими приборами, как устройства Wi-Fi и микроволновые печи.	



Состояние неисправности	Возможная причина (неисправности)	Способ устранения
Пылесос не работает при использовании переключателя инструмента.	Беспроводной блок не установлен в инструмент. Беспроводной блок неправильно установлен в инструмент.	Правильно установите беспроводной блок.
	Грязь на клемме беспроводного блока и/или гнезда.	Аккуратно вытрите пыль и грязь на клемме беспроводного блока и очистите гнездо.
	Не нажата кнопка беспроводной активации на инструменте.	На короткое время нажмите кнопку беспроводной активации и убедитесь в том, что лампа беспроводной активации мигает синим цветом.
	Выключатель режима ожидания на пылесосе не установлен в положение «АУТО» (автоматический).	Установите выключатель режима ожидания на пылесосе в положение «АУТО» (автоматический).
	В пылесосе зарегистрировано более 10 инструментов.	Выполните повторную регистрацию инструмента. Если в пылесосе зарегистрировано более 10 инструментов, инструмент, зарегистрированный самым первым, будет автоматически отменен.
	Пылесосу не удалось успешно зарегистрировать инструменты.	Возобновите процедуру регистрации инструмента.
	Пылесос удалил все записи регистрации инструментов.	Выполните повторную регистрацию инструмента.
	Отсутствует электропитание	Подайте питание на инструмент и пылесос.
	Большое расстояние между инструментом и пылесосом (вне диапазона передачи).	Расположите инструмент и пылесос ближе друг к другу. Максимальное расстояние передачи составляет приблизительно 10 м, однако оно может изменяться в зависимости от обстоятельств.
Пылесос работает, когда переключатели инструмента не были активированы.	Радиопомехи от других приборов, которые генерируют радиоволны высокой интенсивности.	Избегайте эксплуатации инструмента и пылесоса рядом с такими приборами, как устройства Wi-Fi и микроволновые печи.
	Другие пользователи используют беспроводную активацию пылесоса с помощью своих инструментов.	Отключите кнопку беспроводной активации других инструментов или отмените регистрацию инструмента для других инструментов.

## ОБСЛУЖИВАНИЕ

**⚠ОСТОРОЖНО:** Перед проведением проверки или работ по техобслуживанию необходимо убедиться, что инструмент выключен, а блок аккумулятора снят. Если блок аккумулятора не снят и инструмент не выключен, возможны тяжелые травмы из-за случайного включения инструмента.

**⚠ОСТОРОЖНО:** Всегда следите за заточкой и чистой пильной диской для обеспечения максимально эффективной и безопасной работы. Использование тупого или загрязненного диска может привести к возникновению отдачи и тяжелым травмам.

**ПРИМЕЧАНИЕ:** Запрещается использовать бензин, растворители, спирт и другие подобные жидкости. Это может привести к обесцвечиванию, деформации и трещинам.

Для обеспечения БЕЗОПАСНОСТИ и НАДЕЖНОСТИ оборудования ремонт, любое другое техобслуживание или регулировку необходимо производить в уполномоченных сервис-центрах Makita или сервис-центрах предприятия с использованием только сменных частей производства Makita.

## Регулировка угла резки

Данный инструмент тщательно отрегулирован и выверен на предприятии-изготовителе, но грубая эксплуатация может нарушить регулировку. Если регулировка вашего инструмента нарушена, выполните следующее:

### Угол резки

Поверните рукоятку против часовой стрелки и подготовьте основание к включению функции блокировки неподвижным упором с помощью рычага разблокировки. После этого ослабьте винты, фиксирующие указатель и шкалу угла резки.

► **Рис.68:** 1. Рукоятка 2. Рычаг разблокировки 3. Винт указателя 4. Винты шкалы угла резки 5. Шкала угла резки

Установите поворотное основание в положение 0° с помощью функции неподвижного упора. Установите диск циркулярной пилы под прямым углом к стороне направляющей линейки с помощью треугольной линейки или угольника. Сохраняя прямой угол, затяните винты шкалы угла резки. После этого совместите указатель с положением 0° на шкале угла резки и затяните винт указателя.

► **Рис.69:** 1. Треугольная линейка 2. Указатель

## Угол скоса

### Угол скоса в 0°

Переместите каретку по направлению к направляющим линейкам и блокируйте ее скольжение стопорным штифтом. Полностью опустите каретку и зафиксируйте ее в опущенном положении с помощью стопорного штифта. Поверните регулятор на рукоятке против часовой стрелки, после этого поверните регулировочный болт 0° на два-три оборота против часовой стрелки, чтобы наклонить диск циркулярной пилы вправо.

- **Рис.70:** 1. Регулятор на рукоятке  
2. Регулировочный болт 0° 3. Винт указателя

Тщательно установите диск циркулярной пилы под прямым углом к верхней поверхности поворотного основания с помощью треугольной линейки, угольника и т. д., поворачивая регулировочный болт 0° по часовой стрелке. Затем надежно затяните регулятор на рукоятке, чтобы зафиксировать установленный угол 0°.

- **Рис.71:** 1. Треугольная линейка 2. Пильный диск  
3. Верхняя поверхность поворотного основания

Еще раз убедитесь в том, что сторона диска циркулярной пилы расположена под прямым углом к верхней поверхности поворотного основания. Ослабьте винт на указателе, совместите указатель с положением 0° на шкале угла скоса и затяните винт.

### Угол скоса в 45°

**ПРИМЕЧАНИЕ:** Перед регулировкой угла скоса 45° завершите регулировку угла скоса 0°.

Ослабьте регулятор на рукоятке и полностью наклоните каретку на сторону, которую необходимо проверить. Убедитесь, что указатель указывает положение 45° на шкале угла скоса.

- **Рис.72:** 1. Регулятор на рукоятке

Если указатель не указывает положение 45°, переведите его в положение 45°, поворачивая регулировочный болт положения 45°.

- **Рис.73:** 1. Регулировочный болт вправо на 45°  
2. Регулировочный болт влево на 45°

## Очистка линзы лампы

**ПРИМЕЧАНИЕ:** Не снимайте винт, который фиксирует линзу. Если линза не извлекается, еще немного ослабьте винт.

**ПРИМЕЧАНИЕ:** Для удаления пыли с линзы лампы используйте сухую ткань. Не допускайте возникновения царапин на линзе лампы, так как это приведет к снижению освещенности.

**ПРИМЕЧАНИЕ:** Не пользуйтесь растворителями или какими-либо очистителями на основе керосина для очистки линзы.

Если линза лампы загрязнится, трудно будет увидеть линию светодиодной лампы. Регулярно очищайте линзу. Снимите блок аккумулятора. Ослабьте винт и извлеките линзу. Осторожно очистите линзу влажной мягкой тканью.

- **Рис.74:** 1. Винт 2. Линза

## После использования

После использования инструмента сотрите щепу и пыль, прилипшие к инструменту, с помощью ткани или аналогичных средств. Поддерживайте чистоту ограждения диска в соответствии с инструкциями, приведенными в разделе, посвященном ограждению диска. Смазывайте скользящие части машинным маслом для предотвращения коррозии.

## ДОПОЛНИТЕЛЬНЫЕ ПРИНАДЛЕЖНОСТИ

**⚠ОСТОРОЖНО:** Данные принадлежности или приспособления рекомендуются для использования с инструментом Makita, указанным в настоящем руководстве. Использование любых других принадлежностей или приспособлений может привести к тяжелым травмам.

**⚠ОСТОРОЖНО:** Используйте принадлежности или приспособления Makita только по назначению. Неправильное использование принадлежности или приспособления может привести к тяжелым травмам.

Если вам необходимо содействие в получении дополнительной информации по этим принадлежностям, свяжитесь с вашим сервис-центром Makita.

- Твердосплавные пильные диски
- Вертикальные тиски
- Горизонтальные тиски
- Пылесборный мешок
- Треугольная линейка
- Шестигранный ключ
- Беспроводной блок
- Комплекты стоек
- Оригинальный аккумулятор и зарядное устройство Makita

**ПРИМЕЧАНИЕ:** Некоторые элементы списка могут входить в комплект инструмента в качестве стандартных приспособлений. Они могут отличаться в зависимости от страны.



**Makita Europe N.V.** Jan-Baptist Vinkstraat 2,  
3070 Kortenberg, Belgium

**Makita Corporation** 3-11-8, Sumiyoshi-cho,  
Anjo, Aichi 446-8502 Japan

[www.makita.com](http://www.makita.com)

885836-967  
EN, SL, SQ, BG,  
HR, MK, SR, RO,  
UK, RU  
20200907