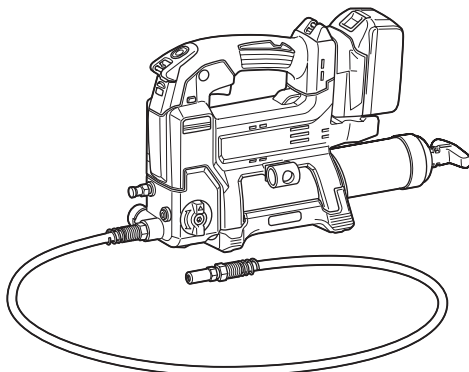
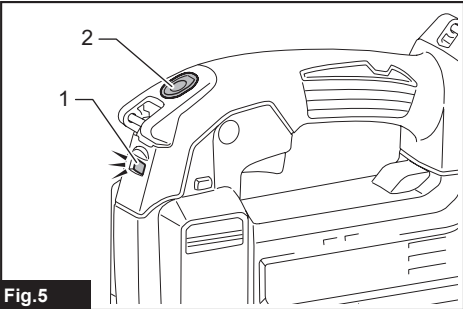
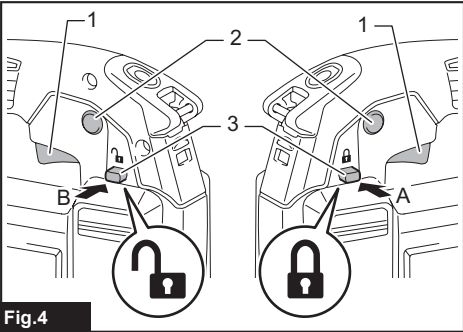
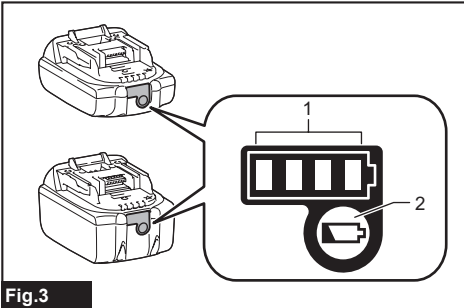
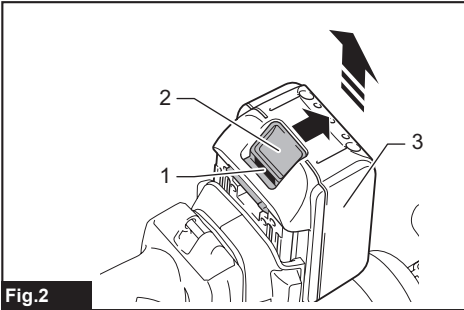
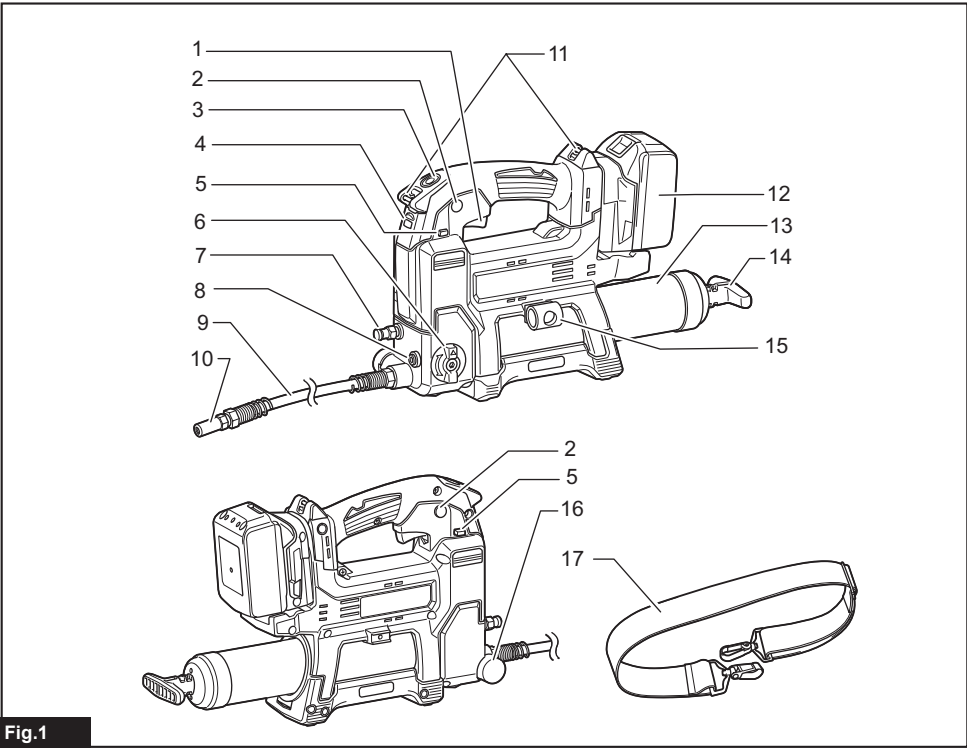




<b>EN</b>	Cordless Grease Gun	INSTRUCTION MANUAL	7
<b>SV</b>	Batteridreven smörjpistol	BRUKSANVISNING	15
<b>NO</b>	Batteridreven smørepistol	BRUKSANVISNING	23
<b>FI</b>	Akkukäyttöinen rasvapuristin	KÄYTTÖOHJE	31
<b>DA</b>	Akku fedtpistol	BRUGSANVISNING	39
<b>LV</b>	Bezvadu eļļošanas pistole	LIETOŠANAS INSTRUKCIJA	47
<b>LT</b>	Belaidis tepalo pistoletas	NAUDOJIMO INSTRUKCIJA	55
<b>ET</b>	Juhtmeta määrdeprits	KASUTUSJUHEND	63
<b>RU</b>	Аккумуляторный смазочный шприц	РУКОВОДСТВО ПО ЭКСПЛУАТАЦИИ	71

## DGP180





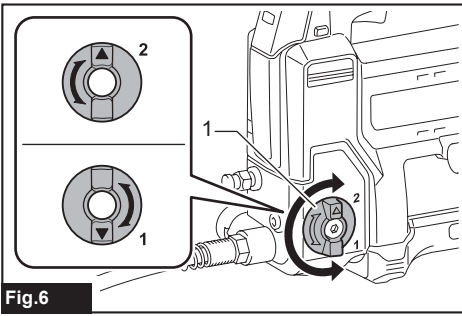


Fig.6

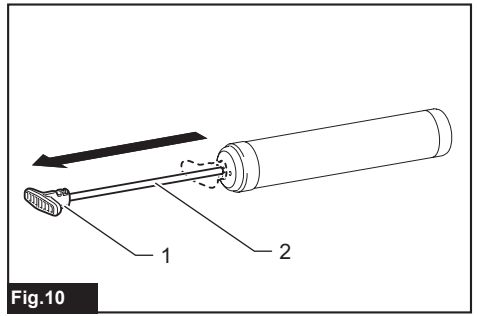


Fig.10

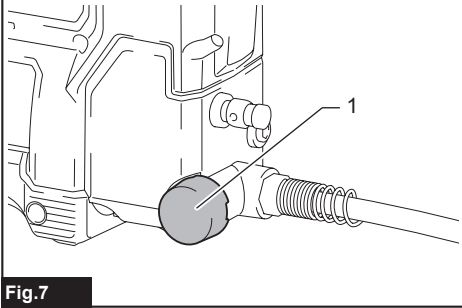


Fig.7

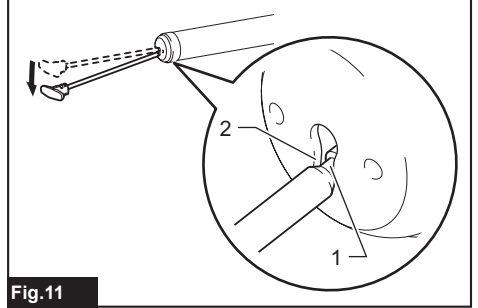


Fig.11

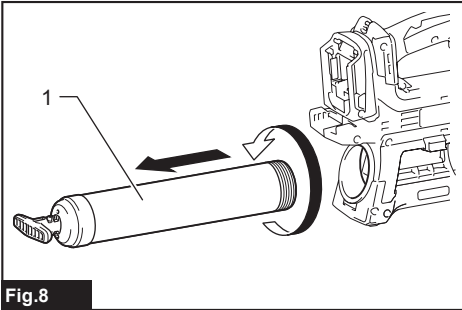


Fig.8

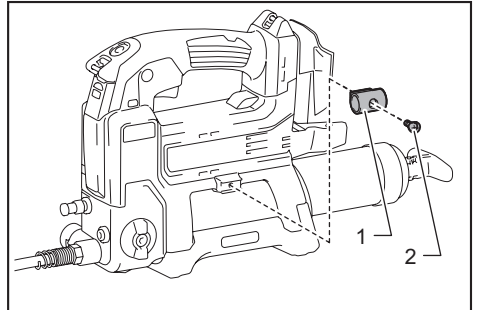


Fig.12

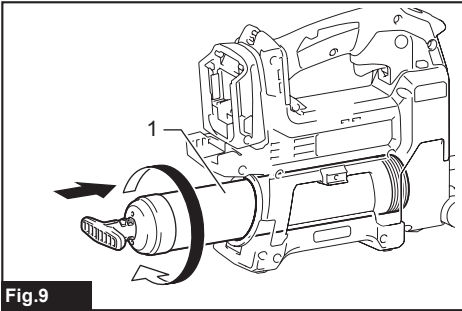
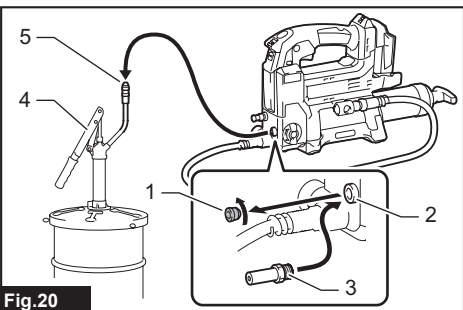
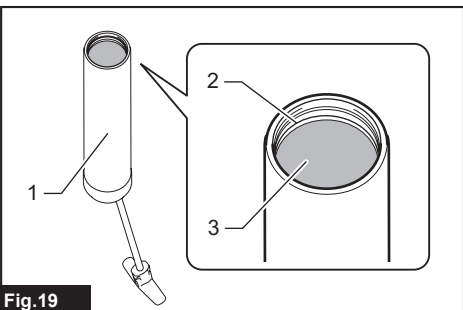
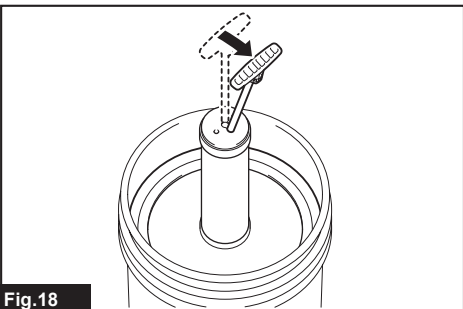
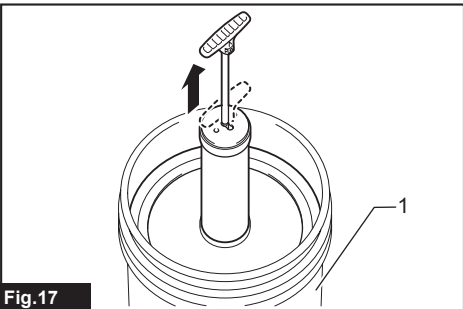
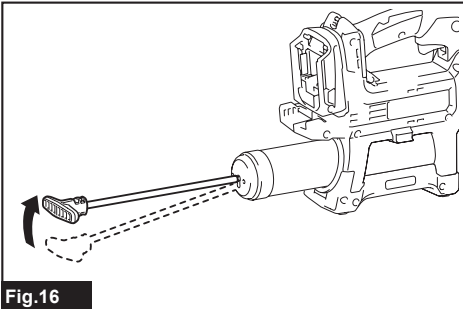
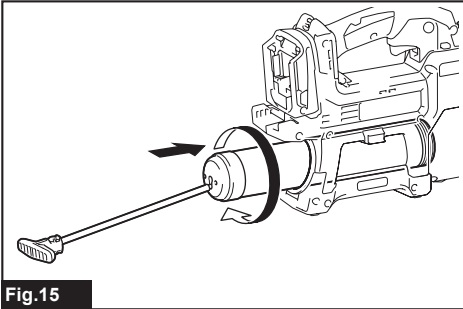
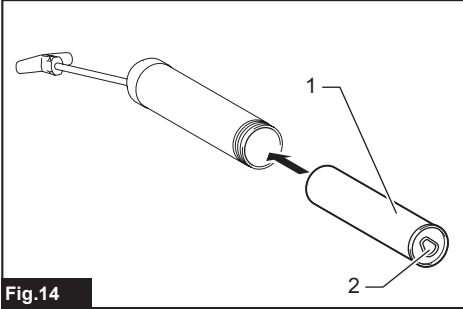
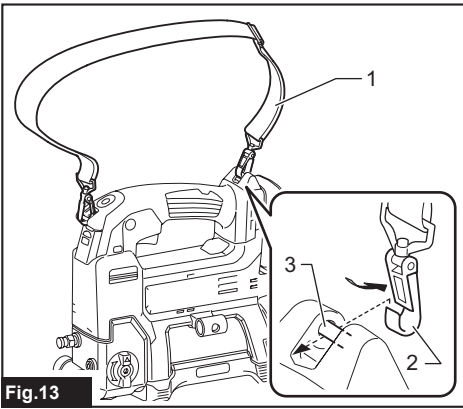


Fig.9





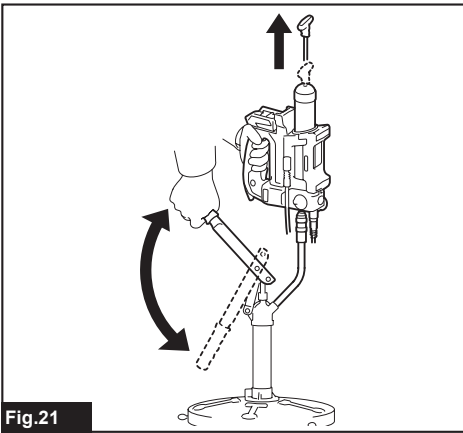


Fig.21

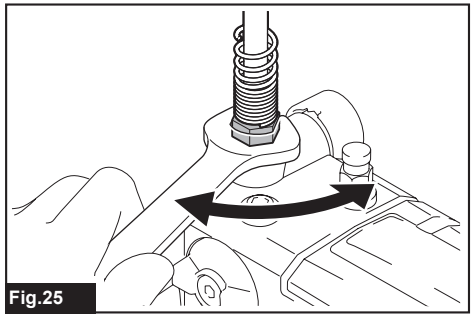


Fig.25

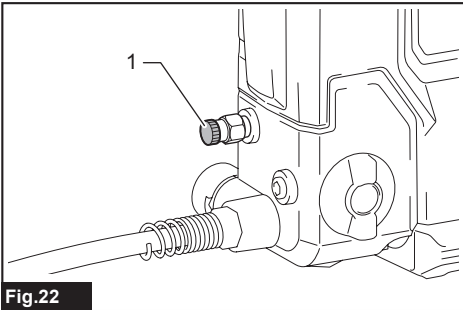


Fig.22

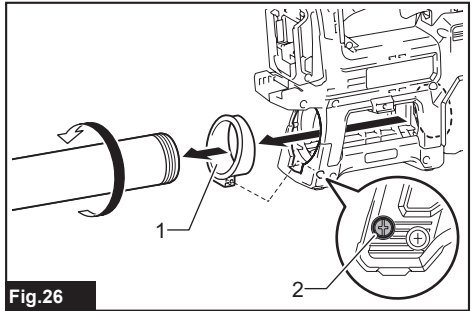


Fig.26

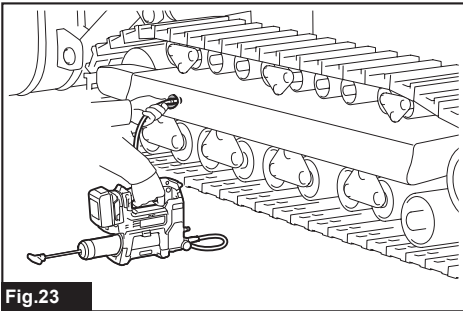


Fig.23

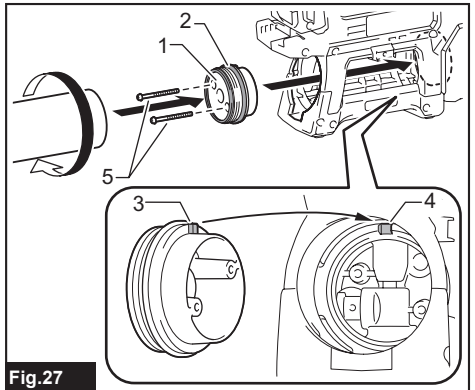


Fig.27

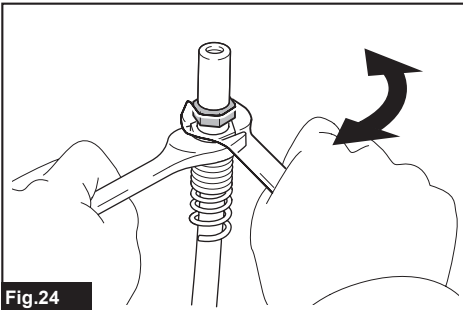


Fig.24

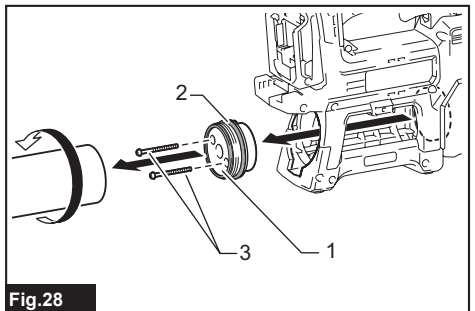
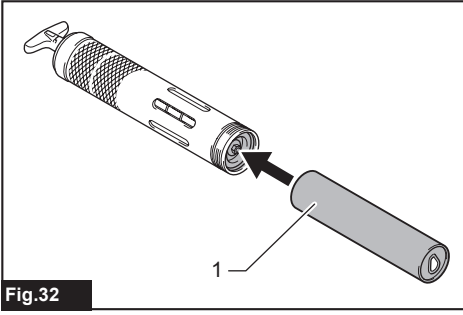
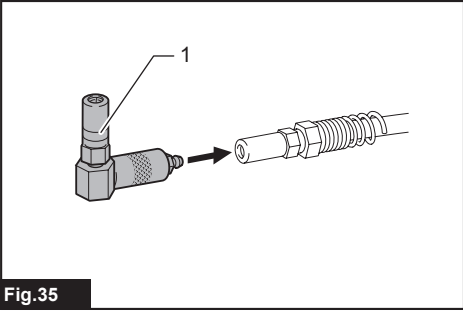
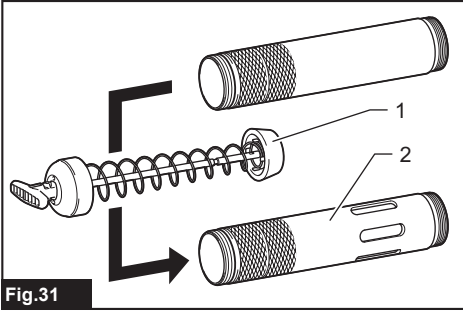
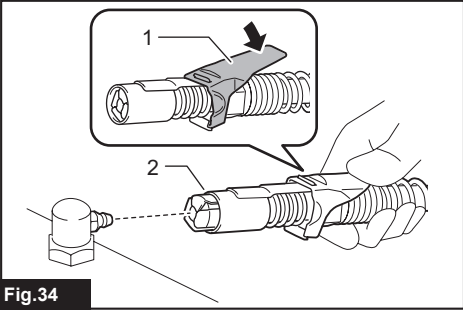
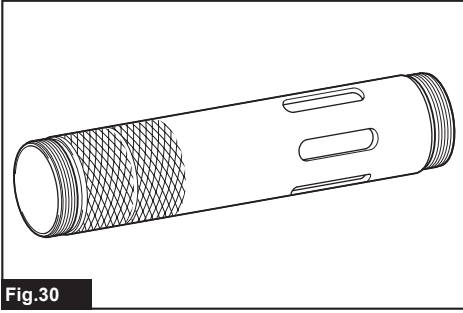
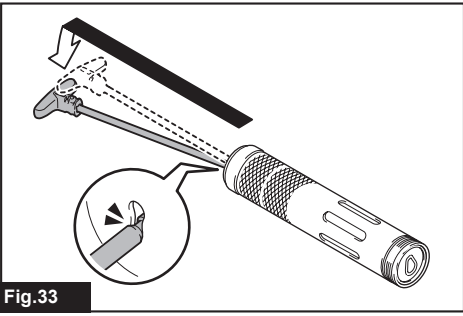
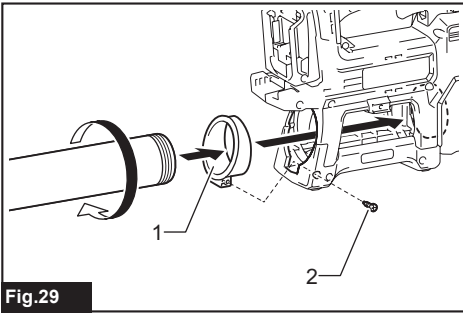


Fig.28



## SPECIFICATIONS

<b>Model:</b>		<b>DGP180</b>
Rated voltage		D.C. 18 V
Grease capacity (with A-type barrel)	Cartridge	410 g
	Bulk	455 g
Grease capacity (with B-type barrel)	Cartridge	450 g
	Bulk	570 g
Maximum operating pressure		69 MPa
Maximum flow rate	Slow speed mode	145 ml/min
	Auto speed mode	290 ml/min
Applicable grease type		NLGI No.0 - No.2
Hose length		1,200 mm
Overall length	With A-type barrel	411 mm
	With B-type barrel	449 mm
Net weight		4.8 - 6.1 kg

**NOTE:** The barrel type (A-type or B-type) varies depending on the country.

- Due to our continuing program of research and development, the specifications herein are subject to change without notice.
- Specifications and battery cartridge may differ from country to country.
- The weight may differ depending on the attachment(s), including the battery cartridge. The lightest and heaviest combinations, according to EPTA-Procedure 01/2014, are shown in the table.

### Applicable battery cartridge and charger

Battery cartridge	BL1815N / BL1820B / BL1830B / BL1840B / BL1850B / BL1860B
Charger	DC18RC / DC18RD / DC18RE / DC18SD / DC18SE / DC18SF / DC18SH

- Some of the battery cartridges and chargers listed above may not be available depending on your region of residence.

**⚠WARNING:** Only use the battery cartridges and chargers listed above. Use of any other battery cartridges and chargers may cause injury and/or fire.

### Intended use

This tool is intended for dispensing grease.

### Noise

The typical A-weighted noise level determined according to EN62841-1:

Sound pressure level ( $L_{pA}$ ) : 76 dB(A)

Uncertainty (K) : 3 dB(A)

**NOTE:** The declared noise emission value(s) has been measured in accordance with a standard test method and may be used for comparing one tool with another.

**NOTE:** The declared noise emission value(s) may also be used in a preliminary assessment of exposure.

**⚠WARNING:** Wear ear protection.

**⚠WARNING:** The noise emission during actual use of the power tool can differ from the declared value(s) depending on the ways in which the tool is used especially what kind of workpiece is processed.

**⚠WARNING:** Be sure to identify safety measures to protect the operator that are based on an estimation of exposure in the actual conditions of use (taking account of all parts of the operating cycle such as the times when the tool is switched off and when it is running idle in addition to the trigger time).

## Vibration

The vibration total value (tri-axial vector sum) determined according to EN62841-1:

Vibration emission ( $a_{hv}$ ): 2.5 m/s<sup>2</sup> or less

Uncertainty (K): 1.5 m/s<sup>2</sup>

**NOTE:** The declared vibration total value(s) has been measured in accordance with a standard test method and may be used for comparing one tool with another.

**NOTE:** The declared vibration total value(s) may also be used in a preliminary assessment of exposure.

**⚠ WARNING:** The vibration emission during actual use of the power tool can differ from the declared value(s) depending on the ways in which the tool is used especially what kind of workpiece is processed.

**⚠ WARNING:** Be sure to identify safety measures to protect the operator that are based on an estimation of exposure in the actual conditions of use (taking account of all parts of the operating cycle such as the times when the tool is switched off and when it is running idle in addition to the trigger time).

## EC Declaration of Conformity

### For European countries only

The EC declaration of conformity is included as Annex A to this instruction manual.

## SAFETY WARNINGS

### General power tool safety warnings

**⚠ WARNING:** Read all safety warnings, instructions, illustrations and specifications provided with this power tool. Failure to follow all instructions listed below may result in electric shock, fire and/or serious injury.

### Save all warnings and instructions for future reference.

The term "power tool" in the warnings refers to your mains-operated (corded) power tool or battery-operated (cordless) power tool.

### Cordless grease gun safety warnings

1. **Hold the tool firmly.**
2. **Do not operate the tool near flame.** The grease may be flammable.
3. **Use only grease that meets the specifications stated in this instruction manual.** Installing a different type of grease or any materials other than grease may cause failure.
4. **Do not install any materials other than grease, such as oil.** It may spout out of the tool and get into eyes.

5. **Do not carry the tool by the flexible hose or the rod handle.**
6. **Wear goggles when using the tool.**
7. **Check the flexible hose before each use. Do not use the hose if it is kinked or damaged.** The hose may be ruptured by high pressure and the grease gets into eyes.
8. **Make sure the rod is secured firmly.** The rod may move accidentally and cause a pinching.
9. **Read and follow the instructions of grease manufacture before usage.**
10. **Keep hands and clothes away from the rod of the rod handle.** Otherwise your finger or clothes may be pinched.
11. **Wipe off grease adhering on the tool.** Otherwise it may cause slipping and result in an injury.
12. **Do not bend the flexible hose forcibly or stamp it.** Doing so may cause a breakage or deformation of the hose.
13. **Do not point the adapter at anyone in the vicinity.**
14. **Use the flexible hose only specified by Makita.** Use of any other hose might present a risk of injury.

## SAVE THESE INSTRUCTIONS.

### Important safety instructions for battery cartridge

1. **Before using battery cartridge, read all instructions and cautionary markings on (1) battery charger, (2) battery, and (3) product using battery.**
2. **Do not disassemble or tamper with the battery cartridge.** It may result in a fire, excessive heat, or explosion.
3. **If operating time has become excessively shorter, stop operating immediately.** It may result in a risk of overheating, possible burns and even an explosion.
4. **If electrolyte gets into your eyes, rinse them out with clear water and seek medical attention right away.** It may result in loss of your eyesight.
5. **Do not short the battery cartridge:**
  - (1) **Do not touch the terminals with any conductive material.**
  - (2) **Avoid storing battery cartridge in a container with other metal objects such as nails, coins, etc.**
  - (3) **Do not expose battery cartridge to water or rain.**

**A battery short can cause a large current flow, overheating, possible burns and even a breakdown.**
6. **Do not store and use the tool and battery cartridge in locations where the temperature may reach or exceed 50 °C (122 °F).**
7. **Do not incinerate the battery cartridge even if it is severely damaged or is completely worn out.** The battery cartridge can explode in a fire.

8. **Do not nail, cut, crush, throw, drop the battery cartridge, or hit against a hard object to the battery cartridge.** Such conduct may result in a fire, excessive heat, or explosion.
9. **Do not use a damaged battery.**
10. **The contained lithium-ion batteries are subject to the Dangerous Goods Legislation requirements.**  
For commercial transports e.g. by third parties, forwarding agents, special requirement on packaging and labeling must be observed.  
For preparation of the item being shipped, consulting an expert for hazardous material is required.  
Please also observe possibly more detailed national regulations.  
Tape or mask off open contacts and pack up the battery in such a manner that it cannot move around in the packaging.
11. **When disposing the battery cartridge, remove it from the tool and dispose of it in a safe place. Follow your local regulations relating to disposal of battery.**
12. **Use the batteries only with the products specified by Makita.** Installing the batteries to non-compliant products may result in a fire, excessive heat, explosion, or leak of electrolyte.
13. **If the tool is not used for a long period of time, the battery must be removed from the tool.**
14. **During and after use, the battery cartridge may take on heat which can cause burns or low temperature burns. Pay attention to the handling of hot battery cartridges.**
15. **Do not touch the terminal of the tool immediately after use as it may get hot enough to cause burns.**
16. **Do not allow chips, dust, or soil stuck into the terminals, holes, and grooves of the battery cartridge.** It may result in poor performance or breakdown of the tool or battery cartridge.
17. **Unless the tool supports the use near high-voltage electrical power lines, do not use the battery cartridge near high-voltage electrical power lines.** It may result in a malfunction or breakdown of the tool or battery cartridge.
18. **Keep the battery away from children.**

## SAVE THESE INSTRUCTIONS.

**⚠ CAUTION:** Only use genuine Makita batteries. Use of non-genuine Makita batteries, or batteries that have been altered, may result in the battery bursting causing fires, personal injury and damage. It will also void the Makita warranty for the Makita tool and charger.

## Tips for maintaining maximum battery life

1. **Charge the battery cartridge before completely discharged. Always stop tool operation and charge the battery cartridge when you notice less tool power.**
2. **Never recharge a fully charged battery cartridge. Overcharging shortens the battery service life.**
3. **Charge the battery cartridge with room temperature at 10 °C - 40 °C (50 °F - 104 °F). Let a hot battery cartridge cool down before charging it.**
4. **When not using the battery cartridge, remove it from the tool or the charger.**
5. **Charge the battery cartridge if you do not use it for a long period (more than six months).**

## PARTS DESCRIPTION

► Fig.1

1	Switch trigger	2	Lock button	3	Lamp switch
4	Lamp	5	Trigger-lock button	6	Speed mode changing knob
7	Air drain	8	Filler port plug	9	Flexible hose
10	Adapter	11	Strap hole	12	Battery cartridge
13	Barrel	14	Rod handle	15	Hose holder
16	Pressure relief valve	17	Shoulder strap	-	-

## FUNCTIONAL DESCRIPTION

**⚠ CAUTION:** Always be sure that the tool is switched off and the battery cartridge is removed before adjusting or checking function on the tool.

### Installing or removing battery cartridge

**⚠ CAUTION:** Always switch off the tool before installing or removing of the battery cartridge.

**⚠ CAUTION:** Hold the tool and the battery cartridge firmly when installing or removing battery cartridge. Failure to hold the tool and the battery cartridge firmly may cause them to slip off your hands and result in damage to the tool and battery cartridge and a personal injury.

► **Fig.2:** 1. Red indicator 2. Button 3. Battery cartridge

To remove the battery cartridge, slide it from the tool while sliding the button on the front of the cartridge.

To install the battery cartridge, align the tongue on the battery cartridge with the groove in the housing and slip it into place. Insert it all the way until it locks in place with a little click. If you can see the red indicator on the upper side of the button, it is not locked completely.

**⚠ CAUTION:** Always install the battery cartridge fully until the red indicator cannot be seen. If not, it may accidentally fall out of the tool, causing injury to you or someone around you.

**⚠ CAUTION:** Do not install the battery cartridge forcibly. If the cartridge does not slide in easily, it is not being inserted correctly.

### Tool / battery protection system

The tool is equipped with a tool/battery protection system. This system automatically cuts off power to the motor to extend tool and battery life. The tool will automatically stop during operation if the tool or battery is placed under one of the following conditions:

#### Overload protection

When the tool/battery is operated in a manner that causes it to draw an abnormally high current, the tool automatically stops without any indication. In this situation, turn the tool off and stop the application that caused the tool to become overloaded. Then turn the tool on to restart.

#### Overheat protection

When the tool or battery is overheated, the tool stops automatically and the lamp blinks. In this case, let the tool and battery cool before turning the tool on again.

#### Overdischarge protection

When the battery capacity is not enough, the tool stops automatically. In this case, remove the battery from the tool and charge the battery.



















**NOTE:** The protection system may become more likely to work depending on the ambient temperature or the type and condition of grease.

## Indicating the remaining battery capacity

**Only for battery cartridges with the indicator**

► **Fig.3:** 1. Indicator lamps 2. Check button

Press the check button on the battery cartridge to indicate the remaining battery capacity. The indicator lamps light up for a few seconds.

Indicator lamps			Remaining capacity
 Lighted	 Off	 Blinking	
			75% to 100%
			50% to 75%
			25% to 50%
			0% to 25%
			Charge the battery.
			The battery may have malfunctioned.
			

**NOTE:** Depending on the conditions of use and the ambient temperature, the indication may differ slightly from the actual capacity.

**NOTE:** The first (far left) indicator lamp will blink when the battery protection system works.

### Switch action

**⚠ CAUTION:** Before installing the battery cartridge into the tool, always check to see that the switch trigger actuates properly and returns to the "OFF" position when released.

**⚠ CAUTION:** When not operating the tool, depress the trigger-lock button from "A" side to lock the switch trigger in the OFF position.

To prevent the switch trigger from accidentally pulled, the trigger-lock button is provided.

To start the tool, depress the trigger-lock button from "B" side and pull the switch trigger.

Tool speed is increased by increasing pressure on the switch trigger. Release the switch trigger to stop. After use, always press in the trigger-lock button from "A" side.

For continuous operation, pull the switch trigger and then push in the lock button. To stop the tool from the locked position, pull the switch trigger fully to unlock.

► **Fig.4:** 1. Switch trigger 2. Lock button 3. Trigger-lock button

## Lighting up the front lamp

**⚠ CAUTION:** Do not look in the light or see the source of light directly.

Press the lamp switch to light up the lamp. Press the lamp switch again to turn off the lamp. When the tool is left without any operation for about 60 seconds with the motor stopped, the lamp goes out.

► Fig.5: 1. Lamp 2. Lamp switch

**NOTICE:** Use a dry cloth to wipe the dirt off the lens of the lamp. Be careful not to scratch the lens of lamp, or it may lower the illumination.

## Selecting the speed mode

**NOTICE:** Change the speed mode only after the tool comes to a complete stop.

The tool employs the speed mode changing knob. Turn the knob so that the arrow on the knob points toward one of the two modes below;

1	<b>Slow speed mode:</b> Dispense grease at constant slow speed.
2	<b>Auto speed mode:</b> Apply grease while varying the flow rate automatically according to pressure of supply destination.

► Fig.6: 1. Speed mode changing knob

## Pressure relief valve

When the internal pressure in the tool exceeds a certain level, grease comes out from the pressure relief valve to lower the internal pressure.

► Fig.7: 1. Pressure relief valve

**⚠ CAUTION:** When grease comes out from the pressure relief valve, wipe off the grease with a dry cloth or the like. Otherwise it may cause slipping and result in an injury.

## ASSEMBLY

**⚠ CAUTION:** Always be sure that the tool is switched off and the battery cartridge is removed before carrying out any work on the tool.

### Removing or installing barrel

To remove the barrel, screw it as illustrated.

► Fig.8: 1. Barrel

To install the barrel, insert it into the tool then screw in reverse.

► Fig.9: 1. Barrel

## Rod handle

Pull the rod handle when installing grease in the barrel.

► Fig.10: 1. Rod handle 2. Rod

To lock the rod handle fully pulled, pull the rod handle until the groove on the rod can be seen, and then hook the groove onto the slot. To unlock the rod handle, unhook the groove so the rod moves forward.

► Fig.11: 1. Groove 2. Slot

**⚠ CAUTION:** Make sure the rod handle is locked firmly. Otherwise it may be unlocked accidentally and cause a pinching.

**NOTE:** To pull the rod handle while the barrel installed in the tool, loosen the valve of the air drain to let air comes into the barrel.

## Hose holder

The hose holder can be attached to either side of the tool with the screw.

► Fig.12: 1. Hose holder 2. Screw

## Shoulder strap

**⚠ WARNING:** Never use the strap hole for lanyard (tether strap). Doing so may result in serious injury because the strap hole is not intended for a safety device for fall prevention.

**⚠ WARNING:** When carrying the tool, keep holding the tool even if when using the shoulder strap. Carrying the tool using only the shoulder strap makes it unstable. The shoulder strap may come off or the tool hit other objects and cause injury.

Attach the hooks of the shoulder strap onto the mounts of the strap holes as shown in the figure.

► Fig.13: 1. Shoulder strap 2. Hook 3. Mount

## OPERATION

### Grease supply

**⚠ WARNING:** Make sure to read the instruction manuals of the grease and/or other instruments and replace the following contents as necessary. Misuse or failure to follow the instructions may damage the tool or cause an injury.

**NOTICE:** When using the barrel with the old grease remains, remove the barrel and purge the old grease according to the section for purge of grease.

There are following ways to provide grease:

## Installing grease cartridge (commercially-bought) in the barrel

**NOTICE:** (For A-type barrel only)

Use the grease cartridge whose brim can be hooked on the end surface of the barrel.

**NOTICE:** (For B-type/C-type barrel only)

Use the grease cartridge whose brim can be hooked on the inside step of the barrel.

1. Remove the barrel from the tool then fully pull the rod handle and lock it.

2. Remove the plastic cap of the grease cartridge and insert the grease cartridge into the barrel.

► **Fig.14:** 1. Grease cartridge (commercially-bought)  
2. Pull tab

3. Remove the pull tab of the grease cartridge then install the barrel to the tool.

If there is a gap between the brim of the grease cartridge and the barrel, screw the barrel into the tool while pushing the barrel forward.

► **Fig.15**

4. Release the rod handle.

► **Fig.16**

5. Eject the air that remains in the flow path of the grease. (Refer to the section for ejection of air.)

## Filling grease in the barrel from a bulk container (commercially-bought)

1. Remove the barrel from the tool.

2. Dip the tip of the barrel in the grease and then pull the rod handle. The grease is pumped up into the barrel.

► **Fig.17:** 1. Bulk container (commercially-bought)

3. Fully pull the rod handle and lock it.

► **Fig.18**

4. Install the barrel to the tool and then unlock the rod handle.

5. Eject the air that remains in the flow path of the grease. (Refer to the section for ejection of air.)

**NOTICE:** When locking the rod handle, make sure the rod handle is locked firmly. Otherwise the rod handle get unlocked unintentionally, the grease comes out from the barrel.

**NOTE:** (For B-type/C-type barrel only)

The amount of grease filling should be below the screw groove line. Otherwise grease will overflow when installing the barrel to the tool.

► **Fig.19:** 1. Barrel (B-type/C-type) 2. Screw groove  
3. Grease

**You can also fill grease into the barrel using a filler pump (commercially-bought) attached to the bulk container.**

1. Remove the filler port plug. Attach a loader fitting (commercially-bought) to the filler port.

2. With the barrel installed in the tool, connect the loader fitting to the fitting of the filler pump.

► **Fig.20:** 1. Filler port plug 2. Filler port 3. Loader fitting (commercially-bought) 4. Filler pump (commercially-bought) 5. Fitting

3. Operate the filler pump. The rod of the rod handle will be pushed out as the barrel is filled with grease.

► **Fig.21**

4. Disconnect the loader fitting from the fitting of the filler pump.

5. Eject the air that remains in the flow path of the grease. (Refer to the section for ejection of air.)

**⚠WARNING:** Use a low-pressure loader fitting only. Never use a high-pressure loader fitting otherwise it may damage the tool and cause a personal injury.

**⚠CAUTION:** Hold the tool firmly when filling the grease by using a filler pump. The tool may fall and cause an injury.

**NOTICE:** Stop filling the grease when you see the groove on the rod. Otherwise the grease leakage may occur.

## Ejection of air

If air remains in the flow path of the grease, the tool cannot pour grease accurately. Eject the air before each use and also when the tool seems to work improperly due to air.

1. To eject air from inside of the tool, loosen the valve for air drain. Air comes out from the hole for air drain.

2. Fasten the valve when you see the grease coming out of the hole.

► **Fig.22:** 1. Valve

**⚠WARNING:** Wear the protective goggles when ejecting the air.

**⚠CAUTION:** Wipe off the grease that comes out from the air drain with a dry cloth or the like. Otherwise it may cause slipping and result in an injury.

## Dispensing the grease

In the following cases, purge the old grease inside the tool before use;

— When using the tool for the first time or;

— When using different type of the grease from previous use.

With the new grease filled in the barrel, run the tool for a while until the old grease is pushed out from the adapter.



**NOTICE:** Do not connect the adapter to the grease nipple until the old grease is purged. If different kinds of grease are mixed, the performance of the grease may decline.

**NOTE:** The tool has been tested at the factory and small amount of the grease remains.

Perform the following procedure to dispense the grease.

**CAUTION:** Always check the speed mode before operation.

**NOTICE:** Before connecting the adapter to the grease nipple, always make sure that the tool dispenses grease properly.

**NOTICE:** Do not connect the adapter to the grease nipple forcibly.

1. Wipe the adapter and the grease nipple before connecting. Push the adapter straight at the grease nipple.
2. Pull the switch trigger to dispense the grease.  
► Fig.23
3. When dispensing the grease is finished, remove the adapter from the grease nipple. Tilt the adapter slightly to release internal pressure and then remove the adapter from the grease nipple.

Wipe off the grease from the adapter and the grease nipple.

**NOTICE:** Do not leave the tool running even after the grease depleted. It may shorten the life of the tool.

**NOTE:** If the internal pressure rises while the switch trigger is not fully pulled, the protection system works and the motor will stop even though the tool does not reach the maximum operating pressure. When injecting the grease at high pressure, pull the switch trigger fully.

**NOTE:** The tool stops automatically when the tool keep running for more than 6 minutes.

## MAINTENANCE

**CAUTION:** Always be sure that the tool is switched off and the battery cartridge is removed before attempting to perform inspection or maintenance.

**NOTICE:** Never use gasoline, benzine, thinner, alcohol or the like. Discoloration, deformation or cracks may result.

To maintain product SAFETY and RELIABILITY, repairs, any other maintenance or adjustment should be performed by Makita Authorized or Factory Service Centers, always using Makita replacement parts.

## Purge of grease

When storing the tool or using the barrel in which the grease remains, remove the barrel and purge the old grease in the following procedure.

1. Loosen the valve for air drain.
2. Fully pull the rod handle and lock it.
3. Remove the barrel from the tool.
4. Unlock the rod handle. Keep holding the rod handle and slowly move the rod handle forward so the grease gets out of the barrel.

**CAUTION:** Do not take hand off from the rod handle. Otherwise the grease pops out vigorously.

**NOTICE:** Keep dust away from inside of the barrel. Dust may get clogged in the tool.

**NOTICE:** Clean the inside of the barrel once every three months.

## OPTIONAL ACCESSORIES

**CAUTION:** These accessories or attachments are recommended for use with your Makita tool specified in this manual. The use of any other accessories or attachments might present a risk of injury to persons. Only use accessory or attachment for its stated purpose.

If you need any assistance for more details regarding these accessories, ask your local Makita Service Center.

- Adapter
- Flexible hose
- Barrel
- Cartridge barrel
- Shoulder strap
- Lock on adapter
- Angle adapter
- Makita genuine battery and charger

**NOTE:** Some items in the list may be included in the tool package as standard accessories. They may differ from country to country.

## Replacing of the adapter

Loosen and remove the old adapter with two wrenches as illustrated and then tighten the new adapter securely.  
► Fig.24

**NOTE:** If grease leaks from the joint between the hose and the adapter, wrap thread seal tape around the thread part of the hose before connecting the adapter.

## Replacing of the flexible hose

Loosen and remove the old flexible hose with a wrench as illustrated and then tighten the new flexible hose securely.

► Fig.25

**⚠ CAUTION:** Replace the rubber ring attached to the connection part of the new flexible hose at the same time. If you replace the flexible hose without the rubber ring or with the old rubber ring, grease may leak and cause an injury.

## Changing the barrel

**NOTE:** The barrel type varies depending on the country.

**NOTE:** To install a barrel of different type, additional parts described below are required depending on the type of the barrel.

### Changing the barrel from A-type to B-type/C-type

1. Remove A-type barrel.
2. Remove the screw and then the sleeve.  
► Fig.26: 1. Sleeve 2. Screw
3. Insert the joint with the rubber packing while aligning the tab with the groove on the mounting part and then secure it with screws.
4. Install B-type/C-type barrel.  
► Fig.27: 1. Joint 2. Rubber packing 3. Tab 4. Groove 5. Screw

### Changing the barrel from B-type/C-type to A-type

1. Remove B-type/C-type barrel.
2. Unscrew and remove the joint.  
► Fig.28: 1. Joint 2. Rubber packing 3. Screw
3. Insert the sleeve into the tool housing, then secure it with a screw.
4. Install A-type barrel.  
► Fig.29: 1. Sleeve 2. Screw

## Cartridge barrel

You can see the grease cartridge through the hole on the cartridge barrel.

► Fig.30

When using the cartridge barrel, transfer the piston parts from the corresponding barrel to the cartridge barrel.

► Fig.31: 1. Piston parts 2. Cartridge barrel

If it is hard to pull out the rod handle, follow the procedure below.

1. Insert the empty grease cartridge into the barrel.  
► Fig.32: 1. Empty grease cartridge
2. Pull the the rod handle and lock it.  
► Fig.33
3. Remove the empty grease cartridge from the barrel.

## Lock on adapter

**⚠ CAUTION:** Be careful not to pinch the finger in the lock on adapter.

**⚠ CAUTION:** Wear the protective goggles.

When removing the lock on adapter from the grease nipple, the grease may spout out of the tool and cause an injury.

When connecting the lock on adapter to the grease nipple, push the lock on adapter straight at the grease nipple while pulling the lever of the lock on adapter, then release the lever.

► Fig.34: 1. Lever 2. Lock on adapter

To assemble the lock on adapter, refer to the section for replacing of the adapter.

## Angle adapter

When attaching the angle adapter, push the adapter of the tool straight to the angle adapter.

► Fig.35: 1. Angle adapter

## SPECIFIKATIONER

Modell:		DGP180
Märkspänning		18 V likström
Smörjkapacitet (med cylinder av A-typ)	Patron	410 g
	Bulk	455 g
Smörjkapacitet (med cylinder av B-typ)	Patron	450 g
	Bulk	570 g
Max driftryck		69 MPa
Max flödes hastighet	Låghastighetsläge	145 ml/min
	Autohastighetsläge	290 ml/min
Tillämplig fetttyp		NLGI nr0 - nr2
Slanglängd		1 200 mm
Total längd	Med cylinder av A-typ	411 mm
	Med cylinder av B-typ	449 mm
Nettovikt		4,8 - 6,1 kg

**OBS:** Cylindertypen (A-typ eller B-typ) varierar beroende på land.

- På grund av vårt pågående program för forskning och utveckling kan dessa specifikationer ändras utan föregående meddelande.
- Specifikationer och batterikassett kan variera mellan olika länder.
- Vikten kan variera beroende på tillbehören, inklusive batterikassett. Den lättaste och den tyngsta kombinationen enligt EPTA-procedur 01/2014 visas i tabellen.

### Tillgänglig batterikassett och laddare

Batterikassett	BL1815N / BL1820B / BL1830B / BL1840B / BL1850B / BL1860B
Laddare	DC18RC / DC18RD / DC18RE / DC18SD / DC18SE / DC18SF / DC18SH

- Vissa av batterikassetterna och laddarna på listan ovan kanske inte finns tillgängliga i din region.

**⚠ VARNING:** Använd endast batterikassetter och laddare från listan ovan. Användning av andra batterikassetter och laddare kan orsaka personskada och/eller brand.

### Avsedd användning

Detta verktyg är avsett för att portionera ut fett.

### Buller

Den normala bullernivån för A-belastning är bestämd enligt EN62841-1:

Ljudtrycksnivå ( $L_{pA}$ ): 76 dB (A)

Måttolerans (K): 3 dB (A)

**OBS:** Det deklarerade bullervärdet har uppmätts i enlighet med standardtestmetoden och kan användas för jämförandet av en maskin med en annan.

**OBS:** Det deklarerade bulleremissionsvärdet kan också användas i en preliminär bedömning av exponering för vibration.

**⚠ VARNING:** Använd hörselskydd.

**⚠ VARNING:** Bulleremissionen under faktisk användning av maskinen kan skilja sig från det deklarerade värdet, beroende på hur maskinen används och särskilt vilken typ av arbetsstycke som behandlas.

**⚠ VARNING:** Var noga med att identifiera säkerhetsåtgärder för att skydda användaren, vilka är grundade på en uppskattning av graden av exponering för vibrationer under de faktiska användningsförhållandena, (ta, förutom avtryckartiden, med alla delar av användarcykeln i beräkningen, som till exempel tiden då maskinen är avstängd och när den går på tomgång).

## Vibration

Det totala vibrationsvärdet (treaxlad vektorsumma) bestämt enligt EN62841-1:

Vibrationsemission ( $a_v$ ): 2,5 m/s<sup>2</sup> eller lägre

Måttolerans (K): 1,5 m/s<sup>2</sup>

**OBS:** Det deklarerade totala vibrationsvärdet har uppmätts i enlighet med standardtestmetoden och kan användas för jämförandet av en maskin med en annan.

**OBS:** Det deklarerade totala vibrationsvärdet kan också användas i en preliminär bedömning av exponering för vibration.

**⚠ VARNING:** Vibrationsemissionen under faktisk användning av maskinen kan skilja sig från det deklarerade värdet, beroende på hur maskinen används och särskilt vilken typ av arbetssycke som behandlas.

**⚠ VARNING:** Var noga med att identifiera säkerhetsåtgärder för att skydda användaren, vilka är grundade på en uppskattning av graden av exponering för vibrationer under de faktiska användningsförhållandena, (ta, förutom avtryckartiden, med alla delar av användarcykeln i beräkningen, som till exempel tiden då maskinen är avstängd och när den går på tomgång).

## EG-försäkran om överensstämmelse

*Gäller endast inom EU*

EG-försäkran om överensstämmelse inkluderas som bilaga A till denna bruksanvisning.

## SÄKERHETSVARNINGAR

### Allmänna säkerhetsvarningar för maskiner

**⚠ VARNING:** Läs alla säkerhetsvarningar, anvisningar, illustrationer och specifikationer som medföljer det här maskinen. Underlåtenhet att följa instruktionerna kan leda till elstöt, brand och/eller allvarliga personsador.

### Spara alla varningar och instruktioner för framtida referens.

Termen "maskin" som anges i varningarna hänvisar till din eldrivna maskin (sladdansluten) eller batteridrivna maskin (sladdlös).

## Säkerhetsvarningar för batteridrivna smörjpipistol

1. **Håll stadigt i maskinen.**
2. **Använd inte verktyget nära eld.** Fettet kan antändas.
3. **Använd endast fett som uppfyller de specifika kationer som anges i denna bruksanvisning.** Att lägga i en annan typ av fett eller andra material än fett kan orsaka fel.
4. **Lägg inte i andra material än fett, t.ex. olja.** Det kan spruta ut ur verktyget och komma i ögonen.
5. **Bär inte verktyget i den flexibla slangen eller stånghandtaget.**
6. **Ha på glasögon när verktyget används.**
7. **Kontrollera den flexibla slangen före varje användning.** Använd inte slangen om den är vriden eller skadad. Det kan bli brott på slangen genom det höga trycket så att fett kommer i ögonen.
8. **Se till att stängningen sitter ordentligt fast.** Stängningen kan råka röra sig och orsaka klämning.
9. **Läs och följ fettillverkarens instruktioner före användning.**
10. **Håll händer och klädesplagg borta från stängningen på stånghandtaget.** Annars kan du få ett finger eller kläderna i kläm.
11. **Torka av fett som är kvar på verktyget.** Annars kan det orsaka halkning och leda till skada.
12. **Böj inte den flexibla slangen med våld och stampa inte på den.** Att göra detta kan göra att slangen går av eller deformeras.
13. **Rikta inte adaptorn mot andra personer.**
14. **Använd endast sådan flexibel slang som specificeras av Makita.** Att använda någon annan slang kan utgöra risk för skada.

## SPARA DESSA ANVISNINGAR.

### Viktiga säkerhetsanvisningar för batterikassetten

1. **Innan batterikassetten används ska alla instruktioner och varningsmärken på (1) batteriladdaren, (2) batteriet och (3) produkten läsas.**
2. **Montera inte isär eller mixtra med batterikassetten.** Det kan leda till brand, överdriven värme eller explosion.
3. **Om drifttiden blivit avsevärt kortare ska användningen avbrytas omedelbart.** Det kan uppstå överhettning, brännskador och t o m en explosion.
4. **Om du får elektrolyt i ögonen ska de sköljas med rent vatten och läkare uppsöks omedelbart.** Det finns risk för att synen förloras.
5. **Kortslut inte batterikassetten.**
  - (1) Rör inte vid polerna med något strömförande material.
  - (2) Undvik att förvara batterikassetten tillsammans med andra metallobjekt som t.ex. spikar, mynt o.s.v.
  - (3) Skydda batteriet mot vatten och regn.

- En batterikortslutning kan orsaka ett stort strömflöde, överhettning, brand och maskinhaveri.
6. Förvara och använd inte verktyget och batterikassetten på platser där temperaturen kan nå eller överstiga 50 °C.
  7. Bränn inte upp batterikassetten även om den är svårt skadad eller helt utsliten. Batterikassetten kan explodera i öppen eld.
  8. Spika inte i, krossa, kasta, tappa eller slå batterikassetten mot hårda föremål. Dylåka händelser kan leda till brand, överdriven värme eller explosion.
  9. Använd inte ett skadat batteri.
  10. De medföljande litiumjonbatterierna är föremål för kraven i gällande lagstiftning för farligt gods.  
För kommersiella transporter (av t.ex. tredje parter som expeditionsfirmor) måste de särskilda transportkrav som anges på emballaget och etiketter iakttas.  
För att förbereda den produkt som ska avsändas krävs att du konsulterar en expert på riskmaterial. Var också uppmärksam på att det i ditt land kan finnas ytterligare föreskrifter att följa.  
Tejpa över eller maskera blottade kontakter och packa batteriet på sådant sätt att det inte kan röra sig fritt i förpackningen.
  11. När batterikassetten ska kasseras måste den tas bort från maskinen och kasseras på ett säkert sätt. Följ lokala föreskrifter beträffande avfallshandtering av batteriet.
  12. Använd endast batterierna med de produkter som specificerats av Makita. Att använda batterierna med ej godkända produkter kan leda till brand, överdriven värme, explosion eller utläckande elektrolyt.
  13. Om maskinen inte används under en lång tid måste batteriet tas bort från maskinen.
  14. Under och efter användning kan batterikassetten bli het vilket kan orsaka brännskador eller lättare brännskador. Var uppmärksam på hur du hanterar varma batterikassetter.

15. Vidrör inte verktygets kontakter direkt efter användning eftersom de kan bli heta och orsaka brännskador.
16. Låt inte flisor, damm eller smuts fastna i kontaktarna, i hål eller spår i batterikassetten. Det kan leda till dålig prestanda eller till att verktyget eller batterikassetten går sönder.
17. Såvida inte verktyget stöder arbeten i närheten av högspänningsledning får batterikassetten inte användas i närheten av en högspänningsledning. Det kan leda till att verktyget eller batterikassetten går sönder eller inte fungerar korrekt.
18. Förvara batteriet utom räckhåll för barn.

## SPARA DESSA ANVISNINGAR.

**⚠ FÖRSIKTIGT:** Använda endast äkta Makita-batterier. Användning av oäkta Makita-batterier eller batterier som har manipulerats kan leda till person- och utrustningsskador eller till att batteriet fattar eld. Det upphäver också Makitas garanti för verktyget och laddaren.

## Tips för att uppnå batteriets maximala livslängd

1. Ladda batterikassetten innan den är helt urladdad. Stanna alltid maskinen och ladda batterikassetten när du märker att maskinen blir svagare.
2. Ladda aldrig en fulladdad batterikasset. Överladdning förkortar batteriets livslängd.
3. Ladda batterikassetten vid en rumstemperatur på 10 °C - 40 °C. Låt en varm batterikasset svalna innan den laddas.
4. När batterikassetten inte används ska den tas bort från verktyget eller laddaren.
5. Ladda batterikassetten om du inte har använt den på länge (mer än sex månader).

## BESKRIVNING AV DELAR

► Fig.1

1	Avtryckare	2	Låsknapp	3	Lampknapp
4	Lampa	5	Startspärr	6	Spak för byte av hastighetsläge
7	Luftutsläpp	8	Plugg för påfyllningsöppning	9	Flexibel slang
10	Adapter	11	Remhål	12	Batterikasset
13	Cylinder	14	Stånghandtag	15	Slangfäste
16	Övertrycksventil	17	Axelrem	-	-

## FUNKTIONSBESKRIVNING

**⚠ FÖRSIKTIGT:** Se alltid till att maskinen är avstängd och batterikassetten borttagen innan du justerar maskinen eller kontrollerar dess funktioner.

## Montera eller demontera batterikassetten

**⚠ FÖRSIKTIGT:** Stäng alltid av maskinen innan du monterar eller tar bort batterikassetten.

**⚠ FÖRSIKTIGT:** Håll stadigt i maskinen och batterikassetten när du monterar eller tar bort batterikassetten. I annat fall kan det leda till att de glider ur dina händer och orsakar skada på maskinen och batterikassetten samt personskada.

► **Fig.2:** 1. Röd indikator 2. Knapp 3. Batterikassett

Ta bort batterikassetten genom att skjuta ner knappen på kassetten framsida samtidigt som du drar ut batterikassetten.

Sätt i batterikassetten genom att rikta in tungan på batterikassetten mot spåret i höljet och skjuta den på plats. Tryck in kassetten hela vägen tills den låser fast med ett klick. Om du kan se den röda indikatorn på knappens ovansida är den inte låst ordentligt.

**⚠ FÖRSIKTIGT:** Sätt alltid i batterikassetten helt tills den röda indikatorn inte längre syns. I annat fall kan den oväntat falla ur verktyget och skada dig eller någon annan.

**⚠ FÖRSIKTIGT:** Montera inte batterikassetten med våld. Om kassetten inte lätt glider på plats är den felisatt.

## Skyddssystem för maskinen/batteriet

Verktyget är utrustat med ett skyddssystem för verktyget/batteriet. Detta system bryter automatiskt strömmen till motorn för att förlänga verktygets och batteriets livslängd. Verktyget stoppar automatiskt under användningen om verktyget eller batteriet hamnar i en av följande situationer:

### Överbelastningsskydd

Om verktyget/batteriet används på ett sätt som gör att det drar onormalt mycket ström kan det stoppas automatiskt utan varning. När detta sker stänger du av verktyget och upphör med arbetet som gjorde att verktyget överbelastades. Starta därefter upp verktyget igen.

### Överhettningsskydd

När verktyget eller batteriet överhettas stoppas det automatiskt och lampan börjar blinka. I sådant fall ska du låta verktyget och batteriet svalna innan du startar verktyget igen.

### Överurladdningsskydd

När batteriets kapacitet är otillräcklig stoppar maskinen automatiskt. I sådant fall ska batteriet tas ur maskinen och laddas.

**OBS:** Det är mer sannolikt att skyddssystemet fungerar beroende på omgivningstemperaturen eller fettets typ och skick.

## Indikerar kvarvarande batterikapacitet

**Endast för batterikassetter med indikator**

► **Fig.3:** 1. Indikatorlampor 2. Kontrollknapp

Tryck på kontrollknappen på batterikassetten för att se kvarvarande batterikapacitet. Indikatorlamporna lyser i ett par sekunder.

Indikatorlampor			Kvarvarande kapacitet
■ Upplyst	□ Av	◐ Blinkar	
■ ■ ■ ■			75% till 100%
■ ■ ■ □			50% till 75%
■ ■ □ □			25% till 50%
■ □ □ □			0% till 25%
◐ □ □ □			Ladda batteriet.
■ ■ □ □			Batteriet kan ha skadats.
□ □	↑ ↓	■ ■	

**OBS:** Beroende på användningsförhållanden och den omgivande temperaturen kan indikationen skilja sig lätt från den faktiska batterikapaciteten.

**OBS:** Den första (längst till vänster) indikatorlampan kommer att blinka när batteriskyddssystemet fungerar.

## Avtryckarens funktion

**⚠ FÖRSIKTIGT:** Innan du sätter i batterikassetten i maskinen ska du kontrollera att avtryckaren fungerar och återgår till läget "OFF" när du släpper den.

**⚠ FÖRSIKTIGT:** När verktyget inte används ska startspärren vara intryckt från "A"-sidan för att låsa avtryckaren i det avstängda läget OFF.

Startspärren förhindrar att avtryckaren råkar utlösas oavsiktligt.

Tryck in låsknappen för avtryckaren från "B"-sidan och tryck sedan in avtryckaren för att starta verktyget. Verktygets hastighet ökas genom att avtryckaren trycks in hårdare. Släpp avtryckaren för att stoppa verktyget. Tryck in startspärren från "A"-sidan efter användning. För kontinuerlig användning trycker du först in avtryckaren och sedan spärknappen. För att stoppa verktyget från det låsta läget trycker du på avtryckaren för att låsa upp.

► **Fig.4:** 1. Avtryckarknapp 2. Låsknapp 3. Startspär

## Tända frontlampan

**⚠ FÖRSIKTIGT:** Titta inte in i ljuset eller direkt i ljuskällan.

Tryck på lampknappen för att tända lampan. Tryck på lampknappen igen för att släcka lampan. När verktyget lämnas oanvänt i omkring 60 sekunder med motorn stoppad, släcks lampan.

► **Fig.5:** 1. Lampa 2. Lampknapp

**OBSERVERA:** Använd en torr trasa för att torka bort smuts från lampglasat. Var försiktig så att inte lampglasat repas eftersom ljuset då kan bli svagare.

## Välja hastighetsläge

**OBSERVERA:** Ändra hastighetsläget först när verktyget har stannat helt.

Verktyget använder sig av ett reglage för byte av hastighetsläge. Vrid reglaget så att pilen på det pekar på ett av de två lägena nedan:

1	<b>Låghastighetsläge:</b> Fördela fett i konstant låg hastighet.
2	<b>Autohastighetsläge:</b> Lägg på fett samtidigt som flödes-hastigheten varierar automatiskt beroende på trycket i målet för tillförseln.

► **Fig.6:** 1. Spak för byte av hastighetsläge

## Övertrycksventil

När det inre trycket i verktyget överstiger en viss nivå, kommer fett ut från övertrycksventilen så att det inre trycket sänks.

► **Fig.7:** 1. Övertrycksventil

**⚠ FÖRSIKTIGT:** När fett kommer ut från övertrycksventilen, torkar du av det med en torr trasa eller liknande. Annars kan det orsaka halkning och leda till skada.

## MONTERING

**⚠ FÖRSIKTIGT:** Se alltid till att maskinen är avstängd och batterikassetten borttagen innan du underhåller maskinen.

## Ta bort eller installera cylindern

Ta bort cylindern genom att skruva på den enligt bilden.

► **Fig.8:** 1. Cylinder

Installera cylindern genom att sätta in den i verktyget och sedan skruva bakåt.

► **Fig.9:** 1. Cylinder

## Stånghandtag

Dra i stånghandtaget när du lägger in fett i cylindern.

► **Fig.10:** 1. Stånghandtag 2. Stång

För att låsa stånghandtaget i helt utdraget läge drar du i det tills det går att se räfflan på stången, och hakar sedan fast räfflan i skåran. Lås upp stånghandtaget genom att haka av räfflan så att stången rör sig framåt.

► **Fig.11:** 1. Räffla 2. Skåra

**⚠ FÖRSIKTIGT:** Se till att stånghandtaget är ordentligt låst. I annat fall kan det låsas upp av misstag och orsaka klämning.

**OBS:** För att dra i stånghandtaget medan cylindern är installerad i verktyget lossar du luftutsläppsventilen så luft kommer in i cylindern.

## Slangfäste

Slangfästet kan fästas på någondera sidan av verktyget med skruven.

► **Fig.12:** 1. Slangfäste 2. Skruv

## Axelrem

**⚠ VARNING:** Använd aldrig remhålet för rep (fästrem). Att göra detta kan leda till allvarlig skada eftersom remhålet inte är avsett för en säkerhetsanordning för fallskydd.

**⚠ VARNING:** När du bär verktyget ska du fortsätta hålla i verktyget även om du använder axelremmen. Om du bär verktyget endast i axelremmen blir den instabil. Axelremmen kan åka av, eller så kan verktyget slå mot andra föremål och orsaka skada.

Fäst axelremmens krok på remhålets fästen enligt bilden.

► **Fig.13:** 1. Axelrem 2. Krok 3. Fäste

## ANVÄNDNING

### Fetttillförsel

**⚠ VARNING:** Se till att läsa bruksanvisningarna till fett och/eller andra instrument och byt ut följande innehåll om det behövs. Felaktig användning eller instruktioner som inte följs kan skada verktyget eller orsaka skada.

**OBSERVERA:** När du använder cylindern med de gamla fettresterna, ta då bort cylindern och rensa bort det gamla fett enligt avsnittet om borttagning av fett.

Följande sätt finns att tillhandahålla fett:

## Installera fettpatron (köps i handeln) i cylindern

**OBSERVERA:** (Endast för cylinder av A-typ)

Använd en fettpatron vars kant kan krokas fast på tunnans ovsida.

**OBSERVERA:** (Endast för cylinder av B-typ/C-typ)

Använd en fettpatron vars kant kan krokas fast på tunnans invändiga steg.

1. Ta bort cylindern från verktyget, dra sedan ut stånghandtaget helt och lås det.

2. Ta bort fettpatronens plastlock och sätt in fettpatronen i cylindern.

► **Fig.14:** 1. Fettpatron (köps i handeln) 2. Dragflik

3. Ta bort fettpatronens dragflik och sätt sedan in cylindern i verktyget.

Om det är ett spel mellan fettpatronens kant och tunnan ska tunnan skrivas in i verktyget samtidigt som den skjuts framåt.

► **Fig.15**

4. Släpp stånghandtaget.

► **Fig.16**

5. Spruta ut luften som är kvar i fettets flödesväg. (Se avsnittet om utsprutning av luft.)

## Fylla på fett i cylindern från en bulkbehållare (köps i handeln)

1. Ta bort cylindern från verktyget.

2. Doppa cylinderns spets i fett och dra sedan in stånghandtaget. Fettet pumpas upp i cylindern.

► **Fig.17:** 1. Bulkbehållare (köps i handeln)

3. Dra ut stånghandtaget helt och lås det.

► **Fig.18**

4. Sätt in cylindern i verktyget och lås sedan upp stånghandtaget.

5. Spruta ut luften som är kvar i fettets flödesväg. (Se avsnittet om utsprutning av luft.)

**OBSERVERA:** När du låser stånghandtaget, se då till att det låses ordentligt. I annat fall kan stånghandtaget låsas upp oavsiktligt och fett kommer ut ur cylindern.

**OBS:** (Endast för cylinder av B-typ/C-typ)

Mängden påfyllningsfett bör vara under skruvspårinjen. I annat fall flödar fett över när cylindern installeras till verktyget.

► **Fig.19:** 1. Cylinder (B-typ/C-typ) 2. Skruvspår 3. Fett

Du kan också fylla fett i cylindern med en påfyllningspump (köps i handeln) som fästs vid bulkbehållaren.

1. Ta bort pluggen till påfyllningsöppningen. Fäst en laddarkoppling (köps i handeln) vid påfyllningsöppningen.

2. Med cylindern installerad i verktyget ansluter du laddarkopplingen till påfyllningspumpens koppling.

► **Fig.20:** 1. Plugg för påfyllningsöppning 2. Påfyllningsöppning 3. Laddarkoppling (köps i handeln) 4. Påfyllningspump (köps i handeln) 5. Koppling

3. Kör påfyllningspumpen. Stånghandtags trycks ut när cylindern fylls med fett.

► **Fig.21**

4. Koppla bort laddarkopplingen från påfyllningspumpens koppling.

5. Spruta ut luften som är kvar i fettets flödesväg. (Se avsnittet om utsprutning av luft.)

**⚠VARNING:** Använd endast en lågtrycksladdarkoppling. Använd aldrig en högtrycksladdarkoppling, då det kan skada verktyget och orsaka personskada.

**⚠FÖRSIKTIGT:** Håll verktyget stadigt när du fyller på fett med en påfyllningspump. Verktyget kan falla och orsaka skada.

**OBSERVERA:** Sluta fylla på fett när du ser språret på stången. I annat fall kan fettläckage inträffa.

## Utsprutning av luft

Om luft finns kvar i fettets flödesväg, kan inte verktyget spruta ut fett på rätt sätt. Spruta ut luften före varje användning och även när verktyget verkar fungera felaktigt p.g.a. luft.

1. För att spruta ut luft inifrån verktyget lossar du luftutsläppsventilen. Luft kommer ut ur hålet för luftutsläpp.

2. Fäst ventilen när du ser att fett kommer ut ur hålet.

► **Fig.22:** 1. Ventil

**⚠VARNING:** Ha på skyddsglasögon när du sprutar ut luften.

**⚠FÖRSIKTIGT:** Torka av fett som kommer ut från luftutsläppet med en torr trasa eller liknande. Annars kan det orsaka halkning och leda till skada.

## Fördela fett

I följande fall ska det gamla fett inne i verktyget renas bort före användning:

- När verktyget används för första gången, eller
- När en annan typ av fett ska användas än vid förra användningen.

Med det nya fett fyllt i cylindern kör du verktyget ett tag tills det gamla fett trycks ut ur adaptorn.

**OBSERVERA:** Anslut inte adaptorn till smörjnippeln förrän det gamla fett är bortrensat. Om olika slags fett blandas, kan fettets prestanda försämrans.

**OBS:** Verktyget har testats på fabriken och en liten mängd av fett är kvar.

Utför följande procedur för att fördela fett.

**⚠FÖRSIKTIGT:** Kontrollera alltid hastighetslägget före användning.



**OBSERVERA:** Se alltid till innan adaptern ansluts till smörjnippeln att verktyget fördelar fett på rätt sätt.

**OBSERVERA:** Anslut inte adaptern till smörjnippeln med våld.

1. Torka av adaptern och smörjnippeln innan de kopplas på. Tryck adaptern rakt på smörjnippeln.
2. Tryck in avtryckaren för att fördela fett.  
► Fig.23
3. När fördelningen av fett är klar tar du bort adaptern från smörjnippeln. Luta adaptern något för att lätta på det inre trycket och ta sedan bort adaptern från smörjnippeln.

Torka av fett från adaptern och smörjnippeln.

**OBSERVERA:** Lämna inte verktyget igång efter att fettet blivit uttömt. Det kan förkorta verktygets livslängd.

**OBS:** Om det inre trycket stiger medan avtryckaren inte är helt intryckt, så fungerar skyddssystemet och motorn stannar även om verktyget inte når det maximala drifttrycket. När fettet sprutas in med högt tryck, trycker du helt på avtryckaren.

**OBS:** Verktyget stannar automatiskt när det varit igång i mer än 6 minuter.

## UNDERHÅLL

**⚠FÖRSIKTIGT:** Se alltid till att maskinen är avstängd och batterikassetten borttagen innan inspektion eller underhåll utförs.

**OBSERVERA:** Använd inte bensin, förtunningsmedel, alkohol eller liknande. Missfärgning, deformation eller sprickor kan uppstå.

För att upprätthålla produktens SÄKERHET och TILLFÖRLITLIGHET bör allt underhålls- och justeringsarbete utföras av ett auktoriserat Makita servicecenter och med reservdelar från Makita.

## Rensning av fett

När verktyget tas i förvar eller en cylinder används som det är fett kvar i, ska cylindern tas bort och det gamla fettets rensas bort enligt följande procedur.

1. Lossa luftutsläppsventilen.
2. Dra ut stånghandtaget helt och lås det.
3. Ta bort cylindern från verktyget.
4. Lossa stånghandtaget. Fortsätt hålla i stånghandtaget och för långsamt stånghandtaget framåt så fett kommer ut ur cylindern.

**⚠FÖRSIKTIGT:** Ta inte bort handen från stånghandtaget. Gör du det hoppar fett ut våldsamt.

**OBSERVERA:** Håll cylinderns insida fri från damm. Damm kan fastna i verktyget.

**OBSERVERA:** Rengör tunnans insida var tredje månad.

## VALFRIA TILLBEHÖR

**⚠FÖRSIKTIGT:** Följande tillbehör eller tillsatser rekommenderas för användning med den Makita-maskin som denna bruksanvisning avser. Om andra tillbehör eller tillsatser används kan det uppstå risk för personskador. Använd endast tillbehören eller tillsatserna för de syften de är avsedda för.

Kontakta ditt lokala Makita servicecenter om du behöver ytterligare information om dessa tillbehör.

- Adapter
- Flexibel slang
- Cylinder
- Patroncylinder
- Bårsele
- Lås på adaptern
- Vinkeladapter
- Makitas originalbatteri och -laddare

**OBS:** Några av tillbehören i listan kan vara inkluderade i maskinpaketet som standardtillbehör. De kan variera mellan olika länder.

## Byta av adapter

Lossa och ta bort den gamla adaptern med två nycklar enligt bilden och spänn sedan åt den nya adaptern säkert.

► Fig.24

**OBS:** Om det läcker fett från fogen mellan slangen och adaptern, lindar du gängtätningstejp runt slangens gängdel innan du ansluter adaptern.

## Byta av den flexibla slangen

Lossa och ta bort den gamla flexibla slangen med en nyckel enligt bilden och spänn sedan åt den nya flexibla slangen säkert.

► Fig.25

**⚠FÖRSIKTIGT:** Sätt samtidigt tillbaka gummiringen som sitter fast på den nya flexibla slangens kopplingsdel. Om du sätter tillbaka den flexibla slangen utan gummiringen eller med den gamla gummiringen, kan det läcka ut fett som orsakar skada.

## Byta cylindern

**OBS:** Cylindertypen varierar beroende på land.

**OBS:** För att installera en cylinder av en annan typ behövs ytterligare delar enligt beskrivningen nedan, beroende på typen av cylinder.

## Byta cylinder från A-typ till B-typ/C-typ

1. Ta bort cylindern av A-typ.
2. Ta bort skruven och sedan hylsan.  
► Fig.26: 1. Hylsa 2. Skruv
3. Sätt in kopplingen med gummipackningen samtidigt som du passar in fliken med räfflan på fästdelen och sedan fäster den med skruvar.
4. Installera cylindern av B-typ/C-typ.  
► Fig.27: 1. Koppling 2. Gummipackning 3. Flik 4. Räffla 5. Skruv

## Byta cylinder från B-typ/C-typ till A-typ

1. Ta bort cylindern av B-typ/C-typ.
2. Skruva loss och ta bort kopplingen.  
► **Fig.28:** 1. Koppling 2. Gummipackning 3. Skruv
3. Sätt in hylsan i verktygshöljet och fäst den sedan med en skruv.
4. Installera cylindern av A-typ.  
► **Fig.29:** 1. Hylsa 2. Skruv

### Patroncylinder

Du kan se fettpatronen genom hålet på patroncylindern.

► **Fig.30**

När du använder patroncylindern överför du kolvdelen från den motsvarande cylindern till patroncylindern.

► **Fig.31:** 1. Kolvdelen 2. Patroncylinder

Om det är svårt att dra ut stånghandtaget följer du proceduren nedan.

1. Sätt in den tomma fettpatronen i cylindern.

► **Fig.32:** 1. Tom fettpatron

2. Dra ut stånghandtaget och lås det.

► **Fig.33**

3. Ta bort den tomma fettpatronen från cylindern.

### Lås på adaptern

**⚠ FÖRSIKTIG:** Var försiktig så att du inte klämmer fingret i låsadaptern.

**⚠ FÖRSIKTIG:** Ha på skyddsglasögon. När du tar bort låset på adaptern från smörjnippeln, kan fettet spruta ut ur verktyget och orsaka skada.

När du kopplar låsadaptern till smörjnippeln, trycker du låsadaptern rakt på smörjnippeln samtidigt som du drar i låsadapterns spak, sedan släpper du spaken.

► **Fig.34:** 1. Spak 2. Låsadapter

För att montera låsadaptern se avsnittet om byte av adapter.

### Vinkeladapter

När vinkeladaptern sätts fast skjuter du verktygets adapter rakt mot vinkeladaptern.

► **Fig.35:** 1. Vinkeladapter

## TEKNISKE DATA

<b>Modell:</b>		<b>DGP180</b>
Nominell spenning		DC 18 V
Kapasitet smørefett (med tønne av A-typen)	Patron	410 g
	Bulk	455 g
Smørefett kapasitet (med tønne av B-typen)	Patron	450 g
	Bulk	570 g
Maksimalt driftstrykk		69 MPa
Maksimal strømningshastighet	Modus for lav hastighet	145 ml/min
	Modus for automatisk hastighet	290 ml/min
Anvendelig type smørefett		NLGI nr.0 – nr.2
Slangelengde		1 200 mm
Total lengde	Med tønne av A-typen	411 mm
	Med tønne av B-typen	449 mm
Nettvekt		4,8 - 6,1 kg

**MERK:** Tønnetypene (type A eller B) varierer fra land til land.

- På grunn av vårt kontinuerlige forsknings- og utviklingsprogram kan spesifikasjonene som oppgis i dette dokumentet endres uten varsel.
- Spesifikasjoner og batteriinnsett kan variere fra land til land.
- Vekten kan variere avhengig av tilbehøret/tilbehørene, inkludert batteriet. Den letteste og tyngste kombinasjonen, i henhold til EPTA-prosedyre 01/2014, vises i tabellen.

## Passende batteri og lader

Batteriinnsett	BL1815N / BL1820B / BL1830B / BL1840B / BL1850B / BL1860B
Lader	DC18RC / DC18RD / DC18RE / DC18SD / DC18SE / DC18SF / DC18SH

- Noen av batteriene og laderne som er opplistet ovenfor er kanskje ikke tilgjengelige, avhengig av hvor du bor.

**⚠ ADVARSEL:** Bruk kun de batteriene og laderne som er opplistet ovenfor. Bruk av andre batterier og ladere kan føre til personskader og/eller brann.

## Riktig bruk

Dette verktøyet er beregnet på fordeling av smørefett.

## Støy

Typisk A-vektet lydtrykknivå er bestemt i henhold til EN62841-1:

Lydtrykknivå ( $L_{pA}$ ): 76 dB (A)

Usikkerhet (K): 3 dB (A)

**MERK:** Den/de oppgitte verdien(e) for genererte vibrasjoner har blitt målt i henhold til standard testmetoder, og kan bli brukt til å sammenligne ett verktøy med et annet.

**MERK:** Den/de angitte verdien(e) for de genererte vibrasjonene kan også brukes til en foreløpig vurdering av eksponeringen.

**⚠ ADVARSEL:** Bruk hørselsvern.

**⚠ ADVARSEL:** De genererte vibrasjonene ved faktisk bruk av elektroverktøyet kan avvike fra den/de angitte vibrasjonsverdien(e), avhengig av hvordan verktøyet brukes.

**⚠ ADVARSEL:** Sørg for å identifisere vernetiltak for å beskytte operatøren, som er basert på et estimat av eksponeringen under de faktiske bruksforholdene (idet det tas hensyn til alle deler av driftssyklusen, dvs. hvor lenge verktøyet er slått av, hvor lenge det går på tomgang og hvor lenge startbryteren faktisk holdes trykket).

## Vibrasjoner

Den totale vibrasjonsverdien (triaksial vektorsum) bestemt i henhold EN62841-1:

Genererte vibrasjoner ( $a_h$ ): 2,5 m/s<sup>2</sup> eller mindre  
Usikkerhet (K): 1,5 m/s<sup>2</sup>

**MERK:** Den/de oppgitte verdien(e) for totalt genererte vibrasjoner har blitt målt i henhold til standard testmetoder, og kan bli brukt til å sammenligne ett verktøy med et annet.

**MERK:** Den/de angitte verdien(e) for totalt genererte vibrasjoner kan også brukes til en foreløpig vurdering av eksponeringen.

**⚠ ADVARSEL:** De genererte vibrasjonene ved faktisk bruk av elektroverktøyet kan avvike fra den/de angitte vibrasjonsverdien(e), avhengig av hvordan verktøyet brukes og spesielt i forhold til arbeidsstykket som blir behandlet.

**⚠ ADVARSEL:** Sørg for å identifisere vernetiltak for å beskytte operatøren, som er basert på et estimat av eksponeringen under de faktiske bruksforholdene (idet det tas hensyn til alle deler av driftssyklusen, dvs. hvor lenge verktøyet er slått av, hvor lenge det går på tomgang og hvor lenge startbryteren faktisk holdes trykket).

## EFs samsvarserklæring

*Gjelder kun for land i Europa*

EFs samsvarserklæring er lagt til som vedlegg A i denne bruksanvisningen.

## SIKKERHETSADVARSEL

### Generelle advarsler angående sikkerhet for elektroverktøy

**⚠ ADVARSEL:** Les alle sikkerhetsadvarsler, instruksjoner, illustrasjoner og spesifikasjoner som følger med dette elektroverktøyet. Hvis ikke alle instruksjonene nedenfor følges, kan det forekomme elektrisk støt, brann og/eller alvorlig skade.

### Oppbevar alle advarsler og instruksjoner for senere bruk.

Uttrykket «elektrisk verktøy» i advarslene refererer både til elektriske verktøy (med ledning) tilkoblet strømmettet, og batteridrevne verktøy (uten ledning).

## Sikkerhetsadvarsler for batteridreven smørepistol

1. **Hold godt fast i verktøyet.**
2. **Ikke bruk verktøyet nær åpne flammer.** Fettet kan være brannfarlig.
3. **Bare bruk smørefett som er i henhold til spesifikasjonene angitt i denne bruksanvisningen.** Påfylling av forskjellig type fett eller annet materiale enn fett kan føre til at verktøyet svikter.
4. **Ikke installer noen andre materialer enn fett, som f.eks. olje.** Det kan sprute ut av verktøyet og inn i øynene.
5. **Ikke bær verktøyet ved å holde i den fleksible slangen eller stanghåndtaket.**
6. **Benytt vernebriller når du bruker verktøyet.**
7. **Kontroller den fleksible slangen før bruk. Ikke bruk slangen hvis den bøyd eller skadet.** Slangen kan revne ved høyt trykk og fett kan sprute inn i øynene.
8. **Pass på at stangen sitter godt fast.** Stangen kan bevege seg utilsiktet og forårsake en klemskade.
9. **Les og følg instruksjonene fra produsenten av smørefettet før bruk.**
10. **Hold hender og klær unna stangen og håndtaket.** Ellers kan fingrene eller klærne komme i klem.
11. **Tørk av fett som har satt seg på verktøyet.** Det kan føre til at man sklir, og påføres personskade.
12. **Ikke bøy den fleksible slangen med makt eller klem den.** Hvis du gjør det, kan slangen knekke eller bli misformet.
13. **Ikke pek med adapteren mot noen i nærheten.**
14. **Bare bruk den fleksible slangen som er angitt av Makita.** Bruk av alle andre slanger kan forårsake personskader.

## TA VARE PÅ DISSE INSTRUKSENE.

### Viktige sikkerhetsanvisninger for batteriinnsetning

1. **Før du begynner å bruke batteriet, må du lese alle anvisninger og forsiktighetsregler på (1) batteriladeren, (2) batteriet og (3) det produktet batteriet skal brukes i.**
2. **Ikke demonter eller tukle batteriet.** Det kan føre til brann, overoppheting eller eksplosjon.
3. **Hvis driftstiden er blitt vesentlig kortere, må du omgående slutte å bruke maskinen.** Hvis ikke kan resultatet bli overoppheting, mulige forbrenninger eller til og med en eksplosjon.
4. **Hvis du får elektrolytt i øynene, må du skylle dem med store mengder rennende vann og oppsøke lege med én gang.** Denne typen uhell kan føre til varig blindhet.
5. **Ikke kortslutt batteriet:**
  - (1) **De kan være ekstremt varme og du kan brenne deg.**
  - (2) **Ikke lagre batteriet i samme beholder som andre metallgjenstander, som for eksempel spiker, mynter osv.**
  - (3) **Ikke la batteriet komme i kontakt med vann eller regn.**

En kortslutning av batteriet kan føre til et kraftig strømstøt, overoppvarming, mulige forbrenninger og til og med til at batteriet går i stykker.

- Ikke oppbevar og bruk verktøyet og batteriet på steder hvor temperaturen kan komme opp eller overskride 50 °C.
- Ikke sett fyr på batteriet, ikke engang om det er sterkt skadet eller helt utslitt. Batteriet kan eksplodere hvis det begynner å brenne.
- Du må ikke spikre, skjære, klemme, kaste eller miste batteriet, og heller ikke slå en hard gjenstand mot batteriet. En slik oppførsel kan føre til brann, overoppheting eller eksplosjon.
- Ikke bruk batterier som er skadet.
- Lithium-ion-batteriene som medfølger er gjenstand for krav om spesialavfall.  
For kommersiell transport, f.eks av tredjeparter eller speditører, må spesielle krav om pakking og merking følges.  
Før varen blir sendt, må du forhøre deg med en ekspert på farlig materiale. Ta også hensyn til muligheten for mer detaljerte nasjonale bestemmelser.  
Bruk teip eller maskeringsteip for å skjule åpne kontakter og pakk inn batteriet på en slik måte at den ikke kan bevege seg rundt i emballasjen.
- Når du kasserer batteriinnsetsen, må du ta den ut av verktøyet og avhende den på et sikkert sted. Følg lokale bestemmelser for avhendig av batterier.
- Bruk batteriene kun med produkter spesifisert av Makita. Montere batteriene i produkter som ikke er konforme kan føre til brann, overheting eller elektrolyttlekkasje.
- Hvis verktøyet ikke skal brukes over en lengre periode, må batteriet tas ut av verktøyet.
- Under og etter bruk kan batteriet bli varmt og føre til brannskader. Vær forsiktig med håndteringen av varme batterier.

- Ikke berører terminalen på verktøyet rett etter bruk, da den kan bli varm og forårsake brannskader.
- Ikke la spon, støv eller jord sette seg fast i terminalene, hullene og sporene i batteriet. Det kan føre til dårlig ytelse eller at verktøyet eller batteriet slutter å fungere.
- Med mindre verktøyet støtter bruk nær en høyspent strømlinje, skal ikke batteriet brukes nær en høyspent strømlinje. Det kan føre til en funksjonsfeil eller at verktøyet eller batteriet slutter å fungere.
- Oppbevar batteriet utilgjengelig for barn.

## TA VARE PÅ DISSE INSTRUKSENE.

**⚠FORSIKTIG:** Bruk kun originale Makita-batterier. Bruk av batterier som har endret seg, eller som ikke er originale Makita-batterier, kan føre til at batteriet sprekker og forårsaker brann, personskader og andre skader. Det vil også ugyldiggjøre garantien for Makita-verktøyet og -laderen.

## Tips for å opprettholde maksimal batterilevetid

- Lad batteriinnsetsen før den er helt utladet. Stopp alltid driften av verktøyet og lad batteriinnsetsen når du merker at effekten reduseres.
- Lad aldri en batteriinnsets som er fulladet. Overopplading forkorter batteriets levetid.
- Lad batteriet i romtemperatur ved 10 °C - 40 °C. Et varmt batteri må kjøles ned før lading.
- Når batteriet ikke er bruk, skal det tas ut av verktøyet eller laderen.
- Lad batteriet hvis det ikke har vært brukt på en lang stund (over seks måneder).

## DELEBESKRIVELSE

► Fig.1

1	Startbryter	2	Sperreknapp	3	Lampebryter
4	Lampe	5	Låseknapp	6	Knapp til endring av hastighetsmodus
7	Luftavløp	8	Påfyllingsplugg	9	Fleksibel slange
10	Adapter	11	Stropphull	12	Batteri
13	Tønne	14	Stanghåndtak	15	Slangeholder
16	Trykkavlastningsventil	17	Skulderstropp	-	-

## FUNKSJONSBEKRIVELSE

**⚠FORSIKTIG:** Forviss deg alltid om at maskinen er slått av og batteriet tatt ut før du justerer maskinen eller kontrollerer dens mekaniske funksjoner.

### Sette inn eller ta ut batteri

**⚠FORSIKTIG:** Slå alltid av verktøyet før du setter inn eller fjerner batteriet.

**⚠FORSIKTIG:** Hold verktøyet og batteripatronen i et fast grep når du monterer eller fjerner batteripatronen. Hvis du ikke holder verktøyet og batteripatronen godt fast, kan du miste grepet, og dette kan føre til skader på verktøyet og batteripatronen samt personskader.

► **Fig.2:** 1. Rød indikator 2. Knapp 3. Batteriinnsetts

For å ta ut batteriet må du skyve på knappen foran på batteriet og trekke det ut.

Når du skal sette inn batteriet, må du plassere tungen på batteriet på linje med sporet i huset og skyve batteriet på plass. Skyv det helt inn til det går i inngrep med et lite klikk. Hvis du kan se den røde indikatoren på oversiden av knappen, er det ikke fullstendig låst.

**⚠FORSIKTIG:** Batteriet må alltid settes helt inn, så langt at den røde indikatoren ikke lenger er synlig. Hvis dette ikke gjøres, kan batteriet falle ut av verktøyet og skade deg eller andre som oppholder seg i nærheten.

**⚠FORSIKTIG:** Ikke bruk makt når du setter i batteriet. Hvis batteriet ikke glir lett inn, er det fordi det ikke settes inn på riktig måte.

### Batterivernsystem for verktøy/batteri

Verktøyet er utstyrt med et batterivernsystem for verktøy/batteri. Dette systemet kutter automatisk strømmen til motoren for å forlenge verktøyets og batteriets levetid. Verktøyet stopper automatisk under drift hvis verktøyet eller batteriet utsettes for en av følgende tilstander:

#### Overlastsikring

Når verktøyet/batteriet brukes på en måte som gjør at det bruker unormalt mye strøm, vil verktøyet stoppe automatisk og uten forvarsel. I dette tilfellet må du slå av verktøyet og avslutte bruken som forårsaket at verktøyet ble overbelastet. Slå deretter verktøyet på for å starte det igjen.

#### Overopphetingsvern

Når verktøyet eller batteriet er overopphetet, stanser maskinen automatisk, og lampen blinker. I dette tilfellet, la verktøyet og batteriet avkjøles før du starter verktøyet på nytt.

#### Overutladningsvern

Når det blir batterikapasiteten er utilstrekkelig, stopper verktøyet automatisk. I så fall fjerner du batteriet fra verktøyet og lader det.

**MERK:** Vernesystemet vil mer sannsynlig slå ut avhengig av omgivelsestemperaturen eller typen og tilstanden til smørefettet.

## Indikere gjenværende batterikapasitet

**Kun for batterier med indikatoren**

► **Fig.3:** 1. Indikatorlamper 2. Kontrollknapp

Trykk på sjekk-knappen på batteriet for vise gjenværende batterikapasitet. Indikatorlampene lyser i et par sekunder.

Indikatorlamper			Gjenværende batterinivå
Tent	Av	Blinker	
■ ■ ■ ■	□ □ □ □	□ □ □ □	75 % til 100 %
■ ■ ■ □	□ □ □ □	□ □ □ □	50 % til 75 %
■ ■ □ □	□ □ □ □	□ □ □ □	25 % til 50 %
■ □ □ □	□ □ □ □	□ □ □ □	0 % til 25 %
■ □ □ □	□ □ □ □	□ □ □ □	Lad batteriet.
■ ■ □ □	□ □ □ □	□ □ □ □	Batteriet kan ha en feil.
□ □ □ □	□ □ □ □	■ ■ □ □	

**MERK:** Det angitte nivået kan avvike noe fra den faktiske kapasiteten alt etter bruksforholdene og den omgivende temperaturen.

**MERK:** Den første (helt til venstre) indikatorlampen vil blinke når batterivernsystemet fungerer.

### Bryterfunksjon

**⚠FORSIKTIG:** Før du setter batteriet inn i maskinen, må du alltid kontrollere at startbryteren aktiverer maskinen på riktig måte og går tilbake til «AV»-stilling når den slippes.

**⚠FORSIKTIG:** Når du er ferdig med å bruke verktøyet, trykker du inn AV-sperreknappen fra «A»-siden for å låse startbryteren i stillingen AV.

Verktøyet er utstyrt med en låseknapp, som hindrer at startbryteren trykkes inn ved en feiltakelse.

For å starte verktøyet må du trykke på AV-sperreknappen fra «B»-siden og trekke i startbryteren.

Når du trykker hardere på startbryteren, økes hastigheten på verktøyet. Slipp startbryteren for å stanse verktøyet. Etter bruk må du alltid trykke inn AV-sperreknappen fra «A»-siden.

For kontinuerlig bruk må du trykke inn startbryteren og deretter sperreknappen. Hvis du vil stanse verktøyet mens det er låst, må du trekke startbryteren helt for å låse opp.

► **Fig.4:** 1. Startbryter 2. Sperreknapp 3. Låseknapp

## Tenne frontlampe

**⚠️ FORSIKTIG:** Ikke se inn i lyset eller se direkte på lyskilden.

Trykk på lampeknappen for å tenne lampen. Trykk på lampebryteren på nytt for å slukke lampen. Når verktøyet etterlates uten bruk i ca. 60 sekunder med motoren av, slukkes lampen.

► **Fig.5:** 1. Lampe 2. Lampebryter

**OBS:** Bruk en tørr klut til å tørke støv osv. av lampe-linsen. Vær forsiktig så det ikke blir riper i lampelin-sen, da dette kan redusere lysstyrken.

## Valg av hastighetsmodus

**OBS:** Hastighetsmodusen må bare endres etter at verktøyet har stanset helt.

Verktøyet har en knapp for endring av hastighetsmodus. Drei knotten slik at pilen peker en av de to mediene nedenfor.

1	<b>Modus for lav hastighet:</b> Påfør fett med en jevn, sakte fart.
2	<b>Modus for automatisk hastighet:</b> Påfør fett mens strømningshastigheten varieres automatisk etter trykket i forsyningen.

► **Fig.6:** 1. Knapp til endring av hastighetsmodus

## Trykkavlastningsventil

Når det innvendige trykket i verktøyet overstiger ett nivå, kommer fett ut gjennom trykkavlastningsventilen for å senke det innvendige trykket.

► **Fig.7:** 1. Trykkavlastningsventil

**⚠️ FORSIKTIG:** Når det kommer ut fett fra trykkavlastningsventilen, tørk det av med en tørr klut eller lignende. Det kan føre til at man sklir, og påføres personskade.

## MONTERING

**⚠️ FORSIKTIG:** Forviss deg alltid om at maskinen er slått av og batteriet tatt ut før du utfører noe arbeid på maskinen.

### Ta av eller sette på tønne

For å ta av tønne, skru som vist i illustrasjonen.

► **Fig.8:** 1. Tønne

For å montere tønne, setter du det inn i verktøyet, og skrur i motsatt retning.

► **Fig.9:** 1. Tønne

## Stanghåndtak

Trekk i stanghåndtaket når du fyller fett i tønne.

► **Fig.10:** 1. Stanghåndtak 2. Stang

For å låse stanghåndtaket helt uttrukket, trekk stanghåndtaket til du kan se sporet på stangen, og så hekte du sporet inn i falsen. For å låse opp stanghåndtaket, hekt av sporet slik at stangen beveger seg fremover.

► **Fig.11:** 1. Spor 2. Spor

**⚠️ FORSIKTIG:** Pass på at stanghåndtaket er låst fast. Hvis ikke kan det låses opp ved et uhell og forårsake klemskader.

**MERK:** For å trekke i stanghåndtaket mens tønne sitter i verktøyet, løsner du ventilen på luftuttaket for å la det komme luft inn i tønne.

## Slangeholder

Slangen kan festes på begge sider av verktøyet med skruen.

► **Fig.12:** 1. Slangeholder 2. Skru

## Skulderstropp

**⚠️ ADVARSEL:** Stropphullet må aldri brukes til fangsnor (sikkerhetsstropp). Hvis du gjør dette kan det føre til en personskade fordi stropphullet ikke er ment som en verneinnretning som forhindrer fall.

**⚠️ ADVARSEL:** Når du bærer verktøyet, må du fortsatt holde i verktøyet selv om du bruker skulderstroppen. Hvis du bærer verktøyet kun i skulderstroppen, blir verktøyet ustabil. Skulderstroppen kan løsne eller verktøyet treffe andre gjenstander og forårsake personskade.

Fest krokene til skulderstroppen på festene som vist på figuren.

► **Fig.13:** 1. Skulderstropp 2. Krok 3. Feste

## BRUK

### Forsyning av smørefett

**⚠️ ADVARSEL:** Vær sikker på at du har lest bruksanvisningen for smørefett og/eller annet redskap og erstatt det følgende innholdet ved behov. Feil bruk eller bruk som ikke er i henhold til instruksjonene kan føre til at verktøyet blir skadet eller forårsake en personskade.

**OBS:** Når du bruker tønne med gamle fettrester, ta av tønne og tøm ut det gamle fett i henhold til avsnittet om uttømming av fett.

Tilførsel av fett kan gjøres på disse måtene:

## Installere en fettinnsats (kjøpes kommersielt) i tønne

**OBS:** (Kun for sylinder av type A)

**Bruk fettinnsatsen hvis randen kan hektes på endeflaten av fatet.**

**OBS:** (Kun for sylinder av type B/type C)

**Bruk fettinnsatsen hvis randen kan hektes på innsiden av fatet.**

1. Ta tønne ut av verktøyet og trekk stanghåndtaket helt ut og lås det.

2. Ta av plastlokket på fettinnsatsen og sett fettinnsatsen inn i tønne.

► **Fig.14:** 1. Fettinnsats (kjøpes kommersielt) 2. Trekk i tappen

3. Fjern tappen fra fettinnsatsen og sett tønne inn i verktøyet.

Hvis det er et avstand mellom randen av fettinnsatsen og fatet, skru fatet inn i verktøyet mens du skyver fatet fremover.

► **Fig.15**

4. Frigjør stanghåndtaket.

► **Fig.16**

5. Støt ut luften som befinner seg i banen til smørefettet. (Se avsnittet om utslipp av luft.)

## Påfylling av smørefett i tønne fra en bulkbeholder (kjøpt kommersielt)

1. Ta tønne av verktøyet.

2. Dypp spissen av tønne inn i fettet og trekk i stanghåndtaket. Fettet pumpes inn i tønne.

► **Fig.17:** 1. Bulkbeholder (kjøpes kommersielt)

3. Trekk stanghåndtaket helt inn, og lås det.

► **Fig.18**

4. Installer tønne i verktøyet og så låser du opp stanghåndtaket.

5. Støt ut luften som befinner seg i banen til smørefettet. (Se avsnittet om utslipp av luft.)

**OBS:** Når du låser stanghåndtaket, må du passe på at stanghåndtaket er låst fast. Ellers vil stanghåndtaket låse seg opp utilsiktet og smørefettet lekker ut fra sylindere.

**MERK:** (Kun for sylindere av type B/type C)

**Mengden smørefett som fylles på skal være under skruespørinjen.** Ellers vil smørefettet tyte ut når sylindere monteres på verktøyet.

► **Fig.19:** 1. Sylindere (type B/type C) 2. Skruespor 3. Smørefett

**Du kan også fylle fettet inn i tønne med en påfyllingspumpe (finnes kommersielt) som er festet til bulkbeholderen.**

1. Ta av påfyllingspluggen. Fest et ladefeste (kjøpes kommersielt) på påfyllingsporten.

2. Når tønne er satt på verktøyet kobles ladefestet på festet til påfyllingspumpen.

► **Fig.20:** 1. Påfyllingsplugg 2. Påfyllingsport

3. Ladefeste (kjøpt kommersielt)

4. Påfyllingspumpe (kjøpt kommersielt)

5. Tilkobling

3. Pump med påfyllingspumpen. Stangen til stanghåndtaket vil skyves ut etter hvert som tønne fylles med fett.

► **Fig.21**

4. Koble fra tilførselsfestet fra festet til påfyllingspumpen.

5. Støt ut luften som befinner seg i banen til smørefettet. (Se avsnittet om utslipp av luft.)

**⚠ADVARSEL:** Bare bruk et tilførselsfeste med lavt trykk. Aldri bruk et tilførselsfeste med høyt trykk. Det kan skade verktøyet og forårsake personskader.

**⚠FORSIKTIG:** Hold godt tak i verktøyet når du fyller på fett med en påfyllingspumpe. Verktøyet kan falle ned og forårsake personskade.

**OBS:** Slutt å fylle på smørefett når du ser sporet på stangen. Ellers kan det oppstå lekkasje av smørefett.

## Tømming av luft

Hvis det er luft i strømningsveien for fett, kan ikke verktøyet helle ut fett nøyaktig. Tøm ut luft før hver bruk, og også når det virker som om verktøyet ikke virker som det skal på grunn av luft.

1. For å tømme luft ut av verktøyet, åpner du ventilen for lufttømming. Luft kommer ut av hullet til luftavløpet.

2. Lukk ventilen igjen når du ser fett komme ut av hullet.

► **Fig.22:** 1. Ventil

**⚠ADVARSEL:** Bruk vernebriller når du tømmer ut luften.

**⚠FORSIKTIG:** Tørk av fettet som kommer ut av luftutløpet med en tørr klut eller lignende. Det kan føre til at man sklir, og påføres personskade.

## Påføring av smørefettet

I de følgende tilfellene må det gamle fettet tømme ut av verktøyet før bruk,

— Når du bruker verktøyet for første gang eller,

— Når du bruker en annen fettype enn forrige bruk.

Når det nye smørefettet er fylt i tønne, kjøres verktøyet en stund til det gamle fettet er skjøvet ut av adapteren.

**OBS:** Ikke koble adapteren på smørenippelen før det gamle fettet er tømt ut. Hvis forskjellige fettyper blandes, kan ytelsen til smøremiddelet reduseres.

**MERK:** Verktøyet har blitt testet i fabrikk, og små fettmengder blir igjen.

Følg denne fremgangsmåten for å påføre fett:

**⚠FORSIKTIG:** Før du begynner å bruke maskinen, må du alltid sjekke hastighetsmodusen.

**OBS:** Før adapteren tilkobles smørenippelen, må det påses at verktøyet avgir fett riktig.

**OBS:** Ikke bruk kraft når du kobler adapteren på smørenippelen.



1. Tørk fettene av adapteren og smørenippelen før sammenkobling. Skyv adapteren rett mot smørenippelen.

2. Trekk i startbryteren for å få ut smørefettet.

► Fig.23

3. Når smøringsarbeidet er fullført, tas adapteren av smørenippelen. Hold adapteren litt på skrå for å frigjøre innvendig trykk, og ta deretter adapteren av smørenippelen.

Tørk smørefettet av adapteren og smørenippelen.

**OBS:** Ikke gå fra verktøyet mens det er i gang, selv etter at det er tomt for fett. Det forkorter verktøyet levetid.

**MERK:** Hvis det innvendige trykket øker mens startbryteren ikke er fullt trykket ut, vil verne-systemet slå inn og motoren vil stanse, selv om verktøyet ikke når det maksimale driftstrykket. Trekk startbryteren helt ut når du tilfører fett med høyt trykk.

**MERK:** Verktøyet stopper automatisk når det har vært i drift i mer enn 6 minutter.

## VEDLIKEHOLD

**⚠FORSIKTIG:** Forviss deg alltid om at maskinen er slått av og batteriet tatt ut før du foretar inspeksjon eller vedlikehold.

**OBS:** Aldri bruk gasolin, bensin, tynner alkohol eller lignende. Det kan føre til misfarging, deformering eller sprekkdannelse.

For å opprettholde produktets SIKKERHET og PÅLITELIGHET, må reparasjoner, vedlikehold og justeringer utføres av autoriserte Makita servicesentre eller fabrikksservicesentre, og det må alltid brukes reservedeler fra Makita.

## Tømme ut fett

Ved oppbevaring av verktøyet, eller når du bruker tønningen med gamle fettrester, ta av tønningen og tøm ut det gamle fettene i henhold til denne prosedyren.

1. Løsne ventilen for luftavløp.
2. Trekk stanghåndtaket helt inn, og lås det.
3. Ta tønningen av verktøyet.
4. Lås opp stanghåndtaket. Fortsett å holde stanghåndtaket og beveg stanghåndtaket fremover slik at fettene kommer ut av tønningen.

**⚠FORSIKTIG:** Ikke ta hånden vekk fra stanghåndtaket. Hvis du gjør det vil fettene komme ut i ukontrollerte mengder.

**OBS:** Ikke la støv komme inn i tønningen. Støv kan blokkere verktøyet.

**OBS:** Rengjør innsiden av fatet en gang hver tredje måned.

## VALGFRITT TILBEHØR

**⚠FORSIKTIG:** Det anbefales at du bruker dette tilbehøret eller verktøyet sammen med den Makita-maskinen som er spesifisert i denne håndboken. Bruk av annet tilbehør eller verktøy kan forårsake personskader. Tilbehør eller verktøy må kun brukes til det formålet det er beregnet på.

Ta kontakt med ditt lokale Makita-servicesenter hvis du trenger mer informasjon om dette tilbehøret.

- Adapter
- Fleksibel slange
- Tønne
- Innsatstønne
- Skulderstropp
- Lås på adapteren
- Vinkeladapter
- Makita originalbatteri og lader

**MERK:** Enkelte elementer i listen kan være inkludert som standardtilbehør i verktøypakken. Elementene kan variere fra land til land.

## Utskiftning av adapteren

Løsne og ta av den gamle adapteren med to skrunøkler som vist, og så strammes den nye adapteren godt.

► Fig.24

**MERK:** Hvis det lekker ut smørefett i sammenføyningen mellom slangen og adapteren, vikler du gjengetetningsteipen rundt gjengedelen på slangen før du kobler til adapteren.

## Utskiftning av den fleksible slangen

Løsne og ta av den gamle slangen med en skrunøkkel som vist, og så strammes den nye slangen godt.

► Fig.25

**⚠FORSIKTIG:** Skift gummiringen som sitter i koblingen til den fleksible slangen samtidig. Hvis du skifter den fleksible slangen uten gummiringen eller bruker en gammel gummiring, kan smørefett lekke ut og forårsake en personskade.

## Skifte tønne

**MERK:** Tønnetypene varierer fra land til land.

**MERK:** For å installere en tønne av en annen type, er det nødvendig med ekstra deler, som beskrives nedenfor, avhengig av tønnetypen.

## Skifte tønningen fra type A til type B/type C

1. Ta av tønningen av type A.
2. Skru ut skruen og ta så av hylsen.  
► Fig.26: 1. Hylse 2. Skru
3. Sett inn leddet med gummipakningen mens du retter inn tappen med sporet på delen som skal monteres, og så sikres det med skruer.
4. Sett på tønningen av type B/type C.  
► Fig.27: 1. Kobling 2. Gummipakning 3. Tapp 4. Spor 5. Skru

## Skifte tønne fra type B/type C til type A

1. Ta av tønne av type B/type C.
2. Skru ut, og ta av leddet.  
► **Fig.28:** 1. Kobling 2. Gummipakning 3. Skru
3. Sett hylsen inn i verktøyhuset, og så sikrer du den med en skru.
4. Sett på tønne av type A.  
► **Fig.29:** 1. Hylse 2. Skru

### Innsattstønne

Du kan se fettinnsatsen gjennom hullet i innsattstønne.

► **Fig.30**

Når du bruker innsattstønne, overfører du stempeldele fra den tilsvarende tønne til innsattstønne.

► **Fig.31:** 1. Stempeldeler 2. Innsattstønne

Hvis det er vanskelig å trekke ut stanghåndtaket, følger du fremgangsmåten under.

1. Før den tomme fettinnsatsen inn i sylindere.

► **Fig.32:** 1. Tømme fettinnsats

2. Trekk i stanghåndtaket, og lås det.

► **Fig.33**

3. Ta den tomme fettinnsatsen ut av sylindere.

### Lås på adapteren

**⚠FORSIKTIG:** Pass på at du ikke klemmer fingeren i låsen på adapteren.

**⚠FORSIKTIG:** Bruk vernebriller. Når du tar låsen på adapteren bort fra smørenippelen, kan det hende at smørefettet spruter ut av verktøyet og fører til personskade.

Når du kobler låsen på adapteren til smørenippelen, skyver du låsen rett mot smørenippelen mens du drar i hendelen til låsen på adapteren, og så slipper du hendelen.

► **Fig.34:** 1. Hendel 2. Lås på adapteren

Når du skal montere låsen på adapteren, må du lese avsnittet om å skifte adapter.

### Vinkeladapter

Når du setter på vinkeladapteren, skyver du adapteren på verktøyet rett i forhold til vinkeladapteren.

► **Fig.35:** 1. Vinkeladapter

## TEKNISEET TIEDOT

<b>Malli:</b>		<b>DGP180</b>
Nimellisjännite		DC 18 V
Rasvakapasiteetti (A-tyypin sylinterillä)	Patruuna	410 g
	Bulkki	455 g
Rasvakapasiteetti (B-tyypin sylinterillä)	Patruuna	450 g
	Bulkki	570 g
Suurin toimintapaine		69 MPa
Suurin virtausnopeus	Hitaan nopeuden tila	145 ml/min
	Automaattinen nopeustila	290 ml/min
Käytettävän rasvan tyyppi		NLGI 0–2 asti
Letkun pituus		1 200 mm
Kokonaispituus	A-tyypin sylinterillä	411 mm
	B-tyypin sylinterillä	449 mm
Nettopaino		4,8–6,1 kg

**HUOMAA:** Sylinterin tyyppi (A tai B) vaihtelee maan mukaan.

- Jatkuvasta tutkimus- ja kehitystyöstämme johtuen esitetyt tekniset tiedot saattavat muuttua ilman erillistä ilmoitusta.
- Tekniset tiedot ja akkupaketti voivat vaihdella maittain.
- Paino voi olla erilainen lisävarusteista sekä akusta johtuen. EPTA-menetellytavan 01/2014 mukaisesti, taulukossa on kuvattu kevyin ja painavin laiteyhdistelmä.

## Käytettävä akkupaketti ja laturi

Akkupaketti	BL1815N / BL1820B / BL1830B / BL1840B / BL1850B / BL1860B
Laturi	DC18RC / DC18RD / DC18RE / DC18SD / DC18SE / DC18SF / DC18SH

- Tiettyjä yläpuolella kuvattuja akkuja ja latureita ei ehkä ole saatavana asuinalueestasi johtuen.

**VAROITUS:** Käytä vain edellä eriteltyjä akkupaketteja ja latureita. Muiden akkupakettien ja laturien käyttäminen voi aiheuttaa loukkaantumisen ja/tai tulipalon.

## Käyttötarkoitus

Tämä laite on tarkoitettu rasvan annosteluun.

## Melutaso

Tyypillinen A-painotettu melutaso määräytyy standardin EN62841-1 mukaan:

Äänenpainetaso ( $L_{pA}$ ): 76 dB (A)  
Virhemarginaali (K): 3 dB (A)

**HUOMAA:** Ilmoitetut melutasoarvot on mitattu standarditestausmenetelmän mukaisesti ja niiden avulla voidaan vertailla työkaluja keskenään.

**HUOMAA:** Ilmoitettuja melutasoarvoja voidaan käyttää myös altistumisen alustavaan arviointiin.

**VAROITUS:** Käytä kuulosuojaimia.

**VAROITUS:** Sähkötyökalun käytön aikana mitattu melutasoarvo voi poiketa ilmoitetuista arvoista laitteen käyttötavan ja erityisesti käsiteltävän työkappaleen mukaan.

**VAROITUS:** Selvitä käyttäjän suojaamiseksi tarvittavat varotoimet todellisissa käyttöolosuhteissa tapahtuvan arvioitun altistumisen mukaisesti (ottaen huomioon käyttöjaksot kokonaisuuudessaan, myös jaksot, joiden aikana laite on sammutettuna tai käy tyhjäkäynnillä).

## Tärinä

Kokonaistärinä (kolmen akselin vektorien summa) määräytyy standardin EN62841-1 mukaan:  
Tärinäpäästö ( $a_w$ ): 2,5 m/s<sup>2</sup> tai alaisempi  
Virhemarginaali (K): 1,5 m/s<sup>2</sup>

**HUOMAA:** Ilmoitetut kokonaistärinäarvot on mitattu standarditestausten mukaisesti ja niiden avulla voidaan vertailla työkaluja keskenään.

**HUOMAA:** Ilmoitettuja kokonaistärinäarvoja voidaan käyttää myös altistumisen alustavaan arviointiin.

**VAROITUS:** Sähkötyökalun käytön aikana mitattu todellinen tärinäpäästöarvo voi poiketa ilmoitetuista arvoista laitteen käyttötavan ja erityisesti käsiteltävän työkalupaleen mukaan.

**VAROITUS:** Selvitä käyttäjän suojaamiseksi tarvittavat varoitukset todellisissa käyttöolosuhteissa tapahtuvan arvioidun altistumisen mukaisesti (ottaen huomioon käyttöjakso kokonaisuudessaan, myös jaksot, joiden aikana laite on sammutettuna tai käy tyhjäkäynnillä).

## EY-vaatimustenmukaisuusvakuutus

*Koskee vain Euroopan maita*

EY-vaatimustenmukaisuusvakuutus on liitetty tähän käyttöoppaaseen.

## TURVAVAROITUKSET

### Sähkötyökalujen käyttöä koskevat yleiset varoitukset

**VAROITUS:** Tutustu kaikkiin tämän sähkötyökalun mukana toimitettuihin varoituksiin, ohjeisiin, kuviin ja teknisiin tietoihin. Seuraavassa lueteltujen ohjeiden noudattamatta jättäminen saattaa johtaa sähköiskuun, tulipaloon tai vakavaan vammautumiseen.

### Säilytä varoitukset ja ohjeet tulevaa käyttöä varten.

Varoituksissa käytettävällä termillä "sähkötyökalu" tarkoitetaan joko verkkovirtaa käyttävää (johdollista) työkalua tai akkukäyttöistä (johdotonta) työkalua.

### Akkukäyttöistä rasvapuristinta koskevat turvallisuusohjeet

1. Ota koneesta luja ote.
2. Älä käytä laitetta avotulen lähellä. Rasva voi olla syttyvää.
3. Käytä vain näissä käyttöohjeissa määritettyjen teknisten tietojen mukaista rasvaa. Muun tyyppisten rasvojen tai muiden materiaalien kuin rasvojen käyttö voi johtaa laitteen vikaantumiseen.

4. Älä asenna laitteeseen muita materiaaleja kuin rasvaa, kuten öljyä. Se voi suihkuta ulos laitteesta ja päätyä silmiin.
5. Älä kanna laitetta joustoletkusta tai varsi kahvasta.
6. Käytä suojalaseja laitteen käytön aikana.
7. Tarkista joustoletku ennen jokaista käyttökertaa. Älä käytä letkua, jos se on vääntynyt tai vaurioitunut. Korkeapaine voi rikkoa letkun, jolloin rasvaa voi päätyä silmiin.
8. Varmista, että varsi on tiukasti kiinni. Varsi voi liikkua vahingossa ja johtaa kiinni jäämiseen.
9. Lue rasvan valmistajan ohjeet ennen käyttöä ja noudata niitä.
10. Pidä kädet ja vaatteet kaukana varsi kahvan varresta. Muuten sormesi tai vaatteesi voivat jäädä puristuksiin.
11. Puhdista laitteeseen kiinni jäänyt rasva laitteesta pyyhkimällä. Muutoin laite voi muuttua liukkaaksi, mikä voi johtaa vammaan.
12. Älä taita joustoletkua voimalla tai leimaa sitä. Se voi johtaa letkun rikkoutumiseen tai sen muodon muuttumiseen.
13. Älä osoita sovittimella ihmisiä.
14. Käytä vain Makitan määritysten mukaista joustoletkua. Muiden letkujen käyttö voi aiheuttaa henkilövahinkoja.

## SÄILYTÄ NÄMÄ OHJEET.

### Akkupakettia koskevia tärkeitä turvaohjeita

1. Ennen akun käyttöönottoa tutustu kaikkiin laturissa (1), akussa (2) ja akkukäyttöisessä tuotteessa (3) oleviin varoitusteksteihin.
2. Älä pura tai peukaloi imuria akkupakettia. Se voi johtaa tulipaloon, ylikuumenemiseen tai räjähdykseen.
3. Jos akun toiminta-aika lyhenee merkittävästi, lopeta akun käyttö. Seurauksena voi olla ylikuumeneminen, palovammoja tai jopa räjähdys.
4. Jos akkunen pääsee silmiin, huuhtele puhtaalla vedellä ja hakeudu välittömästi lääkärin hoitoon. Akkunen voi aiheuttaa näön menetyksen.
5. Älä oikosulje akku.
  - (1) Älä koske akun napoihin millään sähköä johtavalla materiaaalilla.
  - (2) Vältä akun oikosulkemista äläkä säilytä akku yhdessä muiden metalliesineiden, kuten naulojen, kolikoiden ja niin edelleen kanssa.
  - (3) Älä aseta akku allttiiksi vedelle tai sateelle.Oikosulku voi aiheuttaa virtapiikin, ylikuumenemista, palovammoja tai laitteen rikkoontumisen.
6. Älä säilytä ja käytä työkalua ja akkupakettia paikassa, jossa lämpötila voi nousta 50 °C:een (122 °F) tai korkeammaksi.

7. Älä hävitä akkua polttamalla, vaikka se olisi pahoin vaurioitunut tai täysin loppuun kulunut. Avotuli voi aiheuttaa akun räjähtämisen.
8. Älä naulaa, leikkaa, purista, heitä tai pudota akkupakettia tai iske sitä kovia esineitä vasten. Tällaiset toimet voivat johtaa tulipaloon, ylikuumentumiseen tai räjähdykseen.
9. Älä käytä viallista akkua.
10. Sisältyviä litium-ioni-akkuja koskevat vaarallisten aineiden lainsäädännön vaatimukset. Esimerkiksi kolmansien osapuolten huolintaliikkeiden tulee kaupallisissa kuljetuksissa noudattaa pakkaamista ja merkintöjä koskevia erityisvaatimuksia. Lähetettävän tuotteen valmistelu edellyttää vaarallisten aineiden asiantuntijan neuvontaa. Huomioi myös mahdollisesti yksityiskohtaisemmat kansalliset määräykset  
Akun avoimet liittimet tulee suojata teipillä tai suojuksella ja pakkaaminen tulee tehdä niin, ettei akku voi liikkua pakkauksessa.
11. Kun akkupaketti on hävitettävä, poista se laitteesta ja hävitä se turvallisesti. Hävitä akku paikallisten määräysten mukaisesti.
12. Käytä akkua vain Makitan ilmoittamien tuotteiden kanssa. Akkujen asentaminen yhteensopimattomiin tuotteisiin voi aiheuttaa tulipalon, liiallisen ylikuumentumisen, räjähdyksen tai akkunestevuotoja.
13. Jos laitetta ei käytetä pitkään aikaan, akku on poistettava laitteesta.
14. Akkupaketin lämpötila voi käytön aikana ja sen jälkeen nousta niin kuumaksi, että se voi aiheuttaa palovammoja tai lieviä palovammoja. Käsittele kuumia akkupaketteja huolellisesti.
15. Älä kosketa työkalun liitintä välittömästi käytön jälkeen, sillä se voi olla riittävän kuuma aiheuttamaan palovammoja.
16. Älä päästä lastuja, pölyä tai maata akkupaketin liittimiin, aukkoihin ja uriin. Se voi heikentää työkalun tai akkupaketin suorituskykyä tai johtaa niiden rikkoutumiseen.
17. Ellei työkalu tue käyttöä korkeajännitelinjoihin lähellä, älä käytä akkupakettia korkeajännitelinjoihin lähellä. Se voi johtaa työkalun tai akkupaketin toimintahäiriöön tai rikkoutumiseen.
18. Pidä akku poissa lasten ulottuvilta.

## SÄILYTÄ NÄMÄ OHJEET.

**⚠HUOMIO:** Käytä vain alkuperäisiä Makita-akkuja. Muiden kuin aitojen Makita-akkujen, tai mahdollisesti muutettujen akkujen käyttö voi johtaa akun murtumiseen ja aiheuttaa tulipaloja, henkilö- ja omaisuusvahinkoja. Se mitätöi myös Makita-työkalun ja -laturin Makita-takuun.

## Vihjeitä akun käyttöön pidentämiseksi

- Lataa akku ennen kuin se purkautuu täysin. Lopeta aina työkalun käyttö ja lataa akku, jos huomaat työkalun tehon vähenevän.
- Älä koskaan lataa uudestaan täysin ladattua akkua. Ylilataaminen lyhentää akun käyttöikää.
- Lataa akku huoneen lämpötilassa välillä 10 °C - 40 °C. Anna kuumen akun jäähtyä ennen lataamista.
- Irrota akkupaketti työkalusta tai laturista, kun sitä ei käytetä.
- Lataa akkupaketti, jos et käytä sitä pitkään aikaan (yli kuusi kuukautta).

## OSIEN KUVAUS

### ► Kuva1

1	Liipaisinkytkin	2	Lukituspainike	3	Lampun kytkin
4	Merkkivalo	5	Liipaisinlukkopainike	6	Nopeustilan valintanappi
7	Ilmanpoisto	8	Täyttöaukon tulppa	9	Joustoletku
10	Sovitin	11	Hihnareikä	12	Akkupaketti
13	Sylinteri	14	Varsikahva	15	Letkupiike
16	Paineenalennusventtiili	17	Olkahihna	–	–

# TOIMINTOJEN KUVAUS

**⚠HUOMIO:** Varmista aina ennen säätöjä ja tarkastuksia, että työkalu on sammutettu ja akkupaketti irrotettu.

## Akun asentaminen tai irrottaminen

**⚠HUOMIO:** Sammuta työkalu aina ennen akun kiinnittämistä tai irrottamista.

**⚠HUOMIO:** Pidä työkalusta ja akusta tiukasti kiinni, kun irrotat tai kiinnität akkua. Jos akkupaketti tai työkalu putoaa, ne voivat vaurioitua tai aiheuttaa tapaturman.

► **Kuva2:** 1. Punainen ilmainen 2. Painike  
3. Akkupaketti

Irrota akku painamalla akun etupuolella olevaa painiketta ja vetämällä akku ulos työkalusta.

Akkupaketti asennetaan paikalleen sovitamalla akkupaketin kieleke rungon uraan ja työntämällä se sitten paikoilleen. Työnnä akkupaketti pohjaan asti niin, että kuulet sen napsahdavan paikoilleen. Jos painikkeen yläpuolella näkyy punainen ilmainen, akkupaketti ei ole lukkiutunut täysin paikoilleen.

**⚠HUOMIO:** Työnnä akkupaketti aina pohjaan asti, niin että punainen ilmainen ei enää näy. Jos akkupaketti ei ole kunnolla paikallaan, se voi pudota työkalusta ja aiheuttaa vammoja joko sinulle tai sivullisille.

**⚠HUOMIO:** Älä käytä voimaa akun asennuksessa. Jos akku ei liu'u paikalleen helposti, se on väärässä asennossa.

## Työkalun/akun suojausjärjestelmä

Työkalu on varustettu työkalu/akun suojausjärjestelmällä. Tämä järjestelmä pidentää työkalun ja akun käyttöikää katkaisemalla automaattisesti moottorin virran. Työkalu pysähtyy automaattisesti kesken käytön, jos työkalussa tai akussa ilmenee jokin seuraavista tilanteista:

### Ylikuormitusuoja

Kun työkalua/akkua käytetään tavalla, joka saa sen kuluttamaan epätavallisen suuren määrän virtaa, työkalu pysähtyy automaattisesti ilman mitään merkkivaloa tai ilmaisinta. Katkaise tässä tilanteessa työkalusta virta ja lopeta ylikuormitustilan aiheuttanut käyttö. Käynnistä sitten työkalu uudelleen kytkemällä siihen virta.

### Ylikuumenemissuoja

Työkalun ylikuumentessa se pysähtyy automaattisesti ja lamppu alkaa vilkkua. Anna silloin työkalun/akun jäähtyä, ennen kuin kytket työkaluun uudelleen virran.

### Ylipurkautumissuoja

Kun akun varaus on riittämätön, työkalu pysähtyy automaattisesti. Irrota silloin akku työkalusta ja lataa se.

**HUOMAA:** Suojausjärjestelmän toimintavarmuus voi heiketa ympäristön lämpötilan ja rasvan kunnon mukaan.

## Akun jäljellä olevan varaustason ilmaisin

Vain akkupaketeille ilmaisimella

► **Kuva3:** 1. Merkkivalot 2. Tarkistuspainike

Painamalla tarkistuspainiketta saat näkyviin akun jäljellä olevan varauksen. Merkkivalot palavat muutaman sekunnin ajan.

Merkkivalot			Akussa jäljellä olevan varaus
Palaa	Pois päältä	Vilkkuu	
■ ■ ■ ■			75% - 100%
■ ■ ■ □			50% - 75%
■ ■ □ □			25% - 50%
■ □ □ □			0% - 25%
▣ □ □ □			Lataa akku.
■ ■ □ □			Akussa on saattanut olla toimintahäiriö.
□ □ ■ ■	↑ ↓		

**HUOMAA:** Ilmoitettu varaustaso voi erota hieman todellisesta varaustasosta sen mukaan, millaisissa oloissa ja missä lämpötilassa laitetta käytetään.

**HUOMAA:** Ensimmäinen (vasemmanpuoleisin) merkkivalo vilkkuu, kun akun suojausjärjestelmä on toiminnassa.

## Kytkimen käyttäminen

**⚠HUOMIO:** Tarkista aina ennen akkupaketin asettamista työkaluun, että liipaisinkytkin kytketty oikein ja palaa "OFF"-asentoon, kun se vapautetaan.

**⚠HUOMIO:** Kun et käytä laitetta, lukitse liipaisinkytkin OFF-asentoon painamalla liipaisinlukkopainiketta "A"-puolelta.

Laitteessa on liipaisinlukkopainike, joka estää liipaisinkytkimen painamisen vahingossa. Voit käynnistää laitteen painamalla liipaisinlukkopainiketta "B"-puolelta ja painamalla liipaisinkytkintä. Laitteen nopeus kasvaa liipaisinkytkimeen kohdistuvaa voimaa lisättäessä. Pysäytä vapauttamalla liipaisinkytkin. Paina aina käytön jälkeen liipaisimen lukituspainike sisään "A"-puolelta.

Jos haluat laitteen käyvän jatkuvasti, paina ensin liipaisinkytkin pohjaan ja paina sitten lukituspainike sisään. Kun haluat pysäyttää työkalun lukitusta asennosta, paina liipaisinkytkin ensin pohjaan ja vapauta se sitten.

► **Kuva4:** 1. Liipaisinkytkin 2. Lukituspainike  
3. Liipaisinlukkopainike

## Etulampun sytyttäminen

**⚠HUOMIO:** Älä katso suoraan lampuun tai valonlähteeseen.

Lamppu syttyy, kun painat lampun kytkintä. Lamppu sammuu, kun painat lampun kytkintä uudelleen. Lamppu sammuu myös, kun laite on ollut käyttämättä noin 60 sekunnin ajan moottori sammuksissa.

► **Kuva5:** 1. Lamppu 2. Lampun kytkin

**HUOMAUTUS:** Pyyhi lika pois linssistä kuivalla liinalla. Varo naarmuttamasta linssiä, ettei valoteho laske.

## Nopeustilan valitseminen

**HUOMAUTUS:** Vaihda nopeustilaa vasta sen jälkeen, kun laite on täysin pysähtynyt.

Laitteessa on nopeustilan vaihtonuppi. Käännä nuppia niin, että siinä oleva nuoli osoittaa jompaakumpaa seuraavista tiloista:

1	<b>Hitaan nopeuden tila:</b> rasvaa annostellaan tasaisella hitaalla nopeudella.
2	<b>Automaattinen nopeustila:</b> rasvaa annostellaan automaattisesti vaihtelevalla virtausnopeudella rasvauskohteen paineen mukaan.

► **Kuva6:** 1. Nopeustilan valintanuppi

## Paineenalennusventtiili

Kun laitteen sisäinen paine saavuttaa määrätyn tason, rasvaa virtaa ulos paineenalennusventtiilistä, mikä alentaa sisäistä painetta.

► **Kuva7:** 1. Paineenalennusventtiili

**⚠HUOMIO:** Pyyhi paineenalennusventtiilistä ulos tullut rasva laitteesta kuivalla liinalla tai vastaavalla. Muutoin laite voi muuttua liukkaaksi, mikä voi johtaa vammaan.

## KOKOONPANO

**⚠HUOMIO:** Varmista aina ennen mitään työkalulle tehtäviä toimenpiteitä, että se on sammutettu ja akku irrotettu.

## Sylinterin irrotus ja kiinnitys

Irrota sylinteri kääntämällä sitä kuvan mukaisesti.

► **Kuva8:** 1. Sylinteri

Kiinnitä sylinteri asettamalla se laitteeseen ja kääntämällä sitä sitten vastakkaiseen suuntaan.

► **Kuva9:** 1. Sylinteri

## Varsikahva

Vedä varsikahva ulos, kun sylinteriin lisätään rasvaa.

► **Kuva10:** 1. Varsikahva 2. Varsi

Lukitse varsikahva ulosvedetyksi vetämällä se ulos siinä olevaan uraan asti, ja asettamalla ura sitten hahloon. Poista lukitus nostamalla ura hahlostani niin, että varsi pääsee liikkumaan.

► **Kuva11:** 1. Ura 2. Hahlo

**⚠HUOMIO:** Varmista, että varsikahva on lukittunut tiukasti. Muutoin sen lukitus voi laueta vahingossa, mikä voi johtaa kiinni jäämiseen.

**HUOMAA:** Jotta varsikahvaa voi vetää sylinterin ollessa kiinnitettynä laitteeseen, päästä sylinteriin ilmaa avaamalla ilmanpoistiventtiiliä.

## Letkupidike

Letkupidikkeen voi kiinnittää laitteen kummalle tahansa puolelle ruuvilla.

► **Kuva12:** 1. Letkupidike 2. Ruuvi

## Olkahihna

**⚠VAROITUS:** Älä koskaan käytä hihnareikää turvalliinan (liekaköyden) kiinnittämiseen. Se voi johtaa vakaviin vammoihin, koska hihnareikää ei ole tarkoitettu putoamisenestovarusteiden kiinnityspisteeksi.

**⚠VAROITUS:** Kun kannat työkalua, pidä kiinni työkalusta, vaikka käyttäisit olkahihnaa. Työkalun kantaminen pelkän olkahihnan varassa tekee kantamisesta epävakaata. Olkahihna voi irrota työkalusta tai työkalu saattaa osua muihin esineisiin ja aiheuttaa vammoja.

Kiinnitä olkahihnan soljet hihnareikien kiinnityskohtiin kuvan osoittamalla tavalla.

► **Kuva13:** 1. Olkahihna 2. Solki 3. Kiinnityskohta

## TYÖSKENTELY

### Rasvansyöttö

**⚠VAROITUS:** Lue rasvan ja/tai muiden laitteiden käyttöohjeet ja vaihda seuraavassa kuvatut osat tarvittaessa. Väärinkäyttö tai ohjeiden noudattamatta jättäminen voi vaurioittaa laitetta tai johtaa vammoihin.

**HUOMAUTUS:** Jos sylinterissä on vanhan rasvan jäämiä, irrota sylinteri ja puhdista se vanhasta rasvasta puhdistusosion ohjeiden mukaisesti.

Rasvaa voi lisätä laitteeseen seuraavin tavoin:

## Rasvapatruunan (erikseen myytävä) asentaminen sylinteriin

**HUOMAUTUS:** (Vain A-tyypin sylinteri)

Käytä rasvapatruunaa, jonka reunan voi asettaa sylinterin päätypinnan varaan.

**HUOMAUTUS:** (Vain B-/C-tyypin sylinterit.)

Käytä rasvapatruunaa, jonka reunan voi asettaa sylinterin sisäporrastuksen varaan.

1. Irrota sylinteri laitteesta, vedä varsikahva ulos ja lukitse se paikalleen.
2. Irrota rasvapatruunan muovikorkki ja aseta rasvapatruuna sylinteriin.  
► **Kuva14:** 1. Rasvapatruuna (erikseen myytävä) 2. Vetorengas

3. Avaa rasvapatruuna vetorengaasta vetämällä ja asenna sylinteri sitten laitteeseen.

Jos rasvapatruunan reunan ja sylinterin väliin jää aukko, ruuvaa sylinteri työkaluun painamalla samalla sylinteriä eteenpäin.

► **Kuva15**

4. Vapauta varsikahva.  
► **Kuva16**
5. Poista ilma rasvan tieltä. (Lisätietoja on ilmanpoistoa käsittelevässä osiossa.)

## Rasvan lisääminen sylinteriin (erikseen myytävästä) bulkkisäiliöstä

1. Irrota sylinteri laitteesta.
2. Upota sylinterin kärki rasvasäiliöön ja vedä sitten varsikahvaa. Rasva imeytyy sylinteriin.  
► **Kuva17:** 1. Bulkkisäiliö (erikseen myytävä)

3. Vedä varsikahva kokonaan ulos ja lukitse se.  
► **Kuva18**

4. Aseta sylinteri laitteeseen ja poista sitten varsikahvan lukitus.
5. Poista ilma rasvan tieltä. (Lisätietoja on ilmanpoistoa käsittelevässä osiossa.)

**HUOMAUTUS:** Kun lukitset varsikahvan, varmista, että varsikahva lukittuu pitävästi. Muutoin varsikahva saattaa aueta tahattomasti, jolloin sylinteristä valuu rasvaa.

**HUOMAA:** (Vain B-/C-tyypin sylinterit.)

Täytettävän rasvan tason tulisi jäädä ruuvin uralinjan alapuolelle. Muutoin rasvaa vuotaa ulos, kun sylinteri asennetaan työkaluun.

► **Kuva19:** 1. Sylinteri (B-/C-tyyppi) 2. Ruuvin ura 3. Rasva

Voit lisätä sylinteriin rasvaa myös (erikseen myytävällä) täyttöpumpulla, joka on yhdistetty bulkkisäiliöön.

1. Irrota täyttöaukon tulppa. Aseta (erikseen myytävä) täyttöliitin täyttöaukoon.
2. Pidä sylinteri laitteeseen asennettuna, ja kytke täyttöliitin täyttöpumpun liittimeen.  
► **Kuva20:** 1. Täyttöaukon tulppa 2. Täyttöaukko 3. Täyttöliitin (erikseen myytävä) 4. Täyttöpumppu (erikseen myytävä) 5. Liitin

3. Käytä täyttöpumppua. Varsikahva työntyy ulos sylinteristä sen täytyessä rasvalla.

► **Kuva21**

4. Irrota täyttöliitin täyttöpumpun liittimestä.

5. Poista ilma rasvan tieltä. (Lisätietoja on ilmanpoistoa käsittelevässä osiossa.)

**VAROITUS:** Käytä vain matalapaineista täyttöliitintä. Älä koskaan käytä korkeapaineista täyttöliitintä, sillä se voi vahingoittaa laitetta ja aiheuttaa henkilövammoja.

**HUOMIO:** Ota työkalusta pitävä ote, kun lisäät rasvaa täyttöpumpulla. Työkalu voi kaatua ja aiheuttaa vammoja.

**HUOMAUTUS:** Lopeta rasvan täyttö, kun varren ura näkyy. Muutoin rasvaa voi vuotaa ulos.

## Ilmanpoisto

Jos rasvan virtausreitille on jäänyt ilmaa, laitteen rasvananostelu ei toimi tarkasti. Tee ilmanpoisto ennen laitteen käyttöä ja jos laitteesta ilmenee ilmasta johtuvia toimintahäiriöitä.

1. Poista ilma laitteen sisältä avaamalla ilmanpoistovenktiiliä. Ilma virtaa ulos ilmanpoistoreiästä.
2. Sulje venttiili, kun riestää alkaa tulla ulos rasvaa.  
► **Kuva22:** 1. Venttiili

**VAROITUS:** Käytä suojalaseja ilmanpoiston aikana.

**HUOMIO:** Pyyhi ilmanpoistoreistä ulos pääsyt rasva pois kuivalla liinalla tai vastaavalla. Muutoin laite voi muuttua liukkaaksi, mikä voi johtaa vammaan.

## Rasvan annostelu

Poista vanha rasva laitteen sisältä ennen käyttöä seuraavissa tilanteissa:

- Laitetta käytetään ensimmäisen kerran.
- Laitteessa käytetään erityyppistä rasvaa kuin edellisellä käyttökerralla.

Kun sylinteriin on lisätty uutta rasvaa, käytä laitetta, kunnes vanha rasva on työntynyt ulos sovitimesta.

**HUOMAUTUS:** Älä kytke sovitinta rasvanippaan ennen kuin vanha rasva on poistunut. Erityyppisten rasvojen sekoittuminen voi heikentää rasvan toimintatehoa.

**HUOMAA:** Laite on testattu tehtaalla, joten siinä on pieniä määriä rasvajäämiä toimitettaessa.

Annostele rasvaa toimimalla seuraavien ohjeiden mukaan.

**HUOMIO:** Tarkista nopeustila aina ennen käyttöä.

**HUOMAUTUS:** Varmista aina ennen sovitimen rasvanippaan kytkemistä, että laite annostelee rasvaa oikein.

**HUOMAUTUS:** Älä kytke sovitinta rasvanippaan väkisin.



1. Pyyhi sovitin ja rasvanippa puhtaiksi ennen niiden kytkemistä. Paina sovitin suoraan rasvanippaan.

2. Annostele rasvaa painamalla liipaisinkytkintä.  
► **Kuva23**

3. Kun rasvan annostelu on tehty, irrota sovitin rasvanipasta. Kallista sovintia hieman niin, että sen sisäinen paine vapautuu ja irrota sitten sovitin rasvanipasta.

Pyyhi rasva sovittimesta ja rasvanipasta.

**HUOMAUTUS:** Älä jätä laitetta päälle, kun se on tyhjentynyt rasvasta. Se voi lyhentää laitteen käyttöikää.

**HUOMAA:** Jos sisäinen paine nousee, kun liipaisinkytkintä ei paineta, suojausjärjestelmä aktivoituu ja pysäyttää moottorin, vaikka laite ei olisi saavuttanut suurinta toimintapainetta. Kun haluat syöttää rasvaa suurella paineella, pidä liipaisinkytkin pohjassa.

**HUOMAA:** Laite pysähtyy automaattisesti, jos sitä on pidetty käynnissä yli 6 minuuttia.

## KUNNOSSAPITO

**▲HUOMIO:** Varmista aina ennen tarkastusta tai huoltoa, että työkalu on sammutettu ja akku irrotettu.

**HUOMAUTUS:** Älä koskaan käytä bensiiniä, ohenteita, alkoholia tai tms. aineita. Muutoin pinta voi halkeilla tai sen värit ja muoto voivat muuttua. Muutoin laitteeseen voi tulla värjäytyimiä, muodon vääristymiä tai halkeamia.

Tuotteen TURVALLISUUDEN ja LUOTETTAVUUDEN takaamiseksi korjaukset, muut huoltotyöt ja säädöt on teetettävä Makitan valtuutetussa huoltopisteessä Makitan varaosia käyttäen.

## Rasvan tyhjentäminen

Kun laite varastoidaan tai käytettävässä sylinterissä on rasvaa jäljellä, irrota sylinteri ja tyhjennä vanha rasva seuraavien ohjeiden mukaisesti.

1. Avaa ilmanpoistiventtiiliä.
2. Vedä varsiakahva kokonaan ulos ja lukitse se.
3. Irrota sylinteri laitteesta.
4. Poista varsiakahvan lukitus. Pidä varsiakahvasta kiinni ja työnnä sitä hitaasti eteenpäin niin, että rasva työntyy ulos sylinteristä.

**▲HUOMIO:** Älä irrota kättä varsiakahvasta. Muutoin rasva purskahtaa ulos voimalla.

**HUOMAUTUS:** Älä päästä pölyä sylinterin sisälle. Pöly voi tukkia laitteen.

**HUOMAUTUS:** Puhdista sylinterin sisäosat kolmen kuukauden välein.

## LISÄVARUSTEET

**▲HUOMIO:** Seuraavia lisävarusteita tai laitteita suositellaan käytettäväksi tässä ohjeessa kuvatun Makita-työkalun kanssa. Muiden lisävarusteiden tai laitteiden käyttö voi aiheuttaa henkilövahinkoja. Käytä lisävarusteita ja -laitteita vain niiden käyttötarkoituksen mukaisesti.

Jos tarvitset apua tai yksityiskohtaisempia tietoja seuraavista lisävarusteista, ota yhteys paikalliseen Makitan huoltoon.

- Sovitin
- Joustoletku
- Sylinteri
- Patruunasylinteri
- Olkahihna
- Lukittuva sovitin
- Kulmasovitin
- Aito Makitan akku ja laturi

**HUOMAA:** Jotkin luettelossa mainitut varusteet voivat sisältyä työkalun toimitukseen vakiovarusteina. Ne voivat vaihdella maittain.

## Sovittimen vaihtaminen

Löysää ja irrota vanha sovitin kahdella kiintoavaimella kuvan mukaisesti ja kiristä sitten uusi sovitin tiukasti kiinni.

► **Kuva24**

**HUOMAA:** Jos rasvaa pääsee vuotamaan letkun ja sovittimen välistä, kierrä letkun kierreosaan tiivisteppeä ennen sovittimen kytkemistä.

## Joustoletkun vaihtaminen

Löysää ja irrota vanha joustoletkua kiintoavaimella kuvan mukaisesti ja kiristä sitten uusi joustoletku tiukasti kiinni.

► **Kuva25**

**▲HUOMIO:** Vaihda joustoletkun kiinnitysosan kumirengas aina, kun joustoletku vaihdetaan uuteen. Jos et asenna uuteen joustoletkuun kumirengasta tai käytät vanhaa kumirengasta, se voi johtaa rasvavuotoon ja vammoihin.

## Sylinterin vaihtaminen

**HUOMAA:** Sylinterin tyyppi vaihtelee maan mukaan.

**HUOMAA:** Erityyppisen sylinterin asentamiseen tarvitaan seuraavassa kuvatut lisäosat sylinterin tyyppin mukaan.

## Sylinterin vaihtaminen A-tyypistä B-/C-tyyppiin

1. Irrota A-tyypin sylinteri.
2. Irrota ensin ruuvi ja sitten holkki.  
► **Kuva26:** 1. Holkki 2. Ruuvi
3. Asenna kumitiivisteen sisältävä liitinosa paikalleen kohdistamalla sen kieleke kiinnitysosan uraan, ja kiinnitä se sitten ruuveilla.
4. Asenna B-/C-tyypin sylinteri paikalleen.  
► **Kuva27:** 1. Liitinosa 2. Kumitiivistevä 3. Kieleke 4. Ura 5. Ruuvi

## Sylinterin vaihtaminen B-/C-tyypistä A-tyyppiin

1. Irrota B-/C-tyypin sylinteri.
2. Irrota ruuvit ja poista liitinosa.  
► **Kuva28:** 1. Liitinosa 2. Kumitiiviste 3. Ruuvi
3. Aseta holkki laitteen runkoon ja kiinnitä se ruuvilla.
4. Asenna A-tyypin sylinteri paikalleen.  
► **Kuva29:** 1. Holkki 2. Ruuvi

### Patruunasylinteri

Rasvapatruunan näkee patruunasylinterissä olevasta reiästä.

► **Kuva30**

Kun käytät patruunasylinteriä, vaihda mäntäosat vastaavasta sylinteristä patruunasylinteriin.

► **Kuva31:** 1. Mäntäosat 2. Patruunasylinteri

Jos varsikahvan painaminen vaatii paljon voimaa, toimi seuraavien ohjeiden mukaan.

1. Aseta tyhjä rasvapatruuna sylinteriin.

► **Kuva32:** 1. Tyhjä rasvapatruuna

2. Paina varsikahvaa ja lukitse se.

► **Kuva33**

3. Poista tyhjä rasvapatruuna sylinteristä.

### Lukittuva sovitin

**⚠HUOMIO:** Varo, etteivät sormesi jää lukittuvan sovittimen väliin.

**⚠HUOMIO:** Käytä suojalaseja. Kun irrotat lukittuvan sovittimen rasvanipasta, työkalusta saattaa ruiskuta rasvaa, mikä voi aiheuttaa vammoja.

Kun kytket lukittuvan sovittimen rasvanippaan, paina lukittuva sovitin suoraan rasvanippaan samalla, kun vedät lukittuvan sovittimen vivusta, ja vapauta sitten vipu.

► **Kuva34:** 1. Vipu 2. Lukittuva sovitin

Koko lukittuva sovitin sovittimen vaihtamista käsittelevän osion ohjeiden mukaisesti.

### Kulmasovitin

Kun kiinnität kulmasovittimen, paina työkalun sovitin suoraan kulmasovittimeen.

► **Kuva35:** 1. Kulmasovitin

## SPECIFIKATIONER

<b>Model:</b>		<b>DGP180</b>
Mærkespænding		D.C. 18 V
Fedtkapacitet (med cylinder af A-typen)	Patron	410 g
	Rumfang	455 g
Fedtkapacitet (med cylinder af B-typen)	Patron	450 g
	Rumfang	570 g
Maksimalt driftstryk		69 MPa
Maksimal strømningshastighed	Lavhastighedstilstand	145 ml/min
	Autohastighedstilstand	290 ml/min
Anvendelig fedttype		NLGI nr.0 - nr.2
Slangelængde		1.200 mm
Længde	Med cylinder af A-typen	411 mm
	Med cylinder af B-typen	449 mm
Vægt		4,8 - 6,1 kg

**BEMÆRK:** Cylindertypen (A-type eller B-type) varierer afhængigt af landet.

- På grund af vores kontinuerlige forsknings- og udviklingsprogrammer kan hosstående specifikationer blive ændret uden varsel.
- Specifikationer og akku kan variere fra land til land.
- Vægten kan være anderledes afhængigt af tilbehøret, inklusive akkuen. Den letteste og tungeste kombination i henhold til EPTA-procedure 01/2014 er vist i tabellen.

## Anvendelig akku og oplader

Akku	BL1815N / BL1820B / BL1830B / BL1840B / BL1850B / BL1860B
Oplader	DC18RC / DC18RD / DC18RE / DC18SD / DC18SE / DC18SF / DC18SH

- Nogle af de akkuer og opladere, der er angivet ovenfor, er muligvis ikke tilgængelige, afhængigt af hvilket område du bor i.

**⚠ADVARSEL:** Brug kun de akkuer og opladere, der er angivet ovenfor. Brug af andre akkuer og opladere kan medføre personskaade og/eller brand.

## Tilsligtet anvendelse

Denne maskine er beregnet til afgivelse af fedt.

## Støj

Det typiske A-vægtede støjniveau bestemt i overensstemmelse med EN62841-1:  
 Lydtryksniveau ( $L_{pA}$ ): 76 dB (A)  
 Usikkerhed (K): 3 dB (A)

**BEMÆRK:** De(n) angivne støjemissionsværdi(er) er målt i overensstemmelse med en standardtestmetode og kan anvendes til at sammenligne en maskine med en anden.

**BEMÆRK:** De(n) angivne støjemissionsværdi(er) kan også anvendes i en præliminær eksponeringsvurdering.

**⚠ADVARSEL:** Bær høreværn.

**⚠ADVARSEL:** Støjemissionen under den faktiske anvendelse af maskinen kan være forskellig fra de(n) angivne værdi(er), afhængigt af den måde hvorpå maskinen anvendes, især den type arbejdsømne der behandles.

**⚠ADVARSEL:** Sørg for at identificere de sikkerhedsforskrifter til beskyttelse af operatøren, som er baseret på en vurdering af eksponering under de faktiske brugsforhold (med hensyntagen til alle dele i brugscyklussen, f.eks. de gange, hvor maskinen er slukket, og når den kører i tomgang i tilgift til afbrydertiden).

## Vibration

Vibrationens totalværdi (tre-aksial vektorsum) bestemt i overensstemmelse med EN62841-1:

Vibrationsemission ( $a_v$ ): 2,5 m/s<sup>2</sup> eller mindre

Usikkerhed (K): 1,5 m/s<sup>2</sup>

**BEMÆRK:** De(n) angivne totalværdi(er) for vibration er målt i overensstemmelse med en standardtestmetode og kan anvendes til at sammenligne en maskine med en anden.

**BEMÆRK:** De(n) angivne totalværdi(er) for vibration kan også anvendes i en præliminær eksponeringsvurdering.

**⚠ ADVARSEL:** Vibrationsemissionen under den faktiske anvendelse af maskinen kan være forskellig fra de(n) angivne værdi(er), afhængigt af den måde hvorpå maskinen anvendes, især den type arbejdsemne der behandles.

**⚠ ADVARSEL:** Sørg for at identificere de sikkerhedsforskrifter til beskyttelse af operatøren, som er baseret på en vurdering af eksponering under de faktiske brugsforhold (med hensyntagen til alle dele i brugscyklussen, f.eks. de gange, hvor maskinen er slukket, og når den kører i tomgang i tilgift til afbrydertiden).

## EF-overensstemmelseserklæring

*Kun for lande i Europa*

EF-overensstemmelseserklæringen er inkluderet som Bilag A i denne brugsanvisning.

## SIKKERHEDSADVARSLER

### Almindelige sikkerhedsregler for el-værktøj

**⚠ ADVARSEL:** Læs alle de sikkerhedsadvarsler, instruktioner, illustrationer og specifikationer, der følger med denne maskine. Forsømmelse af at overholde alle nedenstående instruktioner kan medføre elektrisk stød, brand og/eller alvorlig personskade.

### Gem alle advarsler og instruktioner til fremtidig reference.

Ordet "el-værktøj" i advarslerne henviser til det netforsynede (netledning) el-værktøj eller batteriforsynede (akku) el-værktøj.

## Sikkerhedsadvarsler for akku fedtpistol

1. **Hold maskinen godt fast.**
2. **Anvend ikke maskinen i nærheden af ild.** Fedtet kan muligvis være letantændeligt.
3. **Brug kun fedt som lever op til specifikationerne i denne brugsanvisning.** Installering af en anden type fedt eller nogen andre materialer end fedt kan medføre funktionsfejl.
4. **Installer ikke nogen andre materialer end fedt, som fx olie.** Det kan muligvis sprøjte ud af maskinen og komme i øjnene.
5. **Undlad at bære maskinen ved at holde i den fleksible slange eller håndtaget på stangen.**
6. **Anvend beskyttelsesbriller når du bruger maskinen.**
7. **Kontrollér den fleksible slange inden hver brug. Brug ikke slangen, hvis den er knækket eller beskadiget.** Slangen kan være gået i stykker pga. højt tryk, og du kan få fedt i øjnene.
8. **Sørg for, at stangen er fastgjort ordentligt.** Stangen kan bevæge sig utilsigtet, og forårsage at du får noget i klemme.
9. **Læs og overhold instruktionerne vedrørende fedtfremstilling før brugen.**
10. **Hold hænder og tøj væk fra stangen af håndtaget på stangen.** Ellers kan din finger eller dit tøj komme i klemme.
11. **Tør fedt som sidder fast på maskinen af.** Ellers kan den muligvis glide ud af hænderne og forårsage en personskade.
12. **Undlad at bøje den fleksible slange med kraft eller træde på den.** Dette kan muligvis medføre brud på eller deformation af slangen.
13. **Peg ikke adapteren mod nogen i nærheden.**
14. **Brug kun den fleksible slange som Makita specificerer.** Brug af nogen anden slange kan muligvis medføre risiko for personskade.

## GEM DENNE BRUGSANVISNING.

### Vigtige sikkerhedsinstruktioner for akkuen

1. **Læs alle instruktioner og advarselmærkater på (1) akku-opladeren, (2) akkuen og (3) produktet, som anvender akku.**
2. **Adskil eller ændr ikke akkuen.** Det kan muligvis resultere i en brand, overdreven varme eller eksplosion.
3. **Hold straks op med anvendelsen, hvis brugstiden er blevet stærkt afkortet.** Fortsat anvendelse kan resultere i risiko for overophedning, forbrændinger og endog eksplosion.
4. **Hvis De har fået elektrolytvæske i øjnene, skal De straks skylle den ud med rent vand og derefter øjeblikkeligt søge lægehjælp.** I modsat fald kan De miste synet.

5. Vær påpasselig med ikke at komme til at kortslutte akkuen:
  - (1) Rør ikke ved terminalerne med noget ledende materiale.
  - (2) Undgå at opbevare akkuen i en beholder sammen med andre genstande af metal, for eksempel søm, mønter og lignende.
  - (3) Udsæt ikke akkuen for vand eller regn. Kortslutning af akkuen kan forårsage en kraftig øgning af strømmen, overophedning, mulige forbrændinger og endog værktøjstop.
6. Opbevar og brug ikke maskinen og akkuen på steder, hvor temperaturen muligvis kan nå eller overstige 50 °C.
7. Lad være med at brænde akkuen, selv ikke i tilfælde, hvor den har lidt alvorlig skade eller er fuldstændig udtjent. Akkuen kan eksplodere, hvis man forsøger at brænde den.
8. Slå ikke søm i, skær ikke i, knus, kast, tab ikke akkuen og stød ikke akkuen mod en hård genstand. Sådant adfærd kan muligvis resultere i en brand, overdreven varme eller eksplosion.
9. Anvend ikke en beskadiget akku.
10. De indbyggede litium-ion-batterier er underlagt lovkrav vedrørende farligt gods. Ved kommerciel transport, f.eks. af tredjeparts transportselskaber, skal særlige krav til forpakning og mærkning overholdes. Ved forberedelse af udstyret til forsendelse skal du kontakte en ekspert i farligt gods. Overhold også eventuel mere detaljeret national lovgivning. Tape eller tildæk åbne kontakter, og pak batteriet på en måde, så det ikke kan flytte sig rundt i pakningen.
11. Når akkuen bortskaffes, skal du fjerne den fra maskinen og bortskaffe den på et sikkert sted. Følg de lokale love vedrørende bortskaffelsen af batterier.
12. Brug kun batterierne med de produkter, som Makita specificerer. Hvis batterierne installeres i ikke-kompatible produkter, kan det medføre brand, kraftig varme, eksplosion eller udsivning af elektrolyt.
13. Hvis maskinen ikke skal bruges i længere tid ad gangen, skal du fjerne batteriet fra maskinen.
14. Akkuen kan muligvis under og efter brug være varm, hvilket kan forårsage forbrændinger eller lavtemperaturforbrændinger. Vær påpasselig med håndtering af varme akkuer.
15. Rør ikke terminalen på maskinen straks efter brug, da den bliver varm nok til at forårsage forbrændinger.
16. Sørg for at spåner, støv eller jord ikke sætter sig fast inde i terminalerne, hullerne og rillerne på akkuen. Det kan muligvis medføre dårlig ydelse eller nedbrud af maskinen eller akkuen.
17. Medmindre maskinen understøtter brugen i nærheden af elektriske højspændingsledninger, skal du ikke anvende akkuen i nærheden af elektriske højspændingsledninger. Det kan muligvis medføre funktionsfejl på eller nedbrud af maskinen eller akkuen.
18. Opbevar batteriet utilgængeligt for børn.

## GEM DENNE BRUGSANVISNING.

**⚠FORSIGTIG:** Brug kun originale batterier fra Makita. Brug af uoriginale Makita-batterier, eller batterier som er blevet ændret, kan muligvis medføre brud på batteriet, hvilket kan forårsage brand, personskade eller beskadigelse. Det ugyldiggør også Makita-garantien for Makita-maskinen og opladeren.

## Tips til opnåelse af maksimal akku-levetid

1. Oplad akkuen, inden den er helt afladet. Stop altid værktøjet, og oplad akkuen, hvis De bemærker, at værktøjeffekten er aftagende.
2. Genoplad aldrig en fuldt opladet akku. Overopladning vil afkorte akkuens levetid.
3. Oplad akkuen ved stuetemperatur ved 10 °C - 40 °C. Lad altid en varm akku få tid til at køle af, inden den oplades.
4. Når du ikke anvender akkuen, skal du fjerne den fra maskinen eller opladeren.
5. Oplad akkuen, hvis De ikke skal bruge den i længere tid (mere end seks måneder).

## BESKRIVELSE AF DELENE

► Fig.1

1	Afbryderknap	2	Låseknap	3	Lampekontakt
4	Lampe	5	Afbryderlåseknap	6	Omskifterknap til ændring af hastighedstilstand
7	Luftdræn	8	Prop til påfyldningsåbning	9	Fleksibel slange
10	Adapter	11	Snorhul	12	Akku
13	Cylinder	14	Håndtag på stang	15	Slangeholder
16	Overtryksventil	17	Skuldersæle	-	-

## FUNKTIONSBESKRIVELSE

**⚠️FORSIGTIG:** Sørg altid for at maskinen er slukket, og at akkuen er taget ud, før der udføres justering eller kontrol af funktioner på maskinen.

### Isætning eller fjernelse af akkuen

**⚠️FORSIGTIG:** Sluk altid for værktøjet, før De monterer eller fjerner akkuen.

**⚠️FORSIGTIG:** Hold værktøjet og akkuen fast ved montering eller fjernelse af akkuen. Hvis De ikke holder værktøjet og akkuen fast, kan de glide ud af hænderne på Dem og forårsage beskadigelse af værktøjet og akkuen eller personskade.

► **Fig.2:** 1. Rød indikator 2. Knap 3. Akku

Akkuen fjernes ved, at De trækker den ud af værktøjet, idet De skyder knappen på forsiden af akkuen i stilling.

Akkuen monteres ved, at De sætter tungen på akkuen ud for noten i kabinettet og lader den glide på plads. Sæt den hele vejen ind, så den låses på plads med et lille klik. Hvis den røde indikator på oversiden af knappen er synlig, betyder det, at den ikke er tilstrækkeligt låst.

**⚠️FORSIGTIG:** Monter altid akkuen helt, indtil den røde indikator ikke længere er synlig. Hvis dette ikke gøres, kan den falde ud af værktøjet ved et uheld, hvorved De selv eller personer i nærheden kan komme til skade.

**⚠️FORSIGTIG:** Brug ikke magt ved montering af akkuen. Hvis akkuen ikke glider på plads uden problemer, betyder det, at den ikke sættes i på korrekt vis.

### Beskyttelsessystem til værktøj/batteri

Maskinen er udstyret med et beskyttelsessystem til maskinen/batteriet. Dette system afbryder automatisk strømmen til motoren for at forlænge maskinens og batteriets levetid. Maskinen stopper automatisk under brugen, hvis maskinen eller batteriet udsættes for et af følgende forhold:

#### Overbelastningsbeskyttelse

Hvis maskinen/batteriet bruges på en måde, der får den til at trække en unormalt høj strøm, stopper maskinen automatisk uden indikation. Sluk i så fald for maskinen, og stop den anvendelse, der medførte overbelastningen af maskinen. Tænd derefter for maskinen for at starte igen.

#### Beskyttelse mod overophedning

Hvis maskinen eller batteriet er overophedet, stopper maskinen automatisk, og lampen blinker. Lad i så fald maskinen og batteriet køle ned, før der tændes for maskinen igen.

#### Beskyttelse mod overafledning

Når batteriladningen er utilstrækkelig, stopper maskinen automatisk. Tag i så fald akkuen ud af maskinen, og oplad akkuen.

**BEMÆRK:** Det kan blive mere sandsynligt at beskyttelsessystemet fungerer afhængigt af omgivelsestemperaturen eller type og tilstand af fedt.

## Indikation af den resterende batteriladning

**Kun til akkuer med indikatoren**

► **Fig.3:** 1. Indikatorlamper 2. Kontrolknap

Tryk på kontrolknappen på akkuen for at få vist den resterende batteriladning. Indikatorlampen lyser i nogle sekunder.

Indikatorlamper			Resterende ladning
Tændt	Slukket	Blinker	
■	□	◐	75% til 100%
■	■	■	50% til 75%
■	■	□	25% til 50%
■	□	□	0% til 25%
◐	□	□	Genoplad batteriet.
■	■	□	Der er muligvis fejl i batteriet.
□	□	■	

**BEMÆRK:** Afhængigt af brugsforholdene og den omgivende temperatur kan indikationen afvige en smule fra den faktiske ladning.

**BEMÆRK:** Den første indikatorlampe (længst mod venstre) vil blinke, når batteribeskyttelsessystemet aktiveres.

## Afbryderbetjening

**⚠️FORSIGTIG:** Inden akkuen sættes i maskinen, bør De altid kontrollere, at afbryderknappen fungerer korrekt, og returnerer til "OFF"-positionen, når den slippes.

**⚠️FORSIGTIG:** Når maskinen ikke er i brug, skal du trykke på afbryderlåseknapen fra "A"-siden for at låse afbryderknappen fast i FRA-stillingen.

En afbryderlåseknap forhindrer, at der trykkes på afbryderknappen ved et uheld.

Maskinen startes ved at trykke afbryderlåseknapen ind fra "B"-siden og trykke på afbryderknappen.

Maskinens hastighed øges ved at øge trykket på afbryderknappen. Slip afbryderknappen for at stoppe. Tryk altid afbryderlåseknapen ind fra "A"-siden efter brug. For kontinuerlig brug skal du trykke på afbryderknappen og derefter skubbe låseknapen ind. For at stoppe maskinen fra den låste position skal du trykke afbryderknappen helt ind for at låse op.

► **Fig.4:** 1. Afbryderknap 2. Låseknap 3. Afbryderlåseknap

## Tænding af lampen foran

**⚠️FORSIGTIG:** Kig aldrig direkte på lyskilden. Lad ikke lyset falde i Deres øjne.

Tryk på lampekontakten for at tænde for lampen. Tryk på lampekontakten igen for at slukke for lampen. Hvis maskinen efterlades uden nogen betjening i ca. 60 sekunder med motoren stoppet, slukker lampen.

► **Fig.5:** 1. Lampe 2. Lampekontakt

**BEMÆRKNING:** Brug en tør klud til at tørre snavset af lampens linse. Pas på ikke at ridse lampens linse, da dette muligvis kan dæmpe belysningen.

## Valg af hastighedstilstanden

**BEMÆRKNING:** Ændr kun hastighedstilstanden, efter at maskinen er stoppet helt.

Maskinen anvender omskifterknappen til ændring af hastighedstilstand. Drej på knappen så pilen på knappen peger mod en af de to tilstande nedenfor;

1	<b>Lavhastighedstilstand:</b> Afgiv fedt ved en konstant lav hastighed.
2	<b>Autohastighedstilstand:</b> Påfør fedt mens strømningshastigheden automatisk varieres i overensstemmelse med trykket på forsyningsdestinationen.

► **Fig.6:** 1. Omskifterknop til ændring af hastighedstilstand

## Overtryksventil

Når det interne tryk i maskinen overstiger et vist niveau, kommer fedtet ud fra overtryksventilen for at reducere det interne tryk.

► **Fig.7:** 1. Overtryksventil

**⚠️FORSIGTIG:** Når der kommer fedt ud fra overtryksventilen, skal du tørre fedtet af med en tør klud eller lignende. Ellers kan den muligvis glide ud af hænderne og forårsage en personskade.

## SAMLING

**⚠️FORSIGTIG:** Sørg altid for at maskinen er slukket, og at akkuen er taget ud, før der udføres noget arbejde på maskinen.

## Afmontering eller montering af cylinder

Skrue cylinderen som illustreret for at afmontere den.

► **Fig.8:** 1. Cylinder

For at montere cylinderen skal du sætte den ind i maskinen og derefter skrue i omvendt retning.

► **Fig.9:** 1. Cylinder

## Håndtag på stang

Træk i håndtaget på stangen mens du fylder fedt i cylinderen.

► **Fig.10:** 1. Håndtag på stang 2. Stang

For at låse håndtaget på stangen i fuldt udtrukket tilstand skal du trække håndtaget på stangen ud, indtil rillen på stangen kan ses, og derefter hægte rillen ind i åbningen. For at oplåse håndtaget på stangen skal du afhægte rillen, så stangen bevæger sig fremad.

► **Fig.11:** 1. Rille 2. Åbning

**⚠️FORSIGTIG:** Sørg for, at håndtaget på stangen er låst ordentligt. Ellers kan det utilsigtet blive oplåst, og forårsage at du får noget i klemme.

**BEMÆRK:** For at trække i håndtaget på stangen, mens cylinderen er installeret i maskinen, skal du løsne ventilen for luftdrænet, så der kommer luft ind i cylinderen.

## Slangeholder

Slangeholderen kan monteres på begge sider af maskinen med skruen.

► **Fig.12:** 1. Slangeholder 2. Skruer

## Skuldersele

**⚠️ADVARSEL:** Brug aldrig snorhullet til tøjresnor (sikkerhedsline). Dette kan resultere i alvorlig tilskadekomst, da snorhullet ikke er beregnet til en sikkerhedsanordning for faldforebyggelse.

**⚠️ADVARSEL:** Når du bærer maskinen, skal du fortsætte med at holde i maskinen, selv hvis du anvender skulderselen. Bæres maskinen kun i skulderselen, gør det den ustabil. Skulderselen kan muligvis falde af, eller maskinen kan ramme andre genstande og forårsage tilskadekomst.

Fastgør krogene på skulderselen til monteringerne på snorhullerne som vist på figuren.

► **Fig.13:** 1. Skuldersele 2. Krog 3. Montering

## ANVENDELSE

### Fedttilførsel

**⚠️ADVARSEL:** Sørg for at læse betjeningsvejledningerne til fedtet og/eller andre instrumenter og udskifte det følgende indhold efter behov. Forkert brug eller manglende overholdelse af instruktionerne kan muligvis beskadige maskinen eller forårsage en personskade.

**BEMÆRKNING:** Når du anvender cylinderen med gamle fedtrestre, skal du fjerne cylinderen og fjerne det gamle fedt i overensstemmelse med afsnittet for fjernelse af fedt.

De følgende måder til at give fedt:

## Installation af fedtpatronen (købt kommercielt) i cylinderen

**BEMÆRKNING:** (Kun for A-type cylinder)

**Brug den fedtpatron, hvis rand kan hægtes på cylinderens endeflade.**

**BEMÆRKNING:** (Kun for B-type/C-type cylinder)

**Brug den fedtpatron, hvis rand kan hægtes på cylinderens indvendige trin.**

1. Fjern cylinderen fra maskinen og træk derefter håndtaget på stangen så langt det kan komme og lås det.

2. Fjern plastikhætten på fedtpatronen og sæt fedtpatronen ind i cylinderen.

► **Fig.14:** 1. Fedtpatron (købt kommercielt)  
2. Trækning

3. Fjern trækningen på fedtpatronen og sæt cylinderen ind i maskinen.

Hvis der er et mellemrum mellem randen på fedtpatronen og cylinderen, skal du skrue cylinderen ind i maskinen, mens du trykker cylinderen fremad.

► **Fig.15**

4. Slip håndtaget på stangen.

► **Fig.16**

5. Fjern luften som forbliver i den bane, hvor fedtet skal strømme. (Se i afsnittet for fjernelse af luft.)

## Fyldning af fedt i cylinderen fra en bulkbeholder (købt kommercielt)

1. Fjern cylinderen fra maskinen.

2. Dyp spidsen af cylinderen i fedtet og træk derefter i håndtaget på stangen. Fedtet pumpes op i cylinderen.

► **Fig.17:** 1. Bulkbeholder (købt kommercielt)

3. Træk håndtaget på stangen helt ud og lås det.

► **Fig.18**

4. Monter cylinderen i maskinen og lås derefter håndtaget på stangen op.

5. Fjern luften som forbliver i den bane, hvor fedtet skal strømme. (Se i afsnittet for fjernelse af luft.)

**BEMÆRKNING:** Når du låser håndtaget på stangen, skal du sørge for, at håndtaget på stangen er låst ordentligt. Eller kan håndtaget på stangen utilsigtet låses op, og der kommer fedt ud fra cylinderen.

**BEMÆRK:** (Kun for B-type/C-type cylinder)

**Mængden af fedtpåfyldningen bør være under skruerillelinjen. Ellers flyder fedtet over, når du installerer cylinderen på maskinen.**

► **Fig.19:** 1. Cylinder (B-type/C-type) 2. Skruerille  
3. Fedt

**Du kan også fylde fedt ind i cylinderen vha. en påfyldningspumpe (købt kommercielt) fastgjort til bulkbeholderen.**

1. Fjern proppen til påfyldningsåbningen. Monter en påfyldningsmontering (købt kommercielt) til påfyldningsåbningen.

2. Med cylinderen installeret i maskinen skal du tilslutte påfyldningsmonteringen til monteringen på påfyldningspumpen.

► **Fig.20:** 1. Prop til påfyldningsåbning  
2. Påfyldningsåbning  
3. Påfyldningsmontering (købt kommercielt)  
4. Påfyldningspumpe (købt kommercielt)  
5. Montering

3. Betjen påfyldningspumpen. Stangen af håndtaget på stangen skubbes ud, efterhånden som cylinderen fyldes med fedt.

► **Fig.21**

4. Frakobl påfyldningsmonteringen fra monteringen på påfyldningspumpen.

5. Fjern luften som forbliver i den bane, hvor fedtet skal strømme. (Se i afsnittet for fjernelse af luft.)

**⚠ADVARSEL:** Brug kun en påfyldningsmontering til lavt tryk. Brug aldrig en påfyldningsmontering til højt tryk, da det muligvis kan beskadige maskinen og forårsage personskade.

**⚠FORSIGTIG:** Hold godt fast i maskinen, når du fylder fedt på vha. en påfyldningspumpe. Maskinen kan falde ned og forårsage personskade.

**BEMÆRKNING:** Stop påfyldning af fedtet, når du ser rillen på stangen. Ellers kan der muligvis opstå fedtlækage.

## Fjernelse af luft

Hvis der forbliver luft inde i den bane, hvor fedtet skal strømme, kan maskinen ikke hælde fedtet nøjagtigt. Fjern luften inden hver anvendelse samt også når maskinen ikke synes at fungere ordentligt pga. luft.

1. For at fjerne luft inde fra maskinen skal du løsne ventilen for luftdrænet. Luften kommer ud fra hullet for luftdrænet.

2. Spænd ventilen, når du ser der kommer fedt ud fra hullet.

► **Fig.22:** 1. Ventil

**⚠ADVARSEL:** Anvend beskyttelsesbrillerne når luften fjernes.

**⚠FORSIGTIG:** Tør fedtet af som kommer ud fra luftdrænet med en tør klud eller lignende. Ellers kan den muligvis glide ud af hænderne og forårsage en personskade.

## Afgivelse af fedt

I de følgende tilfælde skal du fjerne det gamle fedt inden i maskinen inden brug:

- Når du anvender maskinen for første gang, eller
- Når du anvender en anden type fedt end tidligere anvendt.

Med det nye fedt fyldt i cylinderen skal du køre maskinen i et stykke tid, indtil det gamle fedt er skubbet ud fra adapteren.



**BEMÆRKNING:** Tilslut ikke adapteren til smøreniplen før det gamle fedt er fjernet. Hvis forskellige slags fedt blandes, kan ydelsen af fedtet muligvis forringes.

**BEMÆRK:** Maskinen er blevet testet på fabrikken, og der er små mængder fedt tilbage.

Udfør den følgende procedure for at afgive fedtet.

**⚠FORSIGTIG:** Kontrollér altid hastighedstilstanden før brug.

**BEMÆRKNING:** Inden du tilslutter adapteren til smøreniplen, skal du sikre dig, at maskinen afgiver fedt på korrekt vis.

**BEMÆRKNING:** Tilslut ikke adapteren til smøreniplen med brug af kraft.

1. Tør adapteren og smøreniplen af inden tilslutning. Tryk adapteren lige mod smøreniplen.

2. Tryk afbryderknappen ind for at afgive fedtet.  
▶ Fig.23

3. Når afgivelsen af fedt er afsluttet, skal du fjerne adapteren fra smøreniplen. Vip adapteren en smule for at frigive det interne tryk og fjern derefter adapteren fra smøreniplen.

Tør fedtet af fra adapteren og smøreniplen.

**BEMÆRKNING:** Lad ikke maskinen køre efter fedtet er brugt op. Det forkorter muligvis maskinens levetid.

**BEMÆRK:** Hvis det interne tryk stiger, mens afbryderknappen ikke er trukket helt ind, aktiveres beskyttelsessystemet, og motoren vil stoppe, selvom maskinen ikke når det maksimale driftstryk. Når der indsprøjtes fedt ved højt tryk, skal du trykke afbryderknappen helt ind.

**BEMÆRK:** Maskinen stopper automatisk, når maskinen har kørt i mere end 6 minutter.

## VEDLIGEHOLDELSE

**⚠FORSIGTIG:** Vær altid sikker på, at værktøjet er slukket, og at akkuen er taget ud, inden De begynder at udføre inspektion eller vedligeholdelse.

**BEMÆRKNING:** Anvend aldrig benzin, rensebenzin, fortynder, alkohol og lignende. Det kan medføre misfarvning, deformation eller revner.

For at opretholde produktets SIKKERHED og PÅLIDELIGHED må reparation, vedligeholdelse eller justering kun udføres af et autoriseret Makita servicecenter eller fabrikksservicecenter med anvendelse af Makita reservedele.

## Fjernelse af fedt

Når du opbevarer maskinen eller anvender cylinderen, hvori der er fedtrest, skal du fjerne cylinderen og fjerne det gamle fedt vha. den følgende procedure.

1. Løsn ventilen for luftdrænet.
2. Træk håndtaget på stangen helt ud og lås det.
3. Fjern cylinderen fra maskinen.
4. Oplås håndtaget på stangen. Bliv ved med at holde i håndtaget på stangen og flyt langsomt håndtaget på stangen fremad, så fedtet kommer ud af cylinderen.

**⚠FORSIGTIG:** Fjern ikke hånden fra håndtaget på stangen. Ellers springer fedtet voldsomt ud.

**BEMÆRKNING:** Hold støv væk fra indersiden af cylinderen. Støv kan muligvis blive tilstoppet i maskinen.

**BEMÆRKNING:** Rengør indersiden af cylinderen én gang hver tredje måned.

## EKSTRAUDSTYR

**⚠FORSIGTIG:** Det følgende tilbehør og ekstraudstyr er anbefalet til brug med Deres Makita maskine, der er beskrevet i denne brugsanvisning. Anvendelse af andet tilbehør eller ekstraudstyr kan udgøre en risiko for personskaade. Anvend kun tilbehør og ekstraudstyr til det beskrevne formål.

Hvis De behøver hjælp ved valg af tilbehør eller ønsker yderligere informationer, bedes De kontakte Deres lokale Makita servicecenter.

- Adapter
- Fleksibel slange
- Cylinder
- Patroncylinder
- Skuldersele
- Lås til-adapter
- Vinkeladapter
- Original Makita-akku og oplader

**BEMÆRK:** Nogle ting på denne liste kan være inkluderet i værktøjsspakken som standardtilbehør. Det kan være forskellige fra land til land.

## Udskiftning af adapteren

Løsn og fjern den gamle adapter med to skruenøgler som vist og spænd derefter den nye adapter ordentligt.  
▶ Fig.24

**BEMÆRK:** Hvis der lækker fedt fra samlingen mellem slangen og adapteren, skal du vikle gevindtætningstape omkring gevinddelen på slangen, inden du tilslutter adapteren.

## Udskiftning af den fleksible slange

Løsn og fjern den gamle fleksible slange med en skrueenøgle som vist og spænd derefter den nye fleksible slange ordentligt.

► Fig.25

**⚠FORSIGTIG:** Udskift gummiringen fastgjort til tilkoblingsdelene på den nye fleksible slange på samme tid. Hvis du udskifter den fleksible slange uden gummiringen eller med den gamle gummiring, kan fedtet lække og forårsage en personskade.

## Skift af cylinderen

**BEMÆRK:** Cylindertypen varierer afhængigt af landet.

**BEMÆRK:** For at montere en cylinder af en anden type kræves der ekstra dele, som er beskrevet nedenfor, afhængigt af typen af cylinder.

## Skift af cylinderen fra A-type til B-type/C-type

1. Fjern cylinderen af A-typen.

2. Fjern skruen og derefter muffen.

► Fig.26: 1. Muffe 2. Skruer

3. Sæt samlingen med gummipakningen ind mens du retter tappet ind med rillen på monteringsdelen og fastgør den med skruer.

4. Monter cylinderen af B-typen/C-typen.

► Fig.27: 1. Samling 2. Gummipakning 3. Tap 4. Rille 5. Skruer

## Skift af cylinderen fra B-type/C-type til A-type

1. Fjern cylinderen af B-typen/C-typen.

2. Skru samlingen ud og fjern den.

► Fig.28: 1. Samling 2. Gummipakning 3. Skruer

3. Sæt muffen ind i maskinhuset og fastgør den med en skrue.

4. Monter cylinderen af A-typen.

► Fig.29: 1. Muffe 2. Skruer

## Patroncylinder

Du kan se fedtpatronen gennem hullet på patroncylinderen.

► Fig.30

Når du anvender patroncylinderen, skal du overføre stempeldele fra den tilsvarende cylinder til patroncylinderen.

► Fig.31: 1. Stempeldele 2. Patroncylinder

Hvis det er svært at trække håndtaget på stangen ud, skal du udføre proceduren nedenfor.

1. Sæt den tomme fedtpatron ind i cylinderen.

► Fig.32: 1. Tom fedtpatron

2. Træk i håndtaget på stangen og lås det.

► Fig.33

3. Fjern den tomme fedtpatron fra cylinderen.

## Lås til-adapter

**⚠FORSIGTIG:** Pas på ikke at få fingeren i klemme på lås til-adapteren.

**⚠FORSIGTIG:** Anvend beskyttelsesbrillerne.

Når du fjerner lås til-adapteren fra smørepiplen, sprøjter der muligvis fedt ud af maskinen, hvilket kan forårsage en personskade.

Når du tilslutter lås til-adapteren til smørepiplen, skal du skubbe lås til-adapteren lige på smørepiplen, mens du trykker på håndtaget på lås til-adapteren, og derefter slippe håndtaget.

► Fig.34: 1. Håndtag 2. Lås til-adapter

Se afsnittet om udskiftning af adapteren angående samling af lås til-adapteren.

## Vinkeladapter

Når du monterer vinkeladapteren, skal du skubbe maskinens adapter lige på vinkeladapteren.

► Fig.35: 1. Vinkeladapter

## SPECIFIKĀCIJAS

Modelis:		DGP180
Nominālais spriegums		Līdzstrāva 18 V
Smērvielas apjoms (ar A tipa cilindra tvertni)	Kasetne	410 g
	Uzpildoties	455 g
Smērvielas apjoms (ar B tipa cilindra tvertni)	Kasetne	450 g
	Uzpildoties	570 g
Maksimālais darbināmais spiediens		69 MPa
Maksimālais plūsmas ātrums	Samazināta ātruma režīms	145 ml/min
	Automātiskais ātruma režīms	290 ml/min
Lietojamās smērvielas tips		NLGI Nr.0–Nr.2
Šļūtenes garums		1 200 mm
Kopējais garums	Ar A tipa cilindra tvertni	411 mm
	Ar B tipa cilindra tvertni	449 mm
Tīrsvars		4,8 – 6,1 kg

**PIEZĪME:** Cilindra tvertnes tips (A tipa vai B tipa) dažādās valstīs atšķiras.

- Nepārtrauktās izpētes un izstrādes programmas dēļ šeit uzrādītās specifikācijas var tikt mainītas bez brīdinājuma.
- Specifikācijas un akumulatora kasetne var atšķirties dažādās valstīs.
- Svārs var būt atšķirīgs atkarībā no papildierīces (-ēm), tostarp akumulatora kasetnes. Tabulā ir attēlota vieglākā un smagākā kombinācija atbilstoši EPTA procedūrai 01/2014.

### Piemērotā akumulatora kasetne un lādētājs

Akumulatora kasetne	BL1815N / BL1820B / BL1830B / BL1840B / BL1850B / BL1860B
Lādētājs	DC18RC / DC18RD / DC18RE / DC18SD / DC18SE / DC18SF / DC18SH

- Daži no iepriekš norādītajiem lādētājiem un akumulatora kasetnēm var nebūt pieejami atkarībā no jūsu mītnes reģiona.

**▲BRĪDINĀJUMS:** Izmantojiet vienīgi iepriekš norādītās akumulatora kasetnes un lādētājus. Cita tipa akumulatora kasetņu un lādētāju izmantošana var radīt traumu un/vai aizdegšanās risku.

### Paredzētā lietošana

Darbarīks ir paredzēts smērvielas padošanai.

### Trokšņa līmenis

Tipiskais A svārtais trokšņa līmenis noteikts saskaņā ar EN62841-1:

Skaņas spiediena līmeni ( $L_{pA}$ ): 76 dB (A)

Mainīgums (K): 3 dB (A)

**PIEZĪME:** Paziņotā trokšņa emisijas vērtība noteikta atbilstoši standarta pārbaudes metodei, un to var izmantot, lai salīdzinātu vienu darbarīku ar citu.

**PIEZĪME:** Paziņoto trokšņa emisijas vērtību arī var izmantot iedarbības sākotnējā novērtējumā.

**▲BRĪDINĀJUMS:** Lietojiet ausu aizsargus.

**▲BRĪDINĀJUMS:** Trokšņa emisija patiesos darba apstākļos var atšķirties no paziņotās vērtības atkarībā no darbarīka izmantošanas veida un jo īpaši atkarībā no apstrādājamā materiāla veida.

**▲BRĪDINĀJUMS:** Lai aizsargātu lietotāju, nosakiet drošības pasākumus, kas pamatoti ar iedarbību reālos darba apstākļos (ņemot vērā visus ekspluatācijas cikla posmus, piemēram, laiku, kamēr darbarīks ir izslēgts un kad darbojas tukšgaitā, kā arī palaišanas laiku).

## Vibrācija

Vibrācijas kopējā vērtība (trīsas vektora summa) noteikta atbilstoši EN62841-1:  
Vibrācijas izmēte ( $a_v$ ): 2,5 m/s<sup>2</sup> vai mazāk  
Mainīgums (K): 1,5 m/s<sup>2</sup>

**PIEZĪME:** Paziņotā kopējā vibrācijas vērtība noteikta atbilstoši standarta pārbaudes metodei, un to var izmantot, lai salīdzinātu vienu darbarīku ar citu.

**PIEZĪME:** Paziņoto kopējo vibrācijas vērtību arī var izmantot iedarbības sākotnējā novērtējumā.

**▲BRĪDINĀJUMS:** Vibrācijas emisija patiesos darba apstākļos var atšķirties no paziņotās vērtības atkarībā no darbarīka izmantošanas veida un jo īpaši atkarībā no apstrādājamā materiāla veida.

**▲BRĪDINĀJUMS:** Lai aizsargātu lietotāju, nosakiet drošības pasākumus, kas pamatoti ar iedarbību reālos darba apstākļos (ņemot vērā visus ekspluatācijas cikla posmus, piemēram, laiku, kamēr darbarīks ir izslēgts un kad darbojas tukšgaitā, kā arī palaides laiku).

## EK atbilstības deklarācija

*Tikai Eiropas valstīm*

EK atbilstības deklarācija šajā lietošanas rokasgrāmatā ir iekļauta kā A pielikums.

## DROŠĪBAS BRĪDINĀJUMI

### Vispārīgi elektrisko darbarīku drošības brīdinājumi

**▲BRĪDINĀJUMS:** Izlasiet visus drošības brīdinājumus, instrukcijas, apskatiet ilustrācijas un tehniskos datus, kas iekļauti mehānizētā darbarīka komplektācijā. Ja netiek ievēroti visi tālāk minētie noteikumi, var tikt izraisīta elektrotrauma, notikt aizdegšanās un/vai rasties smagas traumas.

### Glabājiet visus brīdinājumus un norādījumus, lai varētu tajos ieskatīties turpmāk.

Termins „elektrisks darbarīks” brīdinājumus attiecas uz tādu elektrisko darbarīku, ko darbina ar elektrību (ar vadu), vai tādu, ko darbina ar akumulatoru (bez vada).

### Brīdinājumi par bezvadu eļļošanas pistoles drošu lietošanu

1. Darbarīku turiet cieši.
2. Nelietojiet darbarīku tuvu atklātai liesmai. Smērviela var būt uzliesmojoša.
3. Izmantojiet tikai tās smērvielas, kas atbilst šajā lietošanas pamācībā norādītajiem tehniskajiem datiem. Cita veida smērvielas vai citu materiālu, izņemot smērvielas, lietošana var izraisīt kļūmi.

4. Izņemot smērvielas, nelietojiet nekādus citus materiālus, piemēram, eļļu. Tā var izšļākties no darbarīka un nokļūt acīs.
5. Nesot darbarīku, neturiet to aiz elastīgās šļūtenes vai kāta ruktura.
6. Valkājiet aizsargbrilles darbarīka lietošanas laikā.
7. Pirms katras lietošanas reizes pārbaudiet elastīgo šļūteni. Neizmantojiet šļūteni, ja tā ir savijusies vai bojāta. Pakļaujot šļūteni augstam spiedienam, tā var plīst un smērviela var iekļūt acīs.
8. Pārliecinieties, vai kāts ir stingri nostiprināts. Kāts var nejauši izkustēties un izraisīt saspiēšanos.
9. Pirms lietošanas izlasiet un ievērojiet smērvielas ražotāja norādījumus.
10. Rokas un apģērbu turiet atstatu no ruktura kāta stieņa. Citādi var iespiest pirkstu vai apģērbu.
11. Noslaukiet smērvielu, kas uzkrājas uz darbarīka. Citādi virsma kļūst slidena, un tas var izraisīt ievainojumus.
12. Nelokiet ar spēku elastīgo šļūteni, vai neuzkāpiet uz tās. Rezultātā var rasties bojājums vai šļūtenes deformācija.
13. Nevērsiet adaptera galu pret tuvumā esošām personām.
14. Lietojiet tikai Makita norādīto elastīgo šļūteni. Cita veida šļūtenes lietošana var izraisīt ievainojumus.

## SAGLABĀJIET ŠOS NORĀDĪJUMUS.

### Svarīgi drošības norādījumi par akumulatora kasetni

1. Pirms akumulatora lietošanas izlasiet visus norādījumus un brīdinājumus, kuri attiecas uz (1) akumulatora lādētāju, (2) akumulatoru un (3) ierīci, kurā tiek izmantots akumulators.
2. Akumulatora kasetni nedrīkst ne pārveidot, ne izjaukt. Citādi var tikt izraisīta aizdegšanās, pārmērīgs karstums vai sprādziens.
3. Ja akumulatora darbības laiks kļūva ievērojami īsāks, nekavējoties pārtrauciet to izmantot. Citādi, tas var izraisīt pārkarsējumu, uzliesmojumu vai pat sprādzienu.
4. Ja elektrolīts nonāk acīs, izskalojiet tās ar tīru ūdens un nekavējoties griezieties pie ārsta. Tas var izraisīt redzes zaudēšanu.
5. Neradiet īssavienojumu akumulatora kasetnē:
  - (1) Nepieskarieties spaiļēm ar elektrību vadošiem materiāliem.
  - (2) Neuzglabājiet akumulatoru kasetni kopā ar citiem metāla priekšmetiem, tādiem kā naglas, monētas u. c.
  - (3) Nepakļaujiet akumulatora kasetni ūdens vai lietus iedarbībai.Akumulatora īssavienojums var radīt spēcīgu strāvas plūsmu, pārkaršanu, uzliesmojumu un pat sabojāt akumulatoru.

6. **Neglābājiet un neizmantojiet darbarīku un akumulatora kasetni vietās, kur temperatūra var sasniegt vai pārsniegt 50 °C (122 °F).**
7. **Nededziniet akumulatora kasetni, pat ja tā ir stipri bojāta vai pilnībā nolietota. Akumulatora kasetne ugunī var eksplodēt.**
8. **Akumulatora kasetni nedrīkst naglot, griezt, saspīst, mest vai nomet, kā arī pa to nedrīkst sist ar cietu priekšmetu. Šādas darbības var izraisīt aizdegšanos, pārmērīgu karstumu vai sprādzienu.**
9. **Neizmantojiet bojātu akumulatoru.**
10. **Uz izmantotajiem litija jonu akumulatoriem attiecas likumdošanas prasības par bīstamiem izstrādājumiem.**  
Komerציālā transportēšanā, ko veic, piemēram, trešās puses, transporta uzņēmumi, jāievēro uz iesaiņojuma un marķējuma norādītās īpašās prasības.  
Lai izstrādājumu sagatavotu nosūtīšanai, jāsaziņās ar bīstamo materiālu speciālistu. Ievērojiet arī citus attiecināmos valsts normatīvus.  
Vajējus kontaktus nosedziet ar līmlenti vai citādi pārklājiet, bet akumulatoru iesaiņojiet tā, lai sainī tas nevarētu izkustēties.
11. **Lai utilizētu akumulatora kasetni, izņemiet to no darbarīka un likvidējiet drošā vietā. Ievērojiet vietējos noteikumus par akumulatora likvidēšanu.**
12. **Izmantojiet šos akumulatorus tikai ar izstrādājumiem, kurus norādījis Makita. Ievietojot šos akumulatorus nesaderīgos izstrādājumos, var rasties ugunsgrēks, pārmērīgs karstums, tie var uzsprāgt vai no tiem var iztect elektrolīts.**
13. **Ja darbarīks netiks lietots ilgu laiku, no tā jāizņem akumulators.**
14. **Lietošanas laikā vai pēc tās akumulatora kasetne var uzkrāt siltumu, kas var izraisīt apdegumus vai zemas temperatūras apdegumus. Ar karstu akumulatora kasetni apejieties rūpīgi.**
15. **Nepieskarieties darbarīka izvadam uzreiz pēc lietošanas, jo tas var būt sakarsis un izraisīt apdegumus.**
16. **Neļaujiet akumulatora kasetnes izvadā, atvērēs un rievās uzkrāties skaidām, putekļiem vai augsnei. Tādējādi darbarīks vai akumulatora kasetne var sākt darboties nekvalitatīvi vai tikt sabojāti.**
17. **Neizmantojiet akumulatora kasetni augstsprieguma līniju tuvumā, izņemot gadījumus, kad darbarīks ir piemērots lietošanai augstsprieguma līniju tuvumā. Citādi darbarīks vai akumulatora kasetne var sākt darboties nepareizi vai tikt sabojāti.**
18. **Glābājiet akumulatoru bērniem nepieejamā vietā.**

## SAGLABĀJIET ŠOS NORĀDĪJUMUS.

**⚠️UZMANĪBU:** Lietojiet tikai oriģinālos Makita akumulatorus. Ja lietojat neoriģinālus Makita akumulatorus vai pārveidotus akumulatorus, tie var uzsprāgt un izraisīt aizdegšanos, traumas un materiālos zaudējumus. Tīks anulēta arī Makita darbarīka un lādētāja garantija.

## Ieteikumi akumulatora kalpošanas laika pagarināšanai

1. **Uzlādējiet akumulatora kasetni, pirms tā ir pilnībā izlādējusies. Vienmēr, kad ievērojat, ka darbarīka darba jauda zudusi, apturiet darbarīku un uzlādējiet akumulatora kasetni.**
2. **Nekad neuzlādējiet pilnībā uzlādētu akumulatora kasetni. Pārmērīga uzlāde saīsina akumulatora kalpošanas laiku.**
3. **Uzlādējiet akumulatora kasetni istabas temperatūrā 10 °C - 40 °C. Karstai akumulatora kasetnei pirms uzlādes ļaujiet atdzist.**
4. **Kad akumulatora kasetne netiek izmantota, izņemiet to no darbarīka vai lādētāja.**
5. **Uzlādējiet litija jonu akumulatora kasetni, ja to ilgstoši nelietosit (vairāk nekā sešus mēnešus).**

## DETAĻU APRAKSTS

### ► Att.1

1	Slēdža mēlīte	2	Bloķēšanas poga	3	Lampas slēdzis
4	Lampa	5	Mēlītes bloķēšanas poga	6	Ātruma režīma pārslēdzējs
7	Gaisa ventilis	8	Uzpildīšanas atveres aizbāznis	9	Lokanā šūtene
10	Adapters	11	Saites atvere	12	Akumulatora kasetne
13	Cilindra tvertne	14	Kāta rokturis	15	Šūtenes turētājs
16	Pārspiediena vārsti	17	Pleca sikсна	-	-

# FUNKCIJU APRAKSTS

**⚠ UZMANĪBU:** Pirms darbarīka regulēšanas vai tā darbības pārbaudes vienmēr pārliecinieties, ka darbarīks ir izslēgts un akumulatora kasetne ir izņemta.

## Akumulatora kasetnes uzstādīšana un izņemšana

**⚠ UZMANĪBU:** Vienmēr pirms akumulatora kasetnes uzstādīšanas vai noņemšanas izslēdziet darbarīku.

**⚠ UZMANĪBU:** Uzstādot vai izņemot akumulatora kasetni, darbarīku un akumulatora kasetni turiet cieši. Ja darbarīku un akumulatora kasetni netur cieši, tie var izkrist no rokām un radīt bojājumus darbarīkam un akumulatora kasetnei, kā arī izraisīt ievainojumus.

► **Att.2:** 1. Sarkanās krāsas indikators 2. Poga 3. Akumulatora kasetne

Lai izņemtu akumulatora kasetni, izvelciet to no darbarīka, pārbīdot kasetnes priekšpusē esošo pogu.

Lai uzstādītu akumulatora kasetni, salāgojiet mēlīti uz akumulatora kasetnes ar rienu ietvarā un iebīdiet to vietā. Ievietojiet to līdz galam, līdz tā ar klikšķi nofiksējas. Ja pogas augšējā daļā redzams sarkanās krāsas indikators, tas nozīmē, ka tā nav pilnīgi fiksēta.

**⚠ UZMANĪBU:** Vienmēr ievietojiet akumulatora kasetni tā, lai sarkanais indikators nebūtu redzams. Pretējā gadījumā tā var nejauši izkrist no darbarīka un izraisīt jums vai apkārtējiem traumas.

**⚠ UZMANĪBU:** Neievietojiet akumulatora kasetni ar spēku. Ja kasetne neslid ietvarā viegli, tā nav pareizi ielikta.

## Darbarīka/akumulatora aizsardzības sistēma

Darbarīkam ir darbarīka/akumulatora aizsardzības sistēma. Šī sistēma automātiski izslēdz strāvas padevi motoram, lai pagarinātu darbarīka un akumulatora darbību. Lietošanas laikā darbarīks automātiski pārstās darboties, ja darbarīku vai akumulatoru pakļaus kādam no šādiem apstākļiem.

### Aizsardzība pret pārslodzi

Ja darbarīku/akumulatoru lieto tā, ka tas patērē pārmērīgi lielu strāvas daudzumu, darbarīks automātiski, bez iepriekšēja brīdinājuma pārstāj darboties. Šādā gadījumā izslēdziet darbarīku un pārtrauciet darbību, kas izraisīja darbarīka pārslodzi. Tad ieslēdziet darbarīku, lai atsāktu darbu.

### Aizsardzība pret pārkaršanu

Ja darbarīks vai akumulators ir pārkaris, darbarīks automātiski izslēdzas un sāk mirgot lampa. Šādā gadījumā ļaujiet darbarīkam un akumulatoram atdzist un tikai tad atkal ieslēdziet darbarīku.

### Aizsardzība pret akumulatora pārmērīgu izlādi


















Ja akumulatora jaudas līmenis ir zems, darbarīks automātiski pārstāj darboties. Šajā gadījumā akumulatoru izņemiet no darbarīka un uzlādējiet.

**PIEZĪME:** Aizsardzības sistēma sāks darboties atkarībā no apkārtējās vides temperatūras vai smērvielas veida un stāvokļa.

## Atlikušās akumulatora jaudas indikators

**Tikai akumulatora kasetnēm ar indikatoru**

► **Att.3:** 1. Indikatora lampas 2. Pārbaudes poga  
Nospiediet akumulatora kasetnes pārbaudes pogu, lai pārbaudītu akumulatora atlikušo uzlādes līmeni. Indikatoru iedegsies uz dažām sekundēm.

Indikatora lampas			Atlikušā jauda
 Iededzies	 Izslēgts	 Mirgo	
			No 75% līdz 100%
			No 50% līdz 75%
			No 25% līdz 50%
			No 0% līdz 25%
			Uzlādējiet akumulatoru.
 	 ↑ ↓ 		Iespējama akumulatora kļūme.

**PIEZĪME:** Reālā jauda var nedaudz atšķirties no norādītās atkarībā no lietošanas apstākļiem un apkārtējās temperatūras.

**PIEZĪME:** Akumulatora aizsardzības sistēmas darbības laikā mirgo pirmais (kreisais malējais) indikators.

## Slēdža darbība

**⚠ UZMANĪBU:** Pirms akumulatora kasetnes uzstādīšanas darbarīkā vienmēr pārbaudiet, vai slēdža mēlīte darbojas pareizi un pēc atlaišanas atgriežas stāvoklī „OFF” (izslēgts).

**⚠ UZMANĪBU:** Ja darbarīku neizmantojat, vienmēr nospiediet mēlītes bloķēšanas pogu A pusē, lai bloķētu slēdža mēlīti stāvoklī OFF (izslēgts).

Lai novērstu nejaušu slēdža mēlītes piespiešanu, darbarīks ir aprīkots ar mēlītes bloķēšanas pogu.

Lai ieslēgtu darbarīku, bloķēšanas pogu izspiediet B pusē un nospiediet slēdža mēlīti.

Darbarīka ātrumu palielina, pastiprinot spiedienu uz slēdža mēlīti. Lai apturētu darbarīku, atlaidiet slēdža mēlīti. Pēc izmantošanas vienmēr nospiediet uz iekšu mēlītes bloķēšanas pogu no A puses.

Lai darbarīks darbotos nepārtraukti, pavelciet slēdža mēlīti un iespiediet bloķēšanas pogu. Lai apturētu darbarīku, kad slēdzis ir bloķēts, nospiediet slēdža mēlīti līdz galam, lai atbloķētu.

► **Att.4:** 1. Slēdža mēlīte 2. Bloķēšanas poga 3. Mēlītes bloķēšanas poga

## Priekšējās lampas ieslēgšana

**⚠UZMANĪBU:** Neskatieties gaismā, neļaujiet tās avotam iespīdēt acīs.

Nospiediet gaismas slēdzi, lai ieslēgtu lampu. Atkārtoti nospiediet gaismas slēdzi, lai izslēgtu lampu. Kad darbarīks ir aptuveni 60 sekundes atstāts bez darbības un motors netiek darbināts, lampu izdzies.

► **Att.5:** 1. Lampa 2. Lampas slēdzis

**IEVĒRĪBAI:** Ar sausu lupatiņu notīriet neīrums no lampas lēcas. Izvairieties saskrāpēt lampas lēcu, jo tādējādi tiek samazināts apgaismojums.

## Ātruma režīma izvēle

**IEVĒRĪBAI:** Mainiet ātruma režīmu tikai tad, kad darbarīks ir pilnībā apturēts.

Šis darbarīks ir aprīkots ar ātruma režīma maiņas rokturi. Pagrieziet rokturi tā, lai bultiņa uz roktura būtu pavērta pret vienu no diviem tālāk norādītajiem režīmiem.

1	<b>Samazināta ātruma režīms:</b> padod smērvielu lēnā un vienmērīgā ātrumā.
2	<b>Automātiskais ātruma režīms:</b> padod smērvielu, kamēr plūsmas ātrums tiek automātiski mainīts atkarībā no padeves vietas spiediena.

► **Att.6:** 1. Ātruma režīma pārlēdzējs

## Pārspiediena vārsts

Ja iekšējais spiediens darbarīkā pārsniedz noteiktu līmeni, no pārspiediena vārsta tiek izvadīta smērviela, lai pazeminātu iekšējo spiedienu.

► **Att.7:** 1. Pārspiediena vārsts

**⚠UZMANĪBU:** Kad no pārspiediena vārsta tiek izvadīta smērviela, notīriet to ar sausu drāniņu vai līdzīgu materiālu. Citādi virsma kļūst slidena, un tas var izraisīt ievainojumus.

## MONTĀŽA

**⚠UZMANĪBU:** Pirms darbarīka regulēšanas vai apkopes vienmēr pārliecinieties, ka darbarīks ir izslēgts un akumulatora kasetne ir izņemta.

## Cilindra tvertnes noņemšana vai uzstādīšana

Lai noņemtu cilindra tvertni, noskrūvējiet to, kā norādīts zīmējumā.

► **Att.8:** 1. Cilindra tvertne

Lai uzstādītu cilindra tvertni, ievietojiet to darbarīkā un skrūvējiet pretēji pulksteņrādītāju kustības virzienam.

► **Att.9:** 1. Cilindra tvertne

## Kāta rokturis

Pavelciet kāta rokturi, kad iepildāt smērvielu cilindra tvertnē.

► **Att.10:** 1. Kāta rokturis 2. Kāts

Lai pilnībā nobloķētu kāta rokturi, pavelciet to, līdz ir redzama kāta rievā, un pēc tam pieāķējiet rievu pie atveres. Lai atbloķētu kāta rokturi, atāķējiet rievu, lai kātu atkal varētu kustināt.

► **Att.11:** 1. Rievā 2. Atvere

**⚠UZMANĪBU:** Pārliecinieties, vai kāta rokturis ir stingri nobloķēts. Citādi tas var nejauši izkustēties un izraisīt saspiēšanos.

**PIEZĪME:** Lai pavilktu kāta rokturi, kamēr cilindra tvertne ir uzstādīta darbarīkā, atskrūvējiet gaisa ventili, lai gaiss tvertnē varētu brīvi ieplūst.

## Šļūtenes turētājs

Šļūtenes turētāju ar skrūvi var pievienot abās darbarīka pusēs.

► **Att.12:** 1. Šļūtenes turētājs 2. Skrūve

## Pleca sikсна

**⚠BRĪDINĀJUMS:** Nekad nelietojiet siksnas caurumu saitei (stiprinājuma saitei). Šādi rīkojoties, var rasties nopietnas traumas, jo siksnas caurums nav paredzēts drošības ierīcei kritienu novēršanai.

**⚠BRĪDINĀJUMS:** Darbarīka pārnēsāšanas laikā neatļaidiet to pat tad, ja izmantojat pleca siksnu. Darbarīka pārnēsāšana, izmantojot tikai pleca siksnu, padara to nestabilu. Pleca sikсна var atvienoties, vai darbarīks var sadurties ar citiem objektiem un izraisīt traumu.

Ievietojiet pleca siksnas āķus stiprinājumu caurumos, kā norādīts attēlā.

► **Att.13:** 1. Pleca sikсна 2. Āķis 3. Stiprinājums

## EKSPLUATĀCIJA

### Smērvielas lietošana

**⚠BRĪDINĀJUMS:** Noteikti izlasiet smērvielas un/vai citu instrumentu lietošanas rokasgrāmatas un, vadoties pēc norādījumiem, aizstājiet tālāk norādīto saturu. Nepareiza rīcība vai instrukciju neievērošana var sabojāt darbarīku vai radīt ievainojumus.

**IEVĒRĪBAI:** Izmantojot cilindra tvertni ar nolietotās smērvielas nogulsniem, noņemiet cilindra tvertni un iztīriet smērvielas paliekas saskaņā ar norādēm nodaļā, kur aprakstīta smērvielu nogulšņu iztīrīšana.



Tālāk ir norādīti veidi, kā lietot smērvielas.

## Smērvielu kasetnes (komerciāli iegādātas) ievietošana cilindra tvertnē

**IEVĒRĪBAI:** (Tikai A tipa cilindra tvertnēm)

Izmantojiet smērvielas kasetni, kuras malu var savienot ar cilindra tvertnes ārmaļu.

**IEVĒRĪBAI:** (Tikai B tipa/C tipa cilindra tvertne)

Izmantojiet smērvielas kasetni, kuras malu var savienot ar cilindra tvertnes iekšējo virsmu.

1. Noņemiet cilindra tvertni no darbarīka, pēc tam pilnībā izvelciet kāta rokturi un nobloķējiet to.

2. Noņemiet smērvielas kasetnes plastmasas vāciņu un ievietojiet smērvielas kasetni cilindra tvertnē.

► **Att.14:** 1. Smērvielas kasetne (komerciāli iegādāta) 2. Pavelciet izcilni

3. Noņemiet atvilktu izcilni no smērvielas kasetnes un uzstādi to cilindra tvertnē pie darbarīka.

Ja starp smērvielas kasetnes malu un cilindra tvertni ir sprauga, skrūvējiet cilindra tvertni darbarīkā, spiežot cilindra tvertni ir priekšu.

► **Att.15**

4. Atbrīvojiet kāta rokturi.

► **Att.16**

5. Izvadiet atlikušo gaisu no smērvielas plūsmas ceļiem. (Skatiet sadaļu par gaisa izvadīšanu.)

## Smērvielas uzpildīšana cilindra tvertnē no lielapjoma konteīnera (komerciāli iegādāta).

1. Noņemiet cilindra tvertni no darbarīka.

2. Iemērciet cilindra tvertnes galu smērvielā un velciet kāta rokturi. Smērviela tiks iesūknēta cilindra tvertnē.

► **Att.17:** 1. Lielapjoma konteīners (komerciāli iegādāts)

3. Pilnībā izvelciet kāta rokturi un nobloķējiet to.

► **Att.18**

4. Uzstādi cilindra tvertni darbarīkā un tad atbloķējiet kāta rokturi.

5. Izvadiet atlikušo gaisu no smērvielas plūsmas ceļiem. (Skatiet sadaļu par gaisa izvadīšanu.)

**IEVĒRĪBAI:** Bloķējot kāta rokturi, pārliecinieties, ka tas ir stingri nobloķēts. Pretējā gadījumā, kāta rokturim nejausi atbloķējoties, no cilindra tvertnes izdalās smērviela.

**PIEZĪME:** (Tikai B tipa/C tipa cilindra tvertne)

Smērviela jāiepilda tā, lai tā būtu zem skrūves rievās līnijas. Pretējā gadījumā, uzstādot darbarīkam cilindra tvertni, smērviela pārplūdis.

► **Att.19:** 1. Cilindra tvertne (B tipa/C tipa) 2. Skrūves rievā 3. Smērviela

**Smērvielu var arī iepildīt cilindra tvertnē, izmantojot uzpildes sūkni (komerciāli iegādātu), kas pievienots lielapjoma konteīneram.**

1. Noņemiet uzpildīšanas atveres aizbāzni. Piestipriniet uzpildes pievadu (komerciāli iegādāts) pie uzpildes atveres.

2. Kad cilindra tvertne ir piestiprināta pie darbarīka, ievietojiet uzpildes pievadu uzpildes sūkņa atverē.

► **Att.20:** 1. Uzpildīšanas atveres aizbāznis 2. Uzpildīšanas atvere 3. Uzpildes pievads (komerciāli iegādāts) 4. Uzpildes sūkns (komerciāli iegādāts) 5. Atvere

3. Uzpildes sūkņa darbināšana. Roktura kāts tiks spiests uz āru, kamēr cilindra tvertne tiks uzpildīta ar smērvielu.

► **Att.21**

4. Atvienojiet uzpildes pievadu no uzpildes sūkņa atveres.

5. Izvadiet atlikušo gaisu no smērvielas plūsmas ceļiem. (Skatiet sadaļu par gaisa izvadīšanu.)

**▲BRĪDINĀJUMS:** Lietojiet tikai zema spiediena uzpildes pievadu. Nekad nelietojiet augsta spiediena uzpildes pievadu, citādi var rasties bojājumi darbarīkam, kā arī tas var izraisīt miesas bojājumus.

**▲UZMANĪBU:** Pildot smērvielu ar uzpildes sūkni, stingri turiet darbarīku. Darbarīks var nokrist un izraisīt traumu.

**IEVĒRĪBAI:** Pārtrauciet smērvielas iepildīšanu, kad uz stieņa redzat rievu. Pretējā gadījumā var rasties smērvielas noplūde.

## Gaisa izvadīšana

Ja smērvielas plūsmas ceļos ir gaiss, darbarīks nespēs vienmērīgi padot smērvielu. Pirms katras lietošanas izvadiet gaisu, kā arī tad, ja gaisa dēļ darbarīks nedarbojas pareizi.

1. Lai izvadītu darbarīka iekšpusē esošo gaisu, atskrūvējiet gaisa ventili. Gaiss tiks izvadīts pa gaisa ventīļa atveri.

2. Nostipriniet ventili, kad redzat, ka atverē parādās smērviela.

► **Att.22:** 1. Ventilis

**▲BRĪDINĀJUMS:** Izvadot gaisu, valkājiet aizsargbrilles.

**▲UZMANĪBU:** Notīriet jebkādu smērvielu, kas tiek izvadīta no gaisa ventīļa, ar sausu drāniņu vai līdzīgu materiālu. Citādi virsma kļūst slidena, un tas var izraisīt ievainojumus.



## Smērvielas padošana

Tālāk norādītajos gadījumos pirms lietošanas iztīra smērvielas nogulsnes no darbarīka iekšpusēs:

- pirmo reizi lietojot darbarīku vai
- ja tiek lietota citāda smērviela nekā iepriekšējā lietošanas reizē.

Ar jauno smērvielu, kas iepildīta cilindra tvertnē, kādu brīdi darbiniet darbarīku, līdz vecā smērviela tiek izspiesta no adaptera.

**IEVĒRĪBAI:** Nepievienojiet adapteri eļļošanas nipelim, kamēr vecā smērviela nav iztīrīta. Ja dažādas smērvielas tiek sajauktas, tad smērvielas efektivitāte var pazemināties.

**PIEZĪME:** Darbarīks tika pārbaudīts rūpnīcā, tāpēc tajā iespējamas nelielas smērvielas nogulsnes.

Veiciet tālāk norādīto procedūru, lai padotu smērvielu.

**⚠UZMANĪBU:** Pirms darbarīka lietošanas vienmēr pārbaudiet ātruma režīmu.

**IEVĒRĪBAI:** Pirms pievienojat adapteru pie eļļošanas nipeļa, vienmēr pārliedzinieties, ka darbarīks pareizi padodu smērvielu.

**IEVĒRĪBAI:** Nelietojiet spēku, pievienojot adapteru pie eļļošanas nipeļa.

1. Pirms pievienošanas notīriet adapteru un eļļošanas nipeļi. Uzstumiet adapteru tieši uz eļļošanas nipeļa.

2. Nospiediet slēdža mēlīti, lai padotu smērvielu.  
► **Att.23**

3. Kad smērvielas padošana ir pabeigta, atvienojiet adapteru no eļļošanas nipeļa. Nedaudz sasveriet adapteru, lai atbrīvotu iekšējo spiedienu, un pēc tam atvienojiet adapteru no eļļošanas nipeļa.

Notīriet smērvielu no adaptera un eļļošanas nipeļa.

**IEVĒRĪBAI:** Neatstājiet darbarīku ieslēgtu, pat ja smērviela ir beigusies. Tādējādi tiks saīsināts darbarīka ekspluatācijas laiks.

**PIEZĪME:** Ja iekšējais spiediens palielinās, kamēr slēdža mēlīte nav pilnībā nospiesta, aizsardzības sistēma darbojas un dzinējs tiks apturēts, pat ja rīks nesasniedz maksimālo darba spiedienu. Lai padotu smērvielu ar augstu spiedienu, nospiediet slēdža mēlīti līdz galam.

**PIEZĪME:** Darbarīks automātiski pārtrauks darboties, ja tas tiks atstāts ieslēgts nelietojot vairāk nekā 6 minūtes.

## APKOPE

**⚠UZMANĪBU:** Pirms darbarīka pārbaudes vai apkopes vienmēr pārliedzinieties, ka darbarīks ir izslēgts un akumulatora kasetne ir izņemta.

**IEVĒRĪBAI:** Nekad neizmantojiet gazolīnu, benzīnu, atšķaidītāju, spirtu vai līdzīgus šķidrumus. Tas var radīt izbalēšanu, deformāciju vai plaisas.

Lai saglabātu izstrādājuma DROŠU un UZTICAMU darbību, remontdarbus, apkopi un regulēšanu uzticiet veikt tikai Makita pilnvarotam vai rūpnīcas apkopes centram, un vienmēr izmantojiet tikai Makita rezerves daļas.

## Smērvielas iztīrīšana

Glabājot darbarīku vai lietojot cilindra tvertni, kurā atrodas smērvielas nogulsnes, noņemiet cilindra tvertni un iztīriet veco smērvielu, veicot tālāk norādītās darbības.

1. Atbrīvojiet gaisa ventilu.
2. Pilnībā izvelciet kāta rokturi un nobloķējiet to.
3. Noņemiet cilindra tvertni no darbarīka.
4. Atbloķējiet kāta rokturi. Turiet kāta rokturi un lēnām virziet to uz priekšu tā, lai smērviela tiek izvadīta no cilindra tvertnes.

**⚠UZMANĪBU:** Nenoņemiet roku no kāta roktura. Citādi smērviela tiks izvadīta strauji un nevienmērīgi.

**IEVĒRĪBAI:** Nepakļaujiet putekļiem cilindra tvertnes iekšpusi. Putekļi var aizsprostot darbarīku.

**IEVĒRĪBAI:** Tīriet cilindra tvertnes iekšpusi vienu reizi trīs mēnešos.

## PAPILDU PIEDERUMI

**⚠UZMANĪBU:** Šādi piederumi un papildierces tiek ieteiktas lietošanai ar šajā rokasgrāmatā aprakstīto Makita darbarīku. Izmantojot citus piederumus vai papildierces, var tikt radīta traumu gūšanas bīstamība. Piederumu vai papildierci izmantojiet tikai paredzētajam mērķim.

Ja jums vajadzīga palīdzība vai precīzāka informācija par šiem piederumiem, vērsieties savā tuvākajā Makita apkopes centrā.

- Adapters
- Lokanā šļūtene
- Cilindra tvertne
- Kasetnes cilindra tvertne
- Pleca siksnā
- Adapters ātrai detaļu savienošanai
- Lēnķa adapters
- Makita oriģinālais akumulators un lādētājs

**PIEZĪME:** Daži sarakstā norādītie izstrādājumi var būt iekļauti instrumenta komplektācijā kā standarta piederumi. Tie dažādās valstīs var būt atšķirīgi.

## Adaptera nomaīņa

Lietojot divas uzgriežņu atslēgas, atbrīvojiet un noņemiet veco adapteru, kā norādīts zīmējumā, pēc tam stingri pievelciet jauno adapteru.

► **Att.24**

**PIEZĪME:** Ja no šļūtenes un adaptera savienojuma plūst smērviela, pirms adaptera pievienošanas aptīniet vītnes blīvējuma lenti ap šļūtenes vītnes daļu.

## Elastīgās šļūtenes nomaiņa

Lietojot uzgriežņu atslēgu, atbrīvojiet un noņemiet veco šļūteni, kā norādīts zīmējumā, pēc tam stingri pievelciet jauno elastīgo šļūteni.

► **Att.25**

**UZMANĪBU:** Vienlaikus nomainiet arī gumijas gredzenu, kas pievienots jaunās elastīgās šļūtenes savienojuma daļai. Nomainot elastīgo šļūteni bez gumijas gredzena vai atstājot veco gumijas gredzenu, smērviela var noplūst un radīt savainojumus.

## Cilindra tvertnes nomaiņa

**PIEZĪME:** Cilindra tvertnes tips dažādās valstīs ir atšķirīgs.

**PIEZĪME:** Lai uzstādītu cita tipa cilindra tvertni, tad atkarībā no tvertnes tipa ir nepieciešamas tālāk aprakstītās papildu detaļas.

### A tipa cilindra tvertnes maiņa pret B tipa/C tipa tvertni

1. Noņemiet A tipa cilindra tvertni.
2. Izskrūvējiet skrūvi un noņemiet uzmavu.  
► **Att.26:** 1. Uzmava 2. Skrūve
3. Ievietojiet savienojumu ar gumijas blīvi, pielīdzinot izcilni montāžas daļas rievai, un pēc tam piestipriniet to ar skrūvēm.
4. Uzstādiet B tipa/C tipa cilindra tvertni.  
► **Att.27:** 1. Savienojums 2. Gumijas blīve 3. Izcilnis  
4. Rieva 5. Skrūve

### B tipa/C tipa cilindra tvertnes maiņa pret A tipa tvertni

1. Noņemiet B tipa/C tipa cilindra tvertni.
2. Izskrūvējiet un noņemiet savienojumu.  
► **Att.28:** 1. Savienojums 2. Gumijas blīve 3. Skrūve
3. Ievietojiet uzmavu darbarīka korpusā un piestipriniet ar skrūvi.
4. Uzstādiet A tipa cilindra tvertni.  
► **Att.29:** 1. Uzmava 2. Skrūve

## Kasetnes cilindra tvertne

Caur kasetnes cilindra tvertnes caurumu var redzēt smērvielu.  
► **Att.30**

Lietojot kasetnes cilindra tvertni, attiecīgās cilindra tvertnes virzuļa daļas pārvietojiet uz kasetnes cilindra tvertni.  
► **Att.31:** 1. Virzuļa daļas 2. Kasetnes cilindra tvertne

Ja ir grūti izvilkāt kāta rokturi, rīkojieties, kā norādīts tālāk.

1. Ievietojiet tukšo smērvielas kasetni cilindra tvertnē.  
► **Att.32:** 1. Tukša smērvielas kasetne
2. Izvelciet kāta rokturi un nobloķējiet to.  
► **Att.33**
3. Noņemiet tukšo smērvielas kasetni no cilindra tvertnes.

## Adapters ātrai detaļu savienošanai

**UZMANĪBU:** Neiespiediet pirkstus fiksatoru un adapteru.

**UZMANĪBU:** Valkājiet aizsargbrilles. Noņemot adapteru ātrai detaļu savienošanai no eļļošanas nipeļa, smērviela var iztecēt no darbarīka un izraisīt savainojumus.

Savienojot adaptera caurumu ar eļļošanas nipelī, spiediet adaptera fiksatoru taisni pret eļļošanas nipelī, vienlaikus velkot adaptera fiksatora sviru, pēc tam atlaidiet sviru.

► **Att.34:** 1. Svira 2. Adapters ātrai detaļu savienošanai

Lai noņemtu adaptera fiksatoru, skatiet sadaļu par adaptera maiņu.

## Leņķa adapters

Pievienojot leņķa adapteru, spiediet darbarīka adapteru taisni pret leņķa adapteru.

► **Att.35:** 1. Leņķa adapters

## SPECIFIKACIJOS

Modelis:		DGP180
Vardinė įtampa		Nuol. sr. 18 V
Tepalo talpa (su A tipo vamzdžiu)	Kasetė	410 g
	Tara	455 g
Tepalo talpa (su B tipo vamzdžiu)	Kasetė	450 g
	Tara	570 g
Didžiausias darbinis slėgis		69 MPa
Didžiausias srautas	Mažo greičio režimas	145 ml/min.
	Aut. greičio režimas	290 ml/min.
Naudojamo tepalo tipas		NLGI nr.0 – nr.2
Žarnos ilgis		1 200 mm
Bendrasis ilgis	Su A tipo vamzdžiu	411 mm
	Su B tipo vamzdžiu	449 mm
Grynasis svoris		4,8–6,1 kg

**PASTABA:** Kiekvienoje šalyje vamzdžio tipas (A arba B tipas) skiriasi.

- Atliekame tęstinius tyrimus ir nuolatos tobuliname savo gaminius, todėl čia pateikiamos specifikacijos gali būti keičiamos be įspėjimo.
- Įvairiose šalyse specifikacijos ir akumuliatoriaus kasetė gali skirtis.
- Svoris gali priklausyti nuo priedo (-ų), įskaitant akumuliatoriaus kasetę. Lengviausias ir sunkiausias deriniai pagal EPTA 2014 m. sausio mėn. procedūrą yra parodyti lentelėje.

## Tinkama akumuliatoriaus kasetė ir (arba) įkroviklis

Akumuliatoriaus kasetė	BL1815N / BL1820B / BL1830B / BL1840B / BL1850B / BL1860B
Įkroviklis	DC18RC / DC18RD / DC18RE / DC18SD / DC18SE / DC18SF / DC18SH

- Atsižvelgiant į gyvenamosios vietos regioną, kai kurios pirmiau nurodytos akumuliatoriaus kasetės ir įkrovikliai gali būti neprieinami.

**⚠️ ĮSPĖJIMAS:** Naudokite tik akumuliatoriaus kasetes ir įkroviklius, kurie nurodyti anksčiau. Naudojant bet kurias kitas akumuliatoriaus kasetes ir įkroviklius, gali kilti sužeidimo ir gaisro pavojus.

## Numatytoji naudojimo paskirtis

Šis įrankis skirtas tepalui tiekti.

## Triukšmas

Įprastas triukšmo A lygis, nustatytas pagal EN62841-1:  
Garso slėgio lygis ( $L_{pA}$ ): 76 dB (A)  
Paklaida (K): 3 dB (A)

**PASTABA:** Paskelbta (-os) triukšmo reikšmė (-ės) nustatyta (-os) pagal standartinį testavimo metodą ir jį galima naudoti vienam įrankiui palyginti su kitu.

**PASTABA:** Paskelbta (-os) triukšmo reikšmė (-ės) taip pat gali būti naudojama (-os) norint preliminariai įvertinti triukšmo poveikį.

**⚠️ ĮSPĖJIMAS:** Dėvėkite ausų apsaugą.

**⚠️ ĮSPĖJIMAS:** Faktiškai naudojant elektrinį įrankį, keliamo triukšmo dydis gali skirtis nuo paskelbtos (-ų) reikšmės (-ių), priklausomai nuo būdų, kuriais yra naudojamas šis įrankis, ir ypač nuo to, kokio tipo ruošinys apdirbamas.

**⚠️ ĮSPĖJIMAS:** Siekdami apsaugoti operatorių, būtinai įvertinkite saugos priemones, remdamiesi vibracijos poveikio įvertinimu esant faktinėms naudojimo sąlygoms (atsižvelgdami į visas darbo ciklo dalis, pavyzdžiui, ne tik kiek laiko įrankis veikia, bet ir kiek kartų jis yra išjungiamas bei kai jis veikia be apkravų).

## Vibracija

Vibracijos bendroji vertė (trიაšio vektoriaus suma) nustatyta pagal EN62841-1 standartą:  
Vibracijos emisija ( $a_{hv}$ ): 2,5 m/s<sup>2</sup> arba mažiau  
Paklaida (K): 1,5 m/s<sup>2</sup>

**PASTABA:** Paskelbta (-os) vibracijos bendroji (-osios) reikšmė (-ės) nustatyta (-os) pagal standartinį testavimo metodą ir jį galima naudoti vienam įrankiui palyginti su kitu.

**PASTABA:** Paskelbta (-os) vibracijos bendroji (-osios) reikšmė (-ės) taip pat gali būti naudojama (-os) norint preliminariai įvertinti vibracijos poveikį.

**▲ISPĖJIMAS:** Faktiškai naudojant elektrinį įrankį, keliamos vibracijos dydis gali skirtis nuo paskelbtos (-ų) reikšmės (-ių), priklausomai nuo būdų, kuriais yra naudojamas šis įrankis, ir ypač nuo to, kokio tipo ruošinys apdirbamas.

**▲ISPĖJIMAS:** Siekdami apsaugoti operatorių, būtinai įvertinkite saugos priemones, remdamiės vibracijos poveikio įvertinimu esant faktinėms naudojimo sąlygoms (atsižvelgdami į visas darbo ciklo dalis, pavyzdžiui, ne tik kiek laiko įrankis veikia, bet ir kiek kartų jis yra išjungiamas bei kai jis veikia be apkrovų).

## EB atitikties deklaracija

*Tik Europos šalis*

EB atitikties deklaracija yra pridėdama kaip šio instrukcijų vadovo A priedas.

## SAUGOS ĮSPĖJIMAI

### Bendrieji įspėjimai dirbant elektriniais įrankiais

**▲ISPĖJIMAS:** Perskaitykite visus saugos įspėjimus, instrukcijas, iliustracijas ir techninius duomenis, pateiktus kartu su šiuo elektriniu įrankiu. Nesilaikant visų toliau išvardytų instrukcijų galima patirti elektros smūgį, gali kilti gaisras ir (arba) galima sunkiai susižaloti.

### Išsaugokite visus įspėjimus ir instrukcijas, kad galėtumėte jas peržiūrėti ateityje.

Terminas „elektrinis įrankis“ pateiktuose įspėjimuose reiškia į maitinimo tinklą jungiamą (laidinį) elektrinį įrankį arba akumuliatoriaus maitinamą (belaidį) elektrinį įrankį.

## Saugos įspėjimai dėl belaidžio tepalo pistoleto naudojimo

1. **Tvirtai laikykite įrenginį.**
2. **Nenaudokite įrankio netoli liepsnos.** Tepalas gali būti degus.
3. **Naudokite tik tepalą, kurio techninės sąlygos atitinka nurodytas šioje naudojimo instrukcijoje.** Naudojant kito tipo tepalą arba ne tepalą, įrankis gali sugesti.
4. **Naudokite tik tepalą, pavyzdžiui, nenaudokite alyvos.** Ji gali būti išmesta ir patekti į akis.
5. **Neneškite įrankio, paėmę už lanksčios žarnos arba strypo rankenos.**
6. **Kai naudojate įrankį, užsidėkite akinius.**
7. **Prieš kiekvieną naudojimą patikrinkite lanksčią žarną.** Nenaudokite žarnos, kai ji sulinkusi arba pažeista. Dėl didelio slėgio žarna gali sutrūkti, todėl į akis gali patekti tepalo.
8. **Būtinai gerai įtvirtinkite strypą.** Strypas gali netyčia pajudėti ir prispausti.
9. **Prieš naudodami perskaitykite tepalo gamintojo instrukcijas ir jų laikykitės.**
10. **Rankas ir drabužius laikykite atokiai nuo strypo rankenos strypo.** Antraip tarp dalių gali būti prispausti pirštai arba drabužiai.
11. **Nuvalykite prie įrankio prikibusį tepalą.** Antraip įrankis gali slidinėti ir sužaloti.
12. **Nelenkite lanksčios žarnos per jėgą ar jos nespauskite.** Antraip žarna gali sulūžti arba deformuotis.
13. **Nenukreipkite adapterio į netoliese esančius žmones.**
14. **Naudokite tik „Makita“ nurodytą lanksčią žarną.** Naudojant bet kokią kitą žarną, gali kilti sužalojimo pavojus.

## SAUGOKITE ŠIAS INSTRUKCIJAS.

### Svarbios saugos instrukcijos, taikomos akumuliatoriaus kasetei

1. **Prieš naudodami akumuliatoriaus kasetę, perskaitykite visas instrukcijas ir perspėjimus ant (1) akumuliatorių įkroviklio, (2) akumuliatorių ir (3) akumuliatorių naudojančio gaminio.**
2. **Neardykite ir negadinkite akumuliatoriaus kasetės.** Dėl to ji gali užsidegti, per daug įkaisti arba sprogti.
3. **Jeį įrankio darbo laikas žymiai sutrumpėjo, nedelsdami nutraukite darbą su įrankiu.** Tai gali kelti perkaitimo, nudegimų ar net sprogdimo pavojų.
4. **Jeį elektrolitas pateko į akis, plaukite jas tyru vandeniu ir nedelsdami kreipkitės į gydytoją.** Gali kilti regėjimo praradimo pavojus.
5. **Neužtrumpinkite akumuliatoriaus kasetės:**
  - (1) Nelenkite kontaktų degiomis medžiagomis.
  - (2) Venkite laikyti akumuliatoriaus kasetę kartu su kitais metaliniais daiktais, pavyzdžiui, vinimis, monetomis ir pan.
  - (3) Saugokite akumuliatoriaus kasetę nuo vandens ir lietaus.

- Trumpasis jungimas akumulatoriuje gali sukelti stiprią srovę, perkaitimą, galimus nudegimus ar net akumulatoriaus gedimą.
- Nelaikykite ir nenaudokite įrankio ir akumulatoriaus kasetės vietoje, kur temperatūra gali pasiekti ar viršyti 50 °C (122 °F).
  - Nedeginkite akumulatoriaus kasetės, net jei yra stipriai pažeista ar visiškai susidėvėjusi. Ugnyje akumulatoriaus kasetė gali sprogti.
  - Akumulatoriaus kasetės nekalkite, nepjaustykite ir nemėtykite ir taip pat į ją netrankykite kietu daiktu. Taip elgiantis, ji gali užsidegti, per daug įkaisti arba sprogti.
  - Nenaudokite pažeisto akumulatoriaus.
  - Įdėtomis ličio jonų akumulatoriams taikomi Pavojingų prekių teisės akto reikalavimai. Komeracinis transportas, pvz., trečiųjų šalių, prekių vežimo atstovų, turi laikytis specialaus reikalavimo ant pakuotės ir ženklavimo. Norėdami paruošti siųstiną prekę, pasitarkite su pavojingų medžiagų specialistu. Be to, laikytis galimai išsamesnių nacionalinių reglamentų. Užklijuokite juosta arba padenkite atvirus kontaktus ir supakuokite akumuliatorių taip, kad ji pakuotėje nejudėtų.
  - Kai išmetate akumulatoriaus kasetę, išimkite ją iš įrankio ir išmeskite saugioje vietoje. Vadovaukitės vietos reglamentais dėl akumuliatorių išmetimo.
  - Baterijas naudokite tik su „Makita“ nurodytais gaminiais. Baterijas įdėjus į netinkamus gaminius gali kilti gaisras, gaminyje pernelyg kaisti, kilti sprogimas arba pratekėti elektrolitas.
  - Jei įrankis bus ilgą laiką nenaudojamas, akumuliatorių būtina išimti iš įrankio.
  - Darbo metu ir po akumulatoriaus kasetės gali būti įkaitusi ir dėl to nudeginti. Imdami akumulatoriaus kasetes, būkite atsargūs.
  - Tuoju pat po naudojimo nelieskite įrankio gnybtu, nes jie gali būti įkaitę tiek, kad nudegins.
  - Neleiskite, kad į akumulatoriaus kasetės gnybtus, angas ir griovelius patektų drožlių, dulkių ar žemių. Dėl to įrankis ar akumulatoriaus kasetė gali imti prastai veikti ar sugesti.
  - Jeigu įrankis nėra pritaikytas naudoti šalia aukštos įtampos elektros linijų, akumulatoriaus kasetės nenaudokite šalia aukštos įtampos elektros linijų. Dėl to gali sutrikti įrankio ar akumulatoriaus kasetės veikimas arba jie gali sugesti.
  - Laikykite akumuliatorių vaikams nepasiekiamoje vietoje.

## SAUGOKITE ŠIAS INSTRUKCIJAS.

**▲ PERSPĖJIMAS:** Naudokite tik originalų „Makita“ akumuliatorių. Neoriginalaus „Makita“ arba pakeisto akumulatoriaus naudojimas gali nulemti gaisrą, asmens sužalojimą ar pažeidimą. Tai taip pat panaikina „Makita“ suteikiamą „Makita“ įrankio ir įkroviklio garantiją.

## Patarimai, ką daryti, kad akumulatorius veiktų kuo ilgiau

- Pakraukite akumulatoriaus kasetę prieš jai visiškai išsikraunant. Visuomet nustokite naudoti įrankį ir pakraukite akumulatoriaus kasetę, kai pastebite, kad įrankio galia sumažėjo.
- Niekada nekraukite iki galo įkrautos akumulatoriaus kasetės. Perkraunant trumpėja akumulatoriaus eksploatacijos laikas.
- Akumulatoriaus kasetę kraukite esant kambario temperatūrai 10 - 40 °C. Prieš pradėdami krauti, leiskite įkaitusiai akumulatoriaus kasetei atvėsti.
- Kai akumulatoriaus kasetės nenaudojate, ją išimkite iš įrankio ar įkroviklio.
- Įkraukite akumulatoriaus kasetę, jei jos nenaudojate ilgą laiką (ilgiau nei šešis mėnesius).

## DALIŲ APRAŠYMAS

### ► Pav.1

1	Gaidukas	2	Fiksavimo mygtukas	3	Lempos jungiklis
4	Lempa	5	Gaiduko fiksavimo mygtukas	6	Greičio režimo keitimo rankenėlė
7	Oro išleidimo dalis	8	Pildymo angos kamštis	9	Lanksti žarna
10	Adapteris	11	Dirželio skylutė	12	Akumulatoriaus kasetė
13	Vamzdis	14	Strypos rankena	15	Žarnos laikiklis
16	Slėgio ribojimo vožtuvas	17	Perpetės diržas	–	–

# VEIKIMO APRAŠYMAS

**▲ PERSPĖJIMAS:** Prieš pradėdami reguliuoti arba tikrinti įrankio veikimą, visuomet būtinai išjunkite įrankį ir išimkite akumuliatoriaus kasetę.

## Akumuliatoriaus kasetės uždėjimas ir nuėmimas

**▲ PERSPĖJIMAS:** Prieš įdėdami arba išimdami akumuliatoriaus kasetę, visada išjunkite įrankį.

**▲ PERSPĖJIMAS:** Įdėdami arba išimdami akumuliatoriaus kasetę, tvirtai laikykite įrankį ir akumuliatoriaus kasetę. Jeigu įrankį ir akumuliatoriaus kasetę laikysite netvirtai, jie gali išslыsti iš jūsų rankų, todėl įrankis ir akumuliatoriaus kasetė gali būti sugadinti, o naudotojas sužalotas.

- **Pav.2:** 1. Raudonas sandariklis (indikatorius)  
2. Mygtukas 3. Akumuliatoriaus kasetė

Jei norite išimti akumuliatoriaus kasetę, ištraukite ją iš įrankio, stumdami mygtuką, esantį kasetės priekyje.

Jei norite įdėti akumuliatoriaus kasetę, sulygiuokite liežuvėlį ant akumuliatoriaus kasetės su grioveliu korpuse ir įstumkite jį įai skirtą vietą. Įdėkite iki galo, kol spragtelėdama užsifiksuos. Jeigu matote raudoną sandariklį (indikatorių) viršutinėje mygtuko pusėje, ji nėra visiškai užfiksuota.

**▲ PERSPĖJIMAS:** Akumuliatoriaus kasetę visada įkiškite iki galo, kol nebematysite raudono sandariklio (indikatoriaus) Priešingu atveju ji gali atsitiktinai iškristi iš įrankio ir sužeisti jus arba aplinkinius.

**▲ PERSPĖJIMAS:** Nekiškite akumuliatoriaus kasetės jėga. Jeigu kasetė sunkiai lenda, ją kiškite netinkamai.

## Įrankio / akumuliatoriaus apsaugos sistema

Įrankyje įrengta įrankio / akumuliatoriaus apsaugos sistema. Ši sistema automatiškai atjungia variklio maitinimą, kad įrankis ir akumuliatoriaus ilgiau veiktų. Įrankis automatiškai išsijungs darbo metu esant vienai iš toliau nurodytų įrankio arba akumuliatoriaus darbo sąlygų:

### Apsauga nuo perkrovos

Kai įrankis / akumuliatorius naudojamas taip, kad neįprastai padidėja elektros srovė, įrankis automatiškai išsijungia be jokių indikatorių įspėjimų. Tokiu atveju atleiskite įrankio gaiduką ir nutraukite darbą, dėl kurio kilo įrankio perkrova. Po to vėl įjunkite įrankį.

### Apsauga nuo perkaitimo

Kai įrankis ar akumuliatorius perkaista, jis automatiškai išsijungia ir pradeda mirksėti lemputė. Esant šiai situacijai, leiskite įrankiui ir akumuliatoriui atvėsti, prieš vėl jungdami įrankį.

### Apsauga nuo visiško išekvojimo

Kai akumuliatoriaus įkrovos lygis nepakankamas, įrankis automatiškai išsijungia. Tokiu atveju ištraukite akumuliatorių iš įrankio ir įkraukite jį.










**PASTABA:** Apsaugos sistemos veikimą lemia aplinkos temperatūra arba tepalo tipas ir būseną.

## Likusios akumuliatoriaus galios rodymas

**Tik akumuliatoriaus kasetėms su indikatoriumi**

- **Pav.3:** 1. Indikatorijų lemputės 2. Tikrinimo mygtukas

Paspauskite akumuliatoriaus kasetės tikrinimo mygtuką, kad būtų rodoma likusi akumuliatoriaus energija. Maždaug trims sekundėms užsidegs indikatorijų lemputės.

Indikatorijų lemputės			Likusi galia
			
Šviečia	Nešviečia	Blyksi	
			75 - 100 %
			50 - 75 %
			25 - 50 %
			0 - 25 %
			Įkraukite akumuliatorių.
			Galimai įvyko akumuliatoriaus veikimo triktis.

**PASTABA:** Rodmuo gali šiek tiek skirtis nuo faktinės energijos lygio – tai priklauso nuo naudojimo sąlygų ir aplinkos temperatūros.

**PASTABA:** Veikiant akumuliatoriaus apsaugos sistemai ims mirksėti pirmoji (toliausiai kairėje) indikatoriaus lemputė.

## Jungiklio veikimas

**▲ PERSPĖJIMAS:** Prieš montuodami akumuliatoriaus kasetę įrankyje, visuomet patikrinkite, ar gaidukas tinkamai veikia ir atleistas grįžta į išjungimo padėtį „OFF“.

**▲ PERSPĖJIMAS:** Kai įrankiu nedirbate, nuspauskite gaiduko fiksavimo mygtuką iš „A“ pusės, kad gaidukas užsifiksuotų į IŠJUNGIMO (OFF) padėtį.

Norint apsaugoti, kad gaidukas nebūtų atsitiktinai nuspaustas, įrengtas gaiduko fiksavimo mygtukas. Norėdami įjungti įrankį, paspauskite gaiduko fiksavimo mygtuką iš „B“ pusės ir paspauskite gaiduką. Stipriau spaudžiant gaiduką, įrankio veikimo greitis didėja. Atleiskite gaiduką, jeigu norite sustabdyti įrankį. Pabaigę darbą, visada nuspauskite gaiduko fiksavimo mygtuką iš „A“ pusės. Jei norite dirbti be pertraukų, paspauskite gaiduką, tada pastumkite fiksavimo mygtuką. Norėdami sustabdyti įrankį, kai gaidukas užfiksuotas, paspauskite gaiduką iki galo, kad atfiksuotumėte.

- **Pav.4:** 1. Gaidukas 2. Fiksavimo mygtukas  
3. Gaiduko fiksavimo mygtukas

## Priekinės lemputės uždegimas

**⚠ PERSPĖJIMAS:** Nežiūrėkite tiesiai į šviesą arba šviesos šaltinį.

Paspauskite lempos jungiklį, kad užsidegtų lemputė. Paspauskite lempos jungiklį dar kartą, kad lemputė būtų išjungta. Kai įrankius nesinaudojama maždaug 60 sekundžių (variklis sustojęs), lemputė užgesa.

► **Pav.5:** 1. Lemputė 2. Lempos jungiklis

**PASTABA:** Purvą nuo lempos objektyvo nuvalykite sausu skudurėliu. Būkite atsargūs, kad nesubraižytumėte lempos objektyvo, nes pablogės apšvietimas.

## Greičio režimo pasirinkimas

**PASTABA:** Greičio režimą keiskite tik įrankiu visiškai sustojus.

Įrankyje yra greičio režimo keitimo rankenėlė. Pasukite rankenėlę tiek, kad ant jos esanti rodyklė būtų nukreipta link vieno iš dviejų toliau nurodytų režimų.

1	<b>Mažo greičio režimas:</b> tepalą tiekite pastoviu mažu greičiu.
2	<b>Aut. greičio režimas:</b> tepkite tepalą srautui kintant automatiškai priklausomai nuo tiekimo vietos slėgio.

► **Pav.6:** 1. Greičio režimo keitimo rankenėlė

## Slėgio ribojimo vožtuvas

Kai įrankio vidinis slėgis pasiekia tam tikrą lygį, per slėgio ribojimo vožtuvą išeina tepalo, kad sumažėtų vidinis slėgis.

► **Pav.7:** 1. Slėgio ribojimo vožtuvas

**⚠ PERSPĖJIMAS:** Tepalui ištekėjus per slėgio ribojimo vožtuvą, sausa šluoste ar panašiu daiktu nuvalykite tepalą. Antraip įrankis gali slidinėti ir sužaloti.

## SURINKIMAS

**⚠ PERSPĖJIMAS:** Prieš darydami ką nors įrankiu visada patikrinkite, ar įrenginys išjungtas, o akumuliatorių kasetė – nuimta.

## Vamzdžio nuėmimas ir uždėjimas

Norėdami nuimti vamzdį, sukite jį kaip parodyta.

► **Pav.8:** 1. Vamzdis

Norėdami įdėti vamzdį, įkiškite jį į įrankį ir įsukite jį atvirkštine tvarka.

► **Pav.9:** 1. Vamzdis

## Strypo rankena

Įdėdami tepalą į vamzdį, patraukite už strypo rankenos.

► **Pav.10:** 1. Strypo rankena 2. Strypas

Norėdami užfiksuoti iki galo patrauktą strypo rankeną, traukite ją, kol pamatysite ant strypo esantį griovelį, tada užkabinkite griovelį už angos. Kai norėsite atfiksuoti strypo rankeną, atkabinkite griovelį, kad strypas pajudėtų į priekį.

► **Pav.11:** 1. Griovelis 2. Anga

**⚠ PERSPĖJIMAS:** Įsitinkinkite, strypo rankena gerai užfiksuota. Antraip ji gali netyčia atsifikuoti ir prispausti.

**PASTABA:** Norėdami patraukti už strypo rankenos, kol į įrankį įdėtas vamzdis, atlaisvinkite oro išleidimo dalies vožtuvą, kad į vamzdį išeitų oras.

## Žarnos laikiklis

Žarnos laikiklį galima sraigtu pritvirtinti bet kurioje įrankio pusėje.

► **Pav.12:** 1. Žarnos laikiklis 2. Sraigtas

## Perpetės diržas

**⚠ ĮSPĖJIMAS:** Niekada nenaudokite diržo angos saugos diržui (diržui). Antraip galima sunkiai susižaloti, kadangi diržo anga neskirta apsaugos nuo kritimo saugos įtaisui.

**⚠ ĮSPĖJIMAS:** Nešdami įrankį, prilaikykite įrankį net ir naudodami perpetės diržą. Įrankis tampa nestabilus, jei jis nešamas naudojant tik perpetės diržą. Perpetės diržas gali nukristi arba įrankis gali atsitrengti į kitus objektus ir sužeisti.

Kaip vaizduojama paveiksle, perpetės diržo kablius užkabinkite už diržo angų fiksatorių.

► **Pav.13:** 1. Perpetės diržas 2. Kablys 3. Fiksatorius

## NAUDOJIMAS

### Tepalo tiekimas

**⚠ ĮSPĖJIMAS:** Būtinai perskaitykite tepalo ir (arba) kitų įrenginių naudojimo instrukcijas bei prireikus pakeiskite šį turinį. Netinkamai laikantis arba nesilaikant instrukcijų galima sugadinti įrankį arba sužaloti.

**PASTABA:** Kai vamzdį naudojate su seno tepalo likučiais, išimkite vamzdį ir pašalinkite seną tepalą pagal tepalo pašalinimo skyrį.



Tepalą galima tiesti šiais būdais:

## Įdedant tepalo kasetę (įsigyjama rinkoje) į vamzdį

**PASTABA:** (Tik A tipo vamzdžiams)

Naudokite tepalo kasetę, kurios kraštą galima užkabinti ant vamzdžio galinio paviršiaus.

**PASTABA:** (Tik B / C tipo vamzdžio)

Naudokite tepalo kasetę, kurios kraštą galima užkabinti vamzdžio vidinėje dalyje.

1. Išimkite vamzdį iš įrankio, tada patraukite strypo rankeną iki galo ir ją užfiksuokite.
2. Nuimkite plastikinį tepalo kasetės dangtelį ir į vamzdį įdėkite tepalo kasetę.  
► **Pav.14:** 1. Tepalo kasetė (įsigyjama rinkoje)  
2. Patraukiamas antgalis
3. Nuimkite patraukiamą antgalį nuo tepalo kasetės, tada įdėkite vamzdį į įrankį.

Jei tarp tepalo kasetės kraštų ir vamzdžio yra tarpas, įsukite vamzdį į įrankį, stumdami vamzdį į priekį.

► **Pav.15**

4. Atleiskite strypo rankeną.  
► **Pav.16**
5. Išstumkite tepalo srauto kelyje likusį orą. (Žr. skyrių apie oro išstūmimą.)

## Vamzdį pripildant tepalo iš taros talpyklos (įsigyjama rinkoje)

1. Iš įrankio išimkite vamzdį.
2. Panardinkite vamzdžio galą į tepalą ir patraukite strypo rankeną. Tepalas pumpuojamas į vamzdį.  
► **Pav.17:** 1. Taros talpykla (įsigyjama rinkoje)
3. Patraukite strypo rankeną iki galo ir užfiksuokite.  
► **Pav.18**
4. Įdėkite vamzdį į įrankį ir užfiksuokite strypo rankeną.
5. Išstumkite tepalo srauto kelyje likusį orą. (Žr. skyrių apie oro išstūmimą.)

**PASTABA:** Kai fiksuojate strypo rankeną, įsitinkinkite, kad ji tvirtai užfiksuota. Kitaip strypo rankena netyčia atsilsavins ir iš vamzdžio ištėkės tepalas.

**PASTABA:** (Tik B / C tipo vamzdžio)

Tepalo turi būti pripildyta žemiau varžto griovelio linijos. Kitaip tepalas liesis per kraštus, kai dėsite vamzdį į įrankį.

► **Pav.19:** 1. Vamzdis (B / C tipo) 2. Varžto griovelis 3. Tepalas

## Vamzdį galite pripildyti tepalo ir pildymo siurbliu (įsigyjama rinkoje), pritvirtintu prie taros talpyklos.

1. Nuimkite pildymo angos kamštį. Prie pildymo angos pritvirtinkite pildymo įtaiso tvirtinimo detalę (įsigyjama rinkoje).
2. Įtvirtinę vamzdį įrankyje, prijunkite pildymo įtaiso tvirtinimo detalę prie pildymo siurblio tvirtinimo detalės.  
► **Pav.20:** 1. Pildymo angos kamštis 2. Pildymo anga 3. Pildymo įtaiso tvirtinimo detalė (įsigyjama rinkoje) 4. Pildymo siurblys (įsigyjamas rinkoje) 5. Tvirtinimo detalė

3. Naudokite pildymo siurbli. Vamzdį užpildžius tepalu bus išstumtas strypo rankenos strypas.

► **Pav.21**

4. Atjunkite pildymo įtaiso tvirtinimo detalę nuo pildymo siurblio tvirtinimo detalės.

5. Išstumkite tepalo srauto kelyje likusį orą. (Žr. skyrių apie oro išstūmimą.)

**▲ĮSPĖJIMAS:** Naudokite tik mažo slėgio pildymo įtaiso tvirtinimo detalę. Niekada nenaudokite aukšto slėgio pildymo įtaiso tvirtinimo detalės, kadangi ji gali sugadinti įrankį ir sužaloti.

**▲PERSPĖJIMAS:** Kai pilate tepalą pildymo siurbliu, tvirtai laikykite įrankį. Įrankis gali nukristi ir sužeisti.

**PASTABA:** Kai ant strypo pamatote griovelį, baikite pildyti tepalą. Kitaip tepalas ištėkės.

## Oro išstūmimas

Tepalo srauto kelyje likus oro, įrankis negalės tiksliai pilti tepalo. Prieš kiekvieną kartą naudodami ir kai įrankis dėl oro veikia netinkamai, išstumkite orą.

1. Norėdami išstumti orą iš įrankio, atlaisvinkite oro išleidimo dalies vožtuvą. Per oro išleidimo dalį išeina oras.
2. Pastebėję, kad per angą išteka tepalo, užsukite vožtuvą.  
► **Pav.22:** 1. Vožtuvas

**▲ĮSPĖJIMAS:** Kai išleidžiate orą, nešiokite apsauginius akinius.

**▲PERSPĖJIMAS:** Nuvalykite iš oro išleidimo dalies išėjusį tepalą sausa šluoste ar panašiu daiktu. Antraip įrankis gali slidinėti ir sužaloti.

## Tepalo tiekimas

Toliau nurodytais atvejais prieš naudodami pašalinkite seną tepalą iš įrankio:

- įrankį naudojate pirmą kartą; arba
- naudojate anksčiau likusį kito tipo tepalą.

Kai vamzdis pripildytas naujo tepalo, leiskite įrankiui kurį laiką paveikti, kol senas tepalas bus išstumtas iš adapterio.

**PASTABA:** Neprijunkite adapterio prie tepalo nipelio, kol nebus pašalintas senas tepalas. Sumaišius skirtingo tipo tepalus, tepalo savybės gali suprastėti.

**PASTABA:** Įrankis buvo išbandytas gamykloje, todėl jame yra nedidelis kiekis tepalo.

Tepalui pašalinti atlikite šią procedūrą.

**▲PERSPĖJIMAS:** Prieš naudodami visuomet patikrinkite greičio režimą.

**PASTABA:** Prieš prijungdami adapterį prie tepalo nipelio, visada įsitinkinkite, kad įrankis tinkamai tiekia tepalą.

**PASTABA:** Nejunkite adapterio prie tepalo nipelio per jėgą.



1. Prieš prijungdami nuvalykite adapterį ir tepalo nipelį. Stumkite adapterį tiesiai ant tepalo nipelio.
2. Norėdami tiekti tepalą, paspauskite gaiduką.  
▶ **Pav.23**
3. Kai baigsite tiekti tepalą, nuimkite adapterį nuo tepalo nipelio. Šiek tiek pakreipkite adapterį, kad sumažintumėte vidinį slėgį, tada nuimkite adapterį nuo tepalo nipelio.

Nuvalykite tepalą nuo adapterio ir tepalo nipelio.

**PASTABA:** Nepalikite veikiančio įrankio, net jei tepalas baigėsi. Dėl to gali sutrumpėti įrankio eksploatavimo laikas.

**PASTABA:** Padidėjus vidiniam slėgiui, kai gaidukas nepaspaustas iki galo, suveikia apsaugos sistema – variklis sustos, net jei įrankis nebus pasiekęs didžiausio darbinio slėgio. Purkšdami tepalą dideliu slėgiu, iki galo paspauskite gaiduką.

**PASTABA:** Įrankio nenaudojant ilgiau nei 6 minutes, jis sustoja automatiškai.

## TECHINĖ PRIEŽIŪRA

**▲ PERSPĖJIMAS:** Visuomet įsitikinkite, ar įrankis yra išjungtas ir akumulatoriaus kasetė yra nuimta prieš atlikdami apžiūrą ir priežiūrą.

**PASTABA:** Niekada nenaudokite gazolino, benzino, tirpiklio, spirito arba panašių medžiagų. Gali atsirasti išblukimų, deformacijų arba įtrūkimų.

Kad gaminyt būtų SAUGUS ir PATIKIMAS, jį taisyti, apžiūrėti ar vykdyti bet kokią kitą priežiūrą ar derinimą turi įgaliojatus kompanijos „Makita“ techninės priežiūros centras; reikia naudoti tik kompanijos „Makita“ pagamintą atsarginę dalis.

### Tepalo šalinimas

Padėdami įrankį saugoti arba naudodami vamzdį, kuriame yra tepalo, išimkite vamzdį ir pašalinkite seną tepalą atlikdami toliau nurodytus veiksmus.

1. Atlaisvinkite oro išleidimo dalies vožtuvą.
2. Patraukite strypo rankeną iki galo ir užfiksukite.
3. Iš įrankio išimkite vamzdį.
4. Atfiksukite strypo rankeną. Laikykite už strypo rankenos ir lėtai stumkite ją į priekį, kad iš vamzdžio išeitų tepalas.

**▲ PERSPĖJIMAS:** Neatleiskite strypo rankenos. Antraip tepalas greitai ištryškš.

**PASTABA:** Pašalinkite dulkes iš vamzdžio. Dulės gali užkimšti įrankį.

**PASTABA:** Valykite vamzdžio vidų kas tris mėnesius.

## PASIRENKAMI PRIEDAI

**▲ PERSPĖJIMAS:** Šiuos papildomus priedus arba įtaisus rekomenduojama naudoti su šioje instrukcijoje nurodytu „Makita“ bendrovės įrankiu. Naudojant bet kokius kitus papildomus priedus arba įtaisus, gali kilti pavojus sužeisti žmones. Naudokite tik nurodytą tikslui skirtus papildomus priedus arba įtaisus.

Jeigu norite daugiau sužinoti apie tuos priedus, kreipkitės į artimiausią „Makita“ techninės priežiūros centrą.

- Adapteris
- Lanksti žarna
- Vamzdis
- Kasetės vamzdis
- Perpetės diržas
- Užfiksavimo adapteris
- Kampinis adapteris
- Originalus „Makita“ akumulatorius ir įkroviklis

**PASTABA:** Kai kurie sąraše esantys priedai gali būti pateikti įrankio pakuotėje kaip standartiniai priedai. Jie įvairiose šalyse gali skirtis.

### Adapterio pakeitimas

Dviem veržliarakčiais atlaisvinkite ir išimkite seną adapterį (kaip parodyta), tada patikimai užveržkite naują adapterį.

▶ **Pav.24**

**PASTABA:** Jeigu tepalas teka iš jungties tarp žarnos ir adapterio, prieš jungdami adapterį apvyniokite sriegio sandarinimo juosta aplink žarnos srieginę dalį.

### Lanksčios žarnos pakeitimas

Veržliarakčiu atlaisvinkite ir išimkite seną lanksčią žarną (kaip parodyta), tada patikimai užveržkite naują lanksčią žarną.

▶ **Pav.25**

**▲ PERSPĖJIMAS:** Tuo pačiu metu pakeiskite prie naujos lanksčios žarnos jungiamosios dalies pritvirtintą guminį žiedą. Jeigu pakeisite lanksčią žarną be guminio žiedo arba su senu guminiu žiedu, gali tekėti tepalas ir sukelti sužalojimą.

### Vamzdžio pakeitimas

**PASTABA:** Kiekvienoje šalyje vamzdžio tipas skiriasi.

**PASTABA:** Norint pritvirtinti kito tipo vamzdį, priklausomai nuo vamzdžio tipo reikalingos toliau apibūdintos papildomos dalys.

### Vamzdžio pakeitimas iš A į B / C tipą

1. Išimkite A tipo vamzdį.
2. Išsukite varžtą ir įvorę.  
▶ **Pav.26:** 1. Įvorė 2. Sraigtas
3. Įkiškite jungtį su guminiu tarpikliu – sulygiuokite antgalį su grioveliu ant tvirtinimo dalies ir užfiksukite sraigtais.
4. Įdėkite B / C tipo vamzdį.  
▶ **Pav.27:** 1. Jungtis 2. Guminis tarpiklis 3. Auselė 4. Griovelis 5. Sraigtas

## Vamzdžio pakeitimas iš B / C tipo į A tipą

1. Išimkite B / C tipo vamzdį.
2. Atsukite ir išimkite jungtį.  
► **Pav.28:** 1. Jungtis 2. Guminis tarpiklis 3. Sraigtas
3. Įkiškite įvorę į įrankio korpusą ir užfiksukite ją sraigtu.
4. Įdėkite A tipo vamzdį.  
► **Pav.29:** 1. Įvorė 2. Sraigtas

### Kasetės vamzdis

Per kasetės vamzdžio skylutę galite matyti tepalo kasetę.

► **Pav.30**

Kai naudojate kasetės vamzdį, perkelkite stūmoklio dalis iš atitinkamo vamzdžio į kasetės vamzdį.

► **Pav.31:** 1. Stūmoklio dalys 2. Kasetės vamzdis

Jeigu sunku ištraukti strypo rankeną, atlikite toliau nurodytus veiksmus.

1. Įstatykite tuščią tepalo kasetę į vamzdį.  
► **Pav.32:** 1. Tuščia tepalo kasetė
2. Patraukite strypo rankeną ir užfiksukite.  
► **Pav.33**
3. Išimkite tuščią tepalo kasetę iš vamzdžio.

### Užfiksavimo adapteris

**⚠ PERSPĖJIMAS:** Būkite atsargūs, kad neprispaustumėte piršto užfiksavimo adapteryje.

**⚠ PERSPĖJIMAS:** Nešiokite apsauginius akinius. Kai nuo tepalo nipelio nuimate adapterio fiksa-torių, tepalas gali išsiveržti iš įrankio ir sužaloti.

Kai prie tepalo nipelio prijungiate užfiksavimo adapterį, užstumkite užfiksavimo adapterį tiesiai ant tepalo nipelio, traukdami užfiksavimo adapterio svirtelę ir po to ją atleisdami.

► **Pav.34:** 1. Svirtis 2. Užfiksavimo adapteris

Norėdami surinkti užfiksavimo adapterį, žr. adapterio keitimo skyrelį.

### Kampinis adapteris

Kai tvirtinate kampinį adapterį, stumkite įrankio adapterį tiesiai ant kampinio adapterio.

► **Pav.35:** 1. Kampinis adapteris

## TEHNILISED ANDMED

Mudel:		DGP180
Nimipinge		Alalisvool 18 V
Määrdevõimsus (A-tüüpi trumliga)	Kartonghülss	410 g
	Puistematerjal	455 g
Määrdevõimsus (B-tüüpi trumliga)	Kartonghülss	450 g
	Puistematerjal	570 g
Maksimaalne töö rõhk		69 MPa
Maksimaalne voolukiirus	Aeglase kiiruse režiim	145 ml/min
	Automaatse kiiruse režiim	290 ml/min
Kohaldatav määride tüüp		NLGI nr 0 – nr 2
Vooliku pikkus		1 200 mm
Üldpikkus	A-tüüpi trumliga	411 mm
	B-tüüpi trumliga	449 mm
Netokaal		4,8–6,1 kg

**MÄRKUS:** Trumli tüüp (A- või B-tüüp) erineb olenevalt riigist.

- Meie pideva uuringu- ja arendusprogrammi tõttu võidakse tehnilisi andmeid muuta ilma sellest ette teatamata.
- Tehnilised andmed ja akukassett võivad riigiti erineda.
- Kaal võib erineda olenevalt lisaseadistest, kaasa arvatud akukassetist. Kergeim ja raskeim kombinatsioon EPTA-protseduuri 01/2014 kohaselt on toodud tabelis.

### Sobiv akukassett ja laadija

Akukassett	BL1815N / BL1820B / BL1830B / BL1840B / BL1850B / BL1860B
Laadija	DC18RC / DC18RD / DC18RE / DC18SD / DC18SE / DC18SF / DC18SH

- Mõned eespool loetletud akukassetid ja -laadijad ei pruugi olla teie riigis saadaval.

**⚠ HOIATUS:** Kasutage ainult ülalpool loetletud akukasseid ja laadijaid. Muude akukassetide ja laadijate kasutamine võib tekitada vigastusi ja/või tulekahju.

### Kavandatud kasutus

Antud seade on mõeldud määrdeaine väljastamiseks.

### Müra

Tüüpiline A-korrigeeritud müratase, määratud standardi EN62841-1 kohaselt:

Helirõhutase ( $L_{pA}$ ): 76 dB (A)

Määramatus (K): 3 dB (A)

**MÄRKUS:** Deklareeritud müra väärtust (väärtuseid) on mõdetud kooskõlas standardse katsemeetodiga ning seda võib kasutada ühe seadme võrdlemiseks teisega.

**MÄRKUS:** Deklareeritud müra väärtust (väärtuseid) võib kasutada ka mürataseme esmaseks hindamiseks.

**⚠ HOIATUS:** Kasutage kõrvakaitsmeid.

**⚠ HOIATUS:** Müratase võib elektritööriista tegelikkuses kasutamise ajal erineda deklareeritud väärtus(t)est olenevalt tööriista kasutusviisidest ja eriti töödeldavast toorikust.

**⚠ HOIATUS:** Rakendage operaatori kaitsmiseks kindlasti piisavaid ohutusabinõusid, mis põhinevad hinnangulisel müratasemel tegelikus tööolukorras (võttes arvesse tööperioodi kõiki osasid, näiteks korrad, kui seade lülitatakse välja ja seade töötab tühikäigul, lisaks tööajale).

## Vibratsioon

Vibratsiooni koguväärtus (kolmeteljeliste vektorite summa) määratud standardi EN62841-1 kohaselt: Vibratsiooniheid ( $a_w$ ): 2,5 m/s<sup>2</sup> või vähem  
Määramatus (K): 1,5 m/s<sup>2</sup>

**MÄRKUS:** Deklareeritud vibratsiooni koguväärtust (-väärtuseid) on mõõdetud kooskõlas standardse katsemeetodiga ning seda võib kasutada ühe seadme võrdlemiseks teisega.

**MÄRKUS:** Deklareeritud vibratsiooni koguväärtust (-väärtuseid) võib kasutada ka mürataseme esmaseks hindamiseks.

**⚠️HOIATUS:** Vibratsioonitase võib elektritööriista tegelikkuses kasutamise ajal erineda deklareeritud väärtus(t)est olenevalt tööriista kasutusviisidest ja eriti töödeldavast toorikust.

**⚠️HOIATUS:** Rakendage operaatori kaitsmiseks kindlasti piisavaid ohutusabinõusid, mis põhinevad hinnangulisel müratasemel tegelikus tööolukorras (võttes arvesse tööperioodi kõiki osasid, näiteks korrad, kui seade lülitatakse välja ja seade töötab tühikäigul, lisaks tööajale).

## EÜ vastavusdeklaratsioon

*Ainult Euroopa riikide puhul*

EÜ vastavusdeklaratsioon sisaldub käesoleva juhendi Lisas A.

## OHUTUSHOIATUSED

### Üldised elektritööriistade ohutushoiatused

**⚠️HOIATUS:** Lugege läbi kõik selle elektritööriistaga kaasas olevad ohutushoiatused, juhised, joonised ja tehnilised andmed. Järgnevate juhiste eiramine võib põhjustada elektrilöögi, süttimise ja/või raske kehavigastuse.

### Hoidke edaspidisteks viide- teks alles kõik hoiatused ja juhtnöörid.

Hoiatustes kasutatud termini „elektritööriist“ all peetakse silmas elektriga töötavaid (juhtmega) elektritööriistu või akuga töötavaid (juhtmeta) elektritööriistu.

### Juhtmevaba määrdepritsi ohutushoiatused

1. Hoidke tööriistast kindlalt kinni.
2. Ärge kasutage tööriista leegi läheduses. Määrdeaine võib olla süttiv.
3. Kasutage ainult käesolevates tehnilistes andmetes esitatud nõuetele vastavat määrdeainet. Teist tüüpi määrdeaine või muude materjalide kui määrde sisestamine võib põhjustada tõrkeid.

4. Ärge sisestage muid materjale peale määrdeaine, näiteks õli. See võib tööriistast välja pritsida ja silma sattuda.
5. Ärge hoidke tööriista kandes kinni painduvast voolikutest või kolvivarda käepidemest.
6. Kandke tööriista kasutamisel kaitseprille.
7. Kontrollige painduvat voolikut enne iga kasutamiskorda. Ärge kasutage voolikut, kui see on kõver või kahjustatud. Voolik võib suure rõhu all puruneda ja määre võib sattuda silma.
8. Veenduge, et varras oleks kindlalt kinnitatud. Varras võib kogemata liikuda ja põhjustada muljumist.
9. Enne kasutamist lugege ja järgige määrdeaine tootja juhiseid.
10. Hoidke käed ja riided vardast ja selle käepideme ümbrusest eemal. Vastasel korral võivad sõrmed või riided sinna vahele kinni jääda.
11. Pühkige tööriista külge jäänud määre ära. Vastasel juhul võib see põhjustada libisemist ja lõppeda vigastustega.
12. Ärge painutage elastset voolikut jõuga ega astuge selle peale. See võib põhjustada vooliku purunemise või deformeerumise.
13. Ärge suunake adapterit läheduses olevate inimeste poole.
14. Kasutage ainult Makita poolt soovitatud elastset voolikut. Muu vooliku kasutamine võib tekitada vigastusi.

## HOIDKE JUHEND ALLES.

### Akukassetiga seotud olulised ohutushoiatused

1. Enne akukassetti kasutamist lugege (1) akulaadimise, (2) akul ja (3) seadmel olevad juhtnöörid ja hoiatused läbi.
2. Ärge võtke akukassetti lahti ega muutke seda. See võib põhjustada tulekahju, liigset kuumust või plahvatusi.
3. Kui tööaeg järsult lüheneb, siis lõpetage kohe kasutamine. Edasise kasutamise tulemuseks võib olla ülekuumenemisoht, võimalikud põletused või isegi plahvatus.
4. Kui elektrolüüti satub silma, siis loputage silma puhta veega ja pöörduge koheselt arsti poole. Selline õnnetus võib põhjustada pimedaksjäämist.
5. Ärge tekitage akukassetis lühisid:
  - (1) Ärge puutuge klemme elektrijuhtidega.
  - (2) Ärge hoidke akukassetti tööriistakasti koos metallsemetega, nagu naelad, mündid jne.
  - (3) Ärge tehke akukassetti märjaks ega jätke seda vihma kätte.Aku lühis võib põhjustada tugevat elektrivoolu, ülekuumenemist, põletusi ning ka seedet tõsiselt kahjustada.
6. Ärge hoidke ega kasutage tööriista ja akukassetti kohtades, kus temperatuur võib tõusta üle 50 °C (122 °F).

7. Ärge põletage akukasseti isegi siis, kui see on saanud tõsiselt vigastada või on täiesti kuldunud. Akukassetit võib tules plahvatada.
8. Ärge naelutage, löigake, muljuge, visake akukasseti ega laske sel kukkuda, samuti ärge lööge sellele pihntõrje esemega. Selline tegevus võib põhjustada tulekahju, liigset kuumust või plahvatust.
9. Ärge kasutage kahjustatud akut.
10. Sisalduvatele liitium-ioonakudele võivad kohalduda ohtlike kaupade õigusaktide nõuded.  
Kaubanduslikul transportimisel, näiteks kolmandate poolte või transpordiettevõtete poolt, tuleb järgida pakendil ja siltidel toodud erinõudeid. Transportimiseks ettevalmistamisel on vajalik pidada nõu ohtliku materjali eksperdiga. Samuti tuleb järgida võimalike riiklike regulatsioonide üksikasjalikumaid nõudeid.  
Katke teibiga või varjake avatud kontaktid ja pakendage aku selliselt, et see ei saaks pakendis liikuda.
11. Kasutuskõlbmatuks muutunud akukasseti kõrvaldamiseks eemaldage see tööriistast ja viige selleks ette nähtud kohta. Järgige kasutuskõlbmatuks muutunud aku kõrvaldamisel kohalikke eeskirju.
12. Kasutage akusid ainult Makita heaks kiidetud toodetega. Akude paigaldamine selleks mitte ettenähtud toodetele võib põhjustada süttimist, ülemäärast kuumust, plahvatamist või elektrilöödi lekkimist.
13. Kui tööriista ei kasutata pika ajaperioodi jooksul, tuleb aku tööriistast eemaldada.
14. Kasutamise ajal ja pärast kasutamist võib akukassetit kuumeneda, mis võib põhjustada põletusi või madala temperatuuri põletusi. Olge kuuma akukasseti kandmisel ettevaatlik.
15. Ärge puudutage tööriista klemmi kohe pärast kasutamist, sest see võib olla kuum ja põhjustada põletusi.
16. Hoidke akukasseti klemmid, avad ja sooned tükikestest, tolmust ja mullast puhtad. Muidu võib tööriist või akukassetit halvasti töötada või puruneda.
17. Kui tööriist ei kannata kasutamist kõrgepingeliinide lähedal, ärge kasutage akukassetit kõrgepingeliinide lähedal. Muidu võib tööriist või akukassetit puruneda või sellel tõrge tekkida.
18. Hoidke akut lastele kättesaamatult.

## HOIDKE JUHEND ALLES.

**⚠ETTEVAATUST:** Kasutage ainult Makita originaalakusid. Mitte Makita originaalakude või muudetud akude kasutamine võib põhjustada akude süttimise, kehavigastuse ja kahjustuse. Samuti muudab see kehtetuks Makita tööriista ja laadija Makita garantii.

## Vihjeid aku maksimaalse kasutaja tagamise kohta

1. Laadige akukasseti enne selle täielikku tühjenemist. Kui märkate, et tööriist töötab väiksema võimsusega, peatage töö ja laadige akukasseti.
2. Ärge laadige täielikult laetud akukasseti. Ülelaadimine lühendab akude kasutusiga.
3. Laadige akukasseti toatemperatuuril 10 °C - 40 °C. Enne laadimist laske kuumenenud akukassetil maha jahtuda.
4. Kui te ei kasuta parajasti akukasseti, eemaldage see tööriistast või laadurist.
5. Kui te ei kasuta akukasseti kauem kui kuus kuud, laadige see.

## OSADE KIRJELDUS

### ► Joon.1

1	Lüliti päästik	2	Lukustusnupp	3	Lambi lüliti
4	Lamp	5	Päästikuluk nupp	6	Kiiruserežiimi muutmise nupp
7	Õhu äravooluklapp	8	Täiteavakork	9	Elastne voolik
10	Adapter	11	Rihmaaak	12	Akukasset
13	Trummel	14	Kolvivarda käepide	15	Voolikuhoidik
16	Survekaitseklapp	17	Õlarihm	-	-

# FUNKSIONAALNE KIRJELDUS

**⚠ETTEVAATUST:** Kandke alati hoolt selle eest, et tööriist oleks enne reguleerimist ja kontrollimist välja lülitatud ja akukassett eemaldatud.

## Akukasseti paigaldamine või eemaldamine

**⚠ETTEVAATUST:** Lülitage tööriist alati enne akukasseti paigaldamist või eemaldamist välja.

**⚠ETTEVAATUST:** Akukasseti paigaldamisel või eemaldamisel tuleb tööriista ja akukassetti kindlalt paigal hoida. Kui tööriista ja akukassetti ei hoita kindlalt paigal, võivad need käest libiseda ning kahjustada tööriista ja akukassetti või põhjustada kehavigastusi.

► **Joon.2:** 1. Punane näidik 2. Nupp 3. Akukassett

Akukasseti eemaldamiseks libistage see tööriista küljest lahti, vajutades kasseti esiküljel paiknevat nuppu alla.

Akukasseti paigaldamiseks joondage akukasseti keel korpuse soonega ja libistage kassett oma kohale. Paigaldage akuadapter alati nii kaugele, et see lukustuks klõpsatusega oma kohale. Kui näete nupu ülaosas punast osa, pole kassett täielikult lukustunud.

**⚠ETTEVAATUST:** Paigaldage akukassett alati täies ulatuses nii, et punast osa ei jääks näha. Muidu võib adapter juhuslikult tööriistast välja kukkuda ning põhjustada teile või läheduses viibivatele isikutele vigastusi.

**⚠ETTEVAATUST:** Ärge rakendage akukasseti paigaldamisel jõudu. Kui kassett ei lähe kergesti sisse, pole see õigesti paigaldatud.

## Tööriista/aku kaitsesüsteem

Tööriist on varustatud tööriista või aku kaitsesüsteemiga. Süsteem lülitab mootori automaatselt välja, et pikendada tööriista ja aku tööiga. Tööriist seiskub käitamise ajal automaatselt, kui tööriista või aku kohta kehtib üks järgmistest tingimustest.

## Ülekoormuskaitse

Kui tööriista/aku kasutamise käigus hakkab see tarbima ebaharilikult palju voolu, peatub tööriist automaatselt ilma igasuguse signaalita. Sellisel juhul lülitage tööriist välja ja lõpetage tööriista ülekoormuse põhjustanud kasutus. Pärast seda käivitage tööriist uuesti.

## Ülekuumenemiskaitse

Kui tööriist või aku on ülekuumenenud, peatub tööriist automaatselt ja lamp vilgub. Sellisel juhul laske tööriistal ja akul maha jahtuda, enne kui tööriista uuesti sisse lülitate.

## Ülelaadimiskaitse

Kui aku laetuse tase ei ole piisav, seiskub tööriist automaatselt. Sellisel juhul eemaldage aku seadmest ja laadige täis.
















**MÄRKUS:** Kaitsesüsteem võib hakata tööle sõltuvalt ümbritseva keskkonna temperatuurist või määrdeaine tüübist ja seisundist.

## Aku jääkmahutavuse näit

**Ainult näidikuga akukassettidele**

► **Joon.3:** 1. Märgulambid 2. Kontrollimise nupp

Akukasseti järelejäänud mahutavuse kontrollimiseks vajutage kontrollimise nuppu. Märgulambid süttivad mõneks sekundiks.

Märgulambid			Jääkmahutavus
 Pöleb	 Ei põle	 Vilgub	
			75 - 100%
			50 - 75%
			25 - 50%
			0 - 25%
			Laadige akut.
			Akul võib olla tõrge.

**MÄRKUS:** Näidatud mahutavus võib veidi erineda tegelikust mahutavusest olenevalt kasutustingimustest ja ümbritseva keskkonna temperatuurist.

**MÄRKUS:** Esimene (taga vasakul asuv) märgutuli vilgub, kui akukaitsesüsteem töötab.

## Lüliti töötamine

**⚠ETTEVAATUST:** Kontrollige alati enne akukasseti tööriista külge paigaldamist, kas lüliti päästik funktsioneerib nõuetekohaselt ja liigub lahtilaskmisel tagasi väljalülitatud asendisse.

**⚠ETTEVAATUST:** Kui te tööriista parajasti ei kasuta, vajutage päästikuluku nuppu A-poleelt, et lukustada lüliti päästik väljalülitatud asendisse.

Selleks et lüliti päästikut poleks võimalik juhuslikult vajutada, on tööriistal päästikuluku nupp. Tööriista käivitamiseks vajutage päästikuluku nuppu B-poleelt ning vajutage lüliti päästikut. Tööriista kiirus kasvab, kui suurendate survet lüliti päästikule. Vabastage seiskamiseks lüliti päästik. Pärast kasutamist vajutage alati päästikuluku nuppu A-poleelt sisse.

Kestva töötamise korral vajutage lüliti päästikut ja suruge seejärel lukustusnuppu sisse. Lukustatud tööriista seiskamiseks tõmmake lüliti päästik lõpuni ja seejärel avage see.

► **Joon.4:** 1. Lüliti päästik 2. Lukustusnupp  
3. Päästikuluku nupp

## Eesmise lambi süütamine

**⚠ETTEVAATUST:** Ärge vaadake otse valgusse ega valgusalikkat.

Lambi sisselülitamiseks vajutage lambi lüliti. Lambi väljalülitamiseks vajutage taas lambi lüliti. Kui tööriista umbes 60 sekundi jooksul ei kasutata ja mootor on seisatud, siis tuli kustub.

► **Joon.5:** 1. Lamp 2. Lambi lülit

**TÄHELEPANU:** Pühkige lamp kuiva lapiga puhtaks. Olge seda tehes ettevaatlik, et lambi läätse mitte kriimustada, sest muidu võib valgustus väheneda.

## Kiiruserežiimi valimine

**TÄHELEPANU:** Muutke kiiruserežiimi alles pärast tööriista täielikku seiskumist.

Antud tööriist on varustatud kiiruserežiimi muutmise nupuga. Keerake nuppu nii, et nupul olev nool osutaks ühele allolevatest režiimidest.

1	<b>Aeglase kiiruse režiim:</b> väljastab määret pideval aeglasel kiirusel.
2	<b>Automaatse kiiruse režiim:</b> väljastab määret, muutes voolukiirust automaatselt vastavalt sihtkoha rõhule.

► **Joon.6:** 1. Kiiruserežiimi muutmise nupp

## Survekaitseklapp

Kui tööriista siserõhk ületab teatud taseme, väljub määre sisemise rõhu vähendamiseks survekaitseklapist.

► **Joon.7:** 1. Survekaitseklapp

**⚠ETTEVAATUST:** Kui survekaitseklapist väljub määret, pühkige see ära kuiva lapi või muu sarnasega. Vastasel juhul võib see põhjustada libisemist ja lõppeda vigastustega.

## KOKKUPANEK

**⚠ETTEVAATUST:** Kandke alati hoolt selle eest, et tööriist oleks enne igasuguseid hooldustöid välja lülitatud ja akukassett eemaldatud.

## Trumli eemaldamine või paigaldamine

Trumli eemaldamiseks keerake seda vastavalt joonisele.

► **Joon.8:** 1. Trummel

Trumli paigaldamiseks sisestage see tööriista ja keerake seejärel tagurpidi suunas.

► **Joon.9:** 1. Trummel

## Kolvivarda käepide

Tõmmake määre sisestamisel trumli kolvivarda käepidemest.

► **Joon.10:** 1. Kolvivarda käepide 2. Varras

Kolvivarda käepideme täielikuks lukustamiseks tõmmake käepidet, kuni varda soon on nähtav, ja seejärel kinnitage soon pesa peale. Kolvivarda käepideme avamiseks eemaldage soon nii, et kolvivarras liiguks ettepoole.

► **Joon.11:** 1. Soon 2. Pesa

**⚠ETTEVAATUST:** Veenduge, et kolvivarda käepide oleks kindlalt lukustatud. Vastasel juhul võib see kogemata avaneda ja põhjustada muljumist.

**MÄRKUS:** Kolvivarda käepideme tõmbamiseks ajal, kui trummel on tööriista sisse paigaldatud, vabastage õhu äravooluklapp, et õhk siseneks trumli.

## Voolikuhoidik

Voolikuhoidiku saab kruviga tööriista mõlemale küljele kinnitada.

► **Joon.12:** 1. Voolikuhoidik 2. Kruvi

## Ölarihm

**⚠HOIATUS:** Ärge kunagi kasutage rihma-aku kinnitusrihma (kinnitusosaga) jaoks. See võib põhjustada tõsiseid vigastusi, sest rihma-aku ei ole ette nähtud kukkumise vältimiseks mõeldud ohutusseadisele.

**⚠HOIATUS:** Hoidke tööriista kandmisel tööriistast kinni isegi siis, kui kasutate ölarihma. Ärge kasutage tööriista kandmiseks ainult ölarihma, sest see muudab selle ebastabiilseks. Ölarihm võib tulla küljest või tööriist võib pörkuda vastu teisi objekte ja põhjustada vigastusi.

Kinnitage ölarihma konksud joonisel näidatud viisil rihma-akude kinnituste külge.

► **Joon.13:** 1. Ölarihm 2. Konks 3. Kinnitus

## TÖÖRIISTA KASUTAMINE

### Määrdeainega täitmine

**⚠HOIATUS:** Lugege kindlasti määre ja/või muude seadete kasutusjuhendeid ning asendage vajadusel järgmine sisu. Juhiste väärkasutus või eiramine võib tööriista kahjustada või põhjustada vigastusi.

**TÄHELEPANU:** Vana määre jääkidega trumli kasutamisel eemaldage trummel ja puhastage see vanast määrdeainest vastavalt jaotisele „Määrdeainest puhastamine“.

Määrde sisestamiseks on järgmised võimalused:

## Määrdekasseti paigaldamine (kauplusest ostetud) trumlisse

**TÄHELEPANU:** (Ainult A-tüüpi trumli puhul)

Kasutage määrdekassetti, mille ääre saab kinnitada trumli otsa pinna külge.

**TÄHELEPANU:** (Ainult B-tüüpi/C-tüüpi trummel)

Kasutage määrdekassetti, mille ääre saab kinnitada trumli sisemise astme külge.

1. Eemaldage trummel tööriistast, seejärel tõmmake kolvivarda käepide täielikult välja ja lukustage see.

2. Eemaldage määrdekasseti plastkork ja sisestage määrdekassett trumlisse.

▶ **Joon.14:** 1. Määrdekassett (kauplusest ostetud)  
2. Tõmbesakk

3. Eemaldage määrdekasseti tõmbesakk ja sisestage trummel tööriista sisse.

Kui määrdekasseti ääre ja trumli vahel on vahe, krüvige trummel tööriista sisse, lükates samal ajal trumlit edasi.

▶ **Joon.15**

4. Vabastage kolvivarda käepide.

▶ **Joon.16**

5. Eemaldage õhk, mis jääb määrde vooluteele. (Vt jaotist „Õhu väljutamine“.)

## Trumli määrdega täitmine määrdemahutist (kauplusest ostetud)

1. Eemaldage trummel tööriistast.

2. Kastke trumli ots määrdeaine sisse ja tõmmake seejärel kolvivarda käepidemest. Määre pumbatakse trumlisse.

▶ **Joon.17:** 1. Määrdemahuti (kauplusest ostetud)

3. Tõmmake kolvivarda käepide täielikult välja ja lukustage.

▶ **Joon.18**

4. Kinnitage trummel tööriista külge ja seejärel avage kolvivarda käepide.

5. Eemaldage õhk, mis jääb määrde vooluteele. (Vt jaotist „Õhu väljutamine“.)

**TÄHELEPANU:** Veenduge kolvivarda käepideme lukustamisel, et kolvivarda käepide oleks kindlalt lukustatud. Muidu võib kolvivarda käepide juhuslikult avaneda ja määre trumlist välja voolata.

**MÄRKUS:** (Ainult B-tüüpi/C-tüüpi trummel)

Määrdeaine kogus peab jääma kruvi keerme alla. Muidu hakkab tööriistale trumli paigaldamisel määre üle voolama.

▶ **Joon.19:** 1. Trummel (B-tüüpi/C-tüüpi) 2. Kruvi keere 3. Määrimine

**Samuti saate trumlit määrdega täita täitepumba (kauplusest ostetud) abil, mis on kinnitatud mahuti-konteineri külge.**

1. Eemaldage täiteavakork. Kinnitage laadimiseseade (kauplusest ostetud) täiteava külge.

2. Kui trummel on paigaldatud tööriista külge, ühendage laadimiseseade täitepumba ühendusosaga.

▶ **Joon.20:** 1. Täiteavakork 2. Täiteava  
3. Laadimiseseade (kauplusest ostetud)  
4. Täitepump (kauplusest ostetud)  
5. Ühendusosa

3. Kasutage täitepumba. Kolvivarda käepideme varras lükatakse välja ja samaaegselt täidetakse trummel määrdega.

▶ **Joon.21**

4. Eemaldage laadimiseseade täitepumba ühendusosast.

5. Eemaldage õhk, mis jääb määrde vooluteele. (Vt jaotist „Õhu väljutamine“.)

**⚠HOIATUS:** Kasutage ainult madalrõhu laadimiseseadet. Ärge kunagi kasutage kõrgsurvega laadimiseseadet, muidu võib see tööriista kahjustada ja põhjustada vigastusi.

**⚠ETTEVAATUST:** Hoidke tööriista täitepumba määrde lisamisel kindlalt kinni. Tööriist võib kukkuda ja vigastusi põhjustada.

**TÄHELEPANU:** Lõpetage määrde lisamine, kui näete vardal keeret. Muidu võib määre lekkima hakata.

## Õhu väljutamine

Kui määrde vooluteele jääb õhku, ei saa tööriist märet täpselt väljutada. Eemaldage õhk enne iga kasutamiskorda ja ka siis, kui tööriist tundub õhu tõttu valesiti töötavat.

1. Õhu väljutamiseks tööriistast, vabastage õhu äravooluklapp. Õhu väljavooluavast väljub õhk.

2. Kinnitage klapp, kui näete, et avast väljub märet.

▶ **Joon.22:** 1. Klapp

**⚠HOIATUS:** Kandke õhu väljalaskmisel kaitseprille.

**⚠ETTEVAATUST:** Pühkige ära määre, mis on õhu väljavooluavast väljunud, kuiva lapi või muu sarnasega. Vastasel juhul võib see põhjustada libisemist ja lõppeda vigastustega.

## Määrimine

Järgmistel juhtudel puhastage tööriist enne kasutamist vanast määrdeainest:

- tööriista esmakordsel kasutamisel või
- kui kasutate määrdeainet, mis erineb eelnevalt kasutatud määrdeaine tüübist.

Kui uus määre on trumlisse sisestatud, käivitage tööriist mõneks ajaks, kuni vana määre on adapterist välja surutud.

**TÄHELEPANU:** Ärge ühendage adapterit määrdenipliga enne, kui vana määrdeaine on eemaldatud. Erinevate määrde segunemisel võib määrdeaine jõudlus väheneda.

**MÄRKUS:** Tööriista on tehases testitud ja seetõttu on tööriistas väike kogus märet.



Määrdeaine väljutamiseks tehke järgnevat.

**⚠ETTEVAATUST:** Enne töö alustamist kontrollige alati kiiruserežiimi.

**TÄHELEPANU:** Enne adapteri ühendamist määrdenipliga veenduge alati, et tööriist väljutaks määreret nõuetekohaselt.

**TÄHELEPANU:** Ärge kasutage adapteri määrdenipliga ühendamisel jõudu.

1. Enne ühendamist pühkige adapterit ja määrdenipli puhta lapiga. Lükake adapter otse määrdeniplile.

2. Määrde väljutamiseks tõmmake lüliti päästikut.

► Joon.23

3. Kui olete määrimistoimingu lõpetanud, eemaldage adapter määrdeniplist. Sisemise rõhu vabastamiseks kallutage adapterit veidi ja eemaldage seejärel adapter määrdeniplist.

Pühkige määrdeaine adapteri ja määrdenipli küljest.

**TÄHELEPANU:** Ärge jätke tööriista tööle isegi pärast määrde otsa saamist. See vähendab seadme tööiga.

**MÄRKUS:** Kui siserõhk tõuseb ja lüliti päästik pole täielikult välja tõmmatud, käivitub kaitsesüsteem ja mootor peatub, isegi kui tööriist ei saavutanud maksimaalset töörohku. Määrde kõrgel rõhul väljutamisel tõmmake lüliti päästik täielikult välja.

**MÄRKUS:** Tööriist peatub automaatselt, kui tööriist töötab kauem kui 6 minutit.

## HOOLDUS

**⚠ETTEVAATUST:** Enne kontroll- või hooldustoimingute tegemist kandke alati hoolt selle eest, et tööriist oleks välja lülitatud ja akukassett korpuse küljest eemaldatud.

**TÄHELEPANU:** Ärge kunagi kasutage bensiini, vedeldit, alkoholi ega midagi muud sarnast. Selle tulemuseks võib olla luitumine, deformatsioon või pragunemine.

Toote OHUTUSE ja TÖÖKINDLUSE tagamiseks tuleb vajalikud remonttööd ning muud hooldus- ja reguleerimistööd lasta teha Makita volitatud teeninduskeskustes või tehase teeninduskeskustes. Alati tuleb kasutada Makita varuosi.

## Määrdeainest puhastamine

Tööriista ladustamisel või kui kasutate trumlit, milles on määrdeaine jäägid, eemaldage trummel ja vana määrdeaine järgneval viisil.

1. Vabastage õhu äravooluklapp.
2. Tõmmake kolvivarda käepide täielikult välja ja lukustage.
3. Eemaldage trummel tööriistast.
4. Avage kolvivarda käepide. Jätke kolvivarda käepidemest hoidmist ja liigutage kolvivarda käepidet aeglaselt ettepoole, et määre väljuks trumlist.

**⚠ETTEVAATUST:** Ärge eemaldage kätt kolvivarda käepidemest. Vastasel juhul väljub määre jõuliselt.

**TÄHELEPANU:** Väldige tolmu sattumist trumli sisemusse. Tolm võib tööriista ummistada.

**TÄHELEPANU:** Puhastage trumli sisemust iga kolme kuu järel.

## VALIKULISED TARVIKUD

**⚠ETTEVAATUST:** Neid tarvikuid ja lisaseadiseid on soovitatav kasutada koos Makita tööriistaga, mille kasutamist selles kasutusjuhendis kirjeldatakse. Muude tarvikute ja liseseadiste kasutamisega kaasneb vigastada saamise oht. Kasutage tarvikuid ja liseseadiseid ainult otstarbekohaselt.

Saate vajaduse korral kohalikust Makita teeninduskeskusest lisateavet nende tarvikute kohta.

- Adapter
- Elastne voolik
- Trummel
- Kassettrummel
- Ölarihm
- Adapteri lukk
- Nurkadapter
- Makita algupärane aku ja laadija

**MÄRKUS:** Mõned nimekirjas loetletud tarvikud võivad kuuluda standardvarustusse ning need on lisatud tööriista pakendisse. Need võivad riigiti erineda.

## Adapteri asendamine

Vabastage ja eemaldage vana adapter kahe mutri-võtmega, nagu on näidatud, ja seejärel kinnitage uus adapter kindlalt.

► Joon.24

**MÄRKUS:** Kui määre lekib vooliku ja adapteri vahelisest liitmikust, mähkige enne adapteri ühendamist vooliku keermeosa ümber keermetihenduslint.

## Elastse vooliku asendamine

Vabastage ja eemaldage vana elastne voolik mutri-võtmega, nagu on näidatud, ja seejärel kinnitage uus elastne voolik kindlalt.

► Joon.25

**⚠ETTEVAATUST:** Asendage samal ajal uue elastse vooliku ühendusosale kinnitatud kummist rõngas. Kui asendate elastse vooliku ilma kummist rõngaga või vana kummist rõngaga, võib määre lekkida ja põhjustada vigastusi.

## Trumli vahetamine

**MÄRKUS:** Trumli tüüp erineb olenevalt riigist.

**MÄRKUS:** Erinevat tüüpi trumli paigaldamiseks on vaja täiendavaid osi, mida on kirjeldatud allpool, sõltuvalt trumli tüübist.

## A-tüüpi trumli asendamine B-tüüpi/C-tüüpi trumliga

1. Eemaldage A-tüüpi trummel.
2. Eemaldage kruvi ja seejärel hülss.  
► **Joon.26:** 1. Hülss 2. Kruvi
3. Paigaldage kummitihendiga liitmik, samal ajal jوندades saki kinnitusosas oleva soonega, ja kinnitage see kruvidega.
4. Paigaldage B-tüüpi/C-tüüpi trummel.  
► **Joon.27:** 1. Liitmik 2. Kummitihend 3. Sakk 4. Soon 5. Kruvi

## B-tüüpi/C-tüüpi trumli asendamine A-tüüpi trumliga

1. Eemaldage B-tüüpi/C-tüüpi trummel.
2. Keerake lahti ja eemaldage liitmik.  
► **Joon.28:** 1. Liitmik 2. Kummitihend 3. Kruvi
3. Sisestage hülss tööriista korpusesse ja kinnitage see kruviga.
4. Paigaldage A-tüüpi trummel.  
► **Joon.29:** 1. Hülss 2. Kruvi

## Kassetitrummel

Määrdekassetti näete kassetitrumlil oleva augu kaudu.

► **Joon.30**

Kassetitrumlit kasutades viige kolvi osad vastavast trumlist kassetitrumlisse.

► **Joon.31:** 1. Kolvi osad 2. Kassetitrummel

Kui kolvivarda käepidet on raske välja tõmmata, järgige alltoodud juhiseid.

1. Sisestage tühi määrdekassett trumlisse.  
► **Joon.32:** 1. Tühi määrdekassett
2. Tõmmake kolvivarda käepidet ja lukustage.  
► **Joon.33**
3. Eemaldage tühi määrdekassett trumlist.

## Adapteri lukk

**⚠ETTEVAATUST:** Olge ettevaatlik, et te ei jätaks sõrme adapteril oleva luku vahele.

**⚠ETTEVAATUST:** Kandke kaitseprille. Adapteri luku määrdenipliit eemaldamisel võib määre tööriistast välja paiskuda ja vigastusi põhjustada.

Adapteril olevat lukku määrdenipliga ühendades lükake adapteril olevat lukku otse määrdenipli suunas, tõmmates samal ajal luku hooba adapteril, seejärel vabastage hoob.

► **Joon.34:** 1. Hoob 2. Adapteri lukk

Adapteril oleva luku kokkupanekuks vaadake peatükki adapteri asendamise kohta.

## Nurkadapter

Nurkadapteri paigaldamisel lükake tööriista adapter otse nurkadapterisse.

► **Joon.35:** 1. Nurkadapter

## ТЕХНИЧЕСКИЕ ХАРАКТЕРИСТИКИ

Модель:		DGP180
Номинальное напряжение		18 В пост. тока
Количество смазки (с резервуаром типа А)	Патрон	410 г
	Наливная емкость	455 г
Количество смазки (с резервуаром типа В)	Патрон	450 г
	Наливная емкость	570 г
Максимальное рабочее давление		69 МПа
Максимальный расход	Режим низкой скорости	145 мл/мин
	Режим автоматического выбора скорости	290 мл/мин
Подходящий тип смазки		№0 – №2 по классификации NLGI
Длина шланга		1 200 мм
Общая длина	С резервуаром типа А	411 мм
	С резервуаром типа В	449 мм
Масса нетто		4,8 – 6,1 кг

**ПРИМЕЧАНИЕ:** Тип резервуара (тип А или тип В) различается в зависимости от страны.

- Благодаря нашей постоянно действующей программе исследований и разработок указанные здесь технические характеристики могут быть изменены без предварительного уведомления.
- Технические характеристики и аккумуляторный блок могут отличаться в зависимости от страны.
- Масса может отличаться в зависимости от дополнительного оборудования. Обратите внимание, что блок аккумулятора также считается дополнительным оборудованием. В таблице представлены комбинации с наибольшим и наименьшим весом в соответствии с процедурой EPTA 01/2014.

### Подходящий блок аккумулятора и зарядное устройство

Блок аккумулятора	BL1815N / BL1820B / BL1830B / BL1840B / BL1850B / BL1860B
Зарядное устройство	DC18RC / DC18RD / DC18RE / DC18SD / DC18SE / DC18SF / DC18SH

- В зависимости от региона проживания некоторые блоки аккумуляторов и зарядные устройства, перечисленные выше, могут быть недоступны.

**⚠ ОСТОРОЖНО:** Используйте только перечисленные выше блоки аккумуляторов и зарядные устройства. Использование других блоков аккумуляторов и зарядных устройств может привести к травме и/или пожару.

### Назначение

Этот инструмент предназначен для дозированной подачи смазки.

### Шум

Типичный уровень взвешенного звукового давления (A), измеренный в соответствии с EN62841-1: Уровень звукового давления ( $L_{pA}$ ): 76 дБ (A)  
Погрешность (K): 3 дБ (A)

**ПРИМЕЧАНИЕ:** Заявленное значение распространения шума измерено в соответствии со стандартной методикой испытаний и может быть использовано для сравнения инструментов.

**ПРИМЕЧАНИЕ:** Заявленное значение распространения шума можно также использовать для предварительных оценок воздействия.

**⚠ ОСТОРОЖНО:** Используйте средства защиты слуха.

**⚠ ОСТОРОЖНО:** Распространение шума во время фактического использования электроинструмента может отличаться от заявленного значения в зависимости от способа применения инструмента и в особенности от типа обрабатываемой детали.

**⚠ ОСТОРОЖНО:** Обязательно определите меры безопасности для защиты оператора, основанные на оценке воздействия в реальных условиях использования (с учетом всех этапов рабочего цикла, таких как выключение инструмента, работа без нагрузки и включение).

## Вибрация

Суммарное значение вибрации (сумма векторов по трем осям), определенное в соответствии с EN62841-1:

Распространение вибрации ( $a_h$ ): 2,5 м/с<sup>2</sup> или менее  
Погрешность (K): 1,5 м/с<sup>2</sup>

**ПРИМЕЧАНИЕ:** Заявленное общее значение распространения вибрации измерено в соответствии со стандартной методикой испытаний и может быть использовано для сравнения инструментов.

**ПРИМЕЧАНИЕ:** Заявленное общее значение распространения вибрации можно также использовать для предварительных оценок воздействия.

**⚠ ОСТОРОЖНО:** Распространение вибрации во время фактического использования электроинструмента может отличаться от заявленного значения в зависимости от способа применения инструмента и в особенности от типа обрабатываемой детали.

**⚠ ОСТОРОЖНО:** Обязательно определите меры безопасности для защиты оператора, основанные на оценке воздействия в реальных условиях использования (с учетом всех этапов рабочего цикла, таких как выключение инструмента, работа без нагрузки и включение).

## Декларация о соответствии ЕС

*Только для европейских стран*

Декларация о соответствии ЕС включена в руководство по эксплуатации (Приложение А).

## МЕРЫ БЕЗОПАСНОСТИ

### Общие рекомендации по технике безопасности для электроинструментов

**⚠ ОСТОРОЖНО:** Ознакомьтесь со всеми представленными инструкциями по технике безопасности, указаниями, иллюстрациями и техническими характеристиками, прилагаемыми к данному электроинструменту. Несоблюдение каких-либо инструкций, указанных ниже, может привести к поражению электрическим током, пожару и/или серьезной травме.

### Сохраните брошюру с инструкциями и рекомендациями для дальнейшего использования.

Термин "электроинструмент" в предупреждениях относится ко всему инструменту, работающему от сети (с проводом) или на аккумуляторах (без провода).

## Правила техники безопасности при эксплуатации аккумуляторного смазочного шприца

1. **Крепко держите инструмент.**
2. **Не пользуйтесь инструментом вблизи источников огня.** Смазка может быть легковоспламеняющейся.
3. **Технические характеристики используемой смазки должны соответствовать характеристикам, указанным в этом руководстве.** Использование смазки другого типа или материалов, не являющихся смазкой, может привести к неисправности.
4. **Не заправляйте шприц какими-либо другими материалами, кроме смазки, например маслом.** Масло может брызнуть из инструмента и попасть в глаза.
5. **Не переносите инструмент, держа его за гибкий шланг или ручку штока.**
6. **Во время использования инструмента надевайте защитные очки.**
7. **Проверяйте гибкий шланг перед каждым использованием.** Не используйте изогнутый или поврежденный шланг. Шланг может порваться под высоким давлением, и смазка попадет в глаза.
8. **Убедитесь в том, что шток надежно зафиксирован.** Шток может случайно сместиться и стать причиной защемления.
9. **Перед началом эксплуатации прочитайте инструкции производителя смазки и соблюдайте их.**
10. **Держите ручку штока на расстоянии от рук и одежды.** В противном случае возможно защемление пальцев или одежды.
11. **Вытирайте прилипшую к инструменту смазку.** В противном случае это может привести к выскальзыванию инструмента и травме.
12. **Не сгибайте гибкий шланг с усилием и не ставьте на него печать.** Это может привести к поломке или деформации шланга.
13. **Не направляйте переходник на кого-либо поблизости.**
14. **Используйте только шланги, указанные компанией Makita.** Использование любого другого шланга может привести к травме.

## СОХРАНИТЕ ДАННЫЕ ИНСТРУКЦИИ.

### Важные правила техники безопасности для работы с аккумуляторным блоком

1. **Перед использованием аккумуляторного блока прочитайте все инструкции и предупреждающие надписи на (1) зарядном устройстве, (2) аккумуляторном блоке и (3) инструменте, работающем от аккумуляторного блока.**
2. **Не разбирайте блок аккумулятора и не меняйте его конструкцию.** Это может привести к пожару, перегреву или взрыву.

3. Если время работы аккумуляторного блока значительно сократилось, немедленно прекратите работу. В противном случае, может возникнуть перегрев блока, что приведет к ожогам и даже к взрыву.
4. В случае попадания электролита в глаза промойте их обильным количеством чистой воды и немедленно обратитесь к врачу. Это может привести к потере зрения.
5. Не замыкайте контакты аккумуляторного блока между собой:
  - (1) Не прикасайтесь к контактам какими-либо токопроводящими предметами.
  - (2) Не храните аккумуляторный блок в контейнере вместе с другими металлическими предметами, такими как гвозди, монеты и т. п.
  - (3) Не допускайте попадания на аккумуляторный блок воды или дождя.
 Замыкание контактов аккумуляторного блока между собой может привести к возникновению большого тока, перегреву, возможным ожогам и даже поломке блока.
6. Не храните и не используйте инструмент и аккумуляторный блок в местах, где температура может достигать или превышать 50 °C (122 °F).
7. Не бросайте аккумуляторный блок в огонь, даже если он сильно поврежден или полностью вышел из строя. Аккумуляторный блок может взорваться под действием огня.
8. Запрещено вбивать гвозди в блок аккумулятора, резать, ломать, бросать, ронять блок аккумулятора или ударять его твердым предметом. Это может привести к пожару, перегреву или взрыву.
9. Не используйте поврежденный аккумуляторный блок.
10. Входящие в комплект литий-ионные аккумуляторы должны эксплуатироваться в соответствии с требованиями законодательства об опасных товарах.
 

При коммерческой транспортировке, например, третьей стороной или экспедитором, необходимо нанести на упаковку специальные предупреждения и маркировку.

В процессе подготовки устройства к отправке обязательно проконсультируйтесь со специалистом по опасным материалам. Также соблюдайте местные требования и нормы. Они могут быть строже.

Закройте или закрепите разомкнутые контакты и упакуйте аккумулятор так, чтобы он не перемещался по упаковке.
11. Для утилизации блока аккумулятора извлеките его из инструмента и утилизируйте безопасным способом. Выполняйте требования местного законодательства по утилизации аккумуляторного блока.
12. Используйте аккумуляторы только с продукцией, указанной Makita. Установка аккумуляторов на продукцию, не соответствующую требованиям, может привести к пожару, перегреву, взрыву или утечке электролита.
13. Если инструментом не будут пользоваться в течение длительного периода времени, извлеките аккумулятор из инструмента.
14. Во время и после использования блок аккумулятора может нагреваться, что может стать причиной ожогов или низкотемпературных ожогов. Будьте осторожны при обращении с горячим блоком аккумулятора.
15. Не прикасайтесь к контактам инструмента сразу после использования, поскольку они могут быть достаточно горячими, чтобы вызвать ожоги.
16. Не допускайте, чтобы обломки, пыль или земля прилипали к контактам, отверстиям и пазам на блоке аккумулятора. Это может привести к снижению эксплуатационных параметров, поломке инструмента или блока аккумулятора.
17. Если инструмент не рассчитан на использование вблизи высоковольтных линий электропередач, не используйте блок аккумулятора вблизи высоковольтных линий электропередач. Это может привести к неисправности, поломке инструмента или блока аккумулятора.
18. Храните аккумулятор в недоступном для детей месте.

## СОХРАНИТЕ ДАННЫЕ ИНСТРУКЦИИ.

**▲ВНИМАНИЕ:** Используйте только фирменные аккумуляторные батареи Makita. Использование аккумуляторных батарей, не произведенных Makita, или батарей, которые были подвергнуты модификациям, может привести к взрыву аккумулятора, пожару, травмам и повреждению имущества. Это также автоматически аннулирует гарантию Makita на инструмент и зарядное устройство Makita.

## Советы по обеспечению максимального срока службы аккумулятора

1. Заряжайте блок аккумуляторов перед его полной разрядкой. Обязательно прекратите работу с инструментом и зарядите блок аккумуляторов, если вы заметили снижение мощности инструмента.
2. Никогда не подзаряжайте полностью заряженный блок аккумуляторов. Перезарядка сокращает срок службы аккумулятора.
3. Заряжайте блок аккумуляторов при комнатной температуре в 10 - 40 °C (50 - 104 °F). Перед зарядкой горячего блока аккумуляторов дайте ему остыть.
4. Если блок аккумулятора не используется, извлеките его из инструмента или зарядного устройства.
5. Зарядите ионно-литиевый аккумуляторный блок, если вы не будете пользоваться инструментом длительное время (более шести месяцев).

# ОПИСАНИЕ ДЕТАЛЕЙ

► Рис.1

1	Триггерный переключатель	2	Кнопка блокировки	3	Выключатель лампы
4	Лампа	5	Кнопка блокировки триггерного переключателя	6	Ручка изменения режима скорости
7	Выход для стравливания воздуха	8	Заглушка заправочного отверстия	9	Гибкий шланг
10	Переходник	11	Отверстие для ремня	12	Блок аккумулятора
13	Резервуар	14	Ручка штока	15	Держатель шланга
16	Клапан сброса давления	17	Плечевой ремень	-	-

## ОПИСАНИЕ РАБОТЫ

**▲ВНИМАНИЕ:** Перед регулировкой или проверкой функций инструмента обязательно убедитесь, что он выключен и его аккумуляторный блок снят.

### Установка или снятие блока аккумулятора

**▲ВНИМАНИЕ:** Обязательно выключайте инструмент перед установкой и извлечением аккумуляторного блока.

**▲ВНИМАНИЕ:** При установке и извлечении аккумуляторного блока крепко удерживайте инструмент и аккумуляторный блок. Если не соблюдать это требование, они могут выскользнуть из рук, что приведет к повреждению инструмента, аккумуляторного блока и травмированию оператора.

► Рис.2: 1. Красный индикатор 2. Кнопка 3. Блок аккумулятора

Для снятия аккумуляторного блока нажмите кнопку на лицевой стороне и извлеките блок.

Для установки блока аккумулятора совместите выступ блока аккумулятора с пазом в корпусе и задвиньте его на место. Устанавливайте блок до упора так, чтобы он зафиксировался на месте с небольшим щелчком. Если вы можете видеть красный индикатор на верхней части клавиши, блок аккумулятора не полностью зафиксирован на месте.

**▲ВНИМАНИЕ:** Обязательно устанавливайте блок аккумулятора до конца, чтобы красный индикатор не был виден. В противном случае блок аккумулятора может выпасть из инструмента и нанести травму вам или другим людям.

**▲ВНИМАНИЕ:** Не прилагайте чрезмерных усилий при установке аккумуляторного блока. Если блок не двигается свободно, значит он вставлен неправильно.

## Система защиты инструмента/ аккумулятора

На инструменте предусмотрена система защиты инструмента/аккумулятора. Она автоматически отключает питание двигателя для продления срока службы инструмента и аккумулятора. Инструмент автоматически остановится во время работы в следующих случаях:

### Защита от перегрузки

Если из-за способа эксплуатации инструмент/аккумулятор потребляет очень большое количество тока, он автоматически остановится без включения каких-либо индикаторов. В этом случае выключите инструмент и прекратите работу, повлекшую перегрузку инструмента. Затем включите инструмент для перезапуска.

### Защита от перегрева

При перегреве инструмента или аккумулятора инструмент автоматически останавливается, подсветка начинает мигать. В этом случае дайте инструменту/аккумулятору остыть перед повторным включением.

### Защита от переразрядки

При истощении емкости аккумулятора инструмент автоматически останавливается. В этом случае извлеките аккумулятор из инструмента и зарядите его.

**ПРИМЕЧАНИЕ:** Система защиты может срабатывать чаще в зависимости от температуры окружающей среды или типа и состояния смазки.

## Индикация оставшегося заряда аккумулятора

Только для блоков аккумулятора с индикатором

► Рис.3: 1. Индикаторы 2. Кнопка проверки

Нажмите кнопку проверки на аккумуляторном блоке для проверки заряда. Индикаторы загорятся на несколько секунд.

Индикаторы			Уровень заряда
Горит	Выкл.	Мигает	
■ ■ ■ ■	□ □ □ □	□ □ □ □	от 75 до 100%
■ ■ ■ □	□ □ □ □	□ □ □ □	от 50 до 75%
■ ■ □ □	□ □ □ □	□ □ □ □	от 25 до 50%
■ □ □ □	□ □ □ □	□ □ □ □	от 0 до 25%
▣ □ □ □	□ □ □ □	□ □ □ □	Зарядите аккумуляторную батарею.
■ ■ □ □	□ □ □ □	□ □ □ □	Возможно, аккумуляторная батарея неисправна.
□ □ ■ ■	□ □ □ □	□ □ □ □	

**ПРИМЕЧАНИЕ:** В зависимости от условий эксплуатации и температуры окружающего воздуха индикация может незначительно отличаться от фактического значения.

**ПРИМЕЧАНИЕ:** Первая (дальняя левая) индикаторная лампа будет мигать во время работы защитной системы аккумулятора.

## Действие выключателя

**ВНИМАНИЕ:** Перед установкой аккумуляторного блока в инструмент обязательно убедитесь, что его триггерный переключатель нормально работает и возвращается в положение "OFF" (ВЫКЛ) при отпускании.

**ВНИМАНИЕ:** Если инструмент не используется, нажмите кнопку блокировки триггерного переключателя со стороны "А" для блокирования переключателя в положении OFF (ВЫКЛ.).

Для предотвращения случайного нажатия триггерный переключатель оборудован кнопкой блокировки. Для включения инструмента нажмите кнопку блокировки со стороны "В" и затем нажмите триггерный переключатель. Для повышения рабочей скорости инструмента нажмите триггерный переключатель сильнее. Для остановки отпустите триггерный переключатель. После использования всегда нажимайте кнопку блокировки триггерного переключателя со стороны "А". Для продолжительной работы нажмите триггерный переключатель, затем нажмите кнопку блокировки. Для остановки инструмента, который работает в режиме непрерывной работы, нажмите триггерный переключатель до упора.

► Рис.4: 1. Курковый выключатель 2. Кнопка блокировки 3. Кнопка блокировки триггерного переключателя

## Включение передней лампы

**ВНИМАНИЕ:** Не смотрите непосредственно на свет или источник света.

Чтобы включить лампу, нажмите переключатель лампы. Чтобы выключить лампу, нажмите переключатель лампы еще раз. Если инструмент находится в режиме ожидания примерно 60 секунд с остановленным двигателем, лампа отключается.

► Рис.5: 1. Лампа 2. Выключатель лампы

**ПРИМЕЧАНИЕ:** Для удаления пыли с линзы лампы используйте сухую ткань. Не допускайте возникновения царапин на линзе лампы, так как это приведет к снижению освещенности.

## Выбор режима скорости

**ПРИМЕЧАНИЕ:** Меняйте режим скорости только после полной остановки инструмента.

Инструмент оснащен ручкой изменения режима скорости. Поверните ручку таким образом, чтобы стрелка на ручке указывала на один из двух режимов, указанных далее.

1	<b>Режим низкой скорости:</b> дозированная подача смазки с постоянной низкой скоростью.
2	<b>Режим автоматического выбора скорости:</b> подача смазки с переменным расходом, регулируемым автоматически в соответствии с давлением в месте нанесения смазки.

► Рис.6: 1. Ручка изменения режима скорости

## Клапан сброса давления

Когда внутреннее давление в инструменте превышает определенный уровень, из клапана сброса давления выходит смазка для понижения внутреннего давления.

► Рис.7: 1. Клапан сброса давления

**ВНИМАНИЕ:** Если смазка выходит из клапана сброса давления, вытрите смазку сухой тряпкой или аналогичным материалом. В противном случае это может привести к выскользыванию инструмента и травме.

## СБОРКА

**ВНИМАНИЕ:** Перед проведением каких-либо работ с инструментом обязательно убедитесь, что инструмент отключен, а блок аккумулятора снят.

## Удаление или установка резервуара

Удаление резервуара: открутите резервуар, как показано на рисунке.

► Рис.8: 1. Резервуар

Установка резервуара: вставьте резервуар в инструмент и закрутите в обратном направлении.

► Рис.9: 1. Резервуар



## Ручка штока

Во время заполнения резервуара смазкой потяните за ручку штока.

► **Рис.10:** 1. Ручка штока 2. Шток

Чтобы зафиксировать ручку в полностью выдвинутом положении, потяните за ручку, пока не станет видна выемка на штоке, после чего зафиксируйте часть штока с выемкой в пазу. Чтобы разблокировать ручку штока, сместите часть штока с выемкой, чтобы шток мог сдвинуться вперед.

► **Рис.11:** 1. Выемка 2. Паз

**▲ВНИМАНИЕ:** Убедитесь в том, что ручка штока надежно зафиксирована. В противном случае она может случайно освободиться и привести к защемлению.

**ПРИМЕЧАНИЕ:** Чтобы вытащить ручку штока, если в инструмент установлен резервуар, ослабьте клапан на выходе для стравливания воздуха, чтобы воздух попал в резервуар.

## Держатель шланга

Держатель шланга можно прикрепить к любой стороне инструмента винтом.

► **Рис.12:** 1. Держатель шланга 2. Винт

## Плечевой ремень

**▲ОСТОРОЖНО:** Не используйте отверстие для ремня для крепления стропа (страховочный ремень). Это может привести к тяжелым травмам, поскольку отверстие для ремня не предназначено для защитного устройства для предотвращения падения.

**▲ОСТОРОЖНО:** Даже при переноске на плечевом ремне не выпускайте инструмент из рук. При переноске только на плечевом ремне положение инструмента не фиксируется надлежащим образом. Плечевой ремень может соскочить или инструмент может удариться о другие предметы и нанести травму.

Закрепите крючки плечевого ремня на креплениях, как показано на рисунке.

► **Рис.13:** 1. Плечевой ремень 2. Крючок 3. Крепление

## ЭКСПЛУАТАЦИЯ

### Подача смазки

**▲ОСТОРОЖНО:** Обязательно прочитайте техническую документацию к смазке и/или другим инструментам и при необходимости замените следующее содержимое. Неправильное использование или несоблюдение инструкций может стать причиной травмы или повреждения инструмента.

**ПРИМЕЧАНИЕ:** При использовании резервуара с остатками смазки извлеките резервуар и удалите остатки смазки, как описано в процедурах в разделе, касающемся удаления смазки.

Далее указаны способы заправки инструмента смазкой.

## Установка патрона со смазкой (имеющегося в продаже) в резервуар

**ПРИМЕЧАНИЕ:** (Только для резервуара типа А)

Используйте патрон для смазки, кромку которого можно закрепить на торцевой поверхности резервуара.

**ПРИМЕЧАНИЕ:** (Только для резервуара типа В или С)

Используйте патрон для смазки, кромку которого можно закрепить на внутреннем уступе резервуара.

1. Извлеките резервуар из инструмента, после чего полностью вытяните шток за ручку и зафиксируйте его.

2. Снимите пластмассовую крышку патрона со смазкой и вставьте патрон со смазкой в резервуар.

► **Рис.14:** 1. Патрон со смазкой (имеющийся в продаже) 2. Отрывной язычок

3. Удалите отрывной язычок с патрона со смазкой и установите резервуар в инструмент.

Если между кромкой патрона для смазки и резервуаром имеется зазор, ввинтите резервуар в инструмент, надавливая его вперед.

► **Рис.15**

4. Отпустите ручку штока.

► **Рис.16**

5. Удалите воздух, оставшийся в канале подачи смазки. (См. раздел, касающийся удаления воздуха.)

## Заполнение резервуара смазкой из наливной емкости (имеющейся в продаже)

1. Извлеките резервуар из инструмента.

2. Окуните кончик резервуара в смазку, а затем потяните ручку штока. Смазка начнет набираться в резервуар.

► **Рис.17:** 1. Наливная емкость (имеющаяся в продаже)

3. Полностью вытяните ручку штока и зафиксируйте ее.

► **Рис.18**

4. Установите резервуар в инструмент и разблокируйте ручку штока.



5. Удалите воздух, оставшийся в канале подачи смазки. (См. раздел, касающийся удаления воздуха.)

**ПРИМЕЧАНИЕ:** Фиксируя ручку штока, убедитесь в том, что она надежно зафиксирована. Несоблюдение этого требования может привести к тому, что ручка штока случайно разблокируется и смазка вытечет из резервуара.

**ПРИМЕЧАНИЕ:** (Только для резервуара типа В или С)

Уровень смазки в резервуаре должен быть ниже линии паза для завинчивания. В противном случае смазка будет вытекать при установке резервуара в инструмент.

► **Рис.19:** 1. Резервуар (типа В или С) 2. Паз для завинчивания 3. Смазка

Заполнение резервуара смазкой также можно выполнить с помощью заправочного насоса (имеющегося в продаже), прикрепленного к наливной емкости.

1. Удалите заглушку заправочного отверстия. Присоедините фитинг загрузочного устройства (имеющегося в продаже) к заправочному отверстию.

2. Установив резервуар в инструмент, подсоедините фитинг загрузочного устройства к фитингу заправочного насоса.

► **Рис.20:** 1. Заглушка заправочного отверстия 2. Заправочное отверстие 3. Фитинг загрузочного устройства (имеющийся на рынке) 4. Заправочный насос (имеющийся на рынке) 5. Фитинг

3. Включите заправочный насос. Шток с ручкой будет выходить по мере наполнения резервуара смазкой.

► **Рис.21**

4. Отсоедините фитинг загрузочного устройства от фитинга заправочного насоса.

5. Удалите воздух, оставшийся в канале подачи смазки. (См. раздел, касающийся удаления воздуха.)

**▲ОСТОРОЖНО:** Используйте только фитинг загрузочного устройства низкого давления. Не используйте фитинг загрузочного устройства высокого давления. В противном случае это может повредить инструмент и стать причиной травмы.

**▲ВНИМАНИЕ:** Крепко удерживайте инструмент при заправке его смазкой с помощью заправочного насоса. Инструмент может упасть и нанести травму.

**ПРИМЕЧАНИЕ:** Прекратите заливать смазку, когда станет видна выемка на штоке. В противном случае возможна утечка смазки.

## Удаление воздуха

Воздух в канале подачи смазки может препятствовать точному дозированию смазки инструментом. Удаляйте воздух перед каждым использованием, а также если имеются основания полагать, что неправильная работа связана с наличием воздуха в канале подачи.

1. Для удаления воздуха из инструмента ослабьте клапан для стравливания воздуха. Воздух начнет выходить из отверстия для стравливания воздуха.

2. Закройте клапан, когда из отверстия начнет выходить смазка.

► **Рис.22:** 1. Клапан

**▲ОСТОРОЖНО:** При стравливании воздуха используйте защитные очки.

**▲ВНИМАНИЕ:** Вытрите смазку, которая выходит из отверстия для стравливания воздуха, сухой тряпкой или аналогичным материалом. В противном случае это может привести к выскальзыванию инструмента и травме.

## Дозированная подача смазки

В указанных далее случаях удаляйте старую смазку из инструмента перед использованием.

— Если инструмент будет использоваться в первый раз.

— Если будет использоваться смазка другого типа. После заполнения резервуара новой смазкой активируйте инструмент на некоторое время, пока из переходника не выйдет старая смазка.

**ПРИМЕЧАНИЕ:** Не подсоединяйте переходник к смазочному штуцеру, пока не будет удалена старая смазка. Смешивание смазок разных типов может привести к снижению эффективности смазки.

**ПРИМЕЧАНИЕ:** Поскольку инструмент проверялся на заводе, внутри него осталось небольшое количество смазки.

Для дозированной подачи смазки выполняйте указанную далее процедуру.

**▲ВНИМАНИЕ:** Перед началом работы проверьте режим скорости.

**ПРИМЕЧАНИЕ:** Перед подсоединением переходника к смазочному штуцеру убедитесь в том, что инструмент подает смазку правильно.

**ПРИМЕЧАНИЕ:** Не подсоединяйте переходник к смазочному штуцеру с усилием.

1. Вытирайте переходник и смазочный штуцер перед соединением. Подсоедините переходник непосредственно к смазочному штуцеру.

2. Нажмите триггерный переключатель для подачи смазки.

► **Рис.23**

3. После завершения подачи смазки отсоедините переходник от смазочного штуцера. Слегка наклоните переходник, чтобы стравить внутреннее давление, а затем отсоедините переходник от смазочного штуцера.

Вытрите смазку с переходника и смазочного штуцера.

**ПРИМЕЧАНИЕ:** Даже если в инструменте закончилась смазка, не оставляйте его включенным. Это может сократить срок службы инструмента.

**ПРИМЕЧАНИЕ:** В случае повышения внутреннего давления при не полностью нажатом триггерном переключателе срабатывает система защиты и двигатель останавливается, даже если в инструменте не достигнуто максимальное рабочее давление. При подаче смазки под высоким давлением до упора нажмите триггерный переключатель.

**ПРИМЕЧАНИЕ:** Инструмент останавливается автоматически при непрерывной работе в течение более 6 минут.

## ОБСЛУЖИВАНИЕ

**ВНИМАНИЕ:** Перед проведением проверки или работ по техобслуживанию всегда проверяйте, что инструмент выключен, а блок аккумуляторов снят.

**ПРИМЕЧАНИЕ:** Запрещается использовать бензин, растворители, спирт и другие подобные жидкости. Это может привести к обесцвечиванию, деформации и трещинам.

Для обеспечения БЕЗОПАСНОСТИ и НАДЕЖНОСТИ оборудования ремонт, любое другое техобслуживание или регулировку необходимо производить в уполномоченных сервис-центрах Makita или сервис-центрах предприятия с использованием только сменных частей производства Makita.

### Удаление смазки

На период хранения инструмента или при использовании резервуара с остатками смазки снимите резервуар и удалите остатки смазки, как описано далее.

1. Ослабьте клапан для стравливания воздуха.
2. Полностью вытяните ручку штока и зафиксируйте ее.
3. Извлеките резервуар из инструмента.
4. Разблокируйте ручку штока. Удерживайте ручку штока и медленно подавайте ее вперед, пока из резервуара не начнет выходить смазка.

**ВНИМАНИЕ:** Не убирайте руку с ручки штока. В противном случае смазка будет выходить бесконтрольно.

**ПРИМЕЧАНИЕ:** Не допускайте попадания пыли внутрь резервуара. Она может стать причиной закупоривания инструмента.

**ПРИМЕЧАНИЕ:** Очищайте внутреннюю часть резервуара раз в три месяца.

## ДОПОЛНИТЕЛЬНЫЕ ПРИНАДЛЕЖНОСТИ

**ВНИМАНИЕ:** Данные принадлежности или приспособления рекомендуются для использования с инструментом Makita, указанным в настоящем руководстве. Использование других принадлежностей или приспособлений может привести к получению травмы. Используйте принадлежность или приспособление только по указанному назначению.

Если вам необходимо содействие в получении дополнительной информации по этим принадлежностям, свяжитесь с вашим сервис-центром Makita.

- Переходник
- Гибкий шланг
- Резервуар
- Резервуар патрона
- Плечевой ремень
- Переходник с фиксатором
- Угловой переходник
- Оригинальный аккумулятор и зарядное устройство Makita

**ПРИМЕЧАНИЕ:** Некоторые элементы списка могут входить в комплект инструмента в качестве стандартных приспособлений. Они могут отличаться в зависимости от страны.

### Замена переходника

Ослабьте и снимите старый переходник двумя гаечными ключами, как показано, и надежно затяните новый переходник.

► Рис.24

**ПРИМЕЧАНИЕ:** Если смазка вытекает в месте соединения шланга с переходником, оберните резьбовую часть шланга резьбоуплотнительной лентой, прежде чем присоединить переходник.

### Замена гибкого шланга

Ослабьте и отсоедините старый гибкий шланг гаечным ключом, как показано, и надежно затяните новый гибкий шланг.

► Рис.25

**ВНИМАНИЕ:** Одновременно замените и резиновое кольцо, прикрепленное к соединительной части нового гибкого шланга. Если заменить гибкий шланг, не заменив резиновое кольцо или установив старое резиновое кольцо, смазка может протечь и стать причиной травмы.

## Замена резервуара

**ПРИМЕЧАНИЕ:** Тип резервуара различается в зависимости от страны.

**ПРИМЕЧАНИЕ:** Для установки резервуара другого типа необходимы дополнительные детали, описанные далее (в зависимости от типа резервуара).

### Замена резервуара типа А на резервуар типа В или С

1. Извлеките резервуар типа А.
2. Удалите винт, а затем муфту.  
► **Рис.26:** 1. Муфта 2. Винт
3. Вставьте соединение с резиновой прокладкой, совмещая выступ с пазом на крепежной детали, и затяните его винтами.
4. Установите резервуар типа В или С.  
► **Рис.27:** 1. Соединение 2. Резиновое уплотнение 3. Выступ 4. Выемка 5. Винт

### Замена резервуара типа В или С на резервуар типа А

1. Удалите резервуар типа В или С.
2. Отвинтите и снимите соединение.  
► **Рис.28:** 1. Соединение 2. Резиновое уплотнение 3. Винт
3. Вставьте муфту в корпус инструмента и закрепите ее винтом.
4. Установите резервуар типа А.  
► **Рис.29:** 1. Муфта 2. Винт

## Резервуар патрона

Патрон со смазкой можно увидеть через отверстие на резервуаре патрона.

► **Рис.30**

При использовании резервуара патрона переместите части поршня с соответствующего резервуара в резервуар патрона.

► **Рис.31:** 1. Части поршня 2. Резервуар патрона

Если вам не удастся вытянуть ручку штока, придерживайтесь описанной ниже процедуры.

1. Вставьте пустой патрон для смазки в резервуар.  
► **Рис.32:** 1. Пустой патрон для смазки
2. Вытяните ручку штока и зафиксируйте ее.  
► **Рис.33**
3. Извлеките пустой патрон для смазки из резервуара.

## Переходник с фиксатором

**⚠ВНИМАНИЕ:** Будьте осторожны, чтобы не защемить палец в переходнике с фиксатором.

**⚠ВНИМАНИЕ:** Надевайте защитные очки. При отсоединении переходника с фиксатором от смазочного штуцера из инструмента может брызнуть смазка и нанести травму.

При подсоединении переходника с фиксатором к смазочному штуцеру нажимайте на переходник с фиксатором в направлении прямо на смазочном штуцере и тяните при этом за рычаг на переходнике с фиксатором, после чего отпустите рычаг.

► **Рис.34:** 1. Рычаг 2. Переходник с фиксатором

Процедуру установки переходника с фиксатором см. в разделе по замене переходника.

## Угловой переходник

При подсоединении углового переходника нажмите на адаптер инструмента в направлении к угловому переходнику.

► **Рис.35:** 1. Угловой переходник

**Makita Europe N.V.** Jan-Baptist Vinkstraat 2,  
3070 Kortenberg, Belgium

**Makita Corporation** 3-11-8, Sumiyoshi-cho,  
Anjo, Aichi 446-8502 Japan

[www.makita.com](http://www.makita.com)

885731A985  
EN, SV, NO, FI, DA,  
LV, LT, ET, RU  
20201201