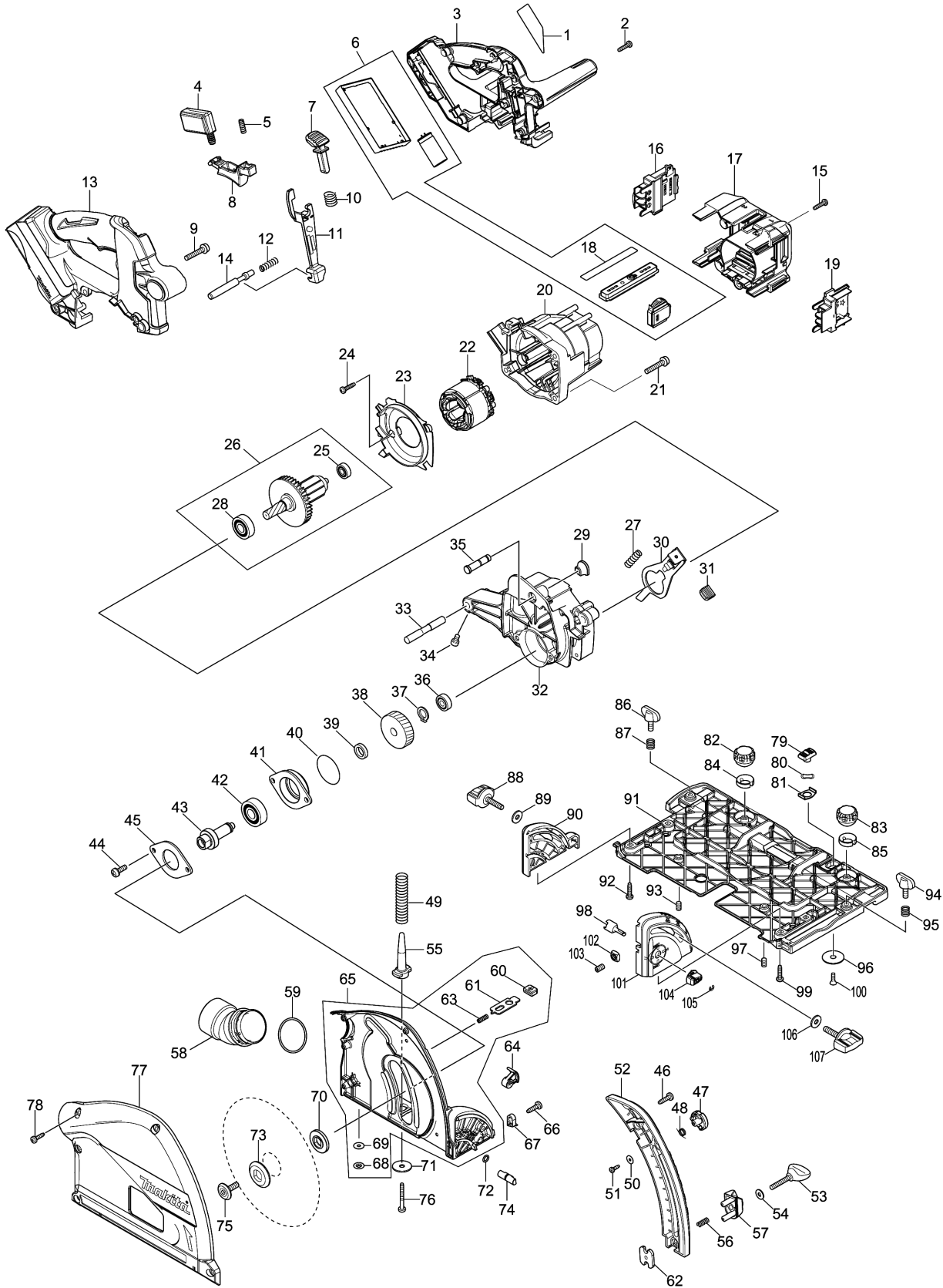


Model No.DSP600 165MM CORDLESS PLUNGE CUT SAW



Model No.DSP600 165MM CORDLESS PLUNGE CUT SAW

Item	Parts No.	Description	I/C	Qty	New/Old	Opt. 1	Opt. 2	Note
001	853K64-7	DSP600 NAME PLATE		1				
002	265995-6	TAPPING SCREW 4X18		8				
003	183H46-0	HANDLE REAR COVER SET		1				
C10	263005-3	RUBBER PIN 6		4				
D10		INC. 13,17						
004	651083-9	SWITCH C3XA-1PSPM		1				
005	234173-9	COMPRESSION SPRING 4		1				
006	135900-6	CONTROLLER ASSY		1	*			
C10	620691-7	SUB CONTROLLER		1	*			
D10		INC. 18			*			
006-1	135973-9	CONTROLLER ASSY	<	1				
C10	620691-7	SUB CONTROLLER		1				
D10		INC. 18						
007	419629-5	LOCK OFF BUTTON		1				
008	457748-9	SWITCH LEVER		1				
009	911253-5	PAN HEAD SCREW M5X30		2				
010	233089-5	COMPRESSION SPRING 12		1				
011	457749-7	LOCK PLATE		1				
012	233267-7	COMPRESSION SPRING 7		1				
013	183H46-0	HANDLE REAR COVER SET		1				
C10	263005-3	RUBBER PIN 6		4				
D10		INC. 3,17						
014	324709-3	LOCK PIN 8		1				
015	265995-6	TAPPING SCREW 4X18		5				
016	643874-2	TERMINAL		1				
017	183H46-0	HANDLE REAR COVER SET		1				
C10	263005-3	RUBBER PIN 6		4				
C20	813D01-1	CAUTION LABEL		1	*			
D10		INC. 3,13						
018	813D03-7	INDICATION LABEL		1				
019	643874-2	TERMINAL		1				
020	457750-2	MOTOR HOUSING		1				
021	911253-5	PAN HEAD SCREW M5X30		4				
022	629275-8	STATOR		1				
023	457751-0	BAFFLE PLATE		1				
024	265995-6	TAPPING SCREW 4X18		2				
025	210022-4	BALL BEARING 626DDW		1				
026	519448-0	ROTOR ASSY		1				
D10		INC. 25,28						
027	233084-5	COMPRESSION SPRING 6		1				
028	211131-2	BALL BEARING 6001DDW		1				
029	286040-4	CAP		1				

Model No.DSP600 165MM CORDLESS PLUNGE CUT SAW

Item	Parts No.	Description	I/C	Qty	New/Old	Opt. 1	Opt. 2	Note
030	345742-2	SHAFT LOCK		1				
031	286039-9	CAP		1				
032	144586-5	GEAR HOUSING COMPLETE		1				
C10	263002-9	RUBBER PIN 4		1				
033	326960-1	PIN 8		1	*			
033-1	324716-6	PIN 8	<	1				
034	265907-9	HEX. SOCKET HEAD BOLT M5X10		1				
035	324708-5	STOPPER PIN 8		1				
036	211021-9	BALL BEARING 607LLB		1				
037	961052-5	RETAINING RING S-12		1				
038	221548-1	HELICAL GEAR 41		1				
039	257010-0	RING 12		1				
040	213512-6	O RING 39		1				
041	318088-9	BEARING BOX		1				
042	211129-9	BALL BEARING 6201DDW		1				
043	324707-7	SPINDLE		1				
044	911221-8	PAN HEAD SCREW M5X16		2				
045	285689-7	BEARING RETAINER 55		1				
046	266034-5	TAPPING SCREW CT 4X16		2				
047	419630-0	LOCK LEVER		1				
048	231665-9	TORSION SPRING 7		1				
049	233479-2	COMPRESSION SPRING 11		1				
050	253821-1	FLAT WASHER 3		1				
051	266007-8	TAPPING SCREW BIND PT 3X10		1				
052	457756-0	DEPTH GUIDE		1				
053	251867-1	THUMB SCREW M5X30		1				
054	941101-4	FLAT WASHER 5		1	*			
054-1	253414-4	FLAT WASHER 5	O	1				
055	419624-5	SPRING HOLDER		1				
056	231372-4	COMPRESSION SPRING 5		1				
057	419623-7	STOPPER BLOCK		1				
058	457752-8	DUST NOZZLE		1				
059	213460-9	O RING 35		1				
060	286041-2	CAP 14		2				
061	345747-2	SPACER PLATE		2				
062	345744-8	NUT PLATE		1				
063	233025-1	COMPRESSION SPRING 2		2				
064	144867-7	LEVER 20 COMPLETE		1				
C10	263002-9	RUBBER PIN 4		1				
065	144868-5	BLADE CASE COMPLETE		1	*			
D10		INC. 60,61,63,68,69			*			

Model No.DSP600 165MM CORDLESS PLUNGE CUT SAW

Item	Parts No.	Description	I/C	Qty	New/Old	Opt. 1	Opt. 2	Note
065-1	140D56-6	BLADE CASE COMPLETE	O	1				
D10		INC. 60,61,63,68,69						
066	266034-5	TAPPING SCREW CT 4X16		1				
067	419632-6	POSITION PLATE		1				
068	259008-3	PUSH NUT 4		2				
069	253874-0	FLAT WASHER 4		2	*			
069-1	347392-9	PLATE	O	2				
070	224473-5	INNER FLANGE 35		1	*			
070-1	224593-5	INNER FLANGE 35	<	1				
071	253010-8	FLAT WASHER 6		1				
072	213021-5	O RING 5		1				
073	224409-4	OUTER FLANGE 35		1				
074	324710-8	PIN 8		1				
075	266403-0	HEX. SOCKET HEAD BOLT M6		1				
076	266053-1	TAPPING SCREW 4X35		1				
077	319605-8	BLADE CASE COVER		1	*			
077-1	319702-0	BLADE CASE COVER	S	1				
078	266034-5	TAPPING SCREW CT 4X16		5				
079	458092-7	SLIDE LEVER		1				
080	253932-2	WAVE WASHER 10		1				
081	345977-5	PLATE		1				
082	265775-0	THUMB SCREW M4X3		1				
083	265775-0	THUMB SCREW M4X3		1				
084	419627-9	HOLDER		1				
085	419627-9	HOLDER		1				
086	265701-9	THUMB SCREW M6X14		1				
087	231316-4	COMPRESSION SPRING 7		1				
088	265776-8	THUMB SCREW M6X26		1				
089	253111-2	FLAT WASHER 6		1				
090	419596-4	REAR ANGULAR GUIDE		1				
091	319604-0	BASE		1				
092	265995-6	TAPPING SCREW 4X18		2				
093	266225-8	H.S.SET SCREW(FLAT POINT)M6X8		1				
094	265701-9	THUMB SCREW M6X14		1				
095	231316-4	COMPRESSION SPRING 7		1				
096	345748-0	LOCK WASHER		1				
097	266225-8	H.S.SET SCREW(FLAT POINT)M6X8		1				
098	324731-0	STOPPER PIN		1				
099	265995-6	TAPPING SCREW 4X18		2				
100	912112-6	COUNTERSUNK HEAD SCREW M4X10		1				
101	419595-6	FRONT ANGULAR GUIDE		1				

Please order the parts with part number.

Print Date 27/3/2020

Model No.DSP600 165MM CORDLESS PLUNGE CUT SAW

Item	Parts No.	Description	I/C	Qty	New/Old	Opt. 1	Opt. 2	Note
102	252157-5	SQUARE NUT M6		1				
103	266225-8	H.S.SET SCREW(FLAT POINT)M6X8		1				
104	457963-5	DIAL 22		1				
105	961017-7	STOP RING E-3		1				
106	253111-2	FLAT WASHER 6		1				
107	265776-8	THUMB SCREW M6X26		1				
108	213045-1	O-RING 6	S	2	*			
A01	B-57059	TCT BLADE165X20X55T WOOD/MDF		1	*			
A01-1	B-57364	TCT BLADE165X20X56TWOOD/MDF DB	O	1	*			
A01-2	B-57364	TCT BLADE165X20X56TWOOD/MDF DB	O	1	*			
A01-3	B-57320	TCT BLADE165X20X56TWOOD/MDF DB	X	1				
A02	783203-8	HEX. WRENCH 5		1				
A03	165447-6	SUB BASE		1	*			
A04	821552-6	CONNECTOR PLASTIC CASE (TYPE4)		1				
C10	453974-8	LATCH		4				
A05	839290-6	INNER TRAY		1				
A06	813G06-9	DSP600ZJ INDICATION LABEL		1				
A07	813G07-7	DSP600ZJ PLASTIC CASE LABEL		2				

Please order the parts with part number.

Print Date 27/3/2020