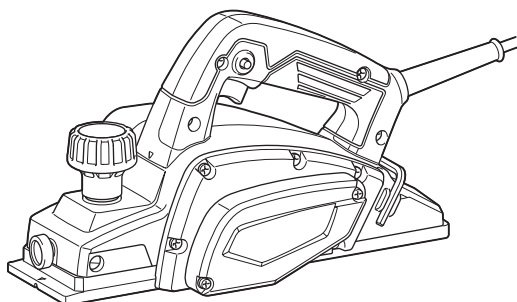
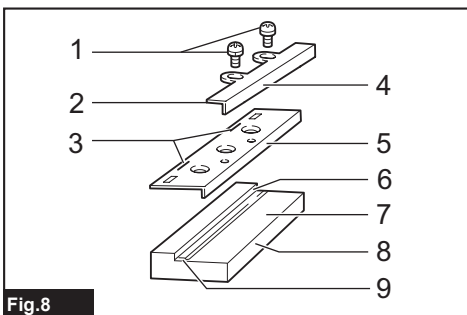
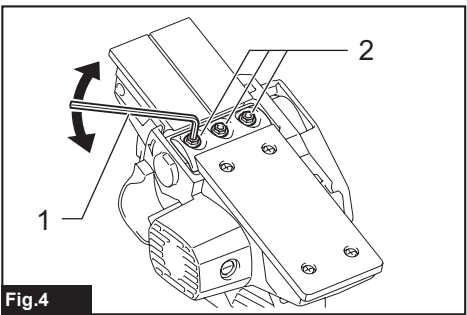
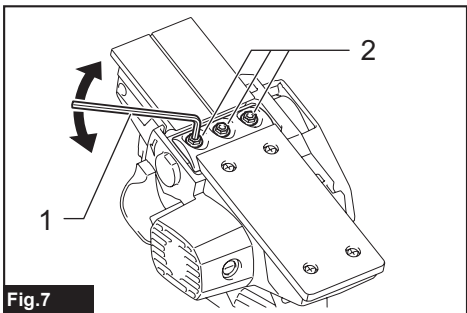
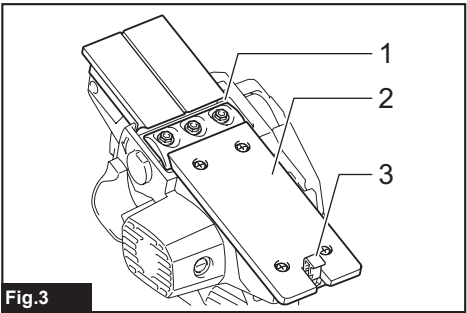
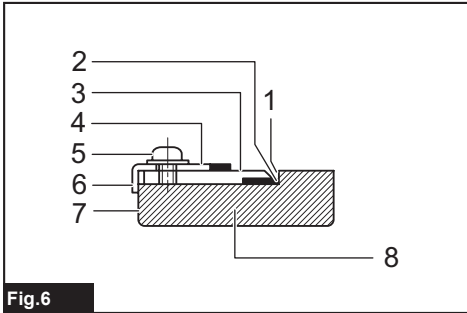
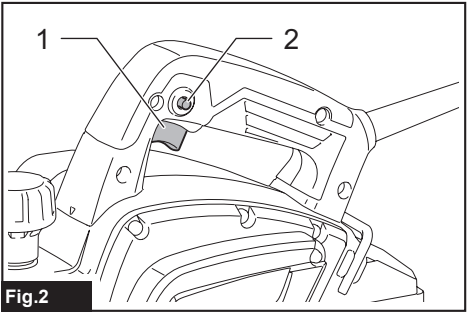
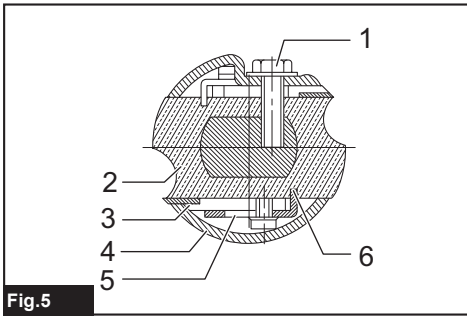
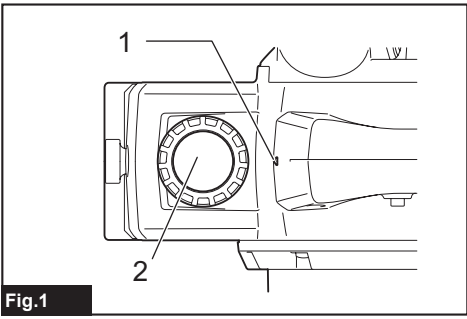


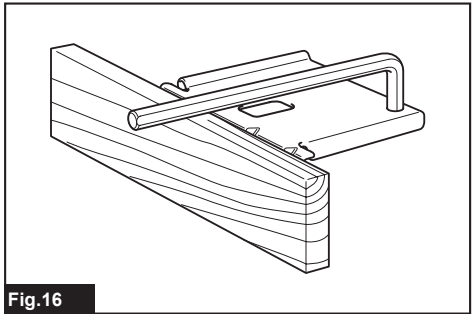
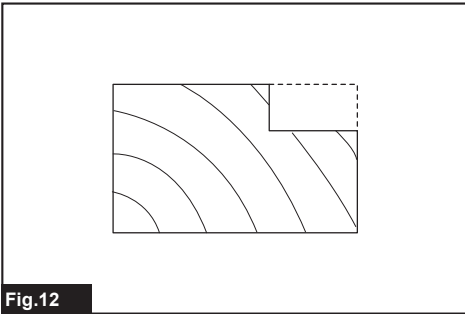
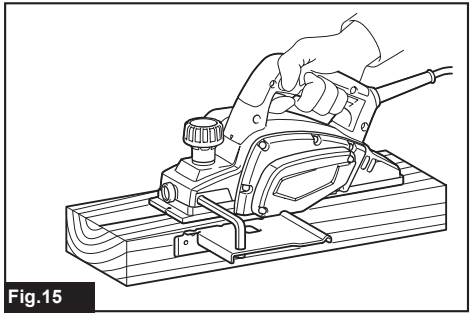
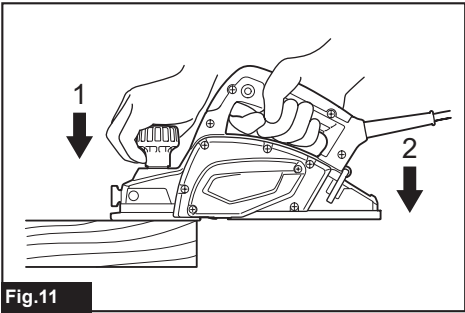
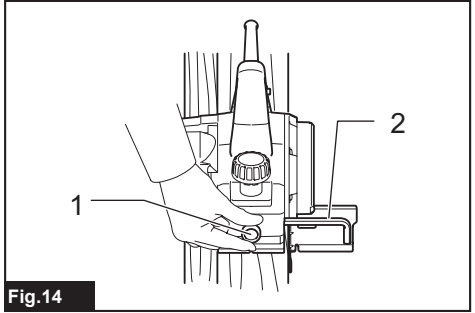
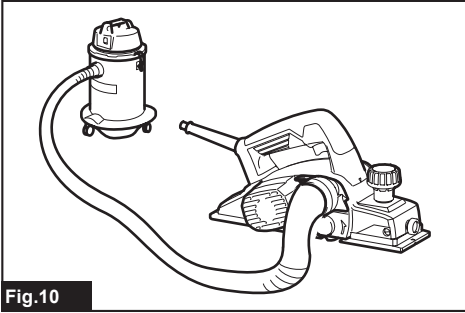
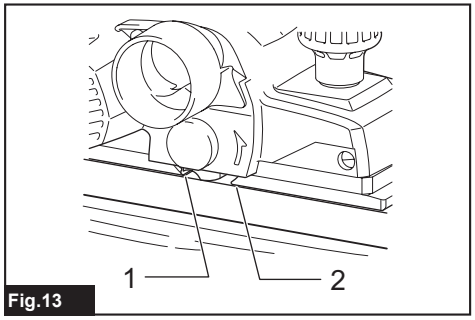
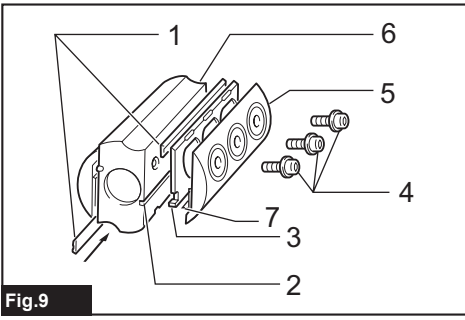


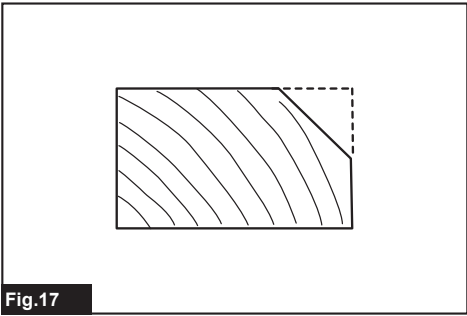
<b>EN</b>	Planer	INSTRUCTION MANUAL	5
<b>SV</b>	Hyvel	BRUKSANVISNING	10
<b>NO</b>	Høvel	BRUKSANVISNING	15
<b>FI</b>	Höylä	KÄYTTÖOHJE	20
<b>LV</b>	Ēvele	LIETOŠANAS INSTRUKCIJA	25
<b>LT</b>	Oblius	NAUDOJIMO INSTRUKCIJA	30
<b>ET</b>	Höövel	KASUTUSJUHEND	35
<b>RU</b>	Рубанок	РУКОВОДСТВО ПО ЭКСПЛУАТАЦИИ	40

## M1902

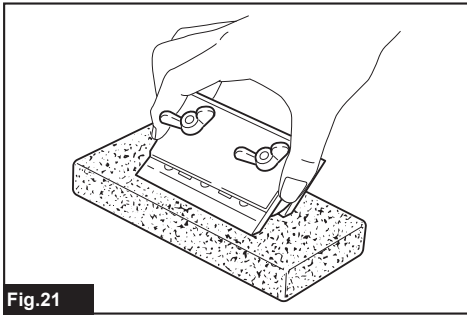




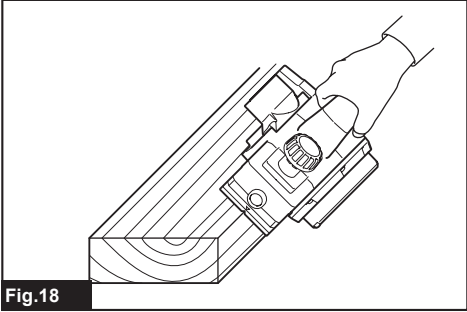




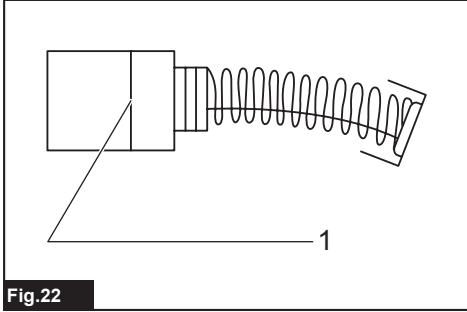
**Fig.17**



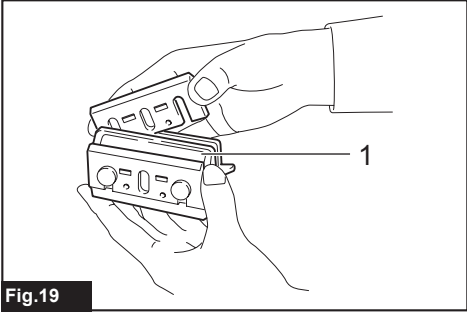
**Fig.21**



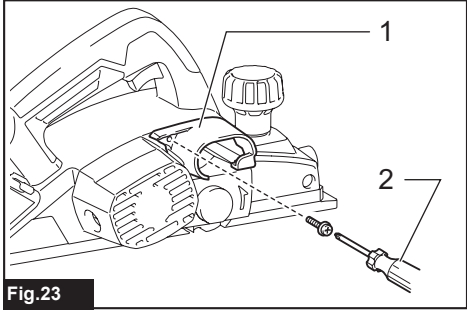
**Fig.18**



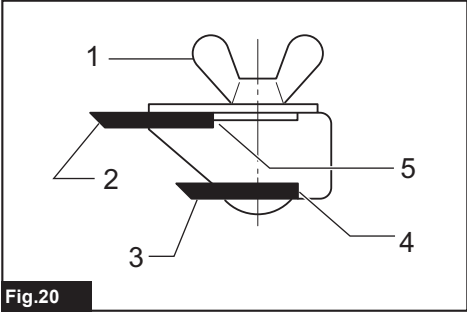
**Fig.22**



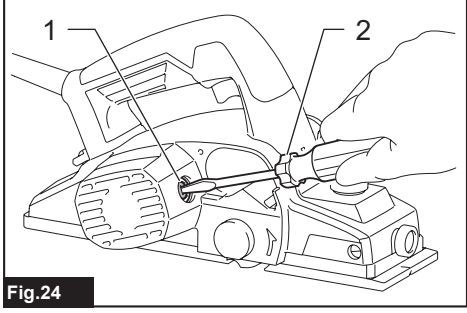
**Fig.19**



**Fig.23**



**Fig.20**



**Fig.24**

# SPECIFICATIONS

<b>Model:</b>		<b>M1902</b>
Planing width		82 mm
Planing depth		1 mm
Shiplapping depth		9 mm
No load speed		16,000 min <sup>-1</sup>
Overall length	Without foot	278 mm
	With foot	285 mm
Net weight		2.8 kg
Safety class		□/II

- Due to our continuing program of research and development, the specifications herein are subject to change without notice.
- Specifications may differ from country to country.
- Weight according to EPTA-Procedure 01/2014

## Intended use

The tool is intended for planing wood.

## Power supply

The tool should be connected only to a power supply of the same voltage as indicated on the nameplate, and can only be operated on single-phase AC supply. They are double-insulated and can, therefore, also be used from sockets without earth wire.

## Noise

The typical A-weighted noise level determined according to EN62841-2-14:

Sound pressure level ( $L_{pA}$ ): 84 dB(A)

Sound power level ( $L_{WA}$ ): 95 dB (A)

Uncertainty (K): 3 dB(A)

**NOTE:** The declared noise emission value(s) has been measured in accordance with a standard test method and may be used for comparing one tool with another.

**NOTE:** The declared noise emission value(s) may also be used in a preliminary assessment of exposure.

**⚠ WARNING:** Wear ear protection.

**⚠ WARNING:** The noise emission during actual use of the power tool can differ from the declared value(s) depending on the ways in which the tool is used especially what kind of workpiece is processed.

**⚠ WARNING:** Be sure to identify safety measures to protect the operator that are based on an estimation of exposure in the actual conditions of use (taking account of all parts of the operating cycle such as the times when the tool is switched off and when it is running idle in addition to the trigger time).

## Vibration

The vibration total value (tri-axial vector sum) determined according to EN62841-2-14:

Work mode: planing softwood

Vibration emission ( $a_{hv}$ ): 3.0 m/s<sup>2</sup>

Uncertainty (K): 1.5 m/s<sup>2</sup>

**NOTE:** The declared vibration total value(s) has been measured in accordance with a standard test method and may be used for comparing one tool with another.

**NOTE:** The declared vibration total value(s) may also be used in a preliminary assessment of exposure.

**⚠ WARNING:** The vibration emission during actual use of the power tool can differ from the declared value(s) depending on the ways in which the tool is used especially what kind of workpiece is processed.

**⚠ WARNING:** Be sure to identify safety measures to protect the operator that are based on an estimation of exposure in the actual conditions of use (taking account of all parts of the operating cycle such as the times when the tool is switched off and when it is running idle in addition to the trigger time).

## EC Declaration of Conformity

*For European countries only*

The EC declaration of conformity is included as Annex A to this instruction manual.

# SAFETY WARNINGS

## General power tool safety warnings

**⚠️WARNING:** Read all safety warnings, instructions, illustrations and specifications provided with this power tool. Failure to follow all instructions listed below may result in electric shock, fire and/or serious injury.

## Save all warnings and instructions for future reference.

The term "power tool" in the warnings refers to your mains-operated (corded) power tool or battery-operated (cordless) power tool.

## Planner Safety Warnings

1. **Wait for the cutter to stop before setting the tool down.** An exposed rotating cutter may engage the surface leading to possible loss of control and serious injury.
2. **Hold the power tool by insulated gripping surfaces, because the cutter may contact its own cord.** Cutting a "live" wire may make exposed metal parts of the power tool "live" and could give the operator an electric shock.
3. **Use clamps or another practical way to secure and support the workpiece to a stable platform.** Holding the workpiece by your hand or against the body leaves it unstable and may lead to loss of control.
4. **Rags, cloth, cord, string and the like should never be left around the work area.**
5. **Avoid cutting nails. Inspect for and remove all nails from the workpiece before operation.**
6. **Use only sharp blades. Handle the blades very carefully.**
7. **Be sure the blade installation bolts are securely tightened before operation.**
8. **Hold the tool firmly with both hands.**
9. **Keep hands away from rotating parts.**
10. **Before using the tool on an actual workpiece, let it run for a while. Watch for vibration or wobbling that could indicate poor installation or a poorly balanced blade.**
11. **Make sure the blade is not contacting the workpiece before the switch is turned on.**
12. **Wait until the blade attains full speed before cutting.**
13. **Always switch off and wait for the blades to come to a complete stop before any adjusting.**
14. **Never stick your finger into the chip chute. Chute may jam when cutting damp wood. Clean out chips with a stick.**
15. **Do not leave the tool running. Operate the tool only when hand-held.**
16. **Always change both blades or covers on the drum, otherwise the resulting imbalance will cause vibration and shorten tool life.**
17. **Use only Makita blades specified in this manual.**
18. **Always use the correct dust mask/respirator for the material and application you are working with.**

## SAVE THESE INSTRUCTIONS.

**⚠️WARNING:** DO NOT let comfort or familiarity with product (gained from repeated use) replace strict adherence to safety rules for the subject product.

MISUSE or failure to follow the safety rules stated in this instruction manual may cause serious personal injury.

## FUNCTIONAL DESCRIPTION

**⚠️CAUTION:** Always be sure that the tool is switched off and unplugged before adjusting or checking function on the tool.

## Adjusting depth of cut

► Fig.1: 1. Pointer 2. Knob

Depth of cut may be adjusted by simply turning the knob on the front of the tool so that the pointer points the desired depth of cut.

## Switch action

► Fig.2: 1. Switch trigger 2. Lock button or Lock-off button

**⚠️CAUTION:** Before plugging in the tool, always check to see that the switch trigger actuates properly and returns to the "OFF" position when released.

## For tool with lock button

**⚠️CAUTION:** Switch can be locked in "ON" position for ease of operator comfort during extended use. Apply caution when locking tool in "ON" position and maintain firm grasp on tool.

To start the tool, simply pull the switch trigger. Release the switch trigger to stop.  
For continuous operation, pull the switch trigger and then push in the lock button.  
To stop the tool from the locked position, pull the switch trigger fully, then release it.

## For tool with lock-off button

To prevent the switch trigger from being accidentally pulled, a lock-off button is provided.  
To start the tool, depress the lock-off button and pull the switch trigger. Release the switch trigger to stop.

**⚠️CAUTION:** Do not pull the switch trigger hard without depressing the lock-off button. This can cause switch breakage.

## Foot

### Country specific

► Fig.3: 1. Planer blade 2. Rear base 3. Foot

After a cutting operation, raise the back side of the tool so that the foot comes out of the rear base. This prevents the planer blades to be damaged.

# ASSEMBLY

**⚠ CAUTION:** Always be sure that the tool is switched off and unplugged before carrying out any work on the tool.

## Removing or installing planer blades

**⚠ CAUTION:** Tighten the blade installation bolts carefully when attaching the planer blades to the tool. A loose installation bolt can be dangerous. Always check to see they are tightened securely.

**⚠ CAUTION:** Handle the planer blades very carefully. Use gloves or rags to protect your fingers or hands when removing or installing the blades.

**⚠ CAUTION:** Use only the Makita wrench provided to remove or install the planer blades. Failure to do so may result in overtightening or insufficient tightening of the installation bolts. This could cause an injury.

## For tool with conventional planer blades

To remove the planer blades on the drum, unscrew the installation bolts with the hex wrench. The drum cover comes off together with the blades.

► **Fig.4:** 1. Hex wrench 2. Bolts

► **Fig.5:** 1. Bolts 2. Drum 3. Planer blade 4. Drum cover 5. Adjusting plate 6. Groove

To install the planer blades, do the following procedure.

1. Clean out all chips or foreign matter adhering to the drum and planer blades.
2. Choose planer blades of the same dimensions and weight. Otherwise drum oscillation/vibration will result, causing poor planing action and, eventually, tool breakdown.
3. Use the blade gauge to set the planer blades correctly. Put the planer blade on the blade gauge. Apply the cutting edge of the blade on the inside flank of the blade gauge.

► **Fig.6:** 1. Inside flank of blade gauge 2. Blade edge 3. Planer blade 4. Adjusting plate 5. Screws 6. Heel 7. Back side of blade gauge 8. Blade gauge

4. Place the adjusting plate on the planer blade. Press the adjusting plate so that its heel is flush with the back side of blade gauge. Tighten two screws on the adjusting plate.
5. Slip the heel of the adjusting plate into the drum groove, then fit the drum cover on it.
6. Tighten all the installation bolts evenly and alternately with the hex wrench.
7. Repeat the procedure above for the other blade.

## For tool with mini planer blades

To replace the mini planer blades, do the following procedure.

1. Carefully clean the drum surfaces and the drum cover.

2. Unscrew the three installation bolts with the hex wrench. Remove the drum cover, adjusting plate, set plate and the mini planer blade.

► **Fig.7:** 1. Hex wrench 2. Bolts

3. Use the blade gauge to set the planer blades correctly. Put the mini planer blade on the blade gauge. Apply the cutting edge of the blade on the inside flank of the blade gauge.

► **Fig.8:** 1. Screws 2. Adjusting plate 3. Planer blade locating lugs 4. Heel of adjusting plate 5. Set plate 6. Inside flank of blade gauge 7. Blade gauge 8. Back side of blade gauge 9. Mini planer blade

4. Loosely attach the adjusting plate to the set plate with the screws. Put the adjusting plate and set plate on the blade gauge. Fit the planer blade locating lugs on the set plate into the mini planer blade groove.

5. Apply the heel of the adjusting plate onto the back side of the blade gauge and tighten the screws. Check the alignments carefully to ensure uniform cutting.

6. Slip the heel of the adjusting plate into the groove of the drum.

7. Put the drum cover on the set plate and loosely fit them onto the drum with the three bolts. Slip the mini planer blade into the space between the drum and set plate. Make sure that the planer blade locating lugs on the set plate fit in the mini planer blade groove.

► **Fig.9:** 1. Mini planer blade 2. Groove 3. Set plate 4. Bolts 5. Drum cover 6. Drum 7. Adjusting plate

8. Adjust the mini planer blade position lengthway so that the blade ends are clear and equidistant from the housing on one side and the metal bracket on the other.

9. Tighten the three bolts with the socket wrench provided and rotate the drum to check the clearances between the blade ends and the tool body.

10. Check the three bolts for final tightness.

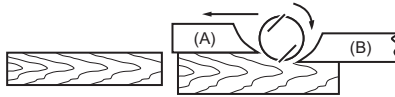
11. Repeat the procedure above for the other blade.

## For the correct planer blade setting

Your planing surface will end up rough and uneven, unless the planer blade is set properly and securely. The planer blade must be mounted so that the cutting edge is absolutely level, that is, parallel to the surface of the rear base. Refer to some examples below for proper and improper settings.

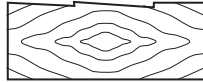
- (A) Front base (Movable shoe)
- (B) Rear base (Stationary shoe)

Correct setting



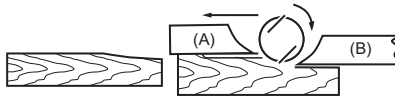
Although this side view cannot show it, the edges of the blades run perfectly parallel to the rear base surface.

Nicks in surface



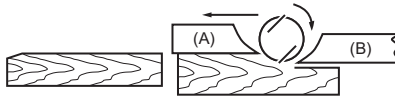
Cause: One or both blades fails to have edge parallel to rear base line.

Gouging at start



Cause: One or both blade edges fails to protrude enough in relation to rear base line.

Gouging at end



Cause: One or both blade edges protrudes too far in relation to rear base line.

## Connecting a vacuum cleaner

**NOTE:** In some countries, the nozzle may not be included in the tool package as standard accessory.

► Fig.10

### For tool with nozzle

Connect a hose of the vacuum cleaner to the nozzle.

### For tool without nozzle

1. Remove the chip cover from the tool.
2. Install the nozzle on the tool using the screws.
3. Connect a hose of the vacuum cleaner to the nozzle.

## Nozzle cleaning

Clean the nozzle regularly.  
Use a compressed air to clean the clogged nozzle.

## OPERATION

**⚠ WARNING:** To reduce the risk of injury to persons, do not operate without nozzle or chip cover in place.

Hold the tool firmly with one hand on the knob and the other hand on the switch handle when performing the tool.

## Planing operation

► Fig.11: 1. Start 2. End

Apply the tool front base flat upon the workpiece surface without the planer blades contacting the workpiece. Switch on and wait until the blades attain full speed. Then move the tool gently forward at a uniform speed. Apply pressure on the front of tool at the start of planing, and on the rear at the end of planing.

The speed and depth of cut determine the finish. To obtain a good surface finish, plane deeply until you get near the desired depth, and then plane thinly and slowly for the final pass.

## Shiplapping (Rabbeting)

► Fig.12

To make a stepped cut as shown in the figure, use the edge fence (guide rule).

Draw a cutting line on the workpiece. Insert the edge fence into the hole in the front of the tool. Align the blade edge with the cutting line.

► Fig.13: 1. Blade edge 2. Cutting line

Adjust the edge fence until it comes in contact with the side of the workpiece, then secure it by tightening the screw.

► Fig.14: 1. Screw 2. Edge fence

When planing, move the tool with the edge fence flush with the side of the workpiece. Otherwise uneven planing may result.



► **Fig.15**

Maximum shiplapping (rabbeting) depth is 9 mm (11/32").

You may wish to add to the length of the fence by attaching an extra piece of wood. Convenient holes are provided in the fence for this purpose, and also for attaching an extension guide (optional accessory).

► **Fig.16**

**NOTE:** The shape of the guide rule is differ from country to country. In some country, the guide rule is not included as a standard accessory.

## Chamfering

► **Fig.17**

► **Fig.18**

To make a chamfering cut as shown in the figure, align the "V" groove in the front base with the edge of the workpiece and plane it.

## MAINTENANCE

**⚠ CAUTION:** Always be sure that the tool is switched off and unplugged before attempting to perform inspection or maintenance.

**⚠ CAUTION:** Never use gasoline, benzine, thinner, alcohol or the like. Discoloration, deformation or cracks may result.

## Sharpening the planer blades

*For conventional planer blades only*

Always keep your planer blades sharp for the best performance possible. Use the sharpening holder (optional accessory) to remove nicks and produce a fine edge.

► **Fig.19:** 1. Sharpening holder

First, loosen the two wing nuts on the holder and insert the planer blades (A) and (B), so that they contact the sides (C) and (D). Then tighten the wing nuts.

► **Fig.20:** 1. Wing nut 2. Planer blade (A) 3. Planer blade (B) 4. Side (D) 5. Side (C)

Immerse the dressing stone in water for 2 or 3 minutes before sharpening. Hold the holder so that the both blades contact the dressing stone for simultaneous sharpening at the same angle.

► **Fig.21**

## Replacing carbon brushes

► **Fig.22:** 1. Limit mark

Remove and check the carbon brushes regularly. Replace when they wear down to the limit mark. Keep the carbon brushes clean and free to slip in the holders. Both carbon brushes should be replaced at the same time. Use only identical carbon brushes.

Use a screwdriver to remove the chip cover or nozzle.

► **Fig.23:** 1. Chip cover or Nozzle 2. Screwdriver

Use a screwdriver to remove the brush holder caps. Take out the worn carbon brushes, insert the new ones and secure the brush holder caps.

► **Fig.24:** 1. Brush holder cap 2. Screwdriver

To maintain product SAFETY and RELIABILITY, repairs, any other maintenance or adjustment should be performed by Makita Authorized or Factory Service Centers, always using Makita replacement parts.

## SPECIFIKATIONER

<b>Modell:</b>		<b>M1902</b>
Hyvelbredd		82 mm
Hyveldjup		1 mm
Falsningsdjup		9 mm
Hastighet utan belastning		16 000 min <sup>-1</sup>
Total längd	Utan fot	278 mm
	Med fot	285 mm
Nettovikt		2,8 kg
Säkerhetsklass		□/II

- På grund av vårt pågående program för forskning och utveckling kan dessa specifikationer ändras utan föregående meddelande.
- Specifikationer kan variera mellan olika länder.
- Vikt enligt EPTA-procedur 01/2014

### Avsedd användning

Verktøget är avsett för hyvling av trä.

### Strömförsörjning

Maskinen får endast anslutas till elnät med samma spänning som anges på typplåten och med enfasig växelström. De är dubbelisolerade och får därför också anslutas i ojordade vägguttag.

### Buller

Den normala bullernivån för A-belastning är bestämd enligt EN62841-2-14:

Ljudtrycksnivå ( $L_{pA}$ ): 84 dB (A)

Ljudeffektnivå ( $L_{WA}$ ): 95 dB (A)

Måttolerans (K): 3 dB (A)

**OBS:** Det deklarerade bullervärdet har uppmätts i enlighet med standardtestmetoden och kan användas för jämförandet av en maskin med en annan.

**OBS:** Det deklarerade bulleremissionsvärdet kan också användas i en preliminär bedömning av exponering för vibration.

**⚠ VARNING:** Använd hörselskydd.

**⚠ VARNING:** Bulleremissionen under faktisk användning av maskinen kan skilja sig från det deklarerade värdet, beroende på hur maskinen används och särskilt vilken typ av arbetsstycke som behandlas.

**⚠ VARNING:** Var noga med att identifiera säkerhetsåtgärder för att skydda användaren, vilka är grundade på en uppskattning av graden av exponering för vibrationer under de faktiska användningsförhållandena, (ta, förutom avtryckartiden, med alla delar av användarcykeln i beräkningen, som till exempel tiden då maskinen är avstängd och när den går på tomgång).

### Vibration

Det totala vibrationsvärdet (treaxlad vektorsumma) bestämt enligt EN62841-2-14:

Arbetsläge: yt slipning

Vibrationsemission ( $a_{hv}$ ): 3,0 m/s<sup>2</sup>

Måttolerans (K): 1,5 m/s<sup>2</sup>

**OBS:** Det deklarerade totala vibrationsvärdet har uppmätts i enlighet med standardtestmetoden och kan användas för jämförandet av en maskin med en annan.

**OBS:** Det deklarerade totala vibrationsvärdet kan också användas i en preliminär bedömning av exponering för vibration.

**⚠ VARNING:** Vibrationsemissionen under faktisk användning av maskinen kan skilja sig från det deklarerade värdet, beroende på hur maskinen används och särskilt vilken typ av arbetsstycke som behandlas.

**⚠ VARNING:** Var noga med att identifiera säkerhetsåtgärder för att skydda användaren, vilka är grundade på en uppskattning av graden av exponering för vibrationer under de faktiska användningsförhållandena, (ta, förutom avtryckartiden, med alla delar av användarcykeln i beräkningen, som till exempel tiden då maskinen är avstängd och när den går på tomgång).

### EG-försäkran om överensstämmelse

*Gäller endast inom EU*

EG-försäkran om överensstämmelse inkluderas som bilaga A till denna bruksanvisning.

# SÄKERHETSVARNINGAR

## Allmänna säkerhetsvarningar för maskiner

**⚠ VARNING:** Läs alla säkerhetsvarningar, anvisningar, illustrationer och specifikationer som medföljer det här maskinen. Underlåtenhet att följa instruktionerna kan leda till elstötar, brand och/eller allvarliga personskador.

## Spara alla varningar och instruktioner för framtida referens.

Termen "maskin" som anges i varningarna hänvisar till din eldrivna maskin (sladdansluten) eller batteridrivna maskin (sladdlös).

## Säkerhetsvarningar för hyvel

1. Vänta tills hyveln har stannat innan du ställer ned verktyget. Ett roterande hyvelverktyg kan gripa tag i underlaget med förlorad kontroll och allvarliga personskador som följd.
2. Håll verktyget i de isolerade greppytorna då flistuggen kan komma i kontakt med sin egen kabel. Om verktyget kommer i kontakt med en strömförande ledning blir dess metalldelar strömförande och kan ge operatören en elektrisk stöt.
3. Använd tvingar eller liknande för att säkra och stödja arbetsstycket på ett stabilt underlag. Att hålla arbetsstycket i händerna eller mot kroppen ger inte tillräckligt stöd, och du riskerar då att förlora kontrollen.
4. Trasor, tyg, sladdar, snören och dylikt får inte finnas i och omkring arbetsområdet.
5. Undvik att säga i spik. Kontrollera arbetsstycket och ta bort alla spikar före arbetet påbörjas.
6. Använd endast vassa blad. Hantera bladen med största försiktighet.
7. Se till att bladets bultar är ordentligt åtdragna innan arbetet påbörjas.
8. Håll verktyget stadigt med båda händerna.
9. Håll händerna på behörigt avstånd från roterande delar.
10. Låt verktyget vara igång en stund innan det används på arbetsstycket. Kontrollera att klingan inte vibrerar eller skakar vilket kan innebära att den är felaktigt monterad eller dåligt balanserad.
11. Se till att bladet inte är i kontakt med arbetsstycket innan du trycker på avtryckaren.
12. Vänta tills bladet uppnår full hastighet innan du börjar fräsa arbetsstycket.
13. Stäng alltid av verktyget och vänta tills bladen har stannat helt innan du utför några justeringar.
14. Stick aldrig in fingret i spånrännan. Spånrännan kan bli igentäppt vid kapning av fuktigt trä. Rensa bort spån med en pinne.
15. Lämna inte maskinen igång. Använd endast maskinen när du håller den i händerna.
16. Byt alltid båda bladen eller skydden på trumman för att undvika att obalansen orsakar vibrationer och verktygets livslängd därigenom förkortas.
17. Använd endast Makitas blad som specificeras i den här bruksanvisningen.

18. Använd alltid dammask eller andningsrespirator som är anpassad efter det material du arbetar med och de förhållanden du arbetar under.

## SPARA DESSA ANVISNINGAR.

**⚠ VARNING:** GLÖM INTE att också fortsättningsvis strikt följa säkerhetsanvisningarna för maskinen även efter att du blivit van att använda den.

Vid FELAKTIG HANTERING av maskinen eller om inte säkerhetsanvisningarna i denna bruksanvisning följs kan följden bli allvarliga personskador.

## FUNKTIONSBESKRIVNING

**⚠ FÖRSIKTIGT:** Se alltid till att maskinen är avstängd och nätsladden urdragen innan du justerar eller funktionskontrollerar maskinen.

## Ställa in hyvlingsdjup

► Fig.1: 1. Pekare 2. Ratt

Hyvlingsdjupet kan enkelt ställas in genom att vrida på rattan på verktygets främre del så att pekaren indikerar önskat hyvlingsdjup.

## Avtryckarens funktion

► Fig.2: 1. Avtryckare 2. Låsknapp eller startspärr

**⚠ FÖRSIKTIGT:** Innan du ansluter maskinen till elnätet ska du kontrollera att avtryckaren fungerar och återgår till läget "OFF" när du släpper den.

## För verktyg med låsknapp

**⚠ FÖRSIKTIGT:** Knappen kan låsas i läget "ON" (på) för att underlätta användning när verktyget används under en längre tid. Iaktta försiktighet när du låser verktyget i läget "ON" (på), och fortsätt att hålla ett stadigt grepp om verktyget.

Tryck in avtryckaren för att starta verktyget. Släpp avtryckaren för att stanna verktyget. För kontinuerlig användning trycker du först in avtryckaren och sedan låsknappen. Tryck in avtryckaren helt och släpp den sedan för att stoppa verktyget när det är i låst läge.

## För verktyg med startspärr

En startspärr förhindrar oavsiktlig aktivering av avtryckaren.

Starta verktyget genom att först trycka in startspärren och sedan avtryckaren. Släpp avtryckaren för att stanna verktyget.

**⚠ FÖRSIKTIGT:** Tryck inte in avtryckaren hårt utan att först ha tryckt in startspärren. I annat fall kan avtryckaren skadas.

## Fot

### Landsspecifik

► **Fig.3:** 1. Hyvelblad 2. Bakre basplatta 3. Fot

Lyft verktygets bakända efter avslutat hyvlingarbete så att foten kommer ut från den bakre basplattan. Därigenom förhindras att hyvelbladen skadas.

## MONTERING

**⚠ FÖRSIKTIGT:** Se alltid till att maskinen är avstängd och nätsladden utdragen innan maskinen repareras.

### Demontera eller montera hyvelblad

**⚠ FÖRSIKTIGT:** Dra åt monteringsbultarna ordentligt vid montering av hyvelblad på verktyget. En lös monteringsbult kan vara farlig. Kontrollera alltid att bultarna är ordentligt åtdragna.

**⚠ FÖRSIKTIGT:** Hantera hyvelbladen med största försiktighet. Använd handskar eller trasor för att skydda dina fingrar eller händer när du demonterar eller monterar bladen.

**⚠ FÖRSIKTIGT:** Använd endast medföljande nyckel från Makita för att montera eller demontera hyvelbladen. Underlåtelse att göra detta kan leda till att monteringsbultarna dras åt för hårt eller för löst. Detta kan leda till personskador.

### För verktyg med konventionella hyvelblad

Skruva ur monteringsbultarna med insexnyckeln för att ta bort hyvelbladen på trumman. Trumskyddet lossnar tillsammans med bladen.

► **Fig.4:** 1. Insexnyckel 2. Bultar

► **Fig.5:** 1. Bultar 2. Trumma 3. Hyvelblad  
4. Trumskydd 5. Inställningsplatta 6. Spår

Montera hyvelbladen genom att följa nedanstående steg.

1. Rensa bort spån och främmande partiklar som sitter i trumman och hyvelbladen.
2. Välj hyvelblad av samma dimensioner och vikt. I annat fall kommer trumman att oscillera/vibrera, vilket leder till dålig hyvling och i slutändan till att verktyget går sönder.
3. Använd inställningsmallen för att ställa in hyvelbladen korrekt. Placera hyvelbladet på inställningsmallen. Placera bladets skärande egg på inställningsmallens inre flank.  
► **Fig.6:** 1. Inställningsmallens inre flank 2. Bladegg 3. Hyvelblad 4. Inställningsplatta 5. Skruvar 6. Klack 7. Baksidan av inställningsmallen 8. Inställningsmall

4. Placera inställningsplattan på hyvelbladet. Tryck på inställningsplattan så att dess klack ligger jäms med baksidan av inställningsmallen. Dra åt de två skruvarna på inställningsplattan.

5. För in inställningsplattans klack i trumspåret och passa sedan in trumskyddet över den.

6. Dra åt alla monteringsbultarna jämnt och växelvis med insexnyckeln.

7. Upprepa ovanstående procedur för det andra bladet.

### För verktyg med minihyvelblad

Byt ut minihyvelbladen genom att följa nedanstående steg.

1. Rengör försiktigt trummans ytor och trumskyddet.

2. Skruva ur de tre monteringsbultarna med insexnyckeln. Ta bort trumskyddet, inställningsplattan, fixeringsplattan och minihyvelbladet.  
► **Fig.7:** 1. Insexnyckel 2. Bultar

3. Använd inställningsmallen för att ställa in hyvelbladen korrekt. Placera minihyvelbladet på inställningsmallen. Placera bladets skärande egg på inställningsmallens inre flank.  
► **Fig.8:** 1. Skruvar 2. Inställningsplatta 3. Styrklackar för hyvelblad 4. Inställningsplattans klack 5. Fixeringsplatta 6. Inställningsmallens inre flank 7. Inställningsmall 8. Baksidan av inställningsmallen 9. Minihyvelblad

4. Fäst inställningsplattan löst mot fixeringsplattan med skruvarna. Placera inställningsplattan och fixeringsplattan på inställningsmallen. Passa in hyvelbladets styrklackar på fixeringsplattan efter minihyvelbladets spår.

5. Placera inställningsplattans klack på baksidan av inställningsmallen och dra åt skruvarna. Kontrollera inriktningarna noga för att försäkra dig om att hyvlingen blir jämn.

6. Skjut in inställningsplattans klack i spåret på trumman.

7. Placera trumskyddet över fixeringsplattan och fäst dem löst på trumman med de tre bultarna. Skjut in minihyvelbladet i utrymmet mellan trumman och fixeringsplattan. Se till att hyvelbladets styrklackar på fixeringsplattan passar i minihyvelbladets spår.  
► **Fig.9:** 1. Minihyvelblad 2. Spår 3. Fixeringsplatta 4. Bultar 5. Trumskydd 6. Trumma 7. Inställningsplatta

8. Justera minihyvelbladets längsgående position så att bladets ändar är fria och har samma avstånd från huset på ena sidan och metallstödet på den andra sidan.

9. Dra åt de tre bultarna med medföljande hylsnyckel och rotera trumman för att kontrollera spelrummet mellan bladets ändar och verktygshuset.

10. Kontrollera att de tre bultarna är ordentligt åtdragna.

11. Upprepa ovanstående procedur för det andra bladet.

## Gör enligt följande för att få rätt inställning av hyvelbladet

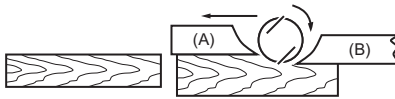
Den hyvlade ytan kommer att bli raspig och ojämn om inte hyvelbladet är rätt inställt och ordentligt fastsatt. Hyvelbladet måste monteras så att dess skärande egg är helt i linje med (det vill säga parallellt med) den bakre bottenplattans yta.

Nedan följer några exempel på korrekta och felaktiga inställningar.

(A) Främre bottenplatta (rörlig sko)

(B) Bakre bottenplatta (fast sko)

Korrekt inställning



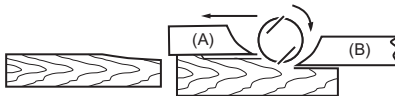
Även om det inte syns på denna sidovy så ligger bladeggen helt parallellt med den bakre bottenplattans yta.

Hack i ytan



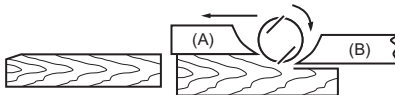
Orsak: Ett av bladen eller båda bladen har inte eggen parallell med den bakre bottenplattans linje.

Mejsling i början



Orsak: Eggen på ett av bladen eller båda bladen sticker inte ut tillräckligt i förhållande till den bakre bottenplattans linje.

Mejsling i slutet



Orsak: Eggen på ett av bladen eller båda bladen sticker ut för långt i förhållande till den bakre bottenplattans linje.

## Anslutning av en dammsugare

**OBS:** I vissa länder kanske munstycket inte är inkluderat i maskinpaketet som standardtillbehör.

► Fig.10

## För maskin med munstycke

Anslut en dammsugarslang till munstycket.

## För maskin utan munstycke

1. Ta bort spånkåpan från maskinen.
2. Skruva fast munstycket på maskinen med skruvarna.
3. Anslut en dammsugarslang till munstycket.

## Rengöring av munstycket

Rengör munstycket noga.

Använd tryckluft för att göra rent igensatta munstycken.

## ANVÄNDNING

**⚠ VARNING:** För att minska risken för person skador får den inte användas utan munstycket eller spånhöljat på plats.

Håll verktyget i ett fast grepp med ena handen på ratten och den andra handen på handtaget när du använder verktyget.

## Hyvlingsarbete

► Fig.11: 1. Start 2. Slut

Placera framkanten av verktygets undersida platt mot arbetsstycket utan att hyvelbladen ligger mot arbetsstycket. Sätt igång verktyget och vänta tills bladen uppnått full hastighet. För sedan verktyget varsamt framåt i en jämn hastighet. Tryck ned verktygets framkant vid början av hyvlingen och bakändan vid slutet av hyvlingen.

Hyvlingens hastighet och djup bestämmer resultatet. Du får ett bra resultat genom att först hyvla djupt tills du kommer i närheten av det önskade djupet och sedan hyvla tunt och långsamt den sista biten.

## Falsning (notfräsning)

► Fig.12

Använd sidoanslaget (styrregeln) för att utföra en trappfalsning enligt vad som visas i figuren.

Märk ut önskad falsbredd med en linje på arbetsstycket. För in sidoanslaget i hålet på verktygets framsida. Rikta in bladets egg efter märklinjen.

► Fig.13: 1. Bladegg 2. Märklinje

Justera sidoanslaget så att det kommer i kontakt med sidan av arbetsstycket och fäst det sedan genom att dra åt skruven.

► Fig.14: 1. Skruv 2. Sidoanslag

För verktyget med sidoanslaget plant mot sidan av arbetsstycket vid hyvling. I annat fall kan hyvlingen bli ojämn.

### ► Fig.15

Maximalt falsdjup (notdjup) är 9 mm.

Du kan sätta på ett extra trästycke på anslaget för att förlänga det. Det finns hål i anslaget för detta ändamål och även för att sätta fast en anslagsförlängning (extra tillbehör).

### ► Fig.16

**OBS:** Styrregelns form varierar från land till land. I vissa länder ingår inte styrregeln som ett standardtillbehör.

## Fasning

### ► Fig.17

### ► Fig.18

Rikta in V-spåret i främre bottenplattan efter arbetsstyckets kant och hyvla det för att utföra en fasning enligt vad som visas i figuren.

## UNDERHÅLL

**⚠ FÖRSIKTIGT:** Se alltid till att maskinen är avstängd och nätkabeln urdragen innan inspektion eller underhåll utförs.

**⚠ FÖRSIKTIGT:** Använd inte bensin, förtunningsmedel, alkohol eller liknande. Missfärgning, deformation eller sprickor kan uppstå.

## Slipa hyvelbladen

### *Gäller endast konventionella hyvelblad*

Håll alltid hyvelbladen vassa för bästa möjliga hyvlingresultat. Använd slipningshållaren (extra tillbehör) för att avlägsna hack och för att ge en fin egg.

► **Fig.19:** 1. Slipningshållare

Lossa först de två vingmuttrarna på hållaren och för in hyvelbladen (A) och (B) så att de ligger mot sidorna (C) och (D). Dra sedan åt vingmuttrarna.

► **Fig.20:** 1. Vingmutter 2. Hyvelblad (A) 3. Hyvelblad (B) 4. Sida (D) 5. Sida (C)

Låt brynstenen ligga i vatten i 2 till 3 minuter före slipningen. Håll hållaren så att båda bladen ligger mot brynstenen för samtidig slipning i samma vinkel.

► **Fig.21**

## Byte av kolborstar

► **Fig.22:** 1. Slitagemarkering

Ta bort och kontrollera kolborstarna regelbundet. Byt ut dem när de är slitna ner till slitmarkeringen. Håll kolborstarna rena så att de lätt kan glida in i hållarna. Båda kolborstarna bör bytas ut samtidigt. Använd endast identiska kolborstar.

Använd en skruvmejsel för att avlägsna spånskyddet eller munstycket.

► **Fig.23:** 1. Spånskydd eller munstycke 2. Skruvmejsel

Använd en skruvmejsel för att ta bort locken till kolborstarna. Ta ur de utslitna kolborstarna, montera nya och montera locken.

► **Fig.24:** 1. Lock till kolborstar 2. Skruvmejsel

För att upprätthålla produktens SÄKERHET och TILLFÖRLITLIGHET bör allt underhålls- och justeringsarbete utföras av ett auktoriserat Makita servicecenter och med reservdelar från Makita.

## TEKNISKE DATA

<b>Modell:</b>		<b>M1902</b>
Høvelbredde		82 mm
Høveldybde		1 mm
Panelhøvlingsdybde		9 mm
Hastighet uten belastning		16 000 min <sup>-1</sup>
Total lengde	Uten fot	278 mm
	Med fot	285 mm
Nettovekt		2,8 kg
Sikkerhetsklasse		□/II

- På grunn av vårt kontinuerlige forsknings- og utviklingsprogram kan spesifikasjonene som oppgis i dette dokumentet endres uten varsel.
- Spesifikasjonene kan variere fra land til land.
- Vekt i henhold til EPTA-prosedyre 01/2014

### Riktig bruk

Denne maskinen er laget for å jevne tre.

### Strømforsyning

Maskinen må bare kobles til en strømkilde med samme spenning som vist på typeskiltet, og kan bare brukes med enfase-vekselstrømforsyning. Den er dobbelt verneisoleret og kan derfor også brukes fra kontakter uten jording.

### Støy

Typisk A-vektet lydtrykknivå er bestemt i henhold til EN62841-2-14:

Lydtrykknivå ( $L_{pA}$ ) : 84 dB (A)

Lydeffektnivå ( $L_{WA}$ ) : 95 dB (A)

Usikkerhet (K): 3 dB (A)

**MERK:** Den/de oppgitte verdien(e) for genererte vibrasjoner har blitt målt i henhold til standard testmetoder, og kan bli brukt til å sammenligne ett verktøy med et annet.

**MERK:** Den/de angitte verdien(e) for de genererte vibrasjonene kan også brukes til en foreløpig vurdering av eksponeringen.

**⚠ ADVARSEL:** Bruk hørselsvern.

**⚠ ADVARSEL:** De genererte vibrasjonene ved faktisk bruk av elektroverktøyet kan avvike fra den/de angitte vibrasjonsverdien(e), avhengig av hvordan verktøyet brukes.

**⚠ ADVARSEL:** Sørg for å identifisere vernetiltak for å beskytte operatøren, som er basert på et estimat av eksponeringen under de faktiske bruksforholdene (idet det tas hensyn til alle deler av driftssyklusen, dvs. hvor lenge verktøyet er slått av, hvor lenge det går på tomgang og hvor lenge startbryteren faktisk holdes trykket).

### Vibrasjoner

Den totale vibrasjonsverdien (triaksial vektorsum) bestemt i henhold EN62841-2-14:

Arbeidsmodus: overflatesliping

Genererte vibrasjoner ( $a_{h}$ ) : 3,0 m/s<sup>2</sup>

Usikkerhet (K): 1,5 m/s<sup>2</sup>

**MERK:** Den/de oppgitte verdien(e) for totalt genererte vibrasjoner har blitt målt i henhold til standard testmetoder, og kan bli brukt til å sammenligne ett verktøy med et annet.

**MERK:** Den/de angitte verdien(e) for totalt genererte vibrasjoner kan også brukes til en foreløpig vurdering av eksponeringen.

**⚠ ADVARSEL:** De genererte vibrasjonene ved faktisk bruk av elektroverktøyet kan avvike fra den/de angitte vibrasjonsverdien(e), avhengig av hvordan verktøyet brukes og spesielt i forhold til arbeidsstykket som blir behandlet.

**⚠ ADVARSEL:** Sørg for å identifisere vernetiltak for å beskytte operatøren, som er basert på et estimat av eksponeringen under de faktiske bruksforholdene (idet det tas hensyn til alle deler av driftssyklusen, dvs. hvor lenge verktøyet er slått av, hvor lenge det går på tomgang og hvor lenge startbryteren faktisk holdes trykket).

### EFs samsvarserklæring

*Gjelder kun for land i Europa*

EFs samsvarserklæring er lagt til som vedlegg A i denne bruksanvisningen.

# SIKKERHETSADVARSEL

## Generelle advarsler angående sikkerhet for elektroverktøy

**⚠ADVARSEL:** Les alle sikkerhetsadvarsler, instruksjoner, illustrasjoner og spesifikasjoner som følger med dette elektroverktøyet. Hvis ikke alle instruksjonene nedenfor følges, kan det forekomme elektrisk støt, brann og/eller alvorlig skade.

## Oppbevar alle advarsler og instruksjoner for senere bruk.

Uttrykket «elektrisk verktøy» i advarslene refererer både til elektriske verktøy (med ledning) tilkoblet strømmettet, og batteridrevne verktøy (uten ledning).

## Sikkerhetsanvisning for høvel

1. **Vent til kutteren er avslått, før du setter maskinen fra deg.** En utsatt roterende kutter kan komme bort i overflaten og føre til mangel på kontroll og dermed alvorlig personskade.
2. **Hold verktøyet i det isolerte håndtaket, da kutteren kan komme i kontakt med sin egen ledning.** Hvis en strømførende ledning kuttes, vil uisolerte metalldele av elektroverktøyet bli strømførende og kan gi brukeren elektrisk støt.
3. **Bruk klemmer eller en annen praktisk måte for å sikre og støtte arbeidsstykket på en stabil plattform.** Hvis du holder arbeidsstykket med hånden eller mot kroppen, kan det bli ustabilt og føre til at du mister kontrollen.
4. **Filler, kluter, ledninger, strenger og lignende bør aldri bli liggende rundt arbeidsområdet.**
5. **Unngå å skjære i spiker.** Se etter og fjern alle spikre fra arbeidsstykket, før arbeidet påbegynnes.
6. **Bruk sagblader som er riktig kvasset.** Bladene skal håndteres meget forsiktig.
7. **Vær sikker på at boltene er skikkelig festet, før du starter maskinen.**
8. **Hold verktøyet godt fast med begge hender.**
9. **Hold hendene unna roterende deler.**
10. **La maskinen gå en liten stund, før du begynner å bruke på et arbeidsstykke.** Se etter vibrasjoner eller vinging som kan tyde på at bladet er dårlig balansert.
11. **Forvisse deg om at bladet ikke er i kontakt med arbeidsstykket, før du slår på startbryteren.**
12. **Vent til bladet har full hastighet før du skjærer.**
13. **Før du justerer noe som helst, må du alltid slå av maskinen og vente til bladene har stoppet helt.**
14. **Stikk aldri fingrene inn i bitrenna.** Renna kan kjøre seg fast når du kutter fuktig tre. Fjerne fliser med en pinne.
15. **Ikke gå fra verktøyet mens det er i gang.** Du må kun bruke verktøyet mens du holder det i hendene.
16. **Estatt alltid begge bladene eller dekslene på trommelen, ellers kan ubalansen forårsake vibrering og forkorte maskinens levetid.**
17. **Bruk kun Makita-blader som angitt i denne håndboken.**
18. **Bruk alltid korrekt støvmaske/pustemaske for materialet og bruksområdet du arbeider med.**

## TA VARE PÅ DISSE INSTRUKSENE.

**⚠ADVARSEL:** IKKE LA hensynet til hva som er "behagelig" eller det faktum at du kjenner produktet godt (etter mange gangers bruk) gjøre deg mindre oppmerksom på sikkerhetsreglene for bruken av det aktuelle produktet. Ved MISBRUK eller hvis ikke sikkerhetsreglene i denne bruksanvisningen følges, kan det oppstå alvorlig personskade.

## FUNKSJONSBEKRIVELSE

**⚠FORSIKTIG:** Forvisse deg alltid om at maskinen er slått av og støpselet trukket ut av kontakten før du justerer eller kontrollerer de mekaniske funksjonene.

## Justere skjæredybdn

► Fig.1: 1. Peker 2. Knott

Du kan justere høvlingsdybdn enkelt og greit ved å dreie på knappen på forsiden av maskinen, så pekeren peker på den ønskede høvlingsdybdn.

## Bryterfunksjon

► Fig.2: 1. Startbryter 2. Sperreknapp/AV-sperreknapp

**⚠FORSIKTIG:** Før du kobler maskinen til strømmettet, må du alltid kontrollere at startbryteren aktiverer maskinen på riktig måte og går tilbake til «AV»-stilling når den slippes.

## For verktøy med sperreknapp

**⚠FORSIKTIG:** Bryteren kan sperres i "ON"-stilling for å gjøre det lettere for operatøren ved langvarig bruk. Vær forsiktig når du sperrer verktøyet i "ON"-stilling, og hold det godt fast.

Trykk på startbryteren for å starte verktøyet. Slipp opp bryteren for å stanse verktøyet. For kontinuerlig bruk må du trykke inn startbryteren og deretter sperreknappen. Hvis du vil stanse verktøyet mens det er låst i "PÅ"-stilling, må du trykke startbryteren helt inn og så slippe den igjen.

## For verktøy med AV-sperreknapp

For å unngå at startbryteren trykkes inn ved en feiltakelse er maskinen utstyrt med en AV-sperreknapp. Trykk på avsperringsknappen og startbryteren for å starte saken. Slipp opp bryteren for å stanse verktøyet.

**⚠FORSIKTIG:** Ikke trykk hardt på startbryteren uten å trykke på AV-sperreknappen. Dette kan brette bryteren.

## Fot

### Landsspesifikk

► Fig.3: 1. Høvelblad 2. Bakfot 3. Fot

Etter høvling, må du heve baksiden av verktøyet og foten kommer ut fra bakfoten. Dette forhindrer at høvelbladene skades.



# MONTERING

**⚠️FORSIKTIG:** Forviss deg alltid om at maskinen er slått av og støpselet trukket ut av kontakten før du utfører noe arbeid på maskinen.

## Demontere eller montere høvelblader

**⚠️FORSIKTIG:** Stram bladmonteringskruene godt når du fester høvelbladene til verktøyet. En løs monteringskruer kan være farlig. Sjekk alltid at skruene er godt festet.

**⚠️FORSIKTIG:** Hånder høvelbladene meget forsiktig. Bruk hansker eller filler for å beskytte fingrene og hendene dine når du demonterer eller monterer bladene.

**⚠️FORSIKTIG:** Bruk bare Makita-nøkkelen som følger med til å montere eller demontere høvelbladet. Hvis du ikke gjør dette, vil monteringskruen kunne bli for hardt eller løst trukket til. Dette vil kunne forårsake skader.

## For maskin med vanlige høvelblad

For å demontere høvelbladene på trommelen må du løse monteringskruene med sekskantnøkkelen. Trommeldekslet kan tas av sammen med bladene.

► **Fig.4:** 1. Sekskantnøkkel 2. Bolter

► **Fig.5:** 1. Bolter 2. Trommel 3. Høvelblad  
4. Trommeldeksel 5. Justeringsplate 6. Spor

Bruk følgende trinn for å montere høvelbladet.

1. Pass på å fjerne flis og fremmedlegemer som kleber til trommelen og høvelbladene.
2. Velg høvelblad med samme mål og vekt. Hvis ikke, vil det oppstå svingninger/vibrasjon i trommelen, noe som resulterer i dårlig høvelfunksjon og til slutt totalt sammenbrudd.
3. Bruk bladmåleren til å feste høvelbladene ordentlig. Plasser høvelbladet på bladmåleren. Bruk skjærekanten av bladet på innsidenvangen på bladmåleren.  
► **Fig.6:** 1. Innsidenvangen på bladmåleren 2. Bladkant 3. Høvelblad 4. Justeringsplate 5. Skruer 6. Hæl 7. Baksiden på bladmåleren 8. Bladmåler
4. Plasser justeringsplaten på høvelbladet. Trykk ned justeringsplaten hæl, slik at den er i flukt med baksiden av bladmåleren. Stram skruene på justeringsplaten.
5. Skyv bakkanten på justeringsplaten inn i sporet på trommelen, og fest trommeldekslet på den.
6. Bytt på å stramme alle monteringskruene jevnt med sekskantsnøkkelen.
7. Gjenta ovenstående prosedyre for det andre bladet.

## For verktøy med minihøvelblader

Bruk følgende trinn for å skifte ut minihøvelbladet.

1. Rengjør trommelens overflate og deksel forsiktig.
2. Skru løs de tre monteringskruene med sekskantsnøkkelen. Fjern trommeldekslet, justeringsplaten, innstillingsplaten og minihøvelbladet.  
► **Fig.7:** 1. Sekskantnøkkel 2. Bolter
3. Bruk bladmåleren til å feste høvelbladene ordentlig. Plasser minihøvelbladet på bladmåleren. Bruk skjærekanten av bladet på innsidenvangen på bladmåleren.  
► **Fig.8:** 1. Skruer 2. Justeringsplate 3. Plasseringstappene 4. Hælen på justeringsplaten 5. Innstillingsplate 6. Innsidenvangen på bladmåleren 7. Bladmåler 8. Baksiden på bladmåleren 9. Minihøvelblad
4. Fest justeringsplaten løst til innstillingsplaten med skruene. Plasser justeringsplaten og innstillingsplaten på bladmåleren. Fest plasseringstappene på innstillingsplaten på sporet til minihøvelbladet.
5. Påfør justeringsplaten hæl på baksiden av bladmåleren, og stram skruene. Sjekk innretningen nøye, for å sikre lik skjæring.
6. Skyv hælen på justeringsplaten inn i sporet i trommelen.
7. Fest trommeldekslet på innstillingsplaten. Fest disse løst på trommelen med tre skruer. Skyv minihøvelblad inn mellom trommelen og innstillingsplaten. Forviss deg om at plasseringstappene på innstillingsplaten passer på sporet til minihøvelbladet.  
► **Fig.9:** 1. Minihøvelblad 2. Spor 3. Innstillingsplate 4. Bolter 5. Trommeldeksel 6. Trommel 7. Justeringsplate
8. Sett minihøvelladets lengdejustering slik at bladene er frie og har samme avstand til huset på den ene siden og metallkonsollen på den andre.
9. Stram de tre boltene med den medfølgende pipenøkkelen og roter trommelen for å kontrollere at det er klaring mellom bladene og verktøyet.
10. Sjekk de tre boltene og stram til ytterligere om nødvendig.
11. Gjenta ovenstående prosedyre for det andre bladet.

## For korrekt høvelbladinnstilling

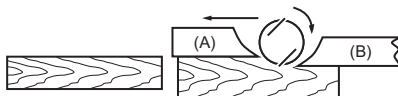
Høveloverflaten vil bli ru og ujevn hvis høvelbladet ikke stilles inn riktig og sikkert. Høvelbladet må monteres slik at skjærekanten er helt jevn, dvs. parallell med overflaten på bakfoten.

Under finner du eksempler på riktig og feil innstilling.

(A) Frontfoten (bevegelig bunnplate)

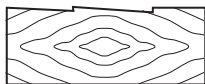
(B) Bakfoten (stasjonær bunnplate)

Riktig innstilling



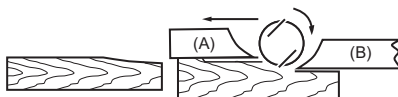
Selv om dette ikke kan sees fra siden, går kantene av bladene helt parallellt med bakfotens overflate.

Hakk i overflaten



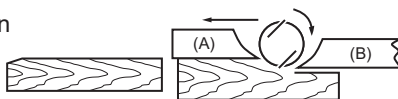
Årsak: En eller begge bladene klarte ikke å ha kanten parallellt med bakfotlinjen.

Uthuling ved start



Årsak: En eller begge bladkantene klarte ikke å stikke dypt nok i forhold til bakfotlinjen.

Uthuling ved enden



Årsak: En eller begge bladkantene stikker for dypt inn, i forhold til bakfotlinjen.

## Koble til støvsuger

**MERK:** I noen land er det er mulig at munnstykket ikke er inkludert som standardtilbehør i verktøypakken.

► Fig.10

## For maskin med munnstykke

Koble slangen på støvsugeren på munnstykket.

## For maskin uten munnstykke

1. Avtaking av spondekelet fra verktøyet.
2. Monter munnstykket på verktøyet med skruene.
3. Koble slangen på støvsugeren på munnstykket.

## Rengjøring av dysen

Gjør dysen ren jevnlig.

Bruk trykkluft til å rengjøre det tette munnstykket.

## BRUK

**⚠ ADVARSEL:** For å redusere faren for personskader må maskinen ikke brukes uten at munnstykket eller spondekelet på plass.

Hold maskinen fast med en hånd på knappen og den andre på bryterhåndtaket mens du bruker maskinen.

## Høvling

► Fig.11: 1. Start 2. Slutt

Plasser frontfoten til verktøyet flatt på overflaten til arbeidsemnet uten at høvelbladene rører arbeidstykket. Slå på og vent til bladene har oppnådd full hastighet. Skyv deretter verktøyet forsiktig fremover med jevn hastighet. Legg press på forsiden av verktøyet ved starten av høvlingen, og på baksiden mot slutten av høvlingen.

Hvilket sluttresultat du får avhenger av hastighet og kuttedybde. For å oppnå et godt sluttresultat må du høvle dypt, helt til du kommer ned til ønsket dybde. Deretter høvler du sakte og i tynne lag.

## Panelhøvling (falsing)

► Fig.12

For å lage et trinnvis kutt, som vist i figuren, må du bruke kantanlegget (føringslinjalen).

Tegn opp en skjærelinje på arbeidsemnet. Sett inn kantanlegget i hullet foran på maskinen. Rett inn bladkanten mot skjærelinjen.

► Fig.13: 1. Bladkant 2. Skjærelinje

Juster kantanlegget til det berører siden på arbeidsemnet og stram skruen for å sikre det.

► Fig.14: 1. Skru 2. Kantanlegg

Når du høvler, må du bevege verktøyet med kantanlegget i flukt med siden på arbeidsemnet. Ellers vil høvlingen bli ujevn.

### ► Fig.15

Maksimal panelhøvlingsdybde (falsedybde) er 9 mm.

Noen ganger ønsker du kanskje å forlenge anlegget ved å feste på et ekstra trestykke. Anlegget har praktiske hull til dette formålet. Det kan også festes en forlengelsesføring (valgfritt tilbehør) i hullene.

### ► Fig.16

**MERK:** Fasongen på føringslinjalen avhenger av land. I noen land medfølger føringslinjalen ikke som standardtilbehør.

## Skråfasing

### ► Fig.17

### ► Fig.18

For skjære en skråfasing, som vist i figuren, må du rette inn "V"-sporet i frontfoten mot kanten på arbeidsemnet og høvle det.

## VEDLIKEHOLD

**⚠FORSIKTIG:** Forviss deg alltid om at maskinen er slått av og støpselet trukket ut av kontakten før du foretar inspeksjon eller vedlikehold.

**⚠FORSIKTIG:** Aldri bruk gasolin, bensin, tynner alkohol eller lignende. Det kan føre til misfarging, deformering eller sprekkdannelse.

## Slipe høvelbladene

### *Kun for vanlige høvelblader*

Hold høvelbladene skarpe, slik at resultatene blir best mulig. Bruk slipeholderen (tilleggsutstyr) for å fjerne hakk og få en fin egg.

### ► Fig.19: 1. Slipeholder

Først må du løsne de to vingemutterne på holderen og sette inn høvelbladene (A) og (B), slik at de berører sidene (C) og (D). Stram vingemutteren godt.

### ► Fig.20: 1. Vingemutter 2. Høvelblad (A) 3. Høvelblad (B) 4. Side (D) 5. Side (C)

Legg pussesteinen i vann i 2 eller 3 minutter før sliping. Hold holderen slik at begge bladene berører pussesteinen, slik at bladene slipes samtidig i samme vinkel.

### ► Fig.21

## Skifte kullbørster

### ► Fig.22: 1. utskiftingsmerke

Ta ut og kontroller kullbørstene med jevne mellomrom. Bytt dem når de er slitt ned til utskiftingsmerket. Hold kullbørstene rene og fri til å bevege seg i holderne. Begge kullbørstene må skiftes samtidig. Bruk bare identiske kullbørster.

Bruk en skrutrekker til å fjerne spondekslet eller munnstykket.

### ► Fig.23: 1. Spondeksel eller munnstykke 2. Skrutrekker

Bruk en skrutrekker til å fjerne børsteholderhettene. Ta ut de slitte kullbørstene, sett i nye, og fest børsteholderhettene.

### ► Fig.24: 1. Børsteholderhette 2. Skrutrekker

For å opprettholde produktets SIKKERHET og PÅLITELIGHET, må reparasjoner, vedlikehold og justeringer utføres av autoriserte Makita servicesentre eller fabrikk-servicesentre, og det må alltid brukes reservedeler fra Makita.

## TEKNISET TIEDOT

Malli:	M1902	
Höyläysleveys	82 mm	
Höyläyssyvyys	1 mm	
Puoliponttaussyvyys	9 mm	
Kuormittamaton kierrosnopeus	16 000 min <sup>-1</sup>	
Kokonaispituus	Ilman jalkaa	278 mm
	Jalan kanssa	285 mm
Nettopaino	2,8 kg	
Suojausluokka	□/II	

- Jatkuvasta tutkimus- ja kehitystyöstämme johtuen esitetyt tekniset tiedot saattavat muuttua ilman erillistä ilmoitusta.
- Tekniset tiedot voivat vaihdella maittain.
- Paino EPTA-menetelmän 01/2014 mukainen

### Käyttötarkoitus

Työkalu on tarkoitettu puun höyläykseen.

### Virtalähde

Koneen saa kytkeä vain sellaiseen virtalähteeseen, jonka jännite on sama kuin arvokilvessä ilmoitettu, ja sitä saa käyttää ainoastaan yksivaiheisella vaihtovirralla. Laite on kaksinkertaisesti suojaeristetty ja siksi se voidaan kytkeä myös maadoittamattomaan pistorasiaan.

### Melutaso

Tyypillinen A-painotettu melutaso määräytyy standardin EN62841-2-14 mukaan:

Äänenpainetaso ( $L_{pA}$ ): 84 dB (A)

Äänen voiman taso ( $L_{WA}$ ): 95 dB (A)

Virhemarginaali (K): 3 dB (A)

**HUOMAA:** Ilmoitetut melutasoarvot on mitattu standarditestausten mukaisesti ja niiden avulla voidaan vertailla työkaluja keskenään.

**HUOMAA:** Ilmoitettuja melutasoarvoja voidaan käyttää myös altistumisen alustavaan arviointiin.

**VAROITUS:** Käytä kuulosuojaimia.

**VAROITUS:** Sähkötyökalun käytön aikana mitattu melutasoarvo voi poiketa ilmoitetuista arvoista laitteen käyttötavan ja erityisesti käsiteltävän työkappaleen mukaan.

**VAROITUS:** Selvitä käyttäjän suojaamiseksi tarvittavat varoimet todellisissa käyttöolosuhteissa tapahtuvan arvioidun altistumisen mukaisesti (ottaen huomioon käyttöjako kokonaisuudessaan, myös jaksot, joiden aikana laite on sammutettuna tai käy tyhjäkäynnillä).

### Tärinä

Kokonaistärinä (kolmen akselin vektorien summa) määräytyy standardin EN62841-2-14 mukaan:

Työtila: pinnan hionta

Tärinäpäästö ( $a_h$ ): 3,0 m/s<sup>2</sup>

Virhemarginaali (K): 1,5 m/s<sup>2</sup>

**HUOMAA:** Ilmoitetut kokonaistärinäarvot on mitattu standarditestausten mukaisesti ja niiden avulla voidaan vertailla työkaluja keskenään.

**HUOMAA:** Ilmoitettuja kokonaistärinäarvoja voidaan käyttää myös altistumisen alustavaan arviointiin.

**VAROITUS:** Sähkötyökalun käytön aikana mitattu todellinen tärinäpäästöarvo voi poiketa ilmoitetuista arvoista laitteen käyttötavan ja erityisesti käsiteltävän työkappaleen mukaan.

**VAROITUS:** Selvitä käyttäjän suojaamiseksi tarvittavat varoimet todellisissa käyttöolosuhteissa tapahtuvan arvioidun altistumisen mukaisesti (ottaen huomioon käyttöjako kokonaisuudessaan, myös jaksot, joiden aikana laite on sammutettuna tai käy tyhjäkäynnillä).

### EY-vaatimustenmukaisuusvakuutus

*Koskee vain Euroopan maita*

EY-vaatimustenmukaisuusvakuutus on liitetty tähän käyttöoppaaseen.

# TURVAVAROITUKSET

## Sähkötyökalujen käyttöä koskevat yleiset varoitukset

**VAROITUS:** Tutustu kaikkiin tämän sähkötyökalun mukana toimitettuihin varoituksiin, ohjeisiin, kuviin ja teknisiin tietoihin. Seuraavassa lueteltujen ohjeiden noudattamatta jättäminen saattaa johtaa sähköiskuun, tulipalloon tai vakavaan vammautumiseen.

## Säilytä varoitukset ja ohjeet tulevaa käyttöä varten.

Varoituksissa käytettävällä termillä ”sähkötyökalu” tarkoitetaan joko verkkovirtaa käyttävää (johdollista) työkalua tai akkukäyttöistä (johdotonta) työkalua.

## Höylän turvaohjeet

- Odot**, että leikkuri pysähtyy, ennen kuin laitat laitteen pois. Suojaamaton pyörivä leikkuri voi tarttua kiinni pintaan, jonka seurauksena voi olla laitteen hallinnan menetys ja vakava vamma.
- Pidä** sähkölaitteesta kiinni sen eristetyistä tartuntapinnoista, sillä leikkausterä saattaa osua laitteen omaan virtajohtoon. Jos terä osuu jännitteeseen johtoon, jännite voi siirtyä laitteen sähköä johtaviin metalliosiin ja aiheuttaa käyttäjälle sähköiskun.
- Kiinnitä ja tue** työkappale tukevalle alustalle puristimilla tai muulla käytännöllisellä tavalla. Työkappaleen piteleminen käsin tai vartaloa vasten ei tue työkappaletta riittävästi ja voi johtaa hallinnan menetykseen.
- Työalueella ei saa koskaan olla mattoja, vaatteita, johtoja, jousia ja vastaavia.**
- Vältä** naulojen leikkaamista. Tarkasta työkappale ja poista kaikki naulat ennen työstöä.
- Käytä** vain teräviä teriä. Käsittele teriä erittäin varovasti.
- Varmista** ennen käyttöä, että terän asennuspultit ovat tiukasti kiinnitetty.
- Pidä** laitteesta lujasti kiinni molemmilla käsillä.
- Pidä** kädet kaukana pyörivistä osista.
- Anna** laitteen käydä jonkin aikaa, ennen kuin alat työstää työkappaletta. Varmista, ettei työkappale tärise tai heilu, mikä voi johtua huonosta asennuksesta tai huonosti tasapainotetusta terästä.
- Varmista**, että terä ei kosketa työkappaletta, ennen kuin painat kytkintä.
- Odot**, kunnes terä pyörii täydellä nopeudella ennen leikkaamista.
- Sammuta** aina laite ja odota, kunnes terät ovat täysin pysähtyneet ennen kuin teet mitään säätöjä.
- Älä koskaan aseta sormea** laistukouruun. **Kouru** voi tukkeutua, kun leikataan märkää puuta. **Poista** lastut tikulla.
- Älä jätä** laitetta käyntiin ilman valvontaa. **Käytä** laitetta vain silloin, kun pidät sitä kädessä.
- Vaihda** aina molemmat terät tai rummun suojukseset, muuten tästä aiheutuva epätasapaino aiheuttaa tärinää, joka lyhentää laitteen käyttöikää.
- Käytä** vain Makitan teriä, jotka on kuvattu tässä ohjeessa.

18. Käytä aina työstettävän materiaalin ja käyttötarkoitukseen mukaan valittua pölynaamaria/hengityssuojainta.

## SÄILYTÄ NÄMÄ OHJEET.

**VAROITUS:** ÄLÄ anna työkalun helppokäyttöisyyden (toistuvan käytön aikaansaama) johtaa sinua väärään turvallisuuden tunteeseen niin, että laiminlyöt työkalun turvaohjeiden noudattamisen. **VÄÄRINKÄYTTÖ** tai tässä käyttöohjeessa ilmoitettujen turvamääräysten laiminlyönti voi aiheuttaa vakavia henkilövahinkoja.

## TOIMINTOJEN KUVAUS

**HUOMIO:** Varmista aina ennen koneen säätöjen ja toiminnallisten tarkistusten tekemistä, että kone on sammutettu ja irrotettu pistorasiasta.

## Leikkaussyvyyden säätäminen

► **Kuva1:** 1. Osoitin 2. Nuppi

Leikkaussyvyyttä voidaan säädellä yksinkertaisesti kiertämällä työkalun edessä olevaa nuppia siten, että osoitin osoittaa haluttuun leikkaussyvyyteen.

## Kytkimen käyttäminen

► **Kuva2:** 1. Liipaisinkytkin 2. Lukituspainike tai vapautuspainike

**HUOMIO:** Tarkista aina ennen työkalun liittämistä virtalähteeseen, että liipaisinkytkin kytketty oikein ja palaa asentoon ”OFF”, kun se vapautetaan.

## Lukituspainikkeella varustettu työkalu

**HUOMIO:** Kytkimen voi lukita ”ON”-asentoon, jotta pitkäaikainen käyttö olisi käyttäjälle mukavampaa. Ole varovainen, kun lukitset työkalun ”ON”-asentoon ja pidä työkalusta luja ote.

Käynnistä työkalu vetämällä liipaisinkytkintä. Pysäytä vapauttamalla liipaisinkytkin. Jos haluat koneen käyvän jatkuvasti, paina ensin liipaisinkytkin pohjaan ja paina sitten lukituspainiketta. Kun haluat pysäyttää työkalun jatkuvan käynnin, vedä liipaisinkytkin ensin pohjaan ja vapauta se sitten.

## Vapautuspainikkeella varustetulle työkalulle

Lukituksen vapautusnappi ehkäisee liipaisinkytkimen tahattoman vetämisen. Käynnistä työkalu painamalla lukituksen vapautuspainike sisään ja vetämällä liipaisinkytkimestä. Pysäytä vapauttamalla liipaisinkytkin.

**HUOMIO:** Älä paina liipaisinkytkintä voimakkaasti painamatta samalla lukituksen vapautusnappia. Kytkin voi rikkoutua.

## Jalustin

### Maakohtainen

► **Kuva3:** 1. Höylänterä 2. Takapohja 3. Jalustin

Leikkaustoiminnan jälkeen nosta työkalun takaosaa niin, että jalustin tulee ulos pohjan takaosan tason alta. Tämä ehkäisee höylänterien vahingoittumisen.

## KOKOONPANO

**▲HUOMIO:** Varmista aina ennen koneelle tehtäviä toimenpiteitä, että kone on sammutettu ja irrotettu pistorasiasta.

### Höylänterien irrotus ja kiinnitys

**▲HUOMIO:** Kiristä terän kiinnityspultit huolellisesti, kun kiinnität höylänterät työkaluun. Löysä kiinnityspultti voi olla vaarallinen. Tarkista aina, että ne on kunnolla kiristetty.

**▲HUOMIO:** Käsittele höylänteriä erittäin varovasti. Käytä suojakäsineitä suojataksesi sormiasi tai kättäsi, kun irrotat tai kiinnität teriä.

**▲HUOMIO:** Käytä höylänterien irrottamiseen ja kiinnittämiseen ainoastaan mukana toimitettua Makitan kiintoavainta. Tämän laiminlyönti saattaa aiheuttaa kiinnityspulttien ylikiristämisen tai puutteellisen kiristämisen. Tämä saattaa aiheuttaa vamman.

### Perinteisillä höylänterillä varustetuille työkaluille

Poista rummussa olevat höylänterät ruuvaamalla kiinnityspultit irti kuusioavainta käyttäen. Rummun kansi lähtee terien kanssa irti.

► **Kuva4:** 1. Kuusioavain 2. Pultit

► **Kuva5:** 1. Pultit 2. Rumpu 3. Höylänterä 4. Rummun kansi 5. Säättölevy 6. Ura

Noudata seuraavaa menettelyä höylänterien asentamiseksi.

1. Poista aina höylänteriin ja/tai rumpuun tarttuneet lastut ja vieraat aineet.
2. Valitse höylänterät, joiden mitat ja paino ovat samat. Muuten aiheutuu rummun värähtely/tärinää, mikä johtaa huonoon höyläystoimintaan ja mahdollisesti työkalun rikkoutumiseen.
3. Käytä terän syvydensäättöä asettaaksesi höylänterät asianmukaisesti. Aseta höylänterä syvydensäättötulkin päälle. Aseta terän leikkuureuna syvydensäättötulkin levyn sisäpuolelle.  
► **Kuva6:** 1. Syvydensäättötulkin levyn sisäpuoli 2. Terän reuna 3. Höylänterä 4. Säättölevy 5. Ruuvit 6. Kanta 7. Syvydensäättötulkin takapuoli 8. Terätulkki

4. Aseta säättölevy höylänterän päälle. Paina säättölevy niin, että sen kanta on samassa tasossa syvydensäättötulkin pohjan takapuolen kanssa. Kiristä säättölevyn kaksi ruuvia.
5. Liu'uta säättölevyn kanta rummun uraan ja sovita sitten rummun kansi sen päälle.
6. Kiristä kaikki kiinnityspultit tasaisesti ja vuorotellen kuusioavainta käyttäen.
7. Toista ylläolevat toimet toisen terän kohdalla.

### Minihöylänterillä varustetut työkalut

Noudata seuraavaa menettelyä minihöylänterien asentamiseksi.

1. Puhdista rummun pinnat ja rummun kansi huolellisesti.
2. Poista kolme asennuspulttia kuusioavainta käyttäen. Irrota rummun kansi, säättölevy, aseta levy ja minihöylänterä.  
► **Kuva7:** 1. Kuusioavain 2. Pultit
3. Käytä terän syvydensäättöä asettaaksesi höylänterät asianmukaisesti. Aseta minihöylänterä syvydensäättötulkin päälle. Aseta terän leikkuureuna syvydensäättötulkin levyn sisäpuolelle.  
► **Kuva8:** 1. Ruuvit 2. Säättölevy 3. Höylänterän kohdistuskorvakkeet 4. Säättölevyn kanta 5. Kiinnityslevy 6. Syvydensäättötulkin levyn sisäpuoli 7. Terätulkki 8. Syvydensäättötulkin takapuoli 9. Minihöylänterä

4. Kiinnitä säättölevy ruuveilla löysästi paikalleen asetuslevyyn. Laita säättölevy ja asetuslevy syvydensäättötulkin päälle. Sovita höylänterän kohdistuskorvakkeet asetuslevyyn minihöylänterän uraan.
5. Aseta säättölevyn kanta syvydensäättötulkin pohjan takapuolelle ja kiristä ruuvit. Tarkista kohdistukset hyvin varmistaaksesi tasaisen leikkuujäljen.
6. Liu'uta säättölevyn kanta rummun uraan.
7. Laita rummun kansi asetuslevyyn ja asenna ne löysästi rummun päälle kolmella pultilla. Liu'uta minihöylänterä rummun ja asetuslevyn väliseen tilaan. Varmista, että höylänterän kohdistuskorvakkeet sopivat asetuslevyn minihöylänterän uraan.  
► **Kuva9:** 1. Minihöylänterä 2. Ura 3. Kiinnityslevy 4. Pultit 5. Rummun kansi 6. Rumpu 7. Säättölevy

8. Säädä minihöylänterä pituussuunnassa niin, että terän päät ovat vapaina ja yhtä etäällä toisella puolella rungosta ja toisella puolella metallikiinnikkeestä.
9. Kiristä kolme pulttia mukana toimitetulla istukka-avaimella ja pyöritä rumpua tarkistaaksesi terän päiden ja työkalun rungon väliset välykset.
10. Tarkista vielä lopuksi, että kaikki kolme pulttia on kiristetty.
11. Toista ylläolevat toimet toisen terän kohdalla.

## Sopivan höylänterän asetukseen

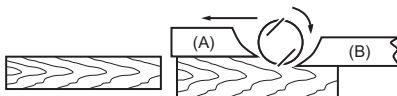
Höyläyspintasi jää karheaksi ja epätasaiseksi, jollei terä ole oikein ja turvallisesti asennettu. Terä täytyy asentaa niin, että leikkuureuna on täysin tasossa, eli kohdistettu takaosan pohjan pintaan.

Katso muutamaa alhaalla olevaa esimerkkiä sopivan ja sopimattoman asennuksen vuoksi.

(A) Etupohja (siirrettävä kenkä)

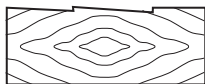
(B) Takapohja (kiinteä kenkä)

Oikea asetus



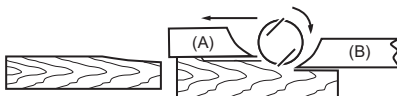
Vaikka tässä sivunäkymässä ei voida näyttää, terien reunat kulkevat täysin rinnakkain takapohjan pinnalla.

Pinnan



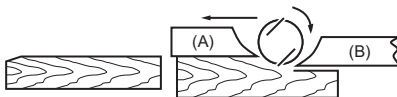
Syy: Toinen tai molemmat terät eivät ole samansuuntaisia takapohjan linjaa reunaan nähden.

Koverrus alussa



Syy: Toinen tai molemmat reunat eivät työnnä tarpeeksi suhteessa takapohjan linjaan.

Koverrus lopussa



Syy: Toinen tai molemmat terät eivät työnnä tarpeeksi suhteessa takapohjan linjaan.

## Pölynimurin kytkeminen

**HUOMAA:** Joissakin maissa suutin ei ehkä sisälly työkalupakettiin vakiovarusteena.

► Kuva10

## Suuttimella varustetulle laitteelle

Kiinnitä pölynimurin letku suuttimeen.

## Suuttimettomalle laitteelle

1. Poista lastusuoja laitteesta.
2. Kiinnitä suutin laitteeseen ruuveilla.
3. Kiinnitä pölynimurin letku suuttimeen.

## Suuttimen puhdistaminen

Puhdista suutin säännöllisesti.

Käytä paineilmaa tukkeutuneen suuttimen puhdistamiseen.

## TYÖSKENTELY

**VAROITUS:** Henkilövahinkojen riskin pienentämiseksi älä käytä laitetta ilman suutinta tai lastusuojusta.

Pidä työkalun nupista lujasti kiinni yhdellä kädellä ja kytinkahvasta toisella kädellä, työkalua käyttäessäsi.

## Höyläystoiminta

► Kuva11: 1. Alku 2. Loppu

Aseta ensin työkalun pohja lapelleen työkappaleen pinnalle niin, etteivät höylänterät kosketa työkappaletta. Käynnistä ja odota, kunnes terät pyörivät täydellä nopeudella. Kuljeta sitten työkalua kevyesti eteenpäin tasaisella nopeudella. Paina työkalun etuosaa höyläämisen alussa ja takaosaa höyläämisen lopussa.

Nopeus ja leikkuusyvyyys määrittävät viimeistelyjäljen. Voit saavuttaa hyvän viimeistelypinnan ensin höyläämällä syvään kunnes pääset lähellä haluttua syvyyttä ja sitten höyläämällä ohuesti ja hitaasti lopullisen pinnan.

## Laivalaudan teko (uurtaminen)

► Kuva12

Kuvan osoittaman porrasmaisen leikkauksen tekoon käytä reunaohjainta (ohjaustulkki).

Piirrä leikkauslinja työkappaleeseen. Kiinnitä reunaohjain työkalun edessä olevaan aukkoon. Rinnasta terän reuna leikkauslinjan kanssa.

► Kuva13: 1. Terän reuna 2. Leikkauslinja

Säädä reunaohjainta, kunnes se ottaa työkappaleen sivuun, varmista se sitten kiristämällä ruuvi.

► Kuva14: 1. Ruuvi 2. Reunaohjain

Liikuta työkalua höylätessä siten, että reunaohjain on samassa tasossa työkalun sivun kanssa. Muuten höyläysjäljestä saattaa tulla epätasaista.

### ► Kuva15

Puoliponttauksen (uurtaminen) suurin syvyys on 9 mm. Voit halutessasi lisätä ohjaimen pituutta kiinnittämällä ylimääräisen siihen puunpalasen. Ohjaimessa on mukana käytännölliset aukot tähän tarkoitukseen ja lisäohjainten kiinnitykseen (valinnainen lisävaruste).

### ► Kuva16

**HUOMAA:** Ohjaustulkin muoto vaihtelee maittain. Joissain maissa ohjaintulkki ei kuulu vakiovarusteisiin.

## Viistoaminen

### ► Kuva17

### ► Kuva18

Kuvan mukainen viistoleikkaus tehdään siten, että etuosan pohjassa oleva "V" ura kohdistetaan työkappaleen reunaan ja höylätään se.

## KUNNOSSAPITO

**▲HUOMIO:** Varmista aina ennen tarkastuksia ja huoltotöitä, että työkalu on sammutettu ja irrotettu virtalähteestä.

**▲HUOMIO:** Älä koskaan käytä bensiiniä, ohenteita, alkoholia tai tms. aineita. Muutoin pinta voi halkeilla tai sen värit ja muoto voivat muuttua. Muutoin laitteeseen voi tulla värjäytymiä, muodon vääristymiä tai halkeamia.

## Höylänterien teroittaminen

### *Ainoastaan perinteisille höylänterille*

Pidä aina höyläteräsi terävinä mahdollisimman hyvän suorituskyvyn saavuttamiseksi. Teroitustelineen (lisävaruste) avulla voit poistaa epätasaisuudet ja teroittaa terän reunan.

### ► Kuva19: 1. Teroitusteline

Löysää ensin kaksi telineessä olevaa siipimutteria ja kiinnitä höylänterät (A) ja (B) siten, että ne koskettavat sivuja (C) ja (D). Kiristä sitten siipimutterit.

### ► Kuva20: 1. Siipimutteri 2. Höylänterä (A) 3. Höylänterä (B) 4. Sivu (D) 5. Sivu (C)

Upota oikomiskivi veteen 2 tai 3 minuutiksi ennen teroitusta. Pidä telinettä siten, että molemmat terät ottavat oikomiskiveen samanaikaisen ja saman teroituskulman saavuttamiseksi.

### ► Kuva21

## Hiiliharjojen vaihtaminen

### ► Kuva22: 1. Rajamerkki

Irrota ja tarkista hiiliharjat säännöllisesti. Vaihda uusiin, kun ne ovat kuluneet rajamerkkiin saakka. Pidä hiiliharjat puhtaina ja varmista, että ne pääsevät liukumaan vapaasti pidikkeissään. Molemmat hiiliharjat on vaihdettava yhtä aikaa. Käytä vain samanlaisia hiiliharjoja.

Irrota lastusuojaus ja suutin ruuvitaltan avulla.

### ► Kuva23: 1. Sirukansi tai suutin 2. Ruuvitaltta

Irrota hiiliharjanpidikkeiden kuvut ruuvimeisselillä. Irrota kuluneet hiiliharjat, asenna uudet ja kiinnitä pidikkeiden kuvut.

### ► Kuva24: 1. Harjanpidikkeen korkki 2. Ruuvitaltta

Tuotteen TURVALLISUUDEN ja LUOTETTAVUUDEN takaamiseksi korjaukset, muut huoltotyöt ja säädöt on teetettävä Makitan valtuutetussa huoltopisteessä Makitan varaosia käyttäen.



## SPECIFIKĀCIJAS

Modelis:		M1902
Ēvelēšanas platums		82 mm
Ēvelēšanas dziļums		1 mm
Paplatināšanas (gropēšanas) dziļums		9 mm
Ātrums bez slodzes		16 000 min <sup>-1</sup>
Kopējais garums	Bez kājas	278 mm
	Ar kāju	285 mm
Tīrsvars		2,8 kg
Drošības klase		□/II

- Nepārtrauktās izpētes un izstrādes programmas dēļ šeit uzrādītās specifikācijas var tikt mainītas bez brīdinājuma.
- Atkarībā no valsts specifikācijas var atšķirties.
- Svārs atbilstīgi EPTA procedūrai 01/2014

### Paredzētā lietošana

Šis darbarīks paredzēts koka ēvelēšanai.

### Barošana

Darbarīks jāpievieno tikai tādām barošanas avotam, kura spriegums atbilst uz darbarīka tehnisko datu plāksnītes norādītajam, un darbarīku var izmantot tikai ar vienfāzes maiņstrāvas barošanu. Darbarīks aprīkots ar divkāro izolāciju, tādēļ to var izmantot arī, pievienojot kontaktligzdai bez iezemējuma vada.

### Trokšņa līmenis

Tipiskais A svērtais trokšņa līmenis noteikts saskaņā ar EN62841-2-14:

Skaņas spiediena līmeni ( $L_{pA}$ ): 84 dB (A)

Skaņas jaudas līmeni ( $L_{WA}$ ): 95 dB (A)

Mainīgums (K): 3 dB (A)

**PIEZĪME:** Paziņotā trokšņa emisijas vērtība noteikta atbilstoši standarta pārbaudes metodei, un to var izmantot, lai salīdzinātu vienu darbarīku ar citu.

**PIEZĪME:** Paziņoto trokšņa emisijas vērtību arī var izmantot iedarbības sākotnējā novērtējumā.

**▲BRĪDINĀJUMS:** Lietojiet ausu aizsargus.

**▲BRĪDINĀJUMS:** Trokšņa emisija patiesos darba apstākļos var atšķirties no paziņotās vērtības atkarībā no darbarīka izmantošanas veida un jo īpaši atkarībā no apstrādājamā materiāla veida.

**▲BRĪDINĀJUMS:** Lai aizsargātu lietotāju, nosakiet drošības pasākumus, kas pamatoti ar iedarbību reālos darba apstākļos (ņemot vērā visus ekspluatācijas cikla posmus, piemēram, laiku, kamēr darbarīks ir izslēgts un kad darbojas tukšgaitā, kā arī palaides laiku).

### Vibrācija

Vibrācijas kopējā vērtība (trīsasu vektora summa)

noteikta atbilstoši EN62841-2-14:

Darba režīms: virsmas slīpēšana

Vibrācijas izmete ( $a_h$ ): 3,0 m/s<sup>2</sup>

Mainīgums (K): 1,5 m/s<sup>2</sup>

**PIEZĪME:** Paziņotā kopējā vibrācijas vērtība noteikta atbilstoši standarta pārbaudes metodei, un to var izmantot, lai salīdzinātu vienu darbarīku ar citu.

**PIEZĪME:** Paziņoto kopējo vibrācijas vērtību arī var izmantot iedarbības sākotnējā novērtējumā.

**▲BRĪDINĀJUMS:** Vibrācijas emisija patiesos darba apstākļos var atšķirties no paziņotās vērtības atkarībā no darbarīka izmantošanas veida un jo īpaši atkarībā no apstrādājamā materiāla veida.

**▲BRĪDINĀJUMS:** Lai aizsargātu lietotāju, nosakiet drošības pasākumus, kas pamatoti ar iedarbību reālos darba apstākļos (ņemot vērā visus ekspluatācijas cikla posmus, piemēram, laiku, kamēr darbarīks ir izslēgts un kad darbojas tukšgaitā, kā arī palaides laiku).

### EK atbilstības deklarācija

*Tikai Eiropas valstīm*

EK atbilstības deklarācija šajā lietošanas rokasgrāmatā ir iekļauta kā A pielikums.

# DROŠĪBAS BRĪDINĀJUMI

## Vispārīgi elektrisko darbarīku drošības brīdinājumi

**▲BRĪDINĀJUMS:** Izlasiet visus drošības brīdinājumus, instrukcijas, apskatiet ilustrācijas un tehniskos datus, kas iekļauti mehanizētā darbarīka komplektācijā. Ja netiek ievēroti visi tālāk minētie noteikumi, var tikt izraisīta elektrottrauma, notikt aizdegšanās un/vai rasties smagas traumas.

## Glabājiet visus brīdinājumus un norādījumus, lai varētu tajos ieskatīties turpmāk.

Termins „elektrisks darbarīks” brīdinājumos attiecas uz tādu elektrisko darbarīku, ko darbina ar elektrību (ar vadu), vai tādu, ko darbina ar akumulatoru (bez vada).

## Drošības brīdinājumi ēveles lietošanai

1. Pirms darbarīka nolaišanas uzgaidiet, līdz grieziņš jeb grieznis apstājas. Atklāts, rotējošs grieziņš var iekerties virsmā, radot iespējamu kontroles zaudējumu un smagas traumas.
2. **Mehanizēto darbarīku turiet aiz izolētajām satveršanas virsmām, jo grieznis var saskarties ar darbarīka vadu.** Sagriežot vadu, kurā ir strāva, mehanizētā darbarīka ārējās metāla virsmas var vadīt strāvu un radīt elektriskās strāvas trieciena risku.
3. **Izmantojiet skavas vai citu praktiski piemērojamu papēmienu, lai apstrādājamo materiālu nostiprinātu un atbalstītu uz stabilas pamatnes.** Turot apstrādājamo materiālu ar roku vai pie ķermeņa, tas ir nestabils stāvoklī: jūs varat zaudēt kontroli pār to.
4. **Nekad darba vietā neatstājiet lupatas, auduma gabalus, vadus, auklas un līdzīgus priekšmetus.**
5. **Negrieziet naglas.** Pirms sākat darbu, pārbaudiet, vai apstrādājamajā materiālā nav naglu, un tās izņemiet.
6. **Izmantojiet tikai asus asmeņus.** Ar asmeņiem rīkojieties ļoti uzmanīgi.
7. **Pirms darba pārbaudiet, vai asmens uzstādīšanas skrūves pieskrūvētas cieši.**
8. **Turiet darbarīku cieši ar abām rokām.**
9. **Netuviniet rokas rotējošām daļām.**
10. **Pirms darbarīku lietojiet materiāla apstrādei, īslaicīgi darbiniet to bez slodzes.** Pievērsiet uzmanību vibrācijai vai svārstībām, jo tas var liecināt par nepiemērotu uzstādīšanu vai nepareizi līdzsvarotu asmeni.
11. **Pirms slēdža pārslēgšanas ieslēgtā stāvoklī pārliecinieties, ka asmens nepieskaras apstrādājamajam materiālam.**
12. **Pirms griešanas nogaidiet, līdz asmens sasniedz pilnu ātrumu.**
13. **Pirms regulēšanas vienmēr izslēdziet darbarīku un nogaidiet, līdz asmens pilnībā apstājas.**
14. **Nekādā gadījumā neievietojiet pirkstus skaidu izvadā.** Zaģējot mitru roku, izvads var iesprūst. Skaidas iztīriet ar nūju.
15. **Neatstājiet darbarīku ieslēgtu.** Darbiniet darbarīku tikai tad, kad turat to rokās.
16. **Vienmēr nomainiet abus cilindru asmeņus vai vākus, citādi radusies nelīdzsvarotība izraisīs vibrāciju un saīsinās darbarīka darbmužu.**

17. **Lietojiet tikai šajā rokasgrāmatā norādītos Makita asmeņus.**
18. **Vienmēr izmantojiet materiālam un darba veidam piemērotu putekļu masku/respiratoru.**

## SAGLABĀJIET ŠOS NORĀDĪJUMUS.

**▲BRĪDINĀJUMS:** NEPIELĀUJIET to, ka labu iemaņu vai izstrādājuma labas pārziņāšanas (darbarīku atkārtoti ekspluatējot) rezultātā vairs stingri neievērojāt šī izstrādājuma drošības noteikumus.

**NEPAREIZI LIETOJOT darbarīku vai neievērojot šajā instrukciju rokasgrāmatā minētos drošības noteikumus, var tikt gūtas smagas traumas.**

## FUNKCIJU APRAKSTS

**▲UZMANĪBU:** Pirms regulējat vai pārbaudāt darbarīka darbību, vienmēr pārliecinieties, ka darbarīks ir izslēgts un atvienots no barošanas.

## Ēvelēšanas dziļuma regulēšana

► **Att.1:** 1. Rādītājs 2. Poga

Ēvelēšanas dziļumu var regulēt, rokturi darbarīka priekšpusē griežot tā, lai rādītājs būtu vērstš pret vēlamu ēvelēšanas dziļumu.

## Slēdža darbība

► **Att.2:** 1. Slēdža mēlīte 2. Bloķēšanas poga vai atbloķēšanas poga

**▲UZMANĪBU:** Pirms darbarīka pieslēgšanas vienmēr pārbaudiet, vai slēdža mēlīte darbojas pareizi un atlaista atgriežas stāvoklī „OFF” (izslēgts).

## Darbarīkam ar bloķēšanas pogu

**▲UZMANĪBU:** Lai atvieglotu operatora darbu, strādājot ilgstoši, slēdzi var fiksēt stāvoklī “ON” (ieslēgts). Darbarīka slēdzi fiksējot stāvoklī “ON” (ieslēgts), jāuzmanās; darbarīku turiet stingri.

Lai darbarīku ieslēgtu, pavelciet slēdža mēlīti. Lai apturētu darbarīku, atlaidiet slēdža mēlīti. Lai darbarīks darbotos nepārtraukti, pavelciet slēdža mēlīti un iespiediet bloķēšanas pogu. Lai apturētu darbarīku, kad slēdzis ir bloķēts, slēdža mēlīti nospiediet līdz galam, tad atlaidiet.

## Darbarīkam ar atbloķēšanas pogu

Lai slēdža mēlītes nepavilkto nejausi, darbarīks ir aprīkots ar bloķēšanas pogu. Lai ieslēgtu darbarīku, nospiediet atbloķēšanas pogu un pavelciet slēdža mēlīti. Lai apturētu darbarīku, atlaidiet slēdža mēlīti.

**▲UZMANĪBU:** Nevelciet slēdža mēlīti ar spēku, nenospiežot atbloķēšanas pogu. Tā var sabojāt slēdzi.

## Balsts

### Dažādām valstīm atšķiras

- **Att.3:** 1. Ēveles asmens 2. Aizmugurējā pamatne 3. Balsts

Pēc ēvelēšanas paceliet darbarīka aizmugurējo daļu, līdz balsts iznāk no aizmugurējās pamatnes. Tādējādi ēveles asmeņi netiks sabojāti.

## MONTĀŽA

**⚠ UZMANĪBU:** Vienmēr pārliecinieties, ka darbarīks ir izslēgts un atvienots no barošanas, pirms veicat jebkādas darbības ar darbarīku.

### Ēveles asmeņu noņemšana vai uzstādīšana

**⚠ UZMANĪBU:** Piestiprinot ēveles asmeņus darbarīkam, rūpīgi pieskrūvējiet asmens uzstādīšanas skrūves. Valģīga uzstādīšanas skrūve var izraisīt bīstamu situāciju. Vienmēr pārbaudiet, vai šīs skrūves ir stingri pieskrūvētas.

**⚠ UZMANĪBU:** Rīkojieties ar ēveles asmeņiem ļoti uzmanīgi. Lai aizsargātu pirkstus vai rokas, noņemot vai uzstādot asmeņus, valkājiet cimdus vai lietojiet lupatas.

**⚠ UZMANĪBU:** Ēveles asmeņus noņemiet vai uzstādiat tikai ar Makita komplekta uzgriežņu atslēgu. Citādi uzstādīšanas skrūves tiks pievilktas pārāk stingri vai nepietiekami. Iespējams gūt traumu.

### Darbarīkam ar parastajiem ēveles asmeņiem

Lai ēveles asmeņus noņemtu no cilindra, ar sešstūru uzgriežņatslēgu izskrūvē stiprinājuma skrūves. Cilindra aizsargu noņem kopā ar asmeņiem.

- **Att.4:** 1. Sešstūru uzgriežņatslēga 2. Skrūves

- **Att.5:** 1. Skrūves 2. Cilindrs 3. Ēveles asmens 4. Cilindra aizsargs 5. Regulēšanas plāksne 6. Rieva

Lai uzstādītu ēveles asmeni, rīkojieties šādi.

1. Notīriet visas skaidas vai svešķermeņus, kas pielīpuši cilindram un ēveles asmeņiem.
2. Izvēlieties ēveles asmeņus ar tādiem pašiem izmēriem un svaru. Citādi radīsies cilindra svārstības/vibrācija, kas, savukārt, izraisīs sliktu ēvelēšanas kvalitāti un, iespējams, arī darbarīka bojājumus.
3. Lai ēveles asmeņus uzstādītu pareizi, lieto asmens mēru. Ēveles asmeni novieto uz asmens mēra. Asmens griežņmalu pieliek asmens mēra iekšējai malai.  
► **Att.6:** 1. Asmens mēra iekšējā mala 2. Asmens mala 3. Ēveles asmens 4. Regulēšanas plāksne 5. Skrūves 6. Balsts 7. Asmens mēra aizmugure 8. Asmens mērs

4. Regulēšanas plāksni noliek uz ēveles asmens. Regulēšanas plāksni piespiež tā, lai tās balsts salāgotos vienā līnijā ar asmens mēra aizmugurējo daļu. Pievelk abas regulēšanas plāksnes skrūves.

5. Regulēšanas plāksnes balstu iebīdīet cilindra rievā, tad uzlieciet cilindra aizsargu.

6. Ar sešstūru uzgriežņatslēgu vienādi un pamīšus pievelk visas stiprinājuma skrūves.

7. Iepriekš norādītās darbības atkārtojiet otram asmenim.

### Darbarīkam ar mazajiem ēveles asmeņiem

Lai uzstādītu mazo ēveles asmeni, rīkojieties šādi.

1. Kārtīgi notīriet cilindra virsmas un cilindra aizsargu.

2. Ar sešstūru uzgriežņatslēgu izskrūvē trīs stiprinājuma skrūves. Noņem cilindra aizsargu, regulēšanas plāksni, iestatīšanas plāksni un mazo ēveles plāksni.  
► **Att.7:** 1. Sešstūru uzgriežņatslēga 2. Skrūves

3. Lai ēveles asmeņus uzstādītu pareizi, lieto asmens mēru. Uz asmens mēra uzliek mazo ēveles asmeni. Asmens griežņmalu pieliek asmens mēra iekšējai malai.

- **Att.8:** 1. Skrūves 2. Regulēšanas plāksne 3. Ēveles asmens novietojuma izcilņi 4. Regulēšanas plāksnes balsts 5. Iestatīšanas plāksne 6. Asmens mēra iekšējā mala 7. Asmens mērs 8. Asmens mēra aizmugure 9. Mazais ēveles asmens

4. Regulēšanas plāksni ar skrūvēm valģīgi piestiprina iestatīšanas plāksnei. Uz asmens mēra noliek regulēšanas plāksni un iestatīšanas plāksni. Ēveles asmens novietojuma izcilņus, kas atrodas uz iestatīšanas plāksnes, ielāgo mazā ēveles asmens rievā.

5. Piespiež regulēšanas plāksnes balstu asmens mēra aizmugurējai daļai un pievelk skrūves. Rūpīgi pārbauda salāgojumu, lai griezumš būtu vienmērīgs.

6. Regulēšanas plāksnes balstu iebīdīet cilindra rievā.

7. Cilindru novietojiet uz iestatīšanas plāksnes un valģīgi nostipriniet uz cilindra ar trīs skrūvēm. Mazo ēveles asmeni iebīdīet vietā starp cilindru un iestatīšanas plāksni. Pārliecinieties, ka ēveles asmens novietojuma izcilņi uz iestatīšanas plāksnes ievietojas mazā ēveles asmens rievā.

- **Att.9:** 1. Mazais ēveles asmens 2. Rieva 3. Iestatīšanas plāksne 4. Skrūves 5. Cilindra aizsargs 6. Cilindrs 7. Regulēšanas plāksne

8. Mazo ēveles asmeni visā tā garumā pielāgojiet tā, lai asmens gali novietotos brīvi un vienādā attālumā no korpusa vienā pusē un no metāla kronšteina otrā pusē.

9. Ar komplekta gala uzgriežņu atslēgu pievelciet visas trīs skrūves un grieziet cilindru, lai pārbaudītu attālumus starp asmens galiem un darbarīka korpusu.

10. Pārbaudiet visu trīs skrūvju galīgo pievilktumu.

11. Iepriekš norādītās darbības atkārtojiet otram asmenim.

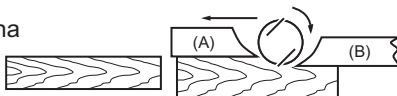
## Pareizai ēveles asmens uzstādīšanai

Noēvelētā virsma būs raupja un nelīdzena, ja ēveles asmens nebūs uzstādīts pareizi un stingri. Ēveles asmenim jābūt uzstādītam tā, lai griezējšķautne būtu pilnībā līmeniska, proti, paralēla aizmugures pamatnes virsmai. Piedāvājam dažus pareizas un nepareizas uzstādīšanas piemērus.

(A) Priekšējā pamatne (pārvietojama sliece)

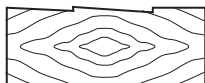
(B) Aizmugurējā pamatne (stacionāra sliece)

Pareiza uzstādīšana



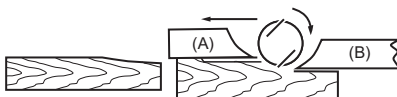
Kaut arī šis sānskats to nevar parādīt, asmens malas darbojas pilnībā paralēli aizmugurējās pamatnes virsmai.

Iecirtumi virsmā



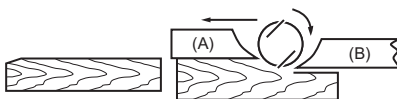
lemesls: viens vai abi asmeņi nenovietojas paralēli aizmugurējās pamatnes līnijai.

Rievās sākumā



lemesls: viens vai abi asmeņi neizvirzās pietiekami daudz attiecībā pret aizmugurējās pamatnes līniju.

Rievās beigās



lemesls: viens vai abi asmeņi izvirzās par tālu attiecībā pret aizmugurējās pamatnes līniju.

## Putekļsūcēja pievienošana

**PIEZĪME:** Dažās valstīs uzgalis var nebūt iekļauts darbarīka komplektācijā kā standarta piederums.

► Att.10

### Darbarīkam ar uzgali

Pievienojiet uzgali putekļu sūcēja šļūtenei.

### Darbarīkam bez uzgaļa

1. Noņemiet darbarīka skaidu pārsegu.
2. Ar skrūvēm pie darbarīka pieskrūvējiet uzgali.
3. Pievienojiet uzgali putekļu sūcēja šļūtenei.

## Uzgaļa tīrīšana

Tīriet uzgali regulāri.

Ja uzgalis ir nosprostoies, tīrīšanai izmantojiet saspiestu gaisu.

## EKSPLUATĀCIJA

**▲BRĪDINĀJUMS:** Lai samazinātu traumu risku, neizmantojiet ierīci, ja nav uzstādīta sprausla vai skaidu aizsargs.

Lietojot šo darbarīku, stingri turiet to ar vienu roku uz pogas un ar otru roku uz slēdža roktura.

## Ēvelēšana

► Att.11: 1. Sākšana 2. Beigšana

Darbarīka priekšējo pamatni novietojiet līdzeni uz apstrādājamā materiāla virsmas, asmeņiem ar to nesaķaroties. Ieslēdziet darbarīku un nogaidiet, līdz asmeņi sasniedz pilnu ātrumu. Tad darbarīku uzmanīgi virziet uz priekšu vienmērīgā ātrumā. Uzsākot ēvelēšanu, piespiediet darbarīka priekšpusi, bet, pabeidzot darbu, – darbarīka aizmuguri.

Ēvelēšanas ātrums un dziļums nosaka ēvelējuma apdari. Lai virsmu noēvelētu labi, ēvelējiet dziļi, līdz tuvojaties vēlamajam dziļumam, tad ēvelējiet plāni un lēni, lai veiktu galīgo apdari.

## Paplatināšana (gropēšana)

► Att.12

Lai ēvelētu pakāpeniski, kā parādīts attēlā, izmantojiet malu ierobežotāju (vadotnes lineālu).

Uz apstrādājamā materiāla uzzīmējiet griešanas līniju. Malu ierobežotāju ievietojiet darbarīka priekšpusē atverē. Asmens malu salāgojiet ar griešanas līniju.

► Att.13: 1. Asmens mala 2. Griešanas līnija

Noregulējiet malu ierobežotāju, līdz tas saskaras ar apstrādājamā materiāla malu, tad pievelciet ar skrūvi.

► Att.14: 1. Skrūvē 2. Malu ierobežotājs

Ēvelēšanas gaitā darbarīku pārvietojiet, malu ierobežotāju saglabājot vienā līmenī ar apstrādājamā materiāla malu. Ja rīkojas citādi, ēvelējums var būt nelīdzens.

#### ► Att.15

Maksimālais paplatināšanas (gropēšanas) dziļums ir 9 mm (11/32 collas).

Ja vēlaties ierobežotāju pagarināt, piestipriniet vēl vienu koka gabalu. Šim mērķim, kā arī pagarinājuma vadotnes (papildpiederums) pievienošanai ierobežotājā paredzētas parocīgas atveres.

#### ► Att.16

**PIEZĪME:** Vadotnes lineāla forma dažādās valstīs var atšķirties. Dažās valstīs vadotnes lineāls nav standarta piederums.

## Nošķelšana

#### ► Att.17

#### ► Att.18

Lai veidotu nošķēlumu, kā parādīts attēlā, priekšējās pamatnes "V" rievu savietojiet ar apstrādājamā materiāla malu un novelējiet.

## APKOPE

**⚠ UZMANĪBU:** Pirms veikt pārbaudi vai apkopi, vienmēr pārliecinieties, ka darbarīks ir izslēgts un atvienots no barošanas.

**⚠ UZMANĪBU:** Nekad neizmantojiet gāzoliņu, benzīnu, atšķaidītāju, spirtu vai līdzīgus šķidrumus. Tas var radīt izbalēšanu, deformāciju vai plaisas.

## Ēveles asmeņu asināšana

### *Tikai parastajiem ēveles asmeņiem*

Lai darba rezultāts būtu maksimāli kvalitatīvs, ēveles asmeņiem jābūt asiem. Lai nogrudinātu plaisas un izveidotu smalku malu, izmantojiet asināšanas turētāju (papildpiederums).

#### ► Att.19: 1. Asināšanas turētājs

Vispirms atlaidiet abus turētāja spārnuzgriežņus, bet ēveles asmeni (A) un (B) ievietojiet tā, lai tie saskartos ar malu (C) un (D). Tad pievelciet spārnuzgriežņus.

#### ► Att.20: 1. Spārnuzgrieznis 2. Ēveles asmens (A) 3. Ēveles asmens (B) 4. Mala (D) 5. Mala (C)

Galodu pirms asināšanas uz 2 vai 3 minūtēm iegremdējiet ūdenī. Turētāju turiet tā, lai abi asmeņi saskartos ar galodu un lai tos vienlaikus noslīpētu vienādā leņķī.

#### ► Att.21

## Ogles suku nomaīņa

#### ► Att.22: 1. Robežas atzīme

Regulāri izņemiet un pārbaudiet ogles suku. Kad ogles suku noliecējušās līdz robežas atzīmei, nomainiet tās. Turiet ogles suku tīras un pārbaudiet, vai tās brīvi ievietojas turētājos. Abas ogles suku jānomaina vienlaikus. Izmantojiet tikai identiskas ogles suku.

Skaidu aizsargu vai sprauslu atskrūvējiet ar skrūvgriezi.

#### ► Att.23: 1. Skaidu aizsargs vai sprausla 2. Skrūvgriezis

Lai noņemtu suku turētāja vāciņus, izmantojiet skrūvgriezi.

Izņemiet noliecējušās ogles suku, ievietojiet jaunas un nostipriniet suku turētāja vāciņus.

#### ► Att.24: 1. Suku turētāja vāciņš 2. Skrūvgriezis

Lai saglabātu izstrādājuma DROŠU un UZTICAMU darbību, remontdarbus, apkopi un regulēšanu uzticiet veikt tikai Makita pilnvarotam vai rūpnīcas apkopes centram, un vienmēr izmantojiet tikai Makita rezerves daļas.

## SPECIFIKACIJOS

<b>Modelis:</b>		<b>M1902</b>
Obliavimo plotis		82 mm
Obliavimo gylis		1 mm
Užleistino sujungimo gylis		9 mm
Be apkrovos		16 000 min <sup>-1</sup>
Bendrasis ilgis	Be pagrindo	278 mm
	Su pagrindu	285 mm
Grynasis svoris		2,8 kg
Saugos klasė		□/II

- Atliekame tęsinius tyrimus ir nuolatos tobuliname savo gaminius, todėl čia pateikiamos specifikacijos gali būti keičiamos be įspėjimo.
- Skirtingose šalyse specifikacijos gali skirtis.
- Svoris pagal EPTA 2014 m. sausio mėn. procedūrą

### Numatytoji naudojimo paskirtis

Šis įrankis skirtas medienai lyginti.

### Elektros energijos tiekimas

Įrenginiui turi būti tiekiamas tokios įtampas elektros energija, kaip nurodyta duomenų lentelėje; įrenginys veikia tik su vienfazė kintamąja srove. Jie yra dvigubai izoliuoti, todėl gali būti naudojami prijungus prie elektros lizdo be žemėnimo laido.

### Triukšmas

Įprastas triukšmo A lygis, nustatytas pagal

EN62841-2-14:

Garso slėgio lygis ( $L_{pA}$ ): 84 dB (A)

Garso galios lygis ( $L_{WA}$ ): 95 dB (A)

Paklaida (K): 3 dB (A)

**PASTABA:** Paskelbta (-os) triukšmo reikšmė (-ės) nustatyta (-os) pagal standartinį testavimo metodą ir jį galima naudoti vienam įrankiui palyginti su kitu.

**PASTABA:** Paskelbta (-os) triukšmo reikšmė (-ės) taip pat gali būti naudojama (-os) norint preliminariai įvertinti triukšmo poveikį.

**⚠️ JSPĖJIMAS:** Dėvėkite ausų apsaugą.

**⚠️ JSPĖJIMAS:** Faktiškai naudojant elektrinį įrankį, keliamo triukšmo dydis gali skirtis nuo paskelbtos (-ų) reikšmės (-ių), priklausomai nuo būdų, kuriais yra naudojamas šis įrankis, ir ypač nuo to, kokio tipo ruošinys apdirbamas.

**⚠️ JSPĖJIMAS:** Siekdami apsaugoti operatorių, būtina įvertinkite saugos priemones, remdamiesi vibracijos poveikio įvertinimu esant faktinėms naudojimo sąlygoms (atsižvelgdami į visas darbo ciklo dalis, pavyzdžiui, ne tik kiek laiko įrankis veikia, bet ir kiek kartų jis yra išjungiamas bei kai jis veikia be apkrovų).

### Vibracija

Vibracijos bendroji vertė (triaušo vektorius suma) nustatyta pagal EN62841-2-14 standartą:

Darbo režimas: paviršiaus šlifavimas

Vibracijos emisija ( $a_{h,v}$ ): 3,0 m/s<sup>2</sup>

Paklaida (K): 1,5 m/s<sup>2</sup>

**PASTABA:** Paskelbta (-os) vibracijos bendroji (-osios) reikšmė (-ės) nustatyta (-os) pagal standartinį testavimo metodą ir jį galima naudoti vienam įrankiui palyginti su kitu.

**PASTABA:** Paskelbta (-os) vibracijos bendroji (-osios) reikšmė (-ės) taip pat gali būti naudojama (-os) norint preliminariai įvertinti vibracijos poveikį.

**⚠️ JSPĖJIMAS:** Faktiškai naudojant elektrinį įrankį, keliamos vibracijos dydis gali skirtis nuo paskelbtos (-ų) reikšmės (-ių), priklausomai nuo būdų, kuriais yra naudojamas šis įrankis, ir ypač nuo to, kokio tipo ruošinys apdirbamas.

**⚠️ JSPĖJIMAS:** Siekdami apsaugoti operatorių, būtina įvertinkite saugos priemones, remdamiesi vibracijos poveikio įvertinimu esant faktinėms naudojimo sąlygoms (atsižvelgdami į visas darbo ciklo dalis, pavyzdžiui, ne tik kiek laiko įrankis veikia, bet ir kiek kartų jis yra išjungiamas bei kai jis veikia be apkrovų).

### EB atitikties deklaracija

*Tik Europos šalims*

EB atitikties deklaracija yra pridedama kaip šio instrukcijų vadovo A priedas.

# SAUGOS ĮSPĖJIMAI

## Bendrieji įspėjimai dirbant elektriniais įrankiais

**▲ ĮSPĖJIMAS:** Perskaitykite visus saugos įspėjimus, instrukcijas, iliustracijas ir techninius duomenis, pateiktus kartu su šiuo elektriniu įrankiu. Nesilaikant visų toliau išvardytų instrukcijų galima patirti elektros smūgi, gali kilti gaisras ir (arba) galima sunkiai susižaloti.

## Įsaugokite visus įspėjimus ir instrukcijas, kad galėtumėte jas peržiūrėti ateityje.

Terminas „elektrinis įrankis“ pateiktuose įspėjimuose reiškia į maitinimo tinklą jungiamą (laidinį) elektrinį įrankį arba akumulatoriaus maitinamą (belaidį) elektrinį įrankį.

## Saugos įspėjimai dėl obliavo naudojimo

1. **Prieš padėdami įrankį, palaukite, kol pjaustytuvas sustos.** Neapsaugotas besisukantis pjaustytuvas gali užkabinti paviršių ir dėl to tapti nevaldomas bei sunkiai sužeisti.
2. **Laikykite elektrinį įrankį už izoliuotų, laikyti skirtų vietų, nes pjaustytuvas gali užkliudyti paties įrankio laidą.** Įpjovus laidą, kuriuo teka srovė, įtampa gali būti perduota neizoliuotoms metalinėms elektrinio įrankio dalims ir operatorius gali gauti elektros smūgį.
3. **Ruošinį ant stabilios platformos tvirtinkite spaustuvais arba kitais parankiais būdais.** Jei laikysite ruošinį rankomis arba atrėmę į save, jis nebus stabilus, todėl galite prarasti jo kontrolę.
4. **Darbo vietoje negalima palikti skudurų, drabužių, virvių, stygų ir pan.**
5. **Nepjaukite vinių.** Prieš dirbdami apžiūrėkite ruošinį ir išimkite visas vėnis.
6. **Naudokite tik aštrias geležtes.** Su ašmenimis elkitės labai atsargiai.
7. **Prieš dirbdami patikrinkite, ar geležtės montavimo varžtai gerai priveržti.**
8. **Laikykite įrankį tvirtai abiem rankomis.**
9. **Laikykite rankas toliau nuo sukamųjų dalių.**
10. **Prieš naudodami įrankį su ruošiniu, leiskite jam kurį laiką veikti be apkrovos.** Atkreipkite dėmesį į vibraciją arba klībėjimą – gali būti, kad įrankis netinkamai sumontuotas arba diskas blogai subalansuotas.
11. **Prieš įjungdami jungiklį, patikrinkite, ar diskas neličia ruošinio.**
12. **Prieš pjudami palaukite, kol diskas ims veikti visu greičiu.**
13. **Prieš ką nors reguliuodami, būtinai išjunkite įrankį ir palaukite, kol jis visiškai sustos.**
14. **Jokiu būdu neikiškite pirštų į nuolaužų lataką.** Kanalas gali užsikimšti pjaunant drėgną medieną. Išvalykite nuolaužas lazda.
15. **Nepalikite veikiančio įrankio.** Naudokite įrankį tik laikydami rankomis.
16. **Keiskite tik abu diskus arba būgno dangtelius, antraip pusiausvyros nebuvimas sukels vibraciją ir sumažins įrankio naudojimo laiką.**

17. **Naudokite tik šioje instrukcijoje nurodytas „Makita“ geležtes.**
18. **Atsižvelgdami į apdirbamą medžiagą ir darbo pobūdį, būtinai užsidėkite kaukę nuo dulkių / respiratorių.**

## SAUGOKITE ŠIAS INSTRUKCIJAS.

**▲ ĮSPĖJIMAS:** NELEISKITE, kad patogumas ir gaminio pažinimas (įgyjamas pakartotinai naudojant) susilpnintų griežtą saugos taisyklių, taikytinų šiam gaminiui, laikymąsi.

Dėl NETINKAMO NAUDOJIMO arba saugos taisyklių, kurios pateiktos šioje instrukcijoje, nesilaikymo galima rimtai susižeisti.

## VEIKIMO APRAŠYMAS

**▲ PERSPĖJIMAS:** Prieš pradėdami reguliuoti arba tikrinti įrankio veikimą, visuomet būtinai išjunkite įrankį ir atjunkite jį nuo maitinimo tinklo.

## Pjovimo gylio reguliavimas

► **Pav.1:** 1. Rodyklė 2. Rankenėlė

Pjūvio gylį galima nustatyti tiesiog sukant įrankio priekyje esančią rankenėlę tol, kol rodyklė rodyt norimą pjūvio gylį.

## Jungiklio veikimas

► **Pav.2:** 1. Gaidukas 2. Fiksavimo mygtukas arba atlaisvinimo mygtukas

**▲ PERSPĖJIMAS:** Prieš jungdami įrenginį visada patikrinkite, ar svirtinis gaidukas gerai įsijungia, o atleistas grįžta į padėtį OFF (išjungta).

## Įrankiams su fiksavimo mygtuku

**▲ PERSPĖJIMAS:** Kai įrankis naudojamas ilgą laiką tarp, operatoriaus patogumui jungiklį galima užfiksuoti į „ON“ (įjungta) padėtį. Būkite atsargūs, užfiksuodami įrankį į „ON“ (įjungta) padėtį, ir tvirtai laikykite įrankio rankeną.

Jei norite paleisti įrankį, tiesiog patraukite svirtinį gaiduką. Norėdami įrankį išjungti, gaiduką atleiskite. Jei norite dirbti be pertraukų, paspauskite gaiduką ir tada pastumkite fiksavimo mygtuką. Norėdami sustabdyti įrankį, kai gaidukas užfiksuotas, paspauskite gaiduką iki galo ir tada jį atleiskite.

## Įrankiui su atlaisvinimo mygtuku

Atlaisvinimo mygtukas neleidžia atsitiktinai paspausti gaiduko.

Jei norite įjungti įrankį, paspauskite atlaisvinimo mygtuką ir gaiduką. Norėdami įrankį išjungti, gaiduką atleiskite.

**▲ PERSPĖJIMAS:** Netraukite svirtinio gaiduko smarkiai, nenuspaudę fiksavimo mygtuko. Taip galima sugadinti jungiklį.

## Kojelė

### *Priklausomai nuo šalies*

► **Pav.3:** 1. Obliaus ašmenys 2. Užpakalinis pagrindas 3. Kojelė

Atlikę darbą, pakelkite įrankio užpakalinę pusę taip, kad kojelė pasislinktų iš užpakalinio pagrindo. Tai apsaugo obliaus ašmenis nuo sugadinimo.

## SURINKIMAS

**⚠ PERSPĖJIMAS:** Prieš ką nors darydami su įrankiu, visada patikrinkite, ar jis išjungtas, o laido kištukas ištrauktas iš elektros lizdo.

## Obliaus ašmenų sumontavimas arba nuėmimas

**⚠ PERSPĖJIMAS:** Montuodami obliaus ašmenis tvirtai priveržkite jų montavimo varžtus. Atsilaisvinę montavimo varžtai gali kelti didelį pavojų. Patikrinkite, ar saugiai užveržėte varžtus.

**⚠ PERSPĖJIMAS:** Su obliaus ašmenimis elkitės labai atsargiai. Nuimdami arba uždėdami ašmenis, dėvėkite pirštines arba naudokite skudurus, kad apsaugotumėte pirštus ir rankas.

**⚠ PERSPĖJIMAS:** Obliaus ašmenims sumontuoti arba nuimti naudokite tik „MAKITA“ veržliaraktį. Jeigu naudosite kitą įrankį, galite per daug arba ne iki galo priveržti montavimo varžtus. Tai gali sukelti sužeidimus.

## Įrankiui su įprasto obliaus ašmenimis

Norėdami nuimti obliaus ašmenis nuo būgno, šešiakampi raktu atsukite montavimo varžtus. Būgno dangtis nusiima kartu su ašmenimis.

► **Pav.4:** 1. Šešiakampis raktas 2. Varžtai

► **Pav.5:** 1. Varžtai 2. Būgnas 3. Obliaus ašmenys 4. Būgno gaubtas 5. Reguliavimo plokštelė 6. Griovelis

Obliaus ašmenims sumontuoti atlikite šią procedūrą.

1. Visuomet nuvalykite visus prie būgno ir obliaus ašmenų prilipusias drožles arba medžiagos gabalėlius.

2. Pasirinkite vienodų matmenų ir svorio obliaus ašmenis. Antraip būgnas svyruos / vibruos, todėl obliaus rezultatai bus prasti, o galiausiai įrankis sulūš.

3. Norėdami tinkamai nustatyti obliaus ašmenis, naudokite ašmenų matuoklį. Obliaus ašmenis uždėkite ant ašmenų matuoklio. Ašmenų pjovimo kampą dėkite ant ašmenų matuoklio vidinio krašto.

► **Pav.6:** 1. Ašmenų matuoklio vidinis kraštas 2. Ašmenų kraštas 3. Obliaus ašmenys 4. Reguliavimo plokštelė 5. Varžtai 6. Kapliukas 7. Ašmenų matuoklio galinis kraštas 8. Ašmenų matuoklis

4. Uždėkite reguliavimo plokštelę ant obliaus ašmenų. Paspauskite reguliavimo plokštelę, kad jos kapliukas lygiuotų pagal ašmenų matuoklio galinę pusę. Priveržkite du reguliavimo plokštelės varžtus.

5. Įstumkite reguliavimo plokštelės kapliuką į būgno griovelį ir įtaisykite ant jos būgno gaubtą.

6. Šešiakampi raktu vienodai pakaitomis užveržkite visus montavimo varžtus.

7. Pakartokite pirmiau minėtą procedūrą kitiems ašmenims įdėti.

## Įrankiui su mini obliaus ašmenimis

Obliaus ašmenims pakeisti atlikite šią procedūrą.

1. Kruopščiai nuvalykite būgno paviršių ir būgno gaubtą.

2. Šešiakampi raktu išsukite tris montavimo varžtus. Nuimkite būgno gaubtą, reguliavimo plokštelę, nustatymo plokštelę ir mini obliaus ašmenis.

► **Pav.7:** 1. Šešiakampis raktas 2. Varžtai

3. Norėdami tinkamai nustatyti obliaus ašmenis, naudokite ašmenų matuoklį. Mini obliaus ašmenis uždėkite ant ašmenų matuoklio. Ašmenų pjovimo kampą dėkite ant ašmenų matuoklio vidinio krašto.

► **Pav.8:** 1. Varžtai 2. Reguliavimo plokštelė 3. Obliaus ašmenų nustatymo ašelės 4. Reguliavimo plokštelės kapliukas 5. Nustatymo plokštelė 6. Ašmenų matuoklio vidinis kraštas 7. Ašmenų matuoklis 8. Ašmenų matuoklio galinis kraštas 9. Mini obliaus ašmenys

4. Laisvai varžtais pritvirtinkite reguliavimo plokštelę prie nustatymo plokštelės. Ant ašmenų matuoklio padėkite reguliavimo plokštelę ir nustatymo plokštelę. Pritvirtinkite obliaus ašmenų nustatymo ašeles, esančias ant nustatytos plokštelės, į mini obliaus ašmenų griovelį.

5. Reguliavimo plokštelės kapliuką uždėkite ant ašmenų matuoklio galinės pusės ir priveržkite varžtais. Norėdami užtikrinti vienodą pjovimą, kruopščiai patikrinkite lygiavimą.

6. Reguliavimo plokštelės kapliuką įstumkite į griovelį būgne.

7. Ant nustatymo plokštelės uždėkite būgno gaubtą ir trimis varžtais laisvai pritvirtinkite ant būgno. Slinkite mini obliaus ašmenis į tarpą tarp būgno ir nustatymo plokštelės. Įsitikinkite, ar obliaus ašmenų nustatymo ašelės ant nustatymo plokštelės yra mini obliaus ašmenų griovelyje.

► **Pav.9:** 1. Mini obliaus ašmenys 2. Griovelis 3. Nustatymo plokštelė 4. Varžtai 5. Būgno gaubtas 6. Būgnas 7. Reguliavimo plokštelė

8. Sureguliuokite mini obliaus ašmenų išilginę padėtį taip, kad ašmenų galai būtų aiškiai matomi ir vienodai nutolę nuo korpuso iš vienos pusės ir nuo metalinio rėmo iš kitos pusės.

9. Pateiktu veržliaraktiu užveržkite tris varžtus ir sukite būgną, kad patikrintumėte tarpus tarp ašmenų galų ir įrankio korpuso.

10. Dar kartą patikrinkite, ar tvirtai priveržti trys galvutės varžtai.

11. Pakartokite pirmiau minėtą procedūrą kitiems ašmenims įdėti.



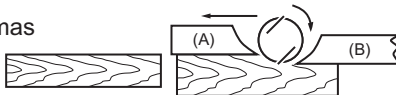
## Tinkamas obliaus ašmenų nustatymas

Obliuojamas paviršius bus šiurkštus ir nelygus, jeigu tinkamai ir saugiai nenustatysite obliaus ašmenų. Obliaus ašmenys turi būti sumontuoti taip, kad pjovimo kraštas būtų visiškai lygus, t. y. lygiagrečius užpakalinio pagrindo paviršiui.

Vadovaukitės apačioje pateiktais tinkamo ir netinkamo nustatymo pavyzdžiais.

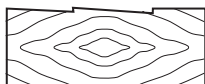
- (A) Priekinis pagrindas (kilnojamas antgalis)
- (B) Užpakalinis pagrindas (stacionarus antgalis)

Tinkamas nustatymas



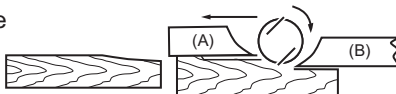
Nors šiame vaizde iš šono jų nematyti, ašmenų kraštai eina tiksliai lygiagrečiai pagal užpakalinio pagrindo paviršių.

Įraižos paviršiuje



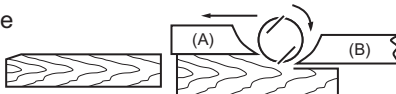
Priežastis: vienas ar abu ašmenys nėra lygiagretūs pagal užpakalinio pagrindo liniją.

Grioveliai pradžioje



Priežastis: vienas ar abu ašmenys pakankamai išsikiša pagal užpakalinio pagrindo liniją.

Grioveliai pabaigoje



Priežastis: vienas ar abu ašmenys pernelyg išsikiša pagal užpakalinio pagrindo liniją.

## Dulkių siurblio prijungimas

**PASTABA:** Kai kuriose šalyse antgalis gali būti nepateiktas įrankio pakuotėje kaip standartinis priedas.

► Pav.10

## Įrankiui su antgaliu

Prijunkite vakuuminio valymo įrenginio žarną prie antgalio.

## Įrankiui be antgalio

1. Nuimkite nuo įrankio nuo skiedrų saugantį gaubtą.
2. Varžtais prie įrankio prisukite antgalį.
3. Prijunkite vakuuminio valymo įrenginio žarną prie antgalio.

## Antgalio valymas

Reguliariai valykite antgalį.  
Užsikimšusį antgalį valykite suslėgtuoju oru.

## NAUDOJIMAS

**⚠️ ĮSPĖJIMAS:** Norėdami sumažinti asmenų sužalojimo pavojų, naudokite tik uždėję antgalį arba apsauginį gaubtą nuo skiedrų.

Naudodamiesi įrankiu, stipriai jį laikykite taip, kad viena jūsų ranka būtų ant rankenos, o kita ant jungiklio rankenos.

## Oblivimas

► Pav.11: 1. Pradžia 2. Galas

Padėkite įrankio priekinį pagrindą ant ruošinio paviršiaus (obliaus ašmenys neturi liesti ruošinio). Įjunkite įrankį ir palaukite, kol diskas pradės sukis visu greičiu. Tuomet vienodu greičiu švelniai stumkite įrankį į priekį. Pradėdami obliuoti, paspauskite įrankio priekį, o gale paspauskite įrankio galą.

Oblavimo greitis ir gylis lemia obliavimo lygumą. Kad paviršius būtų lygus, obliuokite giliai, kol pasieksite pageidaujama gylį, tada obliuokite ploniai ir lėtai, kol bus išgautas reikiamas lygumas.

## Užleistinis sujungimas (įlaidavimas)

### ► Pav.12

Norėdami atlikti pakopinį obliavimą, kaip parodyta paveikslėlyje, naudokite krašto kreiptuvą (kreipiamąją liniuotę).

Nubrėžkite ant ruošinio obliavimo liniją. Įstatykite krašto kreiptuvą į įrankio priekyje esančią kiaurymę. Sulygiuokite ašmenų kraštą su pjovimo linija.

► **Pav.13:** 1. Ašmenų kraštas 2. Pjovimo linija

Reguliuokite krašto kreiptuvą tol, kol jis palies ruošinio kraštą, tada pritvirtinkite jį, užverždami varžtus.

► **Pav.14:** 1. Varžtas 2. Krašto kreiptuvus

Pjudami stumkite įrankį su krašto kreipikliu, sulygiavę jį su ruošinio kraštu. Kitaip obliavimas bus nelygus.

### ► Pav.15

Maksimalus užleistinio sujungimo (įlaidavimo) gylis yra 9 mm (11/32 col.).

Galite pailginti kreiptuvą, pritvirtindami prie jo papildomą medžio kaladėlę. Šiam tikslui ir pailginimo kreiptuvui prijungti (pasirenkamas priedas) kreiptuve padarytos patogios skylės.

### ► Pav.16

**PASTABA:** Kreipiamosios liniuotės forma įvairiose šalyse gali skirtis. Kai kuriose šalyse kreipiamoji liniuotė kaip standartinis priedas nepateikiama.

## Kampų nulyginimas

### ► Pav.17

### ► Pav.18

Kampui nupjauti, kaip parodyta paveikslėlyje, sulygiuokite „V“ formos griovelį, esantį priekiniame pagrinde, su ruošinio kraštu ir nuobliuokite jį.

## TECHNINĖ PRIEŽIŪRA

**▲ PERSPĖJIMAS:** Prieš pradėdami įrankio tikrinimo arba techninės priežiūros darbus, visuomet būtinai išjunkite įrankį ir atjunkite jį nuo maitinimo tinklo.

**▲ PERSPĖJIMAS:** Niekada nenaudokite gazolino, benzino, tirpiklio, spirito arba panašių medžiagų. Gali atsirasti išblukimų, deformacijų arba įtrūkimų.

## Obliaus ašmenų galandimas

### *Tik standartinių oblių ašmenims*

Nuolat galąskite obliaus ašmenis, kad darbas būtų kuo našesnis. Išstrupėjimams šalinti, kad kraštas būtų lygus, naudokite galandimo laikiklį (papildomas priedas).

► **Pav.19:** 1. Galandimo laikiklis

Pirmiausia atsukite dvi sparnuotąsias veržles, esančias ant laikiklio, ir įkiškite ašmenis (A) ir (B), kad jie paliestų kraštus (C) ir (D). Po to tvirtai užveržkite sparnuotąsias veržles.

► **Pav.20:** 1. Sparnuotoji veržlė 2. Obliaus ašmenys (A) 3. Obliaus ašmenys (B) 4. Kraštas (D) 5. Kraštas (C)

Prieš pradėdami galąsti, pamerkite galandimo akmenį į vandenį 2 ar 3 minutėms. Laikykite laikiklį taip, kad abiejų peilių ašmenys liestų galandimo akmenį vienu metu ir tuo pačiu kampu.

### ► Pav.21

## Anglinių šepetėlių keitimas

### ► Pav.22: 1. Ribos žymė

Reguliariai išimkite ir patikrinkite anglinius šepetėlius. Pakeiskite juos, kai nusidėvi iki ribos žymės. Pasirūpinkite, kad angliniai šepetėliai būtų švarūs ir laisvai įslinktų į laikiklius. Abu angliniai šepetėliai turėtų būti keičiami tuo pačiu metu. Naudokite tik identiškus anglinius šepetėlius.

Jei norite nuimti apsauginį gaubtą nuo skiedrų arba antgalį, naudokite atsuktuvą.

► **Pav.23:** 1. Apsauginis gaubtas nuo skiedrų arba antgalis 2. Atsuktuvus

Jei norite nuimti šepetėlių laikiklių dangtelius, pasinaudokite atsuktuvu.

Išimkite sudėvėtus anglinius šepetėlius, įdėkite naujus ir įtvirtinkite šepetėlių laikiklio dangtelį.

► **Pav.24:** 1. Šepetėlio laikiklio dangtelis 2. Atsuktuvus

Kad gaminys būtų SAUGUS ir PATIKIMAS, jį taisyti, apžiūrėti ar vykdyti bet kokią kitą priežiūrą ar derinimą turi įgaliojasis kompanijos „Makita“ techninės priežiūros centras; reikia naudoti tik kompanijos „Makita“ pagamintą atsarginę dalis.

## TEHNILISED ANDMED

<b>Mudel:</b>	<b>M1902</b>	
Hööveldamise laius	82 mm	
Hööveldamise sügavus	1 mm	
Poolsulundamise sügavus	9 mm	
Koormuseta kiirus	16 000 min <sup>-1</sup>	
Üldpikkus	Ilma jalata	278 mm
	Jalaga	285 mm
Netokaal	2,8 kg	
Ohutusklass	□/II	

- Meie pideva uuringu- ja arendusprogrammi tõttu võidakse tehnilisi andmeid muuta ilma sellest ette teatamata.
- Tehnilised andmed võivad riigiti erineda.
- Kaal EPTA-protseduuri 01/2014 kohaselt

### Kavandatud kasutus

Tööriist on ette nähtud puidu hooeldamiseks.

### Vooluvarustus

Seadet võib ühendada ainult andmesildil näidatud pingega vooluvõrku ning seda saab kasutada ainult ühefaasilisel vahelduvvoolutoitel. Seadmel on kahekordne isolatsioon ning seega võib seda kasutada ka ilma maandusjuhtmeta pistikupessa ühendatult.

### Müra

Tüüpiline A-korrigeeritud müratase, määratud standardi EN62841-2-14 kohaselt:

Heliõhutamise ( $L_{pA}$ ): 84 dB (A)

Heli võimsuse tase ( $L_{WA}$ ): 95 dB (A)

Määramatus (K): 3 dB (A)

**MÄRKUS:** Deklareeritud müra väärtust (väärtuseid) on mõõdetud kooskõlas standardse katsemeetodiga ning seda võib kasutada ühe seadme võrdlemiseks teisega.

**MÄRKUS:** Deklareeritud müra väärtust (väärtuseid) võib kasutada ka mürataseme esmaseks hindamiseks.

**⚠ HOIATUS:** Kasutage kõrvakaitsmeid.

**⚠ HOIATUS:** Müratase võib elektritööriista tegelikkuses kasutamise ajal erineda deklareeritud väärtus(t)est olenevalt tööriista kasutusviisidest ja eriti töödeldavast toorikust.

**⚠ HOIATUS:** Rakendage operaatori kaitsmiseks kindlasti piisavaid ohutusabinõusid, mis põhinevad hinnangulisel müratasemel tegelikus tööolukorras (võttes arvesse tööperioodi kõiki osasid, näiteks korrad, kui seade lülitatakse välja ja seade töötab tühikäigul, lisaks tööajale).

### Vibratsioon

Vibratsiooni koguväärtus (kolmeteljeliste vektorite summa) määratud standardi EN62841-2-14 kohaselt:

Töörežiim: pinna lihvimine

Vibratsiooniheide ( $a_{h1}$ ): 3,0 m/s<sup>2</sup>

Määramatus (K): 1,5 m/s<sup>2</sup>

**MÄRKUS:** Deklareeritud vibratsiooni koguväärtust (-väärtuseid) on mõõdetud kooskõlas standardse katsemeetodiga ning seda võib kasutada ühe seadme võrdlemiseks teisega.

**MÄRKUS:** Deklareeritud vibratsiooni koguväärtust (-väärtuseid) võib kasutada ka mürataseme esmaseks hindamiseks.

**⚠ HOIATUS:** Vibratsioonitase võib elektritööriista tegelikkuses kasutamise ajal erineda deklareeritud väärtus(t)est olenevalt tööriista kasutusviisidest ja eriti töödeldavast toorikust.

**⚠ HOIATUS:** Rakendage operaatori kaitsmiseks kindlasti piisavaid ohutusabinõusid, mis põhinevad hinnangulisel müratasemel tegelikus tööolukorras (võttes arvesse tööperioodi kõiki osasid, näiteks korrad, kui seade lülitatakse välja ja seade töötab tühikäigul, lisaks tööajale).

### EÜ vastavusdeklaratsioon

*Ainult Euroopa riikide puhul*

EÜ vastavusdeklaratsioon sisaldub käesoleva juhendi Lisas A.

# OHUTUSHOIATUSED

## Üldised elektritööriistade ohutushoiatused

**⚠HOIATUS:** Lugege läbi kõik selle elektritööriistaga kaasas olevad ohutushoiatused, juhised, joonised ja tehnilised andmed. Järgnevate juhiste eiramine võib põhjustada elektrilöögi, süttimise ja/või raske kehavigastuse.

## Hoidke edaspidisteks viideteks alles kõik hoiatused ja juhtnöörid.

Hoiatuses kasutatud termini „elektritööriist“ all peetakse silmas elektriga töötavaid (juhtmega) elektritööriistu või akuga töötavaid (juhtmata) elektritööriistu.

## Höövli ohutusnõuded

1. Enne tööriista mahapanemist oodake, kuni lõiketera on seiskunud. Välja ulatuv pöörlev lõiketera võib pinnaga haakuda, mis võib põhjustada seadme üle kontrolli kaotamise ja raske kehavigastuse.
2. Hoidke elektritööriista isoleeritud haardepindadest, kuna lõikur võib puutuda vastu seadme toitejuhet. Voolu all oleva juhtmega kokku puutuv lõiketera võib pingestada elektritööriista metallosi ja põhjustada kasutajale elektrilöögi.
3. Kasutage detaili kinnitamiseks ja stabiilsele alusele toetamiseks klambreid või mõnda muud sobivat viisi. Töödeldava detaili hoidmisel käega või selle toetamisel vastu keha on detail ebastabiilses asendis ja detaili üle võib kaduda kontroll.
4. Tööpiirkonda ei tohi kunagi jätta riideräbalaid, -lappe, nööri, paela ja muud sarnast.
5. Vältige naeltesse sisselõikamist. Enne toimingute tegemist kontrollige töödeldavat detaili ja eemaldage sellest kõik naelad.
6. Kasutage ainult teravaid lõiketerasid. Käsitsege lõigeterasid väga ettevaatlikult.
7. Enne kasutamist veenduge, et lõiketera paigalduspoldid oleks kindlalt pingutatud.
8. Hoidke tööriista kindlalt kahe käega.
9. Hoidke käed pöörlevatest osadest eemal.
10. Enne tööriista kasutamist töödeldaval detailil laske sellel mõnda aega koormuseta töötada. Olge tähelepanelik vibratsiooni või vibamise suhtes, mis võib anda märku väärast paigaldusest või halvasti tasakaalustatud lõiketerast.
11. Veenduge, et lõiketera ei puutuks enne tööriista sisselülitamist vastu töödeldavat detaili.
12. Enne lõikamist oodake, kuni lõiketera saavutab täiskiiruse.
13. Enne reguleerimist lülitage tööriist alati välja ja oodake, kuni lõiketerad on lõplikult seiskunud.
14. Ärge kunagi pistke oma sõrme laasturenni. Niiske puidu lõikamisel võib renn ummistuda. Eemaldage laastud pulgaga.
15. Ärge jätke tööriista töötama. Käitage tööriista ainult käes hoides.
16. Vahetage alati mõlemad lõiketerad või katted trumliil. Muidu on tulemuseks tasakaalu puudumine, mis põhjustab vibratsiooni ja lühendab tööriista kasutusiga.
17. Kasutage ainult kasutusjuhendis ette nähtud Makita lõiketerasid.

18. Kasutage alati õiget tolmumaski/respiraatorit, mis vastab materjalile ja rakendusele, millega töötate.

## HOIDKE JUHEND ALLES.

**⚠HOIATUS:** ÄRGE UNUSTAGE järgida toote ohutusnõudeid mugavuse või toote (korduskasutamise saavutatud) hea tundmise tõttu.

**VALE KASUTUS** või kasutusjuhendi ohutuseeskirjade eiramine võib põhjustada tervisekahjustusi.

## FUNKTSIONAALNE KIRJELDUS

**⚠ETTEVAATUST:** Kandke alati hoolt selle eest, et tööriist oleks enne reguleerimist ja kontrollimist välja lülitatud ja vooluvõrgust lahti ühendatud.

## Lõikesügavuse reguleerimine

► Joon.1: 1. Osuti 2. Nupp

Lõikesügavust saab reguleerida, keerates lihtsalt tööriista esiosas olevat nuppu, nii et osuti näitab soovitud lõikesügavust.

## Lüliti töötamine

► Joon.2: 1. Lüliti päästik 2. Lukustus- või blokeerimisnupp

**⚠ETTEVAATUST:** Kontrollige alati enne tööriista vooluvõrku ühendamist, kas lüliti päästik funktsioneerib nõuete kohaselt ja liigub lahtilaskmisel tagasi väljalülitatud asendisse.

## Lukustusnupuga tööriist

**⚠ETTEVAATUST:** Pikemaajalisel kasutamisel saab operaatori mugavuse huvides lukustada lüliti sisselülitatud asendisse. Tööriista lukustamisel sisselülitatud asendisse olge ettevaatlik ja hoidke tööriista kindlas haardes.

Tööriista käivitamiseks on vaja lihtsalt päästikut vajutada. Seiskamiseks vabastage päästik. Kestva töötamise korral vajutage päästikut ja suruge seejärel lukustusnupp sisse. Lukustatud tööriista seiskamiseks tõmmake lüliti päästik lõpuni ja seejärel vabastage see.

## Blokeerimisnupuga tööriist

Päästiku juhusliku vajutamise vältimiseks on tööriistal blokeerimisnupp. Tööriista käivitamiseks vajutage blokeerimisnupp alla ja vajutage päästikule. Seiskamiseks vabastage päästik.

**⚠ETTEVAATUST:** Ärge vajutage jõuga päästikule ilma blokeerimisnuppu vajutamata. See võib põhjustada lüliti purunemise.

## Jalam

### Riigiti erinev

► **Joon.3:** 1. Hõõltera 2. Tagumine alus 3. Jalam

Tõstke pärast lõikamist tööriista tagumist osa, nii et jalam tuleb tagumisest alusest välja. Nii ei saa hõõltera kahjustada.

## KOKKUPANEK

**⚠ETTEVAATUST:** Enne tööriista mingite tööde tegemist kandke alati hoolt selle eest, et see oleks välja lülitatud ja vooluvõrgust lahti ühendatud.

## Hõõlterade eemaldamine või paigaldamine

**⚠ETTEVAATUST:** Hõõlterade kinnitamisel tööriista külge pingutage hoolikalt lõiketera paigalduspoltte. Logisev paigalduspolt võib olla ohtlik. Kontrollige alati, kas poldid on kindlalt pingutatud.

**⚠ETTEVAATUST:** Käsitsege hõõlteraseid väga ettevaatlikult. Lõiketerade eemaldamise või paigaldamise ajal kasutage sõrmede või käte kaitsmiseks kindaid või kaitse.

**⚠ETTEVAATUST:** Hõõlterade eemaldamiseks või paigaldamiseks kasutage ainult kaasas olevat Makita nutrivõtit. Muidu võib paigalduspoltide pingutus olla kas liiga tugev või siis liiga nõrk. See võib põhjustada kehavigastuse.

## Tavaliste hõõlteradega tööriist

Hõõlterade trumli eemaldamiseks keerake paigalduspoldid kuuskantvõtmega lahti. Koos lõiketeradega tuleb ära ka trumlikate.

► **Joon.4:** 1. Kuuskantvõti 2. Poldid

► **Joon.5:** 1. Poldid 2. Trummel 3. Hõõltera 4. Trumlikate 5. Reguleerimisplaat 6. Soon

Hõõlterade paigaldamiseks tehke järgmist.

1. Puhastage trummel ja hõõlterad alati kõikidest külge jäänud laastudest ja võõrkehadest.

2. Valige samade mõõtmete ja kaaluga hõõlterad. Muidu on tulemuseks värisemine ja vibratsioon, mis halvendab hõõlterade töötamist ja toob lõpuks kaasa tööriista purunemise.

3. Kasutage hõõlterade õigesti seadistamiseks teramõõdikut. Asetage hõõltera teramõõdikule. Seadke tera lõikeserv teramõõdiku siseküljele.

► **Joon.6:** 1. Teramõõdiku sisekülg 2. Teraserv 3. Hõõltera 4. Reguleerimisplaat 5. Kruvid 6. Kand 7. Teramõõdiku tagakülg 8. Teramõõdik

4. Asetage reguleerimisplaat hõõlterale. Vajutage reguleerimisplaati selliselt, et selle kand oleks ühel kõrgusel teramõõdiku tagaküljega. Pingutage reguleerimisplaadil asuvat kahte kruvi.

5. Libistage reguleerimisplaadi kand trumli soonde ja kinnitage trumlikate selle peale.

6. Keerake kõik paigalduspoldid kuuskantvõtme abil üle ühe ühtlaselt kinni.

7. Korra eespool kirjeldatud toiminguid ka teise tera puhul.

## Minihõõlteradega tööriist

Minihõõlterade vahetamiseks tegutsege järgmiselt.

1. Puhastage hoolikalt trumli pinnad ja trumlikate.

2. Eemaldage kuuskantvõtme abil kolm paigalduspolti. Eemaldage trumlikate, reguleerimisplaat, paigaldusplaat ja minihõõltera.

► **Joon.7:** 1. Kuuskantvõti 2. Poldid

3. Kasutage hõõlterade õigesti seadistamiseks teramõõdikut. Asetage minihõõltera teramõõdikule. Seadke tera lõikeserv teramõõdiku siseküljele.

► **Joon.8:** 1. Kruvid 2. Reguleerimisplaat 3. Hõõltera asukohasakid 4. Reguleerimisplaadi kand 5. Paigaldusplaat 6. Teramõõdiku sisekülg 7. Teramõõdik 8. Teramõõdiku tagakülg 9. Minihõõltera

4. Kinnitage reguleerimisplaat kruvidega nõrgalt paigaldusplaadile. Asetage reguleerimis- ja paigaldusplaat teramõõdikule. Ühitage paigaldusplaadil olevad hõõltera asukohasakid minihõõltera soonde.

5. Asetage reguleerimisplaadi kand teramõõdiku tagaküljele ja pingutage kruvid. Ühtlase lõike kindlustamiseks kontrollige hoolikalt joondusi.

6. Libistage reguleerimisplaadi kand trumli soonde.

7. Asetage trumlikate paigaldusplaadile ja kinnitage see kolme poldiga nõrgalt trumli. Libistage minihõõltera trumli ja paigaldusplaadi vahelisse vahesse. Veenduge, et paigaldusplaadil olevad hõõltera asukohasakid sobitaks minihõõltera soonde.

► **Joon.9:** 1. Minihõõltera 2. Soon 3. Paigaldusplaat 4. Poldid 5. Trumlikate 6. Trummel 7. Reguleerimisplaat

8. Reguleerige minihõõltera pikisuunalist asendit selliselt, et tera otsad jääksid vabaks ja võrdsele kaugusele ühel küljel olevast korpusest ja teisel küljel olevast metallklambrist.

9. Pingutage kaasasoleva otsnutrivõtme abil kolme polti ja pöörake trumli, et kontrollida vahemaad tera otste ja tööriista korpuse vahel.

10. Kontrollige, et kolm polti oleksid korralikult kinni keeratud.

11. Korra eespool kirjeldatud toiminguid ka teise tera puhul.

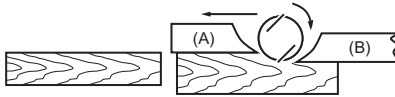
## Höövliterade õige seadistamine

Kui höövlitera pole õigesti ja korralikult seadistatud, on hööveldamisel tulemuseks kare ja ebaühtlane pind. Höövlitera tuleb paigaldada selliselt, et lõiketera oleks täiesti sirge, st tagumise aluse pinnaga paralleelne. Vaadake õige ja vale seadistamise kohta allpool toodud näiteid.

(A) Eesmine alus (liigutatav tald)

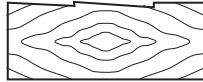
(B) Tagumine alus (fikseeritud tald)

Õige seade



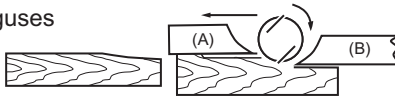
Kuigi vaate sellelt küljelt ei ole seda näha, jooksevad tera servad tagumise aluse pinnaga perfektselt paralleelselt.

Sälgud pinnal



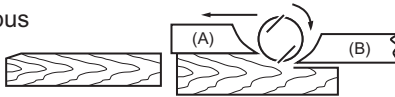
Põhjus: üks või mõlemad terad ei ole tagumise aluse joonega paralleelsed.

Pinnalõikamine alguses



Põhjus: üks või mõlemad terad ei ulatu tagumise aluse joone suhtes piisavalt välja.

Pinnalõikamine lõpus



Põhjus: üks või mõlemad terad ulatuvad tagumise aluse joone suhtes liiga kaugele välja.

## Tolmuimeja ühendamine

**MÄRKUS:** Mõnes riigis ei pruugi otsak olla lisatud põhivarustusena tööriista pakendisse.

► Joon.10

### Otsakuga tööriistale

Ühendage tolmuimeja voolik otsaku külge.

### Otsakuta tööriistale

1. Eemaldage laastukaitse tööriista küljest.
2. Paigaldage otsak kruvide abil tööriista külge.
3. Ühendage tolmuimeja voolik otsaku külge.

## Otsaku puhastus

Puhastage otsakut regulaarselt.

Kasutage ummistunud otsaku puhastamiseks suruõhku.

## TÖÖRIISTA KASUTAMINE

**HOIATUS:** Kehavigastuste ohu vähendamiseks ärge kasutage ilma otsaku ega laastukatteta.

Hoidke tööriista töötamise ajal kindlalt, hoides üht kätt nupul ja teist kätt lüliti käepidemel.

## Hööveldamine

► Joon.11: 1. Algus 2. Lõpp

Asetage tööriista eesmine alus lapiti vastu töödeldava detaili pinda, ilma et terad seda puudutaksid. Lülitage tööriist sisse ja oodake, kuni terad saavutavad täiskii- rusega ette. Hööveldamise alustamisel avaldage survet tööriista esiosale, hööveldamise lõpus aga tagaosale.

Lõpptulemuse määravad hööveldamise kiirus ja lõike- sügavus. Hea pinnaviimistluse saamiseks hööveldage sügavalt kuni soovitud sügavusele ligilähedase süga- vuse saavutamiseni ning hööveldage viimane käik õhukeselt ja aeglaselt.

## Poolsulundamine (astmeliste lõigete tegemine)

► Joon.12

Astmelise lõike tegemiseks (nagu joonisel näidatud) kasutage servapiiret (juhtjoonlauda).

Tõmmake töödeldavale detailile lõikejoon. Sisestage servapiire tööriista esiosas olevasse avasse. Seadke tera serv lõikejoonega kohakuti.

► Joon.13: 1. Teraserv 2. Lõikejoon

Reguleerige servapiiret, kuni see puutub vastu töödel- dava detaili külge, seejärel kinnitage see kruviga.

► Joon.14: 1. Kruvi 2. Serva piire

Hööveldamisel liigutage tööriista nii, et servapiire oleks töödeldava detaili küljega ühel joonel. Muidu võib saa- dav hööveldamistulemus olla ebaühtlane.

### ► Joon.15

Maksimaalne poolsulundamissügavus (astmeliste lõigete sügavus) on 9 mm.

Soovi korral võite piiret pikendada, kinnitades lisaks ühe puidutüki. Selleks otstarbeks ja pikendusjuhiku (lisatarvik) kinnitamiseks on piirdes vastavad avad.

### ► Joon.16

**MÄRKUS:** Juhtjoonlaua kuju võib riigiti erineda. Mõnes riigis ei kuulu juhtjoonlaud standardvarustusse.

## Faasimine

### ► Joon.17

### ► Joon.18

Faasimisloike tegemiseks (nagu joonisel näidatud) seadke eesmisel alusel olev V-kujuline soon töödeldava detaili servaga kohakuti ning hõõveldage seda.

## HOOLDUS

**⚠ETTEVAATUST:** Enne kontroll- või hooldustoimingute tegemist kandke alati hoolt selle eest, et tööriist oleks välja lülitatud ja vooluvõrgust lahti ühendatud.

**⚠ETTEVAATUST:** Ärge kunagi kasutage bensiini, vedeldit, alkoholi ega midagi muud sarnast. Selle tulemuseks võib olla luitumine, deformatsioon või pragunemine.

## Höövli terade teritamine

### *Ainult tavalised höövli terad*

Parima tulemuse saavutamiseks hoidke höövli terad alati teravana. Kasutage sälkude eemaldamiseks ja terava ääre saamiseks teritamishoidikut (lisatarvik).

### ► Joon.19: 1. Teritamishoidik

Esmalt keerake kaks hoidikul olevat tiibmutrit lahti ja sisestage höövli terad (A) ja (B) nii, et need puudutaksid külgi (C) ja (D). Seejärel pingutage tiibmutrid.

### ► Joon.20: 1. Tiibmutter 2. Höövli tera (A) 3. Höövli tera (B) 4. Külg (D) 5. Külg (C)

Enne teritamist hoidke lihvkivi 2-3 minutit vees. Üheaegselt ja sama nurga all teritamiseks hoidke hoidikut nii, et mõlemad terad puudutaksid lihvkivi.

### ► Joon.21

## Süsiharjade asendamine

### ► Joon.22: 1. Piirmärgis

Võtke välja ja kontrollige sõeharju regulaarselt. Asendage sõeharjad uutega, kui need on piirmärgini kulunud. Hoidke sõeharjad puhtad, nii on neid lihtne hoidikutesse libistada. Mõlemad sõeharjad tuleb asendada korraga. Kasutage üksnes identseid sõeharju.

Kasutage laastukaitsme või otsaku eemaldamiseks kruvikeerajat.

### ► Joon.23: 1. Laastukaitsme või otsak 2. Kruvikeeraja

Kasutage harjahoidikute kaante eemaldamiseks kruvikeerajat.

Võtke ära kulunud süsiharjad välja, paigaldage uued ning kinnitage harjahoidikute kaaned tagasi.

### ► Joon.24: 1. Harja hoidekork 2. Kruvikeeraja

Toote OHUTUSE ja TÖÖKINDLUSE tagamiseks tuleb vajalikud remonttööd ning muud hooldus- ja reguleerimistööd lasta teha Makita volitatud teeninduskeskustes või tehase teeninduskeskustes. Alati tuleb kasutada Makita varuosi.

## ТЕХНИЧЕСКИЕ ХАРАКТЕРИСТИКИ

Модель:		M1902
Ширина строгания		82 мм
Глубина строгания		1 мм
Глубина фальцевания		9 мм
Число оборотов без нагрузки		16 000 мин <sup>-1</sup>
Общая длина	Без опоры	278 мм
	С опорой	285 мм
Масса нетто		2,8 кг
Класс безопасности		□/II

- Благодаря нашей постоянно действующей программе исследований и разработок указанные здесь технические характеристики могут быть изменены без предварительного уведомления.
- Технические характеристики могут различаться в зависимости от страны.
- Масса в соответствии с процедурой EPTA 01/2014

### Назначение

Данный инструмент предназначен для строгания древесины.

### Источник питания

Данный инструмент должен подключаться к источнику питания с напряжением, соответствующим напряжению, указанному на идентификационной пластине, и может работать только от однофазного источника переменного тока. Он имеет двойную изоляцию и поэтому может подключаться к розеткам без заземления.

### Шум

Типичный уровень взвешенного звукового давления (A), измеренный в соответствии с EN62841-2-14:  
 Уровень звукового давления (L<sub>р,А</sub>): 84 дБ (A)  
 Уровень звуковой мощности (L<sub>вн,А</sub>): 95 дБ (A)  
 Погрешность (K): 3 дБ (A)

**ПРИМЕЧАНИЕ:** Заявленное значение распространения шума измерено в соответствии со стандартной методикой испытаний и может быть использовано для сравнения инструментов.

**ПРИМЕЧАНИЕ:** Заявленное значение распространения шума можно также использовать для предварительных оценок воздействия.

**⚠ОСТОРОЖНО:** Используйте средства защиты слуха.

**⚠ОСТОРОЖНО:** Распространение шума во время фактического использования электроинструмента может отличаться от заявленного значения в зависимости от способа применения инструмента и в особенности от типа обрабатываемой детали.

**⚠ОСТОРОЖНО:** Обязательно определите меры безопасности для защиты оператора, основанные на оценке воздействия в реальных условиях использования (с учетом всех этапов рабочего цикла, таких как выключение инструмента, работа без нагрузки и включение).

### Вибрация

Суммарное значение вибрации (сумма векторов по трем осям), определенное в соответствии с EN62841-2-14:

Рабочий режим: плоское шлифование  
 Распространение вибрации (a<sub>v</sub>): 3,0 м/с<sup>2</sup>  
 Погрешность (K): 1,5 м/с<sup>2</sup>

**ПРИМЕЧАНИЕ:** Заявленное общее значение распространения вибрации измерено в соответствии со стандартной методикой испытаний и может быть использовано для сравнения инструментов.

**ПРИМЕЧАНИЕ:** Заявленное общее значение распространения вибрации можно также использовать для предварительных оценок воздействия.

**⚠ОСТОРОЖНО:** Распространение вибрации во время фактического использования электроинструмента может отличаться от заявленного значения в зависимости от способа применения инструмента и в особенности от типа обрабатываемой детали.

**⚠ОСТОРОЖНО:** Обязательно определите меры безопасности для защиты оператора, основанные на оценке воздействия в реальных условиях использования (с учетом всех этапов рабочего цикла, таких как выключение инструмента, работа без нагрузки и включение).

### Декларация о соответствии ЕС

*Только для европейских стран*

Декларация о соответствии ЕС включена в руководство по эксплуатации (Приложение А).



# МЕРЫ БЕЗОПАСНОСТИ

## Общие рекомендации по технике безопасности для электроинструментов

**▲ОСТОРОЖНО:** Ознакомьтесь со всеми представленными инструкциями по технике безопасности, указаниями, иллюстрациями и техническими характеристиками, прилагаемыми к данному электроинструменту. Несоблюдение каких-либо инструкций, указанных ниже, может привести к поражению электрическим током, пожару и/или серьезной травме.

## Сохраните брошюру с инструкциями и рекомендациями для дальнейшего использования.

Термин "электроинструмент" в предупреждениях относится ко всему инструменту, работающему от сети (с проводом) или на аккумуляторах (без провода).

## Меры безопасности при использовании рубанка

1. Перед тем как положить инструмент, убедитесь, что нож остановился. Выступающий вращающийся нож может зацепить поверхность, что может привести к потере контроля над инструментом и серьезной травме.
2. При выполнении работ существует риск контакта ножа со шнуром питания, поэтому держите электроинструмент только за специальные изолированные поверхности. Разрезание находящегося под напряжением провода может привести к передаче напряжения на металлические части инструмента, что станет причиной поражения оператора током.
3. Для фиксации разрезаемой детали на устойчивой поверхности используйте зажимы или другие соответствующие приспособления. Не держите обрабатываемую деталь в руках и не прижимайте ее к телу, так как это не обеспечит устойчивого положения детали и может привести к потере контроля над инструментом.
4. Ветошь, тряпки, шнуры и веревки никогда не должны располагаться около места выполнения работ.
5. Избегайте попадания режущего инструмента на гвозди. Перед выполнением работ осмотрите деталь и удалите из нее все гвозди.
6. Используйте только острые лезвия. Обращайтесь с лезвиями очень аккуратно.
7. Перед началом работ убедитесь, что установочные болты лезвий надежно затянуты.
8. Крепко держите инструмент обеими руками.
9. Руки должны находиться на расстоянии от вращающихся деталей.

10. Перед использованием инструмента для обработки детали дайте ему немного поработать вхолостую. Убедитесь в отсутствии вибрации или биения, которые могут свидетельствовать о неправильной установке или дисбалансе лезвия.
11. Перед включением убедитесь в том, что полотно не касается обрабатываемой детали.
12. Перед началом резки дождитесь, пока лезвие наберет полную скорость.
13. Перед выполнением каких-либо регулировок обязательно выключите инструмент и дождитесь его полной остановки.
14. Ни в коем случае не допускайте попадания пальцев в желоб отвода стружки. Желоб может забиться при работе с влажной древесины. Очистите желоб палочкой.
15. Не оставляйте работающий инструмент без присмотра. Включайте инструмент только тогда, когда он находится в руках.
16. Всегда заменяйте оба лезвия или обе крышки барабана. В противном случае может возникнуть дисбаланс, что приведет к вибрации и сокращению срока службы инструмента.
17. Используйте только лезвия компании Makita, указанные в данном руководстве.
18. Обязательно используйте соответствующую пылезащитную маску/респиратор для защиты дыхательных путей от пыли разрезаемых материалов.

## СОХРАНИТЕ ДАННЫЕ ИНСТРУКЦИИ.

**▲ОСТОРОЖНО:** НЕ ДОПУСКАЙТЕ, чтобы удобство или опыт эксплуатации данного устройства (полученный от многократного использования) доминировали над строгим соблюдением правил техники безопасности при обращении с этим устройством. НЕПРАВИЛЬНОЕ ИСПОЛЬЗОВАНИЕ инструмента или несоблюдение правил техники безопасности, указанных в данном руководстве, может привести к тяжелой травме.

## ОПИСАНИЕ РАБОТЫ

**▲ВНИМАНИЕ:** Перед регулировкой или проверкой функций инструмента обязательно убедитесь, что он выключен и его вилка вынута из розетки.

### Регулировка глубины среза

► **Рис.1:** 1. Указатель 2. Круглая ручка

Глубину резания можно отрегулировать простым поворотом ручки на передней стороне инструмента: стрелка указывает необходимую глубину среза.

### Действие выключателя

► **Рис.2:** 1. Триггерный переключатель 2. Кнопка блокировки или кнопка разблокировки

**▲ВНИМАНИЕ:** Перед включением инструмента в розетку обязательно убедитесь, что триггерный переключатель работает надлежащим образом и возвращается в положение "ВЫКЛ", если его отпустить.

### Для инструмента с кнопкой блокировки

**▲ВНИМАНИЕ:** В случае продолжительной работы для удобства оператора переключатель можно зафиксировать в положении "ВКЛ.". Соблюдайте осторожность при фиксации инструмента в положении "ВКЛ." и крепко удерживайте инструмент.

Для запуска инструмента просто нажмите на триггерный переключатель. Отпустите триггерный переключатель для остановки.

При продолжительной эксплуатации нажмите на триггерный переключатель, затем нажмите кнопку блокировки.

Для остановки инструмента из заблокированного положения полностью нажмите триггерный переключатель, затем отпустите его.

### Для инструмента с кнопкой разблокировки

Для предотвращения непреднамеренного включения триггерного переключателя имеется кнопка разблокировки.

Для запуска инструмента, отпустите кнопку блокировки, затем потяните триггерный переключатель. Отпустите триггерный переключатель для остановки.

**▲ВНИМАНИЕ:** Не давите сильно на триггерный переключатель, если не была нажата кнопка разблокировки. Это может привести к поломке переключателя.

## Опора

*В зависимости от страны*

► **Рис.3:** 1. Лезвие рубанка 2. Заднее основание 3. Опора

После резки поднимите заднюю часть инструмента, при этом опора будет под уровнем заднего основания. Это предотвратит повреждение лезвий рубанка.

## СБОРКА

**▲ВНИМАНИЕ:** Перед проведением каких-либо работ с инструментом обязательно проверьте, что инструмент выключен, а шнур питания вынут из розетки.

### Установка или снятие лезвий рубанка

**▲ВНИМАНИЕ:** При креплении лезвий к рубанку тщательно затяните установочные болты лезвий. Незатянутый установочный болт может быть опасен. Всегда проверяйте, крепко ли они затянуты.

**▲ВНИМАНИЕ:** Обращайтесь с лезвиями рубанка очень аккуратно. Используйте перчатки или тряпки для защиты пальцев или рук при снятии и установке лезвий.

**▲ВНИМАНИЕ:** Для снятия или установки лезвий рубанка используйте только специальным ключом Makita. Несоблюдение данного требования может привести к перетяжке или недостаточной затяжке установочных болтов. Это может стать причиной травмы.

### Для инструмента со стандартными лезвиями рубанка

Для снятия лезвий рубанка с барабана открытые установочные болты с помощью шестигранного ключа. Крышка барабана снимается вместе с лезвиями.

► **Рис.4:** 1. Шестигранный ключ 2. Болты

► **Рис.5:** 1. Болты 2. Барабан 3. Лезвие рубанка 4. Крышка барабана 5. Регулировочная пластина 6. Паз

Чтобы установить лезвия рубанка, выполните следующие действия.

1. Удалите все опилки или инородные частицы, прилипшие к барабану и/или лезвиям рубанка.
2. Выберите лезвия того же размера и веса. При несоблюдении этой рекомендации колебание/вибрация барабана приведет к ухудшению строгания, и, в результате, к поломке инструмента.

3. Чтобы правильно установить лезвия рубанка, используйте шкалу лезвия. Разместите лезвие рубанка на шкале лезвия. Совместите режущую кромку лезвия с внутренней стороной шкалы лезвия.

► **Рис.6:** 1. Внутренняя сторона шкалы лезвия  
2. Кромка лезвия 3. Лезвие рубанка  
4. Регулировочная пластина 5. Винты  
6. Тыльная сторона 7. Внешняя сторона шкалы лезвия 8. Шкала лезвия

4. Разместите регулировочную пластину на лезвии рубанка. Надавите на регулировочную пластину так, чтобы ее тыльная сторона оказалась заподлицо с внешней стороной шкалы лезвия. Затяните два винта на регулировочной пластине.

5. Задвиньте тыльную сторону регулировочной пластины в паз барабана и наденьте на нее крышку барабана.

6. Равномерно и попеременно затяните все установочные болты с помощью шестигранного ключа.

7. Повторите описанную выше процедуру для другого лезвия.

## Для инструмента с мини-лезвиями рубанка

Чтобы заменить мини-лезвия рубанка, выполните следующие действия.

1. Тщательно очистите поверхность барабана и крышку барабана.

2. С помощью шестигранного ключа открутите три установочных болта. Снимите крышку барабана, регулировочную пластину, установочную пластину и мини-лезвие рубанка.

► **Рис.7:** 1. Шестигранный ключ 2. Болты

3. Чтобы правильно установить лезвия рубанка, используйте шкалу лезвия. Разместите мини-лезвие рубанка на шкале лезвия. Совместите режущую кромку лезвия с внутренней стороной шкалы лезвия.

► **Рис.8:** 1. Винты 2. Регулировочная пластина  
3. Выступы расположения лезвий рубанка  
4. Тыльная сторона регулировочной пластины 5. Установочная пластина  
6. Внутренняя сторона шкалы лезвия  
7. Шкала лезвия 8. Внешняя сторона шкалы лезвия 9. Мини-лезвие рубанка

4. Установите регулировочную пластину на установочную пластину с помощью винтов, но не затягивайте их. Установите регулировочную пластину на установочную пластину шкалы лезвия. Совместите выступы расположения лезвий рубанка на установочной пластине с пазами мини-лезвий рубанка.

5. Приложите тыльную сторону регулировочной пластины к внешней стороне шкалы лезвия и затяните винты. Тщательно проверьте выравнивание для обеспечения равномерной резки.

6. Задвиньте тыльную сторону регулировочной пластины в паз в барабане.

7. Установите крышку барабана на установочную пластину и слегка закрепите их на барабане с помощью трех болтов. Вставьте мини-лезвие рубанка в зазор между барабаном и установочной пластиной. Убедитесь, что выступы расположения лезвий рубанка на установочной пластине входят в паз мини-лезвий рубанка.

► **Рис.9:** 1. Мини-лезвие рубанка 2. Паз  
3. Установочная пластина 4. Болты  
5. Крышка барабана 6. Барабан  
7. Регулировочная пластина

8. Отрегулируйте положение мини-лезвия по длине так, чтобы края лезвия были свободными и располагались на одинаковом расстоянии от корпуса с одной стороны и металлической скобы с другой стороны.

9. Затяните три болта с помощью входящего в комплект поставки торцевого ключа и поверните барабан для проверки зазоров между краями лезвия и корпусом инструмента.

10. Проверьте окончательную затяжку трех болтов.

11. Повторите описанную выше процедуру для другого лезвия.

## Для правильной установки лезвия рубанка

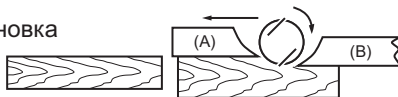
Поверхность строгания будет неровной и неравномерной, если не установить лезвие правильно и прочно. Лезвие необходимо устанавливать так, чтобы режущая кромка была абсолютно ровной, то есть, параллельно поверхности заднего основания.

Ниже приводятся несколько примеров правильной и неправильной установки.

(А) Переднее основание (подвижный башмак)

(В) Заднее основание (неподвижный башмак)

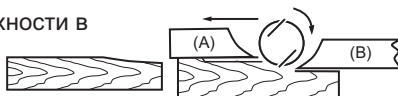
Правильная установка



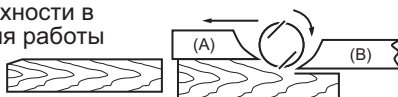
Заусенцы на поверхности



Зарезание поверхности в момент запуска



Зарезание поверхности в момент окончания работы



Кромки лезвий движутся строго параллельно поверхности задней части основания, хотя данная боковая проекция этого не отображает.

Причина: одна или обе кромки лезвия движутся не параллельно поверхности задней части основания.

Причина: одна или обе кромки лезвия не достаточно выступают относительно поверхности задней части основания.

Причина: одна или обе кромки лезвия сильно выступают относительно поверхности задней части основания.

## Подключение пылесоса

**ПРИМЕЧАНИЕ:** В некоторых странах насадка может не входить в стандартный комплект поставки инструмента.

► Рис.10

## Действия при использовании инструмента с насадкой

Подключите шланг пылесоса к насадке.

## Действия при использовании инструмента без насадки

1. Снимите противостружечную крышку с инструмента.
2. Установите насадку на инструмент с помощью винтов.
3. Подключите шланг пылесоса к насадке.

## Очистка насадки

Регулярно очищайте насадку. Для очистки засорившейся насадки используйте сжатый воздух.

## ЭКСПЛУАТАЦИЯ

**⚠ОСТОРОЖНО:** Для снижения риска получения травмы не эксплуатируйте устройство без установленного патрубка или противостружечной крышки.

Во время работы крепко удерживайте инструмент одной рукой за ручку, а другой - за ручку с выключателем.

## Строгание

► Рис.11: 1. Начало 2. Окончание

Опустите переднее основание инструмента на поверхность обрабатываемой детали, при этом лезвия не должны ее касаться. Включите инструмент и подождите, пока лезвия не наберут полную скорость. Затем аккуратно перемещайте инструмент вперед с постоянной скоростью. Надавливайте на переднюю часть инструмента при начале строгания, и на заднюю часть при окончании строгания.

Тип обработки определяется скоростью и глубиной выреза. Чтобы обеспечить надлежащее качество обработки, срежьте толстые слои, пока не достигните желаемой глубины. Затем медленно снимайте тонкие слои во время финального прохода.

## Строгание на фальц (фальцевание)

### ► Рис.12

Для ступенчатого выреза, как показано на рисунке, используйте крайнее ограждение (направляющую линейку).

Нарисуйте линию отреза на обрабатываемой детали. Вставьте крайнее ограждение в отверстие в передней части инструмента. Совместите кромку лезвия с линией отреза.

### ► Рис.13: 1. Кромка лезвия 2. Линия отреза

Отрегулируйте крайнее ограждение, чтобы оно касалось боковой стороны обрабатываемой детали, затем затяните его с помощью винта.

### ► Рис.14: 1. Винт 2. Крайнее ограждение

При строгании, перемещайте инструмент, держа крайнее ограждение заподлицо с боковой стороной обрабатываемой детали. В противном случае строгание будет неровным.

### ► Рис.15

Максимальная глубина строгания на фальц (фальцевания) составляет 9 мм (11/32 дюйма).

Вы можете увеличить высоту ограждения, прикрепив дополнительную деревянную деталь. В ограждении для этого имеются удобные отверстия; также есть отверстия крепления удлинительной направляющей (дополнительная принадлежность).

### ► Рис.16

**ПРИМЕЧАНИЕ:** Форма направляющей линейки различна в разных странах. В некоторых странах направляющая линейка не входит в стандартную комплектацию.

## Фасочный

### ► Рис.17

### ► Рис.18

Для выреза со снятием фаски, как показано на рисунке, совместите V-образный паз в переднем основании с краем обрабатываемой детали и выполните ее строгание.

## ОБСЛУЖИВАНИЕ

**▲ВНИМАНИЕ:** Перед проверкой или проведением техобслуживания убедитесь, что инструмент выключен, а штекер отсоединен от розетки.

**▲ВНИМАНИЕ:** Запрещается использовать бензин, растворители, спирт и другие подобные жидкости. Это может привести к обесцвечиванию, деформации и трещинам.

## Заточка лезвий рубанка

### Только для стандартных лезвий рубанка

Всегда следите за тем, чтобы лезвия были острыми, для достижения наивысшей эффективности. Используйте заточивающий держатель (дополнительная принадлежность) для удаления зазубрин и заточки кромок.

### ► Рис.19: 1. Заточивающий держатель

Сначала ослабьте две барашковые гайки на держателе и вставьте лезвия рубанка (А) и (В), чтобы они соприкасались со сторонами (С) и (D). Затем затяните барашковые гайки.

### ► Рис.20: 1. Барашковая гайка 2. Лезвие рубанка (А) 3. Лезвие рубанка (В) 4. Сторона (D) 5. Сторона (С)

Перед заточкой погрузите шлифовальный камень в воду на 2 или 3 минуты. Удерживайте держатель так, чтобы оба лезвия касались шлифовального камня, для обеспечения одновременной заточки под одним углом.

### ► Рис.21

## Замена угольных щеток

### ► Рис.22: 1. Ограничительная метка

Регулярно снимайте и осматривайте угольные щетки. Заменяйте их, если они изношены до ограничительной отметки. Угольные щетки всегда должны быть чистыми и свободно перемещаться в держателях. Заменяйте обе угольные щетки одновременно. Используйте только идентичные угольные щетки.

Для снятия противостружечной крышки или сопла используйте шуруповерт.

### ► Рис.23: 1. Противостружечная крышка или сопло 2. Шуруповерт

Используйте отвертку для снятия колпачков держателей щеток.

Извлеките изношенные угольные щетки, вставьте новые и закрепите колпачков держателей щеток.

### ► Рис.24: 1. Колпачок держателя щетки 2. Шуруповерт

Для обеспечения БЕЗОПАСНОСТИ и НАДЕЖНОСТИ оборудования ремонт, любое другое техобслуживание или регулировку необходимо производить в уполномоченных сервис-центрах Makita или сервис-центрах предприятия с использованием только сменных частей производства Makita.





**Makita Europe N.V.** Jan-Baptist Vinkstraat 2,  
3070 Kortenberg, Belgium

**Makita Corporation** 3-11-8, Sumiyoshi-cho,  
Anjo, Aichi 446-8502 Japan

[www.makita.com](http://www.makita.com)

885504A986  
EN, SV, NO, FI, LV,  
LT, ET, RU  
20181220