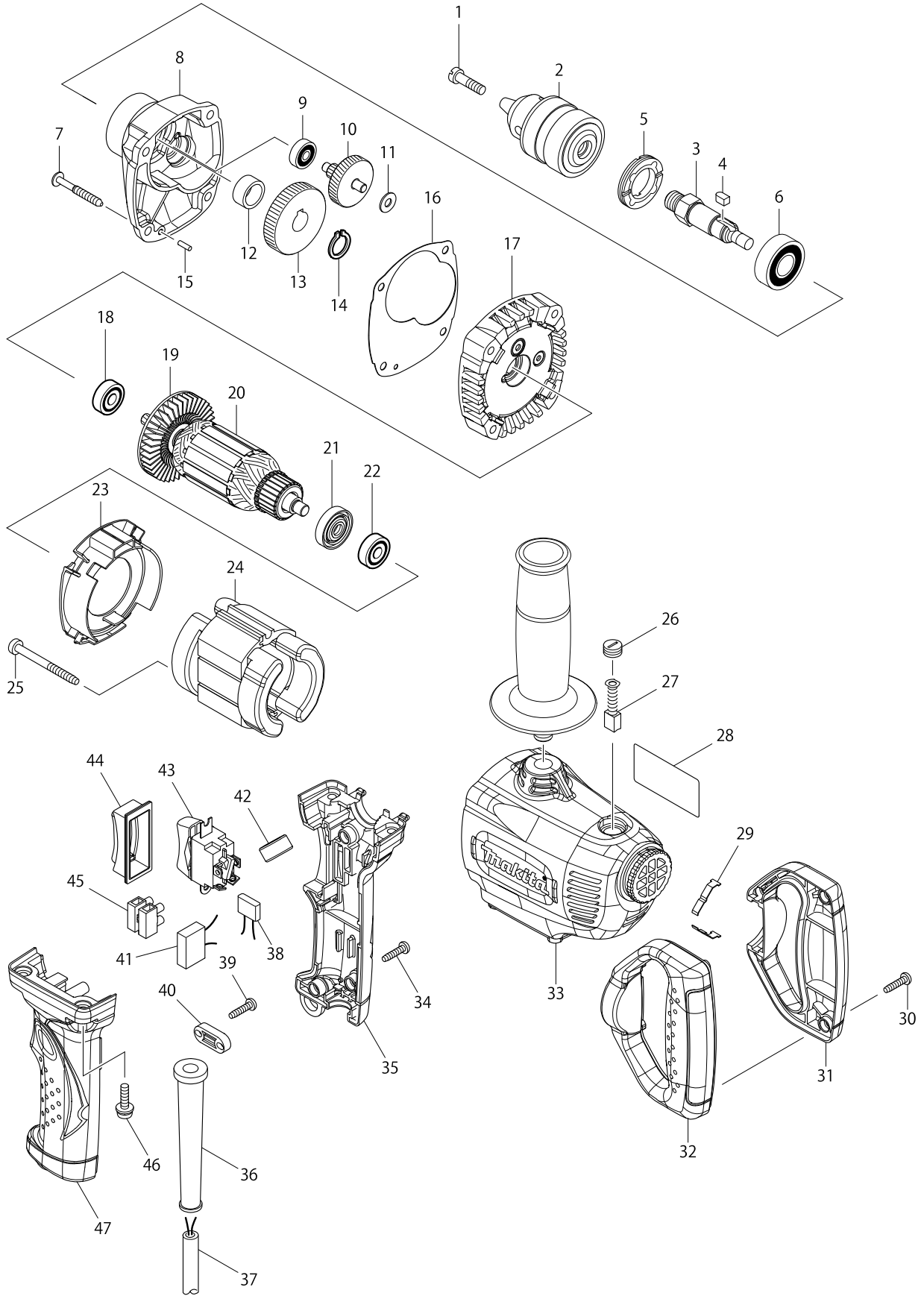


Model No. DS4011 13MM DRILL



Model No. DS4011 13MM DRILL

Item	Parts No.	Description	I/C	Qty	N/O	Opt. 1	Opt. 2	Note
001	251441-5	- FLAT HEAD SCREW M6X22		1				
002	193822-6	DRILL CHUCK S13		1				
C10	763430-3	CHUCK KEY S13		1				
003	325494-1	SPINDLE		1				
004	254211-1	KEY 5		1				
005	285807-7	BEARING RETAINER 22-36		1				
006	211206-7	BALL BEARING 6202LLB		1				
007	266211-9	TAPPING SCREW 5X40		4				
008	140620-9	GEAR HOUSING COMPLETE		1				
009	211016-2	BALL BEARING 626LLB		1				
010	226028-2	GEAR COMPLETE 7-41		1				
011	261008-1	FIBER WASHER 6		1				
012	257018-4	RING 15		1				
013	221261-1	SPUR GEAR 47		1				
014	961054-1	RETAINING RING S-14		1				
015	256180-2	PIN 3		1				
016	452066-0	GASKET		1				
017	140619-4	GEAR HOUSING COVER COMPLETE		1				
018	211031-6	BALL BEARING 608LLB		1				
019	241850-6	FAN 60		1				
020	513809-6	ARMATURE ASS'Y 240V		1				
D10		INC. 18,19,21,22						
021	681659-8	INSULATION WASHER		1				
022	211031-6	BALL BEARING 608LLB		1				
023	452063-6	BAFFLE PLATE		1				
024	520075-8	FIELD ASS'Y 240V		1				
C10	654100-4	RING TERMINAL		2				
C20	654555-3	CONNECTOR 34130		2				
025	266095-5	TAPPING SCREW 5X55		2				
026	643550-8	BRUSH HOLDER CAP 5-8		2				
027	191940-4	CARBON BRUSH CB-411		1				
028	868446-4	DS4011 NAME PLATE		1				
029	232260-8	LEAF SPRING		2				
030	265995-6	TAPPING SCREW 4X18		4				
031	188921-7	HANDLE SET		1				
D10		INC. 32						
032	188921-7	HANDLE SET		1				
D10		INC. 31						
033	140621-7	MOTOR HOUSING COMPLETE		1				
C10	643455-2	BRUSH HOLDER 6X9		2				
034	265995-6	TAPPING SCREW 4X18		3				
035	188920-9	SWITCH HANDLE COVER SET		1				
D10		INC. 47						
036	682566-8	CORD GUARD 10		1				
037	665865-3	POWER SUPPLY CORD 1.0-2-2.5		1				
038	646755-9	RESISTOR		1				
039	265995-6	TAPPING SCREW 4X18		2				
040	687052-4	STRAIN RELIEF		1				

Model No. DS4011 13MM DRILL

Item	Parts No.	Description	I/C	Qty	N/O	Opt. 1	Opt. 2	Note
041	645200-1	NOISE SUPPRESSOR		1				
042	688131-1	LINE FILTER		1				
043	651564-3	SWITCH SL220SD-4		1				
044	421297-2	DUST COVER		1				
045	654531-7	TERMINAL BLOCK 2P		1				
046	911233-1	PAN HEAD SCREW M5X20		4				
047	188920-9	SWITCH HANDLE COVER SET		1				
D10		INC. 35						
A01	152492-0	GRIP 36 COMPLETE		1				
A02	763430-3	CHUCK KEY S13		1				