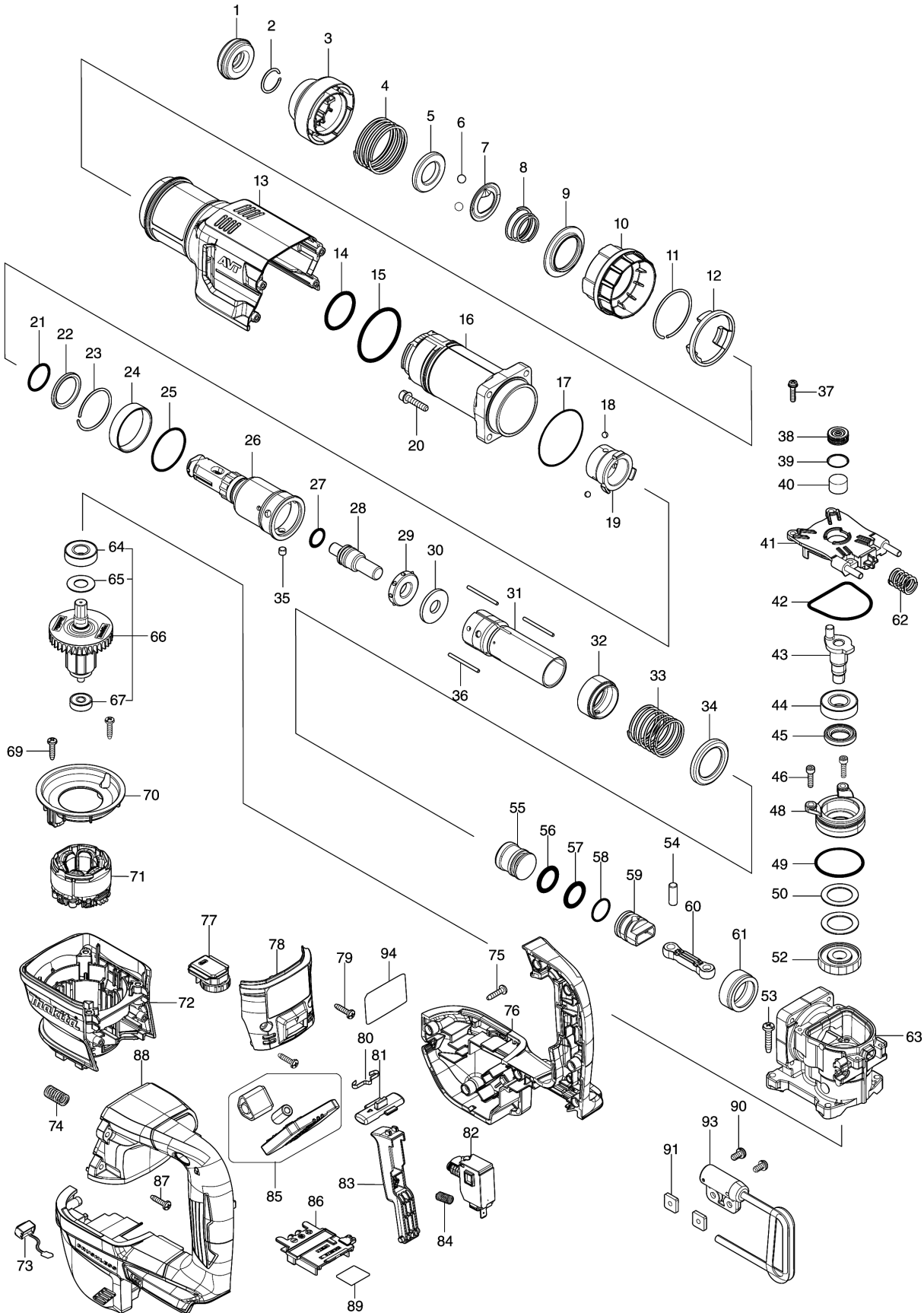


Model No.DHK180 CORDLESS POWER SCRAPER



Model No.DHK180 CORDLESS POWER SCRAPER

Item	Parts No.	Description	I/C	Qty	New/Old	Opt. 1	Opt. 2	Note
001	286283-8	CAP 38		1				
002	233966-1	RING SPRING 19		1				
003	450275-5	CHUCK COVER		1				
004	234039-3	COMPRESSION SPRING 42		1				
005	257288-5	RING 21		1				
006	216022-2	STEEL BALL 7.0		2				
007	345873-7	GUIDE WASHER		1				
008	233916-6	CONICAL COMP. SPRING 21-29		1				
009	345874-5	STEEL BALL GUIDE		1				
010	450274-7	CHANGE RING		1				
011	231985-1	RING SPRING 43		1				
012	459752-4	SUPPORT RING		1				
013	459748-5	HOUSING COVER		1				
014	213465-9	O RING 31		1				
015	213617-2	O RING 47		1				
016	319988-6	BARREL		1				
017	213606-7	O RING 48		1				
018	216002-8	STEEL BALL 4.8		3				
019	331796-5	RING 25		1				
020	922243-3	HEX. SOCKET HEAD BOLT M5X25		4				
021	213008-7	O RING 22.4		1				
022	262142-0	URETHAN RING 26		1				
023	233956-4	RING SPRING 37		1				
024	257296-6	RING 39		1				
025	213142-3	O-RING 35		1				
026	324837-4	TOOL HOLDER		1				
027	213128-7	O RING 12		1				
028	324844-7	IMPACT BOLT		1				
029	424065-2	RUBBER RING 13		1				
030	267363-9	FLAT WASHER 12		1				
031	326814-2	CYLINDER		1				
032	326813-4	RING 29		1				
033	234041-6	COMPRESSION SPRING 32		1				
034	345872-9	CUP WASHER 29		1				
035	268226-2	PIN 6		3				
036	256862-6	ROD 2.5		3				
037	911133-5	PAN HEAD SCREW M4X18		4				
038	419988-7	FILTER CAP		1				
039	213218-6	O RING 16		1				
040	443129-3	FILTER		1				
041	459746-9	CRANK CAP		1				

Please order the parts with part number.

Print Date 31/10/2019

Model No.DHK180 CORDLESS POWER SCRAPER

Item	Parts No.	Description	I/C	Qty	New/Old	Opt. 1	Opt. 2	Note
042	424067-8	SEAL RING		1				
043	324845-5	CRANK SHAFT		1				
044	211232-6	BALL BEARING 6002LLU		1				
045	213219-4	OIL SEAL 15		1				
046	265490-6	HEX. SOCKET HEAD BOLT M4X16		2				
048	318202-7	BEARING BOX		1				
049	213513-4	O RING 39		1				
050	267126-3	FLAT WASHER 22		2				
052	226675-9	HELICAL GEAR 36		1				
053	266041-8	TAPPING SCREW 5X25		4				
054	256087-2	PIN 7		1				
055	324847-1	STRIKER		1				
056	213283-5	O-RING 18		1				
057	213283-5	O-RING 18		1				
058	213262-3	O RING 18		1				
059	450298-3	PISTON		1				
060	450278-9	CONNECTING ROD		1				
061	331797-3	SLEEVE 29		1				
062	232560-6	COMPRESSION SPRING 12		1				
063	158523-3	CRANK HOUSING COMPLETE		1				
C10	213415-4	O RING 28		1				
064	211131-2	BALL BEARING 6001DDW		1				
065	253748-5	FLAT WASHER 12		1				
066	519589-2	ROTOR ASSY		1				
D10		INC. 64,65,67						
067	210022-4	BALL BEARING 626DDW		1				
069	265995-6	TAPPING SCREW 4X18		2				
070	459749-3	BAFFLE PLATE		1				
071	629451-4	STATOR		1				
072	459747-7	MOTOR HOUSING		1				
073	620936-3	LED CIRCUIT		1				
074	232411-3	COMPRESSION SPRING 8		1				
075	265995-6	TAPPING SCREW 4X18		7				
076	183N36-9	HOUSING SET		1				
C10	263005-3	RUBBER PIN 6		2				
D10		INC. 88						
077	620796-3	DIAL CIRCUIT		1				
078	140M96-8	MOTOR HOUSING COVER COMPLETE		1				
079	265995-6	TAPPING SCREW 4X18		2				
080	232152-1	LEAF SPRING		1				
081	459751-6	TRIGGER LOCK		1				

Please order the parts with part number.

Print Date 31/10/2019

Model No.DHK180 CORDLESS POWER SCRAPER

Item	Parts No.	Description	I/C	Qty	New/Old	Opt. 1	Opt. 2	Note
082	651399-2	SWITCH C3JW-6B-PA		1				
083	459750-8	SWITCH LEVER		1				
084	232561-4	COMPRESSION SPRING 5		1				
085	620C18-9	CONTROLLER		1				
086	643874-2	TERMINAL		1				
087	265995-6	TAPPING SCREW 4X18		4				
088	183N36-9	HOUSING SET		1				
C10	263005-3	RUBBER PIN 6		2				
D10		INC. 76						
089	856L09-0	DHK180 SERIAL NO. LABEL		1				
090	911211-1	PAN HEAD SCREW M5X12		2				
091	264002-2	SQUARE NUT M5		2				
093	127344-4	HOOK ASS'Y		1				
094	856L02-4	DHK180 NAME PLATE		1				

Please order the parts with part number.

Print Date 31/10/2019