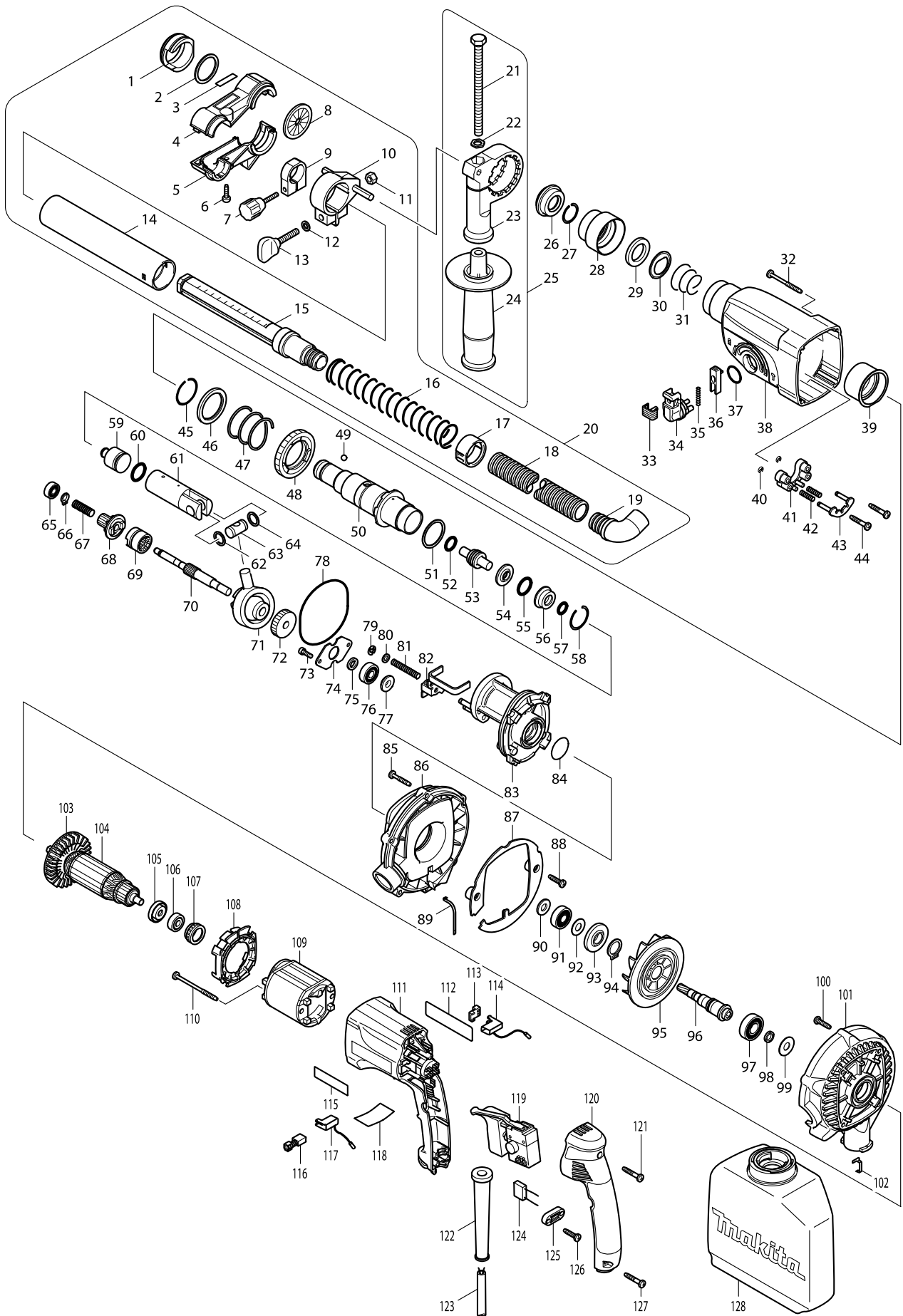


Model No. HR2432 ROTARY HAMMER 24MM



Model No. HR2432 ROTARY HAMMER 24MM

Item	Parts No.	Description	I/C	Qty	N/O	Opt. 1	Opt. 2	Note
001	421396-0	FITTING RUBBER		1				
002	267091-6	FLAT WASHER 28		1				
003	819071-4	MAKITA LABEL		1				
004	414799-5	COLLECTOR 25R		1				
005	414800-6	COLLECTOR 25L		1				
006	265926-5	TAPPING SCREW 4X16		1				
007	265706-9	THUMB SCREW M4X24		1				
008	421384-7	SEALING CAP 40		1				
009	414795-3	STOPPER RING		1				
010	417156-6	PIPE HOLDER		1				
011	931302-2	HEX. NUT M6		1				
012	941151-9	FLAT WASHER 6		1				
013	265705-1	THUMB SCREW M6X30		1				
014	414797-9	SUPPORT PIPE		1				
015	414796-1	SLIDE PIPE		1				
016	233015-4	COMPRESSION SPRING 25		1				
017	414794-5	SPRING STOPPER		1				
018	414898-3	HOSE 19		1				
019	417153-2	CUFFS 19-22		1				
020	122709-5	DUST COLLECTOR ASS'Y		1				
D10		INC. 1-19						
021	921923-8	HEX. BOLT M8X120		1				
022	345280-4	HEX. WASHER		1				
023	417630-4	GRIP BASE		1				
024	152521-9	GRIP 36 COMPLETE		1	*			
024-1	153503-4	GRIP 36 COMPLETE	O	1				
025	134943-5	GRIP 36 ASS'Y		1	*			
D10		INC. 21-24			*			
025-1	135302-6	GRIP 36 ASS'Y	O	1				
D10		INC. 21-24						
026	286263-4	CAP 35		1				
027	233915-8	RING SPRING 19		1	*			
027-1	233940-9	RING SPRING 19	O	1				
028	417629-9	CHUCK COVER		1				
029	257241-1	RING 21		1				
030	345187-4	GUIDE WASHER		1				
031	233916-6	CONICAL COMP. SPRING 21-29		1				
032	266069-6	TAPPING SCREW 4X45		4				
033	417794-4	CAP		1				
034	162229-7	CHANGE LEVER COMPLETE		1				
035	233341-1	COMPRESSION SPRING 3		1				
036	417795-2	LOCK BUTTON		1				
037	213278-8	O RING 17		1				
038	183441-6	GEAR HOUSING SET		1				
D10		INC. 39						
039	153290-5	NEEDLE BEARING COMPLETE		1				
040	961017-7	STOP RING E-3		2				
041	417796-0	GUIDE BASE		1				

Model No. HR2432 ROTARY HAMMER 24MM

Item	Parts No.	Description	I/C	Qty	N/O	Opt. 1	Opt. 2	Note
042	233344-5	COMPRESSION SPRING 4		2				
043	163430-7	LOCK PLATE COMPLETE		1				
044	265999-8	TAPPING SCREW 4X25		2				
045	233918-2	RING SPRING 28		1				
046	267228-5	WASHER 30		1				
047	233328-3	COMPRESSION SPRING 31		1				
048	227028-5	SPUR GEAR 51		1				
049	216022-2	STEEL BALL 7.0		1				
050	153365-0	TOOL HOLDER COMPLETE		1				
051	267229-3	FLAT WASHER 28		1				
052	213128-7	O RING 12		1				
053	324396-8	IMPACT BOLT		1				
054	324218-2	RING 9		1				
055	213232-2	O RING 15		1				
056	324216-6	O RING CASE		1				
057	213073-6	O RING 9		1				
058	233917-4	RING SPRING 28		1				
059	324214-0	STRIKER		1				
060	213227-5	O RING 16		1				
061	331632-5	PISTON CYLINDER		1				
062	267104-3	FLAT WASHER 12		1				
063	324215-8	PISTON JOINT		1				
064	267104-3	FLAT WASHER 12		1				
065	211012-0	BALL BEARING 606ZZ		1	*			
065-1	210028-2	BALL BEARING 606ZZ	O	1				
066	961003-8	RETAINING RING S-7		1				
067	233343-7	COMPRESSION SPRING 7		1				
068	226399-7	SPUR GEAR 10		1				
069	331634-1	CLUTCH CAM		1	*			
069-1	331993-3	CLUTCH CAM	<	1				
070	324248-3	CAM SHAFT		1				
071	219014-0	SWASH BEARING 10		1				
072	226550-9	HELICAL GEAR 26		1				
073	266273-7	HEX. SOCKET HEAD BOLT M4X12		2				
074	345179-3	BEARING RETAINER		1				
075	267234-0	FLAT WASHER 8		1				
076	211032-4	BALL BEARING 608ZZ		1	*			
076-1	210029-0	BALL BEARING 608ZZ	O	1				
077	324212-4	RING 8		1				
078	213725-9	O RING 68		1				
079	961011-9	STOP RING E-4		1				
080	941102-2	FLAT WASHER 5		1				
081	233342-9	COMPRESSION SPRING 6		1				
082	345363-0	CHANGE PLATE		1				
083	153687-8	INNER HOUSING COMPLETE		1				
084	213380-7	O RING 24		1				
085	265999-8	TAPPING SCREW 4X25		5				
086	418807-4	FAN HOUSING A		1				

Model No. HR2432 ROTARY HAMMER 24MM

Item	Parts No.	Description	I/C	Qty	N/O	Opt. 1	Opt. 2	Note
087	418809-0	DUST COVER PLATE		1				
088	265995-6	TAPPING SCREW 4X18		2				
089	345483-0	EARTH PLATE A		1				
090	267271-4	FLAT WASHER 9		1				
091	210060-6	BALL BEARING 609LLU		1				
092	267231-6	FLAT WASHER 9		1				
093	324500-9	DUST GUARD		1				
094	961055-9	RETAINING RING S-15		1				
095	241668-5	FAN 81		1				
096	226596-5	HELICAL GEAR 5		1	*			
096-1	226619-9	HELICAL GEAR 5	X	1				
097	211131-2	BALL BEARING 6001DDW		1				
098	262115-3	URETHANE RING 8		1	*			
098-1	213033-8	O RING 8	O	2				
099	253741-9	FLAT WASHER 9		1	*			
099-1	253733-8	FLAT WASHER 9	O	1				
100	265995-6	TAPPING SCREW 4X18		4				
101	418808-2	FAN HOUSING B		1				
102	345484-8	EARTH PLATE B		1				
103	240047-4	FAN 60		1	*			
103-1	240084-8	FAN 60	O	1				
104	515624-4	ARMATURE ASS'Y 220-240V		1	*			
D10		INC. 103,105,106			*			
104-1	515654-5	ARMATURE ASSY 240V	<	1	*			
D10		INC. 103,105,106			*			
104-2	515674-9	ARMATURE ASS'Y 240V	O	1				
D10		INC. 103,105,106						
105	681636-0	INSULATION WASHER		1				
106	211021-9	BALL BEARING 607LLB		1				
107	421494-0	RUBBER RING 19		1				
108	417631-2	BAFFLE PLATE		1	*			
108-1	419201-3	BAFFLE PLATE	O	1				
109	633488-5	FIELD 220-240V		1				
110	266052-3	TAPPING SCREW 4X60		2				
111	183409-2	MOTOR HOUSING		1	*			
D10		INC. 115			*			
111-1	417632-0	MOTOR HOUSING	O	1				
112	861193-6	HR2432 NAME PLATE		1				
113	689111-0	SPACER		2				
114	643988-7	BRUSH HOLDER		1				
115	819063-3	MAKITA LABEL		1	*			
116	191962-4	CARBON BRUSH CB-419		1				
117	643989-5	BRUSH HOLDER		1				
118	815991-0	HR2432 SERIAL NO. LABEL		1				
119	650508-0	SWITCH TG813TLB-1		1				
120	153284-0	HANDLE COVER COMPLETE		1				
121	265999-8	TAPPING SCREW 4X25		1				
122	682566-8	CORD GUARD 10		1				

