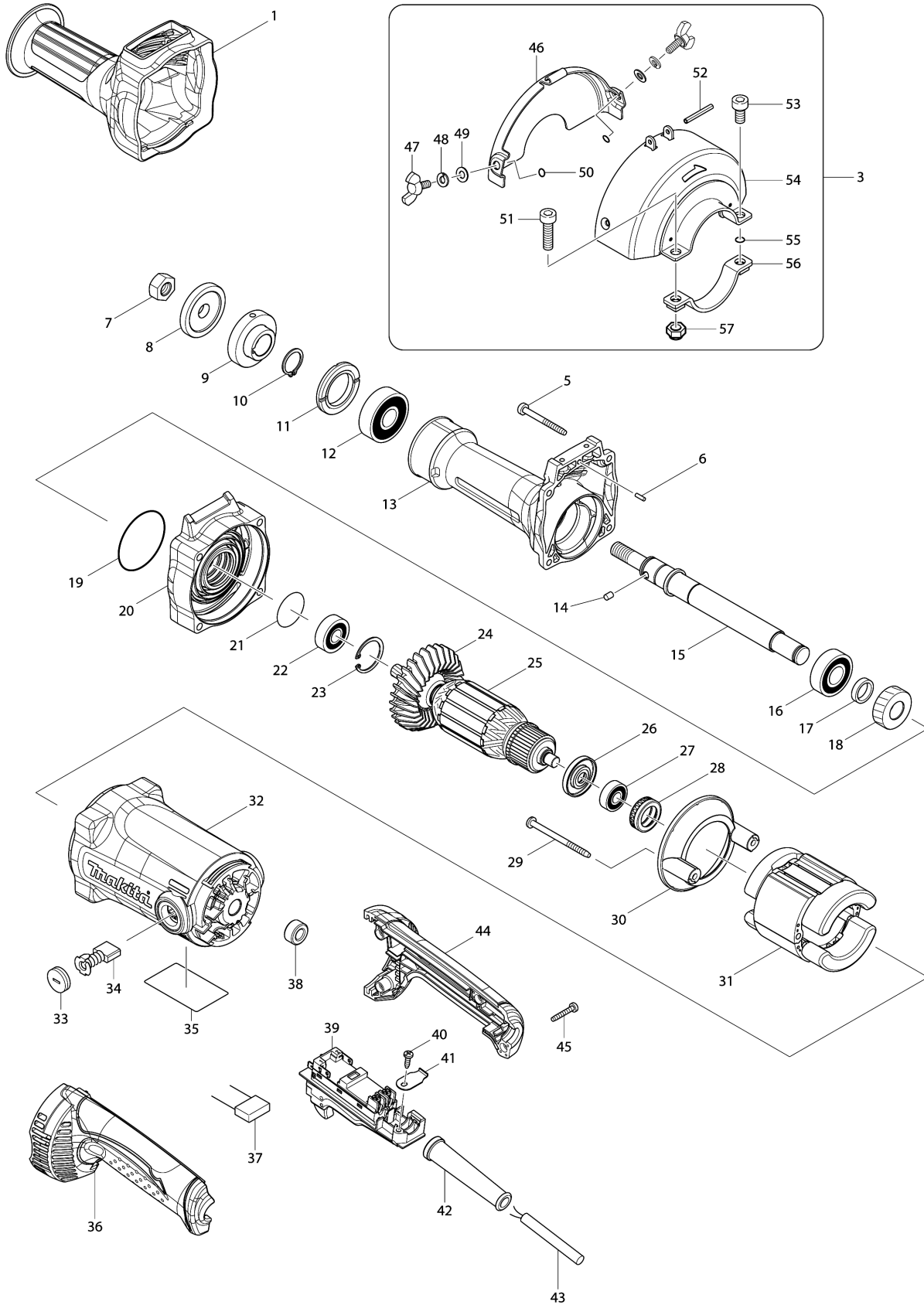


Model No.GS5000 125MM STRAIGHT GRINDER



Model No.GS5000 125MM STRAIGHT GRINDER

Item	Parts No.	Description	I/C	Qty	New/Old	Opt. 1	Opt. 2	Note
001	424549-0	INSULATION COVER		1				
003	123199-5	WHEEL COVER 125K ASSY		1				
D10		INC. 46-57						
005	266046-8	TAPPING SCREW 5X50		4				
006	256180-2	PIN 3		1				
008	224583-8	LOCK NUT 14-50		1				
009	224457-3	INNER FLANGE 50		1				
010	961060-6	RETAINING RING S-20		1				
011	285824-7	BEARING RETAINER 31-48		1				
012	211306-3	BALL BEARING 6204LLB		1				
013	318961-3	GEAR HOUSING		1				
014	268161-4	PIN 5		1				
015	326252-8	SPINDLE C		1				
016	211256-2	BALL BEARING 6203LLB		1				
017	257253-4	RING 17		1				
018	227766-9	HELICAL GEAR 47		1				
019	213656-2	O RING 53		1				
020	318962-1	GEAR HOUSING COVER		1				
021	213487-9	O RING 31		1				
022	211129-9	BALL BEARING 6201DDW		1				
023	962151-6	RETAINING RING R-32		1				
024	240143-8	FAN 80		1				
025	517889-4	ARMATURE ASS'Y 240V		1				
D10		INC. 24,26,27						
026	681657-2	INSULATION WASHER		1				
027	210059-1	BALL BEARING 6000DDW		1				
028	421490-8	RUBBER RING 26		1				
029	266038-7	TAPPING SCREW 5X70		2				
030	451480-7	BAFFLE PLATE		1				
031	523424-8	FIELD ASSY 240V		1				
C10	654098-5	RECEPTACLE		2				
032	140222-1	MOTOR HOUSING COMPLETE		1				
C10	643707-1	BRUSH HOLDER		2				
033	643700-5	BRUSH HOLDER CAP 7-18		2				
034	191957-7	A.C. CARBON BRUSH CB-204		1				
035	814H98-7	GS5000 NAME PLATE		1				
036	188848-1	HANDLE SET		1				
D10		INC. 44						
037	645088-9	NOISE SUPPRESSOR		1				
038	688131-1	LINE FILTER		1				
039	650102-8	SWITCH TG08-1200-011		1				
040	266192-7	TAPPING SCREW 4X14		1				

Model No.GS5000 125MM STRAIGHT GRINDER

Item	Parts No.	Description	I/C	Qty	New/Old	Opt. 1	Opt. 2	Note
041	687169-3	STRAIN RELIEF		1				
042	682540-6	CORD GUARD 9.3-90		1	*			
042-1	682505-8	CORD GUARD 10-90	O	1				
043	665865-3	POWER SUPPLY CORD 1.0-2-2.5		1				
044	188848-1	HANDLE SET		1				
D10		INC. 36						
045	265999-8	TAPPING SCREW 4X25		4				
046	346654-2	SUPPORT COVER 125K		1				
047	924316-8	WING BOLT M6X15		2				
048	942151-2	SPRING WASHER 6		2				
049	941151-9	FLAT WASHER 6		2				
050	213005-3	O RING 5		2				
051	922452-4	HEX. SOCKET HEAD BOLT M8X30		1				
052	951125-2	SPRING PIN 4-32		1				
053	922422-3	HEX. SOCKET HEAD BOLT M8X16		1				
054	165713-1	WHEEL COVER 125K		1				
055	213017-6	O RING 6		1				
056	346656-8	TIGHT BAND		1				
057	252105-4	HEX. LOCK NUT M8-13		1				
A01	410047-0	WRENCH HOLDER 5.6		1				
A02	782423-1	LOCK NUT WRENCH 35		1				
A03	783204-6	HEX. WRENCH 6		1				
A04	B-28662	STRAIGHT GRINDER WHEEL 125-24		1				

Please order the parts with part number.

Print Date 30/3/2020