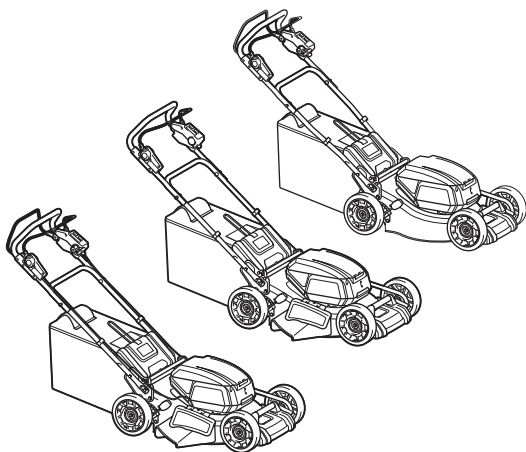
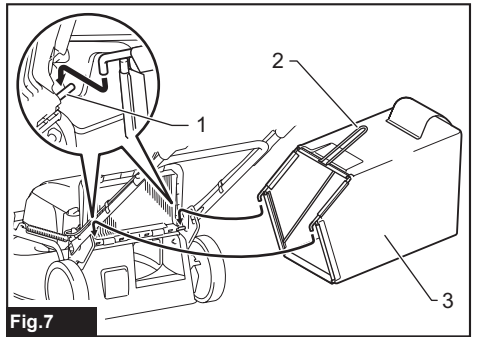
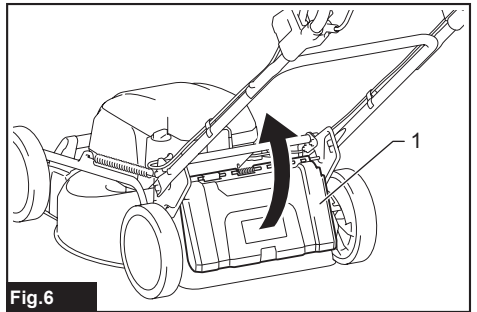
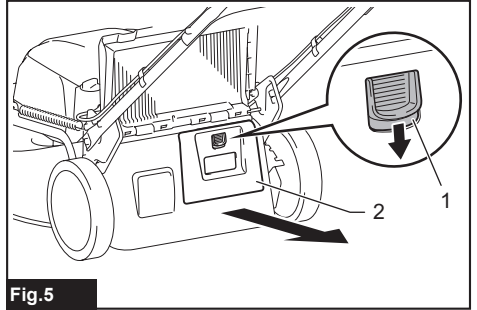
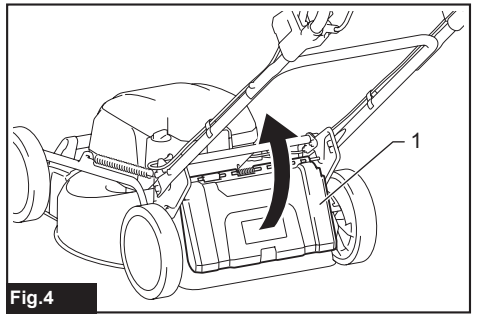
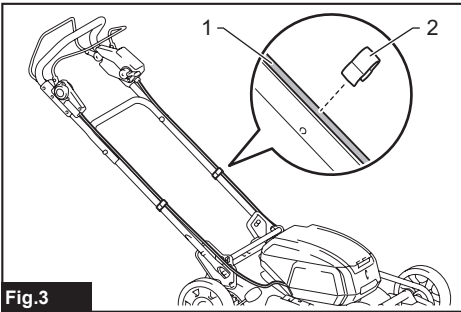
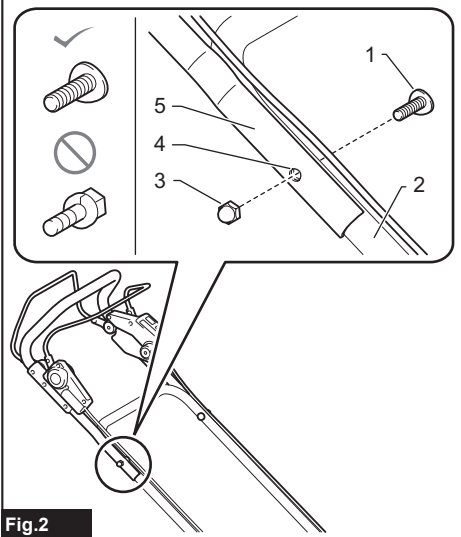
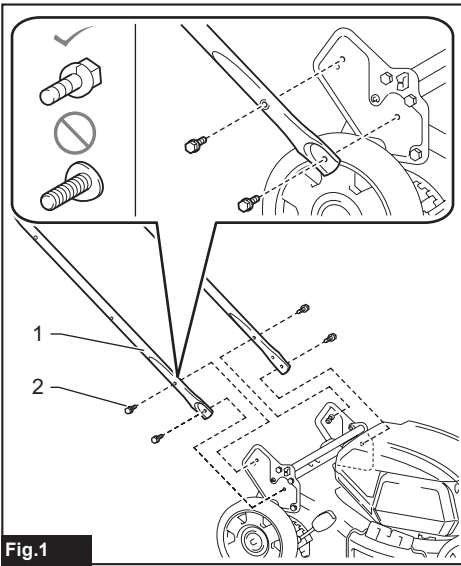




<b>EN</b>	Cordless Lawn Mower	INSTRUCTION MANUAL	9
<b>SL</b>	Akumulatorska kosilnica	NAVODILA ZA UPORABO	21
<b>SQ</b>	Kositëse bari me bateri	MANUALI I PËRDORIMIT	33
<b>BG</b>	Безжична косачка за трева	РЪКОВОДСТВО ЗА ЕКСПЛОАТАЦИЯ	46
<b>HR</b>	Bežična kosilica za travu	PRIRUČNIK S UPUTAMA	60
<b>MK</b>	Безжична косилка	УПАТСТВО ЗА УПОТРЕБА	72
<b>SR</b>	Бежична косилица за траву	УПУТСТВО ЗА УПОТРЕБУ	86
<b>RO</b>	Mașină de tuns iarba fără cablu	MANUAL DE INSTRUCȚIUNI	99
<b>UK</b>	Бездротова газонокосарка	ІНСТРУКЦІЯ З ЕКСПЛУАТАЦІЇ	112
<b>RU</b>	Аккумуляторная Газонокосилка	РУКОВОДСТВО ПО ЭКСПЛУАТАЦИИ	126

**DLM462**  
**DLM530**  
**DLM532**





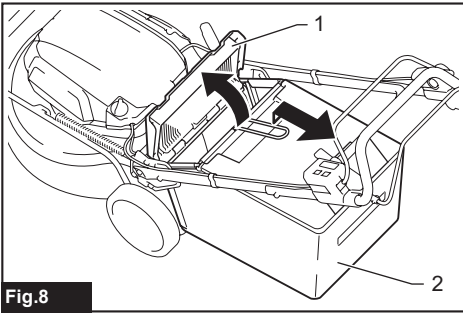


Fig.8

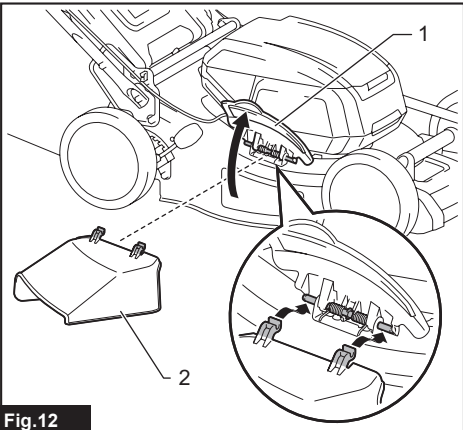


Fig.12

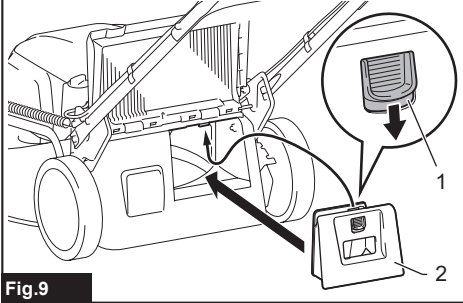


Fig.9

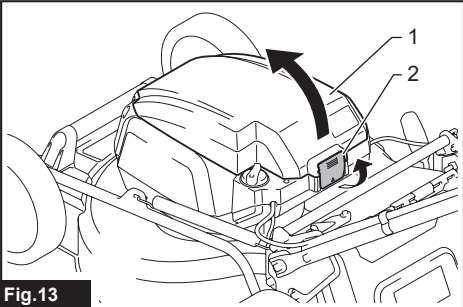


Fig.13

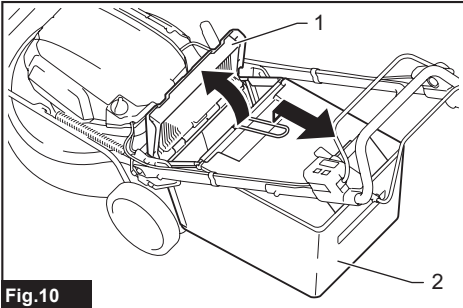


Fig.10

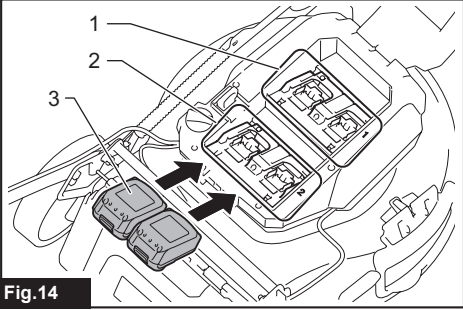


Fig.14

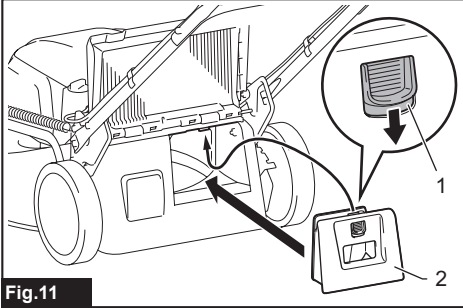


Fig.11

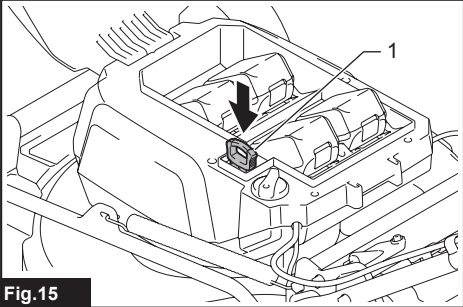


Fig.15

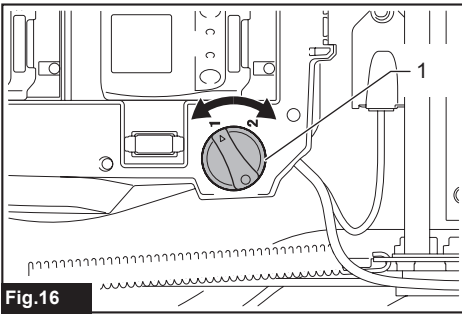


Fig.16

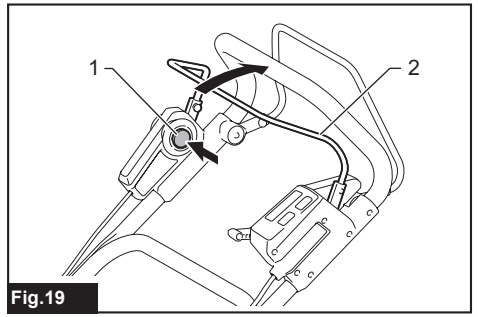


Fig.19

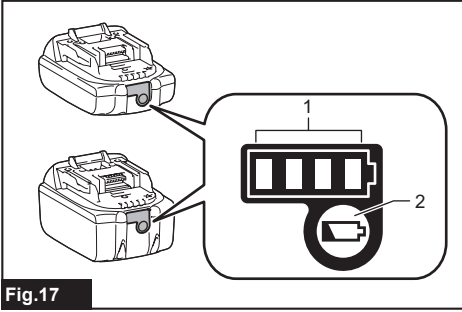


Fig.17

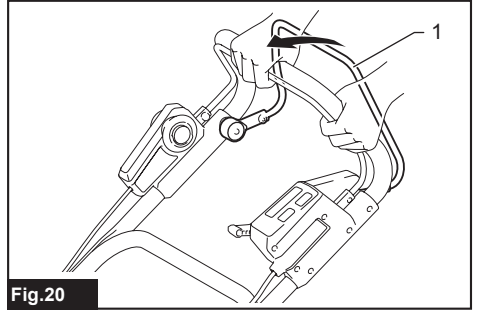


Fig.20

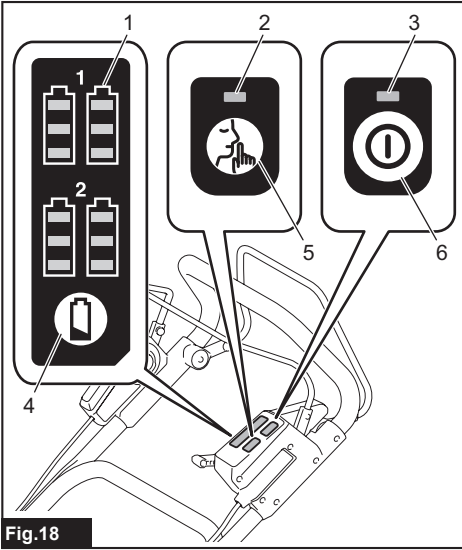


Fig.18

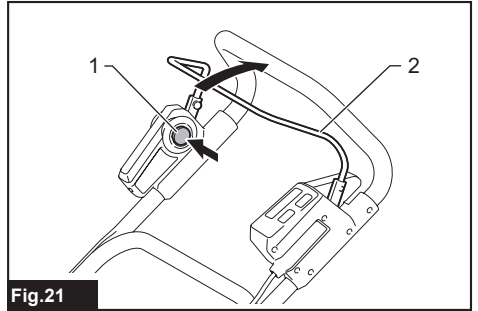


Fig.21

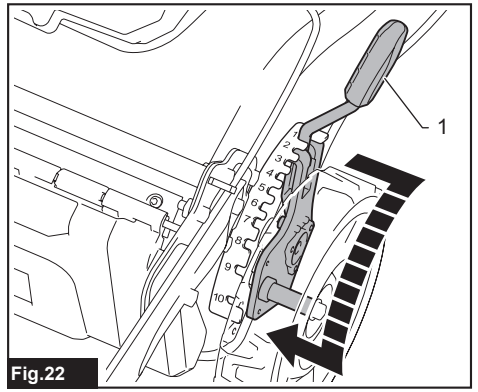


Fig.22

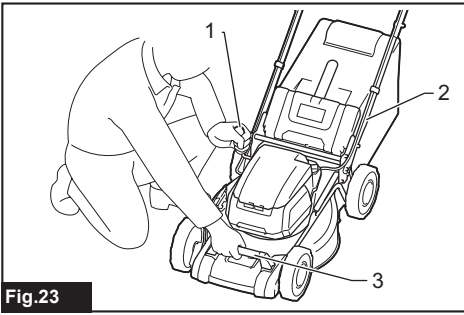


Fig.23

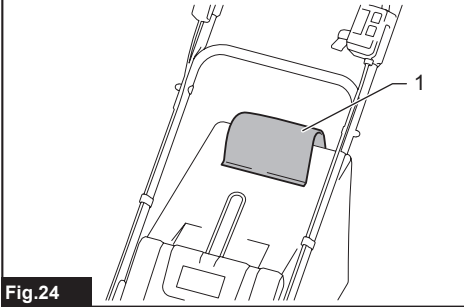


Fig.24

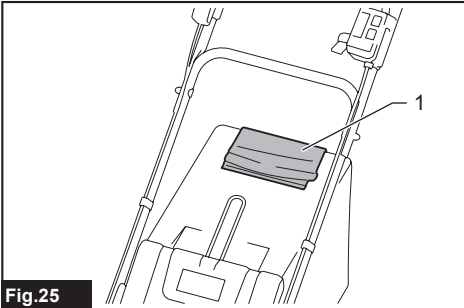


Fig.25

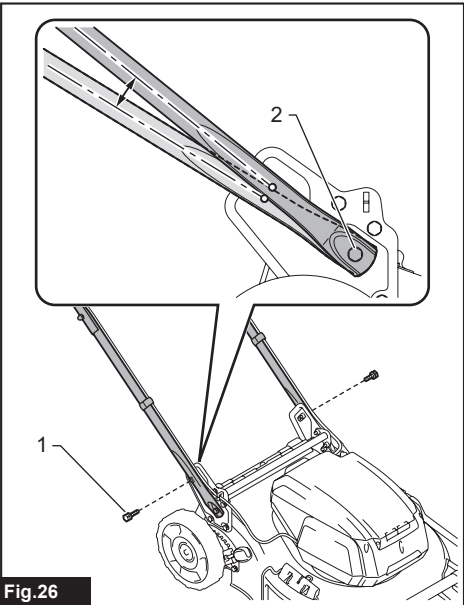


Fig.26

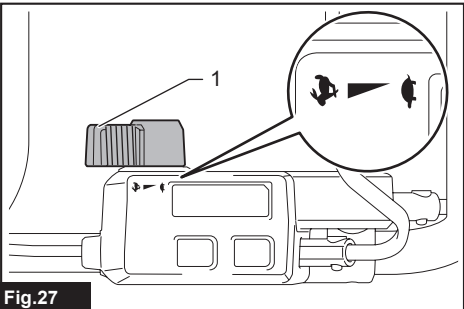


Fig.27

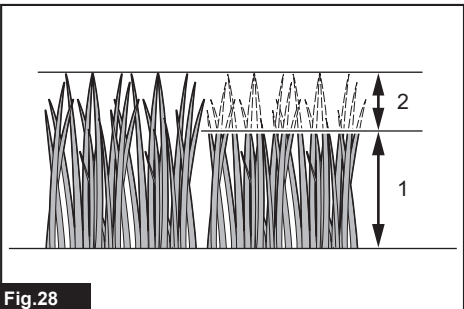


Fig.28



Fig.29

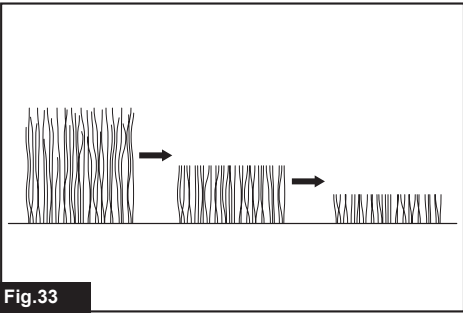


Fig.33

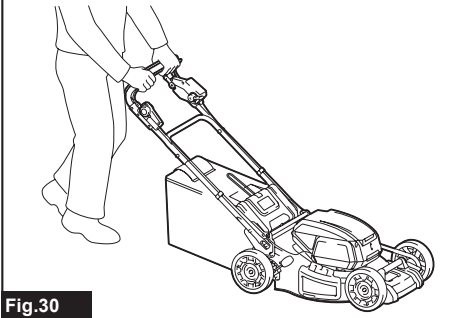


Fig.30

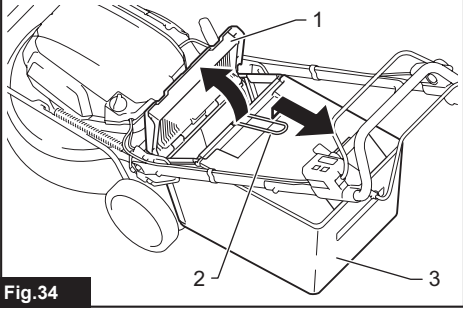


Fig.34

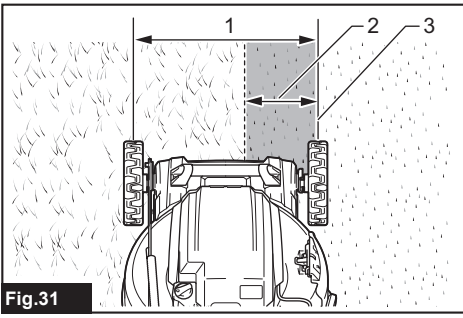


Fig.31

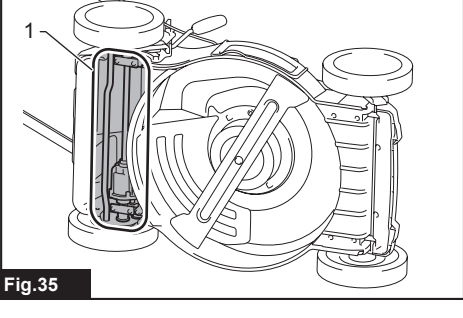


Fig.35

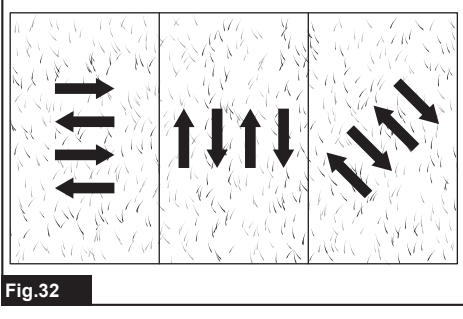


Fig.32

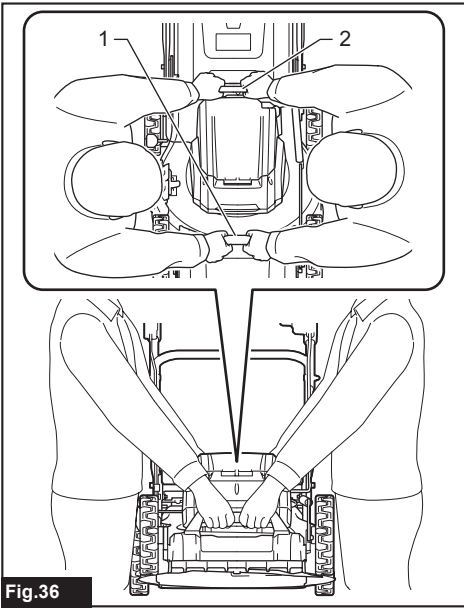


Fig. 36

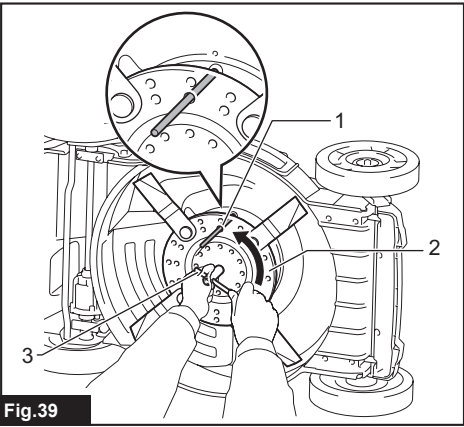


Fig. 39

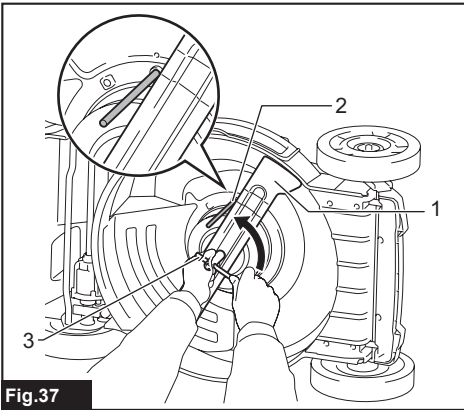


Fig. 37

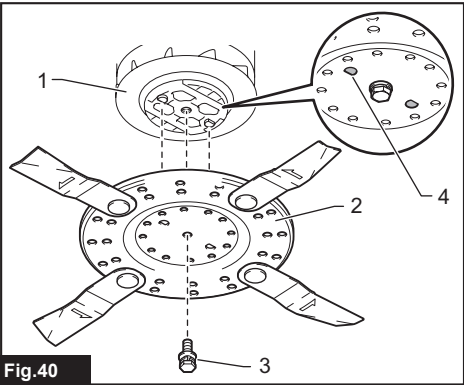


Fig. 40

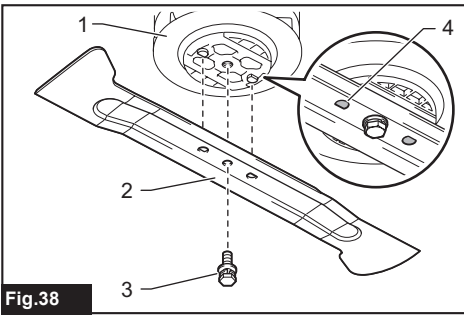


Fig. 38

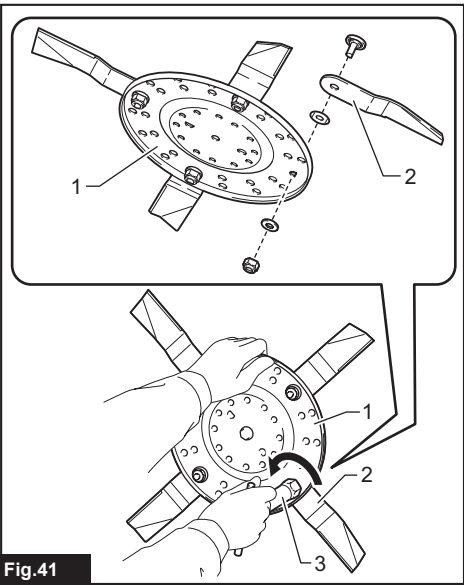
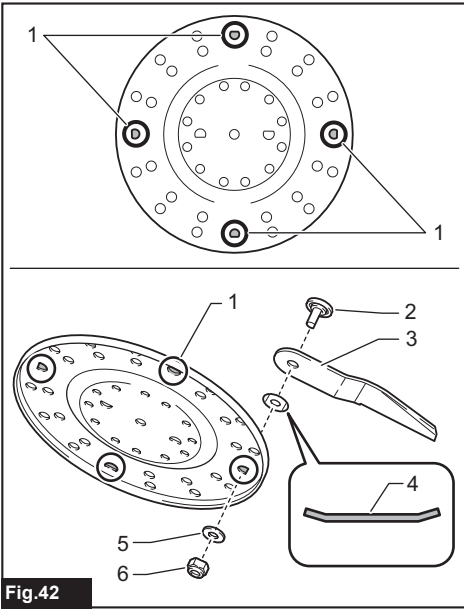


Fig. 41



**Fig.42**



# SPECIFICATIONS

Model:		DLM462	DLM530	DLM532
Mowing width (blade diameter)		460 mm	534 mm	
No load speed		2,500 min <sup>-1</sup>	2,300 min <sup>-1</sup>	
Maximum speed		3,300 min <sup>-1</sup>	2,800 min <sup>-1</sup>	
Part number of replacement mower blade	Straight mower blade	191D51-9	191D52-7	
	Swing back mower blades *1	191D49-6	191D50-1	
	Swing back mower blades *2	191D47-0	191D48-8	
Dimensions (L x W x H)		L: 1,610 mm to 1,690 mm W: 535 mm H: 980 mm to 1,095 mm	L: 1,630 mm to 1,715 mm W: 590 mm H: 990 mm to 1,095 mm	
Traveling speed		2.5 - 5.0 km/h	–	2.5 - 5.0 km/h
Rated voltage		D.C. 36 V		
Net weight	When straight mower blade is installed	35.3 - 39.0 kg	35.5 - 39.3 kg	39.0 - 42.8 kg
	When swing back mower blades are installed	36.0 - 39.7 kg	36.2 - 40.0 kg	39.7 - 43.5 kg
Protection degree		IPX4		

\*1. Base plate and individual mower blades.

\*2. Individual mower blades only.

- Due to our continuing program of research and development, the specifications herein are subject to change without notice.
- Specifications may differ from country to country.
- The weight may differ depending on the attachment(s), including the battery cartridge. The lightest and heaviest combination, according to EPTA-Procedure 01/2014, are shown in the table.

### Applicable battery cartridge

BL1815N / BL1820 / BL1820B / BL1830 / BL1830B / BL1840 / BL1840B / BL1850 / BL1850B / BL1860B

- Some of the battery cartridges listed above may not be available depending on your region of residence.

**⚠ WARNING: Only use the battery cartridges listed above.** Use of any other battery cartridges may cause injury and/or fire.

**⚠ WARNING: Do not use a corded power supply such as battery adapter or portable power pack with this machine.** The cable of such power supply may hinder the operation and result in personal injury.

## Symbols

The followings show the symbols which may be used for the equipment. Be sure that you understand their meaning before use.

	Take particular care and attention.
	Read instruction manual.
	Danger; be aware of thrown objects.
	The distance between the tool and bystanders must be at least 15 m.
	Never put your hands and feet near the blade under the mower. Blades continue to rotate after the motor is switched off.
	Remove the lock key before inspecting, adjusting, cleaning, servicing, leaving and storing the mower.

	Electrical hazard. Contact with water can cause electric shock.
	Do not pour water.
	Only for EU countries Do not dispose of electric equipment or battery pack together with household waste material! In observance of the European Directives, on Waste Electric and Electronic Equipment and Batteries and Accumulators and Waste Batteries and Accumulators and their implementation in accordance with national laws, electric equipment and batteries and battery pack(s) that have reached the end of their life must be collected separately and returned to an environmentally compatible recycling facility.

## Intended use

The machine is intended for lawn mowing.

## Noise

The typical A-weighted noise level determined according to EN60335-2-77:

**NOTE:** The values have been measured with the mower equipped with the straight mower blade.

### Model DLM462

Sound pressure level ( $L_{pA}$ ): 82.7 dB(A)

Sound power level ( $L_{WA}$ ): 90.9 dB (A)

Uncertainty (K): 3 dB(A)

### Model DLM530

Sound pressure level ( $L_{pA}$ ): 78.1 dB(A)

Sound power level ( $L_{WA}$ ): 90.4 dB (A)

Uncertainty (K): 3 dB(A)

### Model DLM532

Sound pressure level ( $L_{pA}$ ): 78.1 dB(A)

Sound power level ( $L_{WA}$ ): 90.4 dB (A)

Uncertainty (K): 3 dB(A)

The noise level under working may exceed 80 dB (A).

**NOTE:** The declared noise emission value(s) has been measured in accordance with a standard test method and may be used for comparing one tool with another.

**NOTE:** The declared noise emission value(s) may also be used in a preliminary assessment of exposure.

**⚠WARNING:** Wear ear protection.

**⚠WARNING:** The noise emission during actual use of the power tool can differ from the declared value(s) depending on the ways in which the tool is used especially what kind of workpiece is processed.

**⚠WARNING:** Be sure to identify safety measures to protect the operator that are based on an estimation of exposure in the actual conditions of use (taking account of all parts of the operating cycle such as the times when the tool is switched off and when it is running idle in addition to the trigger time).

## Vibration

The vibration total value (tri-axial vector sum) determined according to EN60335-2-77:

**NOTE:** The values have been measured with the mower equipped with the straight mower blade.

### Model DLM462

Vibration emission ( $a_n$ ): 2.5 m/s<sup>2</sup> or less

Uncertainty (K): 1.5 m/s<sup>2</sup>

### Model DLM530

Vibration emission ( $a_n$ ): 2.5 m/s<sup>2</sup> or less

Uncertainty (K): 1.5 m/s<sup>2</sup>

### Model DLM532

Vibration emission ( $a_n$ ): 2.5 m/s<sup>2</sup> or less

Uncertainty (K): 1.5 m/s<sup>2</sup>

**NOTE:** The declared vibration total value(s) has been measured in accordance with a standard test method and may be used for comparing one tool with another.

**NOTE:** The declared vibration total value(s) may also be used in a preliminary assessment of exposure.

**⚠WARNING:** The vibration emission during actual use of the power tool can differ from the declared value(s) depending on the ways in which the tool is used especially what kind of workpiece is processed.

**⚠WARNING:** Be sure to identify safety measures to protect the operator that are based on an estimation of exposure in the actual conditions of use (taking account of all parts of the operating cycle such as the times when the tool is switched off and when it is running idle in addition to the trigger time).

## EC Declaration of Conformity

### For European countries only

The EC declaration of conformity is included as Annex A to this instruction manual.

## SAFETY WARNINGS

### IMPORTANT SAFETY INSTRUCTIONS

**⚠WARNING:** Read all safety warnings and all instructions. Failure to follow the warnings and instructions may result in electric shock, fire and/or serious injury.

## Save all warnings and instructions for future reference.

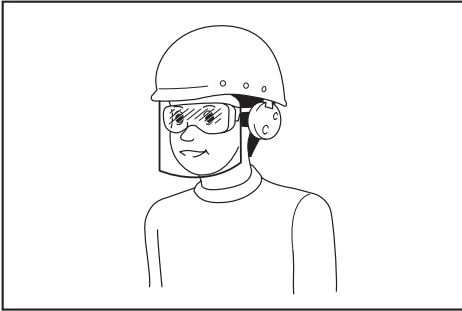
### Training

1. Read the instructions carefully. Be familiar with the controls and the proper use of the mower.
2. Never allow children or people unfamiliar with these instructions to use the mower. Local regulations can restrict the age of the operator.
3. Never operate the mower while people, especially children, or pets are nearby.
4. Keep in mind that the operator or user is responsible for accidents or hazards occurring to other people or their property.
5. Children should be supervised to ensure that they do not play with the mower.
6. Physical condition - Do not operate mower while under the influence of drugs, alcohol, or any medication.

### Preparation

1. While operating the mower, always wear substantial footwear and long trousers. Do not operate the mower when barefoot or wearing open sandals. Avoid wearing clothing or jewelry that is loose fitting or that has hanging cords or ties. They can be caught in moving parts.
2. Before use, always visually inspect the mower for damaged, missing or misplaced guards or shields.

3. Be sure the area is clear of other people before mowing. Stop mower if anyone enters the area.
4. Do not insert the lock key into mower until it is ready to be used.
5. Always wear protective goggles to protect your eyes from injury when using power tools. The goggles must comply with ANSI Z87.1 in the USA, EN 166 in Europe, or AS/NZS 1336 in Australia/New Zealand. In Australia/New Zealand, it is legally required to wear a face shield to protect your face, too.



It is an employer's responsibility to enforce the use of appropriate safety protective equipments by the tool operators and by other persons in the immediate working area.

6. Check the blades or blade bolts carefully for cracks or damage before operation. Replace cracked or damaged blades or blade bolts immediately.
  7. Remove foreign matters such as rocks, wire, bottles, bones and large sticks from the work area before mowing to prevent personal injury or damage to the mower.
  8. Objects struck by the mower blade can cause severe injuries to persons. The lawn should always be carefully examined and cleared of all objects prior to each mowing.
  9. Watch for holes, ruts, bumps, rocks, or other hidden objects. Uneven terrain could cause a slip and fall accident. Tall grass can hide obstacles.
  10. Do not insert or remove the lock key in the rain.
  11. Use personal protective equipment. Always wear eye protection. Protective equipment such as a dust mask, non-skid safety shoes, hard hat or hearing protection used for appropriate conditions will reduce personal injuries.
- Operation**
1. Do not overreach. Keep the balance at all times. Always be sure of the footing on slopes. Walk, never run.
  2. Stop the mower and remove the lock key, and make sure that all moving parts have come to a complete stop:
    - whenever you leave the mower,
    - before clearing blockages or unclogging chute,
    - before checking, cleaning or working on the mower,
    - after striking a foreign object. Inspect the mower for damage and make repairs before restarting and operating the mower,
    - whenever the mower starts vibrating abnormally.
  3. Never operate the mower with defective guards or shields, or without safety devices, for example deflectors and/or grass basket, in place.
  4. Avoid using the mower in bad weather conditions especially when there is a risk of lightning.
  5. Wear eye protection and stout shoes at all times while operating the mower.
  6. Operate the mower only in daylight or in good artificial light.
  7. Switch on the mower carefully according to instructions and with feet well away from the blade(s).
  8. Take care against injury to feet and hands from the mower blades.
  9. Always ensure that the ventilation openings are kept clear of debris.
  10. Mow across the face of slopes, never up and down. Exercise extreme caution when changing direction on slopes. Do not mow excessively steep slopes.
  11. Use extreme caution when reversing or pulling the mower towards you.
  12. Stop the blade(s) if the mower has to be tilted for transportation when crossing surfaces other than grass, and when transporting the mower to and from the area to be used.
  13. Do not tilt the mower when switching on the motor, except if the mower has to be tilted for starting. In this case, do not tilt it more than absolutely necessary and lift only the part, which is away from the operator. Always ensure that both hands are in the operating position before returning the mower to the ground.
  14. Do not put hands or feet near or under rotating parts. Keep clear of the discharge opening at all times.
  15. Do not transport the mower while the mower is turned on.
  16. Avoid operating the mower in wet grass.
  17. Always keep a firm hold on the handle.
  18. Don't grasp the exposed cutting blades or cutting edges when picking up or holding the mower.
  19. Keep hands and feet away from rotating blades. Caution - Blades coast after the mower is switched off.
  20. Stop operation immediately if you notice anything unusual. Switch off the mower and remove the lock key. Then inspect the mower.
  21. Never attempt to make cutting height adjustments while mower is running if the mower has cutting height adjustment feature.
  22. Release switch lever and wait for blade rotation to stop before crossing driveways, walks, roads, and any gravel-covered areas. Also remove the lock key if you leave the mower, reach to pick up or remove something out of your way, or for any other reason that may distract you from what you are doing.

23. **If the mower strikes a foreign object, follow these steps:**
  - Stop the mower, release the switch lever and wait until the blade comes to a complete stop.
  - Remove the lock key and the battery cartridge.
  - Thoroughly inspect the mower for any damage.
  - Replace the blade if it is damaged in any way. Repair any damage before restarting and continuing to operate the mower.
24. **Do not start the mower when standing in front of the discharge opening.**
25. **If the mower starts to vibrate abnormally (check immediately)**
  - inspect for damage,
  - replace or repair any damaged parts,
  - check for and tighten any loose parts.
26. **Never direct discharged material toward anyone. Avoid discharging material against a wall or obstruction.** Material may ricochet back toward the operator. Stop the blade when crossing gravel surfaces.
27. **Do not pull the mower backwards unless absolutely necessary.** When you are compelled to back the mower from a fence or other similar obstruction, look down and behind before and while moving backwards.
28. **Shut the motor off and wait until the blade comes to a complete stop before removing the grass catcher.** Beware that the blades coast after turn off.
29. **When you use the machine on muddy ground, wet slope, or slippery place, pay attention to your footing.**
30. **Avoid working in poor environment where increased user fatigue is expected.**
31. **Do not use the machine in bad weather where visibility is limited.** Failure to do so may cause fall or incorrect operation due to low visibility.
32. **Do not submerge the machine into a puddle.**
33. **When wet leaves or dirt adhere to the suction mouth (ventilation window) due to rain, remove them.**
34. **Do not use the machine in the snow.**
35. **If the cut-off grass is wet, it is likely to be clogged inside of the machine. Check the condition of the machine regularly, and remove the adhered grass as necessary.**
36. **When operating the machine, pay attention to piping and wiring.**
37. **Do not use a corded power supply such as battery adapter or portable power pack with this machine.** The cable of such power supply may hinder the operation and result in personal injury.
5. **Check the grass basket frequently for wear or deterioration. For storage, always make sure the grass basket is empty. Replace a worn grass basket with a new factory replacement for safety.**
6. **Use only the manufacturer genuine blades specified in this manual.**
7. **Be careful during adjustment of the mower to prevent entrapment of the fingers between moving blades and fixed parts of the mower.**
8. **Check the blade mounting bolt at frequent intervals for proper tightness.**
9. **Always allow the mower to cool down before storing.**
10. **When servicing the blades be aware that, even though the power source is switched off, the blades can still be moved.**
11. **Never remove or tamper with safety devices. Check their proper operation regularly. Never do anything to interfere with the intended function of a safety device or to reduce the protection provided by a safety device.**
12. **Do not leave the machine unattended outdoors in the rain.**
13. **Do not wash the machine with high pressure water.**
14. **When washing the machine, be sure to remove the battery and lock key and close the battery cover, and pour water toward the bottom of the machine to which the blade is attached.**
15. **When storing the machine, avoid direct sunlight and rain, and store it in a place where it does not get hot or humid.**
16. **Perform inspection or maintenance in a place where rain can be avoided.**
17. **After using the machine, remove the adhered dirt and dry the machine completely before storing.** Depending on the season or the area, there is a risk of malfunction due to freezing.

#### Battery tool use and care

1. **Recharge only with the charger specified by the manufacturer.** A charger that is suitable for one type of battery pack may create a risk of fire when used with another battery pack.
  2. **Use power tools only with specifically designated battery packs.** Use of any other battery packs may create a risk of injury and fire.
  3. **When battery pack is not in use, keep it away from other metal objects, like paper clips, coins, keys, nails, screws or other small metal objects, that can make a connection from one terminal to another.** Shorting the battery terminals together may cause burns or a fire.
  4. **Under abusive conditions, liquid may be ejected from the battery; avoid contact. If contact accidentally occurs, flush with water. If liquid contacts eyes, additionally seek medical help.** Liquid ejected from the battery may cause irritation or burns.
  5. **Do not use a battery pack or tool that is damaged or modified.** Damaged or modified batteries may exhibit unpredictable behaviour resulting in fire, explosion or risk of injury.
  6. **Do not expose a battery pack or tool to fire or excessive temperature.** Exposure to fire or temperature above 130 °C may cause explosion.
- Maintenance and storage**
1. **Replace worn or damaged parts for safety. Use only genuine replacement parts and accessories.**
  2. **Inspect and maintain the mower regularly.**
  3. **When not in use, store the mower out of the reach of children.**
  4. **Keep all nuts, bolts, and screws tight to be sure the equipment is in safe working condition.**

7. Follow all charging instructions and do not charge the battery pack or tool outside the temperature range specified in the instructions. Charging improperly or at temperatures outside the specified range may damage the battery and increase the risk of fire.

#### Electrical and battery safety

1. Do not dispose of the battery(ies) in a fire. The cell may explode. Check with local codes for possible special disposal instructions.
2. Do not open or mutilate the battery(ies). Released electrolyte is corrosive and may cause damage to the eyes or skin. It may be toxic if swallowed.
3. Do not charge battery in rain, or in wet locations.
4. Do not charge the battery outdoors.
5. Do not handle charger, including charger plug, and charger terminals with wet hands.
6. Do not replace the battery in the rain.
7. Do not wet the terminal of battery with liquid such as water, or submerge the battery. Do not leave the battery in the rain, nor charge, use, or store the battery in a damp or wet place. If the terminal gets wet or liquid enters inside of battery, the battery may be short circuited and there is a risk of overheat, fire, or explosion.
8. After removing the battery from the machine or charger, be sure to attach the battery cover to the battery and store it in a dry place.
9. Do not replace the battery with wet hands.

#### Service

1. Have your power tool serviced by a qualified repair person using only identical replacement parts. This will ensure that the safety of the power tool is maintained.
2. Never service damaged battery packs. Service of battery packs should only be performed by the manufacturer or authorized service providers.

## SAVE THESE INSTRUCTIONS.

**⚠WARNING:** DO NOT let comfort or familiarity with product (gained from repeated use) replace strict adherence to safety rules for the subject product.

MISUSE or failure to follow the safety rules stated in this instruction manual may cause serious personal injury.

### Important safety instructions for battery cartridge

1. Before using battery cartridge, read all instructions and cautionary markings on (1) battery charger, (2) battery, and (3) product using battery.
2. Do not disassemble or tamper the battery cartridge. It may result in a fire, excessive heat, or explosion.
3. If operating time has become excessively shorter, stop operating immediately. It may result in a risk of overheating, possible burns and even an explosion.
4. If electrolyte gets into your eyes, rinse them out with clear water and seek medical attention right away. It may result in loss of your eyesight.
5. Do not short the battery cartridge:
  - (1) Do not touch the terminals with any conductive material.
  - (2) Avoid storing battery cartridge in a container with other metal objects such as nails, coins, etc.
  - (3) Do not expose battery cartridge to water or rain.

A battery short can cause a large current flow, overheating, possible burns and even a breakdown.
6. Do not store and use the tool and battery cartridge in locations where the temperature may reach or exceed 50 °C (122 °F).
7. Do not incinerate the battery cartridge even if it is severely damaged or is completely worn out. The battery cartridge can explode in a fire.
8. Do not nail, cut, crush, throw, drop the battery cartridge, or hit against a hard object to the battery cartridge. Such conduct may result in a fire, excessive heat, or explosion.
9. Do not use a damaged battery.
10. The contained lithium-ion batteries are subject to the Dangerous Goods Legislation requirements. For commercial transports e.g. by third parties, forwarding agents, special requirement on packaging and labeling must be observed. For preparation of the item being shipped, consulting an expert for hazardous material is required. Please also observe possibly more detailed national regulations. Tape or mask off open contacts and pack up the battery in such a manner that it cannot move around in the packaging.
11. When disposing the battery cartridge, remove it from the tool and dispose of it in a safe place. Follow your local regulations relating to disposal of battery.
12. Use the batteries only with the products specified by Makita. Installing the batteries to non-compliant products may result in a fire, excessive heat, explosion, or leak of electrolyte.
13. If the tool is not used for a long period of time, the battery must be removed from the tool.
14. During and after use, the battery cartridge may take on heat which can cause burns or low temperature burns. Pay attention to the handling of hot battery cartridges.
15. Do not touch the terminal of the tool immediately after use as it may get hot enough to cause burns.
16. Do not allow chips, dust, or soil stuck into the terminals, holes, and grooves of the battery cartridge. It may result in poor performance or breakdown of the tool or battery cartridge.
17. Unless the tool supports the use near high-voltage electrical power lines, do not use the battery cartridge near a high-voltage electrical power lines. It may result in a malfunction or breakdown of the tool or battery cartridge.

18. Keep the battery away from children.

## SAVE THESE INSTRUCTIONS.

**⚠ CAUTION:** Only use genuine Makita batteries. Use of non-genuine Makita batteries, or batteries that have been altered, may result in the battery bursting causing fires, personal injury and damage. It will also void the Makita warranty for the Makita tool and charger.

## Tips for maintaining maximum battery life

1. Charge the battery cartridge before completely discharged. Always stop tool operation and charge the battery cartridge when you notice less tool power.
2. Never recharge a fully charged battery cartridge. Overcharging shortens the battery service life.
3. Charge the battery cartridge with room temperature at 10 °C - 40 °C (50 °F - 104 °F). Let a hot battery cartridge cool down before charging it.
4. When not using the battery cartridge, remove it from the tool or the charger.
5. Charge the battery cartridge if you do not use it for a long period (more than six months).

## ASSEMBLY

**⚠ WARNING:** Always be sure that the lock key and battery cartridge are removed before carrying out any work on the mower. Failure to remove the lock key and the battery cartridge may result in serious personal injury from accidental start-up.

**⚠ WARNING:** Never start the mower unless it is completely assembled. Operation of the machine in a partially assembled state may result in serious personal injury from accidental start-up.

## Installing the handle

**NOTICE:** When installing handles, position the cords so that they are not caught by anything between the handles. If the cord is damaged, the mower switch may not work.

1. Align the holes in the lower handle with the holes in the mower body, and then tighten 4 bolts temporarily.  
▶ Fig.1: 1. Lower handle 2. Bolt
2. Firmly tighten 4 bolts which were temporarily tightened in step 1 using box wrench 13.
3. Align the hole in the lower handle with the hole in the upper handle, then insert the bolt from inside, and then tighten the nut from outside with box wrench 13. Perform the same procedure on the other side.  
▶ Fig.2: 1. Bolt 2. Lower handle 3. Nut 4. Hole 5. Upper handle

**⚠ CAUTION:** Hold the upper handle firmly so that it does not drop off your hand. Otherwise, the handle may fall and cause an injury.

4. Attach the holders to the handle.

Align the protrusions on the holder with the holes on the handle so that the protrusions fit in the holes. Position the cords as shown in the figure.

▶ Fig.3: 1. Cord 2. Holder

## Removing the mulching plug

1. Open the rear cover.

▶ Fig.4: 1. Rear cover

2. Remove the mulching plug while holding down the lever.

▶ Fig.5: 1. Lever 2. Mulching plug

## Installing or removing the grass basket

To install the grass basket, follow the steps below.

1. Open the rear cover.

▶ Fig.6: 1. Rear cover

2. Hold the handle of the grass basket, and then hook the grass basket on the rod of the mower body as shown in the figure.

▶ Fig.7: 1. Rod 2. Handle 3. Grass basket

To remove the grass basket, open the rear cover, and then remove the grass basket by holding the handle.

## Attaching the mulching plug

1. Open the rear cover, and then remove the grass basket.

▶ Fig.8: 1. Rear cover 2. Grass basket

2. Attach the mulching plug while holding down the lever, and then release the lever to lock the mulching plug.

▶ Fig.9: 1. Lever 2. Mulching plug

## Attaching the discharge attachment

For DLM530/DLM532

1. Open the rear cover, and then remove the grass basket.

▶ Fig.10: 1. Rear cover 2. Grass basket

2. Attach the mulching plug while holding down the lever, and then release the lever to lock the mulching plug.

▶ Fig.11: 1. Lever 2. Mulching plug

3. Open the right side cover, and then attach the discharge attachment.

Insert the hooks of the discharge attachment under the rod of the right side cover.

▶ Fig.12: 1. Right side cover 2. Discharge attachment

# FUNCTIONAL DESCRIPTION

## Installing or removing battery cartridge

**⚠ CAUTION:** Always switch off the machine before installing or removing of the battery cartridge.

**⚠ CAUTION:** Hold the machine and the battery cartridge firmly when installing or removing battery cartridge. Failure to hold the machine and the battery cartridge firmly may cause them to slip off your hands and result in damage to the machine and battery cartridge and a personal injury.

**⚠ CAUTION:** Make sure that you lock the battery cover before use. Otherwise, mud, dirt, or water may cause damage to the product or the battery cartridge.

**⚠ CAUTION:** Always install the battery cartridge fully until the red indicator cannot be seen. If not, it may accidentally fall out of the machine, causing injury to you or someone around you.

**⚠ CAUTION:** Do not install the battery cartridge forcibly. If the cartridge does not slide in easily, it is not being inserted correctly.

**NOTE:** The machine does not work with only one battery cartridge.

### To install the battery cartridge;

1. Pull up the locking lever, and then open the battery cover.  
▶ **Fig.13:** 1. Battery cover 2. Locking lever
2. Align the tongue on the battery cartridge with the slot on the machine, and then slide the cartridge until it locks in place with a little click.  
▶ **Fig.14:** (1) Battery port 1 (2) Battery port 2 (3) Battery cartridge

**NOTE:** Install at least 2 battery cartridges to battery port 1 or battery port 2.

3. Insert the lock key in the place shown in the figure as far as it will go.

▶ **Fig.15:** 1. Lock key

4. Close the battery cover and push it until it is latched with the locking lever.

### To remove the battery cartridge;

1. Pull up the locking lever and open the battery cover.
2. Pull out the battery cartridge from the machine while sliding the button on the front of the cartridge.
3. Pull out the lock key.
4. Close the battery cover.

## Switching the battery cartridges

▶ **Fig.16:** 1. Battery selection switch

The machine uses 2 battery cartridges for operation at a time. Up to 4 battery cartridges can be installed to the machine. Before operating the machine, select the battery port 1 or battery port 2 by turning the battery selection switch.

**NOTE:** If only 2 battery cartridges are installed to the machine, be sure to select the battery port to which the battery cartridges are installed using the battery selection switch.

## Machine / battery protection system

The machine is equipped with a machine/battery protection system. This system automatically cuts off power to the motor to extend machine and battery life. The machine will automatically stop during operation if the machine or battery is placed under one of the following conditions:

### Overload protection

When the battery is operated in a manner that causes it to draw an abnormally high current, the machine automatically stops and the main power lamp blinks in green. In this situation, turn the machine off and stop the application that caused the machine to become overloaded. Then turn the machine on to restart.

### Overheat protection

When the machine or battery is overheated, the machine stops automatically and the main power lamp lights up in red. In this case, let the machine and battery cool before turning the machine on again.

### Overdischarge protection

When the battery capacity is not enough, the machine stops automatically and the main power lamp blinks in red. In this case, remove the battery from the machine and charge the battery cartridges or change the battery cartridges to fully charged ones.

## Indicating the remaining battery capacity

**Only for battery cartridges with the indicator**

▶ **Fig.17:** 1. Indicator lamps 2. Check button

Press the check button on the battery cartridge to indicate the remaining battery capacity. The indicator lamps light up for a few seconds.

Indicator lamps			Remaining capacity
Lighted	Off	Blinking	
■ ■ ■ ■			75% to 100%
■ ■ ■ □			50% to 75%
■ ■ □ □			25% to 50%
■ □ □ □			0% to 25%
▣ □ □ □			Charge the battery.
■ ■ □ □			The battery may have malfunctioned.
□ □ ■ ■			

**NOTE:** Depending on the conditions of use and the ambient temperature, the indication may differ slightly from the actual capacity.

## Control panel

The control panel has the main power switch, the mode switching button, and the indicator of remaining battery capacity.

- **Fig.18:** 1. Battery indicator 2. Mode switching lamp 3. Main power lamp 4. Check button 5. Mode switching button 6. Main power switch

## Main power switch

**⚠ WARNING:** Always turn off the main power switch when not in use.

To turn on the machine, press the main power switch. The main power lamp lights up in green. To turn off the machine, press the main power switch again.

**NOTE:** If the main power lamp lights up in red or blinks in red or green, refer to the instructions for machine/battery protection system.







**NOTE:** This machine employs the auto power-off function. To avoid unintentional start up, the main power switch will automatically shut down when the switch lever and drive lever (if equipped) are not pulled for a certain period after the main power switch is turned on.

## Mode switching button

You can switch the operating mode by pressing the mode switching button. When the machine is turned on, the machine starts up in the normal mode. When you press the mode switching button, the machine shifts to the noise reduction mode and the mode switching lamp lights up in green. In the noise reduction mode, you can decrease the noise at mowing. When you press the mode switching button again, the machine returns to the normal mode.

## Indicating the remaining battery capacity

Press the check button to indicate the remaining battery capacities. The battery indicators correspond to each battery.

Battery indicator status		Remaining battery capacity
On	Off	
		50% - 100%
		20% - 50%
		0% - 20%

**NOTE:** The indicator lamps for remaining battery capacity is just for a reference. The actual battery capacity may differ depending on the usage conditions.

**NOTE:** Before you press the check button to indicate the remaining battery capacities, stop the machine.

## Switch action

**⚠ WARNING:** Before installing the battery cartridge, always check to see that the switch lever actuates properly and returns to the original position when released. Operating the machine with a switch that does not actuate properly can lead to loss of control and serious personal injury.

**NOTE:** The mower does not start without pressing the switch button even the switch lever is pulled.

**NOTE:** Mower may not start due to the overload when you try to mow long or dense grass at a time. Increase the mowing height in this case.

This mower is equipped with the lock key and handle switch. If you notice anything unusual with either of the lock key or switch, stop the operation immediately and have them checked by your nearest Makita Authorized Service Center.

### For DLM462/DLM532

1. Install the battery cartridges. Insert the lock key, and then close the battery cover.
2. Select the battery cartridges used for operation by turning the battery selection switch.
3. Press the main power switch.
4. Pull the switch lever toward you while holding down the switch button. Release the switch button as soon as the motor starts running.

► **Fig.19:** 1. Switch button 2. Switch lever

**NOTE:** If the lock key is not inserted, the power lamp blinks in green when you pull the switch lever.

5. While holding the switch lever, push the drive lever forward and hold it to drive the rear wheels.

► **Fig.20:** 1. Drive lever

**NOTE:** You can drive the rear wheels by pushing the drive lever forward and hold it without pulling the switch lever.

6. Release the drive lever and the switch lever to stop the machine.

### For DLM530

1. Install the battery cartridges. Insert the lock key, and then close the battery cover.
2. Select the battery cartridges used for operation by turning the battery selection switch.
3. Press the main power switch.
4. Pull the switch lever toward you while holding down the switch button. Release the switch button as soon as the motor starts running.

► **Fig.21:** 1. Switch button 2. Switch lever

**NOTE:** If the lock key is not inserted, the power lamp blinks in green when you pull the switch lever.

5. Release the switch lever to stop the motor.



## Adjusting the mowing height

**⚠ WARNING:** Never put your hand or leg under the mower body when adjusting the mowing height.

**⚠ WARNING:** Always make sure that the lever fits in the groove properly before operation.

The mowing height can be adjusted in the range of between 20 mm and 100 mm.

Remove the lock key, and then pull the mowing height adjusting lever outward of the mower body and move it to your desired mowing height.

► **Fig.22:** 1. Mowing height adjusting lever

The table below shows the relationship between the number on the mower body and the approximate mowing height.

Number	Mowing height
1	20 mm
2	26 mm
3	32 mm
4	39 mm
5	47 mm
6	55 mm
7	63 mm
8	74 mm
9	86 mm
10	100 mm

Hold the front grip or the lower handle with one hand, and then move the mowing height adjusting lever with the other hand.

► **Fig.23:** 1. Mowing height adjusting lever 2. Lower handle 3. Front grip

**NOTE:** The mowing height figures should be used just as a guideline. Depending on the conditions of the lawn or the ground, the actual lawn height may become slightly different from the set height.

**NOTE:** Try a test mowing of grass in a less conspicuous place to get your desired height.

## Grass level indicator

Grass level indicator shows the volume of mowed grass. When the grass basket is not full, the indicator floats while the blades are running.

► **Fig.24:** 1. Grass level indicator

When the grass basket is almost full, the indicator does not float while the blades are running. In this case, stop the operation immediately and empty the basket.

► **Fig.25:** 1. Grass level indicator

**NOTE:** This indicator is a rough guide. Depending on the conditions of inside of the basket, this indicator may not work properly.

## Adjusting the handle height

**⚠ CAUTION:** Before removing the bolts, hold the upper handle firmly. Otherwise, the handle may fall and cause an injury.

The handle height can be adjusted in two levels.

1. Remove the upper bolts of the lower handle using box wrench 13, and then loosen the lower bolts.

► **Fig.26:** 1. Upper bolt 2. Lower bolt

2. Adjust the handle height, and then tighten the upper and lower bolts firmly.

## Adjusting the traveling speed

For DLM462/DLM532

► **Fig.27:** 1. Speed lever

The traveling speed can be adjusted with the speed lever. To decrease the speed, pull the lever toward you, and to increase the speed, turn the lever forward.

## Using mulching plug

The mulching plug allows you to return the cut grass to the ground without gathering the cut grass in the grass basket. When you operate the machine with the mulching plug, be sure to remove the grass basket.

**NOTICE:** When using the machine with the mulching plug, make sure that the total length of grass after cutting is 30 mm or more, and the cut length is 15 mm or less.

► **Fig.28:** (1) 30 mm or more (2) 15 mm or less

## Using discharge attachment

For DLM530/DLM532

The discharge attachment allows you to discharge the cut grass to the ground from the right side of the machine without gathering the cut grass in the grass basket. When you operate the machine with the discharge attachment, be sure to install the mulching plug and remove the grass basket.

## Electronic function

The machine is equipped with the electronic functions for easy operation.

- Constant speed control of blade rotation  
Electronic speed control for obtaining constant speed. Possible to get fine finish, because the rotating speed is kept constant even under load condition.
- Soft start at driving  
The soft-start function minimizes start-up shock, and makes the machine start smoothly.
- Electric brake  
This machine is equipped with an electric brake. If the machine consistently fails to quickly stop the mower blades after releasing the switch lever, have the machine serviced at Makita Authorized Service Center.

# OPERATION

## Mowing

**▲WARNING:** Before mowing, clear away sticks and stones from mowing area. Furthermore, clear away any weeds from mowing area in advance.

**▲WARNING:** Always wear the safety goggles or safety glasses with side shields when operating the mower.

**▲CAUTION:** If the cut grass or foreign object blocks up inside of the mower body, be sure to remove the lock key and battery cartridge and wear gloves before removing the grass or foreign object.

**NOTICE:** Use this machine for mowing lawn only. Do not mow weeds with this machine.

► Fig.29

Firmly hold the handle with both hands when mowing. The mowing speed guideline is approximately 7 to 14 meters per 10 seconds.

► Fig.30

The center lines of the front wheels are guidelines to mowing width. Using the center lines as guidelines, mow in strips. Overlap by one half to one third the previous strip to mow the lawn evenly.

► Fig.31: 1. Mowing width 2. Overlapping area  
3. Center line

Change the mowing direction each time to prevent the grass grain pattern from forming in just one direction.

► Fig.32

Periodically check the grass basket for mowed grass. Empty the grass before it becomes full. Before every periodical check, be sure to stop the mower then remove the lock key and the battery cartridge.

**NOTICE:** Using the mower with the grass basket full prevents smooth blade rotation and places an extra load on the motor, which may cause breakdown.

## Mowing a long-grass lawn

Do not try to cut long grass all at once. Instead, mow the lawn in steps. Leave a day or two between mowings until the lawn becomes evenly short.

► Fig.33

**NOTE:** Mowing long grass to a short length all at once may cause the grass to die. The cut grass may also block up inside of the mower body.

## Emptying the grass basket

**▲WARNING:** To reduce a risk of accident, regularly check the grass basket for any damage or weakened strength. Replace the grass basket if necessary.

1. Release the switch lever and drive lever (for DLM462/DLM532), or release the switch lever (for DLM530).
2. Remove the lock key.
3. Open the rear cover and take out the grass basket by holding the handle.  
► Fig.34: 1. Rear cover 2. Handle 3. Grass basket
4. Empty the grass basket.

# MAINTENANCE

**▲WARNING:** Always be sure that the lock key and battery cartridge are removed from the mower before storing or carrying the mower or attempting to perform inspection or maintenance.

**▲WARNING:** Always remove the lock key when the mower is not in use. Store the lock key in a safe place out of reach of children.

**▲WARNING:** Wear gloves when performing inspection or maintenance.

**▲WARNING:** Always wear the safety goggles or safety glasses with side shields when performing inspection or maintenance.

**NOTICE:** Never use gasoline, benzine, thinner, alcohol or the like. Discoloration, deformation or cracks may result.

To maintain product SAFETY and RELIABILITY, repairs, any other maintenance or adjustment should be performed by Makita Authorized or Factory Service Centers, always using Makita replacement parts.

## Maintenance

1. Remove the lock key and battery cartridges, and then close the battery cover.
2. Put the mower on its side so that the mowing height adjusting lever comes to the upper side. Clean grass clippings accumulated on the underside of mower deck.
3. Pour water toward the bottom of the machine to which the blade is attached.

**NOTICE:** Do not wash the machine with high pressure water.

4. Check all nuts, bolts, screws, etc. for tightness.
5. Inspect moving parts for damage, breakage, and wear. Damaged or missing parts should be repaired or replaced.
6. Store the mower in a safe place out of the reach of children.

For DLM462/DLM532

**NOTICE:** Do not pour water to the area shown in the figure. Pouring water to the motor unit may cause a malfunction of the machine.

► Fig.35: 1. Area where water should not be poured

## Carrying the mower

When carrying the mower, hold the front grip and rear grip with two people as shown in the figure.

► **Fig.36:** 1. Front grip 2. Rear grip

## Storing

Store mower indoors in a cool, dry and locked place. Don't store the mower and charger in locations where the temperature may reach or exceed 40 °C.

## Removing or installing the mower blade

**⚠ WARNING:** The blade coasts for a few seconds after releasing the switch. Do not start any operation until the blade comes to a complete stop.

**⚠ WARNING:** Always remove the lock key and battery cartridge when removing or installing the blade. Failure to remove the lock key and battery cartridge may cause a serious injury.

**⚠ WARNING:** Always wear gloves when handling the blade.

### Removing the mower blade

#### For models equipped with straight mower blade

1. Put the mower on its side so that the mowing height adjusting lever comes to the upper side.
2. To lock the blade, insert the pin into a hole on the mower body.
3. Turn the bolt counterclockwise with box wrench 17.  
► **Fig.37:** 1. Mower blade 2. Pin 3. Box wrench
4. Remove the bolt, and then mower blade.  
► **Fig.38:** 1. Blade support 2. Mower blade 3. Bolt 4. Protrusion

**NOTICE:** When installing the mower blade, make sure that the protrusions on the blade support fit in the holes in the mower blade.

#### For models equipped with swing back mower blades

1. Put the mower on its side so that the mowing height adjusting lever comes to the upper side.
2. To lock the base plate, insert the pin into a hole on the mower body through a hole on the base plate.
3. Turn the bolt counterclockwise with box wrench 17.  
► **Fig.39:** 1. Pin 2. Base plate 3. Box wrench
4. Remove the bolt, and then base plate.  
► **Fig.40:** 1. Blade support 2. Base plate 3. Bolt 4. Protrusion

**NOTICE:** When installing the mower blades, make sure that the protrusions on the blade support fit in the holes in the base plate.

5. To remove the individual mower blade, turn the bolt counterclockwise with box wrench 17 while holding the base plate.  
► **Fig.41:** 1. Base plate 2. Mower blade 3. Box wrench
6. Remove the nut, washer, spring washer, mower blade, and bolt in order.  
► **Fig.42:** 1. Bolt hole 2. Bolt 3. Mower blade 4. Spring washer 5. Washer 6. Nut

**NOTICE:** When tightening the nuts to install the individual mower blades, apply 30 N·m as tightening torque.

**NOTICE:** When installing the individual mower blade, be sure to attach the spring washer in the direction as shown in the figure.

**NOTICE:** When installing the individual mower blade, be sure to insert the bolts into the bolt holes shown in the figure.

### Installing the mower blade

**⚠ WARNING:** Install the mower blade carefully. It has a top/bottom facing.

**⚠ WARNING:** Tighten the bolt clockwise firmly to secure the blade.

**⚠ WARNING:** Make sure that the mower blade and all the fixing parts are installed correctly and tightened securely.

**⚠ WARNING:** When you replace the blades, always follow the instructions provided in this manual.

**NOTICE:** After installing the mower blades, remove the pin from the mower body.

To install the mower blades, perform the removal procedure in reverse.

# TROUBLESHOOTING

Before asking for repairs, conduct your own inspection first. If you find a problem that is not explained in the manual, do not attempt to disassemble the machine. Instead, ask Makita Authorized Service Centers, always using Makita replacement parts for repairs.

State of abnormality	Probable cause (malfunction)	Remedy
Mower does not start.	Two battery cartridges are not installed.	Install two charged battery cartridges.
	Battery problem (under voltage)	Recharge the battery cartridge. If recharging is not effective, replace battery cartridge.
	The lock key is not inserted.	Insert the lock key.
	Battery selection switch is not in the correct position.	Select the battery port to which the battery cartridges are installed using the battery selection switch.
Motor stops running after a little use.	Battery's charge level is low.	Recharge the battery cartridge. If recharging is not effective, replace battery cartridge.
	Cutting height is too low.	Increase the cutting height.
	Cut grass is clogged in the mower.	Remove the clogged grass from the mower.
Motor does not reach maximum RPM.	Battery cartridge is installed improperly.	Install the battery cartridge as described in this manual.
	Battery power is dropping.	Recharge the battery cartridge. If recharging is not effective, replace battery cartridge.
	The drive system does not work correctly.	Ask your local authorized service center for repair.
Mower blade does not rotate: ⇒ stop the mower immediately!	Foreign object such as a branch is jammed near the blade.	Remove the foreign object.
	The drive system does not work correctly.	Ask your local authorized service center for repair.
Abnormal vibration: ⇒ stop the mower immediately!	Blade is imbalanced, excessively or unevenly worn.	Replace the blade.

## OPTIONAL ACCESSORIES

**⚠ CAUTION:** These accessories or attachments are recommended for use with your Makita machine specified in this manual. The use of any other accessories or attachments might present a risk of injury to persons. Only use accessory or attachment for its stated purpose.

If you need any assistance for more details regarding these accessories, ask your local Makita Service Center.

- Mower blade
- Makita genuine battery and charger

**NOTE:** Some items in the list may be included in the product package as standard accessories. They may differ from country to country.

## TEHNIČNI PODATKI

Model:		DLM462	DLM530	DLM532
Širina košnje (premer rezila)		460 mm	534 mm	
Hitrost brez obremenitve		2.500 min <sup>-1</sup>	2.300 min <sup>-1</sup>	
Najvišja hitrost		3.300 min <sup>-1</sup>	2.800 min <sup>-1</sup>	
Številka dela nadomestnega rezila kosilnice	Ravno rezilo kosilnice	191D51-9	191D52-7	
	Povratno rezilo kosilnice *1	191D49-6	191D50-1	
	Povratno rezilo kosilnice *2	191D47-0	191D48-8	
Mere (D x Š x V)		D: 1.610 mm do 1.690 mm Š: 535 mm V: 980 mm do 1.095 mm	D: 1.630 mm do 1.715 mm Š: 590 mm V: 990 mm do 1.095 mm	
Hitrost		2,5 – 5,0 km/h	–	2,5 – 5,0 km/h
Nazivna napetost		D.C. 36 V		
Neto teža	Ko je nameščeno ravno rezilo kosilnice	35,3 – 39,0 kg	35,5 – 39,3 kg	39,0 – 42,8 kg
	Ko so nameščena povratna rezila kosilnice	36,0 – 39,7 kg	36,2 – 40,0 kg	39,7 – 43,5 kg
Stopnja zaščite		IPX4		

\*1. Osnovna plošča in posamezna rezila kosilnice.

\*2. Samo posamezna rezila kosilnice.

- Ker nenehno opravljamo raziskave in razvijamo svoje izdelke, se lahko tehnični podatki v tem dokumentu spremenijo brez obvestila.
- Tehnični podatki se lahko razlikujejo od države do države.
- Teža se lahko razlikuje glede na priključke, vključno z akumulatorsko baterijo. Najlažja in najtežja kombinacija v skladu s postopkom EPTA 01/2014 sta prikazani v preglednici.

### Uporabna akumulatorska baterija

BL1815N / BL1820 / BL1820B / BL1830 / BL1830B / BL1840 / BL1840B / BL1850 / BL1850B / BL1860B






- Nekatere zgoraj navedene akumulatorske baterije morda v vaši državi prebivališča niso na voljo.

**⚠ OPOZORILO:** Uporabljajte le zgoraj navedene akumulatorske baterije. Uporaba drugih akumulatorskih baterij lahko povzroči telesne poškodbe in/ali požar.

**⚠ OPOZORILO:** S tem strojem ne uporabljajte električnega napajalnika s kablom, kot je adapter akumulatorja ali prenosna polnilna enota. Kabel tovrstnega električnega napajalnika lahko ovira delo in povzroči telesne poškodbe.

### Simboli

Naslednji simboli se lahko uporabljajo v povezavi s strojem. Pred uporabo izdelka se obvezno seznanite z njihovim pomenom.

	Potrebna je posebna pozornost in previdnost.
	Preberite navodila za uporabo.
	Nevarnost; pazite se letečih predmetov.
	Razdalja med orodjem in osebami v bližini mora biti najmanj 15 m.
	Nikoli ne približujte rok in nog rezilu pod kosilnico. Ko izklopite motor, se rezila še vedno vrtijo.



Pred pregledovanjem, prilagajanjem, čiščenjem, servisiranjem, puščanjem in shranjevanjem kosilnice vedno odstranite ključ za zaklep.



Nevarnost električnega toka. Stik z vodo lahko povzroči električni šok.



Ne polivajte z vodo.



Samo za države EU  
Ne zavrzite izrabljene električne opreme ali akumulatorskega sklopa med gospodinske odpadke! V skladu z Evropskimi direktivami o odpadni električni in elektronski opremi, baterijah in akumulatorjih, odpadnih baterijah in akumulatorjih ter upoštevanjem njihovih določil v skladu z državno zakonodajo je treba električno opremo, baterije in akumulatorje, katerih življenjski cikel je pretekel, zbirati ločeno in jih dostaviti v ustrezen obrat za recikliranje, ki deluje skladno z okoljevarstvenimi zahtevami.

## Predvidena uporaba

Stroj je namenjen košnji trave.

## Hrup

Običajna A-ovrednotena raven hrupa v skladu z EN60335-2-77:

**OPOMBA:** Vrednosti so bile izmerjene z ravnim rezilom kosilnice.

### Model DLM462

Raven zvočnega tlaka ( $L_{pA}$ ): 82,7 dB (A)

Raven zvočne moči ( $L_{WA}$ ): 90,9 dB (A)

Odstopanje (K): 3 dB (A)

### Model DLM530

Raven zvočnega tlaka ( $L_{pA}$ ): 78,1 dB (A)

Raven zvočne moči ( $L_{WA}$ ): 90,4 dB (A)

Odstopanje (K): 3 dB (A)

### Model DLM532

Raven zvočnega tlaka ( $L_{pA}$ ): 78,1 dB (A)

Raven zvočne moči ( $L_{WA}$ ): 90,4 dB (A)

Odstopanje (K): 3 dB (A)

Nivo hrupa med delom lahko preseže 80 dB (A).

**OPOMBA:** Navedene vrednosti oddajanja hrupa so bile izmerjene v skladu s standardnimi metodami testiranja in se lahko uporabljajo za primerjavo orodij.

**OPOMBA:** Navedene vrednosti oddajanja hrupa se lahko uporabljajo tudi pri predhodni oceni izpostavljenosti.

**⚠ OPOZORILO:** Uporabljajte zaščito za sluh.

**⚠ OPOZORILO:** Oddajanje hrupa med dejansko uporabo električnega orodja se lahko razlikuje od navedenih vrednosti, odvisno od načina uporabe orodja in predvsem vrste obdelovanca.

**⚠ OPOZORILO:** Upravljevec mora za lastno zaščito poznati varnostne ukrepe, ki temeljijo na oceni izpostavljenosti v dejanskih pogojih uporabe (poleg časa proženja je treba upoštevati celoten delovni cikel, vključno s časom, ko je orodje izklopljeno, in časom, ko deluje v prostem teku).

## Vibracije

Skupne vrednosti vibracij (vektorska vsota treh osi) v skladu z EN60335-2-77:

**OPOMBA:** Vrednosti so bile izmerjene z ravnim rezilom kosilnice.

### Model DLM462

Emisije vibracij ( $a_n$ ): 2,5 m/s<sup>2</sup> ali manj

Odstopanje (K): 1,5 m/s<sup>2</sup>

### Model DLM530

Emisije vibracij ( $a_n$ ): 2,5 m/s<sup>2</sup> ali manj

Odstopanje (K): 1,5 m/s<sup>2</sup>

### Model DLM532

Emisije vibracij ( $a_n$ ): 2,5 m/s<sup>2</sup> ali manj

Odstopanje (K): 1,5 m/s<sup>2</sup>

**OPOMBA:** Navedene skupne vrednosti oddajanja vibracij so bile izmerjene v skladu s standardnimi metodami testiranja in se lahko uporabljajo za primerjavo orodij.

**OPOMBA:** Navedene skupne vrednosti oddajanja vibracij se lahko uporabljajo tudi pri predhodni oceni izpostavljenosti.

**⚠ OPOZORILO:** Oddajanje vibracij med dejansko uporabo električnega orodja se lahko razlikuje od navedenih vrednosti, odvisno od načina uporabe orodja in predvsem vrste obdelovanca.

**⚠ OPOZORILO:** Upravljevec mora za lastno zaščito poznati varnostne ukrepe, ki temeljijo na oceni izpostavljenosti v dejanskih pogojih uporabe (poleg časa proženja je treba upoštevati celoten delovni cikel, vključno s časom, ko je orodje izklopljeno, in časom, ko deluje v prostem teku).

## Izjava o skladnosti ES

*Samo za evropske države*

Izjava ES o skladnosti je vključena v dodatku A, ki je priložen tem navodilom za uporabo.

## VARNOSTNA OPOZORIILA

### POMEMBNA VARNOSTNA NAVODILA

**⚠ OPOZORILO:** Preberite vsa varnostna opozorila in navodila. Neupoštevanje opozoril in navodil lahko privede do električnega udara, požara in/ali resnih telesnih poškodb.

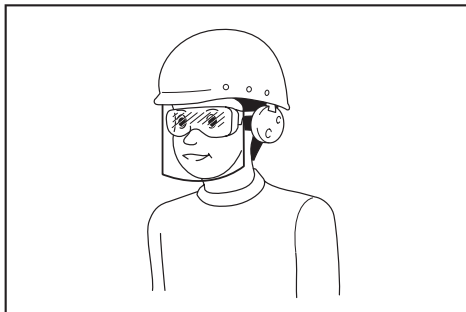
## Shranite vsa opozorila in navodila za poznejšo uporabo.

Usposabljanje

1. Pozorno preberite navodila. Seznanite se s funkcijami za upravljanje in pravilno uporabo kosilnice.
2. Nikoli ne dovolite uporabe kosilnice otrokom ali osebam, ki niso seznanjene z navodili. Lokalni predpisi lahko omejijo starost uporabnika naprave.
3. Nikoli ne uporabljajte kosilnice v bližini ljudi, zlasti otrok ali hišnih ljubljencev.
4. Upoštevajte, da je upravljevec ali uporabnik odgovoren za nesreče ali nevarnosti, ki se zgodijo drugim ljudem ali njihovi lastnini.
5. Zagotovite ustrezen nadzor otrok in preprečite igranje s kosilnico.
6. Fizično stanje – ne uporabljajte kosilnice, kadar ste pod vplivom drog, alkohola ali kakršnih koli zdravil.

## Priprava

1. Med delom s kosilnico vedno nosite ustrezno obutev in dolge hlače. Kosilnice ne uporabljajte, ko ste bosí ali nosite odprte sandale. Ne nosite oblačil ali nakita, ki so ohlapna ali imajo viseče vrvice ali pentlje. Lahko se zataknejo v gibljive dele.
2. Preden začnete uporabljati kosilnico, preverite, da ni poškodovana in ji ne manjkajo nobena varovala in ščitniki oz. so ti ustrezno nameščeni.
3. Pred košnjo se prepričajte, da v območju košnje ni drugih oseb. Če kdor koli vstopi v območje, ustavite kosilnico.
4. Ne vstavljajte ključa za zaklep v kosilnico, dokler ni pripravljena za uporabo.
5. Pri uporabi električnih orodij vedno nosite zaščitna očala, da preprečite poškodbe oči. Očala morajo ustrezati standardu ANSI Z87.1 v ZDA, EN 166 v Evropi ali AS/NZS 1336 v Avstraliji/Novi Zelandiji. V Avstraliji/Novi Zelandiji je zakonsko zahtevano tudi nošenje obrazne zaščite.



Delodajalec mora zagotoviti, da upravljavci orodja in druge osebe v neposrednem delovnem območju uporabljajo ustrezno zaščitno opremo.

6. Pred uporabo skrbno preverite rezila ali vijake rezil glede obrabe, razpok ali poškodb. Takoj zamenjajte počena ali poškodovana rezila ali vijake rezil.
7. Pred košnjo iz delovnega območja odstranite tujke, kot so kamni, žice, steklenice, kosti in velike palice, da preprečite telesne poškodbe ali poškodbe kosilnice.
8. Predmeti, ob katere zadene rezilo, lahko povzročijo hude telesne poškodbe oseb. Pred vsako košnjo je treba trato vedno skrbno pregledati in z nje odstraniti vse predmete.
9. Osredotočite se na luknje, praske, vdolbine, kamne ali druge skrite predmete. Delo na neravnem terenu lahko povzroči drsenje in padec. Visoka trava lahko prikrije ovire.
10. Ključa za zaklep ne vstavljajte ali odstranjujte med dežjem.
11. Uporabljajte osebno zaščitno opremo. Vedno uporabljajte zaščito za oči. Uporaba zaščitne opreme (npr. protiprašna maska, nedrseči zaščitni čevlji, trdo pokrivalo ali zaščita za sluh) v primernih pogojih bo zmanjšala možnost telesnih poškodb.

## Uporaba

1. Ne segajte predaleč. Vselej pazite na to, da ohranite ravnotežje. Pri hoji po pobočjih bodite vedno previdni. Hodite, ne tecite.
2. Izklopite kosilnico, odstranite ključ za zaklep in se prepričajte, da so vsi premični deli popolnoma pri miru:
  - kadar pustite kosilnico nenadzorovano,
  - preden odpravite ovire ali očistite korito,
  - pred pregledom, čiščenjem ali delom na kosilnici,
  - po trku s tujkom. Preden ponovno zaženete in uporabite kosilnico, jo pregledajte, da ni poškodovana, in jo popravite,
  - kadar kosilnica začne neobičajno vibrirati.
3. Ne uporabljajte kosilnice z okvarjenimi varovali ali ščitniki ali brez varnostnih naprav, npr. deflektorjev, in/ali nameščenega koša za travo.
4. Kosilnice ne uporabljajte ob slabem vremenu, še posebej, kadar bliska.
5. Med uporabo kosilnice vedno nosite zaščito za oči in robustne čevlje.
6. Kosilnico upravljajte samo podnevi ali ob dobri umetni svetlobi.
7. Zaženite kosilnico v skladu z navodili in bodite pozorni, da so vaše noge in roke dovolj oddaljene od rezil/-a.
8. Bodite previdni, da si z rezili kosilnice ne poškodujete stopal in dlani.
9. Poskrbite, da v odprtinah za prezračevanje nikoli ni smeti.
10. Kosite prečno po pobočju, nikoli gor in dol. Kadar na pobočjih menjujete smer, bodite izjemno previdni. Ne kosite pri izredno nagnjenih pobočjih.
11. Bodite izjemno previdni, ko premikate kosilnico vzvratno ali jo vlečete proti sebi.
12. Ustavite rezilo/-a, če morate kosilnico nagniti, kadar se pomikate po netravnatih površinah in kadar kosilnico prenašate od območja, ki ga želite pokositi, ali z njega.
13. Med zagonom motorja ne nagibajte kosilnice, razen če je to potrebno. V tem primeru kosilnice ne nagibajte več, kot je potrebno, in dvignite samo tisti del, ki je obrnjen stran od upravljavca. Preden postavite kosilnico na tla, se vedno prepričajte, da sta obe roki v delovnem položaju.
14. Ne segajte z rokami ali nogami pod vrteče se dele ali v njihovo bližino. Vedno bodite odmaknjeni od odprtine za izmet.
15. Med prevozom kosilnica ne sme biti vključena.
16. Ne uporabljajte kosilnice za košnjo mokre trave.
17. Vedno trdno držite ročaj.
18. Kadar dvigujete ali držite kosilnico, ne prijemajte izpostavljenih rezil ali rezalnih robov.
19. Ne približujte rok in nog vrtečim se rezilom. Previdno: rezila se po izklopu kosilnice prosto premikajo.
20. Če opazite kaj neobičajnega, takoj prenehajte uporabljati kosilnico. Izklopite kosilnico in odstranite ključ za zaklep. Nato pregledajte kosilnico.
21. Če ima kosilnica funkcijo nastavitve višine za rezanje, nikoli ne poskušajte prilagajati višine za rezanje, ko je kosilnica vklopljena.

22. **Preden prečkate dovoze, pločnike, ceste in katere koli peščene površine, sprostite preklonno ročico in počakajte, da se rezilo ustavi. Ključ za zaklep odstranite tudi če pustite kosilnico, sežete, da bi pobrali ali odstranili nekaj s poti, ali iz katerega koli drugega razloga, ki bi vam lahko preusmeril pozornost.**
23. **Če kosilnica zadene ob tujek, upoštevajte naslednja navodila:**
  - Ustavite kosilnico, sprostite preklonno ročico in počakajte, da se rezilo popolnoma ustavi.
  - Odstranite ključ za zaklep in akumulatorsko baterijo.
  - Natančno preglejte kosilnico in preverite morebitne poškodbe.
  - Če je rezilo kakor koli poškodovano, ga zamenjajte. Pred ponovnim zagonom in nadaljnjo uporabo kosilnice popravite vse poškodbe.
24. **Ne zaganjajte kosilnice, kadar stojite pred odprtino za izmet.**
25. **Če začne kosilnica neobičajno vibrirati (tako pregledajte):**
  - pregledajte glede poškodb,
  - zamenjajte ali popravite vse poškodovane dele,
  - preverite in pritrdite vse razrahljane dele.
26. **Ne usmerjajte izvrženega materiala v ljudi. Ne praznite materiala v steno ali drugo oviro. V tem primeru se lahko namreč odbije nazaj v upravljavca. Zaustavite rezilo, ko peljete čez pesek.**
27. **Ne vlečite kosilnice vzvratno, če to ni res nujno. Ko morate kosilnico peljati vzvratno, da se izognete ograji ali podobni oviri, glejte na tla in za sabo pred vzratnim pomikanjem in med njim.**
28. **Izklopote motor in počakajte, da se rezilo zaustavi, preden odstranite lovilnik trave. Bodite previdni, saj se rezila po izklopu še vedno nekaj časa vrtijo.**
29. **Kadar stroj uporabljate na blatnih tleh, mokrem pobočju ali kraju, na katerem drsi, pazite, da vam ne spodrsne.**
30. **Izogibajte se delu v okolju, kjer je mogoče pričakovati večjo utrujenost uporabnika.**
31. **Stroja ne uporabljajte v slabem vremenu, ko je vidljivost omejena. Če tega ne upoštevate, lahko stroj pade ali pride do nepravilnega delovanja zaradi slabe vidljivosti.**
32. **Stroja ne potaplajte v lužo.**
33. **Kadar se v sesalno odprtino (odprtino za prezračevanje) zaradi dežja prilepijo mokri listi ali umazanija, te tujke odstranite.**
34. **Stroja ne uporabljajte v snegu.**
35. **Če je odrezana trava mokra, obstaja velika verjetnost, da se bo zamašila v notranjosti stroja. Redno preverjajte stanje stroja in po potrebi odstranjujte prilepljeno travo.**
36. **Ko stroj uporabljate, bodite pozorni na vodovodno in električno napeljavo.**
37. **S tem strojem ne uporabljajte električnega napajalnika s kablom, kot je adapter akumulatorja ali prenosna polnilna enota. Kabel tovrstnega električnega napajalnika lahko ovira delo in povzroči telesne poškodbe.**

## Vzdrževanje in shranjevanje

1. **Zaradi varnosti zamenjajte obrabljene ali poškodovane dele. Uporabljajte samo originalne nadomestne dele in pripomočke.**
  2. **Redno pregledujte in vzdržujte kosilnico.**
  3. **Kadar kosilnice ne uporabljate, jo hranite izven dosega otrok.**
  4. **Vse maticе, čepi in vijaki naj bodo trdno priti, da zagotovite varno delovanje naprave.**
  5. **Redno pregledujte koš za travo glede obrabljenosti ali okvar. Pri shranjevanju se vedno prepričajte, da je koš za travo prazen. Zaradi varnosti obrabljeni koš za travo zamenjajte z novim tovarniškim košem.**
  6. **Uporabljajte samo originalna proizvajalčeva rezila, opredeljena v tem priročniku.**
  7. **Med nastavljanjem kosilnice bodite previdni, da preprečite ujetje prstov med premikajoča se rezila in fiksne dele stroja.**
  8. **Pogosto preverite, ali je vijak za pritrditev rezila ustrezno zategnjen.**
  9. **Pred shranjevanjem vedno počakajte, da se kosilnica ohladi.**
  10. **Pri servisu rezil upoštevajte, da se lahko rezila še vedno premaknejo, čeprav je napajanje izključeno.**
  11. **Ne odstranjujte ali spreminjajte varnostnih naprav. Redno preverjajte njihovo pravilno delovanje. Ne poskušajte spreminjati funkcije, za katero je namenjena varnostna naprava, ali vplivati na zaščito, ki jo ponuja.**
  12. **Stroja ne puščajte zunaj v dežju brez nadzora.**
  13. **Stroja ne perite z vodo pod visokim tlakom.**
  14. **Pri pranju stroja morate odstraniti akumulator in ključ za zaklep, zapreti pokrov akumulatorja in vodo nalivati proti spodnjemu delu stroja, na katerega je pritrjeno rezilo.**
  15. **Pri shranjevanju stroja se izogibajte neposredni sončni svetlobi in dežju; stroj hranite na mestu, kjer se ne bo segrel ali navlažil.**
  16. **Pregled ali vzdrževanje opravite na mestu, kjer se lahko izognete dežju.**
  17. **Po uporabi stroja odstranite prilepljeno umazanje in pred shranjevanjem stroj povsem osušite. Odvisno od sezone ali območja obstaja nevarnost okvare zaradi zmrzovanja.**
- ### Uporaba akumulatorskega orodja in ravnanje z njim
1. **Orodje polnite samo s polnilnikom, ki ga je določil proizvajalec. Polnilnik, ki je primeren za eno vrsto akumulatorskih baterij, lahko pomeni nevarnost požara, če ga uporabljate z drugimi akumulatorskimi baterijami.**
  2. **Električno orodje uporabljajte le s posebej označenimi akumulatorskimi baterijami. Uporaba drugih akumulatorskih baterij lahko pomeni nevarnost telesnih poškodb in požara.**
  3. **Ko akumulatorske baterije ne uporabljate, je ne hranite ob kovinskih predmetih, kot so sponke za papir, kovanci, ključi, želblji, vijaki ali drugi manjši kovinski predmeti, ki lahko povzročijo stik med priključkoma. Kratak stik akumulatorskih priključkov lahko povzroči opeklino ali požar.**



## Pomembna varnostna navodila za akumulatorsko baterijo

4. V neprimernih pogojih lahko iz akumulatorja uhaja tekočina; izogibajte se stiku. Če pride do nenamerne stika, sperite z vodo. Če pride tekočina v stik z očmi, takoj poiščite zdravniško pomoč. Tekočina iz akumulatorja lahko povzroči draženje ali opekline.
5. Ne uporabljajte akumulatorskega sklopa ali orodja, ki je poškodovano ali spremenjeno. Delovanje poškodovanih ali spremenjenih akumulatorjev je nepredvidljivo in lahko povzroči požar, eksplozijo ali telesne poškodbe.
6. Akumulatorskega sklopa in orodja ne izpostavljajte ognju ali previsoki temperaturi. Izpostavljenost ognju ali temperaturam nad 130 °C lahko povzroči eksplozijo.
7. Upoštevajte vsa navodila glede polnjenja in akumulatorskih baterij ali orodja ne polnite zunaj določenega temperaturnega obsega. Nepravilno polnjenje ali polnjenje pri temperaturah, ki so zunaj določenega obsega, lahko poškoduje akumulator in poveča nevarnost požara.

### Električna zaščita in zaščita akumulatorja

1. Akumulatorja/-ev ni dovoljeno metati v ogenj. Celica lahko eksplodira. Preverite lokalne predpise glede morebitnih posebnih navodil za odstranjevanje.
2. Ne odpirajte ali spreminjajte akumulatorja/-ev. Sproščeni elektrolit je koroziven in lahko povzroči poškodbe oči ali kože. Pri zaužitju je lahko strupen.
3. Akumulatorja ne polnite v dežju ali na mokrih mestih.
4. Akumulatorja ne polnite na prostem.
5. Ne dotikajte se polnilnika, vtiča polnilnika in priključkov polnilnika z mokrimi rokami.
6. Akumulatorja ne menjajte v dežju.
7. Priključka akumulatorja ne vlažite s tekočino, na primer vodo, prav tako ne potaplajte akumulatorja. Akumulatorja ne pustite na dežju, prav tako ga ne polnite, uporabljajte ali hranite na mokrem ali vlažnem mestu. Če se priključek zmoči ali v notranjost akumulatorja prodre voda, lahko pride do kratkega stika, posledično pa do nevarnosti pregrevanja, požara ali eksplozije.
8. Ko akumulator odstranite iz stroja ali polnilnika, na akumulator pritrdite pokrov akumulatorja in ga hranite na suhem mestu.
9. Akumulatorja ne menjajte z mokrimi rokami.

### Servis

1. Električno orodje lahko servisira samo usposobljen serviser, ki uporablja ustrezne nadomestne dele. Tako bo zagotovljena varnost električnega orodja.
2. Nikoli ne servisirajte poškodovanih akumulatorskih sklopov. Servis akumulatorskih sklopov lahko izvaja samo proizvajalec ali pooblaščen serviser.

## SHRANITE TA NAVODILA.

**⚠ OPOZORILO:** NE dovolite, da bi zaradi udobnejšega dela ali znanja o uporabi izdelka (pridobljenega z večkratno uporabo) opustili strogo upoštevanje varnostnih zahtev v okviru pravilne uporabe orodja.

ZLORABA ali neupoštevanje varnostnih zahtev v teh navodilih za uporabo lahko povzroči resne telesne poškodbe.

1. Pred uporabo baterijskega vložka preberite vsa navodila in opozorilne oznake na (1) polnilniku akumulatorja, (2) akumulatorju in (3) izdelku, ki uporablja akumulator.
2. Ne razstavljajte ali spreminjajte akumulatorske baterije. S tem lahko povzročite požar, prekomerno vročino ali eksplozijo.
3. Če se je čas delovanja občutno skrajšal, takoj prenehajte uporabljati orodje. V nasprotnem primeru lahko pride do pregretja, morebitnih opeklin in celo eksplozije.
4. Če pride elektrolit v stik z očmi, jih sperite s čisto vodo in takoj poiščite zdravniško pomoč. Posledica je lahko izguba vida.
5. Ne povzročite kratkega stika baterijskega vložka:
  - (1) Ne dotikajte se priključkov s kakršnim koli prevodnim materialom.
  - (2) Izogibajte se shranjevanju baterijskega vložka v vsebniku z drugimi kovinskimi predmeti kot so žbljji, kovanci itn.
  - (3) Ne izpostavljajte baterijskega vložka vodi ali dežju.Kratek stik akumulatorja lahko povzroči velik električni tok, pregrevanje, morebitne opekline in celo okvaro.
6. Ne shranjujte in uporabljajte orodja in akumulatorske baterije na mestih, kjer lahko temperatura doseže ali preseže 50 °C (122 °F).
7. Ne sežigajte baterijskega vložka, tudi če je hudo poškodovan ali v celoti izpraznjen. Baterijski vložek lahko v ognju eksplodira.
8. Ne pribijajte, režite, drobite, mečite, spuščajte akumulatorske baterije oziroma ne udarjajte z akumulatorsko baterijo po trdem predmetu. Takšno ravnanje lahko povzroči požar, prekomerno vročino ali eksplozijo.
9. Ne uporabljajte poškodovanih akumulatorjev.
10. Priložene litij-ionske baterije ustrezajo zahtevam zakonodaje v zvezi z nevarnim blagom. Za komercialne prevoze, npr. tiste, ki jih opravljajo tretje stranke in carinski posredniki, je treba upoštevati posebne zahteve v zvezi z embalažo in označevanjem. Med postopkom priprave na odpremo izdelka se je treba posvetovati s strokovnjakom za nevarne snovi. Pri tem upoštevajte tudi podrobnejše nacionalne predpise. Odprte stike oblepite z lepilnim trakom ali jih drugače zaščitite, baterijo pa zapakirajte tako, da se v embalaži ne more premikati.
11. Ko odstranjujete akumulatorsko baterijo, jo vzemite iz orodja in varno zavrzite. Upoštevajte lokalne uredbe glede odlaganja baterije.
12. Baterije uporabljajte le z izdelki, ki jih določa Makita. Če namestite baterije v neskladne izdelke, lahko pride do požara, pregrevanja, eksplozije ali puščanja elektrolita.
13. Če orodja dlje časa ne uporabljate, morate iz njega odstraniti baterijo.

14. Med uporabo in po uporabi lahko akumulatorska baterija postane vroča in povzroči opekline. Z vročimi akumulatorskimi baterijami ravnajte pazljivo.
15. Ne dotikajte se priključka orodja takoj po uporabi, ker se lahko dovolj segreje, da povzroči opekline.
16. Ne dovolite, da bi se v priključke, odprtine in utore akumulatorske baterije zlepili ostružki, prah ali zemlja. Umazanija lahko povzroči slabše delovanje ali okvaro orodja oziroma akumulatorske baterije.
17. Razen če orodje podpira uporabo v bližini visokonapetostnih električnih vodov, akumulatorske baterije ne uporabljajte v bližini visokonapetostnih električnih vodov. Takšna uporaba lahko povzroči motnje v delovanju ali okvaro orodja oziroma akumulatorske baterije.
18. Baterijo hranite izven dosega otrok.

## SHRANITE TA NAVODILA.

**⚠️ POZOR:** Uporabljajte le originalne baterije Makita. Če uporabljate neoriginalne baterije Makita ali baterije, ki so bile spremenjene, lahko pride do eksplozije baterije in posledično do požara, telesnih poškodb ali materialne škode. S takšno uporabo boste tudi razveljavili garancijo Makita za orodje in polnilnik Makita.

## Nasveti za ohranjanje največje zmogljivosti akumulatorja

1. Napolnite baterijski vložek, preden se v celoti izprazni. Ko opazite, da ima orodje manjšo moč, vedno ustavite delovanje orodja in napolnite baterijski vložek.
2. Nikoli znova ne polnite popolnoma napolnjenega baterijskega vložka. Prenapolnjenje skrajša življenjsko dobo akumulatorja.
3. Baterijski vložek s sobno temperaturo napolnite pri temperaturi okolja od 10 °C do 40 °C. Počakajte, da se vroč baterijski vložek pred polnjenjem ohladi.
4. Ko akumulatorske baterije ne uporabljate, jo odstranite iz orodja ali polnilnika.
5. Če baterijskega vložka ne uporabljate dalj časa (več kot 6 mesecev), ga napolnite.

## MONTAŽA

**⚠️ OPOZORILO:** Pred izvajanjem kakršnih koli opravil na kosilnici se prepričajte, da sta ključ za zaklep in akumulatorska baterija odstranjena. Če ne odstranite ključa za zaklep in akumulatorske baterije, lahko pride do hudih telesnih poškodb zaradi nenamernega zagona.

**⚠️ OPOZORILO:** Ne zaženite kosilnice, če ni povsem sestavljena. Uporaba delno sestavljenega stroja lahko povzroči hude telesne poškodbe zaradi nenamernega zagona.

## Namestitev ročaja

**OBVESTILO:** Ko nameščate ročaja, nastavite kable tako, da se ne bodo ujeli mednju. Če je kabel poškodovan, stikalo kosilnice morda ne bo delovalo.

1. Odprtine na spodnjem ročaju poravnajte z odprtinami na ohišju kosilnice in nato začasno zategnite 4 vijake.
  - ▶ **SI.1:** 1. Spodnji ročaj 2. Vijak
2. Trdo zategnite 4 vijake, ki ste jih v 1. koraku začasno zategnili z ocesnim ključem 13.
3. Odprtino v spodnjem ročaju poravnajte z odprtino v zgornjem ročaju, nato vstavite vijak z notranje strani, nato pritrdite matico z zunanje strani z ocesnim ključem 13. Postopek ponovite na drugi strani.
  - ▶ **SI.2:** 1. Vijak 2. Spodnji ročaj 3. Matica 4. Odprtina 5. Zgornji ročaj

**⚠️ POZOR:** Trdno držite zgornji ročaj, da vam ne pade iz rok. V nasprotnem primeru lahko ročaj pade in povzroči telesne poškodbe.

4. Pritrdite držali na ročaj. Poravnate izbokline na nosilcu z luknjami na ročaju, tako da se izbokline usedejo v luknje. Kable postavite tako, kot je prikazano na sliki.
  - ▶ **SI.3:** 1. Kabel 2. Držalo

## Odstranjevanje nastavka za zastiranje

1. Odprite zadnji pokrov.
  - ▶ **SI.4:** 1. Zadnji pokrov
2. Odstranite nastavek za zastiranje, pri čemer držite ročico navzdol.
  - ▶ **SI.5:** 1. Ročica 2. Nastavek za zastiranje

## Nameščanje ali odstranjevanje koša za travo

Za namestitev koša za travo upoštevajte spodnje korake.

1. Odprite zadnji pokrov.
  - ▶ **SI.6:** 1. Zadnji pokrov
2. Držite ročaj koša za travo in koš za travo zataknete na drog na ohišju kosilnice, kot je prikazano na sliki.
  - ▶ **SI.7:** 1. Drog 2. Ročaj 3. Koš za travo

Če želite odstraniti koš za travo, odprite zadnji pokrov in odstranite koš za travo, tako da ga držite za ročaj.

## Pritrjevanje nastavka za zastiranje

1. Odprite zadnji pokrov in odstranite koš za travo.
  - ▶ **SI.8:** 1. Zadnji pokrov 2. Koš za travo
2. Namestite nastavek za zastiranje, tako da držite ročico, nato jo spustite, da zaklenete nastavek za zastiranje.
  - ▶ **SI.9:** 1. Ročica 2. Nastavek za zastiranje

## Namestitev priključka za praznjenje

### Za DLM530/DLM532

1. Odprite zadnji pokrov in odstranite koš za travo.  
▶ **Sl.10:** 1. Zadnji pokrov 2. Koš za travo

2. Namestite nastavek za zastiranje, tako da držite ročico, nato jo spustite, da zaklenete nastavek za zastiranje.

▶ **Sl.11:** 1. Ročica 2. Nastavek za zastiranje

3. Odprite desno stran pokrova in namestite priključek za praznjenje.

Vstavite kljuke priključka za praznjenje pod drogom na desni strani pokrova.

▶ **Sl.12:** 1. Desna stran pokrova 2. Priključek za praznjenje

## OPIS DELOVANJA

### Nameščanje ali odstranjevanje akumulatorske baterije

**⚠ POZOR:** Pred nameščanjem ali odstranjevanjem akumulatorske baterije vedno izklopite stroj.

**⚠ POZOR:** Trdno držite stroj in akumulatorsko baterijo, ko nameščate ali odstranjujete akumulatorsko baterijo. Če stroja in akumulatorske baterije ne držite dovolj trdno, vam lahko zdrsneta iz rok in povzročita poškodbe stroja in akumulatorske baterije ali telesne poškodbe.

**⚠ POZOR:** Pokrov akumulatorja morate pred uporabo zapreti. Sicer lahko blato, umazanija ali voda poškoduje izdelek ali akumulatorsko baterijo.

**⚠ POZOR:** Vedno namestite akumulatorsko baterijo tako, da rdeči indikator ni več viden. Če tega ne upoštevate, lahko akumulatorska baterija nepričakovano pade iz stroja in poškoduje vas ali osebe v neposredni bližini.

**⚠ POZOR:** Ne nameščajte akumulatorske baterije s silo. Če se akumulatorska baterija ne zaskoči lahka, ni pravilno vstavljena.

**OPOMBA:** Stroj ne deluje samo z eno akumulatorsko baterijo.

### Za namestitev akumulatorske baterije:

1. Povlecite zaklepno ročico navzgor in nato odprite pokrov akumulatorja.

▶ **Sl.13:** 1. Pokrov akumulatorja 2. Zaklepna ročica

2. Poravnajte jeziček akumulatorske baterije z režo na stroju in nato namestite akumulatorsko baterijo tako, da se sliši zaskoči na mestu.

▶ **Sl.14:** (1) Vhod za akumulatorsko baterijo 1  
(2) Vhod za akumulatorsko baterijo 2  
(3) Akumulatorska baterija

**OPOMBA:** Namestite vsaj 2 akumulatorski bateriji v vhod za akumulatorsko baterijo 1 ali vhod za akumulatorsko baterijo 2.

3. Vstavite ključ za zaklep do omejitela na mesto, prikazano na sliki.

▶ **Sl.15:** 1. Ključ za zaklep

4. Zaprite pokrov akumulatorja in ga potisnite, da se ročica za zaklep zaskoči.

### Če želite odstraniti akumulatorsko baterijo:

1. Povlecite zaklepno ročico navzgor in odprite pokrov akumulatorja.

2. Izvlecite akumulatorsko baterijo iz stroja, pri tem pa pomikajte gumb na sprednji strani akumulatorske baterije.

3. Izvlecite ključ za zaklep.

4. Zaprite zaščitni pokrov akumulatorja.

## Izbira akumulatorskih baterij

▶ **Sl.16:** 1. Stikalo za izbiro baterije

Stroj za delovanje uporablja 2 akumulatorski bateriji hkrati. V stroj lahko namestite do 4 akumulatorske baterije. Pred uporabo stroja, izberite vhod za akumulatorsko baterijo 1 ali vhod za akumulatorsko baterijo 2, tako da zavrtite stikalo za izbiro akumulatorske baterije.

**OPOMBA:** Če sta v stroju nameščeni samo 2 akumulatorski bateriji, se prepričajte, da izberete vhod za akumulatorsko baterijo, kjer sta bateriji nameščeni, tako da uporabite stikalo za izbiro akumulatorske baterije.

## Zaščitni sistem stroja/akumulatorja

Stroj je opremljen s sistemom za zaščito akumulatorja/stroja. Sistem samodejno prekine napajanje stroja, da podaljša življenjsko dobo stroja in akumulatorja. Stroj se samodejno zaustavi, če stroj ali akumulator delujeta pod naslednjimi pogoji:

### Zaščita pred preobremenitvijo

Če akumulator uporabljate tako, da povzroča čezmerno uporabo električnega toka, se stroj samodejno ustavi, lučka za vklop/izklop pa utripa zeleno. V tem primeru izklopite stroj in prekinite delo, ki je povzročilo njegovo preobremenitev. Nato vklopite stroj, da ga znova zaženete.

### Zaščita pred pregrevanjem

Če je stroj ali akumulator pregret, se orodje samodejno ustavi in lučka za vklop/izklop zasveti rdeče. V tem primeru počakajte, da se orodje in akumulator ohladita, preden znova vklopite stroj.

### Zaščita pred izpraznjenjem

















Če zmogljivost baterije ni zadostna, se stroj samodejno ustavi in lučka za vklop/izklop utripa rdeče. V tem primeru odstranite akumulator iz orodja in napolnite akumulatorske baterije ali zamenjajte akumulatorske baterije s povsem napolnjenimi.

## Prikazuje preostalo raven napolnjenosti akumulatorja

**Samo za akumulatorske baterije z indikatorjem**

► **Sl.17:** 1. Indikatorske lučke 2. Gumb za preverjanje

Pritisnite gumb za preverjanje na baterijskem vzloku, da preverite raven napolnjenosti akumulatorja. Indikatorske lučke na kratko zasvetijo.

Indikatorske lučke			Prikaz preostale ravni napolnjenosti
 Sveti	 Ne sveti	 Utripa	
			od 75 % do 100 %
			od 50 % do 75 %
			od 25 % do 50 %
			od 0 % do 25 %
			Napolnite akumulator.
 	 		Akumulator je morda okvarjen.

**OPOMBA:** Odvisno od pogojev uporabe in okoljske temperature se označba lahko nekoliko razlikuje od dejanske napolnjenosti.

## Nadzorna plošča

Na nadzorni plošči najdete glavno stikalo za vklop/izklop, gumb za spremembo načina in indikator preostale zmogljivosti baterije.

► **Sl.18:** 1. Indikator akumulatorja 2. Lučka za preklop načina 3. Glavna lučka za vklop/izklop 4. Gumb za preverjanje 5. Gumb za preklop načina 6. Glavno stikalo za vklop/izklop

## Glavno stikalo za vklop/izklop

**⚠ OPOZORILO:** Vedno izklopite glavno stikalo za vklop/izklop, ko orodja ne uporabljate.

Za vklop stroja pritisnite glavno stikalo za vklop/izklop. Glavna lučka za vklop/izklop zasveti zeleno. Za izklop stroja znova pritisnite glavno stikalo za vklop/izklop.

**OPOMBA:** Če lučka za vklop/izklop zasveti rdeče ali utripa rdeče ali zeleno, glejte navodila za stroj/sistem za zaščito akumulatorja.






**OPOMBA:** Ta stroj uporablja funkcijo samodejnega izklopa. Če je glavno stikalo v položaju za vklop ter preklopne ročice in pogonske ročice (če je del opreme) ne povlečete nekaj časa, se glavno stikalo samodejno izklopi, da prepreči nenamerni zagon.

## Gumb za preklop načina

Način delovanja lahko preklopite tako, da pritisnete gumb za preklop načina. Ko vklopite stroj, se zažene v običajnem načinu. Ko pritisnete gumb za preklop načina, stroj preklopi v način za zmanjševanje hrupa in lučka za preklop načina zasveti zeleno. V načinu za zmanjševanje hrupa lahko zmanjšate količino hrupa med košnjo. Ko znova pritisnete gumb za preklop načina, se stroj vrne v običajni način.

## Prikazuje preostalo raven napolnjenosti akumulatorja

Pritisnite gumb za preverjanje, da preverite raven napolnjenosti akumulatorja. Indikatorji akumulatorja ustrezajo vsakemu akumulatorju.

Indikator ravni napolnjenosti akumulatorja		Prikaz preostale ravni napolnjenosti akumulatorja
 Sveti	 Ne sveti	
		od 50 % do 100 %
		od 20 % do 50 %
		od 0 % do 20 %

**OPOMBA:** Opozorilne lučke za prikaz preostanka zmogljivosti baterije so le informativne narave. Dejanska zmogljivost baterije se lahko razlikuje glede na pogoje uporabe.

**OPOMBA:** Preden pritisnete gumb za preverjanje, da preverite raven napolnjenosti akumulatorja, ustavite stroj.

## Delovanje stikala

**⚠ OPOZORILO:** Preden namestite akumulatorsko baterijo, se vedno prepričajte, ali se preklopna ročica ustrezno sproži in vrača v prvotni položaj, ko jo spustite. Uporaba stroja s stikalom, ki se ne sproži pravilno, lahko privede do izgube nadzora in resnih telesnih poškodb.

**OPOMBA:** Kosilnica se ne zažene, če ne pritisnete preklopnega gumba, tudi če je preklopna ročica povlečena.

**OPOMBA:** Kosilnica se pri košnji dolge ali goste trate zaradi preobremenjenosti morda ne bo zagnala. V tem primeru povečajte višino košnje.

Ta kosilnica je opremljena s ključem za zaklep in ročnim stikalom. Če opazite kar koli nenavadnega pri ključu za zaklep ali stikalu, takoj prenehajte uporabljati kosilnico, ključ za zaklep in stikalo pa mora pregledati pooblaščen serviser izdelkov Makita.

## Za DLM462/DLM532

1. Vstavite akumulatorski bateriji. Vstavite ključ za zaklep ter zaprite pokrov akumulatorja.
2. S stikalom za izbiro baterije izberite akumulatorsko baterijo, ki jo želite uporabiti.
3. Pritisnite glavno stikalo za vklop/izklop.
4. Povlecite preklopno ročico proti sebi, medtem pa pritisnite preklopni gumb. Spustite preklopni gumb, takoj ko se motor zažene.  
► **SI.19:** 1. Preklopni gumb 2. Preklopna ročica

**OPOMBA:** Če ključ za zaklep ni vstavljen, lučka za vklop/izklop utripa zeleno, ko povlečete preklopno ročico.

5. Ko držite preklopno ročico, potisnite pogonsko ročico naprej in jo združite za pogon zadnjih koles.  
► **SI.20:** 1. Pogonska ročica

**OPOMBA:** Če želite poganjati zadnja kolesa, pritisnite pogonsko ročico naprej in jo držite, ne da bi potegnili preklopno ročico.

6. Sprostite pogonsko ročico in preklopno ročico, da stroj ustavi.

## Za DLM530

1. Vstavite akumulatorski bateriji. Vstavite ključ za zaklep ter zaprite pokrov akumulatorja.
2. S stikalom za izbiro baterije izberite akumulatorsko baterijo, ki jo želite uporabiti.
3. Pritisnite glavno stikalo za vklop/izklop.
4. Povlecite preklopno ročico proti sebi, medtem pa pritisnite preklopni gumb. Spustite preklopni gumb, takoj ko se motor zažene.  
► **SI.21:** 1. Preklopni gumb 2. Preklopna ročica

**OPOMBA:** Če ključ za zaklep ni vstavljen, lučka za vklop/izklop utripa zeleno, ko povlečete preklopno ročico.

5. Če želite zaustaviti motor, spustite preklopno ročico.

## Prilagoditev višine košnje

**⚠ OPOZORILO:** Kadar nastavljate višino košnje, ne segajte z rokami ali nogami pod ohišje kosilnice.

**⚠ OPOZORILO:** Pred uporabo se vedno pripravite, ali se ročica ustrezno prilaga v utor.

Višino košnje lahko prilagodite v razponu od 20 mm do 100 mm.

Odstranite ključ za zaklep in nato povlecite ročico za prilagoditev višine košnje navzven iz ohišja kosilnice ter jo premaknite na zeleno višino košnje.

- **SI.22:** 1. Ročica za prilagoditev višine košnje

V spodnji tabeli lahko vidite razmerje med številko na ohišju kosilnice in približno višino košnje.

Številka	Višina košnje
1	20 mm
2	26 mm
3	32 mm
4	39 mm
5	47 mm
6	55 mm
7	63 mm
8	74 mm
9	86 mm
10	100 mm

Držite sprednje držalo in spodnji roča z eno roko in z drugo roko premaknite ročico za prilagoditev višine košnje.

- **SI.23:** 1. Ročica za prilagoditev višine košnje 2. Spodnji ročaj 3. Sprednje držalo

**OPOMBA:** Oznake za višino košnje so namenjene zgolj kot smernice. Dejanska višina košnje se lahko nekoliko razlikuje od nastavljenega, odvisno od pogojev travnate ali talne površine.

**OPOMBA:** Najprej preizkusite zeleno višino košnje trave na manj vidnem mestu.

## Indikator količine trave

Indikator količine trave prikazuje količino pokošene trave. Dokler koš za travo ni poln, indikator med košnjo niha, medtem ko se rezila premikajo.

- **SI.24:** 1. Indikator količine trave

Ko je koš za travo skoraj poln, indikator med košnjo ne niha, medtem ko se rezila premikajo. V tem primeru takoj prenehajte z uporabo in izpraznite koš.

- **SI.25:** 1. Indikator količine trave

**OPOMBA:** Ta indikator je samo okvirno vodilo. Ta indikator morda ne bo pravilno deloval, odvisno od pogojev znotraj koša.

## Prilagoditev višine ročaja

**⚠ POZOR:** Preden odstranite vijake, trdno primate zgornji ročaj. V nasprotnem primeru lahko ročaj pade in povzroči telesne poškodbe.

Višino ročaja lahko prilagodite na dve stopnji.

1. Odstranite zgornje vijake na spodnji ročici z očesnim ključem 13 in potem zrahljajte spodnje vijake.  
► **SI.26:** 1. Zgornji vijak 2. Spodnji vijak
2. Prilagodite višino ročaja in nato trdno zategnite zgornje in spodnje vijake.

## Prilagoditev hitrosti

### Za DLM462/DLM532

- **SI.27:** 1. Ročica za hitrost

Hitrost lahko prilagodite z ročico za hitrost. Če želite zmanjšati hitrost, povlecite ročico k sebi, če želite pospešiti, potisnite ročico naprej.

## Uporaba nastavka za zastiranje

Nastavek za zastiranje omogoča zastiranje tal s pokošeno travo, pri čemer se pokošena trava ne zbira v košu za travo. Ko uporabljate stroj z nastavkom za zastiranje, morate odstraniti koš za travo.

**OBVESTILO:** Ko uporabljate stroj z nastavkom za zastiranje, mora biti trava po košnji visoka 30 mm ali več, višina reza pa je nastavljena na 15 mm ali manj.

► **SI.28:** (1) 30 mm ali več (2) 15 mm ali manj

## Uporaba priključka za praznjenje

### Za DLM530/DLM532

Priključek za praznjenje omogoča praznjenje pokošene trave na tla z desne strani naprave, pri tem pa se pokošena trava ne zbira v košu za travo. Ko uporabljate napravo s priključkom za praznjenje, morate namestiti nastavke za zastiranje in odstraniti koš za travo.

## Elektronska funkcija

Stroj je opremljen z elektronskimi funkcijami za enostavno delovanje.

- Stalno nadziranje hitrosti vrtenja rezil  
Elektronski nadzor hitrosti za stalno število vrtljajev. Možnost fine končne obdelave, saj je hitrost vrtenja stalna tudi med obremenitvijo.
- Mehki zagon pri vožnji  
Funkcija mehkega zagona zmanjša sunek ob zagonu in omogoči gladek zagon stroja.
- Električna zavora  
Stroj je opremljen z električno zavoro. Če se stroj rezil kosilnice ne ustavi hitro, po tem ko sprostite preklapno ročico, naj stroj pregleda pooblaščen servisier izdelkov Makita.

## UPRAVLJANJE

### Košnja

**⚠ OPOZORILO:** Pred košnjo z območja košnje odstranite palice in kamne. Z območja košnje odstranite tudi ves plevel.

**⚠ OPOZORILO:** Med uporabo kosilnice vedno nosite zaščitna očala s stransko zaščito.

**⚠ POZOR:** Če odrezana trava ali tujek povzroči blokado v notranjosti kosilnice, pred odstranjevanjem trave ali tujka odstranite ključ za zaklep in akumulatorsko baterijo, pri čemer morate nositi rokavice.

**OBVESTILO:** To napravo uporabljajte le za košnjo trave. S to napravo ne kosite plevla.

► **SI.29**

Med košnjo trdno držite ročaj z obema rokama. Hitrost košnje je približno od 7 do 14 metrov na 10 sekund.

► **SI.30**

Sredinski črti sprednjih koles določata širino košnje. Med košnjo uporabljajte sredinski črti kot vodilo in kosite v pasovih. Kosite tako, da vsak naslednji pas prekriva polovico ali tretjino prejšnjega. Tako bo trava pokošena enakomerno.

► **SI.31:** 1. Širina košnje 2. Prekrivajoče se območje 3. Sredinska črta

Vsakič spremenite smer košnje, da ne bo vzorec pokošene trave nastajal samo v eni smeri.

► **SI.32**

Redno preverjajte napolnjenost koša za travo. Koš izpraznite, še preden se napolni. Pred vsakim rednim preverjanjem zaustavite kosilnico ter odstranite ključ za zaklep in akumulatorsko baterijo.

**OBVESTILO:** Uporaba kosilnice s polnim košem za travo preprečuje gladko vrtenje rezila in pomeni dodatno obremenitev motorja, kar lahko povzroči okvaro.

## Košnja visoke trave

Ne poskušajte rezati visoke trave v enem kosu. Namesto tega kosite travo po korakih. Počakajte dan ali dva med posameznimi košnjami, da se trava enakomerno skrajša.

► **SI.33**

**OPOMBA:** S košnjo dolge trave na krajšo dolžino v enem kosu lahko uničite travo. Poleg tega se lahko pokošena trava zagozdi v ohišju kosilnice.

## Praznjenje koša za travo

**⚠ OPOZORILO:** Da zmanjšanje možnost nezgode, redno pregledujte koš za travo glede poškodb in obrabe. Koš za travo po potrebi zamenjajte.

1. Sprostite preklapno ročico in pogonsko ročico (za DLM462/DLM532) ali sprostite preklapno ročico (za DLM530).

2. Odstranite ključ za zaklep.

3. Odprite zadnji pokrov in izvlecite koš za travo, tako da ga držite za ročaj.

► **SI.34:** 1. Zadnji pokrov 2. Ročaj 3. Koš za travo

4. Izpraznite koš za travo.

## VZDRŽEVANJE

**⚠ OPOZORILO:** Pred shranjevanjem, prenašanjem, pregledovanjem ali vzdrževanjem se vedno prepričajte, da sta ključ za zaklep in akumulatorska baterija odstranjena s kosilnice.

**⚠ OPOZORILO:** Kadar kosilnice ne uporabljate, vedno odstranite ključ za zaklep. Ključ za zaklep hranite na varnem mestu in izven dosega otrok.

**⚠ OPOZORILO:** Med pregledovanjem ali vzdrževanjem uporabljajte rokavice.

**⚠ OPOZORILO:** Med pregledom ali vzdrževanjem vedno nosite navadna zaščitna očala ali zaščitna očala s stransko zaščito.

**OBVESTILO:** Nikoli ne uporabljajte bencina, razredčila, alkohola ali podobnega sredstva. V tem primeru se lahko orodje razbarva ali deformira oziroma lahko nastanejo razpoke.

VARNO in ZANESLJIVO delovanje tega izdelka bo zagotovljeno le, če boste popravila, vzdrževanje in nastavitve prepustili pooblaščenemu servisu za orodja Makita ali tovarniškemu osebju, ki vgrajuje izključno originalne nadomestne dele.

## Vzdrževanje

1. Odstranite ključ za zaklep in akumulatorske baterije ter zaprite pokrov akumulatorja.
2. Kosilnico položite na bok, tako da bo ročica za prilagoditev višine košnje na zgornji strani. Očistite odrezke trave, ki se naberejo na spodnji strani kosilnice.
3. Vodo nalijte proti spodnjemu delu stroja, na katerem je nameščeno rezilo.

**OBVESTILO:** Stroja ne perite z vodo pod visokim tlakom.

4. Preverite, ali so vse matice, vijaki, gumbi, itd. zategnjeni.
5. Preverite, ali so premični deli poškodovani, zlomljeni oziroma obrabljeni. Zamenjajte vse poškodovane ali manjkajoče dele.
6. Kosilnico hranite na varnem mestu, izven dosega otrok.

Za DLM462/DLM532

**OBVESTILO:** Vode ne zlivajte v del, ki je prikazan na sliki. Zlivanje vode v enoto motorja, lahko povzroči okvare stroja.

- **SI.35:** 1. Del, kamor ne smete naliti vode

## Prenašanje kosilnice

Pri prenašanju kosilnice naj dve osebi pridržita sprednje držalo in zadnji ročaj, kot je prikazano na sliki.

- **SI.36:** 1. Sprednje držalo 2. Zadnji ročaj

## Shranjevanje

Kosilnico hranite v hladnem, suhem in zaprtem prostoru. Ne shranjujte kosilnice in polnilnika na mestih, kjer lahko temperatura doseže ali preseže 40 °C.

## Odstranjevanje ali nameščanje rezila kosilnice

**⚠ OPOZORILO:** Rezilo deluje v prostem teku še nekaj sekund po sprostitvi stikala. Počakajte, da se rezilo povsem ustavi.

**⚠ OPOZORILO:** Kadar odstranjujete ali nameščate rezilo, vedno izvlecite ključ za zaklep in akumulatorsko baterijo. Če ne izvlečete ključa za zaklep in akumulatorske baterije, lahko pride do hudih telesnih poškodb.

**⚠ OPOZORILO:** Kadar rokujete z rezilom, vedno nosite rokavice.

## Odstranjevanje rezila kosilnice

### Pri modelih, opremljenih z ravnim rezilom kosilnice

1. Kosilnico položite na bok, tako da bo ročica za prilagoditev višine košnje na zgornji strani.
2. Rezilo zaklenete tako, da v odprtino ohišja kosilnice vstavite zatič.
3. Z očesnim ključem 17 odvijte vijak v nasprotni smeri urnega kazalca.  
► **SI.37:** 1. Rezilo kosilnice 2. Zatič 3. Očesni ključ
4. Odstranite vijak in nato odstranite rezilo kosilnice.  
► **SI.38:** 1. Nastavek za rezilo 2. Rezilo kosilnice 3. Vijak 4. Izboklina

**OBVESTILO:** Ko nameščate rezilo kosilnice, se prepričajte, da se izbokline na nastavku za rezilo prilegajo luknjam na rezilu kosilnice.

### Pri modelih, opremljenih s povratnim rezilom kosilnice

1. Kosilnico položite na bok, tako da bo ročica za prilagoditev višine košnje na zgornji strani.
2. Osnovno ploščo zaklenete tako, da zatič vstavite v luknjo na ohišju kosilnice skozi luknjo na osnovni plošči.
3. Z očesnim ključem 17 odvijte vijak v nasprotni smeri urnega kazalca.  
► **SI.39:** 1. Zatič 2. Osnovna plošča 3. Očesni ključ
4. Odstranite vijak in nato odstranite osnovno ploščo.  
► **SI.40:** 1. Nastavek za rezilo 2. Osnovna plošča 3. Vijak 4. Izboklina

**OBVESTILO:** Ko nameščate rezila kosilnice, se prepričajte, da se izbokline na nastavku za rezilo prilegajo luknjam na osnovni plošči.

5. Za odstranjevanje posameznega rezila kosilnice vijak obrnite v nasprotni smeri urnega kazalca z očesnim ključem 17, pri čemer držite osnovno ploščo.  
► **SI.41:** 1. Osnovna plošča 2. Rezilo kosilnice 3. Očesni ključ
6. Odstranite matico, podložko, vzmetno podložko, rezilo kosilnice in vijak v tem vrstnem redu.  
► **SI.42:** 1. Odprtina za vijake 2. Vijak 3. Rezilo kosilnice 4. Vzmetna podložka 5. Podložka 6. Matica

**OBVESTILO:** Ko zategnete matico za nameščanje posameznih rezil kosilnice, uporabite 30 N•m zateznega navora.

**OBVESTILO:** Ko nastavljate posamezna rezila kosilnice, se prepričajte, da ste pritrtili vzmetno podložko v smeri, ki je prikazana na sliki.

**OBVESTILO:** Ko nastavljate posamezna rezila kosilnice, se prepričajte, da ste vstavil vijake v luknje za vijake, ki so prikazane na sliki.

## Namestitev rezila kosilnice

**⚠ OPOZORILO:** Pri nameščanju rezila kosilnice bodite previdni. Njegova zgornja in spodnja stran se razlikujeta.

**⚠ OPOZORILO:** Nato zategnite vijak v smeri urinega kazalca, da pritrdite rezilo.

**⚠ OPOZORILO:** Preverite, ali so rezilo kosilnice in vsi pritrdilni deli pravilno nameščeni in trdno pritrdjeni.

**⚠ OPOZORILO:** Pri zamenjavi rezil vedno upoštevajte navodila v tem priročniku.

**OBVESTILO:** Ko namestite rezila kosilnice, odstranite zatič iz ohišja kosilnice.

Nova rezila kosilnice namestite v obratnem vrstnem redu.

## ODPRAVLJANJE TEŽAV

Preden zahtevate popravilo, sami preglejte stroj. Če naletite na težavo, ki ni pojasnjena v navodilih, ne poskušajte razstavljati stroja. Namesto tega se obrnite na pooblaščen servis Makita. Pri popravilih vedno uporabljajte nadomestne dele Makita.

Neobičajno stanje	Možni vzroki (okvare)	Ukrep
Kosilnica se ne zažene.	Akumulatorski bateriji nista nameščeni.	Namestite dve napolnjeni akumulatorski bateriji.
	Težava z akumulatorjem (padeč napetosti)	Znova napolnite akumulatorsko baterijo. Če z vnovičnim polnjenjem ne odpravite težave, zamenjajte akumulatorsko baterijo.
	Ključ za zaklep ni vstavljen.	Vstavite ključ za zaklep.
	Stikalo za izbiro akumulatorske baterije ni v pravilnem položaju.	S stikalom za izbiro baterije izberite vhod za akumulatorsko baterijo, v katerega so nameščene akumulatorske baterije.
Motor se zaustavi po kratkem času uporabe kosilnice.	Raven napoljenosti akumulatorja je nizka.	Znova napolnite akumulatorsko baterijo. Če z vnovičnim polnjenjem ne odpravite težave, zamenjajte akumulatorsko baterijo.
	Višina rezanja je premajhna.	Povečajte višino rezanja.
	Pokošena trava je zamašila kosilnico.	Pokošeno travo odstranite iz kosilnice.
Motor ne doseže največje hitrosti.	Akumulatorska baterija ni pravilno nameščena.	Namestite akumulatorsko baterijo, kot je opisano v tem priročniku.
	Zmogljivost akumulatorja se zmanjšuje.	Znova napolnite akumulatorsko baterijo. Če z vnovičnim polnjenjem ne odpravite težave, zamenjajte akumulatorsko baterijo.
	Pogonski sistem ne deluje pravilno.	Za popravilo se obrnite na lokalni pooblaščen servisni center.
Rezilo kosilnice se ne vrti: ⇒ takoj zaustavite kosilnico!	V območju rezila je zagozden tujek, na primer veja.	Odstranite tujek.
	Pogonski sistem ne deluje pravilno.	Za popravilo se obrnite na lokalni pooblaščen servisni center.
Neobičajno vibriranje: ⇒ takoj zaustavite kosilnico!	Rezilo ni uravnoteženo ali prekomerno/ neenakomerno obrabljeno.	Zamenjajte rezilo.

## DODATNA OPREMA

**⚠ POZOR:** Ta dodatna oprema ali priključki so predvideni za uporabo s strojem Makita, opisanim v teh navodilih za uporabo. Pri uporabi druge dodatne opreme ali nastavkov lahko pride do telesnih poškodb. Dodatno opremo ali nastavke uporabljajte le v skladu z njihovim namenom.

- Rezilo kosilnice
- Originalna akumulator in polnilnik Makita

**OPOMBA:** Nekateri predmeti na seznamu so lahko izdelku priloženi kot standardna dodatna oprema. Lahko se razlikujejo od države do države.

Za več informacij o dodatni opremi se obrnite na najbližji pooblaščen servis za orodja Makita.



## SPECIFIKIMET

Modeli:		DLM462	DLM530	DLM532
Gjerësia e kositëses (diametri i diskut)		460 mm	534 mm	
Shpejtësia pa ngarkesë		2 500 min <sup>-1</sup>	2 300 min <sup>-1</sup>	
Shpejtësia maksimale		3 300 min <sup>-1</sup>	2 800 min <sup>-1</sup>	
Numri i pjesës së fletës rezervë të kositëses	Fleta e drejtë e kositëses	191D51-9	191D52-7	
	Fletët e kositëses me kthim pas *1	191D49-6	191D50-1	
	Fletët e kositëses me kthim pas *2	191D47-0	191D48-8	
Përmasat (GJ x T x L)		GJ: 1 610 mm deri 1 690 mm T: 535 mm L: 980 mm deri 1 095 mm	GJ: 1 630 mm deri 1 715 mm T: 590 mm L: 990 mm deri 1 095 mm	
Shpejtësia e udhëtimit		2,5 - 5,0 km/orë	–	2,5 - 5,0 km/orë
Tensioni nominal		D.C. 36 V		
Pesha neto	Kur instalohet fleta e drejtë e kositëses	35,3 - 39,0 kg	35,5 - 39,3 kg	39,0 - 42,8 kg
	Kur instalohen fletët e kositëses me kthim pas	36,0 - 39,7 kg	36,2 - 40,0 kg	39,7 - 43,5 kg
Shkalla e mbrojtjes		IPX4		

\*1. Pllaka e bazës dhe fletët individuale të kositëses.

\*2. Vetëm fletët individuale të kositëses.

- Për shkak të programit tonë të vazhdueshëm të kërkim-zhvillimit, specifikimet që jepen këtu mund të ndryshojnë pa dhënë njoftim.
- Specifikimet mund të ndryshojnë nga njëri shtet në tjetrin.
- Pesha mund të ndryshojë në varësi të aksesorit(ëve), përfshirë kutinë e baterisë. Kombinimi më i lehtë dhe më i rëndë, sipas Procedurës EPTA 01/2014, tregohet në tabelë.

### Kutia e aplikueshme e baterisë

BL1815N / BL1820 / BL1820B / BL1830 / BL1830B / BL1840 / BL1840B / BL1850 / BL1850B / BL1860B

- Disa prej kutive të baterive të renditura më lart mund të mos jenë të disponueshme në varësi të zonës ku ju banoni.

**⚠ PARALAJMËRIM:** Përdorni vetëm kutitë e baterisë të listuara më lart. Përdorimi i kutive të tjera të baterisë mund të shkaktojë lëndim dhe/ose zjarr.

**⚠ PARALAJMËRIM:** Mos përdorni furnizim me energji me kordon si p.sh. përshtatës baterie ose paketë elektrike portative me këtë makineri. Kabloja e këtij furnizimi me energji mund të pengojë punën dhe të rezultojë në lëndime personale.

## Simbolet

Pjesët në vazhdim tregojnë simbolet që mund të përdoren për pajisjen. Sigurohuni që merrni vesh kuptimin e tyre përpara përdorimit.



Tregoni kujdes dhe vëmendje të veçantë.



Lexoni manualin e përdorimit.



Rrezik; kini kujdes nga objektet e hedhura.



Distanca ndërmjet veglës dhe personave që qëndrojnë aty pranë duhet të jetë të paktën 15 m.



Mos i vendosni kurrë këmbët dhe duart pranë diskut nën kositëse. Disqet vazhdojnë të rrotullohen pasi motori të jetë fikur.



Hiqni çelësin e bllokimit përpara se të kontrolloni, rregulloni, pastroni, të kryeni shërbime, ta magazinoni kositësen dhe ta ruani atë.



Rrezik elektrik. Kontakti me ujin mund të shkaktojë goditje elektrike.



Mos derdhni ujë.



Ni-MH  
Li-ion

Vetëm për shtetet e BE-së  
Mos i hidhni pajisjet elektrike ose paketën e baterisë së bashku me mbeturinat e shtëpisë!  
Në përputhje me Direktivën Evropiane për mbetjet nga pajisjet elektrike dhe elektronike, për bateritë dhe akumulatorët dhe mbetjet nga bateritë dhe akumulatorët dhe implementimin e tyre në përputhje me legjislacionin kombëtar, pajisjet elektrike, bateritë dhe paketën(at) e baterisë që kanë arritur fundin e jetëgjatësisë së tyre duhet të mblidhen veçmas dhe të dorëzohen në një objekt riciklimi që nuk dëmton mjedisin.

## Përdorimi i synuar

Makineria është synuar për kositjen e barit.

## Zhurma

Niveli tipik i zhurmës A, i matur sipas EN60335-2-77:

**SHËNIM:** Vlerat janë matur me kositësen të pajisur me fletën e drejtë të kositëses.

### Modeli DLM462

Niveli i presionit të zhurmës ( $L_{pA}$ ): 82,7 dB (A)

Niveli i fuqisë së zhurmës ( $L_{WA}$ ): 90,9 dB (A)

Pasiguria (K): 3 dB (A)

### Modeli DLM530

Niveli i presionit të zhurmës ( $L_{pA}$ ): 78,1 dB (A)

Niveli i fuqisë së zhurmës ( $L_{WA}$ ): 90,4 dB (A)

Pasiguria (K): 3 dB (A)

### Modeli DLM532

Niveli i presionit të zhurmës ( $L_{pA}$ ): 78,1 dB (A)

Niveli i fuqisë së zhurmës ( $L_{WA}$ ): 90,4 dB (A)

Pasiguria (K): 3 dB (A)

Niveli i zhurmës mund të tejkalojë 80 dB (A).

**SHËNIM:** Vlerat e deklaruar totale të emetimeve të zhurmës janë matur sipas një metode standarde testimi dhe mund të përdoren për të krahasuar një vegël me një tjetër.

**SHËNIM:** Vlerat e deklaruar të emetimeve të zhurmës mund të përdoren për një vlerësim paraprak të ekspozimit.

**PARALAJMËRIM:** Mbani mbrojtëse për veshët.

**PARALAJMËRIM:** Emetimet e zhurmës gjatë përdorimit aktual të veglës elektrike mund të ndryshojnë nga vlerat e deklaruar në varësi të mënyrave sesi përdoret vegla, veçanërisht nga lloji i materialit të punës që përdoret.

**PARALAJMËRIM:** Vërtetoni që masat e sigurisë për mbrojtjen e përdoruesit bazohen në vlerësimin e ekspozimit ndaj kushteve aktuale të përdorimit (duke marrë parasysh të gjitha pjesët e ciklit të funksionimit si ato kur pajisja është e fikur dhe punon pa prerë ashtu edhe kohën e përdorimit).

## Dridhja

Vlera totale e dridhjeve (shuma e vektorit me tre akse) përcaktohet sipas EN60335-2-77:

**SHËNIM:** Vlerat janë matur me kositësen të pajisur me fletën e drejtë të kositëses.

### Modeli DLM462

Emetimi i dridhjeve ( $a_h$ ): 2,5 m/s<sup>2</sup> ose më pak  
Pasiguria (K): 1,5 m/s<sup>2</sup>

### Modeli DLM530

Emetimi i dridhjeve ( $a_h$ ): 2,5 m/s<sup>2</sup> ose më pak  
Pasiguria (K): 1,5 m/s<sup>2</sup>

### Modeli DLM532

Emetimi i dridhjeve ( $a_h$ ): 2,5 m/s<sup>2</sup> ose më pak  
Pasiguria (K): 1,5 m/s<sup>2</sup>

**SHËNIM:** Vlerat e deklaruar totale të dridhjeve janë matur sipas një metode standarde testimi dhe mund të përdoren për të krahasuar një vegël me një tjetër.

**SHËNIM:** Vlerat e deklaruar totale të dridhjeve mund të përdoren për një vlerësim paraprak të ekspozimit.

**PARALAJMËRIM:** Emetimet e dridhjeve gjatë përdorimit aktual të veglës elektrike mund të ndryshojnë nga vlerat e deklaruar në varësi të mënyrave sesi përdoret vegla, veçanërisht nga lloji i materialit të punës që përdoret.

**PARALAJMËRIM:** Vërtetoni që masat e sigurisë për mbrojtjen e përdoruesit bazohen në vlerësimin e ekspozimit ndaj kushteve aktuale të përdorimit (duke marrë parasysh të gjitha pjesët e ciklit të funksionimit si ato kur pajisja është e fikur dhe punon pa prerë ashtu edhe kohën e përdorimit).

## Deklarata e konformitetit me KE-në

### Vetëm për shtetet evropiane

Deklarata e konformitetit me KE-në përfshihet si Shtojca A në këtë manual përdorimi.

## PARALAJMËRIME SIGURIE

### UDHËZIME TË RËNDËSISHME PËR SIGURINË

**PARALAJMËRIM:** Lexoni të gjitha paralajmërimet dhe udhëzimet për sigurinë. Mosndjekja e paralajmërimeve dhe udhëzimeve mund të rezultojë në goditje elektrike, zjarr dhe/ose lëndim serioz.

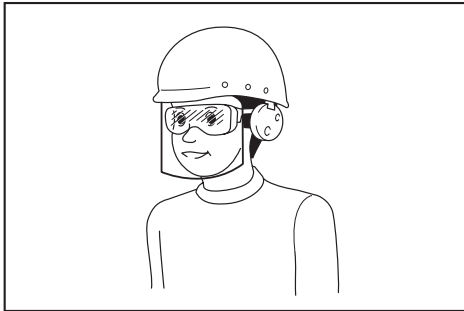
## Ruajini të gjitha paralajmërimet dhe udhëzimet për të ardhmen.

### Trajnim

1. Lexojini udhëzimet me kujdes. Njihuni me komandat dhe përdorimin e duhur të kositëses.
2. Mos i lejoni kurrë fëmijët ose personat që nuk i njohin këto udhëzime të përdorin kositësen. Rregullat vendore mund të kufizojnë moshën e përdoruesit.
3. Mos e përdorni kurrë kositësen nëse ka njerëz pranë, sidomos fëmijë apo kafshë shtëpiake.
4. Kini parasysh se përdoruesi është përgjegjës për aksidentet ose rreziqet që mund t'u ndodhin personave të tjerë ose pronës së tyre.
5. Fëmijët duhet të mbikëqyrin për t'u siguruar se nuk luajnë me kositësen.
6. Gjendja fizike – Mos e përdorni kositësen kur jeni nën ndikimin e drogës, alkoolit ose ndonjë medikamenti.

## Përgatitja

1. Gjatë përdorimit të kositëses vishni gjithmonë këpucë të forta dhe pantallona të gjata. Mos e përdorni kositësen kur jeni zbatuar apo kur keni veshur sandale të hapura. Shmangni veshjen e rrobave të gjera ose mbajtjen e bizhuterive që kanë kordonë ose fiqe që varen. Ato mund të ngecin në pjesët lëvizëse.
2. Përpara përdorimit, gjithmonë inspektoni kositësen për mbrojtëse të dëmtuara, që mungojnë ose që janë të vendosura gabimisht.
3. Sigurohuni që në zonë të mos ketë njerëz të tjerë përpara se të nisni kositjen. Fikeni kositësen nëse ndokush afrohet në zonë.
4. Mos e futni çelësin e bllokimit në kositëse derisa ajo të jetë gati për t'u përdorur.
5. Gjithmonë mbani veshje mbrojtëse për të mbrojtur sytë nga lëndimi kur përdorni veglat elektrike. Syzet mbrojtëse duhet të jenë në pajtim me ANSI Z87.1 në SHBA, EN 166 në Evropë ose AS/NZS 1336 në Australi/Zelandën e Re. Në Australi/Zelandën e Re, ligji kërkon që të mbahet gjithashtu edhe një mbrojtëse fytyre për të mbrojtur fytyrën.



- Është përgjegjësi e punëdhënësit të detyrojë përdorimin e pajisjeve të duhura mbrojtëse për sigurinë nga punëtorët dhe nga personat e tjerë që ndodhen pranë ambienteve të punës.
6. Përpara përdorimit kontrolloni me kujdes fletët ose bulonat e fletëve për krisje ose dëmtime. Zëvendësoni menjëherë fletët ose bulonat e fletëve të krisura ose të dëmtuara.
  7. Hiqni materialet e huaja si gurët, telat, shishet, kockat dhe shkopinjët e mëdhenj nga zona e punës përpara se të nisni kositjen për të parandaluar lëndimin personal ose dëmtimin e kositëses.
  8. Objektet që goditen nga disku i kositëses mund të shkaktojnë lëndime të rënda ndaj personave. Duhet të ekzaminoni gjithmonë me kujdes oborrin dhe të hiqni të gjitha objektet përpara se të kositni barin.
  9. Shikoni për gropa, vija, gunga, gurë ose objekte të tjera të fshehura. Terreni i paniveluar mund të shkaktojë aksident rrëshqitjeje dhe rrëzimi. Bari i lartë mund të fshehë pengesa.
  10. Mos e fusni ose hiqni çelësin e bllokimit në shi.

11. Përdorni pajisje mbrojtëse personale. Mbani gjithmonë mbrojtëse për sytë. Pajisjet mbrojtëse, si maska kundër pluhurit, këpucët e sigurisë kundër rrëshqitjes, kaskat e forta ose mbrojtëset ndaj zhurmës të përdorura për kushtet e duhura reduktojnë lëndimet personale.

## Përdorimi

1. Mos u zgjatni më shumë seç duhet. Mbani në çdo moment ruani ekuilibrin. Siguroni mbështetje të mirë të këmbëve në zona të pjerrëta. Ecni, mos vraponi asnjëherë.
2. Ndalojeni kositësen dhe hiqni çelësin e bllokimit dhe sigurohuni që të gjitha pjesët lëvizëse të kenë ndaluar plotësisht:
  - sa herë që lini kositësen vetëm,
  - përpara se të pastroni bllokimet apo të zhbllokoni marmitën,
  - përpara se të kontrolloni, pastroni ose të punoni me kositësen,
  - pasi keni goditur objekte të huaja. Inspektoni kositësen për dëmtime dhe bëni riparime përpara se ta rindizni dhe ta përdorni,
  - kur kositësja fillon të dridhet në mënyrë jonormale.
3. Mos e përdorni kurrë kositësen me mbrojtëse me defekt ose pa montuar në vendin e duhur pajisje sigurie, për shembull pajisjet shmangëse dhe/ose koshin e barit.
4. Shmangni përdorimin e kositëses në kushte të këqija atmosferike, veçanërisht kur ka rrezik për vetëtimin.
5. Mbani mbrojtëse për sytë dhe këpucë të forta gjatë gjithë kohës së përdorimit të kositëses.
6. Përdoreni kositësen vetëm gjatë ditës ose në kushte të mira ndriçimi artificial.
7. Ndizeni kositësen me kujdes sipas udhëzimeve dhe me këmbët larg diskut (disqeve).
8. Bëni kujdes të mos lëndoni këmbët dhe duart me fletët e kositëses.
9. Sigurohuni gjithmonë që vrimat e ajrosjes të mbahen të pastra nga papastërtitë.
10. Kositni përmes faqeve të pjerrinave, asnjëherë lart e poshtë. Bëni kujdes të veçantë kur ndryshoni drejtimin në zonat e pjerrëta. Mos kositni në zona me pjerrësi shumë të madhe.
11. Tregoni shumë kujdes kur ndryshoni drejtimin e kositëses ose kur e tërhiqni drejt vetes.
12. Ndaloni diskun(disqet) nëse kositësja duhet anuar për transportim, kur kaloni në sipërfaqe ku nuk ka bar dhe kur e transportoni nga apo për në zonën e përdorimit.
13. Mos e anoni kositësen kur ndizni motorin, përveçse kur kositësja duhet të anohet për t'u ndezur. Në këtë rast mos e anoni më shumë nga sa është absolutisht e nevojshme dhe ngrini vetëm pjesën që është larg përdoruesit. Gjithmonë sigurohuni që të dyja duart të jenë pozicionin e përdorimit përpara se ta ktheni në tokë kositësen.
14. Mos i vendosni duart ose këmbët pranë apo nën pjesët rrotulluese. Qëndroni gjithmonë larg vrimës së shkarkimit.

15. Mos e transportoni kositësen kur kositësja është e ndezur.
16. Shmangni përdorimin e kositëses në bar të lagur.
17. Mbajeni gjithmonë fort dorezën.
18. Mos kapni me dorë disqet prerëse ose tehet prerëse të ekspozuara kur e ngrini ose mbani kositësen.
19. Mbajini këmbët dhe duart larg disqeve rotulluese. Kujdes - Disqet rrëshqasin pasi kositësja fiket.
20. Ndaloni menjëherë përdorimin nëse vini re diçka të pazakontë. Fikni kositësen dhe hiqni çelësin e bllokimit. Pastaj kontrolloni kositësen.
21. Asnjëherë mos u përipiqi të bëni rregullime të lartësisë së prerjes ndërkohë që kositësja është në lëvizje nëse kositësja ka veçorinë e rregullimit të lartësisë së prerjes.
22. Lëshoni levën e çelësit dhe prisni që fleta të ketë ndaluar përpara se të kaloni rrugët, rrugicat ose ndonjë zonë të mbuluar me zhavorr. Gjithashtu, hiqni çelësin e bllokimit nëse lini kositësen vetëm, zgjasni dorën për të kapur ose hequr diçka që keni përpara ose për ndonjë arsye tjetër që mund t'ju shpërqendrojë nga puna që po bëni.
23. Nëse kositësja godet një objekt të huaj, ndiqni hapat e mëposhtme:  
- Fikni kositësen, lëshoni levën e çelësit dhe prisni derisa disku të ketë ndaluar plotësisht.  
- Hiqni çelësin e bllokimit dhe kutinë e baterisë.  
- Kontrolloni mirë kositësen për ndonjë dëmtim.  
- Zëvendësoni diskun nëse ka ndonjë dëmtim. Riparoni çdo dëmtim përpara se të rinisni ose të vazhdoni punën me kositësen.
24. Mos e ndizni kositësen kur jeni duke qëndruar përpara vrimës së shkarkimit.
25. Nëse kositësja nis të ketë dridhje jo normale (kontrollojeni menjëherë)  
- inspektoni për dëmtim,  
- zëvendësoni ose riparoni pjesët e dëmtuara,  
- kontrolloni dhe shtrëngoni pjesët e liruara.
26. Asnjëherë mos ia drejtoni materialin e shkarkuar dikujt. Shmangni shkarkimin e materialit kundrejt një muri ose pengese. Materiali mund të bëjë rikoshetë drejt përdoruesit. Ndaloheni fletën kur kaloni mbi sipërfaqe me zhavorr.
27. Mos e tërhiqni kositësen prapa përveçse kur është absolutisht e nevojshme. Kur jeni i detyruar që të ktheni kositësen nga një gardh ose pengesë e ngjashme, shikoni poshtë dhe prapa përpara dhe gjatë lëvizjes mbrapsht.
28. Fikni motorin dhe prisni derisa fleta të ndalojë plotësisht përpara se të hiqni kapësen e barit. Tregoni kujdes sepse fletët lëvizin pas fikjes.
29. Kur e përdorni makinerinë në tokë me baltë, pjerrësi të lagur, ose vend të lagur, kushtojini kujdes vendosjes së këmbëve.
30. Shmangni punën në mjedise të papërshtatshme ku përdoruesi mund të lodhet së tepërmi.
31. Mos e përdorni makinerinë në mot të keq ku shikueshmëria është e kufizuar. Nëse nuk veproni kështu mund të shkaktohet rrezim ose funksionim i pasaktë për shkak të shikueshmërisë së ulët.
32. Mos e zhytni makinerinë në pellgje.
33. Kur në grykë e thithjes (dritarja e ajrosjes) ngjiten gjethet ose papastërti për shkak të shiut, hiqini ato.
34. Mos e përdorni makinerinë në borë.
35. Nëse bari i prerë është i lagur, ai mund të ngeçë brenda makinerisë. Kontrolloni rregullisht gjendjen e makinerisë dhe hiqni barin e ngjitur sipas nevojës.
36. Kur përdorni makinerinë, kushtojuni kujdes tubacioneve dhe instalimeve elektrike.
37. Mos përdorni furnizim me energji me kordon si p.sh. përshatës baterie ose paketë elektrike portative me këtë makineri. Kabloja e këtij furnizimi me energji mund të pengojë punën dhe të rezultojë në lëndime personale.

#### Mirëmbajtja dhe ruajtja

1. Për siguri, ndërrojni pjesët e konsumuara apo të dëmtuara. Përdorni vetëm pjesë këmbimi dhe aksesori origjinalë.
2. Inspektoni dhe mirëmbajeni kositësen rregullisht.
3. Kur nuk është në përdorim, ruajeni kositësen larg fëmijëve.
4. Mbajini të gjitha dadot, bulonat dhe vidat të shtrënguara mirë për t'u siguruar që pajisja të jetë në kushte të sigurta pune.
5. Kontrolloni vazhdimisht koshin e barit për konsumim ose vjetrim. Për ruajtje, sigurohuni gjithmonë që koshi i barit të jetë bosh. Për siguri, një kosh bari të konsumuar zëvendësojeni me një kosh të ri nga fabrika.
6. Përdorni vetëm disqet origjinale të prodhuesit të specifikuara në këtë manual.
7. Bëni kujdes gjatë rregullimit të kositëses për të parandaluar ngecjen e gishtave në disqet që lëvizin dhe në pjesët e fiksuara të kositëses.
8. Kontrolloni në intervale të shpeshta që buloni i montimit të diskut të jetë shtrënguar mirë.
9. Lëreni gjithmonë kositësen të ftohet përpara se ta magazinoni.
10. Gjatë kryerjes së shërbimeve të disqet bëni kujdes që edhe pse burimi i energjisë është i fikur, disqet mund të lëvizin ende.
11. Asnjëherë mos hiqni ose ngacmoni pajisjet e sigurisë. Kontrolloni rregullisht funksionimin e tyre të rregullt. Asnjëherë mos bëni diçka për të ndërhyrë në funksionin e synuar të një pajisjeje sigurie ose për të reduktuar mbrojtjen e ofruar nga një pajisje sigurie.
12. Mos e lini makinerinë të pamonitoruar përjashta në shi.
13. Mos e lini makinerinë me ujë me presion të lartë.
14. Kur lini makinerinë, sigurohuni që ta hiqni baterinë dhe çelësin e bllokimit dhe të mbyllni kapakun e baterisë, dhe të derdhni ujë drejt pjesës së poshtme të makinerisë me të cilën është bashkuar fleta.

15. Kur magazinoni makinerinë, shmangni dritën e drejtpërdrejtë të diellit dhe shiun, dhe ruajeni në një vend ku nuk nxehet apo njomet.
16. Kryeni inspektimin ose mirëmbajtjen në një vend ku mund të shmangët shiun.
17. Pas përdorimit të makinerisë, hiqni papastëritë që i janë ngjitur dhe thajeni makinerinë plotësisht përpara se ta magazinoni. Në varësi të stinës ose të zonës, ekziston rreziku i keqfunksionimit për shkak të ngricës.

#### **Përdorimi dhe kujdesi për veglën me bateri**

1. **Ngarkojeni vetëm me ngarkuesin e specifikuar nga prodhuesi.** Ngarkuesi që është i përshtatshëm për një lloj pakete baterie mund të shkaktojë rrezik zjarri kur përdoret me një paketë tjetër baterie.
2. **Përdorini veglat elektrike vetëm me paketat e baterisë të përcaktuara në mënyrë specifike.** Përdorimi i paketave të tjera të baterisë mund të paraqesë rrezik lëndimi dhe zjarri.
3. **Kur paketa e baterisë nuk përdoret, mbajeni larg nga objektet e tjera metalike, si kapëset e letrave, monedhat, çelësat, gozhdët, vidat ose objektet e tjera metalike të vogla që mund të bëjnë lidhje nga njëri terminal tek tjetri.** Krijimi i lidhjes së shkurtër ndërmjet terminaleve të baterisë mund të shkaktojë djegie ose zjarr.
4. **Në kushte sforcimi mund të dalë lëng nga bateria; shmangni kontaktin.** Nëse aksidentalisht ndodh kontakt, shpëlani me ujë. Nëse lëngu bie në kontakt me sytë, kërkoni edhe ndihmën e mjekut. Lëngu i dalë nga bateria mund të shkaktojë acarim ose djegie.
5. **Mos e përdorni një kuti baterie apo vegël që është e dëmtuar ose e modifikuar.** Bateritë e dëmtuara ose të modifikuara mund të shfaqin sjellje të paparashikueshme që rezultojnë në zjarr, shpërthime apo rrezik plagosjeje.
6. **Mos e ekspozoni kutinë e baterisë ose veglën në zjarr ose ndaj temperaturave ekstreme.** Ekspozimi ndaj zjarrit ose temperaturave mbi 130 °C mund të shkaktojë shpërthim.
7. **Ndiqni të gjitha udhëzimet e karikimit dhe mos e karikoni kutinë e baterisë ose veglën jashtë kufijve të temperaturës të specifikuar të udhëzimit.** Karikimi i pasaktë ose në temperatura jashtë kufijve të specifikuar mund të dëmtojë baterinë dhe të rrisë rrezikun e zjarrit.

#### **Siguria elektrike dhe e baterisë**

1. **Mos e hidhni baterinë(të) në zjarr.** Ajo mund të shpërthejë. Kontrolloni kodet vendore për udhëzime të mundshme të veçanta të hedhjes.
2. **Mos e hapni dhe mos e shformoni baterinë(të).** Elektroliti i çliruar është gërryes dhe mund të dëmtojë sytë ose lëkurën. Ai mund të jetë toksik nëse gëlltitet.
3. **Mos e karikoni baterinë në shi ose në vende të lagura.**
4. **Mos e karikoni baterinë në ambiente të jashtme.**
5. **Mos e manovroni me duar të lagura karikuesin, as spinën dhe kontaktet e tij.**
6. **Mos e zëvendësoni baterinë në shi.**

7. **Mos e lagni terminalin e baterisë me lëngje si uji, ose mos e zhytni baterinë.** Mos e lini baterinë në shi, dhe as mos e karikoni ose magazinoni baterinë në një vend të njomë ose të lagur. Nëse terminali laget ose brenda baterisë hyn lëng, bateria mund të krijojë qark të shkurtër dhe ka rrezik mbinxehjeje, zjarri ose shpërthimi.
8. **Pas heqjes së baterisë nga makineria ose karikuesi, sigurohuni që ta bashkoni kapakun e baterisë me baterinë dhe ta ruani në një vend të thatë.**
9. **Mos e zëvendësoni baterinë me duar të lagura.**

#### **Shërbimi**

1. **Bëjini shërbim veglës elektrike nga një person i kualifikuar për riparime, duke përdorur vetëm pjesë identike zëvendësimi.** Kjo do ta mbajë të sigurt veglën elektrike.
2. **Asnjëherë mos e kryeni vetë shërbimin e paketave të dëmtuara të baterive.** Shërbimi i paketave të baterive duhet të kryhet vetëm nga prodhuesi ose ofruesit e autorizuar të shërbimit.

## **RUAJINI KËTO UDHËZIME.**

**⚠ PARALAJMËRIM:** MOS lejoni që njohja ose familjarizimi me produktin (të fituara nga përdorimi i shpeshtë) të zëvendësojnë zbatimin me përpikëri të rregullave të sigurisë për produktin në fjalë.

KEQPËRDORIMI ose mosndjekja e rregullave të sigurisë të dhëna në këtë manual përdorimi mund të shkaktojë dëmtime të rënda personale.

## **Udhëzime të rëndësishme rreth sigurisë për kutinë e baterisë**

1. **Përpara se ta përdorni kutinë e baterisë, lexoni të gjitha udhëzimet dhe shënimet e masave parandaluese të (1) ngarkuesit e baterisë, (2) bateria dhe (3) produkti që përdor baterinë.**
  2. **Mos e çmontoni ose dëmtoni kutinë e baterisë.** Kjo mund të shkaktojë zjarr, nxehtësi të lartë ose shpërthim.
  3. **Nëse koha e përdorimit është shkurtuar jashtë mase, ndalojeni punën menjëherë.** Kjo mund të rezultojë në rrezik mbinxehjeje, djegie të mundshme, madje edhe shpërthim.
  4. **Nëse ju futen elektrolite në sy, shpëlajini sytë me ujë të pastër dhe kërkoni ndihmë mjekësore menjëherë.** Kjo gjë mund të rezultojë në humbje të shikimit.
  5. **Mos bëni lidhje të shkurtër me kutinë e baterisë:**
    - (1) **Mos i prekni terminalet me materiale përcjellëse.**
    - (2) **Shmangni ruajtjen e kutisë së baterisë në një kuti me objekte të tjera metalike, si gozhdë, monedha etj.**
    - (3) **Mos e ekspozoni kutinë e baterisë në ujë ose shi.**
- Qarku i shkurtër i baterisë mund të shkaktojë qarkullim të madh të rrymës elektrike, mbinxehje, djegie të mundshme dhe madje prishje.**

6. Mos e ruani dhe mos e përdorni pajisjen dhe kutinë e baterisë në vende ku temperatura mund të arrijë ose tejkalojë 50 °C (122 °F).
7. Mos e digjini kutinë e baterisë, edhe nëse është shumë e dëmtuar ose është konsumuar plotësisht. Kutia e baterisë mund të shpërthejë në zjarr.
8. Mos e shpioni, pritni, shtypni, hidhni apo rrezoni kutinë e baterisë apo ta goditni kutinë e baterisë me një objekt të fortë. Një sjellje e tillë mund të shkaktojë zjarr, nxehtësi të lartë ose shpërthim.
9. Mos përdorni bateri të dëmtuar.
10. Bateritë e përfshira të litiumit, u nënshtrohen kërkesave të legjislacionit për mallrat e rrezikshme.

Për transport tregtar p.sh. nga palë të treta, agjentë të ndërmjetëm, duhet të ndiqen kërkesa specifike mbi paketimin dhe etiketimin. Për përgatitjen e artikullit për transport, është i nevojshëm konsultimi i një eksperti për materiale të rrezikshme. Ju lutemi, ndiqni gjithashtu rregulloret me gjasë më të detajuara vendore. Mbuloni me ngjitëse ose maskoni kontaktet e zhveshura dhe paketojeni baterinë në mënyrë të tillë që të mos lëvizë në paketim.

11. Kur hidhni kutinë e baterisë, hiqeni nga vegla dhe hidhni në një vend të sigurt. Zbatoni rregulloret lokale rreth hedhjes së baterisë.
12. Përdorini bateritë vetëm me produktet e specifikuar nga Makita. Instalimi i baterive në produkte të papajtueshme mund të rezultojë në zjarr, nxehtësi të lartë, shpërthim ose rrjedhje të elektroliteve.
13. Nëse vegla nuk përdoret për një periudhë të gjatë kohe, bateria duhet të hiqet nga vegla.
14. Gjatë dhe pas përdorimit, kutia e baterisë mund të nxehet, gjë që mund të shkaktojë djegie ose djegie në temperaturë të ulët. Tregoni kujdes gjatë manovrimit të kutive të nxehta të baterive.
15. Mos prekni terminalin e veglës menjëherë pas përdorimit pasi mund të nxehet aq shumë sa të shkaktojë djegie.
16. Mos lejoni që grumbullimin e ashklave, pluhurave ose papastërtive në terminalet, vrimat ose kanalet e kutisë së baterisë. Kjo mund të shkaktojë rendiment të ulët ose dëmtim të veglës ose të kutisë së baterisë.
17. Përveç kur vegla e mbështet përdorimin pranë linjave elektrike me voltazh të lartë, mos e përdorni kutinë e baterisë pranë linjave elektrike me voltazh të lartë. Kjo mund të shkaktojë një defekt ose dëmtim të veglës ose të kutisë së baterisë.
18. Mbajeni baterinë larg fëmijëve.

## RUAJINI KËTO UDHËZIME.

**▲KUJDES:** Përdorni vetëm bateri origjinale Makita. Përdorimi i baterive jo-origjinale Makita ose baterive që mund të jenë modifikuar, mund të rezultojë në marrjen flakë të baterisë, lëndime personale apo dëmtime. Kjo do të anulojë gjithashtu edhe garancinë e Makita-s për veglën e Makita-s dhe ngarkuesin.

## Këshilla për të ruajtur jetëgjatësinë maksimale të baterisë

1. Ngarkojeni baterinë përpara se të shkarkohet plotësisht. Gjithmonë ndaloni punën me pajisjen dhe ngarkoni baterinë kur vëreni ulje të fuqisë së pajisjes.
2. Asnjëherë mos e ringarkoni baterinë e ngarkuar plotësisht. Mbingarkimi shkurton jetëgjatësinë e shërbimit të baterisë.
3. Ngarkojeni baterinë në temperaturën e dhomës në 10 °C - 40 °C. Lërimi i kutisë e nxehtë të baterisë të ftohet përpara se ta ngarkoni atë.
4. Kur nuk e përdorni kutinë e baterisë, hiqeni atë nga vegla ose karikuesi.
5. Ngarkojeni baterinë nëse nuk e përdorni për një kohë të gjatë (mbi gjashtë muaj).

## MONTIMI

**▲PARALAJMËRIM:** Sigurohuni gjithmonë që çelësi i bllokimit dhe kutia e baterisë të jenë hequr përpara se të kryeni ndonjë shërbim për kositësen. Mosheqja e çelësit të bllokimit dhe kutisë së baterisë mund të çojë në lëndime personale serioze nga ndezja e paqëllimshme.

**▲PARALAJMËRIM:** Mos e ndizni kurrë kositësen nëse nuk është montuar plotësisht. Vënia në punë e makinerisë kur në gjendje pjesërisht të montuar mund të rezultojë në lëndime personale serioze nga ndezja e paqëllimshme.

## Instalimi i dorezës

**VINI RE:** Kur instaloni dorezat, poziciononi kordonët në mënyrë të tillë që të mos pengohen nëpër doreza. Nëse kordonit është i dëmtuar, çelësi i kositëses mund të mos funksionojë.

1. Bashkërenditni vrimat në dorezën e poshtme me vrimat në trupin e kositëses dhe më pas shtrëngoni përkohësisht 4 bulonat.
  - ▶ Fig.1: 1. Doreza e poshtme 2. Buloni
2. Shtrëngoni fort 4 bulonat që u shtrënguan përkohësisht në hapin 1 duke përdorur çelësin me tub numër 13.
3. Bashkërenditni vrimën në dorezën e poshtme me vrimën në dorezën e sipërme, më pas fusni bulonin nga brenda dhe më pas shtrëngojeni dadon nga jashtë me çelësin me tub numër 13. Kryeni të njëjtën procedurë në anën tjetër.
  - ▶ Fig.2: 1. Buloni 2. Doreza e poshtme 3. Dadoja 4. Vrima 5. Doreza e sipërme

**▲KUJDES:** Mbajeni dorezën e sipërme fort në mënyrë që të mos ju bjerë nga dora. Përndryshe, doreza mund të bjerë dhe të shkaktojë lëndim.

4. Bashkujni mbajtëset dorezës.
 

Bashkërenditni pjesët e dala në mbajtëse me pjesët në dorezë në mënyrë që pjesët e dala të përshaten me vrimat. Poziciononi kordonët siç tregohet në figurë.

  - ▶ Fig.3: 1. Kordoni 2. Mbajtësj

## Heqja e aksesorit të plehërimit

1. Hapni kapakun e pasmë.

► **Fig.4:** 1. Kapaku i pasmë

2. Hiqni aksesorin e plehërimit ndërkohë që mbani shtypur levën.

► **Fig.5:** 1. Leva 2. Aksesorin e plehërimit

## Instalimi ose heqja e koshit të barit

Për të instaluar koshin e barit, ndiqni hapat e mëposhtëm.

1. Hapni kapakun e pasmë.

► **Fig.6:** 1. Kapaku i pasmë

2. Mbani dorezën e koshit të barit dhe më pas futeni koshin e barit në shufrën e trupit të kositësës siç tregohet në figurë.

► **Fig.7:** 1. Shufra 2. Doreza 3. Koshi i barit

Për të hequr koshin e barit, hapni kapakun e pasmë dhe më pas hiqni koshin e barit duke mbajtur dorezën.

## Vendosja e aksesorit të plehërimit

1. Hapni kapakun e pasmë dhe më pas hiqni koshin e barit.

► **Fig.8:** 1. Kapaku i pasmë 2. Koshi i barit

2. Bashkoni aksesorin e plehërimit ndërsa mbani poshtë levën, më pas lëshoni levën për të kyçur aksesorin e plehërimit.

► **Fig.9:** 1. Leva 2. Aksesorin e plehërimit

## Bashkimi i aksesorit të shkarkimit

Për DLM530/DLM532

1. Hapni kapakun e pasmë dhe më pas hiqni koshin e barit.

► **Fig.10:** 1. Kapaku i pasmë 2. Koshi i barit

2. Bashkoni aksesorin e plehërimit ndërsa mbani poshtë levën, më pas lëshoni levën për të kyçur aksesorin e plehërimit.

► **Fig.11:** 1. Leva 2. Aksesorin e plehërimit

3. Hapni kapakun e anës së djathtë, më pas bashkoni aksesorin e shkarkimit.

Futni kapëset e aksesorit të shkarkimit poshtë shufrës së kapakut të anës së djathtë.

► **Fig.12:** 1. Kapaku i anës së djathtë 2. Aksesorin e shkarkimit

## PËRSHKRIMI I PUNËS

### Instalimi ose heqja e kutisë së baterisë

**▲KUJDE:** Fikeni gjithmonë makinerinë përpara se të instaloni ose hiqni kutinë e baterisë.

**▲KUJDE:** Mbajeni fort makinerinë dhe kutinë e baterisë kur montoni ose hiqni kutinë e baterisë. Mosmbajta fort e makinerisë dhe e kutisë së baterisë mund të bëjë që t'ju rreshqasin nga duart dhe të shkaktohet dëmtim i makinerisë dhe i kutisë së baterisë, si dhe lëndim i personit.

**▲KUJDE:** Sigurohuni që të bllokoni kapakun e baterisë përpara përdorimit. Përndryshe, balta, pluhuri ose uji mund të dëmtojnë produktin ose kutinë e baterisë.

**▲KUJDE:** Vendoseni gjithnjë plotësisht kutinë e baterisë derisa treguesi i kuq të mos duket. Në të kundërt, ajo mund të bjerë aksidentalisht nga makineria duke ju lënduar juve ose personin pranë jush.

**▲KUJDE:** Mos e vendosni me forcë kutinë e baterisë. Nëse kutia nuk hyn lehtë, nuk po e futni siç duhet.

**SHËNIM:** Makineria nuk punon vetëm me një kuti baterie.

#### Për të instaluar kutinë e baterisë;

1. Tërhiqni lart levën, më pas hapni kapakun e baterisë.

► **Fig.13:** 1. Kapaku i baterisë 2. Leva e bllokimit

2. Bashkënditni gjuhëzën e kutisë së baterisë me të çarën në makineri, më pas rreshqiteni kutinë derisa të bllokohet në vend me një kërcitje.

► **Fig.14:** (1) Porta e baterisë 1 (2) Porta e baterisë 2 (3) Kutia e baterisë

**SHËNIM:** Instaloni të paktën 2 kuti baterie në portën e baterisë 1 ose në portën e baterisë 2.

3. Futni deri në fund çelësin e bllokimit në vendin që tregon figura.

► **Fig.15:** 1. Çelësi i bllokimit

4. Mbyllni kapakun e baterisë dhe shtypni derisa të jetë mbyllur me levën e bllokimit.

#### Për të hequr kutinë e baterisë;

1. Tërhiqni lart levën e bllokimit të kapakut të baterisë dhe hapni kapakun e baterisë.

2. Tërhiqni kutinë e baterisë nga makineria ndërsa rreshqitni butonin në pjesën e përparme të kutisë.

3. Nxirrni çelësin e bllokimit.

4. Mbyllni kapakun e baterisë.

## Ndërrimi i kutive të baterive

► **Fig.16:** 1. Çelësi i përzgjedhjes së baterisë

Makineria përdor 2 kuti baterie njëkohësisht gjatë përdorimit. Në makineri mund të instalohen deri në 4 kuti baterie. Përpara se të përdorni makinerinë, zgjidhni portën e baterisë 1 ose portën e baterisë 2 duke rrotulluar çelësin e përzgjedhjes së baterisë.

**SHËNIM:** Nëse në makineri janë instaluar vetëm 2 kuti baterie, sigurohuni që të zgjidhni portën e baterisë në të cilën janë instaluar kutitë e baterive duke përdorur çelësin e përzgjedhjes së baterisë.

## Sistemi i mbrojtjes së makinerisë/ baterisë

Makineria është e pajisur me një sistem për mbrojtjen e makinerisë/baterisë. Ky sistem ndërpret automatikisht energjinë në motor për të zgjatur jetëgjatësinë e makinerisë dhe baterisë. Makineria do të ndalojë automatikisht gjatë punës nëse makineria ose bateria janë vendosur sipas njërit prej kushteve të mëposhtme:

### Mbrojtja nga mbingarkesa

Nëse bateria përdoret në mënyrë të tillë që të kërkojë nivele të larta anormale rryme, makineria ndalon automatikisht dhe llamba e rrymës kryesore pulson në ngjyrë të gjelbër. Në këtë situatë, fikeni makinerinë dhe ndaloni punën që shkaktoi mbingarkesën e makinerisë. Pastaj ndizeni makinerinë për ta rinisur.

### Mbrojtja ndaj mbinxehjes

Kur makineria ose bateria është mbinxehur, makineria ndalon automatikisht dhe llamba e rrymës kryesore ndizet në të kuqe. Në këtë rast, lëreni makinerinë dhe baterinë të ftohen përpara se ta ndizni sërish makinerinë.

### Mbrojtja nga mbishkarkimi

Kur kapaciteti i baterisë nuk mjafton, makineria ndalon automatikisht dhe llamba e rrymës kryesore pulson në të kuqe. Në këtë rast, hiqni baterinë nga makineria dhe karikoni kutitë e baterive ose ndërroni kutitë e baterive me të karikuara plotësisht.

## Treguesi i kapacitetit të mbetur të baterive

### Vetëm për kuti baterie me llambë

► Fig.17: 1. Llambat treguese 2. Butoni i kontrollit

Shtypni butonin e kontrollit në kutinë e baterisë për të treguar kapacitetin e mbetur të baterisë. Llambat treguese ndizen për pak sekonda.

Llambat treguese			Kapaciteti i mbetur
Ndezur	Fikur	Duke pulsuar	
■	□	▬	75% deri 100%
■ ■ ■ ■	□ □ □ □		50% deri 75%
■ ■	□ □		25% deri 50%
■	□ □ □ □		0% deri 25%
▬	□ □ □ □		Ngarkojeni baterinë.
■ ■ □ □	□ □ □ □	↑ ↓	Llambushka mund të ketë keqfunksionuar.
□ □ ■ ■	□ □ □ □		

**SHËNIM:** Në varësi të kushteve të përdorimit dhe të temperaturës së ambientit, treguesi mund të ndryshojë paksa nga kapaciteti aktual.

## Paneli i kontrollit

Paneli i kontrollit ka çelësin e rrymës kryesore, butonin e ndërrimit të regjimit dhe treguesin e kapacitetit të mbetur të baterisë.

► Fig.18: 1. Treguesi i baterisë 2. Llamba e ndërrimit të regjimit 3. Llamba e rrymës kryesore 4. Butoni i kontrollit 5. Butoni i ndërrimit të regjimit 6. Çelësi i rrymës kryesore

### Çelësi i rrymës kryesore

**PARALAJMËRIM:** Gjithmonë fikeni çelësin e rrymës kryesore kur nuk është në përdorim.

Për ta ndezur makinerinë, shtypni çelësin e rrymës kryesore. Llamba e rrymës kryesore ndizet në të gjelbër. Për ta fikur makinerinë, shtypni sërish çelësin e rrymës kryesore.

**SHËNIM:** Nëse llamba e rrymës kryesore ndizet në të kuqe ose pulson në të kuqe ose në të gjelbër, referojuni udhëzimeve për sistemin e mbrojtjes së makinerisë/baterisë.

**SHËNIM:** Kjo makineri përdor funksionin e fikjes automatike. Për të shmangur ndezjen pa dashje, çelësi i rrymës kryesore do të mbyllet automatikisht kur leva e çelësit dhe leva e transmisionit (nëse ka) nuk janë tërhequr për një periudhë të caktuar kohe pas ndezjes së çelësit të rrymës kryesore.

### Butoni i ndërrimit të regjimit

Ju mund të ndërroni regjimin e përdorimit duke shtypur butonin e ndërrimit të regjimit. Kur makineria është e ndezur, makineria ndizet në regjim normal. Kur shtypni butonin e ndërrimit të regjimit, makineria kalon në regjimin e reduktimit të zhurmës dhe llamba e ndërrimit të regjimit ndizet në ngjyrë të gjelbër. Në regjimin e reduktimit të zhurmës, mund të reduktoni zhurmën gjatë kositjes. Kur shtypni sërish butonin e ndërrimit të regjimit, makineria kthehet në regjimin normal.

### Treguesi i kapacitetit të mbetur të baterive

Shtypni butonin e kontrollit për të treguar kapacitetin e mbetur të baterisë. Ka një tregues baterish për çdo bateri.

Gjendja e treguesit të baterisë		Kapaciteti i mbetur i baterisë
Ndezur	Fikur	
		50% - 100%
		20% - 50%
		0% - 20%



**SHËNIM:** Llambat e treguesit për kapacitetin e mbetur të baterisë janë vetëm për referencë. Kapaciteti aktual i baterisë mund të ndryshojë në varësi të kushteve të përdorimit.

**SHËNIM:** Përpara se të shtypni butonin e kontrollit për të treguar kapacitetin e mbetur të baterisë, ndaloni makinerinë.

## Veprimi i ndërrimit

**▲ PARALAJMËRIM:** Përpara instalimit të kutisë së baterisë, kontrolloni gjithmonë nëse leva e çelësit aktivizohet siç duhet dhe nëse kthehet në pozicionin fillestar kur lëshohet. Përdorimi i makinerisë me një çelës që nuk funksionon siç duhet mund të çojë në humbje të kontrollit dhe lëndim të rëndë personal.

**SHËNIM:** Kositësja nuk ndizet pa shtypur butonin e çelësit, edhe nëse e keni tërhequr levën e çelësit.

**SHËNIM:** Kositësja mund të mos niset për shkak të mbingarkesës kur provoni të kositni bar të gjatë ose të dendur njëkohësisht. Në këtë rast rrisni lartësinë e kositjes.

Kositësja është e pajisur me çelës bllokimi dhe çelës doreze. Nëse vini re diçka të pazakontë me çelësin e bllokimit ose çelësin, ndaloni menjëherë punën dhe kontrolloni në qendrën më të afërt të shërbimit të autorizuar nga Makita.

### Për DLM462/DLM532

1. Instaloni kutitë e baterisë. Futni çelësin e bllokimit dhe më pas mbyllni kapakun e baterisë.
  2. Përzgjidhni kutitë e baterive që përdoren për përdorimin duke kthyer çelësin e përzgjedhjes së baterisë.
  3. Shtypni çelësin e rrymës kryesore.
  4. Tërhiqni levën e çelësit drejt jush ndërkohë që mbani shtypur butonin e çelësit. Lëshoni butonin e çelësit sapo motori nis të punojë.
- **Fig.19:** 1. Butoni i çelësit 2. Leva e çelësit

**SHËNIM:** Nëse çelësi i bllokimit nuk është futur, llamba e energjisë pulson në të gjelbër kur tërhiqni levën e çelësit.

5. Ndërkohë që mbani levën e çelësit, shtypni levën e transmisionit dhe mbajeni për të lëvizur rrotat e pasme.

► **Fig.20:** 1. Leva e transmisionit

**SHËNIM:** Ju mund të lëvizni rrotat e pasme duke shtypur levën e transmisionit përpara dhe duke mbajtur pa tërhequr levën e çelësit.

6. Lëshoni levën e transmisionit dhe levën e çelësit për të ndaluar makinerinë.

### Për DLM530

1. Instaloni kutitë e baterisë. Futni çelësin e bllokimit dhe më pas mbyllni kapakun e baterisë.
2. Përzgjidhni kutitë e baterive që përdoren për përdorimin duke kthyer çelësin e përzgjedhjes së baterisë.

3. Shtypni çelësin e rrymës kryesore.

4. Tërhiqni levën e çelësit drejt jush ndërkohë që mbani shtypur butonin e çelësit. Lëshoni butonin e çelësit sapo motori nis të punojë.

► **Fig.21:** 1. Butoni i çelësit 2. Leva e çelësit

**SHËNIM:** Nëse çelësi i bllokimit nuk është futur, llamba e energjisë pulson në të gjelbër kur tërhiqni levën e çelësit.

5. Lëshoni levën e çelësit për të ndaluar motorin.

## Rregullimi i lartësisë së kositjes

**▲ PARALAJMËRIM:** Asnjëherë mos e vendosni dorën ose këmbën poshtë trupit të kositësës kur rregulloni lartësinë e kositjes.

**▲ PARALAJMËRIM:** Gjithmonë sigurohuni që të keni futur mirë levën në kanal përpara përdorimit.

Lartësia e kositjes mund të rregullohet në një nivel mes 20 mm dhe 100 mm.

Hiqni çelësin e bllokimit dhe më pas tërhiqni levën e rregullimit të lartësisë së kositjes për nga jashtë trupit të kositësës dhe lëvizini në lartësinë e dëshiruar të kositjes.

► **Fig.22:** 1. Leva e rregullimit të lartësisë së kositjes

Tabela e mëposhtme tregon lidhjen mes numrit në trupin e kositësës dhe lartësisë së përafërt të kositjes.

Numri	Lartësia e kositjes
1	20 mm
2	26 mm
3	32 mm
4	39 mm
5	47 mm
6	55 mm
7	63 mm
8	74 mm
9	86 mm
10	100 mm

Mbajeni dorezën e përparme ose dorezën e poshtme me një dorë dhe më pas levën e rregullimit të lartësisë së kositjes me dorën tjetër.

► **Fig.23:** 1. Leva e rregullimit të lartësisë së kositjes 2. Doreza e poshtme 3. Mbajtësja e përparme

**SHËNIM:** Figurat e lartësisë së kositjes duhet të përdoren vetëm si udhëzuese. Në varësi të kushteve të lëndinës ose të tokës, lartësia aktuale e kositjes mund të jetë paksa e ndryshme nga lartësia e vendosur.

**SHËNIM:** Provoni një kositje prove të barit në një pjesë jo shumë të dukshme që të arrini lartësinë e duhur.

## Treguesi i nivelit të barit

Treguesi i nivelit të barit tregon volumin e barit të kositur. Kur koshi i barit nuk është plot, treguesi qëndron pezull ndërkohë që fletët janë në lëvizje.

► **Fig.24:** 1. Treguesi i nivelit të barit

Kur koshi i barit është pothuajse plot, treguesi nuk qëndron pezull ndërkohë që fletët janë në lëvizje. Në këtë rast, ndaloni menjëherë përdorimin dhe boshatisni koshin.

► **Fig.25:** 1. Treguesi i nivelit të barit

**SHËNIM:** Treguesi është udhëzues i përafërt. Në varësi të gjendjes brenda koshit, ky tregues mund të mos funksionojë siç duhet.

## Rregullimi i lartësisë së dorezës

**▲KUJDES:** Përpara heqjes së bulonave, mbajeni mirë dorezën e sipërme. Përndryshe, doreza mund të bjerë dhe të shkaktojë lëndim.

Lartësia e dorezës mund të rregullohet në dy nivele.

1. Hiqni bulonat e sipërm të dorezës së poshtme duke përdorur çelësin me tub numër 13 dhe më pas lironi bulonat e poshtëm.

► **Fig.26:** 1. Buloni i sipërm 2. Buloni i poshtëm

2. Rregulloni lartësinë e dorezës dhe më pas shtrëngoni fort bulonat e sipërm dhe të poshtëm.

## Kalibrimi i shpejtësisë së udhëtimit

Për DLM462/DLM532

► **Fig.27:** 1. Leva e shpejtësisë

Shpejtësia e udhëtimit mund të rregullohet me levën e shpejtësisë. Për të ulur shpejtësinë, tërhiqni levën drejt jush dhe për të rritur shpejtësinë kthejeni levën përpara.

## Përdorimi i aksesorit të plehërimit

Aksesorit i plehërimit ju lejon që ta ktheni barin e prerë në tokë pa e mbledhur barin e prerë në koshin e barit. Kur e përdorni makinerinë me aksesorin e plehërimit, sigurohuni që të hiqni koshin e barit.

**VINI RE:** Kur e përdorni makinerinë me aksesorin e plehërimit, sigurohuni që gjatësia totale e barit të jetë 30 mm ose më shumë dhe gjatësia e prerjes është 15 mm ose më pak.

► **Fig.28:** (1) 30 mm ose më shumë (2) 15 mm ose më pak

## Përdorimi i aksesorit të shkarkimit

Për DLM530/DLM532

Aksesorit i shkarkimit ju lejon që ta shkarkoni barin e prerë në tokë nga ana e djathtë e makinerisë pa e mbledhur barin e prerë në koshin e barit. Kur e përdorni makinerinë me aksesorin e shkarkimit, sigurohuni që të instaloni aksesorin e plehërimit dhe hiqni koshin e barit.

## Funksioni elektronik

Makineria është e pajisur me funksione elektronike për përdorim të lehtë.

- Kontrolli i shpejtësisë konstante të rrotullimit të fletës Kontrolli elektronik i shpejtësisë për të përfutur një shpejtësi konstante. Është e mundur marrja e rezultateve të mira, sepse shpejtësia e rrotullimit mbahet konstante, madje edhe në kushte kur vegla është e ngarkuar.
- Ndezja e ngadaltë në lëvizje Funksioni i nisjes së butë minimizon tronditjen gjatë nisjes dhe bën që makineria të nisët pa probleme.
- Freni elektrik Kjo makineri është pajisur me fren elektrik. Nëse makineria vazhdimisht dështon të ndalojë me shpejtësi fletët e kositeses pas lëshimit të levës së çelësit, kërkonti që makinerisë t'i kryhet shërbimi në qendrën e autorizuar të shërbimit të Makita.

## PËRDORIMI

### Kositja

**▲PARALAJMËRIM:** Përpara se të nisni kositjen, hiqni gurët dhe shkrapinjët nga zona e kositjes. Më pas, hiqni paraprakisht bimët e mëdha nga zona e kositjes.

**▲PARALAJMËRIM:** Vendosi gjithmonë syzet mbrojtëse ose syzet e sigurisë me mbrojtëse në anë gjatë përdorimit të kositeses.

**▲KUJDES:** Nëse brenda në trupin e kositeses bllokohet bar i prerë ose ndonjë objekt i huaj, sigurohuni që të hiqni çelësin e bllokimit dhe kutinë e baterisë dhe të vishni doreza përpara se të hiqni barin ose objektin e huaj.

**VINI RE:** Përdoreni këtë makineri vetëm për kositjen e barit dekorativ. Mos kositni barërat e këqija me këtë makineri.

► **Fig.29**

Gjatë kositjes mbajeni fort me të dyja duart dorezën. Si udhëzues shpejtësia e kositjes është rreth 7 deri 14 metra në 10 sekonda.

► **Fig.30**

Vijat qendrore të rrotave të përparme janë udhëzuese për gjerësinë e kositjes. Duke përdorur vijat qendrore si udhëzuese, kositni në shirit. Mbivendosni një të dytën deri në një të tretën e shiritit të mëparshëm për të kositur barin në mënyrë të njëtrajtshme.

► **Fig.31:** 1. Gjerësia e kositjes 2. Zona e mbivendosjes 3. Vija qendrore

Ndryshoni drejtimin e kositjes çdo herë për të mos lejuar që motivi i barit të formohet vetëm në një drejtim.

► **Fig.32**

Kontrolloni periodikisht koshin e barit për barin e kositur. Zbrazeni barin përpara se të mbushet. Përpara çdo kontrolli periodik, sigurohuni që ta keni ndaluar kositesën, më pas hiqni çelësin e bllokimit dhe kutinë e baterisë.

**VINI RE:** Përdorimi i kositësës kur koshi i barit është plot parandalon rrotullimin pa probleme të fletës dhe ngarkon më tepër motorin, gjë e cila mund të çojë në prishjen e tij.

## Kositja e barit të gjatë

Mos u përpiqni ta prisni barin e gjatë brenda një dite. Në vend të kësaj, kositeni barin në disa hapa. Lini një ose dy ditë kohë mes kositjeve derisa bari të ketë gjatësi të njëtrajtshme.

► Fig.33

**SHËNIM:** Kositja e barit të gjatë në gjatësi të shkurtër brenda një dite mund të bëjë që bari të thahet. Bari i prerë gjithashtu mund të bllokohet brenda trupit të kositësës.

## Boshatisja e koshit të barit

**▲ PARALAJMËRIM:** Për të ulur rrezikun e aksidentit, kontrolloni rregullisht koshin e barit për dëmtime ose rënie të fuqisë. Zëvendësoni koshin e barit nëse është e nevojshme.

1. Lëshoni levën e çelësit dhe levën e transmissionit (për DLM462/DLM532) ose lëshoni levën e çelësit (për DLM530).

2. Hiqni çelësin e bllokimit.

3. Hapni kapakun e pasmë dhe nxirri koshin e barit duke e mbajtur nga doreza.

► Fig.34: 1. Kapaku i pasmë 2. Doreza 3. Koshi i barit

4. Boshatisni koshin e barit.

## MIRËMBAJTJA

**▲ PARALAJMËRIM:** Sigurohuni gjithmonë që çelësi i bllokimit dhe kutia e baterisë të hiqen nga kositësja përpara ruajtjes ose transportimit të kositësës ose përpara se të përpiqeni të kryeni inspektimin ose mirëmbajtjen e saj.

**▲ PARALAJMËRIM:** Gjithmonë hiqni çelësin e bllokimit kur kositësja nuk është në përdorim. Çelësin e bllokimit ruajeni në një vend të sigurt larg fëmijëve.

**▲ PARALAJMËRIM:** Vini gjithmonë doreza kur kryeni një inspektim ose mirëmbajtje.

**▲ PARALAJMËRIM:** Vendosni gjithmonë syzet mbrojtëse ose syzet e sigurisë me mbrojtëse anësore gjatë kryerjes së inspektimit ose të mirëmbajtjes.

**VINI RE:** Mos përdorni kurrë benzinë, benzinë pastrimi, hollues, alkool dhe të ngjashme. Mund të shkaktoni çngjyrosje, deformime ose krisje.

Për të ruajtur SIGURINË dhe QËNDRUESHMËRINË, riparimet dhe çdo mirëmbajtje apo rregullim tjetër duhen kryer nga qendrat e autorizuara të shërbimit ose të shërbimit të fabrikës të Makita-s, duke përdorur gjithnjë pjesë këmbimi të Makita-s.

## Mirëmbajtja

1. Hiqni çelësin e bllokimit dhe kutinë e baterive dhe më pas mbyllni kapakun e baterisë.

2. Vendoseni kositësen në anë në mënyrë të tillë që leva për rregullimin e lartësisë së kositjes të vijë në anën e sipërme. Pastroni prerjet e barit të grumbulluara në pjesën e poshtme të kositësës.

3. Dërdhni ujë drejt pjesës së poshtme të makinerisë me të cilën është bashkuar flota.

**VINI RE:** Mos e lani makinerinë me ujë me presion të lartë.

4. Kontrolloni të gjitha dadot, dorezat, vidat etj., nëse janë shtrënguar mire.

5. Inspektoni pjesët e lëvizshme për dëmtim, thyerje dhe konsumim. Pjesët e dëmtuara ose që mungojnë duhet të riparohen ose zëvendësohen.

6. Magazinoheni kositësen në një vend të sigurt ku nuk arrihet nga fëmijët.

Për DLM462/DLM532

**VINI RE:** Mos derdhni ujë në zonën që tregohet në figurë. Dërdhja e ujit në njësinë e motorit mund të shkaktojë keqfunksionim të makinerisë.

► Fig.35: 1. Zona ku nuk duhet të derdhet ujë

## Transportimi i kositësës

Kur transportoni kositësen, mbajeni dorezën e përparme dhe dorezën e pasme me dy persona siç tregohet në figurë.

► Fig.36: 1. Mbajtësja e përparme 2. Mbajtësja e pasme

## Magazinimi

Kositësen ruajeni në një vend të mbyllur, të freskët, të thatë dhe të kyçur. Mos e ruani kositësen dhe karikuesin në vende ku temperatura mund të arrijë ose tejkalojë 40 °C.

## Heqja ose instalimi i diskut të kositësës

**▲ PARALAJMËRIM:** Disku rrëshqet për disa sekonda pasi keni lëshuar çelësin. Mos nisni asnjë punë derisa disku të ndalojë plotësisht.

**▲ PARALAJMËRIM:** Hiqni gjithmonë çelësin e bllokimit dhe kutinë e baterisë kur hiqni ose instaloni diskun. Mosheqja e çelësit të bllokimit dhe kutisë së baterisë mund të shkaktojë lëndime serioze.

**▲ PARALAJMËRIM:** Mbani gjithmonë doreza kur punoni me diskun.

## Heqja e fletës së kositëses

### Për modelet e pajisura me fletën e drejtë të kositëses

1. Vendoseni kositësen në anë në mënyrë të tillë që leva për rregullimin e lartësisë së kositjes të vijë në anën e sipërme.
2. Për të bllokuar rrotullimin, futni një kunj në vrimën në trupin e kositëses.
3. Rrotulloni bulonin në drejtim të kundërt të akrepave të orës me çelësin me tub numër 17.  
► **Fig.37:** 1. Disku i kositëses 2. Kunji 3. Çelësi me tub
4. Hiqni bulonin dhe më pas fletën e kositëses.  
► **Fig.38:** 1. Mbështetësja e fletës 2. Disku i kositëses 3. Buloni 4. Pjesa e dalë

**VINI RE:** Kur instaloni fletën e kositëses, sigurohuni që pjesët e dala të mbështetësja e fletës të përshtaten me vrimat në fletën e kositëses.

### Për modelet e pajisura me fletët e kositëses me kthim pas

1. Vendoseni kositësen në anë në mënyrë të tillë që leva për rregullimin e lartësisë së kositjes të vijë në anën e sipërme.
2. Për të kyçur pllakën e bazës, fusni kunjin në një vrimë në trupin e kositëses përmes një vrime në pllakën e bazës.
3. Rrotulloni bulonin në drejtim të kundërt të akrepave të orës me çelësin me tub numër 17.  
► **Fig.39:** 1. Kunji 2. Pllaka e bazës 3. Çelësi me tub
4. Hiqni bulonin dhe më pas pllakën e bazës.  
► **Fig.40:** 1. Mbështetësja e fletës 2. Pllaka e bazës 3. Buloni 4. Pjesa e dalë

**VINI RE:** Kur instaloni fletët e kositëses, sigurohuni që pjesët e dala të mbështetësja e fletës të përshtaten me vrimat në pllakën e bazës.

5. Për të hequr fletën individuale të kositëses, rrotulloni bulonin në drejtim të kundërt të akrepave të orës me çelësin me tub numër 17, ndërkohë që mbani pllakën e bazës.  
► **Fig.41:** 1. Pllaka e bazës 2. Fleta e kositëses 3. Çelësi me tub
6. Hiqni dadon, rondelën, rondelën me sustë, fletën e kositëses dhe bulonin sipas rendit.  
► **Fig.42:** 1. Vrime e bulonit 2. Buloni 3. Fleta e kositëses 4. Rondela me sustë 5. Rondela 6. Dadoja

**VINI RE:** Kur shtrëngoni dadot për të instaluar fletët individuale të kositëses, aplikoni si forcë shtrënguese 30 N.m.

**VINI RE:** Kur instaloni fletën individuale të kositëses, sigurohuni që të vendosni rondelën me sustë në drejtimin e treguar në figurë.

**VINI RE:** Kur instaloni fletën individuale të kositëses, sigurohuni që të fusni bulonat në vrimat e bulonave të treguar në figurë.

## Instalimi i fletës së kositëses

**▲ PARALAJMËRIM:** Instaloheni fletën e kositëses me kujdes. Ai ka një anë të sipërme/të poshtme.

**▲ PARALAJMËRIM:** Shtrëngoni fort bulonin në drejtim orar për të siguruar fletën.

**▲ PARALAJMËRIM:** Sigurohuni që fleta e kositëses dhe të gjitha pjesët fiksuese të jenë instaluar saktësisht dhe të shtrënguara mirë.

**▲ PARALAJMËRIM:** Kur zëvendësoni fletët, gjithmonë ndiqni udhëzimet që jepen në këtë manual.

**VINI RE:** Pas instalimit të fletëve të kositëses, hiqni kunjin nga trupi i kositëses.

Për të instaluar fletët e kositëses, kryeni procedurën e heqjes në të anasjelltë.

# NDREQJA E DEFEKTEVE

Përpara se të kërkonti riparime, bëni fillimisht një kontroll nga ana juaj. Nëse zbuloni ndonjë problem që nuk shpjegohet në manual, mos u mundoni të çmontoni makinerinë. Përkundrazi, drejtojeni qendrave të autorizuar të shërbimit Makita, duke përdorur gjithmonë pjesë këmbimi Makita për riparimet.

Gjendja anormale	Shkaku i mundshëm (keqfunksionimi)	Zgjidhja
Kositësja nuk ndizet.	Dy kutitë e baterisë nuk janë instaluar.	Instaloni dy kutitë e karikuara të baterisë.
	Problem me baterinë (nën tension)	Rikarikoni kutinë e baterisë. Nëse rikarikimi nuk është efikas, zëvendësoni kutinë e baterisë.
	Çelësi i bllokimit nuk është futur.	Futni çelësin e bllokimit.
	Çelësi i përzgjedhjes së baterisë nuk është në pozicionin e duhur.	Zgjidhni portën e baterisë me të cilën instalohen kutitë e baterisë duke përdorur çelësin e përzgjedhjes së baterisë.
Motori ndali punën pas një përdorimi të vogël.	Niveli i karikimit të baterisë është i ulët.	Rikarikoni kutinë e baterisë. Nëse rikarikimi nuk është efikas, zëvendësoni kutinë e baterisë.
	Lartësia e prerjes është tepër e ulët.	Rrisni lartësinë e prerjes.
	Bari i prerë është bllokuar në kositëse.	Hiqni barin e bllokuar nga kositësja.
Motori nuk arrin RPM maksimale.	Kutia e baterisë nuk është instaluar mirë.	Instaloni kutinë e baterisë siç përshkruhet në këtë manual.
	Fuqia e baterisë bie.	Rikarikoni kutinë e baterisë. Nëse rikarikimi nuk është efikas, zëvendësoni kutinë e baterisë.
	Sistemi i lëvizjes nuk funksionon mirë.	Kërkojini qendrës lokale të autorizuar të shërbimit që ta riparojë.
Fleta e kositëses nuk rrotullohet: ⇒ ndalojeni menjëherë kositësen!	Pranë fletës ka ngecur objekt i huaj si p.sh. degë.	Hiqni objektin e huaj.
	Sistemi i lëvizjes nuk funksionon mirë.	Kërkojini qendrës lokale të autorizuar të shërbimit që ta riparojë.
Dridhje jonormale: ⇒ ndalojeni menjëherë kositësen!	Fleta është e pabalancuar, është tepër e konsumuar ose është konsumuar në mënyrë jo të njëtrajtshme.	Zëvendësoni fletën.

## AKSESORË OPSIONALE

**⚠️KUJDES:** Këta aksesore ose shtojca rekomandohen për përdorim me makinerinë Makita të përcaktuar në këtë manual. Përdorimi i aksesorëve apo i shtojcave të tjera mund të përbëjë rrezik lëndimi ndaj njerëzve. Aksesorët ose shtojcat përdorini vetëm për qëllimin e tyre të përcaktuar.

Nëse keni nevojë për më shumë të dhëna në lidhje me aksesorët, pyesni qendrën vendore të shërbimit të Makita-s.

- Disku i kositëses
- Bateri dhe ngarkues origjinal Makita

**SHËNIM:** Disa artikuj të listës mund të përfshihen në paketën e produktit si aksesore standardë. Ato mund të ndryshojnë nga njëri shtet në tjetrin.

## СПЕЦИФИКАЦИИ

Модел:		DLM462	DLM530	DLM532
Ширина на косене (диаметър на диска)		460 мм	534 мм	
Обороти на празен ход		2 500 мин <sup>-1</sup>	2 300 мин <sup>-1</sup>	
Максимална скорост		3 300 мин <sup>-1</sup>	2 800 мин <sup>-1</sup>	
Номер на част на резервен диск на косачката	Прав диск на косачката	191D51-9	191D52-7	
	Връщащи се назад дискове на косачката *1	191D49-6	191D50-1	
	Връщащи се назад дискове на косачката *2	191D47-0	191D48-8	
Размери (Д x Ш x В)		Д: 1 610 мм до 1 690 мм Ш: 535 мм В: 980 мм до 1 095 мм	Д: 1 630 мм до 1 715 мм Ш: 590 мм В: 990 мм до 1 095 мм	
Скорост на движение		2,5 – 5,0 км/ч	–	2,5 – 5,0 км/ч
Номинално напрежение		Постоянно напрежение 36 V		
Нетно тегло	При монтиран прав диск на косачката	35,3 - 39,0 кг	35,5 - 39,3 кг	39,0 – 42,8 кг
	При монтирани връщащи се назад дискове на косачката	36,0 – 39,7 кг	36,2 – 40,0 кг	39,7 – 43,5 кг
Степен на защита		IPX4		

\*1. Основна плоча и отделни дискове на косачката.

\*2. Само отделни дискове на косачката.

- Поради нашата непрекъсната научно-развойна дейност посочените тук спецификации могат да бъдат променени без предизвестие.
- Спецификациите може да са различни в различните държави.
- Теглото може да се различава в зависимост от принадлежността(ите), включително акумулаторната батерия. Най-леката и най-тежката комбинация в съответствие с процедурата на ЕРТА 01/2014 са показани в таблицата.

### Приложима акумулаторна батерия

BL1815N / BL1820 / BL1820B / BL1830 / BL1830B / BL1840 / BL1840B / BL1850 / BL1850B / BL1860B

- Някои от акумулаторните батерии, посочени по-горе, може да не са налични в зависимост от региона на местоживеене.


**⚠ ПРЕДУПРЕЖДЕНИЕ:** Използвайте само посочените по-горе акумулаторни батерии. Използването на други акумулаторни батерии може да причини нараняване и/или пожар.


**⚠ ПРЕДУПРЕЖДЕНИЕ:** С тази машина не използвайте захранване с кабел, например адаптер за акумулаторната батерия или преносим захранващ модул. Кабелът на такова захранване може да възпрепятства работата и да доведе до наранявания.


### СИМВОЛИ

По-долу са описани символите, които може да се използват за тази машина. Задължително е да се запознаете с техните значения, преди да пристъпите към работа.

 Необходимо е особено внимание.

 Прочетете ръководството за експлоатация.

 Опасност; внимавайте за изхвърчащи предмети.

 Разстоянието между инструмента и намиращите се наоколо хора трябва да бъде поне 15 м.



Никога не поставяйте ръцете и краката си близо до режещите ножове под косачката. Ножовете продължават да се въртят и след изключването на двигателя.



Извадете блокиращия ключ преди проверка, настройка, почистване, обслужване, оставяне и съхранение на косачката.



Електрическа опасност. Контакт с вода може да предизвика електрически удар.



Не наливайте вода.



Само за страни от ЕС  
Не изхвърляйте електрооборудване или акумулаторни батерии с битовите отпадъци!  
При спазване на Европейската директива относно отпадъците от електрическо и електронно оборудване и директивата относно батерии и акумулатори и отпадъци от батерии и акумулатори и приложението им съгласно националното законодателство, бракуваното електрическо оборудване и батерии и пакет(и) батерии трябва да се събират отделно и да се връщат в места за рециклиране, съобразени с изискванията за опазване на околната среда.

## Предназначение

Машината е предназначена за косене на тревни площи.

## Шум

Обичайното ниво на шума с тегловен коефициент A, определено съгласно EN60335-2-77:

**ЗАБЕЛЕЖКА:** Стойностите са измерени при поставен прав диск на косачката.

### Модел DLM462

Ниво на звуково налягане ( $L_{pA}$ ): 82,7 dB(A)  
Ниво на звукова мощност ( $L_{WA}$ ): 90,9 dB (A)  
Коефициент на неопределеност (K): 3 dB(A)

### Модел DLM530

Ниво на звуково налягане ( $L_{pA}$ ): 78,1 dB(A)  
Ниво на звукова мощност ( $L_{WA}$ ): 90,4 dB (A)  
Коефициент на неопределеност (K): 3 dB(A)

### Модел DLM532

Ниво на звуково налягане ( $L_{pA}$ ): 78,1 dB(A)  
Ниво на звукова мощност ( $L_{WA}$ ): 90,4 dB (A)  
Коефициент на неопределеност (K): 3dB(A)

При работа нивото на шума може да превиши 80 dB (A).

**ЗАБЕЛЕЖКА:** Обявената(ите) стойност(и) на шумовите емисии  $e(sa)$  измерена(и) в съответствие със стандартни методи за изпитване и може да се използва(т) за сравняване на инструменти.

**ЗАБЕЛЕЖКА:** Обявеното(ите) стойност(и) на шумови емисии може да се използва(т) също и за предварителна оценка на вредното въздействие.

**▲ ПРЕДУПРЕЖДЕНИЕ:** Използвайте предпазни средства за слуха.

**▲ ПРЕДУПРЕЖДЕНИЕ:** Нивото на шума при работа с електрическия инструмент може да се различава от обявената(ите) стойност(и) в зависимост от начина на използване на инструмента, по-специално какъв детайл се обработва.

**▲ ПРЕДУПРЕЖДЕНИЕ:** Задължително определете предпазни мерки за защита на оператора въз основа на оценка на риска в реални работни условия (като се вземат предвид всички етапи на работния цикъл, като например момента на изключване на инструмента, работата на празен ход, както и времето на задействане).

## Вибрации

Общата стойност на вибрациите (сума от три осови вектора), определена съгласно EN60335-2-77:

**ЗАБЕЛЕЖКА:** Стойностите са измерени при поставен прав диск на косачката.

### Модел DLM462

Ниво на вибрациите ( $a_h$ ): 2,5  $m/s^2$  или по-малко  
Коефициент на неопределеност (K): 1,5  $m/s^2$

### Модел DLM530

Ниво на вибрациите ( $a_h$ ): 2,5  $m/s^2$  или по-малко  
Коефициент на неопределеност (K): 1,5  $m/s^2$

### Модел DLM532

Ниво на вибрациите ( $a_h$ ): 2,5  $m/s^2$  или по-малко  
Коефициент на неопределеност (K): 1,5  $m/s^2$

**ЗАБЕЛЕЖКА:** Обявената(ите) обща(и) стойност(и) на вибрациите  $e(sa)$  измерена(и) в съответствие със стандартни методи за изпитване и може да се използва(т) за сравняване на инструменти.

**ЗАБЕЛЕЖКА:** Обявената(ите) обща(и) стойност(и) на вибрациите може да се използва(т) също и за предварителна оценка на вредното въздействие.

**▲ ПРЕДУПРЕЖДЕНИЕ:** Нивото на вибрациите при работа с електрическия инструмент може да се различава от обявената(ите) стойност(и) в зависимост от начина на използване на инструмента, по-специално какъв детайл се обработва.

**▲ ПРЕДУПРЕЖДЕНИЕ:** Задължително определете предпазни мерки за защита на оператора въз основа на оценка на риска в реални работни условия (като се вземат предвид всички етапи на работния цикъл, като например момента на изключване на инструмента, работата на празен ход, както и времето на задействане).

## ЕО декларация за съответствие

Само за европейските страни

ЕО декларацията за съответствие е включена като Анекс А към тази инструкция за употреба.

## ПРЕДУПРЕЖДЕНИЯ ЗА БЕЗОПАСНОСТ

### ВАЖНИ ИНСТРУКЦИИ ЗА БЕЗОПАСНОСТ

**▲ ПРЕДУПРЕЖДЕНИЕ:** Прочетете всички предупреждения за безопасност и всички инструкции. При неспазване на предупрежденията и инструкциите има опасност от токов удар, пожар и/или тежко нараняване.

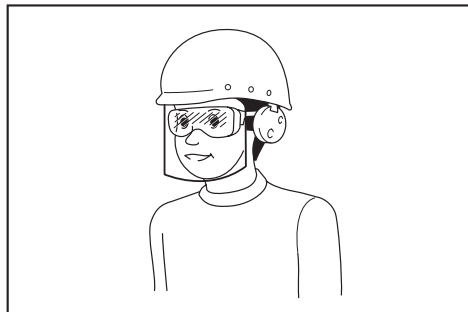
## Запазете всички предупреждения и инструкции за справка в бъдеще.

### Обучение

1. Прочетете инструкциите внимателно. Запознайте се с органите за управление и правилата за правилна експлоатация на косачката.
2. Никога не допускайте деца или лица, непознати с инструкциите, да използват косачката. Местните закони могат да предвиждат ограничения за възрастта на оператора.
3. Никога не работете с косачката в близост до хора, особено деца или домашни любимци.
4. Не забравяйте, че операторът/потребителят носи отговорност за инциденти или опасни ситуации с други лица или тяхната собственост.
5. Децата трябва да се наблюдават, за да не се допусне да си играят с уреда.
6. Физическо състояние – не работете с косачката, когато се намирате под въздействие на наркотици, алкохол или каквито и да е лекарства.

### Подготовка

1. Когато работите с косачката, винаги носете високи и солидни обувки и дълги панталони. Не работете с косачката боси или обути с открити сандали. Не носете свободно падащи дрехи или бижута, или такива с висящи верижки или връзки. Може да бъдат захванати от движещите се части.
2. Преди да започнете работа, винаги оглеждайте косачката за повредени, липсващи или разместени предпазители или щитове.
3. Преди да пристъпите към косене се уверете, че в зоната на косене няма други хора. Спрете косачката, ако някой влезе в зоната на косене.
4. Не поставяйте фиксиращия ключ в косачката, докато уредът не е напълно готов за експлоатация.
5. Когато използвате електрически инструменти, винаги носете защитни очила, за да предпазите очите си от нараняване. Очилата трябва да съответстват на ANSI Z87.1 в САЩ, EN 166 в Европа или AS/NZS 1336 в Австралия/Нова Зеландия. Освен това, в Австралия/Нова Зеландия има законово изискване за носене на маска за защита на лицето.



Работодателят е длъжен да наложи използването на подходящи предпазни средства от операторите на инструментите и всички лица, намиращи се непосредствено в работната зона.

6. Преди да пристъпите към работа, проверете внимателно за пукнатини или повреди по дисковете или болтовете им. Незабавно сменете напуканите или повредени дискове или болтове на дисковете.
7. Отстранете твърди предмети като камъни, тел, бутилки, кости и големи клонки от работния район преди косене, за да предотвратите нараняване или повреда на косачката.
8. Обекти, ударени от диска на косачката, могат да нанесат сериозни наранявания на хора. Тревната площ трябва винаги внимателно да се оглежда и почиства от всички обекти преди всяко косене.
9. Следете за дупки, коловози, неравности, камъни или други скрити предмети. При неравен терен е възможно да настъпят инциденти от хлъзване и падане. Високата трева може да крие препятствия.
10. Не поставяйте и не изваждайте фиксиращия ключ под дъжда.
11. Използвайте лични предпазни средства. Винаги носете предпазни средства за очите. Защитното оборудване като маска против прах, безопасни обувки, които не се пързалат, твърда шапка или защита против топлина, прилагани при подходящи условия, намаляват риска от нараняване.

### Работа

1. Не се пресягайте. Винаги пазете баланс. Винаги стъпвайте стабилно, когато сте на наклон. Ходете, никога не тичайте.
2. Спрете косачката, отстранете фиксиращия ключ и се уверете, че всички движещи се части са напълно спрели:
  - когато оставяте косачката,
  - преди почистване на блокиране или освобождаване на изходния ръкав;
  - преди проверка, почистване или работа по косачката,
  - след удар с външен предмет. Преди повторно пускане в ход и работа, проверете косачката за повреди и извършете необходимия ремонт,
  - когато косачката започне да вибрира необичайно.
3. Никога не работете с машина с дефектни предпазители или щитове или без поставени предпазни средства, например дефлектори и/или кошница за тревата.
4. Избягвайте да използвате косачката при лоши атмосферни условия, особено когато има риск от светкавици.
5. По всяко време на работа с косачката да се носят защитни средства за очите и здрави обувки.
6. Работете с косачката само на дневна светлина или на добро изкуствено осветление.
7. Внимателно включете двигателя съгласно инструкциите, като държите краката си далече от ножа(овете).
8. Вземете мерки срещу нараняване на краката и ръцете от диска на косачка.
9. Винаги проверявайте дали вентилационните отвори са чисти от замърсявания.



10. Косете наклонени тревни площи, като се придвижвате напречно, а не нагоре и надолу. Бъдете изключително внимателни, когато сменяте посоката при работа върху наклон. Не косете прекалено стръмни склонове.
  11. Бъдете изключително внимателни, когато обръщате посоката на движение или дърпате косачката към себе си.
  12. Спрете ножа(овете), ако косачката трябва да се наклони за транспортиране при пресичане на терен, различен от трева, и при транспортиране на косачката до и от зоната, на която ще се използва.
  13. Не накланяйте косачката при включване на двигателя освен ако тя не трябва да се наклони за стартиране. В този случай не я накланяйте повече от абсолютно необходимото и повдигайте само частта, която е отдалечена от оператора. Двете ви ръце винаги трябва да бъдат в работно положение, преди да поставите отново косачката на земята.
  14. Не поставяйте ръце или крака в близост до или под въртящи се части. Никога не заставайте пред изходния отвор.
  15. Не транспортирайте косачката, докато косачката е включена.
  16. Не работете с косачката в мокра трева.
  17. Винаги дръжте здраво ръкохватката.
  18. Когато вдигате или държите косачката, не я хващайте за подаващите се режещи ножове или режещи ръбове.
  19. Дръжте ръцете и краката си далеч от въртящите се ножове. Внимание – ножовете се движат по инерция след изключването на косачката.
  20. Ако забележите нещо необичайно, незабавно спрете работа. Изключете косачката и извадете фиксиращия ключ. След това проверете косачката.
  21. Никога не се опитвайте да регулирате височината на рязане, докато косачката работи, в случай, че косачката има функция за коригиране на височината на рязане.
  22. Освободете лоста на прекъсвача и изчакайте да спре въртенето на дисковете, преди да пресечете алеи, пътеки, пътища и покрити с чакъл участъци. Освен това, изваждайте фиксиращия ключ, когато оставяте косачката, пресягате се да вземете или премахнете предмети от пътя или поради други причини, които може да ви разсеят от работата.
  23. Ако косачката удари предмет, изпълнете следните стъпки:
    - Спрете косачката, освободете лоста на прекъсвача и изчакайте до пълното спиране на ножовете.
    - Извадете фиксиращия ключ и акумулаторната батерия.
    - Щателно проверете косачката за повреда.
    - Сменете ножа, ако е повреден по какъвто и да е начин. Ремонтирайте евентуални повреди, преди отново да стартирате и да продължите работа с косачката.
  24. Не стартирайте двигателя, когато стоите пред изходния ръкав.
  25. Ако косачката започне да вибрира ненормално (проверете незабавно)
    - проверете за повреди,
    - сменете или ремонтирайте всички повредени части;
    - проверете и затегнете разхлабени части.
  26. Никога не насочвайте изхвърляната трева към човек. Избягвайте насочването на изхвърляната трева към стена или препятствие. Окосената трева може да рикошира назад към оператора. Спрете диска, когато пресичате покрити с чакъл повърхности.
  27. Не дърпайте косачката назад, освен ако не е абсолютно необходимо. Когато се налага да върнете косачката поради ограда или друго подобно препятствие, погледнете надолу и назад, преди и докато движите машината назад.
  28. Спрете електромотора и преди да демонтирате приспособлението за хващане на трева, изчакайте, докато ножът спре напълно. Имайте предвид, че режещите инструменти продължават да се въртят и след като са били изключени.
  29. Когато използвате машината на глинеста почва, мокър склон или хлъзгава повърхност, внимавайте къде стъпвате.
  30. Избягвайте работи при лоши условия, които могат да доведат до повишена умора за потребителя.
  31. Не използвайте машината в лошо време с ограничена видимост. В противен случай това може да доведе до падане или неправилна работа поради намалена видимост.
  32. Не потапяйте машината в локви.
  33. Отстранявайте мокрите листа или замърсяванията полепнали към смукателната камера (вентилационния прозорец), когато вали дъжд.
  34. Не използвайте машината в сняг.
  35. Ако отрязаната трева е мокра, възможно е да се задръсти в машината. Редовно проверявайте състоянието на машината и отстранявайте полепналата трева, ако е необходимо.
  36. Когато използвате машината, внимавайте за тръбопроводи и кабели.
  37. С тази машина не използвайте захранване с кабел, например адаптер за акумулаторната батерия или преносим захранващ модул. Кабелът на такова захранване може да възпрепятства работата и да доведе до наранявания.
- Техническа поддръжка и съхранение**
1. За осигуряване на безопасност, сменете износените или повредени части. Използвайте само оригинални резервни части и принадлежности.
  2. Редовно проверявайте и поддържайте косачката.
  3. Когато не се използва, съхранявайте косачката извън обсега на деца.

4. За да сте сигурни, че оборудването е в добро работно състояние, поддържайте всички гайки, болтове и винтове здраво затегнати.
  5. Проверявайте често кошницата за трева за износване или влошено състояние. При съхранение винаги проверявайте дали кошницата за трева е празна. Сменете изношената кошница за трева с нова, фабрична, по съображения за безопасност.
  6. Използвайте само оригиналните ножове от производителя, посочени в настоящото ръководство.
  7. Внимавайте при настройка на косачката да не захванете пръстите си между движещите се ножове и неподвижните части на косачката.
  8. Периодично проверявайте дали свързващият болт е правилно затегнат.
  9. Винаги оставяйте косачката да се охлади преди съхранение.
  10. Когато обслужвате ножовете, имайте предвид, че макар електрозахранването да е изключено, ножовете все още могат да се движат.
  11. Никога не отстранявайте и не нарушавайте целостта на предпазните устройства. Проверявайте редовно тяхното правилно функциониране. Никога не правете нещо, което да попречи на функционирането по предназначение на някое от предпазните устройства или да понижи степента на защита, осигурявана от дадено предпазно устройство.
  12. Не оставяйте машината без наблюдение на открито под дъжда.
  13. Не мийте машината с вода с високо налягане.
  14. Когато миете машината, се уверете, че сте свързали батерията и фиксиращия ключ и сте затворили капака за акумулаторната батерия; изливайте водата към дъното на машината, където е прикрепен дискът.
  15. Когато съхранявате машината, избягвайте пряката слънчева светлина и дъжд и я съхранявайте на място, което не е горещо или влажно.
  16. Извършвайте проверка или техническо обслужване на място, където можете да избегнете дъжда.
  17. След използване на машината, отстранете поленпалите замърсявания и я подсушете напълно, преди да я приберете за съхранение. В зависимост от сезона или района съществува риск от неизправност поради замръзване.
2. Използвайте електрическите инструменти само с акумулаторни батерии, конкретно предназначени за тях. Използването на други акумулаторни батерии може да създаде риск от нараняване и пожар.
  3. Когато акумулаторните батерии не се използват, ги дръжте далеч от други метални предмети като кламери, монети, ключове, пирони, винтове или други дребни такива, които могат да дадат някъсо изводите им. Закъсяването на изводите на акумулаторна батерия може да предизвика изгаряния или пожар.
  4. При грубо манипулиране е възможно избхвърляне на течност от батерия; избягвайте контакт с тях. При случайно докосване изплакнете с вода. Ако течност попадне в очите, потърсете допълнително и медицинска помощ. Изхвърлената от батерията течност може да предизвика възпаления или изгаряния.
  5. Не използвайте батерията или инструмента, който е повреден или променен. Повредените или променените батерии могат да проявяват непредвидимо поведение, което може да доведе до пожар, експлозия или опасност от нараняване.
  6. Не излагайте батерията или инструмента на огън или прекомерна температура. Излагането на огън или температура над 130°C може да доведе до експлозия.
  7. Спазвайте всички инструкции за зареждане и не зареждайте батерията или инструмента извън диапазона на температура, посочен в инструкциите. Неправилното зареждане или при температура извън посочения диапазон може да доведе до повреда на батерията и да повиши опасността от пожар.

#### Безопасност при работа с електрически ток и акумулаторната батерия

1. Не изхвърляйте акумулаторната(ите) батерия(и) в огън. Клетките на батерията могат да експлодират. Проверете местните разпоредби за евентуални специални инструкции за унищожаване.
2. Не отваряйте или повреждайте акумулаторната батерия(и). Изтичащият електролит има разяждащо действие и може да увреди очите или кожата. Може да бъде токсичен при поглъщане.
3. Не зареждайте батерията под дъжд или на влажни места.
4. Не зареждайте акумулаторната батерия на открито.
5. Не хващайте зарядното устройство, включително щепсела и изводите му, с мокри ръце.
6. Не сменяйте батерията, когато вали.
7. Не мокрете клемите на батерията с течности, например с вода, и не потапяйте батерията. Не оставяйте батерията под дъжда и не зареждайте, не използвайте и не съхранявайте батерията на влажно или мокро място. Ако клемата се намокри или в батерията попадне течност, може да се получи късо съединение и съществува риск от прегряване, пожар или експлозия.

#### Ползване и грижа за акумулаторните батерии

1. Презареждайте само със зарядното устройство, което е посочено от производителя. Зарядно устройство, което е подходящо за едни акумулаторни батерии, може да създаде риск от пожар, ако се използва с други акумулаторни батерии.

8. След като извадите батерията от машината или зарядното устройство, уверете се, че сте сложили капака на батерията и я съхранявайте на сухо място.
9. Не сменяйте батерията с мокри ръце.

#### Сервизно обслужване

1. Дайте вашия електрически инструмент за сервизно обслужване от квалифициран техник, който ползва само оригинални резервни части. Така ще осигурите поддържането на безопасността на електрическия инструмент.
2. Никога не обслужвайте повредени батерии. Обслужването на батерии трябва да се извършва само от производителя или упълномощени фирми за обслужване.

## ЗАПАЗЕТЕ НАСТОЯЩИТЕ ИНСТРУКЦИИ.

**▲ПРЕДУПРЕЖДЕНИЕ:** НЕ позволявайте комфорта от познаването на продукта (придобит при дългата му употреба) да замени стриктното спазване на правилата за безопасност за въпросния продукт.

**НЕПРАВИЛНАТА УПОТРЕБА** и неспазването на правилата за безопасност, посочени в настоящото ръководство за експлоатация, може да доведе до тежки наранявания.

### Важни инструкции за безопасност за акумулаторната батерия

1. Преди да използвате акумулаторната батерия, прочетете всички инструкции и предупредителни маркировки на (1) зарядното устройство за батериите, (2) за батериите и (3) за използващия батериите продукт.
2. Не разглобявайте и не променяйте акумулаторната батерия. Това може да предизвика пожар, прегряване или взрив.
3. Ако мощността на машината намалее много, веднага спрете да работите. Това може да доведе до риск от прегряване, до възможни изгаряния и даже до експлозии.
4. Ако в очите ви попадне електролит, изплакнете ги с чиста вода и веднага потърсете лекарска помощ. Това може да доведе до загуба на зрението ви.
5. Не давайте на късо акумулаторните батерии:
  - (1) Не докосвайте клемите с проводими материали.
  - (2) Избягвайте съхраняването на акумулаторните батерии в контейнер с други метални предмети като пирони, монети и други подобни.
  - (3) Не излагайте акумулаторните батерии на вода или дъжд.
 Закъсяването на акумулаторна батерия може да доведе до протичане на много силен ток, до прегряване, до възможни изгаряния и даже до разпадане на батерията.
6. Не съхранявайте и не използвайте инструмента и акумулаторните батерии на места, където температурата може да достигне или надмине 50 °C (122 °F).
7. Не изгаряйте акумулаторните батерии даже и ако те са сериозно повредени или напълно износени. Акумулаторната батерия може да експлодира в огън.
8. Не забивайте пирони, не режете, не смачквайте, не хвърляйте, не изпускайте и не удряйте в твърд предмет акумулаторната батерия. Това поведение може да предизвика пожар, прегряване или взрив.
9. Не използвайте повредени акумулаторни батерии.
10. Съдържащите се литиево-йонни акумулаторни батерии са обект на изискванията на законодателството за опасни стоки. При търговски превози, напр. от трети страни, следитори, трябва да се спазват специални изисквания за опаковане и етикетирание. За подготовка на артикула, който трябва да бъде изпратен, е необходима консултация с експерт по опасните материали. Моля, спазвайте и евентуално по-подробните национални разпоредби.
 

Залепете с лента или покрийте откритите контакти и опаковайте акумулаторната батерия по такъв начин, че да не може да се премества в опаковката.
11. При изхвърляне на акумулаторната батерия я извадете от инструмента и я изхвърлете на подходящо място. Спазвайте местните разпоредби за изхвърляне на акумулаторни батерии.
12. Използвайте батериите само с продуктите, определени от Makita. Поставянето на батериите към неодобрени продукти може да предизвика пожар, прегряване, взрив или изтичане на електролит.
13. Ако инструментът няма да се използва продължително време, батерията трябва да се извади от него.
14. По време на и след употреба акумулаторната батерия може да поеме топлина, която може да причини изгаряния или нискотемпературни изгаряния. Внимавайте, когато боравите с горещите акумулаторни батерии.
15. Не докосвайте клемата на инструмента веднага след употреба, тъй като е възможно да е достатъчно нагрята, за да предизвика изгаряния.
16. Не позволявайте стружки, прах или почва да полепват по клемите, отворите и каналите на акумулаторната батерия. Това може да доведе до лоши работни характеристики или повреда на инструмента или акумулаторната батерия.
17. Освен ако инструментът поддържа използването в близост до високоволтови електропроводи, не използвайте акумулаторната батерия близо до високоволтови електропроводи. Това може да доведе до неизправност или повреда на инструмента или акумулаторната батерия.
18. Пазете батерията от деца.

## ЗАПАЗЕТЕ НАСТОЯЩИТЕ ИНСТРУКЦИИ.

**⚠ВНИМАНИЕ:** Използвайте само оригинални акумулаторни батерии на Makita. При използване на различни от акумулаторните батерии на Makita или стари акумулаторни батерии може да се получи пръскане на акумулаторната батерия, което да доведе до пожар, нараняване или повреда. Това също ще анулира гаранцията на Makita за инструмента и зарядното устройство Makita.

## Съвети за поддържане на максимално дълъг живот на акумулаторните батерии

1. Зареждайте акумулаторните батерии, преди те да са се разреждали напълно. Когато забележите, че мощността на инструмента намалява, винаги спирайте работата с инструмента и заредете акумулаторната батерия.
2. Никога не презареждайте напълно заредена акумулаторна батерия. Презарядът скъсява експлоатационния живот на батерията.
3. Зареждайте акумулаторната батерия при стайна температура от 10 °C – 40 °C (50 °F – 104 °F). Оставете загретите акумулаторни батерии да се охладят, преди да ги зареждате.
4. Когато не използвате акумулаторната батерия, извадете я от инструмента или зарядното устройство.
5. Заредете акумулаторната батерия, ако не сте го използвали дълъг период от време (повече от шест месеца).

## СГЛОБЯВАНЕ

**⚠ПРЕДУПРЕЖДЕНИЕ:** Винаги проверявайте дали деблокиращият ключ и акумулаторната батерия са отстранени, преди да извършвате каквато и да е дейност по косачката. Ако не отстраните деблокиращия ключ и акумулаторната батерия, може да се получи тежко нараняване поради инцидентно стартиране.

**⚠ПРЕДУПРЕЖДЕНИЕ:** Никога не стартирайте косачката, ако не е напълно сглобена. Работата на машината в частично сглобено състояние може да доведе до тежки наранявания поради случайно стартиране.

## Монтиране на ръкохватката

**БЕЛЕЖКА:** Когато монтирате ръкохватки, разполагайте кабелите така, че да не бъдат захванати между ръкохватките. Ако кабелът се повреди, косачката може да не работи.

1. Подравнете отворите в долната ръкохватка с тези на корпуса на косачката и след това временно затегнете 4 болта.  
► **Фиг.1:** 1. Долна ръкохватка 2. Болт

2. Затегнете добре 4-те болта, които са временно затегнати в стъпка 1, като използвате затворен гаечен ключ 13.

3. Подравнете отвора в долната ръкохватка с отвора в горната ръкохватка, след това поставете болта от вътрешната страна и затегнете гайката от външната страна със затворен гаечен ключ 13. Изпълнете същата процедура от другата страна.  
► **Фиг.2:** 1. Болт 2. Долна ръкохватка 3. Гайка 4. Отвор 5. Горна ръкохватка

**⚠ВНИМАНИЕ:** Задръжте горната ръкохватка здраво, така че да не пада от ръката ви. В противен случай тя може да падне и това да доведе до нараняване.

4. Закрепете държачите на ръкохватката.

Подравнете изпъкналостите на държача с отворите на ръкохватката така, че изпъкналостите да попаднат в отворите. Поставете кабелите, както е показано на фигурата.

► **Фиг.3:** 1. Кабел 2. Държач

## Сваляне на приставката за мулчиране

1. Отворете задния капак.

► **Фиг.4:** 1. Заден капак

2. Свалете приставката за мулчиране, докато натискате лоста надолу.

► **Фиг.5:** 1. Лост 2. Приставка за мулчиране

## Монтиране или сваляне на кошницата за трева

За да монтирате кошницата за трева, следвайте стъпките по-долу.

1. Отворете задния капак.

► **Фиг.6:** 1. Заден капак

2. Хванете ръкохватката на кошницата за трева и след това окачете кошницата за трева на задвижващата щанга на корпуса на косачката, както е показано на фигурата.

► **Фиг.7:** 1. Задвижваща щанга 2. Ръкохватка 3. Кошница за трева

За да свалите кошницата за трева, отворете задния капак и извадете кошницата за трева, като я държите за ръкохватката.

## Монтиране на приставката за мулчиране

1. Отворете задния капак и извадете кошницата за трева.

► **Фиг.8:** 1. Заден капак 2. Кошница за трева

2. Закрепете приставката за мулчиране, докато държите лоста натиснат надолу, а след това отпуснете лоста, за да заключите приставката за мулчиране.

► **Фиг.9:** 1. Лост 2. Приставка за мулчиране

## Закрепване на приставката за изпраждане

### За DLM530/DLM532

1. Отворете задния капак и извадете кошницата за трева.

► **Фиг.10:** 1. Заден капак 2. Кошница за трева

2. Закрепете приставката за мулчиране, докато държите лоста натиснат надолу, а след това отпуснете лоста, за да заключите приставката за мулчиране.

► **Фиг.11:** 1. Лост 2. Приставка за мулчиране

3. Отворете капака от дясната страна и след това закрепете приставката за изпраждане.

Вмъкнете кукиче на приставката за изпраждане под задвижващата щанга на капака от дясната страна.

► **Фиг.12:** 1. Капак от дясната страна 2. Приставка за изпраждане

## ОПИСАНИЕ НА ФУНКЦИИТЕ

### Поставяне и изваждане на акумулаторната батерия

**⚠ВНИМАНИЕ:** Винаги изключвайте машината преди поставяне или изваждане на акумулаторната батерия.

**⚠ВНИМАНИЕ:** Когато поставяте или изваждате акумулаторната батерия, дръжте здраво машината и акумулаторната батерия. Ако не държите здраво машината и акумулаторната батерия, те могат да се изплъзнат от ръцете Ви и да се повредят или да предизвикат нараняване.

**⚠ВНИМАНИЕ:** Преди употреба проверявайте дали сте заключили капака на акумулатора. В противен случай кал, мръсотия или вода може да повредят продукта или акумулаторната батерия.

**⚠ВНИМАНИЕ:** Винаги поставяйте акумулаторната батерия докрай, така че червеният индикатор да не се вижда. В противен случай акумулаторната батерия може да изпадне случайно от машината, да Ви нарани или да нарани някого около Вас.

**⚠ВНИМАНИЕ:** Не инсталирайте акумулаторната батерия със сила. Ако батерията не се движи свободно, тя не е била поставена правилно.

**ЗАБЕЛЕЖКА:** Машината не работи само с една акумулаторна батерия.

### За да поставите акумулаторната батерия;

1. Издърпайте нагоре блокиращия лост и след това отворете капака на батерията.

► **Фиг.13:** 1. Капак на акумулатора 2. Блокиращ лост

2. Изравнете езика на акумулаторната батерия с прореза на машината и плъзнете акумулаторната батерия, докато се фиксира на място с леко щракване.

► **Фиг.14:** (1) Порт за батерия 1 (2) Порт за батерия 2 (3) Акумулаторна батерия

**ЗАБЕЛЕЖКА:** Монтирайте поне 2 акумулаторни батерии към порт за батерия 1 или порт за батерия 2.

3. Поставете деблокиращия ключ на мястото му, докато стигне, както е показано на фигурата.

► **Фиг.15:** 1. Деблокиращ ключ

4. Затворете капака на акумулатора и го натискайте, докато се заключи с деблокиращото лостче.

### За да извадите акумулаторната батерия;

1. Издърпайте нагоре блокиращия лост и отворете капака на батерията.

2. Издърпайте акумулаторната батерия навън от машината, като плъзнете бутона в предната част на батерията.

3. Извадете деблокиращия ключ.

4. Затворете капака на акумулатора.

### Превключване на акумулаторните батерии

► **Фиг.16:** 1. Превключвател за избор на батерия

При работа машината използва едновременно 2 акумулаторни батерии. На машината могат да бъдат монтирани до 4 акумулаторни батерии. Преди да използвате машината, изберете порт за батерия 1 или порт за батерия 2, като завъртите превключвателя за избор на батерия.

**ЗАБЕЛЕЖКА:** Ако на машината са монтирани само 2 акумулаторни батерии, уверете се, че с превключвателя за избор на батерия сте избрали порта за батерия, към който са монтирани акумулаторните батерии.

### Предпазна система на машината/ акумулаторната батерия

Машината е снабдена със система за защита на машината/акумулаторната батерия. Тази система автоматично прекъсва захранването към електромотора, за да осигури по-дълъг живот на машината и акумулаторната батерия. Машината ще спре автоматично по време на работа, ако тя или батерията се намират в едно от следните състояния:

### Защита срещу претоварване

Когато с батерията се работи по начин, който я принуждава да консумира необичайно много ток, машината автоматично спира и главният светлинен индикатор за захранване започва да мига в зелено. В този случай изключете машината и преустановете приложението, което я претоварва. След това включете машината за повторно стартиране.

## Защита срещу прегоряване

Ако машината или акумулаторната батерия прегреят, машината автоматично спира да работи и главният светлинен индикатор за захранването започва да мига в червено. В този случай оставете машината и акумулаторната батерия да изстинат, преди да включите машината отново.

## Защита срещу прекомерно разреждане

Когато капацитетът на акумулаторната батерия не е достатъчен, машината автоматично спира да работи и главният светлинен индикатор за захранването започва да мига в червено. В такъв случай, извадете батерията от машината и заредете акумулаторната батерия или я сменете с напълно заредена.

### Индикация на оставащия капацитет на акумулаторната батерия

Само за акумулаторни батерии с индикатор

► Фиг.17: 1. Светлинни индикатори 2. Бутон за проверка

Натиснете бутона за проверка на акумулаторната батерия за показване на оставащия заряд на батерията. Светлинните индикатори ще светнат за няколко секунди.

Светлинни индикатори			Оставащ заряд на батерията
Свети	Изкл.	Мига	
			75% до 100%
			50% до 75%
			25% до 50%
			0% до 25%
			Заредете батерията.
			Батерията може да не работи правилно.

**ЗАБЕЛЕЖКА:** В зависимост от условията на употреба и околната температура е възможно показанията леко да се различават от действителния капацитет.

### Пулт за управление

В пулта за управление се намират главният превключвател на захранването, бутонът за превключване на режимите и индикаторът за оставащия капацитет на акумулаторната батерията.

► Фиг.18: 1. Индикатор за батерията 2. Индикатор за превключване на режимите 3. Главен светлинен индикатор за захранването 4. Бутон за проверка 5. Бутон за превключване на режимите 6. Главен превключвател за захранването

## Главен превключвател за захранването

**▲ПРЕДУПРЕЖДЕНИЕ:** Винаги изключвайте главния превключвател на захранването, когато не го използвате.

За да включите машината, натиснете главния превключвател на захранването. Главният светлинен индикатор за захранването светва в зелено. За да изключите машината, натиснете отново главния превключвател на захранването.

**ЗАБЕЛЕЖКА:** Ако главният светлинен индикатор за захранването светне в червено или мига в червено, направете справка в инструкциите за системата за защита на машината/батерията.

**ЗАБЕЛЕЖКА:** Тази машина използва функцията за автоматично изключване на захранването. За да избегнете неволно стартиране, главният превключвател на захранването ще се изключи автоматично, когато лостът на прекъсвача и управляващият лост (ако има) не бъдат натиснати в продължение на определен период от време след включване на главния превключвател на захранването.

## Бутон за превключване на режимите

Можете да превключите режима на работа, като натиснете бутона за превключване на режимите. Когато машината е включена, тя се стартира в нормален режим. Когато натиснете бутона за превключване на режимите, машината преминава в режим на намаляване на шума и индикаторът за превключване на режимите светва в зелено. В режим на намаляване на шума можете да намалите шума при косене. Когато натиснете отново бутона за превключване на режимите, машината се връща в нормален режим.

## Индикация на оставащия капацитет на акумулаторната батерия

Натиснете бутона за проверка за показване на оставащия заряд на батерията. Индикаторите за батерията съответстват на всяка от акумулаторните батерии.

Състояние на индикатора на акумулаторната батерия		Оставащ капацитет на акумулаторната батерия
Вкл.	Изкл.	
		50% – 100%
		20% – 50%
		0% – 20%

**ЗАБЕЛЕЖКА:** Светлинните индикатори за оставащия капацитет на акумулаторната батерия са само за справка. Действителният капацитет на акумулаторната батерия може да се различава в зависимост от условията на употреба.

**ЗАБЕЛЕЖКА:** Преди да натиснете бутона за проверка за показване на оставащия капацитет на акумулаторните батерии, спрете машината.

## Включване

**▲ ПРЕДУПРЕЖДЕНИЕ:** Преди поставянето на акумулаторната батерия, винаги проверявайте дали лостът на прекъсвача се задейства правилно и се връща в първоначална позиция при освобождаване. Работа с машината с прекъсвач, който не функционира правилно, може да доведе до загуба на контрол и до сериозно телесно нараняване.

**ЗАБЕЛЕЖКА:** Косачката не стартира без натискане на включващия бутон, дори ако лостът на прекъсвача е изтеглен.

**ЗАБЕЛЕЖКА:** Косачката може да се стартира в следствие на претоварване при опит за косене на дълга или гъста трева. В този случай увеличете височината на косене.

Тази косачка е оборудвана с фиксиращ ключ и ръкохватка с ключ. Ако забележите нещо необичайно с фиксиращия ключ или с ръкохватката с ключ, незабавно спрете работа и занесете машината в най-близкия оторизиран сервизен център на Makita, за да ги проверят.

### За DLM462/DLM532

1. Поставете акумулаторните батерии. Поставете фиксиращия ключ и след това затворете капака на батерията.
2. Изберете акумулаторните батерии, които да се използват за работа, като завъртите превключвателя за избор на батерия.
3. Натиснете главния превключвател на захранването.
4. Дръпнете лоста на прекъсвача към себе си, като държите натиснат включващия бутон. Освободете включващия бутон, веднага щом двигателят се стартира.  
► **Фиг.19:** 1. Включващ бутон 2. Лост на прекъсвача

**ЗАБЕЛЕЖКА:** Ако фиксиращият ключ не е поставен, светлинният индикатор на захранването мига в зелено, когато дръпнете лоста на прекъсвача.

5. Като държите лоста на прекъсвача, натиснете управляващия лост напред и го задръжте, за да задвижите задните колела.  
► **Фиг.20:** 1. Управляващ лост

**ЗАБЕЛЕЖКА:** Можете да задвижите задните колела, като натиснете управляващия лост напред и го задръжте, без да дърпате лоста на прекъсвача.

6. Освободете управляващия лост и лоста на прекъсвача, за да спрете машината.

### За DLM530

1. Поставете акумулаторните батерии. Поставете фиксиращия ключ и след това затворете капака на батерията.
2. Изберете акумулаторните батерии, които да се използват за работа, като завъртите превключвателя за избор на батерия.
3. Натиснете главния превключвател на захранването.
4. Дръпнете лоста на прекъсвача към себе си, като държите натиснат включващия бутон. Освободете включващия бутон, веднага щом двигателят се стартира.  
► **Фиг.21:** 1. Включващ бутон 2. Лост на прекъсвача

**ЗАБЕЛЕЖКА:** Ако фиксиращият ключ не е поставен, светлинният индикатор на захранването мига в зелено, когато дръпнете лоста на прекъсвача.

5. За спиране на двигателя отпуснете лоста на прекъсвача.

## Регулиране на височината на косене

**▲ ПРЕДУПРЕЖДЕНИЕ:** Никога не поставяйте ръце или крака под тялото на косачката, когато регулирате височината на косене.

**▲ ПРЕДУПРЕЖДЕНИЕ:** Винаги проверявайте дали лостът се фиксира добре в жлеба преди работа.

Височината на косене може да се настройва в диапазона между 20 мм и 100 мм.

Извадете фиксиращия ключ и след това издърпайте лоста за регулиране на височината на косене извън корпуса на косачката и го преместете до желаната от вас височина на косене.

- **Фиг.22:** 1. Лост за регулиране на височината на косене

В таблицата по-долу е показана зависимостта между числото на корпуса на косачката и приблизителната височина на косене.

Число	Височина на косене
1	20 мм
2	26 мм
3	32 мм
4	39 мм
5	47 мм
6	55 мм
7	63 мм
8	74 мм
9	86 мм
10	100 мм

Дръжте предната дръжка или долната ръкохватка с една ръка, а с другата ръка преместете лоста за регулиране на височината на косене.

- **Фиг.23:** 1. Лост за регулиране на височината на косене 2. Долна ръкохватка 3. Предна дръжка

**ЗАБЕЛЕЖКА:** Цифрите за височина на косене са само справочни. В зависимост от условията на тревната площ или земята, височината на косене може да се различава малко от зададената височина.

**ЗАБЕЛЕЖКА:** Изпробвайте регулировката с тестово окосяване на не много видимо място, за да получите желаната височина.

## Индикатор за нивото на тревата

Индикаторът за нивото на тревата показва обема на събраната трева. Когато кошницата за трева не е пълна, индикаторът се движи, докато дисковете се въртят.

► **Фиг.24:** 1. Индикатор за нивото на тревата

Когато кошницата за трева е почти пълна, индикаторът не се движи, докато дисковете се въртят. В този случай веднага спрете работа и изпразнете кошницата.

► **Фиг.25:** 1. Индикатор за нивото на тревата

**ЗАБЕЛЕЖКА:** Този индикатор е само груб ориентир. В зависимост от условията вътре в кошницата, този индикатор може да не функционира правилно.

## Регулиране на височината на ръкохватката

**⚠ВНИМАНИЕ:** Преди да поставите болтовете, хванете здраво горната ръкохватка. В противен случай тя може да падне и това да доведе до нараняване.

Височината на ръкохватката може да се регулира на две нива.

1. Отстранете горните болтове на долната ръкохватка, като използвате затворен гаечен ключ 13, и след това разхлабете долните болтове.

► **Фиг.26:** 1. Горен болт 2. Долен болт

2. Регулирайте височината на ръкохватката и след това затегнете добре горните и долните болтове.

## Регулиране на скоростта на движение

За DLM462/DLM532

► **Фиг.27:** 1. Лост за скоростта

Скоростта на движение може да се регулира с лоста за скоростта. За да намалите скоростта, издърпайте лоста към себе си, а за да я увеличите, натиснете лоста напред.

## Използване на приставка за мулчиране

Приставката за мулчиране ви дава възможност да връщате окосената трева на земята, без да я събирате в кошницата за трева. Когато използвате приставка за мулчиране с машината, трябва да свалите кошницата за трева.

**БЕЛЕЖКА:** Когато използвате машината с приставката за мулчиране, уверете се, че цялата височина на тревата след окосяване е 30 мм или повече, и височината на косене е 15 мм или по-малко.

► **Фиг.28:** (1) 30 мм или повече (2) 15 мм или по-малко

## Използване на приставка за изпразване

За DLM530/DLM532

Приставката за изпразване ви дава възможност да изхвърляте окосената трева на земята от дясната страна на машината, без да я събирате в кошницата за трева. Когато използвате приставката за изпразване с машината, не забравяйте да монтирате приставката за мулчиране и да свалите кошницата за трева.

## Електронна функция

Машината е оборудвана с електронни функции за лесно управление.

- Управление за постоянна скорост на въртене на диска  
Електронно управление на скоростта за постигане на постоянна скорост на рязане. Възможност за фина обработка на повърхност, защото непрекъснато се поддържа равномерна скорост на въртене дори при натоварване.
- Плавно стартиране при движение  
Функцията за плавно стартиране намалява до минимум тласъка при пускане и прави стартирането на машината по-плавно.
- Електрическа спирачка  
Тази машина е оборудвана с електрическа спирачка. Ако машината неколкократно не успява да спре бързо дисковете на косачката след освобождаване на лоста на прекъсвача, занесете машината за извършване на техническо обслужване в упълномощен сервизен център на Makita.

## Експлоатация

### Косене

**⚠ПРЕДУПРЕЖДЕНИЕ:** Преди да пристъпите към косене, разчистете всички пръчки и камъни от тревната площ, която ще косите. Освен това разчистете предварително плевелите от площта за косене, ако има такива.

**⚠ПРЕДУПРЕЖДЕНИЕ:** Винаги носете предпазни очила със странични екрани, когато работите с косачката.

**⚠ВНИМАНИЕ:** Ако в корпуса на косачката заседнат отрязана трева или чужди предмети, преди да ги отстраните, се уверете, че сте извадили фиксиращия ключ и акумулаторната батерия и сте сложили ръкавици.



**БЕЛЕЖКА:** Използвайте тази машина само за косене на тревни площи. Не косете плевели с нея.

► Фиг.29

Дръжте здраво ръкохватката с две ръце, когато косите. Ориентировъчната скорост на косене е приблизително 7 до 14 метра за 10 секунди.

► Фиг.30

Централните линии на предните колела са ориентир за ширината на косене. Използвайте централните линии като ориентир, косете на ленти. Припокривайте половината до една трета от предходната лента, за да окосите тревната площ равномерно.

► Фиг.31: 1. Ширина на косене 2. Зона на припокриване 3. Централна линия

Променяйте всеки път посоката на косене, за да предотвратите образуването на зърниста структура на тревата само в една посока.

► Фиг.32

Периодично проверявайте окосената трева, която се намира в кошницата за трева. Изпразвайте тревата, преди тя да се напълни. Преди всяка периодична проверка не пропускайте да спрете косачката и да отстраните деблокиращия ключ и акумулаторната батерия.

**БЕЛЕЖКА:** Използването на косачката за трева с пълна кошница за трева пречи на плавното въртене на ножа и допълнително натоварва двигателя, което може да доведе до авария.

## Косене на тревна площ с висока трева

Не опитвайте да окосите висока трева на едно минаване. Направете го на няколко пъти. Между отделните окосявания оставяйте ден или два, докато тревата стане еднакво къса.

► Фиг.33

**ЗАБЕЛЕЖКА:** Косенето на висока трева много късо на едно минаване може да доведе до загиване на тревата. Отрязаната трева може също да заседне в тялото на косачката.

## Изпразване на кошницата за трева

**▲ ПРЕДУПРЕЖДЕНИЕ:** За да намалите опасността от инциденти, редовно проверявайте кошницата за трева за повреди или отслабване. Ако е необходимо, сменете кошницата за трева.

1. Освободете лоста на прекъсвача и управляващия лост (при DLM462/DLM532) или освободете лоста на прекъсвача (при DLM530).

2. Отстранете деблокиращия ключ.

3. Отворете задния капак и извадете кошницата за трева, като я държите за ръкохватката.

► Фиг.34: 1. Заден капак 2. Дръжка 3. Кошница за трева

4. Изпразнете кошницата за трева.

## ПОДДРЪЖКА

**▲ ПРЕДУПРЕЖДЕНИЕ:** Винаги проверявайте дали фиксиращият ключ и акумулаторната батерия са извадени от косачката преди съхранение или пренасяне на косачката, или преди да пристъпите към проверка или техническо обслужване.

**▲ ПРЕДУПРЕЖДЕНИЕ:** Винаги изваждайте деблокиращият ключ, когато косачката не се използва. Съхранявайте деблокиращия ключ на недостъпно за деца място.

**▲ ПРЕДУПРЕЖДЕНИЕ:** Носете предпазни ръкавици при извършване на проверка или техническо обслужване.

**▲ ПРЕДУПРЕЖДЕНИЕ:** Винаги носете предпазни очила със странични протектори, когато извършвате проверка или техническо обслужване.

**БЕЛЕЖКА:** Не използвайте бензин, нафта, разреждател, спирт и др. подобни. Това може да причини обезцветяване, деформация или пукнатини.

За да се поддържа БЕЗОПАСНОСТТА и НАДЕЖДНОСТТА на продукта, ремонтите, поддръжката или регулирането трябва да се извършват от упълномощен сервиз или фабрични сервизни центрове на Makita, като винаги трябва да използвате резервни части от Makita.

## Техническо обслужване

1. Извадете фиксиращия ключ и акумулаторната батерия и след това затворете капака на батерията.

2. Поставете косачката настрани, така че лостът за регулиране на височината на косене да е от горната страна. Почистете късчетата трева, които са се натрупали по долната страна на платформата на косачката.

3. Изливайте вода към дъното на машината, където е прикрепен дискът.

**БЕЛЕЖКА:** Не мийте машината с вода с високо налягане.

4. Проверете степента на затягане на всички гайки, болтове, винтове и др.

5. Проверете движещите се части за повреди, счупвания или износване. Повредените или липсващите части трябва да се ремонтират или сменят.

6. Съхранявайте косачката на безопасно, недостъпно за деца място.

**За DLM462/DLM532**

**БЕЛЕЖКА:** Не наливайте вода в зоната, показана на фигурата. Наливането на вода в моторния блок може да доведе до неизправност на машината.

► Фиг.35: 1. Зона, където не трябва да се налива вода

## Носене на косачката

При пренасяне на косачката двама души трябва да я хванат за предната и задната дръжка, както е показано на фигурата.

► **Фиг.36:** 1. Предна дръжка 2. Задна дръжка

## Съхранение

Съхранявайте косачката в хладно, сухо и заключено помещение. Не съхранявайте косачката и зареждащото устройство на места, където температурата може да достигне или превиши 40 °С.

## Демонтиране и монтиране на диска на косачката

**▲ ПРЕДУПРЕЖДЕНИЕ:** Ножът се върти по инерция няколко секунди след освобождаване на ключа. Не започвайте никаква работа, докато ножът не спре напълно.

**▲ ПРЕДУПРЕЖДЕНИЕ:** Когато демонтирате или монтирайте ножа, винаги отстранявайте деблокиращия ключ и акумулаторната батерия. Ако не отстраните деблокиращия ключ и акумулаторната батерия, може да се получи тежко нараняване.

**▲ ПРЕДУПРЕЖДЕНИЕ:** Винаги носете ръкавици, когато боравите с ножа.

## Сваляне на диска на косачката

### При модели, оборудвани с прав диск на косачка

1. Поставете косачката настрани, така че лостът за регулиране на височината на косене да е от горната страна.

2. За заключване на диска вкарайте щифта в отвор в корпуса на косачката.

3. Въртете болта обратно на часовниковата стрелка със затворен гаечен ключ 17.

► **Фиг.37:** 1. Диск на косачката 2. Щифт 3. Затворен гаечен ключ

4. Свалете болта и след това диска на косачката.

► **Фиг.38:** 1. Опора на диска 2. Диск на косачката 3. Болт 4. Изпъкналост

**БЕЛЕЖКА:** При монтиране на диска на косачката се уверете, че изпъкналостите на опората на диска попадат в отворите на диска на косачката.

### При модели, оборудвани с диск на косачка с връщащи се назад дискове

1. Поставете косачката настрани, така че лостът за регулиране на височината на косене да е от горната страна.

2. За да заключите основната плоча, поставете щифта в отвор на корпуса на косачката през отвор на основната плоча.

3. Въртете болта обратно на часовниковата стрелка със затворен гаечен ключ 17.

► **Фиг.39:** 1. Щифт 2. Основна плоча 3. Затворен гаечен ключ

4. Отстранете болта и след това основната плоча.

► **Фиг.40:** 1. Опора на диска 2. Основна плоча 3. Болт 4. Изпъкналост

**БЕЛЕЖКА:** При монтиране на дисковете на косачката се уверете, че изпъкналостите на опората на диска попадат в отворите на основната плоча.

5. За да свалите отделен диск на косачката, завъртете болта обратно на часовниковата стрелка с помощта на затворен гаечен ключ 17, докато дръжките основната плоча.

► **Фиг.41:** 1. Основна плоча 2. Диск на косачка 3. Затворен гаечен ключ

6. Свалете гайката, шайбата, пружинната шайба, диска на косачката и болта в този ред.

► **Фиг.42:** 1. Отвор за болт 2. Болт 3. Диск на косачката 4. Пружинна шайба 5. Шайба 6. Гайка

**БЕЛЕЖКА:** При затягане на гайките за монтиране на отделните дискове на косачката приложете момент на затягане 30 N·m.

**БЕЛЕЖКА:** При монтиране на отделен диск на косачката се уверете, че сте поставили пружинната шайба в посоката, показана на фигурата.

**БЕЛЕЖКА:** При монтиране на отделен диск на косачката се уверете, че сте поставили болтовете в отворите за болтове, показани на фигурата.

## Монтиране на диска на косачката

**▲ ПРЕДУПРЕЖДЕНИЕ:** Монтирайте внимателно диска на косачката. Той има горна и долна страна.

**▲ ПРЕДУПРЕЖДЕНИЕ:** Затегнете здраво болта по часовниковата стрелка, за да закрепите ножа.

**▲ ПРЕДУПРЕЖДЕНИЕ:** Уверете се, че дискът на косачката и всички закрепващи части са монтирани правилно и затегнати здраво.

**▲ ПРЕДУПРЕЖДЕНИЕ:** Когато сменят ножове, винаги следвайте посочените в това ръководство инструкции.

**БЕЛЕЖКА:** След монтиране на дисковете на косачката отстранете щифта от корпуса на косачката.

За да монтирате дисковете на косачката, изпълнете процедурата за сваляне в обратния ред.

# ОТСТРАНЯВАНЕ НА НЕИЗПРАВНОСТИ

Преди да заявите ремонт, сами извършете проверка. Ако откриете проблем, който не е обяснен в ръководството, не се опитвайте да разглобявате машината. Вместо това го занесете в някой от оторизирани сервиси на Makita, които винаги използват за ремонтите резервни части от Makita.

Състояние на неизправност	Възможно причина (неизправност)	Мерки за отстраняване
Косачката не стартира.	Не са поставени две акумулаторни батерии.	Поставете две заредени акумулаторни батерии.
	Проблем с батерията (ниско напрежение)	Заредете акумулаторната батерия. Ако зареждането не е ефективно, сменете акумулаторната батерия.
	Не е вкаран деблокиращият ключ.	Вкарайте деблокиращия ключ.
След кратко използване, двигателят спира да работи.	Превключвателят за избор на батерия не е в правилната позиция.	Изберете порта за батерията, към която са поставени акумулаторните батерии, като използвате превключвателя за избор на батерия.
	Нивото на заряда на акумулаторната батерия е ниско.	Заредете акумулаторната батерия. Ако зареждането не е ефективно, сменете акумулаторната батерия.
	Височината на рязане е прекалено малка.	Увеличете височината на рязане.
Двигателят не може да достигне максималните обороти.	Отрязаната трева е заседнала в косачката.	Отстранете заседналата трева от косачката.
	Акумулаторната батерия е поставена неправилно.	Поставете акумулаторната батерия, както е описано в настоящото ръководство.
	Енергията на батерията спада.	Заредете акумулаторната батерия. Ако зареждането не е ефективно, сменете акумулаторната батерия.
Дискът на косачката не се върти: ⇒ спрете веднага косачката!	Задвижващата система не работи нормално.	Обърнете се към местния упълномощен сервиз за извършване на ремонт.
	Близко до ножа е заседнал външен предмет, например клон.	Махнете външния предмет.
	Задвижващата система не работи нормално.	Обърнете се към местния упълномощен сервиз за извършване на ремонт.
Ненормални вибрации: ⇒ спрете веднага косачката!	Ножът е дебалансиран, прекалено или неравномерно е износен.	Сменете ножа.

## ДОПЪЛНИТЕЛНИ АКСЕСОАРИ

**⚠ ВНИМАНИЕ:** Препоръчва се използването на тези аксесоари или приспособления с Вашата машина Makita, описана в настоящото ръководство. Използването на други аксесоари или приспособления може да доведе до опасност от телесни наранявания. Използвайте съответните аксесоар или приспособление само по предназначение.

Ако имате нужда от помощ за повече подробности относно тези аксесоари, се обърнете към местния сервизен център на Makita.

- Диск на косачката
- Оригинална акумулаторна батерия и зарядно устройство на Makita

**ЗАБЕЛЕЖКА:** Някои артикули от списъка може да са включени в комплекта на продукта като стандартни аксесоари. Те може да са различни в различните държави.

## SPECIFIKACIJE

Model:		DLM462	DLM530	DLM532
Širina košenja (promjer oštrice)		460 mm	534 mm	
Brzina bez opterećenja		2.500 min <sup>-1</sup>	2.300 min <sup>-1</sup>	
Maksimalna brzina		3.300 min <sup>-1</sup>	2.800 min <sup>-1</sup>	
Kataloški broj zamjenske oštrice kosilice	Ravna oštrica kosilice	191D51-9	191D52-7	
	Oštrice kosilice sa zakretanjem unatrag *1	191D49-6	191D50-1	
	Oštrice kosilice sa zakretanjem unatrag *2	191D47-0	191D48-8	
Dimenzije (D x Š x V)		D: 1.610 mm – 1.690 mm Š: 535 mm V: 980 mm – 1.095 mm	D: 1.630 mm – 1.715 mm Š: 590 mm V: 990 mm – 1.095 mm	
Brzina vožnje		2,5 – 5,0 km/h	–	2,5 – 5,0 km/h
Nazivni napon		DC 36 V		
Neto težina	Kada se postavi ravna oštrica kosilice	35,3 – 39,0 kg	35,5 – 39,3 kg	39,0 – 42,8 kg
	Kada se postave oštrice kosilice sa zakretanjem unatrag	36,0 – 39,7 kg	36,2 – 40,0 kg	39,7 – 43,5 kg
Stupanj zaštite		IPX4		

\*1. Bazna ploča i pojedinačne oštrice kosilice.

\*2. Samo pojedinačne oštrice kosilice.

- Zahvaljujući našem stalnom programu razvoja i istraživanja, navedene specifikacije podložne su promjenama bez obavijesti.
- Specifikacije mogu biti različite ovisno o zemlji.
- Težina se može razlikovati ovisno o opremi, uključujući baterijski uložak. Najlakša i najteža kombinacija, sukladno postupku EPTA 01/2014, prikazane su u nastavku.

### Odgovarajući baterijski uložak

BL1815N / BL1820 / BL1820B / BL1830 / BL1830B / BL1840 / BL1840B / BL1850 / BL1850B / BL1860B






- Neki od navedenih baterijskih uložaka možda neće biti dostupni ovisno o regiji u kojoj se nalazite.

**⚠ UPOZORENJE:** Upotrebjavajte samo navedene baterijske uloške. Upotreba bilo koje druge vrste baterijskih uložaka može prouzročiti ozljede i/ili požar.

**⚠ UPOZORENJE:** S ovim strojem nemojte upotrebjavati kabelsko napajanje kao što je adapter za bateriju ili prijenosno napajanje. Kabel takvog napajanja može ometati rad i prouzročiti ozljede.

### Simboli

U nastavku su prikazani simboli koji se upotrebljavaju za opremu. Prije korištenja provjerite jeste li razumjeli njihovo značenje.

	Potreban poseban oprez i pozornost.
	Pročitajte priručnik s uputama.
	Opasnost; pazite na izbačene predmete.
	Udaljenost između alata i promatrača mora biti najmanje 15 m.
	Nikad ne stavljajte ruke i stopala blizu oštrice ispod kosilice. Oštrice se nastavljaju okretati i nakon isključivanja motora.



Izvadite ključ prije pregledavanja, podešavanja, čišćenja, servisiranja, ostavljanja i skladištenja kosilice.



Opasnost od električnog udara. Kontakt s vodom može rezultirati električnim udarom.



Nemojte polijevati vodu.



Ni-MH  
Li-ion

Samo za države EU  
Nemojte odlagati električnu opremu ili bateriju zajedno s kućnim otpadom!  
Sukladno europskim direktivama o otpadnoj električnoj i elektroničkoj opremi, baterijama i akumulatorima te otpadnim baterijama i akumulatorima te njihovoj primjeni sukladno nacionalnim zakonima, električna oprema i baterije na kraju vijeka trajanja moraju se zasebno prikupiti i vratiti u ekološki kompatibilno postrojenje za recikliranje.

## Namjena

Stroj je namijenjen za košenje travnjaka.

## Buka

Tipična jačina buke označena s A, određena sukladno EN60335-2-77:

**NAPOMENA:** Vrijednosti su izmjerene za kosilicu s ravnom oštricom kosilice.

### Model DLM462

Razina tlaka zvuka ( $L_{pA}$ ): 82,7 dB (A)  
Razina snage zvuka ( $L_{WA}$ ): 90,9 dB (A)  
Neodređenost (K): 3 dB (A)

### Model DLM530

Razina tlaka zvuka ( $L_{pA}$ ): 78,1 dB (A)  
Razina snage zvuka ( $L_{WA}$ ): 90,4 dB (A)  
Neodređenost (K): 3 dB (A)

### Model DLM532

Razina tlaka zvuka ( $L_{pA}$ ): 78,1 dB (A)  
Razina snage zvuka ( $L_{WA}$ ): 90,4 dB (A)  
Neodređenost (K): 3 dB (A)

Razina buke u radu može prelaziti 80 dB (A).

**NAPOMENA:** Deklarirana vrijednost emisije buke izmjerena je prema standardnoj metodi testiranja i može se rabiti za usporedbu jednog alata s drugim.

**NAPOMENA:** Deklarirana vrijednost emisije buke također se može rabiti za preliminarnu procjenu izloženosti.

**▲UPOZORENJE:** Nosite zaštitu za uši.

**▲UPOZORENJE:** Emisija buke tijekom stvarnog korištenja električnog ručnog alata se može razlikovati od deklariranih vrijednosti emisije, ovisno o načinu na koji se alat rabi, posebice ovisno o tome kakav se izradak izrađuje.

**▲UPOZORENJE:** Nemojte zaboraviti da identifikirate sigurnosne mjere zaštite rukovatelja koje se temelje na procjeni izloženosti u stvarnim uvjetima korištenja (uzimajući u obzir sve dijelove radnog ciklusa, poput vremena kada je alat isključen i kada on radi u praznom hodu, a također i vrijeme okidanja).

## Vibracija

Ukupna vrijednost vibracija (troosni vektorski zbir) izračunata u skladu s EN60335-2-77:

**NAPOMENA:** Vrijednosti su izmjerene za kosilicu s ravnom oštricom kosilice.

### Model DLM462

Emisija vibracija ( $a_h$ ): 2,5 m/s<sup>2</sup> ili manje  
Neodređenost (K): 1,5 m/s<sup>2</sup>

### Model DLM530

Emisija vibracija ( $a_h$ ): 2,5 m/s<sup>2</sup> ili manje  
Neodređenost (K): 1,5 m/s<sup>2</sup>

### Model DLM532

Emisija vibracija ( $a_h$ ): 2,5 m/s<sup>2</sup> ili manje  
Neodređenost (K): 1,5 m/s<sup>2</sup>

**NAPOMENA:** Deklarirana vrijednost ukupnih vibracija izmjerena je prema standardnoj metodi testiranja i može se rabiti za usporedbu jednog alata s drugim.

**NAPOMENA:** Deklarirana vrijednost ukupnih vibracija također se može rabiti za preliminarnu procjenu izloženosti.

**▲UPOZORENJE:** Emisija vibracija tijekom stvarnog korištenja električnog ručnog alata se može razlikovati od deklariranih vrijednosti emisije, ovisno o načinu na koji se alat rabi, posebice ovisno o tome kakav se izradak izrađuje.

**▲UPOZORENJE:** Nemojte zaboraviti da identifikirate sigurnosne mjere zaštite rukovatelja koje se temelje na procjeni izloženosti u stvarnim uvjetima korištenja (uzimajući u obzir sve dijelove radnog ciklusa, poput vremena kada je alat isključen i kada on radi u praznom hodu, a također i vrijeme okidanja).

## Izjava o sukladnosti EZ

*Samo za države članice Europske unije*

Izjava o sukladnosti EZ u privitku je Priloga A ovih uputa za upotrebu.

## SIGURNOSNA UPOZORENJA

### VAŽNE SIGURNOSNE UPUTE

**▲UPOZORENJE:** Pročitajte sva sigurnosna upozorenja i sve upute. Nepridržavanje upozorenja ili uputa može rezultirati strujnim udarom, požarom i/ili ozbiljnom ozljedom.

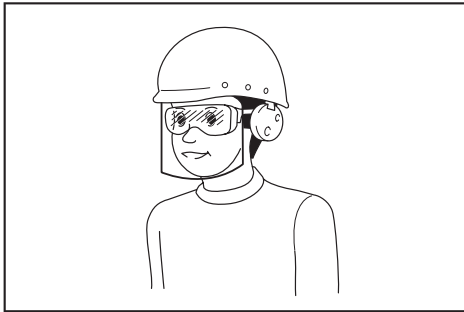
## Sačuvajte sva upozorenja i upute radi kasnijeg korištenja.

Obuka

1. Pažljivo pročitajte upute. Upoznajte se s kontrolama i pravilnim korištenjem kosilice.
2. Nikada nemojte dopustiti djeci ili osobama koje nisu upoznate s uputama da upotrebjavaju kosilicu. Dob rukovatelja može biti ograničena lokalnim propisima.
3. Nikada ne rukujte kosilicom u blizini ljudi, osobito djece ili kućnih ljubimaca.
4. Imajte na umu da je rukovatelj ili korisnik odgovoran za nesreće ili opasnosti koje se mogu dogoditi drugim ljudima ili njihovoj imovini.
5. Djeca moraju biti pod nadzorom kako bi se zajamčilo da se ne igraju kosilicom.
6. Fizičko stanje - nemojte rukovati kosilicom pod utjecajem opojnih sredstava, alkohola ili bilo kakvih lijekova.

## Priprema

1. Tijekom rukovanja kosilicom uvijek nosite čvrstu obuću i duge hlače. Kosilicom ne rukujte bosu ili u otvorenim sandalama. Izbjegavajte nošenje široke odjeće ili nakita koji imaju viseće rese ili vezice. Pokretni dijelovi mogu ih zahvatiti.
2. Prije upotrebe uvijek pregledajte sadrži li kosilica oštećene ili pogrešno postavljene štitnike ili zaštitne elemente ili oni pak nedostaju.
3. Prije košenja provjerite da nema drugih ljudi u radnom prostoru. Zaustavite kosilicu ako itko uđe u radni prostor.
4. Nemojte umetati ključ u kosilicu dok ne bude spremna za upotrebu.
5. Uvijek nosite zaštitne naočale kako biste zaštitili oči od ozljeđivanja električnim uređajima. Naočale moraju biti u skladu s normom ANSI Z87.1 u SAD-u, EN 166 u Europi ili AS/NZS 1336 u Australiji/Novom Zelandu. U Australiji/Novom Zelandu također je zakonski propisano nošenje maske za lice radi zaštite lica.



Poslodavac je odgovoran za provedbu mjere obveznog nošenja zaštitne opreme za rukovatelje i druge osobe u neposrednom radnom okruženju pri rukovanju alatom.

6. Prije rada pažljivo provjerite ima li pukotina ili oštećenja na oštricama ili na vijcima oštrica. Odmah zamijenite napuknute ili oštećene oštrice ili vijke oštrica.
7. Uklonite strane predmete kao što su kamenje, žice, boce, kosti i veće grane iz radnog prostora prije košenja kako biste spriječili osobne ozljede i oštećenje kosilice.
8. Predmeti udareni oštricom kosilice za travu mogu uzrokovati ozbiljne ozljede. Travnjak uvijek treba pažljivo pregledati i treba ukloniti sve predmete prije košenja.
9. Pregledajte postoje li rupe, brazde, kamenje ili drugi skriveni predmeti. Neravan teren može dovesti do gubitka ravnoteže i pada. Visoka trava može sakriti prepreke.
10. Nemojte umetati ni vaditi ključ na kiši.
11. Koristite se osobnom zaštitnom opremom. Uvijek nosite zaštitu za oči. Zaštitna oprema, poput maske za prašinu, protuklizne zaštitne obuće, kacige ili štitnika za uši, korištena u odgovarajućim uvjetima smanjuje mogućnost tjelesnih ozljeda.

## Rad

1. Ne približavajte se previše. U svakom trenutku održavajte ravnotežu. Uvijek održavajte stabilnost na nagibima. Hodajte, nikada ne trčite.
2. Isključite kosilicu i provjerite jesu li se svi pomični dijelovi u potpunosti zaustavili u sljedećim situacijama:
  - svaki put kada ostavljate kosilicu,
  - prije čišćenja blokada ili oslobađanja otvora za istovar,
  - prije provjera, čišćenja ili rada na kosilici,
  - nakon udara u strani predmet. Pregledajte je li kosilica oštećena i izvršite popravke prije ponovnog pokretanja i rukovanja kosilicom,
  - svaki put kada kosilica počne neuobičajeno vibrirati.
3. Nikada nemojte rukovati kosilicom s neispravnim štيتnicima ili zaštitnim elementima ili bez postavljenih sigurnosnih uređaja, kao što su otklanjači i/ili koš za travu.
4. Izbjegavajte upotrebu kosilice u lošim vremenskim uvjetima, osobito kada postoji opasnost od munje.
5. Cijelo vrijeme dok upravljate kosilicom nosite zaštitne naočale i čvrstu obuću.
6. Rukujte strojem samo na danjem svjetlu ili pod dobrim umjetnim osvjetljenjem.
7. Pažljivo uključite kosilicu u skladu s uputama i držite stopala dovoljno udaljena od oštrica.
8. Pazite da vam oštrice kosilice ne ozlijede stopala ili ruke.
9. Provjerite jesu li otvori za zrak očišćeni od naslaga prljavštine.
10. Kosite ukoso na padinama, nikad u smjeru gore i dolje. Budite krajnje oprezni kod promjene smjera na padinama. Nemojte kositi na prestrmim padinama.
11. Budite veoma oprezni kada se krećete unatrag ili vučete stroj prema sebi.
12. Zaustavite oštrice ako morate nagnuti kosilicu pri prelasku preko površina bez trave i prije nosu kosilice na površinu i s površine koju ćete kositi.
13. Nemojte naginjati kosilicu tijekom uključivanja motora, osim ako se kosilica mora nagnuti zbog pokretanja. U tom slučaju ne naginjite stroj više no što je potrebno i podignite samo dio koji je udaljen od rukovatelja. Objе ruke moraju biti u položaju za rad prije vraćanja kosilice na tlo.
14. Ne stavljajte ruke ili stopala blizu ili ispod rotirajućih dijelova. Uvijek stojte dalje od otvora za pražnjenje.
15. Kosilicu ne prenosite dok je uključena.
16. Izbjegavajte rukovanje strojem na mokroj travi.
17. Uvijek čvrsto držite ručku.
18. Nemojte hvatati izložene rezne oštrice ili rezne rubove prilikom dizanja ili držanja kosilice.
19. Držite ruke i stopala dalje od rotirajućih oštrica. Op rez - oštrice i dalje rade nakon isključivanja kosilice.
20. Odmah prekinite rad ako primijetite nešto neuobičajeno. Isključite kosilicu i uklonite ključ. Zatim pregledajte kosilicu.

21. Nikada nemojte pokušavati podesiti visinu rezanja dok je kosilica uključena ako ima mogućnost podešavanja visine rezanja.
22. Otpustite ručicu prekidača i pričekajte da se oštrice prestanu okretati prije prelaska preko prilaza, staza, cesta i bilo kakvog prostora prekrivenog šljunkom. Izvadite ključ i ako ostavljate kosilicu, pružite ruku kako biste nešto podigli ili maknuli s puta ili zbog bilo kojeg drugog razloga koji bi vas mogao omesti u poslu.
23. Ako kosilica udari strani predmet, učinite sljedeće:
  - Zaustavite kosilicu, otpustite polugu za uključivanje i pričekajte da se oštrica potpuno zaustavi.
  - Uklonite ključ i baterijski uložak.
  - Temeljito pregledajte je li kosilica oštećena.
  - Zamijenite oštricu ako je na bilo koji način oštećena. Popravite oštećeni dio prije ponovnog pokretanja i nastavka rada s kosilicom.
24. Ne pokrećite kosilicu dok stojite ispred otvora za pražnjenje.
25. Ako kosilica počne neuobičajeno vibrirati (odmah provjerite)
  - pregledajte je li oštećena,
  - zamijenite ili popravite oštećene dijelove,
  - provjerite ima li labavih dijelova i zategnite ih.
26. Nemojte usmjeravati ispražnjeni materijal prema nekome. Izbjegavajte pražnjenje materijala uz zid ili prepreku. Materijal se može odbiti prema rukovatelju. Pri prelasku šljunčanim površinama zaustavite oštricu.
27. Nemojte povlačiti kosilicu unatrag osim ako to nije nužno. Ako morate odmaknuti kosilicu od ograde ili drugih sličnih prepreka, pogledajte prema dolje i unatrag prije i tijekom pomicanja unatrag.
28. Isključite motor i pričekajte dok se oštrica u potpunosti ne zaustavi prije uklanjanja hvatača trave. Pazite da se oštrice ne pomiču nakon isključivanja.
29. Kada stroj upotrebljavate na blatnjavom tlu, vlažnoj strmini ili skliskom mjestu, pripazite na svoje uporište.
30. Izbjegavajte rad u zahtjevnom okruženju u kojem se očekuje povećani umor korisnika.
31. Nemojte upotrebljavati stroj u lošim vremenskim uvjetima kada je vidljivost ograničena. U suprotnom može doći do pada ili nepravilnog rada zbog slabe vidljivosti.
32. Nemojte uranjati stroj u lokvu.
33. Ako zbog kiše dođe do prijanjanja mokrog lišća ili prljavštine na usisnom otvoru (ventilacijski otvor), uklonite ih.
34. Nemojte upotrebljavati stroj na snijegu.
35. Ako je odrezana trava mokra, vjerojatno će se začepiti u stroju. Redovito provjeravajte stanje stroja i po potrebi uklonite zalijepljenu travu.
36. Pri upravljanju strojem obratite pozornost na cijevi i žice.
37. S ovim strojem nemojte upotrebljavati kabelsko napajanje kao što je adapter za bateriju ili prijenosno napajanje. Kabel takvog napajanja može ometati rad i prouzročiti ozljede.

## Održavanje i skladištenje

1. Iz sigurnosnih razloga zamijenite istrošene ili oštećene dijelove. Upotrebljavajte samo originalne zamjenske dijelove i pribor.
2. Redovito pregledavajte i održavajte kosilicu.
3. Kada je ne koristite, kosilicu pohranite tako da ne bude dostupna djeci.
4. Sve matice i vijke držite zategnutima kako bi oprema bila u sigurnom radnom stanju.
5. Često provjeravajte stanje koša za travu zbog istrošenosti ili kvara. Kod odlaganja, uvijek provjerite je li koš za travu prazan. Iz sigurnosnih razloga, istrošeni koš za travu zamijenite novim, tvornički proizvedenim.
6. Koristite isključivo originalne oštrice proizvođača koje su navedene u ovom priručniku.
7. Budite oprezni prilikom podešavanja kosilice kako biste spriječili da pomične oštrice i fiksni dijelovi kosilice zahvate prste.
8. Redovito provjeravajte je li vijak za postavljanje oštrice ispravno zategnut.
9. Uvijek pustite da se kosilica ohladi prije skladištenja.
10. Tijekom servisiranja oštrica ne zaboravite da se oštrice i dalje mogu pomicati, čak i kad je izvor napajanja isključen.
11. Nemojte uklanjati niti mijenjati sigurnosne uređaje. Redovito provjeravajte funkcioniraju li ispravno. Nemojte poduzimati ništa što bi moglo utjecati na predviđenu funkciju sigurnosnog uređaja ili smanjiti zaštitu koju pruža sigurnosni uređaj.
12. Nemojte ostavljati stroj bez nadzora na kiši.
13. Nemojte prati stroj vodom pod visokim tlakom.
14. Kada perete stroj obavezno uklonite bateriju i ključ i zatvorite poklopac baterije te polijte vodu prema donjem dijelu stroja na koji je pričvršćena oštrica.
15. Kada skladištite stroj izbjegavajte izravnu sunčevu svjetlost i kišu i skladištite ga na mjestu koje se ne zagrijava niti vlaži.
16. Pregledavajte ili održavajte na mjestu gdje možete izbjeći kišu.
17. Nakon upotrebe stroja uklonite nakupljenu prljavštinu s njega i u potpunosti ga osušite prije skladištenja. Ovisno o godišnjem dobu ili području, postoji rizik od kvara zbog smrzavanja.

## Korištenje i održavanje alata na baterije

1. Baterije punite isključivo punjačem koji preporučuje proizvođač. Punjač koji je prikladan za jednu vrstu baterija može uzrokovati opasnost od požara ako se koristi za drugu vrstu baterija.
2. Ručni alat koristite isključivo s namjenskim i propisanim baterijama. Korištenje bilo koje druge vrste baterija može uzrokovati opasnost od ozljede i požara.
3. Kad ih ne koristite, baterije držite podalje od drugih metalnih predmeta poput spajalica, kovanica, ključeva, čavala, vijaka i drugih sitnih metalnih predmeta koji mogu uzrokovati spoj između polova. Spajanje polova baterije može uzrokovati opekline ili požar.

## Važne sigurnosne upute za bateriju

4. Pod djelovanjem sile tekućina može iscuriti iz baterije; izbjegavajte kontakt. Ako slučajno dođe do kontakta, isperite vodom. Ako tekućina dođe u dodir s očima, zatražite dodatnu liječničku pomoć. Tekućina izbačena iz baterije može uzrokovati nadražnost ili opekline.
5. Ne koristite oštećenu ili preinačenu bateriju ili alat. Oštećene ili preinačene baterije mogu se neočekivano ponašati te prouzročiti požar, eksploziju ili ozljede.
6. Ne izlažite bateriju ili alat plamenu ili previsokoj temperaturi. Izlaganje plamenu ili temperaturi višoj od 130 °C može prouzročiti eksploziju.
7. Pridržavajte se svih uputa za punjenje i nemojte puniti bateriju ili alat izvan temperaturnog raspona navedenog u uputama. Neispravno punjenje ili punjenje pri temperaturama izvan navedenog raspona mogu oštetiti bateriju i povećati opasnost od požara.

### Električna sigurnost i sigurnost baterije

1. Bateriju/e ne bacajte u vatru. Čelija bi mogla eksplodirati. Provjerite u lokalnim propisima postoje li posebne upute za odlaganje.
2. Nemojte otvarati niti uništavati bateriju/e. Ispušteni elektrolit jest korozivan i može oštetiti oči ili kožu. Možete se otrovati ako ga progutate.
3. Ne puniti bateriju na kiši ili na mokrim mjestima.
4. Ne puniti bateriju na otvorenom.
5. Ne rukujte punjačem, uključujući utikač punjača, i priključcima punjača mokrim rukama.
6. Nemojte mijenjati bateriju na kiši.
7. Nemojte očiti priključke baterije tekućinom kao što je voda niti uranjati bateriju. Nemojte ostavljati bateriju na kiši niti je puniti, upotrebljavati ili skladištiti na vlažnom ili mokrom mjestu. Ako se priključci smoče ili ako tekućina uđe u bateriju, može doći do kratkog spoja baterije i postoji opasnost od pregrijavanja, požara ili eksplozije.
8. Nakon što uklonite bateriju iz stroja ili punjača, obavezno pričvrstite poklopac baterije na bateriju i skladištite je na suhom mjestu.
9. Nemojte mijenjati bateriju mokrim rukama.

### Servisiranje

1. Neka vaš električni alat servisira kvalificirana osoba, koristeći samo identične rezervne dijelove. Na taj se način održava sigurnost električnog alata.
2. Nikada nemojte popravljati oštećene baterije. Popravak baterije smije obavljati samo proizvođač ili ovlašteni serviser.

## ČUVAJTE OVE UPUTE.

**⚠ UPOZORENJE:** NEMOJTE dovoliti da udobnost ili znanje o proizvodu (stečeno stalnim korištenjem) zamijene strogo pridržavanje sigurnosnih propisa za određeni proizvod.

ZLOUPORABA ili nepridržavanje sigurnosnih propisa navedenih u ovom priručniku s uputama mogu prouzročiti ozbiljne ozljede.

1. Prije uporabe baterije pročitajte sve upute i oznake upozorenja na (1) punjaču za baterije, (2) bateriji i (3) proizvodu koji koristi bateriju.
2. Nemojte rastavljati ili izmjenjivati baterijski uložak. To može dovesti do požara, pretjeranog zagrijavanja ili eksplozije.
3. Ako se vrijeme rada znatno skratilo, odmah prestanite raditi. Može doći do pregrijavanja, mogućih opekline pa čak i eksplozije.
4. Ako vam elektrolit dospije u oči, isperite ih čistom vodom i odmah se obratite liječniku. Tako možete izgubiti vid.
5. Nemojte kratko spojati bateriju:
  - (1) Ne dovodite terminale u kontakt s provodljivim materijalima.
  - (2) Ne čuvajte bateriju u spremniku s drugim metalnim predmetima poput čavala, kovanica itd.
  - (3) Ne izlažite bateriju vodi ili kiši. Kratki spoj baterije može uzrokovati velik protok struje, pregrijavanje, moguće opekline pa čak i kvar.
6. Ne držite i ne upotrebljavajte alat i baterijski uložak na mjestima gdje temperatura može premašiti 50 °C (122 °F).
7. Ne spaljujte bateriju čak ni ako je ozbiljno oštećena ili potpuno istrošena. Baterija može eksplodirati u vatru.
8. Nemojte zabijati čavle u baterijski uložak, rezati ga, gnječiti, bacati ili udarati tvrdim predmetom. Ti postupci mogu dovesti do požara, pretjeranog zagrijavanja ili eksplozije.
9. Ne koristite oštećene baterije.
10. Sadržane litij-ionske baterije podliježu odredbama zakonskih propisa o opasnim tvarima. Kada se radi o komercijalnom transportu koji obavlja npr. dobavljači ili špediteri, moraju se poštovati posebni zahtjevi na pakiranju i oznakama. Prilikom pripreme isporuke takve stavke potražite savjet stručnjaka za opasne tvari. Pogledajte i moguće detaljnije nacionalne propise. Prekrijte trakom ili zaštitite otvorene kontakte i bateriju zapakirajte tako da se ne može pomicati u pakiranju.
11. Kada odlazite baterijski uložak u otpad, uklonite ga iz alata i zbrinite na sigurnom mjestu. Pridržavajte se lokalnih zakonskih propisa za zbrinjavanje baterija.
12. Upotrebljavajte baterije samo s proizvodima koje je odobrila tvrtka Makita. Umetanje baterija u neprikladne proizvode može dovesti do požara, prekomjerne topline, eksplozije ili curenja elektrolita.
13. Ako se alat ne upotrebljava dulje vrijeme, bateriju morate ukloniti iz alata.
14. Tijekom i nakon upotrebe baterijski uložak može se zagrijati i prouzročiti opekline višeg ili nižeg stupnja. Pažljivo rukujte vrućim baterijskim uložcima.
15. Nemojte dirati priključak alata neposredno nakon upotrebe jer se može zagrijati toliko da prouzroči opekline.



16. **Ne dopustite da krhotine, prašina ili zemlja zapnu u priključcima, otvorima i urezima baterijskog uloška.** To može dovesti do neispravnog rada ili kvara alata ili baterijskog uloška.
17. **Ako alat ne podržava upotrebu u blizini visokonaponskih električnih vodova, nemojte upotrebljavati baterijski uložak u blizini a visokonaponskih električnih vodova.** To može dovesti do neispravnog rada ili kvara alata ili baterijskog uloška.
18. **Bateriju čuvajte podalje od djece.**

## ČUVAJTE OVE UPUTE.

**⚠️ OPREZ:** Uvijek upotrebljavajte originalne baterije Makita. Upotreba baterija koje nisu originalne baterije Makita ili su izmijenjene može dovesti do rasprskavanja baterije i uzrokovati požar, tjelesnu ozljedu ili štetu. To će također poništiti jamstvo tvrtke Makita za alat i punjač Makita.

## Savjeti za održavanje najduljeg vijeka trajanja baterije

1. **Napunite bateriju prije nego što se potpuno isprazni.** Uvijek zaustavite alat i napunite bateriju kad primijetite da alat slabije radi.
2. **Nikad ne punite već do kraja napunjenu bateriju.** Pretjerano punjenje skraćuje radni vijek baterije.
3. **Bateriju puniti na sobnoj temperaturi između 10 °C i 40 °C.** Vruću bateriju prije punjenja ostavite da se ohladi.
4. **Kada ne upotrebljavate baterijski uložak, uklonite ga iz alata ili punjača.**
5. **Napunite bateriju ako je ne mislite koristiti duže vrijeme (duže od 6 mjeseci).**

## MONTAŽA

**⚠️ UPOZORENJE:** Obavezno uvijek izvadite ključ i bateriju prije radova na kosilici. Ako ne izvadite ključ i bateriju, može doći do ozbiljnih tjelesnih ozljeda zbog nenamjernog pokretanja.

**⚠️ UPOZORENJE:** Nikad nemojte pokretati kosilicu ako nije potpuno sastavljena. Rad s djelomično sastavljenim strojem može dovesti do ozbiljnih tjelesnih ozljeda zbog nenamjernog pokretanja.

## Postavljanje ručke

**NAPOMENA:** Prilikom postavljanja ručki kabele namjestite tako da ih ne može zahvatiti ništa između ručki. Ako je kabel oštećen, prekidač kosilice možda neće raditi.

1. Poravnajte otvore na donjoj ručki s otvorima na kućištu kosilice i privremeno zategnite 4 vijka.
  - ▶ **SI.1:** 1. Donja ručka 2. Vijak
2. Čvrsto zategnite 4 vijka koji su privremeno zategnuti u 1. koraku pomoću okastog ključa 13.

3. Poravnajte otvor na donjoj ručki s otvorom na gornjoj ručki, zatim umetnite vijak iznutra i zategnite maticu izvana pomoću okastog ključa 13. Ponovite postupak s druge strane.

- ▶ **SI.2:** 1. Vijak 2. Donja ručka 3. Matica 4. Otvor 5. Gornja ručka

**⚠️ OPREZ:** Čvrsto držite gornju ručku kako vam ne bi ispala iz ruke. U protivnom ručka bi mogla pasti i uzrokovati ozljede.

4. Pričvrstite držače za ručku.

Poravnajte izbočine na držaču s otvorima na ručki tako da se izbočine uklape u otvore. Postavite kabele kako je prikazano na slici.

- ▶ **SI.3:** 1. Kabel 2. Držač

## Uklanjanje utikača za malčiranje

1. Otvorite stražnji poklopac.
  - ▶ **SI.4:** 1. Stražnji poklopac
2. Uklonite utikač za malčiranje dok držite ručicu.
  - ▶ **SI.5:** 1. Ručica 2. Utikač za malčiranje

## Postavljanje ili uklanjanje koša za travu

Za postavljanje koša za travu slijedite korake u nastavku.

1. Otvorite stražnji poklopac.
  - ▶ **SI.6:** 1. Stražnji poklopac
2. Uхватите ručku koša za travu, a zatim zakvačite ručku koša za travu na šipku tijela kosilice kako je prikazano na slici.
  - ▶ **SI.7:** 1. Šipka 2. Ručka 3. Koš za travu

Da biste uklonili koš za travu, otvorite stražnji poklopac i uklonite koš za travu držeći ručku.

## Pričvršćivanje utikača za malčiranje

1. Otvorite stražnji poklopac i zatim uklonite koš za travu.
  - ▶ **SI.8:** 1. Stražnji poklopac 2. Koš za travu
2. Utikač za malčiranje pričvrstite dok držite ručicu, a zatim otpustite ručicu kako biste blokirali utikač za malčiranje.
  - ▶ **SI.9:** 1. Ručica 2. Utikač za malčiranje

## Pričvršćivanje dodatka za pražnjenje

Za DLM530/DLM532

1. Otvorite stražnji poklopac i zatim uklonite koš za travu.
  - ▶ **SI.10:** 1. Stražnji poklopac 2. Koš za travu
2. Utikač za malčiranje pričvrstite dok držite ručicu, a zatim otpustite ručicu kako biste blokirali utikač za malčiranje.
  - ▶ **SI.11:** 1. Ručica 2. Utikač za malčiranje
3. Otvorite stražnji poklopac i zatim pričvrstite dodatak za pražnjenje.
  - ▶ **SI.12:** 1. Desni poklopac 2. Dodatak za pražnjenje

# FUNKCIONALNI OPIS

## Umetanje ili uklanjanje baterije

**▲OPREZ:** Uvijek isključite stroj prije umetanja ili uklanjanja baterijskog uloška.

**▲OPREZ:** Čvrsto držite stroj i baterijski uložak pri umetanju ili uklanjanju baterijskog uloška. Ako stroj i baterijski uložak ne držite čvrsto, mogli bi vam iskliznuti iz ruku te se oštetiti ili uzrokovati tjelesnu ozljedu.

**▲OPREZ:** Obavezno zaključajte poklopac baterije prije upotrebe. U protivnom prašina ili voda mogu oštetiti proizvod ili bateriju.

**▲OPREZ:** Baterijski uložak uvijek umetnite do kraja tako da se ne može vidjeti crveni indikator. U suprotnom može slučajno ispasti iz stroja, što može dovesti do ozljede vas ili nekoga u blizini.

**▲OPREZ:** Ne umećite bateriju silom. Ako baterija ne klizne lagano, znači da nije ispravno umetnuta.

**NAPOMENA:** Stroj ne radi samo s jednim baterijskim uloškom.

### Postavljanje baterije;

1. Povucite ručicu za blokadu prema gore i otvorite poklopac baterije.  
▶ **SI.13:** 1. Poklopac baterije 2. Ručica za blokadu
2. Poravnajte jezičac na baterijskom ulošku s utorom na kosilici, a zatim pomičite baterijski uložak dok ne sjedne na svoje mjesto uz tihi klik.  
▶ **SI.14:** (1) Priključak baterije 1 (2) Priključak baterije 2 (3) Baterija

**NAPOMENA:** Umetnite najmanje 2 baterijska uloška u priključak baterije 1 ili priključak baterije 2.

3. Do kraja umetnite ključ u mjesto prikazano na slici.  
▶ **SI.15:** 1. Ključ
4. Zatvorite poklopac baterije i gurajte ga dok ga ne zahvati poluga za zaključavanje.

### Da biste uklonili baterijski uložak:

1. Povucite ručicu za blokadu prema gore i otvorite poklopac baterije.
2. Izvucite baterijski uložak iz kosilice dok povlačite gumb na prednjoj strani baterijskog uloška.
3. Izvucite ključ.
4. Zatvorite poklopac baterije.

## Odabir baterijskog uloška pomoću sklopke

▶ **SI.16:** 1. Sklopka za odabir baterije

Stroj istodobno upotrebljava 2 baterijska uloška za rad. U stroj se mogu umetnuti 4 baterijska uloška. Prije rukovanja strojem odaberite priključak baterije 1 ili priključak baterije 2 upotrebom sklopke za odabir baterije.

**NAPOMENA:** Ako se u stroj postave samo 2 baterijska uloška, obavezno odaberite priključak baterije u koji će se priključci baterije postaviti pomoću sklopke za odabir baterije.

## Sustav zaštite stroja/baterije

Stroj je opremljen sustavom zaštite stroja/baterije. Sustav automatski prekida napajanje motora da bi produžio vijek trajanja stroja i baterije. Stroj automatski prestaje raditi ako se stroj ili baterija nađu u nekom od sljedećih uvjeta:

### Zaštita od preopterećenja

Kada se baterija koristi na način pri kojemu troši neobično mnogo struje, stroj se automatski zaustavlja i žaruljica napajanja treperi zeleno. U tom slučaju isključite stroj i prestanite ga upotrebljavati na način koji je izazvao preopterećenje. Zatim uključite stroj kako biste ga ponovno pokrenuli.

### Zaštita od pregrijavanja

U slučaju pregrijavanja stroja ili baterije stroj se automatski zaustavlja i žaruljica napajanja svijetli crveno. U tom slučaju ostavite stroj i bateriju da se ohlade prije ponovnog uključivanja alata.

### Zaštita od prekomjernog pražnjenja

Kada kapacitet baterije nije dostatan, stroj se automatski zaustavlja i žaruljica napajanja treperi crveno. U tom slučaju izvadite bateriju iz stroja i napunite baterijske uloške ili ih zamijenite potpuno napunjenima.

## Prikaz preostalog kapaciteta baterije

**Samo za baterijske uloške s indikatorom**

▶ **SI.17:** 1. Žaruljice indikatora 2. Gumb za provjeru

Pritisnite gumb za provjeru na bateriji kako biste provjerili preostali kapacitet baterije. Žaruljica indikatora zasvijetlit će na nekoliko sekundi.

Žaruljice indikatora			Preostali kapacitet
Svijetli	Isključeno	Treperi	
			75 % do 100 %
			50 % do 75 %
			25 % do 50 %
			0 % do 25 %
			Napunite bateriju.
			Baterija je možda neispravna.

**NAPOMENA:** Ovisno o uvjetima upotrebe i temperaturi okoline, prikaz indikatora može se donekle razlikovati od stvarnog kapaciteta.

## Upravljačka ploča

Upravljačka ploča ima glavni prekidač napajanja, gumb za izbor načina rada i indikator preostalog kapaciteta baterije.

- **SI.18:** 1. Indikator baterije 2. Žaruljica za izbor načina rada 3. Žaruljica napajanja 4. Gumb za provjeru 5. Gumb za izbor načina rada 6. Glavni prekidač napajanja

## Glavni prekidač napajanja

**▲UPOZORENJE:** Kada ne upotrebljavate alat, uvijek isključite glavni prekidač napajanja.

Da biste uključili stroj, pritisnete glavni prekidač napajanja. Žaruljica napajanja svijetli zeleno. Da biste isključili stroj, ponovno pritisnete glavni prekidač napajanja.

**NAPOMENA:** Ako žaruljica napajanja svijetli crveno ili treperi crveno ili zeleno, pogledajte upute za sustav za zaštitu stroja/baterije.






**NAPOMENA:** Ovaj stroj ima funkciju automatskog isključivanja. Kako bi se izbjeglo neželjeno pokretanje, glavni prekidač napajanja automatski se isključuje ako se poluga za uključivanje i ručica za vožnju (ako je stroj njome opremljen) ne povuku tijekom određenog razdoblja nakon uključivanja glavnog prekidača napajanja.

## Gumb za izbor načina rada

Način rada možete promijeniti pritiskom na gumb za izbor načina rada. Nakon što uključite stroj, pokrenut će se u normalnom načinu rada. Kada pritisnete gumb za odabir načina rada, stroj se prebacuje u način rada za smanjenje buke, a žaruljica za odabir načina rada svijetli zeleno. U načinu rada za smanjenje buke možete smanjiti buku tijekom košenja. Kada ponovno pritisnete gumb za izbor načina rada, stroj će se vratiti u normalan način rada.

## Prikaz preostalog kapaciteta baterije

Pritisnite gumb za provjeru kako biste provjerili preostali kapacitet baterije. Indikatori baterije specifični su za svaku bateriju.

Stanje indikatora baterije		Preostali kapacitet baterije
 Uključeno	 Isključeno	
		50 % do 100 %
		20% do 50%
		0% do 20%

**NAPOMENA:** Žaruljice indikatora preostalog kapaciteta baterije samo su za referencu. Stvarni kapacitet baterije može se razlikovati ovisno o uvjetima upotrebe.

**NAPOMENA:** Prije nego što pritisnete gumb za provjeru kako biste provjerili preostali kapacitet baterije, zaustavite stroj.

## Uključivanje i isključivanje

**▲UPOZORENJE:** Prije postavljanja baterijskog uloška uvijek provjerite radi li poluga za uključivanje ispravno i vraća li se u izvorni položaj kada se otpusti. Rad sa strojem na kojem prekidač ne radi ispravno može dovesti do gubitka kontrole i teških ozljeda.

**NAPOMENA:** Kosilica se neće pokrenuti ako ne pritisnete gumb za uključivanje čak i ako ste povukli polugu za uključivanje.

**NAPOMENA:** Zbog preopterećenja, kosilica se možda neće pokrenuti ako pokušate kositi visoku i gustu travu. U tom slučaju povećajte visinu košenja.

Ova je kosilica opremljena ključem i prekidačem na ručki. Ako primijetite nešto neuobičajeno na ključu ili sklopki, odmah prekinite rad i pozovite ovlaštenu servisnu centar tvrtke Makita da ih pregleda.

### Za DLM462/DLM532

1. Postavite baterijske uloške. Umetnite ključ, a zatim zatvorite poklopac baterije.
2. Pomoću sklopke za odabir baterije odaberite baterijske uloške koji će se upotrebljavati za rad.
3. Pritisnite glavni prekidač napajanja.
4. Povucite polugu za uključivanje prema sebi dok pritišćete gumb za uključivanje. Otpustite gumb za uključivanje čim se motor pokrene.

► **SI.19:** 1. Gumb za uključivanje 2. Poluga za uključivanje

**NAPOMENA:** Ako ključ nije umetnut, prilikom povlačenja ručice prekidača žaruljica napajanja treperi zeleno.

5. Dok držite polugu za uključivanje, gurnite ručicu za vožnju prema naprijed i držite je kako biste upravljali stražnjim kotačima.

► **SI.20:** 1. Ručica za vožnju

**NAPOMENA:** Stražnjim kotačima možete upravljati tako da gurnete ručicu za vožnju prema naprijed i držite je bez povlačenja poluge za uključivanje.

6. Otpustite ručicu za vožnju i polugu za uključivanje da biste zaustavili stroj.

### Za DLM530

1. Postavite baterijske uloške. Umetnite ključ, a zatim zatvorite poklopac baterije.
  2. Pomoću sklopke za odabir baterije odaberite baterijske uloške koji će se upotrebljavati za rad.
  3. Pritisnite glavni prekidač napajanja.
  4. Povucite polugu za uključivanje prema sebi dok pritišćete gumb za uključivanje. Otpustite gumb za uključivanje čim se motor pokrene.
- **SI.21:** 1. Gumb za uključivanje 2. Poluga za uključivanje

**NAPOMENA:** Ako ključ nije umetnut, prilikom povlačenja ručice prekidača žaruljica napajanja treperi zeleno.

5. Otpustite polugu za uključivanje da biste zaustavili motor.

## Podešavanje visine košenja

**⚠️ UPOZORENJE:** Nikad ne stavljajte ruku ili nogu ispod tijela kosilice prilikom podešavanja visine košenja.

**⚠️ UPOZORENJE:** Uvijek provjerite pristaje li poluga ispravno u utor prije rada.

Visina košenja može se podesiti u rasponu od 20 mm do 100 mm.

Izvadite ključ, a zatim povucite ručicu za podešavanje visine košenja iz tijela kosilice i pomaknite je na željenu visinu košenja.

► **SI.22:** 1. Ručica za podešavanje visine košenja

Tablica u nastavku prikazuje odnos između broja na kućištu kosilice i približne visine košenja.

Broj	Visina košenja
1	20 mm
2	26 mm
3	32 mm
4	39 mm
5	47 mm
6	55 mm
7	63 mm
8	74 mm
9	86 mm
10	100 mm

Prednju dršku ili donju ručku uhvatite jednom rukom, a zatim drugom rukom pomaknite ručicu za prilagodbu visine košenja.

► **SI.23:** 1. Ručica za podešavanje visine košenja  
2. Donja ručka 3. Prednja drška

**NAPOMENA:** Brojke za visinu košenja treba upotrebljavati samo kao smjernice. Ovisno o uvjetima travnjaka ili tla, stvarna visina trave može se razlikovati od postavljene visine.

**NAPOMENA:** Košenje isprobajte na manje vidljivom mjestu kako biste dobili željenu visinu.

## Pokazatelj razine trave

Pokazatelj razine trave prikazuje obujam pokošene trave. Kada koš za travu nije pun, pokazatelj pluta dok se oštrice pokreću.

► **SI.24:** 1. Pokazatelj razine trave

Kada je koš za travu gotovo pun, pokazatelj ne pluta dok se oštrice pokreću. U tom slučaju odmah prekinite rad i ispraznite koš.

► **SI.25:** 1. Pokazatelj razine trave

**NAPOMENA:** Ovaj pokazatelj služi samo kao informacija. Ovisno o uvjetima u unutrašnjosti koša, ovaj pokazatelj možda neće raditi ispravno.

## Prilagodba visine ručke

**⚠️ OPREZ:** Prije uklanjanja vijaka gornju ručku čvrsto uhvatite. U protivnom ručka bi mogla pasti i uzrokovati ozljede.

Visina ručke može se prilagoditi na dvije razine.

1. Uklonite gornje vijake donje ručke pomoću okastog ključa 13, a zatim otpustite donje vijake.

► **SI.26:** 1. Gornji vijak 2. Donji vijak

2. Prilagodite visinu ručke, a zatim čvrsto zategnite gornje i donje vijake.

## Prilagodba brzine vožnje

**Za DLM462/DLM532**

► **SI.27:** 1. Ručica za promjenu brzine

Brzina vožnje može se prilagoditi pomoću okretanja ručice za promjenu brzine. Da biste smanjili brzinu, povucite ručicu prema sebi, a da biste povećali brzinu, gurnite ručicu prema naprijed.

## Upotreba utikača za malčiranje

Utikač za malčiranje omogućuje vam da odrezanu travu vratite na tlo, a da je ne sakupljate u koš za travu. Pri upravljanju strojem s utikačem za malčiranje obavezno uklonite koš za travu.

**NAPOMENA:** Pri upotrebi stroja s utikačem za malčiranje pazite da je ukupna dužina trave nakon rezanja 30 mm ili više i da je dužina reza 15 mm ili manje.

► **SI.28:** (1) 30 mm ili više (2) 15 mm ili manje

## Upotreba dodatka za pražnjenje

**Za DLM530/DLM532**

Dodatak za pražnjenje omogućuje vam da odrezanu travu ispraznite na tlo s desne strane stroja, a da je ne sakupljate u koš za travu. Kada upravljate strojem s dodatkom za pražnjenje, obavezno postavite utikač za malčiranje i uklonite koš za travu.

## Elektroničke funkcije

Stroj je opremljen elektroničkim funkcijama za lakši rad.

- Kontinuirana kontrola brzine okretanja oštrice  
Elektronička kontrola brzine za konstantnu brzinu. Moguće je postići finu završnu obradu jer se održava ista brzina okretanja čak i u uvjetima opterećenja.
- Meki start tijekom vožnje  
Meki start smanjuje početni šok i omogućuje glatko pokretanje stroja.
- Električna kočnica  
Ovaj je stroj opremljen električnom kočnicom. Ako stroj kontinuirano ne uspijeva brzo zaustaviti oštrice kosilice nakon otpuštanja ručice prekidača, servisirajte stroj u ovlaštenom servisnom centru tvrtke Makita.

# RAD

## Košenje

**⚠ UPOZORENJE:** Prije košenja uklonite štampove i kamenje s područja košenja. Nadalje, uklonite korov s radnog područja prije košenja.

**⚠ UPOZORENJE:** Uvijek nosite zaštitne naočale ili zaštitne naočale s bočnim štitnicima kad radite s kosilicom.

**⚠ OPREZ:** Ako se odrezana trava ili strani predmet blokira unutar tijela kosilice, obavezno izvadite ključ i baterijski uložak i nosite rukavice prije uklanjanja trave ili stranog predmeta.

**NAPOMENA:** Stroj upotrebljavajte samo za košenje travnjaka. Ovim strojem nemojte kositi korov.

### ► SI.29

Čvrsto držite ručku objema rukama prilikom košenja. Preporučena brzina košenja približno iznosi 7 – 14 metara u 10 sekundi.

### ► SI.30

Središnje linije prednjih kotača služe kao smjernica za širinu košenja. Koristeći središnje linije kao smjernice kosite u prugama. Prelazite jednom polovinom ili trećinom prethodne pruge da biste ujednačeno pokosili travnjak.

► **SI.31:** 1. Širina košenja 2. Područje preklapanja 3. Središnja linija

Svaki puta promijenite smjer košenja kako biste spriječili da se uzorak zrna trave oblikuje samo u jednom smjeru.

### ► SI.32

Povremeno provjerite pokošenu travu u košu za travu. Ispraznite koš prije nego što se napuni. Prije svake provjere obavezno zaustavite kosilicu i izvadite ključ i bateriju.

**NAPOMENA:** Upotreba kosilice za travu s punim košem za travu onemogućuje nesmetano okretanje oštrice i dodatno opterećuje motor, što može uzrokovati kvar.

## Košenje visoke trave

Visoku travu ne pokušavajte pokositi u jednom navratu. Umjesto toga, travnjak pokosite u nekoliko koraka. Pustite da prođe dan ili dva između dva košenja dok trava ne naraste na podjednaku visinu.

### ► SI.33

**NAPOMENA:** Košenje visoke trave na malu visinu u jednom pokušaju može uzrokovati odumiranje trave. Osim toga, pokošena trava može se zaglaviti u tijelu kosilice.

## Pražnjenje koša za travu

**⚠ UPOZORENJE:** Kako biste smanjili opasnost od nezgode, redovito provjeravajte je li koš za travu oštećen ili oslabljen. Po potrebi ga zamijenite.

1. Otpustite ručicu prekidača i ručicu za vožnju (za DLM462/DLM532) ili otpustite ručicu prekidača (za DLM530).
2. Izvadite ključ.
3. Otvorite stražnji poklopac i izvadite koš za travu držeći ručku.  
► **SI.34:** 1. Stražnji poklopac 2. Ručka 3. Koš za travu
4. Ispraznite koš za travu.

## ODRŽAVANJE

**⚠ UPOZORENJE:** Uvijek provjerite jesu li ključ i baterijski uložak izvađeni iz kosilice prije skladištenja ili nošenja kosilice ili tijekom pregleda ili održavanja.

**⚠ UPOZORENJE:** Uvijek izvadite ključ kada kosilica nije u upotrebi. Čuvajte ključ na sigurnom mjestu izvan dohvata djece.

**⚠ UPOZORENJE:** Nosite rukavice tijekom pregleda ili održavanja.

**⚠ UPOZORENJE:** Uvijek nosite zaštitne naočale ili zaštitne naočale s bočnim štitnicima kada obavljate pregled ili održavanje.

**NAPOMENA:** Nikada nemojte koristiti benzin, mješavinu benzina, razrjeđivač, alkohol ili slično. Kao rezultat toga može se izgubiti boja, pojaviti deformacija ili pukotine.

Da biste zadržali SIGURNOST I POUZDANOST proizvoda, održavanje ili namještanja trebali biste prepustiti ovlaštenim servisnim ili tvorničkim centrima tvrtke Makita; uvijek rabite originalne rezervne dijelove.

## Održavanje

1. Izvadite ključ i baterijske uloške i zatim zatvorite poklopac baterije.
2. Postavite kosilicu na stranu tako da poluga za podešavanje visine košenja bude na gornjoj strani. Očistite ostatke trave s donje strane kućišta kosilice.
3. Polijte vodu prema donjem dijelu stroja na koji je pričvršćena oštrica.

**NAPOMENA:** Nemojte prati stroj vodom pod visokim tlakom.

4. Provjerite zategnutost svih matrica, vijaka itd.
5. Pregledajte jesu li pomični dijelovi oštećeni, slomljeni ili istrošeni. Oštećeni dijelovi ili dijelovi koji nedostaju moraju se popraviti ili zamijeniti.

6. Kosilicu čuvajte na sigurnom mjestu izvan dohvata djece.

#### Za DLM462/DLM532

**NAPOMENA:** Ne polijevajte vodom područje prikazano na slici. Polijevanje jedinice motora vodom može dovesti do kvara stroja.

► **SI.35:** 1. Područja koja se smiju polijevati vodom

### Nošenje kosilice

Kada nosite kosilicu, uhvatite prednju i stražnju dršku s dvoje ljudi kako je prikazano na slici.

► **SI.36:** 1. Prednja drška 2. Stražnja drška

### Spremanje

Kosilicu skladištite u zatvorenom, hladnom, suhom i zaključanom mjestu. Kosilicu i punjač ne skladištite na mjestima gdje temperatura može doseći ili premašiti 40 °C.

### Uklanjanje ili postavljanje oštrice kosilice

**⚠ UPOZORENJE:** Oštrica i dalje radi nekoliko sekundi nakon otpuštanja poluge. Zahvate ne započinite dok se oštrica ne zaustavi do kraja.

**⚠ UPOZORENJE:** Uvijek izvadite ključ i bateriju prilikom uklanjanja ili postavljanja oštrice. Ako ne izvadite ključ i bateriju, može doći do ozbiljne ozljede.

**⚠ UPOZORENJE:** Pri rukovanju oštricom uvijek nosite rukavice.

### Uklanjanje oštrice kosilice

#### Za modele opremljene ravnom oštricom kosilice

1. Postavite kosilicu na stranu tako da poluga za podešavanje visine košenja bude na gornjoj strani.
2. Za blokiranje oštrice umetnite klin u otvor na kućištu kosilice.
3. Okrenite vijak okastim ključem 17 u smjeru suprotnom od kazaljke na satu.  
► **SI.37:** 1. Oštrica kosilice 2. Klin 3. Okasti ključ
4. Uklonite vijak, a zatim oštricu kosilice.  
► **SI.38:** 1. Potpora oštrice 2. Oštrica kosilice 3. Vijak 4. Izbočina

**NAPOMENA:** Pri postavljanju oštrice kosilice provjerite uklapaju li se izbočine na potpori oštrice u otvore na oštrici kosilice.

#### Za modele opremljene oštricama kosilice sa zakretanjem unatrag

1. Postavite kosilicu na stranu tako da poluga za podešavanje visine košenja bude na gornjoj strani.
2. Da biste blokirali baznu ploču, umetnite klin u otvor na kućištu kosilice kroz otvor na baznoj ploči.
3. Okrenite vijak okastim ključem 17 u smjeru suprotnom od kazaljke na satu.  
► **SI.39:** 1. Klin 2. Bazna ploča 3. Okasti ključ
4. Uklonite vijak, a zatim baznu ploču.  
► **SI.40:** 1. Potpora oštrice 2. Bazna ploča 3. Vijak 4. Izbočina

**NAPOMENA:** Pri postavljanju oštrica kosilice provjerite uklapaju li se izbočine na potpori oštrice u otvore na baznoj ploči.

5. Da biste uklonili pojedinačnu oštricu kosilice, okrenite vijak okastim ključem 17 u smjeru suprotnom od kazaljke na satu dok držite baznu ploču.  
► **SI.41:** 1. Bazna ploča 2. Oštrica kosilice 3. Okasti ključ
6. Uklonite maticu, podlošku, opružnu podlošku, oštricu kosilice i vijak navedenim redoslijedom.  
► **SI.42:** 1. Rupa za vijak 2. Vijak 3. Oštrica kosilice 4. Opružna podloška 5. Podloška 6. Matica

**NAPOMENA:** Pri zatezanju matica da biste postavili pojedinačne oštrice kosilice, primijenite 30 N·m kao zakretni moment.

**NAPOMENA:** Pri postavljanju pojedinačne oštrice kosilice obavezno pričvrstite opružnu podlošku u smjeru prikazanom na slici.

**NAPOMENA:** Pri postavljanju pojedinačne oštrice kosilice obavezno umetnite vijke u rupe za vijke kako je prikazano na slici.

### Postavljanje oštrice kosilice

- ⚠ UPOZORENJE:** Pažljivo postavite oštricu kosilice. Gornja i donja strana razlikuju se.
- ⚠ UPOZORENJE:** Zatim čvrsto zategnite vijak u smjeru kazaljke na satu kako biste pričvrstili oštricu.
- ⚠ UPOZORENJE:** Pazite da su oštrica kosilice i svi pričvrtni dijelovi pravilno postavljeni i čvrsto zategnuti.
- ⚠ UPOZORENJE:** Kada mijenjate oštricu, uvijek se pridržavajte uputa u ovom priručniku.

**NAPOMENA:** Nakon postavljanja oštrica kosilice uklonite klin s kućišta kosilice.

Za postavljanje oštrica kosilice postupak uklanjanja provedite obrnutim redoslijedom.

# RJEŠAVANJE PROBLEMA

Prije nego što zatražite popravak, sami pregledajte stroj. Ako nađete na problem za koji ne postoji objašnjenje u priručniku, nemojte pokušavati rastaviti stroj. Umjesto toga obratite se ovlaštenom servisnom centru tvrtke Makita koji za popravke uvijek koristi zamjenske dijelove tvrtke Makita.

Stanje nepravilnosti	Mogući uzroci (kvar)	Otklanjanje problema
Kosilica se ne može pokrenuti.	Nisu umetnuta dva baterijska uložaka.	Umetnite dva napunjena baterijska uložaka.
	Problem s baterijom (pod naponom)	Ponovno napunite baterijski uložak. Ako ponovno punjenje nema učinka, zamijenite baterijski uložak.
	Nije umetnut ključ.	Umetnite ključ.
	Sklopka za odabir baterije nije u ispravnom položaju.	Odaberite priključak baterije u koji će se baterijski ulošci postaviti pomoću sklopke za odabir baterije.
Motor prestaje raditi nakon kratke upotrebe.	Razina napunjenosti baterije je niska.	Ponovno napunite baterijski uložak. Ako ponovno punjenje nema učinka, zamijenite baterijski uložak.
	Visina rezanja preniska je.	Povećajte visinu rezanja.
	Odrezana trava zapela je u kosilici.	Uklonite odrezanu travu iz kosilice.
Motor ne doseže maksimalni broj okretaja u minuti.	Baterijski uložak nepravilno je umetnut.	Postavite baterijski uložak kako je opisano u ovom priručniku.
	Snaga baterije pada.	Ponovno napunite baterijski uložak. Ako ponovno punjenje nema učinka, zamijenite baterijski uložak.
	Pogonski sustav ne radi ispravno.	Za popravak se obratite lokalnom ovlaštenom servisu.
Oštrica kosilice ne okreće se: ⇒ odmah zaustavite kosilicu!	U blizini oštrice zaglavio se strani predmet.	Uklonite strani predmet.
	Pogonski sustav ne radi ispravno.	Za popravak se obratite lokalnom ovlaštenom servisu.
Neuobičajene vibracije: ⇒ odmah zaustavite kosilicu!	Oštrica nije izbalansirana, pretjerano je ili neujednačeno istrošena.	Zamijenite oštricu.

## DODATNI PRIBOR

**⚠ OPREZ:** Ovaj dodatni pribor i dodaci preporučuju se za upotrebu s proizvodom tvrtke Makita navedenim u ovom priručniku. Upotreba bilo kojeg drugog dodatnog pribora ili dodataka može prouzročiti ozljede. Upotrebjavajte dodatni pribor ili dodatak samo za njegovu navedenu svrhu.

Ako vam je potrebna pomoć za više detalja u pogledu ovih dodatnih pribora, obratite se najbližem Makita servisnom centru.

- Oštrica kosilice
- Originalna baterija i punjač Makita

**NAPOMENA:** Neke stavke s popisa mogu se isporučiti zajedno s proizvodom kao standardni dodatni pribor. One mogu biti različite ovisno o zemlji.

## СПЕЦИФИКАЦИИ

Модел:		DLM462	DLM530	DLM532
Широчина на косењето (дијаметар на сечило)		460 мм	534 мм	
Брзина без оптоварување		2.500 мин. <sup>-1</sup>	2.300 мин. <sup>-1</sup>	
Максимална брзина		3.300 мин. <sup>-1</sup>	2.800 мин. <sup>-1</sup>	
Број на дел на резервно сечило на косилка	Рамно сечило на косилка	191D51-9	191D52-7	
	Наизменични сечила на косилка *1	191D49-6	191D50-1	
	Наизменични сечила на косилка *2	191D47-0	191D48-8	
Димензии (Д x Ш x В)		Д: 1.610 мм до 1.690 мм Ш: 535 мм В: 980 мм до 1.095 мм	Д: 1.630 мм до 1.715 мм Ш: 590 мм В: 990 мм до 1.095 мм	
Брзина на движење		2,5 - 5,0 км/ч	–	2,5 - 5,0 км/ч
Номинален напон		D.C. 36 V		
Нето тежина	Кога е монтирано рамно сечило на косилката	35,3 - 39,0 кг	35,5 - 39,3 кг	39,0 - 42,8 кг
	Кога се монтирани наизменични сечила на косилката	36,0 - 39,7 кг	36,2 - 40,0 кг	39,7 - 43,5 кг
Степен на заштита		IPX4		

\*1. Основна плоча и поединечни сечила на косилка.

\*2. Само поединечни сечила на косилка.

- Поради нашата континуирана програма за истражување и развој, спецификациите тука подлежат на промена без најава.
- Спецификациите може да се разликуваат од држава до држава.
- Тежината може да се разликува во зависност од додаточите, вклучувајќи ја и касетата за батерија. Најлесната и најтешката комбинација, согласно процедурата на ЕПТА 01/2014 (Европската асоцијација за електрични алати), се прикажани во табелата.

### Применлива касета за батерија

BL1815N / BL1820 / BL1820B / BL1830 / BL1830B / BL1840 / BL1840B / BL1850 / BL1850B / BL1860B

- Некои од касетите за батерии наведени погоре може да не се достапни зависно од регионот во кој живеете.

**⚠ ПРЕДУПРЕДУВАЊЕ:** Користете ги само касетите за батерии наведени погоре. Користењето какви било поинакви касети за батерии може да создаде ризик од повреда и/или пожар.

**⚠ ПРЕДУПРЕДУВАЊЕ:** Не користете напојување со кабел, како што се адаптер за батерии или пренослив пакет за напојување, со оваа машина. Кабелот од таквото напојување може да ја попречи работата и да резултира со телесна повреда.

### Симболи

Долунаведените ги прикажуваат символите што може да се користат кај опремата. Пред употребата, проверете дали го разбирате нивното значење.



Посветете особена грижа и внимание.



Прочитајте го упатството за користење.



Опасност: внимавајте на разлетани предмети.



Растојанието помеѓу алатот и лицата што се наоѓаат во близина треба да биде најмалку 15 м.



Никогаш не ставајте ги вашите раце и стапала во близина на сечилото под косилката. Сечилата продолжуваат да вртат откако моторот ќе се исклучи.



Извадете го клучот за блокирање пред да извршите проверка, прилагодување, чистење, сервисирање, или пред да ја оставите или складирате косилката.



Електрична опасност. Контакт со вода може да предизвика електричен шок.



Не иструајте вода.



Ni-MH  
Li-ion

Само за земјите на ЕУ  
Не фрлајте ја електричната опрема или батеријата заедно со домашниот отпад! Земајќи ги предвид европските директиви за отпадна електрична и електронска опрема и за батерии и акумулатори и отпадни батерии и акумулатори и нивното спроведување во согласност со националните закони, електричната опрема и батеријата/ите на крајот на нивниот работен век мора да се собираат одделно и да се вратат во еколошки објект за рециклирање.



## Наменета употреба

Машината е наменета за косење трева.

## Бучава

Типична А-вредност за ниво на бучавата одредена во согласност со EN60335-2-77:

**НАПОМЕНА:** Вредностите се измерени со косилката што е опремена со рамно сечило на косилка.

### Модел DLM462

Ниво на звучниот притисок ( $L_{pA}$ ): 82,7 dB (A)

Ниво на јачина на звукот ( $L_{WA}$ ): 90,9 dB (A)

Отстапување (K): 3 dB (A)

### Модел DLM530

Ниво на звучниот притисок ( $L_{pA}$ ): 78,1 dB (A)

Ниво на јачина на звукот ( $L_{WA}$ ): 90,4 dB (A)

Отстапување (K): 3 dB (A)

### Модел DLM532

Ниво на звучниот притисок ( $L_{pA}$ ): 78,1 dB (A)

Ниво на јачина на звукот ( $L_{WA}$ ): 90,4 dB (A)

Отстапување (K): 3 dB (A)

Нивото на бучава при работа може да надмине 80 dB (A).

**НАПОМЕНА:** Номиналната вредност(и) за емисија на бучава е измерена во согласност со стандардни методи за испитување и може да се користи за споредување алати.

**НАПОМЕНА:** Номиналната вредност(и) за емисија на бучава може да се користи и како прелиминарна процена за изложеност.

**▲ ПРЕДУПРЕДУВАЊЕ:** Носете заштита за ушите.

**▲ ПРЕДУПРЕДУВАЊЕ:** Емисијата на бучава при фактичкото користење на алатот може да се разликува од номиналната вредност(и), зависно од начинот на којшто се користи алатот, особено од тоа како вид работен материјал се обработува.

**▲ ПРЕДУПРЕДУВАЊЕ:** Погрижете се да ги утврдите безбедносните мерки за заштита на лицето кое ракува со алатот врз основа на процена на изложеноста при фактичките услови на употреба (земајќи ги предвид сите делови на работниот циклус, како периодите кога електричниот алат е исклучен и кога работи во празен од, не само кога е активен).

## Вибрации

Вкупна вредност на вибрациите (векторска сума на три оски) одредена во согласност со EN60335-2-77:

**НАПОМЕНА:** Вредностите се измерени со косилката што е опремена со рамно сечило на косилка.

### Модел DLM462

Ширење вибрации ( $a_h$ ): 2,5  $m/c^2$  или помалку  
Отстапување (K): 1,5  $m/c^2$

### Модел DLM530

Ширење вибрации ( $a_h$ ): 2,5  $m/c^2$  или помалку  
Отстапување (K): 1,5  $m/c^2$

### Модел DLM532

Ширење вибрации ( $a_h$ ): 2,5  $m/c^2$  или помалку  
Отстапување (K): 1,5  $m/c^2$

**НАПОМЕНА:** Вкупната вредност(и) на номиналната јачина на вибрациите е измерена во согласност со стандардни методи за испитување и може да се користи за споредување алати.

**НАПОМЕНА:** Вкупната вредност(и) на номиналната јачина на вибрациите може да се користи и како прелиминарна процена за изложеност.

**▲ ПРЕДУПРЕДУВАЊЕ:** Јачината на вибрациите при фактичкото користење на алатот може да се разликува од номиналната вредност(и), зависно од начинот на којшто се користи алатот, особено од тоа како вид работен материјал се обработува.

**▲ ПРЕДУПРЕДУВАЊЕ:** Погрижете се да ги утврдите безбедносните мерки за заштита на лицето кое ракува со алатот врз основа на процена на изложеноста при фактичките услови на употреба (земајќи ги предвид сите делови на работниот циклус, како периодите кога електричниот алат е исклучен и кога работи во празен од, не само кога е активен).

## Декларација за сообразност од ЕУ

*Само за земјите во Европа*

Декларацијата за сообразност од ЕУ е вклучена во Додаток А од упатствата за корисникот.

## БЕЗБЕДНОСНИ ПРЕДУПРЕДУВАЊА

### ВАЖНИ БЕЗБЕДНОСНИ УПАТСТВА

**▲ ПРЕДУПРЕДУВАЊЕ:** Прочитајте ги сите безбедносни предупредувања и сите упатства. Ако не се почитуваат предупредувањата и упатствата, може да дојде до струен удар, пожар или тешки повреди.

**Чувајте ги сите предупредувања и упатства за да можете повторно да ги прочитате.**

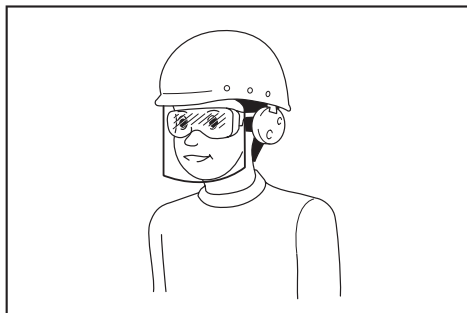
Обука

1. Прочитајте ги упатствата внимателно. Запознајте се со контролите и правилната употреба на косилката.
2. Никогаш не дозволувајте деца или луѓе што не се запознаени со упатствата да ја користат косилката. Локалните прописи може да ја ограничуваат возраста на операторот.
3. Никогаш не работете со косилката кога има луѓе, особено деца или домашни животни во близина.

4. Имајте на ум дека операторот или корисникот е одговорен за несреќите или опасностите што им се случуваат на другите луѓе или нивниот имот.
5. Децата треба да се надгледуваат за да не си играат со косилката.
6. Физичка состојба - Не работете со косилката ако сте под влијание на наркотични средства, алкохол или какви било лекајства.

#### Подготовка

1. Додека работите со косилката, секогаш носете цврсти обувки и долги панталони. Не ракувајте со косилката боси или со отворени сандали. Избегнувајте да носите облека или накит што се лабави, или што имаат висечки кабли или врвки. Тие може да бидат зафатени во подвижните делови.
2. Пред употреба, секогаш визуелно проверувајте дали е оштетена косилката, дали штитниците или заштитниците недостасуваат или не се поставени правилно.
3. Осигурете се да нема други луѓе во работната област пред да започнете со косење. Запрете ја косилката ако некој влезе во областа.
4. Не вметнувајте го клучот за блокирање во косилката додека не се подготви за употреба.
5. Секогаш носете заштитни очила за да ги заштитите очите од повреда кога користите електрични алати. Очилата мора да се усогласени со ANSI Z87.1 во САД, EN 166 во Европа или AS/NZS 1336 во Австралија/Нов Зеланд. Во Австралија/Нов Зеланд исто така постои законска обврска за носење штитник за лице за да си го заштитите лицето.



Работодавачот е одговорен дали операторите со алатот и другите лица во непосредната работна околина носат соодветна безбедносна заштитна опрема.

6. Пред работата, проверете дали има пукнатини или оштетувања на сечилото или на неговите завртки. Веднаш заменете ги сечилата или завртките ако имаат пукнатини или оштетувања.
7. Отстранете ги надворешните материји, како што се камења, жици, шибиња, коски и поголеми стапчиња од работната област пред да започнете со косење за да спречите телесна повреда или оштетување на косилката.

8. Предметите заглавени во сечилото на косилката за трева може да предизвикаат тешки повреди кај луѓето. Тревникот треба секогаш внимателно да се прегледа и да се расчисти од сите предмети пред секое започнување со косење.
9. Внимавајте на дупки, бразди, грутки, камења или други сокриени предмети. Нерамниот терен може да предизвика незгода од лизгање и паѓање. Високата трева може да крие пречки.
10. Не вметнувајте го и не вадете го клучот за блокирање на дожд.
11. Користете лична заштитна опрема. Секогаш носете заштита за очите. Заштитната опрема, како на пример маска за прав, заштитни чевли што не се лизгаат, тврда капа или заштита за слухот, што се користи за соодветни услови, ќе ги намали физичките повреди.

#### Работење

1. Не пресегајте предалеку. Одржувајте рамнотежа цело време. Секогаш внимавајте како газите по стрмнини. Одете, никогаш не трчајте.
2. Сопрете ја косилката и извадете го клучот за блокирање, потоа осигурете се дека сите подвижни делови целосно задреле:
  - секогаш кога ја оставате косилката,
  - пред чистење затнати места или одзатнување на резервоарот,
  - пред извршување проверка, чистење или изведуваче работи врз косилката,
  - откако ќе удриете во некој предмет.
 Проверете дали на косилката има оштетувања и поправете ја пред одново да ја стартувате и да ракувате со неа,
  - кога косилката ќе започне да вибрира ненормално.
3. Никогаш не работете со косилката со неисправни штитници или прегради, или без да се поставени безбедносни уреди, на пример, одбивачи и/или корпи за трева.
4. Избегнувајте користење на косилката при лоши временски услови, особено кога има ризик од грмотевици.
5. Носете заштита за очите и обувки со дебели фони цело време додека работите со косилката.
6. Работете со косилката само дење или на добро вештачко светло.
7. Внимателно вклучете ја косилката во согласност со упатствата, држејќи ги стапалата подалеку од сечилото(ата).
8. Внимавајте да не дојде до повреда на стапалата и рацете од сечилата на косилката.
9. Секогаш осигурувајте се дека отворите за вентилација се чисти.
10. На падини, косете напречно, никогаш надолу или нагоре. Бидете многу претпазливи кога менувате насока на падини. Не косете многу стрмни падини.
11. Бидете многу внимателни кога ја ставате во рикверц или кога ја влечете косилката кон вас.

12. Сопрете го сечилото(ата) ако косилката треба да се навали за превоз кога се поминуваат површини што не се тревни и кога ја пренесувате косилката до и од подрачјето што треба да се коси.
  13. Не навалувајте ја косилката кога го вклучувате моторот, освен ако косилката мора да се навали за да се стартува. Во овој случај, не навалувајте ја повеќе отколку што е апсолутно потребно и подигнете го само оној дел што е подалеку од ракувачот. Секогаш уверете се дека двете раце се во работна позиција пред да ја вратите косилката на земјата.
  14. Не ставајте ги рацете или стапалата близу или под вртливите делови. Бидете подалеку од отворот за исфрлање во секое време.
  15. Не транспортирајте ја косилката додека таа е вклучена.
  16. Избегнувајте да работите со косилката на влажна трева.
  17. Секогаш цврсто држете ја рачката.
  18. Не фаќајте ги изложените сечила или рабови за сечење кога ја кревате или држите косилката.
  19. Држете ги рацете и стапалата подалеку од сечилата што вртат. Внимание - Сечилата продолжуваат да вртат откако ќе се исклучи косилката.
  20. Ако забележите нешто необично, веднаш запрете со работа. Исклучете ја косилката и извадете го клучот за блокирање. Потоа, проверете ја косилката.
  21. Ако косилката има функција за нагодување на висината, никогаш не обидувајте се да ја нагодите висината на сечењето додека косилката работи.
  22. Отпуштете го лостот на прекинувачот и почекајте сечилото да запре со вртење пред да преминете преку улица, патека, патишта и какви било области покриени со чакал. Исто така, извадете го клучот за блокирање ако ја оставате косилката, се обидуваат да подигнете нешто или да отстраните нешто од вашиот пат или заради каква било друга причина што може да го одвлече вашето внимание од работата што ја извршувате.
  23. Ако косилката удри во надворешен предмет, следете ги овие чекори:  
- Запрете ја косилката, отпуштете ја рачката на прекинувачот и почекајте додека сечилото целосно не застане.  
- Извадете ги клучот за блокирање и касетата за батеријата.  
- Внимателно проверете дали на косилката има какви било оштетувања.  
- Заменете го сечилото ако е оштетено на каков било начин. Поправете ги сите оштетувања пред одново да ја стартувате и да продолжите да работите со косилката.
  24. Не стартувајте ја косилката додека стоите пред отворот за исфрлање.
  25. Ако косилката почне да вибрира абнормално (веднаш проверете)  
- проверете дали има оштетувања,  
- заменете ги или поправете ги сите оштетени делови,  
- проверете ги и прицврстете ги сите олабавени делови.
  26. Никогаш не насочувајте го исфрлениот материјал кон некого. Избегнувајте исфрлање на материјалот кон сид или препрека. Материјалот може да се одбие наназад кон операторот. Сопрете го сечилото при поминување преку површини со чакал.
  27. Не тегнете ја косилката наназад освен ако не е апсолутно неопходно. Кога треба да ја вратите косилката наназад од ограда или друга слична пречка, погледнете надолу и зад вас пред и за време на враќањето наназад.
  28. Исклучете го моторот и почекајте додека сечилото не сопре целосно пред да ја отстраните мрежата за трева. Внимавајте на вртењето на сечилата по исклучувањето.
  29. Кога ја користите машината на каллива земја, влажни падини или лизгави места, внимавајте како газите.
  30. Избегнувајте работење во лоша средина каде што се очекува зголемен замор.
  31. Не користете ја машината на лошо време кога видливоста е намалена. Во спротивно, може да дојде до пад или неправилна работа поради лошата видливост.
  32. Не поминувајте со машината низ вирови.
  33. Кога ќе се залепат лисја или нечистотија на устието на смукалката (прозорецот за вентилација) поради дожд, отстранете ги.
  34. Не користете ја машината на снег.
  35. Ако отсечената трева е влажна, веројатно е дека ќе биде заглавена во машината. Редовно проверувајте ја состојбата на машината и отстранете ја залепената трева ако е потребно.
  36. Кога ракувате со машината, внимавајте на цевки и жици.
  37. Не користете напојување со кабел, како што се адаптер за батерии или пренослив пакет за напојување, со оваа машина. Кабелот од таквото напојување може да ја попречи работата и да резултира со телесна повреда.
- Одржување и чување**
1. Заменувајте ги изабените и оштетените делови заради безбедност. Користете само оригинални делови и додатоци за замена.
  2. Проверувајте ја и одржувајте ја косилката редовно.
  3. Кога не се користи, складирајте ја косилката надвор од дофат на деца.
  4. Одржувајте ги сите навртки и завртки стегнати за да бидете сигурни дека опремата е во безбедна работна состојба.
  5. Често проверувајте дали корпата за трева е изабена или дотраена. За складирање, секогаш погрижете се корпата за трева да е празна. Заменете ја изабената корпа за трева со нова, фабрички заменета, заради безбедност.
  6. Користете само оригинални сечила од производителот назначени во ова упатство.

7. **Внимавајте при прилагодувањето на косилката да спречите да дојде до заглавување на прстите помеѓу сечилата што се движат и фиксните делови на косилката.**
8. **Проверувајте на чести временски интервали, дали завртката за монтирање на сечилото е правилно стегната.**
9. **Секогаш оставајте ја косилката да се олади пред да ја складирате.**
10. **Кога ги сервисирате сечилата, имајте предвид дека дури и ако алатот не е приклучен во извор на електрична енергија, сечилата сè уште може да се во движење.**
11. **Никогаш не отстранувајте ги и не менувајте ги безбедносните уреди. Проверувајте го нивното правилно функционирање редовно. Никогаш не правете нешто што би ја попречило наменетата функција на безбедносниот уред или би ја намалило заштитата што тој ја дава.**
12. **Не оставајте ја машината без надзор надвор на дожд.**
13. **Не мијте ја машината со вода под висок притисок.**
14. **При миење на машината, отстранете ја батеријата и клучот за блокирање и затворете го капакот на батеријата. Ставајте вода кон дното на машината на коешто е закачено сечилото.**
15. **При складирање на машината, избегнувајте директна сончева светлина и дожд и складирајте ја на ладно и суво место.**
16. **Инспекцијата или одржувањето изведувајте ги на места засолнати од дожд.**
17. **По користење на машината, отстранете ја залепената нечистотија и исушете ја машината целосно пред да ја складирате. Зависно од сезоната и областа, постои ризик од дефект поради замрзнување.**

#### **Користење и грижа за алатот на батерии**

1. **Полнете само со полначот одреден од страна на производителот. Полнач што е соодветен за еден тип батерија може да создаде ризик од пожар кога се користи со друга батерија.**
2. **Исклучиво користете ги електричните алати со конкретно наменети батерии. Користењето други батерии може да создаде ризик од повреда или пожар.**
3. **Кога батеријата не се користи, држете ја настрана од други метални предмети, како што се спојувалки, монети, клучеви, шрафови или други мали метални предмети што можат да послужат како врска од еден на друг приклучок. Краткиот спој на батериските приклучоци може да доведе до изгореници или пожар.**
4. **При случаи на злоупотреба, од батеријата може да истече течност. Избегнувајте контакт со неа. Ако дојде до ненамерен контакт, измијте со вода. Ако течноста дојде во допир со очите, побарајте дополнителна медицинска помош. Течноста што истекла од батеријата може да предизвика иритација или изгореници.**

5. **Не користете батерии или алат што се оштетени или менувани. Оштетените или менуваните батерии може да прикажуваат непредвидливо однесување што резултира со оган, експлозија или опасност од повреда.**
6. **Не изложувајте ги батериите или алатот на оган или прекумерна температура. Изложувањето на оган или температура над 130°C може да предизвика експлозија.**
7. **Следете ги сите упатства за полнење и не полнете ги батериите или алатот надвор од температурниот опсег наведен во упатството. Неправилното менување или менувањето на температури надвор од наведениот опсег може да ја оштети батеријата и да ја зголеми опасноста од оган.**

#### **Безбедност на електричните делови и батеријата**

1. **Не фрлајте ги батериите во оган. Келијата може да експлодира. Проверете ги локалните прописи за можни упатства за специјален отпад.**
2. **Не отворајте ги и не уништувајте ги батериите. Електролитот што се ослободува е корозивен и може да предизвика оштетување на очите или кожата. Може да е токсичен ако се голтне.**
3. **Не полнете ја батеријата на дожд или на влажни места.**
4. **Не полнете ја батеријата надвор.**
5. **Не држете го полначот, вклучувајќи го и приклучокот за полначот и терминалите на полначот со влажни раце.**
6. **Не заменувајте ја батеријата на дожд.**
7. **Не влажете ги терминалите на батеријата со течности како вода и не потопувајте ја батеријата во вода. Не оставајте ја батеријата на дожд и немојте да ја полните, користите или складирате батеријата на влажни места. Ако се навлажат терминалите или навлезе течност во батеријата, може да дојде до краток спој на батеријата и тогаш постои ризик од прегревање, пожар или експлозија.**
8. **Откако ќе ја отстраните батеријата од машината или полначот, прикачете го капакот на батеријата и складирајте ја на суво место.**
9. **Не заменувајте ја батеријата со влажни раце.**

#### **Сервисирање**

1. **Вашиот електричен алат сервисирајте го кај квалификувано лице за поправки, кое користи само идентични резервни делови. Така ќе бидете сигурни дека електричниот алат и понатаму е безбеден.**
2. **Никогаш не сервисирајте оштетени батерии. Сервисирањето на батериите треба да ги извршува само производителот или овластените сервисери.**

## **ЧУВАЈТЕ ГО УПАТСТВОТО.**

**▲ ПРЕДУПРЕДУВАЊЕ:** НЕ ДОЗВОЛУВАЈТЕ удобноста или познавањето на производот (стекнати со подолга употреба) да ве наведат да не се придржувате строго до безбедносните правила за овој производ.

**ЗЛОУПОТРЕБАТА** или непочитувањето на безбедносните правила наведени во ова упатство може да предизвикаат тешка телесна повреда.

## Важни безбедносни упатства за касетата за батеријата

1. Пред користење на касетата за батеријата, прочитајте ги сите упатства и ознаки за претпазливост на (1) полначот за батеријата, (2) батеријата и (3) производот што ја користи батеријата.
2. Не расклопувајте ја, ниту експериментирајте со касетата за батеријата. Тоа може да резултира со оган, прекумерна топлина или експлозија.
3. Ако оперативното времето станало прекумерно кратко, престанете веднаш со работа. Тоа може да резултира со ризик од прегревање, можни изгореници, па дури и експлозија.
4. Ако електролит навлезе во вашите очи, измијте ги со чиста вода и побарајте медицинска нега веднаш. Тоа може да резултира со губење на вашиот вид.
5. Не предизвикувајте спој на касетата за батеријата.
  - (1) Не допирајте ги контактите со никаков проводлив материјал.
  - (2) Избегнувајте да ја чувате касетата за батерија во сад со други метални предмети како што се шајки, монети и сл.
  - (3) На изложувајте ја касетата за батеријата на вода или дожд.Краткиот спој на батеријата може да предизвика голем проток на електрична енергија, прегревање, можни изгореници, па дури и пад на напојувањето.
6. Не складирајте и не користете ги алатот и касетата за батеријата на места каде што температурата може да достигне или надминува 50 °C (122 °F).
7. Не палете ја касетата за батеријата дури и кога е многу оштетена или целосно потрошена. Касетата за батеријата може да експлодира ако се стави во оган.
8. Не заковувајте ја, сечете ја, фрлајте ја, испуштајте ја касетата за батерија, ниту удирајте ја од тврд предмет касетата за батеријата. Таквото однесување може да резултира со оган, прекумерна топлина или експлозија.
9. Не користете оштетена батерија.

10. Содржаните батерии со литиумови јони се подложни на условите во Правилата за опасни предмети.

За комерцијален транспорт на пр. од трети лица и посредници, мора да се следат посебните услови на пакувањата или ознаките. При подготовка на предметот кој треба да се испрати, консултирајте се со експерт за опасни материјали. Исто така, следете ги потенцијално подеталните национални правила. Залепете ги со леплива лента или маскирајте ги отворените контакти, а батеријата спакувајте ја, така што нема да се движи слободно во пакувањето.
11. Кога ја фрлате во отпад касетата за батеријата, извадете ја од алатот и фрлете ја на безбедно место. Почитувајте ги локалните законски прописи што се однесуваат на фрлање во отпад на батеријата.
12. Користете ги батериите само со производите назначени од Makita. Монтирањето батерии на неусогласените производи може да резултира со пожар, прекумерна топлина, експлозија или истекување на електролитот.
13. Доколку алатот не се користи подолг временски период, батеријата мора да се извади од алатот.
14. Пред и по употребата, касетата за батеријата може да прими топлина што може да предизвика изгореници или изгореници од ниска температура. Внимавајте како ракувате со жешките касети за батерии.
15. Не допирајте го терминалот на алатот непосредно по употребата бидејќи може да се загрее доволно за да предизвика изгореници.
16. Не дозволувајте деланки, прав или земја да се заглават во терминалите, отворите и жлебовите на касетата за батерија. Тоа може да резултира со слаба изведба или пад на напојувањето на алатот или касетата за батерија.
17. Освен ако алатката не поддржува употреба на електричните далноводи со висок напон во близина, не користете ја касетата за батерија во близина на електричните далноводи со висок напон. Тоа може да резултира со дефект или пад на напојувањето на алатот или касетата за батерија.
18. Држете ја батеријата подалеку од деца.

## ЧУВАЈТЕ ГО УПАТСТВОТО.

**▲ ВНИМАНИЕ:** Користете само оригинални батерии на Makita. Користењето неоригинални батерии на Makita или батерии што се изменети може да резултира со распакување на батеријата, предизвикувајќи пожар, телесна повреда и оштетување. Тоа исто така ќе ја поништи гаранцијата на Makita за алатот и полначот на Makita.

## Совети за одржување максимален работен век на батеријата

1. Заменете ја касетата за батеријата пред целосно да се испразни. Секогаш запирајте ја работата со алатот и заменете ја касетата за батеријата кога ќе забележите дека алатот дава помала моќност.
2. Никогаш немојте да полните целосно полна касета за батерија. Прекумерното полнење го скратува работниот век на батеријата.
3. Полнете ја касетата за батеријата на собна температура од 10°C - 40°C. Дозволете загреаната касета за батерија да се олади пред да ја ставите на полнење.
4. Кога не ја користите касетата за батерија, извадете ја алатот или полначот.
5. Полнете ја касетата за батеријата доколку не ја користите подолго време (повеќе од шест месеци).

## СОСТАВУВАЊЕ

**▲ ПРЕДУПРЕДУВАЊЕ:** Секогаш осигуравајте се клучот за блокирање и батеријата да се извадени пред да вршите каква било работа врз косилката. Ако не ги извадите клучот за блокирање и батеријата, може да дојде до тешка телесна повреда заради случајно стартување.

**▲ ПРЕДУПРЕДУВАЊЕ:** Никогаш не стартувајте ја косилката ако не е целосно составена. Работењето со делумно составена машина може да резултира со тешка телесна повреда заради случајно стартување.

## Монтирање на рачката

**ЗАБЕЛЕШКА:** Кога ги монтирате рачките, поставете ги каблите така да не можат да зафатат од ништо помеѓу рачките. Ако се оштети кабелот, можно е прекинувачот на косилката да не работи.

1. Порамнете ги отворите на долната рачка со отворите на телото на косилката, а потоа привремено затегнете ги 4-те завртки.  
► **Сл.1:** 1. Долна рачка 2. Завртка
2. Цврсто затегнете ги 4-те завртки кои беа привремено затегнати во чекорот 1 со помош на окаст клуч 13.
3. Порамнете ги отворите на долната и горната рачка, потоа вметнете ја завртката однатре, а потоа зацврстете ја навртката од надворешната страна со окаст клуч 13. Извршете ја истата постапка на другата страна.  
► **Сл.2:** 1. Завртка 2. Долна рачка 3. Навртка 4. Отвор 5. Горна рачка

**▲ ВНИМАНИЕ:** Цврсто држете ја горната рачка за да не ви испадне од раката. Во спротивно, рачката може да падне и да предизвика повреда.

4. Прицврстете ги држачите на рачката.

Порамнете ги испакнатите делови на држачот со отворите на рачката така што испакнатите делови да се вклопат во отворите. Наместете ги каблите како што е прикажано на сликата.

► **Сл.3:** 1. Кабел 2. Држач

## Отстранување на приклучокот за компост

1. Отворете го задниот капак.  
► **Сл.4:** 1. Заден капак
2. Отстранете го приклучокот за компост држејќи ја рачката надолу.  
► **Сл.5:** 1. Лост 2. Приклучок за компост

## Монтирање или вадење на корпата за трева

За да ја монтирате корпата за трева, следете ги чекорите подолу.

1. Отворете го задниот капак.  
► **Сл.6:** 1. Заден капак
2. Држете ја рачката на корпата за трева, а потоа прикачете ја корпата за трева на прачката на телото на косилката како што е прикажано на сликата.  
► **Сл.7:** 1. Прачка 2. Рачка 3. Корпа за трева

За да ја отстраните корпата за трева, отворете го задниот капак, а потоа извадете ја корпата за трева, држејќи ја рачката.

## Прикачување на приклучокот за компост

1. Отворете го задниот капак и отстранете ја корпата за трева.  
► **Сл.8:** 1. Заден капак 2. Корпа за трева
2. Прикачете го приклучокот за компост држејќи го лостот надолу, а потоа ослободете го лостот за да го заклучите приклучокот за компост.  
► **Сл.9:** 1. Лост 2. Приклучок за компост

## Прикачување на додатокот за исфрлање

За DLM530/DLM532

1. Отворете го задниот капак и отстранете ја корпата за трева.  
► **Сл.10:** 1. Заден капак 2. Корпа за трева
2. Прикачете го приклучокот за компост држејќи го лостот надолу, а потоа ослободете го лостот за да го заклучите приклучокот за компост.  
► **Сл.11:** 1. Лост 2. Приклучок за компост

3. Отворете го десниот капак и прикачете го додатокот за исфрлање.

Вметнете ги куките на додатокот за исфрлање под прачката на десниот капак.

► **Сл.12:** 1. Десен капак 2. Додаток за исфрлање

# ОПИС НА ФУНКЦИИТЕ

## Монтирање или отстранување на касетата за батеријата

**▲ВНИМАНИЕ:** Секогаш исклучувајте ја машината пред да ја монтирате или отстраните касетата за батеријата.

**▲ВНИМАНИЕ:** Држете ги машината и касетата за батеријата цврсто кога ја монтирате или вадите касетата за батеријата. Ако не ги држете цврсто машината и касетата за батеријата, тие може да се лизнат од вашите раце и да дојде до нивно оштетување, како и до телесна повреда.

**▲ВНИМАНИЕ:** Осигурете се да го блокирате капакот на батеријата пред употребата. Во спротивно, калта, нечистотиите или водата може да предизвикаат оштетување на производот или на батеријата.

**▲ВНИМАНИЕ:** Секогаш монтирајте ја касетата за батерија целосно додека црвениот индикатор не се изгасне. Во спротивно, може ненадејно да испадне од машината, предизвикувајќи ви повреда вам или на некој друг околу вас.

**▲ВНИМАНИЕ:** Немојте да ја монтирате касетата за батеријата на сила. Ако касетата не може да се лизне лесно, тоа значи дека не е поставена правилно.

**НАПОМЕНА:** Машината не работи само со една касета за батерија.

### За да ја монтирате батеријата;

1. Повлечете го лостот за блокирање нагоре, а потоа отворете го капакот за батеријата.

► **Сл.13:** 1. Капак на батеријата 2. Лост за блокирање

2. Порамнете ги јазичето од касетата за батерија со отворот на машината, потоа турнете ја касетата додека не се блокира во место при што ќе се слушне мало кликување.

► **Сл.14:** (1) Порта за батерии 1 (2) Порта за батерии 2 (3) Касета за батерија

**НАПОМЕНА:** Монтирајте најмалку 2 касети за батерии во портата за батерии 1 или портата за батерии 2.

3. Вметнете го клучот за блокирање во местото покажано на сликата и турнете го до крај.

► **Сл.15:** 1. Клуч за блокирање

4. Затворете го капакот на батеријата и туркајте го додека не се стегне со рачката за блокирање.

### За да ја отстраните касетата за батеријата;

1. Повлечете го лостот за блокирање нагоре и отворете го капакот за батеријата.

2. Повлечете ја касетата за батеријата од машината додека го лизгате копчето на предната страна на касетата.

3. Извлечете го клучот за блокирање.

4. Затворете го капакот на батеријата.

## Промена на касетите за батеријата

► **Сл.16:** 1. Прекинувач за избор на батеријата

Машината користи 2 касети за батерија за работа истовремено. Може да се монтираат до 4 касети за батерија во машината. Пред работа со машината, изберете порта за батерија 1 или порта за батерија 2 со вртење на прекинувачот за избор на батерија.

**НАПОМЕНА:** Ако само 2 батерии се монтирани на машината, бидете сигурни да ја изберете портата за батерија на која се монтирани касетите за батеријата со помош на прекинувачот за избор на батерија.

## Систем за заштита на машината/ батеријата

Машината е опремена со систем за заштита на машината/батеријата. Овој систем автоматски го прекинува напојувањето на моторот за да го продолжи работниот век на машината и на батеријата. Машината автоматски ќе се исклучи за време на работењето ако тој или батеријата се најдат под еден од следниве услови:

### Заштита од преоптоварување

Кога со батеријата се ракува на начин што предизвикува повлекување нетипично висока струја, машината автоматски се исклучува и ламбичката за главно напојување трепка зелено. Во таква ситуација, исклучете ја машината и запрете со примената што предизвикала негово преоптоварување. Потоа, вклучете ја машината за да се рестартира.

### Заштита од прегревање

Кога машината или батеријата се прегреани, машината автоматски ќе запре и ламбичката за главно напојување трепка црвено. Во овој случај, оставете ги машината и батеријата да се оладат пред повторно да ја вклучите.

### Заштита од прекумерно празнење

Кога капацитетот на батеријата не е доволен, машината автоматски ќе запре и ламбичката за главно напојување трепка црвено. Во овој случај, извадете ја батеријата од машината и наполнете ги касетите за батерија или сменете ги со целосно наполнети.

## Укажување на преостанатиот капацитет на батеријата

### Само за батерии со индикатор

► **Сл.17:** 1. Индикаторски ламбички 2. Копче за проверка

Притиснете го копчето за проверка на касетата за батеријата за укажување на преостанатиот капацитет на батеријата. Индикаторските ламбички светнуваат неколку секунди.

Индикаторски ламбички			Преостанат капацитет
Запалено	Исклучено	Трепка	
			75% до 100%
			50% до 75%
			25% до 50%
			0% до 25%
			Наполнете ја батеријата.
			Батеријата можеби е неисправна.

**НАПОМЕНА:** Во зависност од условите на користење и амбиенталната температура, индикацијата може да се разликува во мала мера од реалниот капацитет.

## Контролен панел

На контролниот панел се наоѓаат прекинувачот за главно напојување, копчето за менување режим и индикаторот за преостанат капацитет на батеријата.

- **Сл.18:** 1. Индикатор за батерија 2. Ламбичка за промена на режимот 3. Ламбичка за главно напојување 4. Копче за проверка 5. Копче за промена на режимот 6. Прекинувач за главно напојување

## Прекинувач за главно напојување

**▲ ПРЕДУПРЕДУВАЊЕ:** Секогаш исклучувајте го прекинувачот за главно напојување кога не се користи.

За да ја вклучите машината, притиснете го прекинувачот за главно напојување. Ламбичката за главно напојување светнува зелено. За да ја исклучите машината, повторно притиснете го прекинувачот за главно напојување.

**НАПОМЕНА:** Доколку ламбичката за главно напојување свети црвено или трепка црвено или зелено, погледнете ги упатствата за системот за заштита на машината/батеријата.

**НАПОМЕНА:** Оваа машина има вградена функција за автоматско исклучување. За избегнување на ненамерното стартување, прекинувачот за главно напојување автоматски ќе се исклучи кога лостот на прекинувачот и погонскиот лост (доколку го има) не се повлекуваат определено време по вклучување на прекинувачот за главно напојување.

## Копче за промена на режимот

Режимот на работење може да го промените со притискање на копчето за промена на режимот. Кога ќе се вклучи машината, таа стартува во нормален режим. Кога ќе го притиснете копчето за промена на режимот, машината се префрла на режимот за намалување на бучавата и ламбичката за промена на режимот светнува зелено. Во режимот за намалување на бучавата може да ја намалите бучавата при косење. Кога повторно ќе го притиснете копчето за промена на режимот, машината се враќа во нормален режим.

## Укажување на преостанатиот капацитет на батеријата

Притиснете го копчето за проверка за укажување на преостанатиот капацитет на батеријата. Индикаторите за батерија соодветствуваат на секоја од батериите.

Статус на индикатор за батерија		Преостанат капацитет на батеријата
Вклучено	Исклучено	
		50% - 100%
		20% - 50%
		0% - 20%

**НАПОМЕНА:** Ламбичката на индикаторот за преостанатиот капацитет на батеријата е само за референца. Вистинскиот капацитет на батеријата може да се разликува зависно од условите на користење.

**НАПОМЕНА:** Пред да го притиснете го копчето за проверка за укажување на преостанатиот капацитет на батеријата, запрете ја машината.

## Вклучување

**▲ ПРЕДУПРЕДУВАЊЕ:** Пред да ја монтирате касетата за батеријата, секогаш проверувајте дали рачката на прекинувачот правилно се активира и се враќа во почетната положба кога ќе се отпушти. Ако работите со машина чиј прекинувач не работи исправно може да доведе до загуба на контролата и тешка телесна повреда.

**НАПОМЕНА:** Косилката не стартува без да се притисне копчето на прекинувачот, дури и ако рачката на прекинувачот е повлечена.

**НАПОМЕНА:** Косилката може да не стартува поради оптоварување кога ќе косите долго одеднаш или кога ќе косите густа трева. Во тој случај, зголемете ја височината на косењето.



Оваа косилка е опремена со клуч за блокирање и рачен прекинувач. Доколку забележите нешто необично кај клучот за блокирање или прекинувачот, веднаш запрете со работа и нарачајте нивна проверка од страна на најблискиот овластен сервисен центар на Makita.

### За DLM462/DLM532

1. Монтирајте ги батериите. Вметнете го клучот за блокирање, а потоа затворете го капакот на батеријата.
  2. Изберете ја касетата за батерија која се користи за работа со вртење на прекинувачот за избор на батерија.
  3. Притиснете го прекинувачот за главно напојување.
  4. Повлечете ја рачката на прекинувачот кон вас додека го држите надолу копчето на прекинувачот. Отпуштете го копчето на прекинувачот штом моторот почне да работи.
- **Сл.19:** 1. Копче на прекинувач 2. Рачка на прекинувач

**НАПОМЕНА:** Доколку клучот за блокирање не е вметнат, ламбичката за напојување трепка зелено кога ќе го повлечете лостот на прекинувачот.

5. Додека го држите лостот на прекинувачот, турнете го погонскиот лост напред и држете го така за да се вклучат задните тркала.
- **Сл.20:** 1. Погонски лост

**НАПОМЕНА:** Може да ги вклучите задните тркала ако го турнете погонскиот лост напред и го држите без повлекување на рачката на прекинувачот.

6. Ослободете го погонскиот лост и рачката на прекинувачот за да ја прекинете машината.

### За DLM530

1. Монтирајте ги батериите. Вметнете го клучот за блокирање, а потоа затворете го капакот на батеријата.
  2. Изберете ја касетата за батерија која се користи за работа со вртење на прекинувачот за избор на батерија.
  3. Притиснете го прекинувачот за главно напојување.
  4. Повлечете ја рачката на прекинувачот кон вас додека го држите надолу копчето на прекинувачот. Отпуштете го копчето на прекинувачот штом моторот почне да работи.
- **Сл.21:** 1. Копче на прекинувач 2. Рачка на прекинувач

**НАПОМЕНА:** Доколку клучот за блокирање не е вметнат, ламбичката за напојување трепка зелено кога ќе го повлечете лостот на прекинувачот.

5. Отпуштете ја рачката на прекинувачот за да го запрете моторот.

## Прилагодување на височината на косење

**▲ПРЕДУПРЕДУВАЊЕ:** Никогаш не ставајте ја вашата рака или нога под косилката кога ја прилагодувате височината на косење.

**▲ПРЕДУПРЕДУВАЊЕ:** Секогаш осигурајте се дека рачката правилно влегува во жлебот пред да започнете со работа.

Височината на косење може да се нагоди во опсег помеѓу 20 мм и 100 мм.

Издадете го клучот за блокирање, а потоа извлечете го лостот за нагудување на височината на косењето надвор од телото на косилката и преместете го на саканата височина на косење.

► **Сл.22:** 1. Рачка за нагудување на височината на косењето

Табелата подолу го прикажува односот помеѓу бројот на телото на косилката и приближната височина на косење.

Број	Височина на косење
1	20 мм
2	26 мм
3	32 мм
4	39 мм
5	47 мм
6	55 мм
7	63 мм
8	74 мм
9	86 мм
10	100 мм

Држете ја предната дршка или долната рачка со едната рака и преместете ја рачката за нагудување на височината на косењето со другата рака.

► **Сл.23:** 1. Рачка за нагудување на височината на косењето 2. Долна рачка 3. Предна дршка

**НАПОМЕНА:** Броевите за височината на косењето треба да се користат како напатствија. Во зависност од условите на тревникот или теренот, вистинската височина на косењето може да биде нешто поинаква од поставената височина.

**НАПОМЕНА:** Направете пробно косење на тревата на поневидливо место за да ја добиете саканата височина.

## Индикатор за ниво на трева

Индикаторот за ниво на трева го покажува волуменот на искосената трева. Кога корпата за трева не е полна, индикаторот лебди додека сечилата работат.

► **Сл.24:** 1. Индикатор за ниво на трева

Кога корпата за трева е речиси полна, индикаторот не лебди додека сечилата работат. Во овој случај, веднаш запрете ја работата и испразнете ја корпата.

► **Сл.25:** 1. Индикатор за ниво на трева

**НАПОМЕНА:** Овој индикатор е груб водич. Во зависност од условите на внатрешноста на корпата, овој индикатор може да не работи исправно.

## Нагодување на висината на рачката

**⚠ВНИМАНИЕ:** Пред да ги отстраните завртките, цврсто држете ја горната рачка. Во спротивно, рачката може да падне и да предизвика повреда.

Висината на рачката може да се нагоди на две нивоа.

1. Отстранете ги горните завртки на долната рачка со помош на окаст клуч 13, а потоа олабавете ги долните завртки.  
► **Сл.26:** 1. Горна завртка 2. Долна завртка

2. Нагодете ја висината на рачката, а потоа цврсто затегнете ги горните и долните завртки.

## Нагодување на брзината на движење

За DLM462/DLM532

► **Сл.27:** 1. Лост за брзина

Брзината на движење може да се нагодува со лостот за брзина. За да ја намалите брзината повлечете го лостот кон вас, а за да ја зголемите брзината свртете го лостот напред.

## Користење на приклучокот за компост

Приклучокот за компост ви овозможува да ја вратите исечената трева на земјата без да ја собирате во корпата за трева. Ако ја користите машината со приклучокот за компост, претходно отстранете ја корпата за трева.

**ЗАБЕЛЕШКА:** Ако ја користите машината со приклучокот за компост, осигурете се дека вкупната должина на тревата по сечењето е 30 мм или повеќе, а исечената должина е 15 мм или помалку.

► **Сл.28:** (1) 30 мм или повеќе (2) 15 мм или помалку

## Користење на додатокот за исфрлање

За DLM530/DLM532

Додатокот за исфрлање ви овозможува да ја вратите исечената трева на земјата од десната страна на машината без да ја собирате во корпата за трева. Ако ја користите машината со додатокот за исфрлање, претходно монтирајте го приклучокот за компост и отстранете ја корпата за трева.

## Електронска функција

За полесно работење, машината е опремена со електронски функции.

- Постојана контрола на брзината на вртењето на сечилото Електронско контролирање на брзината за постигнување постојана брзина. Може да се изврши добра завршна обработка, бидејќи брзината на вртење е постојана дури и при преоптовареност.
- Благ почеток на движење Функцијата за меко стартување го сведува почетниот удар на минимум и овозможува машината да се стартува глатко.
- Електрична копирачка Оваа машина е опремена со електрична копирачка. Доколку машината постојано не успева да ги запре сечилата на косилката по ослободување на рачката на прекинувачот, однесете ја машината да се сервисира во овластен сервисен центар на Макита.

## РАБОТЕЊЕ

### Косење

**⚠ПРЕДУПРЕДУВАЊЕ:** Пред да започнете со косење, расчистете ги стапчињата и камењата од областа што се коси. Следно, однапред расчистете ја сета плевел од областа што се коси.

**⚠ПРЕДУПРЕДУВАЊЕ:** Секогаш носете заштитна маска или заштитни очила со странични штитници кога работите со косилката.

**⚠ВНИМАНИЕ:** Ако исечената трева или туѓи предмети ја блокираат внатрешноста на косилката, отстранете го клучот за блокирање и касетата за батерија и носете ракавици пред да ги отстраните.

**ЗАБЕЛЕШКА:** Оваа машина користете ја само за косење тревници. Не косете плевел со оваа машина.

► **Сл.29**

Цврсто држете ја рачката со двете раце при косењето. Упатството за брзината на косење е приближно 7 до 14 метри за 10 секунди.

► **Сл.30**

Централните рабови на предните тркала се водилки за ширината на косењето. Користејќи ги централните линии како водилки, косете во ленти. Преклопете ја за една половина до една третина претходната лента за да го икосите тревникот рамномерно.

► **Сл.31:** 1. Ширина на косење 2. Област на преклопување 3. Централна линија

Секој пат менувајте ја насоката на косење за да спречите формирање на шема на тревникот во само една насока.

► **Сл.32**

Повремено проверувајте ја корпата за трева за искосена трева. Испразнете ја тревата пред да се наполни. Пред секоја периодична проверка, исклучувајте ја косилката и потоа вадете ги клучот за блокирање и батеријата.

**ЗАБЕЛЕШКА:** Користењето на косилката со полна корпа за трева спречува мазно вртење на сечилото и додава дополнителен товар на моторот, што може да предизвика дефект.

## Косење тревник со висока трева

Не обидувајте се да косите висока трева наеднаш. Наместо тоа, косете го тревникот во неколку фази. Оставете ден-два помеѓу две косења, додека тревникот не се изедначи.

► **Сл.33**

**НАПОМЕНА:** Косењето долга трева со куса должина наеднаш може да предизвика тревата да умре. Исто така, исечената трева може да ја блокира внатрешноста на уредот на косилката.

## Празнење на корпата за трева

**▲ ПРЕДУПРЕДУВАЊЕ:** За да го намалите ризикот од незгоди, редовно проверувајте дали на корпата за трева има какви било оштетувања или слабости. Заменете ја корпата за трева ако е неопходно.

1. Ослободете ја рачката на прекинувачот и погонскиот лост (за DLM462/DLM532), или ослободете ја рачката на прекинувачот (за DLM530).

2. Извадете го клучот за блокирање.

3. Отворете го задниот капак и извадете ја корпата за трева, држејќи ја рачката.

► **Сл.34:** 1. Заден капак 2. Рачка 3. Корпа за трева

4. Испразнете ја корпата за трева.

## ОДРЖУВАЊЕ

**▲ ПРЕДУПРЕДУВАЊЕ:** Секогаш проверувајте дали се извадени клучот за блокирање и касетата за батеријата од косилката пред да ја складираате, пренесувате или пред да вршите проверка или одржување.

**▲ ПРЕДУПРЕДУВАЊЕ:** Секогаш отстранувајте го клучот за блокирање кога косилката не е во употреба. Складирајте го клучот за блокирање на сигурно место вон дофат на деца.

**▲ ПРЕДУПРЕДУВАЊЕ:** Носете ракавици кога извршувате проверка или одржување.

**▲ ПРЕДУПРЕДУВАЊЕ:** Секогаш носете заштитна маска или заштитни очила со странични штитници при проверка или одржување.

**ЗАБЕЛЕШКА:** За чистење, не користете нафта, бензин, разредувач, алкохол или слично. Тие средства ја вадат бојата и може да предизвикаат деформации или пукнатини.

За да се одржи БЕЗБЕДНОСТА и СИГУРНОСТА на производот, поправките, одржувањата или дотерувањата треба да се вршат во овластени сервисни или фабрички центри на Makita, секогаш со резервни делови од Makita.

## Одржување

1. Отстранете го клучот за блокирање и касетите за батерија, а потоа затворете го капакот на батеријата.

2. Поставете ја косилката да лежи странично така што рачката за прилагодување на височината на косење да дојде на горната страна. Исчистете ги деловите од трева насобрани на долната страна од косилката.

3. Ставајте вода кон дното на машината на коешто е закачено сечилото.

**ЗАБЕЛЕШКА:** Не мијте ја машината со вода под висок притисок.

4. Проверете дали сите навртки, завртки, шрафови и сл. се добро стегнати.

5. Проверете дали подвижните делови се оштетени, скршени или изабени. Оштетените делови или деловите кои недостасуваат треба да се поправат или заменат.

6. Складирајте ја косилката на безбедно место надвор од дофат на деца.

**За DLM462/DLM532**

**ЗАБЕЛЕШКА:** Не истурајте вода на делот прикажан на сликата. Истурањето вода на моторната единица може да предизвика дефект на машината.

► **Сл.35:** 1. Област каде не треба да се истура вода

## Носење на косилката

При носење на косилката, двајца луѓе треба да ги држат предната и задната дршка како што е прикажано на сликата.

► **Сл.36:** 1. Предна дршка 2. Задна дршка

## Складирање

Складирајте ја косилката во затворена просторија на ладно, суво и заклучено место. Не складирајте ги косилката и полначот на места каде што температурата може да достигне или надмине 40 °C.

## Вадење или монтирање на сечилото од косилката

**▲ ПРЕДУПРЕДУВАЊЕ:** Сечилото продолжува слободно да врти уште неколку секунди по отпуштањето на прекинувачот. Не стартувајте ја работата додека не запре целосно сечилото.

**▲ ПРЕДУПРЕДУВАЊЕ:** Секогаш вадете ги клучот за блокирање и батеријата кога го вадите или монтирате сечилото. Ако не ги извадите клучот за блокирање и батеријата, може да дојде до тешка повреда.

**▲ ПРЕДУПРЕДУВАЊЕ:** Носете ракавици секогаш кога ракувате со сечилото.

## Отстранување на сечилото на косилката

### За модели опремени со рамно сечило на косилка

1. Поставете ја косилката да лежи странично така што рачката за прилагодување на височината на косење да дојде на горната страна.

2. За да го блокирате сечилото, вметнете ја иглата во отворот на телото од косилката.

3. Свртете ја завртката спротивно од стрелките на часовникот со окаст клуч 17.

► **Сл.37:** 1. Сечило на косилка 2. Игла 3. Окаст клуч

4. Отстранете ја завртката, а потоа сечилото на косилката.

► **Сл.38:** 1. Поддршка за сечилото 2. Сечило на косилка 3. Завртка 4. Испакнат дел

**ЗАБЕЛЕШКА:** Кога го монтирате сечилото на косилката, осигурајте се дека испакнатите делови на поддршката за сечилото се вклопуваат во отворите на сечилото на косилката.

### За модели опремени со наизменични сечила на косилка

1. Поставете ја косилката да лежи странично така што рачката за прилагодување на височината на косење да дојде на горната страна.

2. За да ја заклучите основната плоча, вметнете ја иглата во отворот на телото на косилката низ отворот на основната плоча.

3. Свртете ја завртката спротивно од стрелките на часовникот со окаст клуч 17.

► **Сл.39:** 1. Игла 2. Основна плоча 3. Окаст клуч

4. Отстранете ја завртката, а потоа основната плоча.

► **Сл.40:** 1. Поддршка за сечилото 2. Основна плоча 3. Завртка 4. Испакнат дел

**ЗАБЕЛЕШКА:** Кога ги монтирате сечилата на косилката, осигурајте се дека испакнатите делови на поддршката за сечилото се вклопуваат во отворите на основната плоча.

5. За да отстраните поединечно сечило на косилката, свртете ја завртката налево со окастиот клуч 17 додека ја држите основната плоча.

► **Сл.41:** 1. Основна плоча 2. Сечило на косилка 3. Окаст клуч

6. Извадете ги навртката, шајбната, шајбната со пружина, сечилото на косилката и завртката по тој редослед.

► **Сл.42:** 1. Отвор за завртка 2. Завртка 3. Сечило на косилка 4. Шајбна со пружина 5. Шајбна 6. Навртка

**ЗАБЕЛЕШКА:** При зацврстување на навртките за монтирање на поединечни сечила на косилка, применете 30 N•m како затезен момент.

**ЗАБЕЛЕШКА:** Кога монтирате поединечно сечило на косилка, бидете сигурни дека шајбната со пружина ја прикачувате во насока како што е прикажано на сликата.

**ЗАБЕЛЕШКА:** Кога монтирате поединечно сечило на косилка, бидете сигурни дека завртките ги вметнувате во отворите за навртки како што е прикажано на сликата.

## Монтирање на сечилото на косилката

**▲ПРЕДУПРЕДУВАЊЕ:** Монтирајте го внимателно сечилото на косилката. Означено е кој дел е горе, а кој долу.

**▲ПРЕДУПРЕДУВАЊЕ:** Стегнете ја завртката вртејќи ја надесно за да го прицврстите сечилото.

**▲ПРЕДУПРЕДУВАЊЕ:** Проверете дали сечилото на косилката и сите делови за фиксирање се правилно монтирани и цврсто стегнати.

**▲ПРЕДУПРЕДУВАЊЕ:** Кога ќе го заменуваат сечилото, секогаш следете ги инструкциите обезбедени во овој прирачник.

**ЗАБЕЛЕШКА:** По монтирање на сечилата на косилката, отстранете ја иглата од телото на косилката.

За да ги монтирате сечилата на косилката, следете ја постапката за отстранување по обратен редослед.

# РЕШАВАЊЕ ПРОБЛЕМИ

Пред да побарате поправка, прво самите извршете проверка. Ако пронајдете проблем што не е опишан во упатството, не обидувајте се да ја расклопите машината. Наместо тоа, побарајте помош од овластените сервисни центри на Makita и секогаш користете делови за замена и поправка од Makita.

Состојба на аномалии	Можна причина (дефект)	Поправка
Косилката не стартува.	Не се монтирани две касети за батеријата.	Монтирајте две наполнети касети за батеријата.
	Проблем со батеријата (под напон)	Повторно наполнете ја касетата за батеријата. Ако полнењето нема ефект, заменете ја касетата за батеријата.
	Клучот за блокирање не е вметнат.	Вметнете го клучот за блокирање.
Моторот запира со работа по краткотрајна употреба.	Прекинувачот за избор на батеријата не е во правилната позиција.	Изберете ја портата за батерија на која се монтирани касетите за батерија со помош на прекинувачот за избор на батеријата.
	Нивото на наполнетост на батеријата е ниско.	Повторно наполнете ја касетата за батеријата. Ако полнењето нема ефект, заменете ја касетата за батеријата.
	Височината на сечењето е многу ниска.	Зголемете ја височината на сечењето.
Моторот не ги достигнува максималните вртежи во минута.	Во косилката има заглавена исечена трева.	Отстранете ја заглавената трева од косилката.
	Касетата за батеријата е неправилно монтирана.	Монтирајте ја касетата за батеријата како што е опишано во прирачникот.
	Моќта на батеријата опаѓа.	Повторно наполнете ја касетата за батеријата. Ако полнењето нема ефект, заменете ја касетата за батеријата.
Сечилото на косилката не ротира: ⇒ веднаш запрете ја косилката!	Погонскиот систем не работи правилно.	Побарајте помош од локален, овластен, сервисен центар за поправка.
	Во близина на сечилото има заглавено туѓ предмет, како гранка.	Отстранете го туѓиот предмет.
Абнормални вибрации: ⇒ веднаш запрете ја косилката!	Погонскиот систем не работи правилно.	Побарајте помош од локален, овластен, сервисен центар за поправка.
	Сечилото не е избалансирано или е прекумерно, или нерамномерно изабено.	Заменете го сечилото.

## ОПЦИОНАЛЕН ПРИБОР

**⚠ ВНИМАНИЕ:** Овој прибор или додатоци се препорачуваат за користење со машината од Makita наведена во упатството. Со користење друг прибор или додатоци може да се изложите на ризик од телесни повреди. Користете ги приборот и додатоците само за нивната назначена намена.

Ако ви треба помош за повеќе детали за приборот, прашајте во локалниот сервисен центар на Makita.

- Сечило на косилка
- Оригинална батерија и полнач на Makita

**НАПОМЕНА:** Некои ставки на листата може да се вклучени со пакетот производи како стандарден прибор. Тие може да се разликуваат од држава до држава.

## ТЕХНИЧКИ ПОДАЦИ

Модел:		DLM462	DLM530	DLM532
Ширина кошења (пречник сечива)		460 мм	534 мм	
Брзина без оптерећења		2.500 мин <sup>-1</sup>	2.300 мин <sup>-1</sup>	
Максимална брзина		3.300 мин <sup>-1</sup>	2.800 мин <sup>-1</sup>	
Број дела резервног сечива косилице	Равно сечиво косилице	191D51-9	191D52-7	
	Повратна сечива косилице *1	191D49-6	191D50-1	
	Повратна сечива косилице *2	191D47-0	191D48-8	
Димензије (Д x Ш x В)		Д: 1.610 мм до 1.690 мм Ш: 535 мм В: од 980 мм до 1.095 мм	Д: 1.630 мм до 1.715 мм Ш: 590 мм В: 990 мм до 1.095 мм	
Брзина кретања		2,5 – 5,0 км/ч	–	2,5 – 5,0 км/ч
Номинални напон		DC 36 V		
Нето тежина	Када је постављено равно сечиво косилице	35,3 – 39,0 кг	35,5 – 39,3 кг	39,0 – 42,8 кг
	Када су постављена повратна сечива косилице	36,0 – 39,7 кг	36,2 – 40,0 кг	39,7 – 43,5 кг
Степен заштите		IPX4		

\*1. Основна плоча и појединачна сечива косилице.

\*2. Само појединачна сечива косилице.

- На основу нашег непрестаног истраживања и развоја задржавамо право измена наведених техничких података без претходне најаве.
- Спецификације могу да се разликују у различитим земљама.
- Тежина може да се разликује у зависности од наставака, укључујући и уложак батерије. Најлакша и најтежа комбинација, према процедури ЕПТА 01/2014, приказане су у табели.

### Применљив уложак батерије

BL1815N / BL1820 / BL1820B / BL1830 / BL1830B / BL1840 / BL1840B / BL1850 / BL1850B / BL1860B


- Неки горенаведени улошци батерија можда неће бити доступни у зависности од места становања.


**▲УПОЗОРЕЊЕ:** Користите само горенаведене улошке батерије. Коришћење других уложака батерије може довести до повреде и/или пожара.


**▲УПОЗОРЕЊЕ:** Немојте да користите извор напајања са каблом, као што су адаптер батерије или преносиво напајање, са овом машином. Кабл таквог извора напајања може да омета рад и може да доведе до телесних повреда.


### Симболи


У наставку су приказани симболи који се односе на опрему. Пре употребе се обавезно упознајте са њиховим значењем.

 Будите нарочито пажљиви и опрезни.

 Прочитајте упутство за употребу.

 Опасност, пазите на бачене предмете.

 Растојање између алата и посматрача мора да буде најмање 15 м.

 Никада немојте стављати руке нити стопала близу сечива испод косилице. Сечива настављају да ротирају након што се мотор искључи.



Извадите кључ за закључавање пре провере, подешавања, чишћења, сервисирања, остављања и одлагања косилице.



Опасност од електричног удара. Контакт са водом може да доведе до електричног удара.



Не сипати воду.



Ni-MH  
Li-ion

Само за земље ЕУ  
Немојте да одлагате електричну опрему или батерију заједно са отпадом из домаћинства! У складу са европским директивама о електричном и електронском отпаду, батеријама и акумулаторима и истрошеним батеријама и акумулаторима и применом ових директива у складу са државним законима, електричну опрему, батерије и њихова паковања на крају радног века неопходно је одвојено прикупити и вратити у еколошки прихватљиво постројење за рециклажу.

## Намена

Машина је намењена за кошење травњака.

## Бука

Типичан А-пондерисани ниво буке одређен је према стандарду EN60335-2-77:

**НАПОМЕНА:** Вредности су измерене када је на косилици било монтирано равно сечиво косилице.

### Модел DLM462

Ниво звучног притиска ( $L_{pA}$ ): 82,7 dB (A)

Ниво звучне снаге ( $L_{WA}$ ): 90,4 dB (A)

Несигурност (K): 3 dB (A)

### Модел DLM530

Ниво звучног притиска ( $L_{pA}$ ): 78,1 dB (A)

Ниво звучне снаге ( $L_{WA}$ ): 90,4 dB (A)

Несигурност (K): 3 dB (A)

### Модел DLM532

Ниво звучног притиска ( $L_{pA}$ ): 78,1 dB (A)

Ниво звучне снаге ( $L_{WA}$ ): 90,4 dB (A)

Несигурност (K): 3 dB (A)

Ниво буке током рада може да премаше 80 dB (A).

**НАПОМЕНА:** Декларисане вредности емисије буке су измерене према стандардизованом мерном поступку и могу се користити за упоређивање алата.

**НАПОМЕНА:** Декларисана вредност емисије буке се такође може користити за прелиминарну процену изложености.

**▲УПОЗОРЕЊЕ:** Носите заштитне слушалице.

**▲УПОЗОРЕЊЕ:** Емисије буке током стварне примене електричног алата могу се разликовати од декларисане вредности у зависности од начина на који се користи алат, а посебно која врста предмета се обрађује.

**▲УПОЗОРЕЊЕ:** Уверите се да сте идентификовали безбедносне мере за заштиту руковаоца које су засноване на процени изложености у стварним условима употребе (узимајући у обзир све делове радног циклуса, као што је време рада уређаја, али и време када је алат искључен и када ради у празном ходу).

## Вибрације

Укупна вредност вибрација (векторски збир по три осе) одређена је према стандарду EN60335-2-77:

**НАПОМЕНА:** Вредности су измерене када је на косилици било монтирано равно сечиво косилице.

### Модел DLM462

Вредност емисије вибрација ( $a_h$ ): 2,5  $m/s^2$  или мања

Несигурност (K): 1,5  $m/s^2$

### Модел DLM530

Вредност емисије вибрација ( $a_h$ ): 2,5  $m/s^2$  или мања

Несигурност (K): 1,5  $m/s^2$

### Модел DLM532

Вредност емисије вибрација ( $a_h$ ): 2,5  $m/s^2$  или мања

Несигурност (K): 1,5  $m/s^2$

**НАПОМЕНА:** Декларисане укупне вредности вибрација су измерене према стандардизованом мерном поступку и могу се користити за упоређивање алата.

**НАПОМЕНА:** Декларисане укупне вредности вибрација се такође могу користити за прелиминарну процену изложености.

**▲УПОЗОРЕЊЕ:** Вредност емисије вибрација током стварне примене електричног алата може се разликовати од декларисане вредности у зависности од начина на који се користи алат, а посебно која врста предмета се обрађује.

**▲УПОЗОРЕЊЕ:** Уверите се да сте идентификовали безбедносне мере за заштиту руковаоца које су засноване на процени изложености у стварним условима употребе (узимајући у обзир све делове радног циклуса, као што је време рада уређаја, али и време када је алат искључен и када ради у празном ходу).

## ЕЗ декларација о усаглашености

*Само за европске земље*

ЕЗ декларација о усаглашености део је Додатка А у овом приручнику са упутствима.

## БЕЗБЕДНОСНА УПОЗОРЕЊА

### ВАЖНА БЕЗБЕДНОСНА УПУТСТВА

**▲УПОЗОРЕЊЕ:** Прочитајте сва безбедносна упозорења и сва упутства. Непоштовање упозорења и упутстава може изазвати струјни удар, пожар и/или тешке телесне повреде.

## Сачувајте сва упозорења и упутства за будуће потребе.

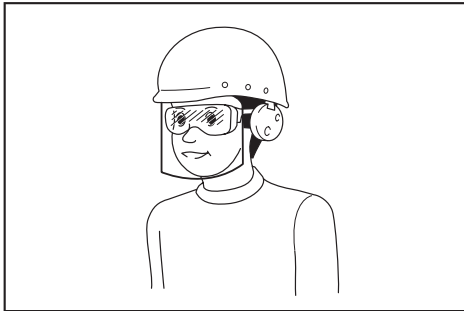
Обука

1. Пажљиво прочитајте упутства. Упознајте се са управљачким елементима и одговарајућом употребом косилице.
2. Никада немојте дозволити да косилицу користе деца и особе које нису упознате са овим упутствима. Локални прописи можда ограничавају старост особе која сме користити овај уређај.
3. Никада не укључујте косилицу док су у близини људи, посебно деца, или кућни љубимци.
4. Имајте на уму да је корисник или руковалац одговоран за несрећне случајеве или опасност која је изазвана другим људима или њиховој имовини.

5. Надгледајте децу како бисте били сигурни да се неће играти косилицом.
6. Физичко стање – Немојте да користите косилицу ако сте под утицајем наркотика, алкохола или било ког лека.

#### Припрема

1. Док радите с косилицом, увек носите чврсту обућу и дуге панталоне. Немојте користити косилицу боси или са отвореним сандалама. Избегавајте да носите одећу или накит који прате линију тела или из којих висе врпце или нити. Може се догодити да буду захваћени покретним деловима.
2. Пре употребе, увек визуелно прегледајте да ли косилица има штитнике или штитове који су оштећени, недостају или су погрешно постављени.
3. Пре кошења проверите да у близини нема других људи. Зауставите косилицу ако се неко појави у близини.
4. Немојте да убацујете кључ за закључавање у косилицу пре него што буде спремна за употребу.
5. Увек носите безбедносне наочаре како бисте заштитили очи од повреда приликом коришћења електричног алата. Наочаре морају да буду у складу са стандардом ANSI Z87.1 у САД, са стандардом EN 166 у Европи или AS/NZS 1336 у Аустралији / на Новом Зеланду. У Аустралији / на Новом Зеланду је законски обавезно носити и штитник за лице, како бисте заштитили лице.



Послодавац је одговоран да руковаоце алатом и друге особе у радном окружењу обавезе на употребу одговарајуће опреме за заштиту.

6. Пре рада прегледајте пажљиво да ли на сечивима или завртњима сечива постоје пукотине или оштећења. Одмах замените сечива или завртње сечива који су напукли или оштећени.
7. Из радног подручја пре кошења уклоните камење, жице, боце, кости и дугачко пруже како бисте спречили телесне повреде или оштећења на косици.
8. Предмети које сечиво косилице одбацају могу особама да нанесу озбиљне повреде. Травњак пре кошења увек мора да буде пажљиво проверен и очишћен од свих предмета.

9. Пазите на рупе, бразде, неравнине, камење или друге скривене предмете. Неуједначен терен може да проузрокује незгоду због клизања или пада. Висока трава може да крије препреке.
10. Немојте убацити или вадити кључ за закључавање по киши.
11. Користите личну заштитну опрему. Увек носите заштиту за очи. Коришћењем заштитне опреме, попут маске против прашине, неклизајуће безбедносне обуће, шлема или заштите за слух у одговарајућим околностима, смањите ризик од телесних повреда.

#### Рад

1. Немојте се нагињати. Увек одржавајте равнотежу. Увек пазите где газите на нагнутом терену. Хођајте и немојте да трчите.
2. Зауставите косилицу и извадите кључ за закључавање, па се уверите да су се сви покретни делови потпуно зауставили:
  - кад год остављате косилицу,
  - пре уклањања страног тела или отпушавања цеви,
  - пре провере, чишћења или радова на косици,
  - након ударца у неки предмет. Прегледајте да ли на косици има оштећења и извршите поправке пре поновног покретања и коришћења косилице,
  - кад год косилица почне абнормално да вибрира.
3. Никада немојте користити косилицу са неисправним штитницима или штитовима, без постављених заштитних делова, на пример штитника и/или корпе за траву.
4. Избегавајте да користите косилицу у лошим временским условима, нарочито када постоји ризик од удара грома.
5. Док рукујете косилицом носите штитник за очи и заштитну обућу.
6. Косилицу користите само под дневним светлом или под добрим вештачким осветљењем.
7. Пажљиво укључите косилицу у складу са упутствима и са стопалима удаљеним од сечива.
8. Пазите да вам сечиво косилице не повреди стопала или шаке.
9. Постарајте се да у вентилационим отворима не буде отпадака.
10. Косите попреко у односу на површину нагиба, никако уздуж. Будите веома опрезни када мењате правац на терену са нагибом. Немојте косити на терену са превише стрмим нагибом.
11. Будите изузетно пажљиви када мењате смер или вучете косилицу према себи.
12. Зауставите сечиво (сечива) ако косилица треба да се нагне ради преношења преко површина које нису травнате, и када се косилица преноси на или са површине на којој треба да се користи.



13. Немојте да нагињете косилицу када укључујете мотор, осим ако косилица мора да буде нагнута приликом покретања. У овом случају, не сме се нагињати више него што је заиста неопходно, при чему треба да буде подигнут само део који је даљи у односу на руковаоца. Увек се побрините за то да су обе руке у радном положају пре него што вратите косилицу на земљу.
  14. Не стављајте руке или стопала близу ротирајућих делова или испод њих. Увек се држите даље од отвора цеви за избацивање.
  15. Не транспортујте косилицу док је косилица укључена.
  16. Избегавајте да користите косилицу по мокрој трави.
  17. Ручку увек држите чврсто.
  18. Немојте да хватате истурена сечива или резне ивице када подижете или придржавате косилицу.
  19. Држите руке и стопала што даље од ротирајућих сечива. Опрез – Сечива успоравају након што се косилица искључи.
  20. Одмах зауставите рад ако приметите било шта необично. Искључите косилицу и извадите кључ за закључавање. Затим проверите косилицу.
  21. Никада немојте покушавати да подесите висину кошења док је косилица у покрету ако косилица има функцију подешавања висине кошења.
  22. Отпустите полуку прекидача и сачекајте да се ротирање сечива заустави пре преласка преко прилазних путева, пешачких стаза, друма и било којих површина прекривених шљунком. Такође, извадите кључ за закључавање ако остављате косилицу, сагињете се да покупите или склоните нешто са пута, или из било ког разлога који вам скреће пажњу са рада.
  23. Ако косилица избаци неки предмет, пратите ове кораке:
    - Зауоставите косилицу, отпустите полуку прекидача и сачекајте да се сечиво потпуно заустави.
    - Извадите кључ за закључавање и уложак батерије.
    - Темељно прегледајте да на косици нема неких оштећења.
    - Замените сечиво ако је на било који начин оштећено. Отклоните било каква оштећења пре поновног покретања и наставка рада са косилицом.
  24. Не покрећите косилицу стојећи испред отвора за избацивање.
  25. Ако косилица почне абнормално да вибрира (одмах проверите)
    - прегледајте да ли има оштећења,
    - замените или поправите било какве оштећене делове,
    - проверите и затегните било какве делове.
  26. Никада немојте да усмеравае испражњени материјал према некоме. Избегавајте пражење материјала према зиду или препреци. Материјал може да одскочи према руковаоцу. Зауоставите сечиво када прелазите шљунчане површине.
  27. Не вуците косилицу уназад ако то није неопходно. Уколико сте принуђени да вратите косилицу уназад од оградe или друге сличне препреке, гледајте надале и иза себе пре и за време кретања уназад.
  28. Пре уклањања хватача за траву, искључите мотор и сачекајте да се сечиво у потпуности заустави. Водите рачуна о томе да се сечива успорено заустављају након искључивања.
  29. Када користите машину на блатњавом тлу, влажној површини под нагибом или клизавој површини, обратите пажњу на ослонац.
  30. Избегавајте рад у лошим условима, када можете да очекујете већи замор корисника.
  31. Немојте да користите машину у лошим временским условима, када је видљивост ограничена. Ако то не урадите, може доћи до пада или неправилног рада због лоше видљивости.
  32. Немојте потапати машину у локве воде.
  33. Уклоните влажно лишће или прљавштину када се због кише залепе за усисни отвор (окно за вентилацију).
  34. Немојте користити машину по снегу.
  35. Ако је покошена трава влажна, машина може да се запуши. Редовно проверавајте стање машине и уклоните залепљену траву по потреби.
  36. Када користите машину, обратите пажњу на цеви и жице.
  37. Немојте да користите извор напајања са каблом, као што су адаптер батерије или преносиво напајање, са овом машином. Кабл таквог извора напајања може да омета рад и може да доведе до телесних повреда.
- Одржавање и складиштење**
1. Замените похабане или оштећене делове ради безбедности. Користите оригиналне резервне делове и додатни прибор.
  2. Редовно проверавајте и одржавајте косилицу.
  3. Чувајте косилицу изван домаћаја деце када је не користите.
  4. Одржавајте све матице, завртње и вијке притегнути да би опрема била безбедна у радним условима.
  5. Често проверавајте да ли је корпа за траву похабана или оштећена. Приликом складиштења алата увек водите рачуна да корпа за траву буде празна. Замените похабану корпу за траву новом фабричком резервном корпом ради безбедности.
  6. Користите само оригинална сечива произвођача наведена у овом приручнику.
  7. Будите пажљиви током подешавања косилице да бисте спречили да вам покретна сечива и причвршћени делови косилице захвате прсте.
  8. Учестало проверавајте да ли је вијак за монтирање сечива правилно причвршћен.
  9. Увек оставите косилицу да се охлади пре него што је одложите.

10. Када сервисирате сечива, обратите пажњу да се сечива још увек могу покретати, чак и када је извор напајања искључен.
11. Никада немојте да уклањате или ометате сигурносне уређаје. Редовно проверавајте њихов правилан рад. Никада немојте да радите било шта што омета предвиђену функцију сигурносног уређаја или смањује заштиту коју пружа сигурносни уређај.
12. Немојте остављати машину без надзора напољу по киши.
13. Немојте прати машину водом под високим притиском.
14. Када перете машину, обавезно извадите батерију и кључ за закључавање, па затворите поклопац батерије и сипајте воду ка дну машине на коме је постављено сечиво.
15. Када одлажете машину, избегавајте директну сунчеву светлост и кишу, и немојте је одлагати на месту где је вруће или има влаге.
16. Обавите преглед или одржавање на месту на коме се може избећи киша.
17. Након коришћења машине уклоните накупљену прљавштину и потпуно осушите машину пре одлагања. У зависности од годишњег доба или области, постоји ризик од квара због замрзавања.

#### Коришћење и одржавање алата са батеријом

1. Пуните батерију искључиво помоћу пуњача који је навео произвођач. Ако се пуњач који је намењен за одређену врсту батерије користи са другом батеријом, може да дође до опасности од пожара.
2. Електричне алате користите само са батеријама које су предвиђене за њих. Коришћење других врста батерија може да изазове ризик од повреде и пожара.
3. Када се батерија не користи, држите је даље од других металних предмета, попут спајалица, новчића, кључева, ексера, завртања и других малих металних предмета који могу да пресоје два прикључка. Кратак спој између прикључака батерије може да доведе до опекотина или пожара.
4. У случају злоупотребе батерије из ње може исцурити течност. У том случају, пазите да не дођете у додир с њом. Ако случајно дођете у додир с батеријом, исперите место додира водом. Ако течност доспе у очи, потражите и помоћ лекара. Течност која исцури из батерије може да изазове иритацију или опекотине.
5. Немојте да користите батерију или алат који су оштећени или модификовани. Оштећене или модификоване батерије могу испољити непредвидиво понашање које може довести до пожара, експлозије или ризика од задобијања повреда.
6. Немојте да излажете батерију или алат ватри или високој температури. Излагање ватри или температури изнад 130 °C може довести до експлозије.

7. Придржавајте се свих упутстава за пуњење и немојте да пуните батерију или алат изнад опсега температуре који је наведен у упутствима. Неисправно пуњење или пуњење на температурама изнад наведеног опсега може оштетити батерију и повећати ризик од пожара.

#### Заштита електричних инсталација и акумулатора

1. Батерије немојте бацати у ватру. Могле би да експлодирају. Проверите да ли локални закони предвиђају посебна упутства за одлагање.
2. Немојте да отварате или разбијате батерије. Ослобођени електролит је корозиван и може да повреди очи или кожу. Може да буде токсичан уколико се прогута.
3. Немојте да пуните батерију на киши или на влажним местима.
4. Немојте да пуните батерију на отвореном.
5. Не дирајте пуњач, укључујући утикач пуњача и прикључке пуњача мокрим рукама.
6. Немојте мењати батерије по киши.
7. Немојте квасити контакте батерије течностима као што је вода, нити потапати батерију. Немојте остављати батерију на киши, немојте да је пуните, користите нити одлажете на влажном или мокром месту. Ако се контакт покваси или течност уђе у унутрашњост батерије, у батерији може доћи до кратког споја и постоји ризик од прегревања, пожара или експлозије.
8. Када извадите батерију из машине или пуњача, обавезно поставите поклопац батерије на батерију и ускладиштите је на сувом месту.
9. Немојте мењати батерију мокрим рукама.

#### Сервисирање

1. Електрични алат треба да сервисира квалификована особа која ће користити само идентичне резервне делове. То ће омогућити безбедно коришћење електричног алата.
2. Никада немојте сервисирати оштећене батерије. Сервисирање батерија треба обављати само произвођач или овлашћени добављач услуга.

## САЧУВАЈТЕ ОВО УПУТСТВО.

**▲УПОЗОРЕЊЕ: НЕМОЈТЕ** себи да дозволите да занемарите строга безбедносна правила која се односе на овај производ услед чињенице да сте производ добро упознали и стекли рутину у руковању њиме (услед честог коришћења).

**НЕНАМЕНСКА УПОТРЕБА** или непоштовање безбедносних правила наведених у овом упутству могу довести до тешких телесних повреда.

## Важна безбедносна упутства која се односе на уложак батерије

1. Пре употребе уложка батерије, прочитајте сва упутства и безбедносне ознаке на (1) пуњачу батерије, (2) батерији и (3) производу који користи батерију.
2. Не растављајте и не модификујте уложак батерије. Тиме можете да изазовете пожар, прекомерно загревање или експлозију.
3. Ако се време рада знатно скратило, одмах престаните са коришћењем. То може да доведе до ризика од прегревања, могућих опекотина, па чак и експлозије.
4. Ако електролит доспе у очи, исперите их чистом водом и одмах затражите помоћ лекара. То може да доведе до губитка вида.
5. Немојте да изазивате кратак спој уложка батерије:

- (1) Немојте додиривати прикључке било којим проводним материјалом.
- (2) Избегавајте складиштење уложка батерије у кутији са другим металним предметима као што ексери, новчићи итд.
- (3) Немојте да излажете уложак батерије води или киши.

Кратак спој батерије може да доведе до великог протока струје, прегревања, могућих опекотина, па чак и прегоривања.

6. Немојте да складиштите и користите алат и уложак батерије на местима где температура може да достигне или премаши 50 °C (122 °F).
7. Немојте да палите уложак батерије чак ни када је озбиљно оштећен или потпуно похабан. Уложак батерије може да експлодира у ватри.
8. Немојте да закивате, сечете, ломите, бацате или испуштате уложак батерије, или да њиме ударате по чврстој површини. На тај начин можете да изазовете пожар, прекомерно загревање или експлозију.
9. Немојте да користите оштећену батерију.
10. Садржане литијум-јонске батерије подлежу Закону о превозу опасних материја. Приликом комерцијалног превоза, нпр. од стране трећих лица и превозника, мора се обратити посебна пажња на специјалне захтеве паковања и обележавања. Приликом припреме материјала за превоз, потребно је саветовати се са стручњаком за опасне материје. Такође обратите пажњу на евентуалне даље националне прописе. Омотајте траком или прекријте отворене контакте и запакујте батерију тако да се не може померати унутар паковања.
11. Када одлажете уложак батерије на отпад, извадите га из алата и одложите на безбедно место. Придржавајте се локалних прописа у вези са одлагањем батерије.
12. Батерије користите само са производима које је навела компанија Makita. Постављање батерије на производе који нису услагашени може да доведе до пожара, прекомерне топлоте, експлозије или цурења електролита.
13. Ако се алат не користи током дужег периода, батерија мора да се извади из алата.

14. Током и након коришћења, уложак батерије може да акумулира толико топлоте да то може довести до опекотина, уобичајених и нискотемпературних. Пажљиво рукујте врућим улошцима батерије.
15. Не додирујте контакте алата одмах након коришћења јер су можда толико врући да могу да изазову опекотине.
16. Водите рачуна да се струготина, прашина или земља не заглаве у контактима, рупицама и жлебовима уложка батерије. У супротном може доћи до лошег учинка или прегоривања алата или уложка батерије.
17. Осим ако алат то не подржава, немојте да користите уложак батерије близу високонапонских разводних линија електричне струје. У супротном може доћи до квара или прегоривања алата или уложка батерије.
18. Држите батерију ван домања деце.

## САЧУВАЈТЕ ОВО УПУТСТВО.

**▲ПАЖЊА:** Користите само оригиналне Makita батерије. Коришћење Makita батерија које нису оригиналне или батерија које су измењене може да доведе до пуцања батерије, које може да изазове пожар, телесне повреде или штету. То ће такође поништити гаранцију компаније Makita за Makita алат и пуњач.

## Савети за максимално трајање батерије

1. Напуните уложак батерије пре него што се потпуно испразни. Сваки пут прекините рад са алатом и напуните уложак батерије када приметите да је снага алата слабија.
2. Никада немојте да поново пуните потпуно напуњени уложак батерије. Препуњавање краћује радни век батерије.
3. Пуните уложак батерије на собној температури између 10°C и 40°C (између 50°F и 104°F). Сачекајте да се врући уложак батерије охлади пре пуњења.
4. Када не користите уложак батерије, извадите га из алата или пуњача.
5. Напуните уложак батерије ако га нећете користити дуже време (више од шест месеци).

## СКЛАПАЊЕ

**▲УПОЗОРЕЊЕ:** Увек проверите да ли су кључ за закључавање и уложак батерије извађени пре него што приступите било каквим радовима на косилицу. Ако се кључ за закључавање и уложак батерије не изваде може доћи до нашоња озбиљних телесних повреда услед случајног покретања.

**▲УПОЗОРЕЊЕ:** Никада немојте да покрећете косилицу ако није у потпуности склопљена. Рад са делимично склопљеном машином може да доведе до озбиљних телесних повреда услед случајног покретања.

## Постављање ручке

**ОБАВЕШТЕЊЕ:** Када постављате ручке, каблови морају да буду позиционирани тако да између ручки ничим не буду захваћени. Ако је кабл оштећен, прекидач косилице можда неће радити.

1. Поравнајте отворе на доњој ручки са отворима на кућишту косилице, а затим благо затегните 4 завртња.  
► **Слика1:** 1. Доња ручка 2. Завртња
2. Користећи окасти кључ 13, чврсто затегните 4 завртња која сте благо затегли у 1. кораку.
3. Поравнајте отвор на доњој ручки са отвором на горњој ручки, затим уметните завртња са унутрашње стране и притегните навртку са спољне стране користећи окасти кључ 13. Обавите исти поступак на другој страни.  
► **Слика2:** 1. Завртња 2. Доња ручка 3. Навртка 4. Отвор 5. Горња ручка

**ПАЖЊА:** Чврсто држите горњу ручку да вам не би исклизнула из руку. У супротном, ручка може да падне и изазове повреду.

4. Поставите држаче на ручку.

Поравнајте испупчења на држачу са отворима на ручки тако да испупчења налегну у отворе. Поставите каблове у положај приказан на слици.

- **Слика3:** 1. Кабл 2. Држач

## Уклањање додатка за малчовање

1. Отворите задњи поклопац.  
► **Слика4:** 1. Задњи поклопац
2. Уклоните додаток за малчовање док држите притиснуту полуку.  
► **Слика5:** 1. Полука 2. Додатак за малчовање

## Постављање или уклањање корпе за траву

Да бисте поставили корпу за траву, пратите кораке у наставку.

1. Отворите задњи поклопац.  
► **Слика6:** 1. Задњи поклопац

2. Држите ручку корпе за траву, а затим закачите корпу за траву на шипку кућишта косилице као што је приказано на слици.  
► **Слика7:** 1. Шипка 2. Ручка 3. Корпа за траву

Да бисте уклонили корпу за траву, отворите задњи поклопац и уклоните корпу за траву држећи је за ручку.

## Прикључивање додатка за малчовање

1. Отворите задњи поклопац и уклоните корпу са травом.  
► **Слика8:** 1. Задњи поклопац 2. Корпа за траву
2. Прикључите додаток за малчовање док држите полуку притиснутом, па отпустите полуку да бисте фиксирани додаток за малчовање.  
► **Слика9:** 1. Полука 2. Додатак за малчовање

## Прикључивање додатка за пражњење

### За моделе DLM530/DLM532

1. Отворите задњи поклопац и уклоните корпу са травом.

- **Слика10:** 1. Задњи поклопац 2. Корпа за траву

2. Прикључите додаток за малчовање док држите полуку притиснутом, па отпустите полуку да бисте фиксирани додаток за малчовање.

- **Слика11:** 1. Полука 2. Додатак за малчовање

3. Отворите поклопац са десне стране и прикључите додаток за пражњење.

Убаците куке додатка за пражњење испод шипке поклопца са десне стране.

- **Слика12:** 1. Поклопац са десне стране  
2. Додатак за пражњење

## ОПИС НАЧИНА ФУНКЦИОНИСАЊА

### Постављање и уклањање улошка батерије

**ПАЖЊА:** Увек искључите машину пре постављања или уклањања улошка батерије.

**ПАЖЊА:** Држите чврсто машину и уложак батерије када постављате или уклањате уложак батерије. Ако машину и уложак батерије не држите чврсто, могу вам исклизнути из руку, оштетити се при паду и повредити вас.

**ПАЖЊА:** Уверите се да сте закључали поклопац батерије пре употребе. У супротном блато, прљавштина или вода могу да узрокују штету на производу или улошку батерије.

**ПАЖЊА:** Увек до краја гурните уложак батерије тако да се црвени индикатор не види. У супротном, он случајно може испати из машине и повредити вас или неку особу у вашој близини.

**ПАЖЊА:** Немојте на силу да постављате уложак батерије. Ако уложак не можете лако да гурнете, то значи да га не постављате исправно.

**НАПОМЕНА:** Машина не ради са само једним улошком батерије.

### Да поставите уложак батерије;

1. Повуците полуку за закључавање нагоре, а затим отворите поклопац батерије.

- **Слика13:** 1. Поклопац батерије 2. Полука за закључавање

2. Поравнајте језичак на улошку батерије са отвором на машини, затим померите уложак тако да улегне на своје место и зачује се клик.

- **Слика14:** (1) Прикључак батерије 1 (2) Прикључак батерије 2 (3) Уложак батерије

**НАПОМЕНА:** Поставите барем 2 уложка батерије у прикључак батерије 1 или прикључак батерије 2.

3. Убаците кључ за закључавање на место које је назначено на приказу колико год може да допре.

► **Слика15:** 1. Кључ за закључавање

4. Затворите поклопац батерије и гурните га док се не закочи полугом за закључавање.

**Да бисте уклонили уложак батерије;**

1. Повуците полугу за закључавање нагоре и отворите поклопац батерије.

2. Извучите уложак батерије из машине док клизањем померате дугме на предњој страни уложка.

3. Извучите кључ за закључавање.

4. Затворите поклопац батерије.

## Промена уложака батерије

► **Слика16:** 1. Прекидач за избор батерије

Машина користи 2 уложка батерије истовремено. До 4 уложка батерије може да се постави у машину. Пре коришћења машине, изаберите прикључак батерије 1 или прикључак батерије 2 тако што ћете окренути прекидач за избор батерије.

**НАПОМЕНА:** Ако су у машину постављена само 2 уложка батерије, користећи прекидач за избор батерије обавезно изаберите прикључак батерије у који су они постављени.

## Систем за заштиту машине/батерије

Машина је опремљена системом за заштиту машине/батерије. Овај систем аутоматски прекида напајање мотора како би продужио век трајања машине и батерије. Машина ће се аутоматски зауставити током рада ако машина или батерија уђу у једно од следећих стања:

### Заштита од преоптерећења

Када се батеријом ради на начин који захтева изузетно велику потрошњу струје, машина аутоматски престаје да ради и главна лампица почиње да трепери зеленом бојом. У овој ситуацији, искључите машину и престаните са употребом која је довела до њеног преоптерећења. Затим укључите машину да бисте је поново покренули.

### Заштита од прегревања

Када су машина или батерија прегрејани, машина аутоматски престаје да ради и главна лампица почиње да трепери црвеном бојом. У овом случају, пустите да се машина и батерија охладе пре поновног укључивања машине.

### Заштита од превеликог пражњења





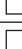

Када капацитет батерије није довољан, машина аутоматски престаје да ради и главна лампица почиње да трепери црвеном бојом. У овом случају, извадите батерију из машине и напуните или замените уложке батерије оним који су потпуно напуњени.

## Приказ преосталог капацитета батерије

**Само за уложке батерије са индикатором**

► **Слика17:** 1. Индикаторске лампице 2. Дугме за проверу

Притисните дугме за проверу на уложку батерије да бисте приказали преостали капацитет батерије. Индикаторске лампице ће се укључити на неколико секунди.

Индикаторске лампице			Преостали капацитет
Светли	Искључено	Трепће	
			Од 75% до 100%
			Од 50% до 75%
			Од 25% до 50%
			Од 0% до 25%
			Напуните батерију.
			Могуће је да је батерија постала неисправна.

**НАПОМЕНА:** У зависности од услова коришћења и температуре околине, приказани капацитет може донекле да се разликује од стварног.

## Контролна табла

Контролна табла има главни прекидач за напајање, дугме за промену режима и индикатор преосталог капацитета батерије.

► **Слика18:** 1. Индикатор батерије 2. Лампица промене режима 3. Главна лампица 4. Дугме за проверу 5. Дугме за промену режима 6. Главни прекидач

## Главни прекидач

**▲ УПОЗОРЕЊЕ:** Увек искључите главни прекидач кад алат није у употреби.

Да бисте укључили машину, притисните главни прекидач за напајање. Главна лампица светли зеленом бојом. Да бисте искључили машину, притисните поново главни прекидач за напајање.

**НАПОМЕНА:** Ако главна лампица светли црвеном бојом или трепери црвеном или зеленом бојом, погледајте упутства за систем заштите машине/ батерије.

**НАПОМЕНА:** Ова машина користи функцију аутоматског искључивања. Ако полуга прекидача и полуга за покретање (ако постоје) нису притиснуте одређени временски период након укључивања главног прекидача, главни прекидач ће се аутоматски искључити како би се избегло ненамерно покретање.

## Дугме за промену режима

Можете да промените режим рада притиском на дугме за промену режима. Када је укључена, машина се покреће у нормалном режиму. Када притиснете дугме за промену режима, машина прелази у режим смањења буке и лампица промене режима светли зеленом бојом. У режиму смањења буке можете да смањите буку приликом кошења. Када поново притиснете дугме за промену режима, машина се враћа у нормални режим.

## Приказ преосталог капацитета батерије

Притисните дугме за проверу да бисте приказали преостали капацитет батерије. Индикатори батерије одговарају свакој батерији.

Статус индикатора батерије		Преостали капацитет батерије
Укључено	Искључено	
		50% – 100%
		20% – 50%
		0% – 20%

**НАПОМЕНА:** Лампица индикатора за преостали капацитет батерије служи само као референца. Стварни капацитет батерије може да се разликује у зависности од услова коришћења.

**НАПОМЕНА:** Зауоставите машину пре него што притиснете дугме за проверу да бисте приказали преостали капацитет батерије.

## Функционисање прекидача

**▲УПОЗОРЕЊЕ:** Пре постављања улошка батерије, увек проверите да ли полуга прекидача правилно функционише и враћа се у првобитни положај када се отпусти. Рад са машином чији прекидач не функционише правилно може да доведе до губитка контроле и тешких телесних повреда.

**НАПОМЕНА:** Косилица не може да се покрене без притиска на дугме прекидача чак и ако је полуга прекидача повучена.

**НАПОМЕНА:** Косилица се можда неће покренути због преоптерећења ако покушате да косите дугачку или густу траву. У овом случају повећајте висину кошења.

Ова косилица је опремљена кључем за закључавање и ручком са прекидачем. Ако приметите било шта необично у вези са кључем за закључавање или прекидачем, одмах престаните са радом и проверите их код најближег овлашћеног сервисног центра Makita.

### За моделе DLM462/DLM532

1. Поставите улошке батерије. Убаците кључ за закључавање и затим затворите поклопац батерије.
2. Изаберите улошке батерије који се користе за рад тако што ћете окренути прекидач за избор батерије.
3. Притисните главни прекидач.
4. Повуците полуку прекидача према себи док држите притиснуто дугме прекидача. Отпустите дугме прекидача чим се мотор покрене.  
► **Слика19:** 1. Дугме прекидача 2. Полуга прекидача

**НАПОМЕНА:** Ако се кључ за закључавање не уметне, лампица напајања трепери зеленом бојом када се повуче полуга прекидача.

5. Док држите полуку прекидача, гурните полуку за покретање ка напред и задржите је да бисте покренули задње точкове.

► **Слика20:** 1. Полуга за покретање

**НАПОМЕНА:** Задње точкове можете да покренете тако што ћете гурнути полуку за покретање ка напред и задржати је, без повлачења полуке прекидача.

6. Отпустите полуку за покретање и полуку прекидача да бисте зауоставили машину.

### За модел DLM530

1. Поставите улошке батерије. Убаците кључ за закључавање и затим затворите поклопац батерије.
2. Изаберите улошке батерије који се користе за рад тако што ћете окренути прекидач за избор батерије.
3. Притисните главни прекидач.
4. Повуците полуку прекидача према себи док држите притиснуто дугме прекидача. Отпустите дугме прекидача чим се мотор покрене.  
► **Слика21:** 1. Дугме прекидача 2. Полуга прекидача

**НАПОМЕНА:** Ако се кључ за закључавање не уметне, лампица напајања трепери зеленом бојом када се повуче полуга прекидача.

5. Отпустите полуку прекидача да бисте зауоставили мотор.

## Подешавање висине кошења

**▲УПОЗОРЕЊЕ:** Никада немојте стављати руку или ногу испод јединице за кошење када подешавате висину кошења.

**▲УПОЗОРЕЊЕ:** Пре него што почнете са радом увек проверите да ли полуга правилно налаже на жлеб.

Висина кошења може да се подеси у опсегу између 20 мм и 100 мм.

Издадите кључ за закључавање, а затим повуците полуку за подешавање висине кошења ка спољној страни кућишта косице, па је померите на жељену висину кошења.

► **Слика22:** 1. Полуку за подешавање висине кошења

У табели у наставку приказан је однос између броја на кућишту косилице и приближне висине кошења.

Број	Висина кошења
1	20 мм
2	26 мм
3	32 мм
4	39 мм
5	47 мм
6	55 мм
7	63 мм
8	74 мм
9	86 мм
10	100 мм

Држите предњи рукохват или доњу ручку једном руком, а другом руком померите полуку за подешавање висине кошења.

► **Слика23:** 1. Полуку за подешавање висине кошења 2. Доња ручка 3. Предњи рукохват

**НАПОМЕНА:** Слика са приказаном висином кошења даје само оквирну информацију. У зависности од стања траве или земље, стварна висина кошења може донекле да се разликује од подешене висине.

**НАПОМЕНА:** Покушајте пробно да косите траву на мање уочљивим местима како бисте утврдили жељену висину.

## Показивач нивоа траве

Показивач нивоа траве показује количину покошене траве. Када корпа за траву није пуна, показивач лебди док се сечива крећу.

► **Слика24:** 1. Показивач нивоа траве

Када је корпа за траву скоро пуна, показивач не лебди док се сечива крећу. У овом случају, одмах зауставите рад и испразните корпу.

► **Слика25:** 1. Показивач нивоа траве

**НАПОМЕНА:** Овај показивач даје само оквирну информацију. У зависности од услова унутар корпе, показивач можда неће правилно радити.

## Подешавање висине ручки

**▲ ПАЖЊА:** Пре него што уклоните завртње, чврсто ухватите горњу ручку. У супротном, ручка може да падне и изазове повреду.

Висину ручки је могуће подесити у два нивоа.

1. Издадите горње завртње доње ручке помоћу окастог кључа 13, па затим олабавите доње завртње.

► **Слика26:** 1. Горњи завртањ 2. Доњи завртањ

2. Подесите висину ручке, па затим чврсто затегните горње и доње завртње.

## Подешавање брзине кретања

За моделе DLM462/DLM532

► **Слика27:** 1. Полуку за брзину

Брзина кретања може да се подешава помоћу полуге за брзину. Да бисте смањили брзину, повуците полуку према себи, а да бисте повећали брзину, гурните је ка напред.

## Коришћење додатка за малчовање

Додатак за малчовање вам омогућава да вратите покошену траву на земљу, без прикупљања у корпу за траву. Када користите машину са додатком за малчовање, обавезно уклоните корпу за траву.

**ОБАВЕШТЕЊЕ:** Када користите машину са додатком за малчовање, уверите се да је укупна дужина траве након кошења 30 мм или више, а дужина сечења 15 мм или мање.

► **Слика28:** (1) 30 мм или више (2) 15 мм или мање

## Коришћење додатка за избацивање

За моделе DLM530/DLM532

Додатак за избацивање вам омогућава да избаците покошену траву на земљу на десну страну машине, без прикупљања у корпу за траву. Када користите машину са додатком за избацивање, обавезно монтирајте додатак за малчовање и уклоните корпу за траву.

## Електронска функција

Машина је опремљена електронским функцијама за једноставно управљање.

- Контрола константне брзине ротирања сечива Електронска контрола брзине за постизање константне брзине. Могуће је добити фини завршну обраду јер се брзина ротације одржава константном чак и у условима оптерећења.
- Лагани старт при покретању Функција лаганог старта ублажава удар при покретању и омогућава лако покретање машине.
- Електрична кочица Ова машина је опремљена електричном кочицом. Ако после отпуштања полуге прекидача машина редовно не успева да брзо заустави сечива косилице, сервисирајте је у најближем овлашћеном сервисном центру Makita.

# РАД

## Кошење

**▲УПОЗОРЕЊЕ:** Пре кошења уклоните пруће и камење из подручја у коме ћете да косите. Затим унапред склоните и било какав коров из подручја у коме ћете да косите.

**▲УПОЗОРЕЊЕ:** Увек користите заштитну маску или заштитне наочаре са бочним штитницима када радите помоћу косилице.

**▲ПАЖЊА:** Ако се покошена трава или страни тело заглаве у кућишту косилице, обавезно извадите кључ за закључавање и уложак батерије и носите рукавице док уклањате траву или страни тело.

**ОБАВЕШТЕЊЕ:** Користите ову машину само за кошење травњака. Немојте да косите коров са овом машином.

### ► Слика29

Чврсто држите ручку са обе руке када косите. Смерница брзине кошења је приближно 7 до 14 метара на 10 секунди.

### ► Слика30

Средишње линије на предњим точковима су смернице за ширину кошења. Користите средишње линије као смернице, косите у тракама. Да бисте травњак покосили равномерно, преклапањем обухватите од једне половине до једне трећине претходне траке.

► **Слика31:** 1. Ширина кошења 2. Подручје преклопа 3. Средишња линија

Сваку пут мењајте смер кошења, како травњак не би био кошен само у једном правцу.

### ► Слика32

Периодично проверите корпу за траву и покошену траву у њој. Испразните траву пре него што се корпа напуни. Пре сваке периодичне провере, уверите се да сте зауставили косилицу и извадите кључ за закључавање, као и уложак батерије.

**ОБАВЕШТЕЊЕ:** Коришћење косилице са пуном корпом за траву спречава неометано обртање сечива и додатно оптерећује мотор, што може да узрокује хаварију.

## Кошење високе траве

Немојте покушавати да сечете високу траву одједном. Радије косите травњак у корацима. Сачекајте дан или два између кошења, све док трава на травњаку не постане уједначено кратка.

### ► Слика33

**НАПОМЕНА:** Кошење високе траве на ниску висину једним преласком може да изазове одумирање траве. Покошена трава такође може да блокира унутрашњост јединице за кошење.

## Пражњење корпе за траву

**▲УПОЗОРЕЊЕ:** Да бисте смањили ризик од незгоде, редовно проверавајте да корпа за траву није оштећена или да није ослабила. Замените корпу за траву ако је потребно.

1. Отпустите полуку прекидача и полуку за покретање (за моделе DLM462/DLM532), односно отпустите полуку прекидача (за модел DLM530).
2. Извадите кључ за закључавање.
3. Отворите задњи поклопац и извадите корпу за траву држећи је за ручку.  
► **Слика34:** 1. Задњи поклопац 2. Ручка 3. Корпа за траву
4. Испразните корпу за траву.

## ОДРЖАВАЊЕ

**▲УПОЗОРЕЊЕ:** Увек се уверите да су кључ за закључавање и уложак батерије извађени из косилице пре одлагања или преношења косилице, односно обављања прегледа или радова одржавања.

**▲УПОЗОРЕЊЕ:** Увек извадите кључ за закључавање кад се косилица не користи. Чувајте кључ за закључавање на безбедном месту ван домаћаја деце.

**▲УПОЗОРЕЊЕ:** Када обављате радове провере или одржавања носите рукавице.

**▲УПОЗОРЕЊЕ:** Увек користите заштитну маску или заштитне наочаре са бочним штитницима када обављате преглед или радове одржавања.

**ОБАВЕШТЕЊЕ:** Никад немојте да користите нафту, бензин, разређивач, алкохол и слична средства. Може доћи до губитка боје, деформације или оштећења.

БЕЗБЕДАН и ПОУЗДАН рад алата гарантујемо само ако поправке, свако друго одржавање или подешавање, препустите овлашћеном сервису компаније Makita или фабричком сервису, уз употребу оригиналних резервних делова компаније Makita.

## Одржавање

1. Извадите кључ за закључавање и улошке батерије, а затим затворите поклопац батерије.
2. Положите косилицу на бочну страну тако да полука за подешавање висине кошења буде са горње стране. Очистите остатке траве накуљене са доње стране косилице.
3. Сипајте воду ка дну машине на коме је постављено сечиво.

**ОБАВЕШТЕЊЕ:** Немојте прати машину водом под високим притиском.

4. Проверите затегнутост свих матица, завртњева, вијака итд.



5. Прегледајте да покретни делови нису оштећени, сломљени или похабани. Оштећене делове или делове који недостају треба поправити или заменити.

6. Одложите косилицу на безбедно место ван домаћаја деце.

### За моделе DLM462/DLM532

**ОБАВЕШТЕЊЕ:** Немојте да сипате воду на област приказану на слици. Ако сипате воду на моторну јединицу, то може да доведе до квара машине.

► **Слика35:** 1. Област на коју не треба да се сила вода

### Преношење косилице

Када преносите косилицу, две особе треба да држе предњи и задњи рукохват као што је приказано на слици.

► **Слика36:** 1. Предњи рукохват 2. Задњи рукохват

### Одлагање

Чувајте косилицу у затвореном сувом и хладном закључаном простору. Косилицу и пуњач немојте чувати на местима на којима температура може да достигне или премаше 40 °С.

### Уклањање или постављање сечива косилице

**▲УПОЗОРЕЊЕ:** Сечиво успорава за неколико секунди након отпуштања прекидача. Немојте започињати никакав рад све док се сечиво не заустави.

**▲УПОЗОРЕЊЕ:** Увек извадите кључ за закључавање и уложак батерије када уклањате или постављате сечива. Ако се кључ за закључавање и уложак батерије не изваде, може доћи до наношења озбиљних повреда.

**▲УПОЗОРЕЊЕ:** Увек носите рукавице док рукујете сечивом.

### Уклањање сечива косилице

#### За моделе опремљене равним сечивом косилице

1. Положите косилицу на бочну страну тако да полуга за подешавање висине кошења буде са горње стране.

2. За закључавање сечива, уметните клин у отвор на кућишту косилице.

3. Окастим кључем 17 окрените вијак у смеру супротном у односу на кретање казаљке сата.

► **Слика37:** 1. Сечиво косилице 2. Клин 3. Окасти кључ

4. Извадите завртањ, па затим сечиво косилице.

► **Слика38:** 1. Носач сечива 2. Сечиво косилице 3. Завртањ 4. Испупчење

**ОБАВЕШТЕЊЕ:** Када постављате сечиво косилице, поставајте се да испупчења на носачу сечива налегну у отворе на сечиву косилице.

#### За моделе опремљене повратним сечивима косилице

1. Положите косилицу на бочну страну тако да полуга за подешавање висине кошења буде са горње стране.

2. За закључавање основне плоче, уметните клин у отвор на кућишту косилице кроз отвор на основној плочи.

3. Окастим кључем 17 окрените вијак у смеру супротном у односу на кретање казаљке сата.

► **Слика39:** 1. Клин 2. Основна плоча 3. Окасти кључ

4. Извадите завртањ, па затим основну плочу.

► **Слика40:** 1. Носач сечива 2. Основна плоча 3. Завртањ 4. Испупчење

**ОБАВЕШТЕЊЕ:** Када постављате сечива косилице, поставајте се да испупчења на носачу сечива налегну у отворе на основној плочи.

5. Окрените завртањ налево помоћу окастог кључа 17 истовремено држећи основну плочу да бисте извадили појединачно сечиво косилице.

► **Слика41:** 1. Основна плоча 2. Сечиво косилице 3. Окасти кључ

6. Редом извадите навртку, подлошку, еластичну подлошку, сечиво косилице и завртањ.

► **Слика42:** 1. Отвор за завртње 2. Завртањ 3. Сечиво косилице 4. Еластична подлошка 5. Подлошка 6. Навртка

**ОБАВЕШТЕЊЕ:** Када притежете навртке да бисте поставили појединачна сечива косилице, примените момент затезања од 30 Н•м.

**ОБАВЕШТЕЊЕ:** Када постављате појединачно сечиво косилице, обавезно поставите еластичну подлошку у положају приказаном на слици.

**ОБАВЕШТЕЊЕ:** Када постављате појединачно сечиво косилице, обавезно уметните завртње у отворе за завртње приказане на слици.

#### Постављање сечива косилице

**▲УПОЗОРЕЊЕ:** Пажљиво поставите сечиво косилице. Оно има горњу и доњу страну.

**▲УПОЗОРЕЊЕ:** Снажно затегните завртањ у смеру казаљке сата да бисте причврстили сечиво.

**▲УПОЗОРЕЊЕ:** Уверите се да су сечиво косилице и сви делови за фиксирање правилно постављени и чврсто затегнути.

**▲УПОЗОРЕЊЕ:** Увек пратите упутства из овог приручника када мењате сечива.

**ОБАВЕШТЕЊЕ:** Након што поставите сечива косилице, уклоните клин из кућишта косилице.

Да бисте поставили сечива косилице, поновите поступак за скидање обрнутим редоследом.

# РЕШАВАЊЕ ПРОБЛЕМА

Пре него што затражите поправку, најпре сами извршите преглед. Ако наиђете на проблем који није објашњен у упутству, не покушавајте да расклопите машину. Уместо тога затражите поправке од овлашћених сервисних центара Makita и увек користите оригиналне Makita резервне делове приликом поправки.

Неисправно стање	Вероватан узрок (квар)	Отклањање квара
Косилица не може да се покрене.	Два улошка батерије нису постављена.	Поставите два напуњена улошка батерије.
	Проблем са батеријом (поднапон)	Напуните уложак батерије. Ако пуњење не буде успешно, замените уложак батерије.
	Кључ за закључавање није убачен.	Убаците кључ за закључавање.
	Прекидач за избор батерије није у исправном положају.	Користећи прекидач за избор батерије изаберите прикључак батерије у који су постављени улошци батерије.
Мотор престаје са радом после кратке употребе.	Ниво напуњености батерије је низак.	Напуните уложак батерије. Ако пуњење не буде успешно, замените уложак батерије.
	Висина сечења је прениска.	Повећајте висину сечења.
	Посечена трава се заглавила у косици.	Уклоните заглављену траву из косилице.
Мотор не постиже максимални бр. обртаја по мин.	Уложак батерије није правилно испављен.	Поставите уложак батерије као што је описано у овом приручнику.
	Снага батерије опада.	Напуните уложак батерије. Ако пуњење не буде успешно, замените уложак батерије.
	Погонски систем не ради како треба.	Затражите поправку од свог локалног овлашћеног сервисног центра.
Сечиво косилице се не окреће: ⇒ одмах зауставите косилицу!	Неки предмет као што је грана је заглављен код сечива.	Издадите све стране предмете.
	Погонски систем не ради како треба.	Затражите поправку од свог локалног овлашћеног сервисног центра.
Необичне вибрације: ⇒ одмах зауставите косилицу!	Сечиво је неуравнотежено, претерано или неуједначено похабано.	Замените сечиво.

## ОПЦИОНИ ПРИБОР

**⚠ ПАЗЊА:** Ова опрема и прибор су предвиђени за употребу са Makita машином описаном у овом упутству за употребу.

Употреба друге опреме и прибора може да доведе до повреда. Додатну опрему или прибор користите искључиво за предвиђену намену.

Да бисте добили више детаља у вези са овим прибором, обратите се локалном сервисном центру компаније Makita.

- Сечиво косилице
- Makita оригинална батерија и пуњач

**НАПОМЕНА:** Поједине ставке на листи могу бити укључене у садржај паковања производа као стандардна опрема. Оне се могу разликовати од земље до земље.

## SPECIFICAȚII

Model:	DLM462	DLM530	DLM532	
Lățime de tundere (diametrul pânzei)	460 mm	534 mm		
Turație în gol	2.500 min <sup>-1</sup>	2.300 min <sup>-1</sup>		
Viteza maximă	3.300 min <sup>-1</sup>	2.800 min <sup>-1</sup>		
Numărul piesei de schimb pânză mașină de tuns iarba	Pânză dreaptă a mașinii de tuns iarba	191D51-9	191D52-7	
	Pânze cu balans ale mașinii de tuns iarba *1	191D49-6	191D50-1	
	Pânze cu balans ale mașinii de tuns iarba *2	191D47-0	191D48-8	
Dimensiuni (L x l x H)	L: 1.610 mm - 1.690 mm l: 535 mm H: 980 mm - 1.095 mm	L: Între 1.630 mm - 1.715 mm l: 590 mm H: Între 990 mm - 1.095 mm		
Viteza de deplasare	2,5 - 5,0 km/h	–	2,5 - 5,0 km/h	
Tensiune nominală	36 V cc.			
Greutate netă	Atunci când este montată pânza dreaptă a mașinii de tuns iarba	35,3 - 39,0 kg	35,5 - 39,3 kg	39,0 - 42,8 kg
	Atunci când sunt instalate pânzele cu balans ale mașinii de tuns iarba	36,0 - 39,7 kg	36,2 - 40,0 kg	39,7 - 43,5 kg
Grad de protecție	IPX4			

\*1. Placa de bază și pânzele individuale ale mașinii de tuns iarba.

\*2. Doar pânzele individuale ale mașinii de tuns iarba.

- Datorită programului nostru continuu de cercetare și dezvoltare, specificațiile pot fi modificate fără o notificare prealabilă.
- Specificațiile pot varia în funcție de țară.
- Greutatea poate diferi în funcție de accesoriu(ii), inclusiv cartușul acumulatorului. În tabel se prezintă combinația cea mai ușoară și cea mai grea, conform Procedurii EPTA 01/2014.

### Cartușul acumulatorului aplicabil

BL1815N / BL1820 / BL1820B / BL1830 / BL1830B / BL1840 / BL1840B / BL1850 / BL1850B / BL1860B

- Este posibil ca unele cartușe ale acumulatorilor menționate mai sus să nu fie disponibile în funcție de regiunea dvs. de reședință.

**⚠️ AVERTIZARE: Utilizați numai cartușele de acumulator enumerate mai sus.** Utilizarea oricărui altor cartușe de acumulator poate duce la rănire și/sau incendiu.

**⚠️ AVERTIZARE: Nu utilizați o sursă de alimentare cu cablu, cum ar fi un adaptor pentru acumulator sau un bloc de alimentare portabil, cu această mașină.** Cablul sursei de alimentare poate împiedica utilizarea și poate duce la vătămări corporale.

### Simboluri

Mai jos sunt prezentate simbolurile care pot fi utilizate pentru echipament. Asigurați-vă că înțelegeți sensul acestora înainte de utilizare.



Acordați atenție și grijă deosebită.



Citiți manualul de utilizare.



Pericol; țineți cont de obiectele care pot fi aruncate.



Distanța dintre mașină și persoanele aflate în zonă trebuie să fie de cel puțin 15 m.



Nu apropiați niciodată mâinile sau picioarele de lamă sub mașina de tuns iarba. Lamele continuă să se rotească după oprirea motorului.



Scoateți cheia de blocare înainte de a inspecta, regla, curăța, efectua operațiuni de service, lăsa nesupravegheată și depozita mașina de tuns iarba.



Pericol electric. Contactul cu apa poate provoca un șoc electric.



Nu turnați apă.



Doar pentru țările din cadrul UE  
Nu aruncați aparatele electrice sau acumulatorii în gunoii nuje! În conformitate cu Directiva europeană privind deșeurile de echipamente electrice și electronice, bateriile și acumulatorii, precum și bateriile și acumulatorii reziduale și implementarea acestora conform legislației naționale, echipamentele electrice și bateriile și acumulatorii care au ajuns la sfârșitul duratei de viață trebuie colectate separat și reciclate corespunzător în vederea protejării mediului.

## Destinația de utilizare

Mașina se folosește pentru tunderea ierbiilor.

## Zgomot

Nivelul de zgomot normal ponderat A determinat în conformitate cu EN60335-2-77:

**NOTĂ:** Valorile au fost măsurate cu mașina de tuns iarba echipată cu pânza dreaptă a mașinii de tuns iarba.

### Model DLM462

Nivel de presiune acustică ( $L_{pA}$ ): 82,7 dB(A)

Nivel de putere acustică ( $L_{WA}$ ): 90,9 dB(A)

Marjă de eroare (K): 3 dB(A)

### Model DLM530

Nivel de presiune acustică ( $L_{pA}$ ): 78,1 dB(A)

Nivel de putere acustică ( $L_{WA}$ ): 90,4 dB(A)

Marjă de eroare (K): 3 dB(A)

### Model DLM532

Nivel de presiune acustică ( $L_{pA}$ ): 78,1 dB(A)

Nivel de putere acustică ( $L_{WA}$ ): 90,4 dB(A)

Marjă de eroare (K): 3 dB(A)

Nivelul de zgomot în timpul funcționării poate depăși 80 dB (A).

**NOTĂ:** Valoarea (valorile) totală(e) a (ale) emisiilor de zgomot declarate a(u) fost măsurată(e) în conformitate cu o metodă de test standard și poate (pot) fi utilizată(e) pentru compararea unei unelte cu alta.

**NOTĂ:** Valoarea (valorile) totală(e) a (ale) emisiilor de zgomot declarate poate (pot) fi, de asemenea, utilizată(e) într-o evaluare preliminară a expunerii.

**AVERTIZARE:** Purtați echipament de protecție pentru urechi.

**AVERTIZARE:** Emisiile de zgomot în timpul utilizării efective a unelei electrice poate diferi de valoarea (valorile) nivelului declarat, în funcție de modul în care unealta este utilizată, în special ce fel de piesă este prelucrată.

**AVERTIZARE:** Asigurați-vă că identificați măsurile de siguranță pentru a proteja operatorul, acestea fiind bazate pe o estimare a expunerii în condiții reale de utilizare (luând în considerare toate părțile ciclului de operare, precum timpii în care unealta a fost oprită, sau a funcționat în gol, pe lângă timpul de declanșare).

## Vibrații

Valoarea totală a vibrațiilor (suma vectorilor tri-axiali) determinată conform EN60335-2-77:

**NOTĂ:** Valorile au fost măsurate cu mașina de tuns iarba echipată cu pânza dreaptă a mașinii de tuns iarba.

### Model DLM462

Emisie de vibrații ( $a_h$ ): 2,5 m/s<sup>2</sup> sau mai puțin

Marjă de eroare (K): 1,5 m/s<sup>2</sup>

### Model DLM530

Emisie de vibrații ( $a_h$ ): 2,5 m/s<sup>2</sup> sau mai puțin

Marjă de eroare (K): 1,5 m/s<sup>2</sup>

### Model DLM532

Emisie de vibrații ( $a_h$ ): 2,5 m/s<sup>2</sup> sau mai puțin

Marjă de eroare (K): 1,5 m/s<sup>2</sup>

**NOTĂ:** Valoarea (valorile) totală(e) a (ale) nivelului de vibrații declarat a (au) fost măsurată(e) în conformitate cu o metodă de test standard și poate (pot) fi utilizată(e) pentru compararea unei unelte cu alta.

**NOTĂ:** Valoarea (valorile) totală(e) a (ale) nivelului de vibrații declarat poate (pot) fi, de asemenea, utilizată(e) într-o evaluare preliminară a expunerii.

**AVERTIZARE:** Nivelul de vibrații în timpul utilizării efective a unelei electrice poate diferi de valoarea (valorile) nivelului declarat, în funcție de modul în care unealta este utilizată, în special ce fel de piesă este prelucrată.

**AVERTIZARE:** Asigurați-vă că identificați măsurile de siguranță pentru a proteja operatorul, acestea fiind bazate pe o estimare a expunerii în condiții reale de utilizare (luând în considerare toate părțile ciclului de operare, precum timpii în care unealta a fost oprită, sau a funcționat în gol, pe lângă timpul de declanșare).

## Declarație de conformitate CE

*Numai pentru țările europene*

Declarația de conformitate CE este inclusă ca Anexa A în acest manual de instrucțiuni.

## AVERTIZĂRI DE SIGURANȚĂ

### INSTRUCȚIUNI IMPORTANTE PRIVIND SIGURANȚA

**AVERTIZARE:** Citiți toate avertismentele de siguranță și toate instrucțiunile. Nerespectarea acestor avertismente și instrucțiuni poate avea ca rezultat electrocutarea, incendiul și/sau rănirea gravă.

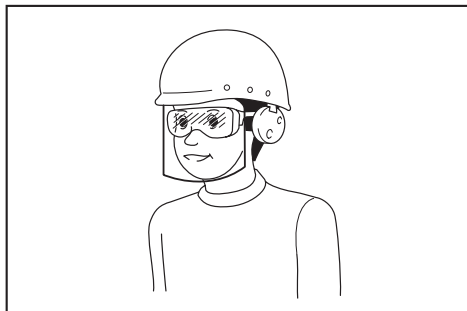
## Păstrați toate avertismentele și instrucțiunile pentru consultări ulterioare.

Instruire

1. Citiți cu atenție instrucțiunile. Familiarizați-vă cu comenzile și cu utilizarea corectă a mașinii de tuns iarba.
2. Nu permiteți niciodată copiilor sau persoanelor care sunt nefamiliarizate cu aceste instrucțiuni să utilizeze mașina de tuns iarba. Reglementările locale pot restricționa vârsta operatorului.
3. Nu folosiți mașina de tuns iarba când în apropiere se află copii sau animale de companie.
4. Amintiți-vă că operatorul sau utilizatorul este responsabil de accidente sau situațiile periculoase antrenate de utilizarea mașinii, cauzate altor persoane sau bunurilor acestora.
5. Copiii trebuie supravegheați, pentru a vă asigura că aceștia nu au acces la mașina de tuns iarba.
6. Stare fizică – nu utilizați mașina de tuns iarba atunci când vă aflați sub influența drogurilor, alcoolului sau a oricărui medicament.

## Pregătire

1. În timpul folosirii mașinii de tuns iarba, purtați întotdeauna încălțăminte solidă și pantaloni lungi. Nu utilizați mașina de tuns iarba cu picioarele goale sau cu sandale. Evitați să purtați bijuterii sau articole de îmbrăcăminte largi sau cu cordoane sau șnururi care atârână. Acestea ar putea fi prinse în piesele mobile.
2. Înainte de utilizare, verificați întotdeauna vizual mașina de tuns iarba pentru a vedea dacă apărătorile sau protecțiile sunt deteriorate, lipsesc sau sunt fixate necorespunzător.
3. Asigurați-vă că în zonă nu se află alte persoane înainte de a tunde iarba. Opriti mașina de tuns iarba dacă intră o persoană în zonă.
4. Nu introduceți cheia de blocare în mașina de tuns iarba până când aceasta nu este gata de utilizare.
5. Purtați întotdeauna ochelari de protecție pentru a vă proteja ochii contra rănirii atunci când utilizați unelte electrice. Ochelarii trebuie să fie în conformitate cu ANSI Z87.1 în S.U.A., EN 166 în Europa sau AS/NZS 1336 în Australia/ Noua Zeelandă. În Australia/Noua Zeelandă se solicită în mod legal și purtarea unei măști obligatorii pentru a vă proteja fața.



Intră în responsabilitatea angajatorului să impună utilizarea unor echipamente de protecție și siguranță adecvate de către utilizatorii mașinii și de către celelalte persoane din imediata apropiere a zonei de lucru.

6. Înainte de folosire, verificați atent dacă pânzele sau șuruburile pânzelor prezintă fisuri sau deteriorări. Înlocuiți imediat pânzele sau șuruburile pânzelor fisurate ori deteriorate.
7. Înlăturați corpurile străine, cum ar fi pietrele, sârmele, sticlele, oasele și bețele mari, din zona de lucru înainte de a tunde iarba pentru a preveni vătămarile personale sau deteriorarea mașinii.
8. Obiectele lovite de pânza mașinii de tuns iarba pot cauza leziuni severe persoanelor. Gazonul trebuie întotdeauna examinat cu atenție și degajat de orice obiecte înainte de fiecare operațiune de tuns iarba.
9. Aveți grijă la gropi, șanțuri, denivelări, pietre sau alte obiecte ascunse. Terenul denivelat poate provoca alunecarea și accidente prin cădere. Iarba înaltă poate să ascundă obstacole.
10. Nu introduceți și nu scoateți cheia de blocare pe timp de ploaie.

11. Purtați echipamentul personal de protecție. Purtați întotdeauna ochelari de protecție. Echipamentele de protecție precum masca de protecție contra prafului, încălțăminte cu talpă antiderapantă, casca sau protecția pentru urechi utilizate pentru condiții corespunzătoare vor reduce riscul accidentărilor.

## Operarea

1. Nu vă întindeți excesiv. Mențineți-vă permanent echilibrul. Asigurați-vă întotdeauna echilibrul atunci când vă deplasați pe suprafețe înclinate. Nu alergați niciodată.
2. Opriti mașina de tuns iarba, scoateți cheia de blocare și asigurați-vă că toate piesele aflate în mișcare s-au oprit complet:
  - ori de câte ori lăsați mașina nesupravegheată,
  - înainte de a elimina blocajele sau de a desfunda jgheabul,
  - înainte de a controla, curăța sau lucra cu mașina,
  - după ce ați lovit un obiect străin. Verificați mașina pentru a detecta eventuale deteriorări și efectuați reparațiile necesare înainte de a repune în funcțiune și utiliza mașina:
  - de fiecare dată când mașina de tuns iarba începe să vibreze anormal.
3. Nu operați niciodată mașina cu apărătorile sau protecțiile defecte sau fără dispozitivele de siguranță, cum ar fi deflectoarele și/sau separatorul de iarbă, montate.
4. Evitați utilizarea mașinii de tuns iarba în condiții de vreme nefavorabilă, în special când există riscul de descărcări electrice.
5. Purtați permanent ochelari de protecție și încălțăminte rezistentă atunci când utilizați mașina de tuns iarba.
6. Operați mașina de tuns iarba doar la lumina zilei sau la o lumină artificială puternică.
7. Porniți mașina de tuns iarba cu atenție conform instrucțiunilor, cu picioarele la distanță de lamă(e).
8. Aveți grijă să nu vă răniți picioarele și mâinile cu pânzele mașinii de tuns iarba.
9. Asigurați-vă întotdeauna că orificiile de ventilație nu conțin reziduuri.
10. Tundeți iarba de-a lungul pantei, niciodată în sus sau în jos. Accordați atenție maximă atunci când schimbați direcția pe suprafețele înclinate. Nu tundeți iarba pe o pantă excesiv de abruptă.
11. Procedați cu maximă atenție atunci când vă deplasați în marșarier sau când trageți mașina spre dumneavoastră.
12. Fixați bine lama/lamele dacă mașina trebuie înclinată pentru transport atunci când traversați suprafețe fără iarbă și când transportați mașina de tuns la sau de la locul în care va fi utilizată.
13. Nu înclinați mașina atunci când porniți motorul, decât dacă mașina trebuie înclinată pentru a porni. În acest caz, nu o înclinați mai mult decât este strict necesar și ridicați numai partea care se află la distanță de operator. Aveți grijă întotdeauna ca ambele mâini să fie în poziția de operare înainte de a pune din nou mașina de tuns iarba pe sol.

14. Nu apropiați mâinile sau picioarele și nu le țineți sub piesele rotative. Păstrați în permanență distanța față de orificiul de descărcare.
  15. Nu transportați mașina în timp ce este în funcțiune.
  16. Evitați operarea mașinii pe iarba udă.
  17. Țineți întotdeauna strâns mânerul.
  18. Nu apucați lamele de tăiere sau muchiile de tăiere expuse atunci când ridicăți sau țineți mașina de tuns iarba.
  19. Țineți mâinile și picioarele la distanță de lamele rotative. Atenție - Lamele se rotesc după ce opriți mașina.
  20. Întrerupeți imediat activitatea dacă observați orice lucru neobișnuit. Opriți mașina de tuns iarba și scoateți cheia de blocare. Apoi inspectați mașina.
  21. Nu încercați niciodată să reglați înălțimea de tăiere în timp ce mașina funcționează, în cazul în care aceasta dispune de o funcție de reglare a înălțimii.
  22. Eliberați pârghia de comutare și așteptați să înceteze rotația pânzelor înainte de a traversa alei, cărări, drumuri și orice zone acoperite cu prundiș. De asemenea, scoateți cheia de blocare dacă lăsați mașina nesupravegheată, dacă vă aplecați să ridicăți sau să îndepărtați ceva din drum sau din orice alt motiv care v-ar putea distra atenția de la ceea ce faceți.
  23. În cazul în care mașina de tuns iarba lovește un obiect străin, urmați acești pași:
    - Opriți mașina, eliberați levierul schimbătorului de viteză și așteptați până când lama se oprește complet.
    - Scoateți cheia de blocare și cartușul acumulatorului.
    - Inspectați cu atenție mașina de tuns iarba pentru a detecta eventuale deteriorări.
    - Înlocuiți lama dacă s-a deteriorat în vreun fel. Reparați orice defecțiune înainte de a reporni și continua operarea mașinii de tuns iarba.
  24. Nu porniți mașina atunci când vă aflați în fața orificiului de descărcare.
  25. Dacă mașina începe să vibreze anormal (verificați imediat)
    - inspectați pentru a detecta eventuale deteriorări,
    - înlocuiți sau reparați orice piese deteriorate,
    - verificați prezența și strângeți orice piese slăbite.
  26. Nu îndreptați niciodată materialul evacuat spre alte persoane. Evitați evacuarea materialului pe un perete sau un alt obstacol. Materialul poate ricoșa înspre operator. Opriți pânza atunci când treceți peste suprafețe acoperite cu pietriș.
  27. Nu trageți mașina de tuns iarba în sens invers decât dacă este absolut necesar. Dacă trebuie să trageți mașina de tuns iarba în sens invers pentru a reveni de lângă un gard sau alt obstacol similar, priviți în jos și în spate înaintea și în timpul deplasării cu spatele.
  28. Opriți motorul și așteptați până când pânza se oprește complet înainte de a scoate opritorul pentru iarba. Aveți grijă la pânze, care se rotesc liber după oprire.
  29. Dacă folosiți mașina pe terenuri noroioase, pe pante umede sau în locuri alunecoase, fiți atenți la păstrarea echilibrului.
  30. Evitați utilizarea acesteia în medii necorespunzătoare, în care utilizatorul poate resimți un nivel crescut de oboseală.
  31. Nu utilizați mașina în condiții de vreme nefavorabilă, când vizibilitatea este limitată. Nerespectarea acestor instrucțiuni poate duce la cădere sau la o utilizare incorectă din cauza vizibilității reduse.
  32. Nu scufundați mașina în bălți de apă.
  33. Îndepărtați frunzele ude sau noroiul care se lipește de gura de aspirație (orificiul de ventilație) din cauza ploii.
  34. Nu folosiți mașina în zăpadă.
  35. Dacă iarba tăiată este umedă, aceasta se poate bloca în mașină. Verificați starea mașinii periodic și eliminați iarba lipită, după caz.
  36. Atunci când mașina este în funcțiune, fiți atenți la conducte și la cabluri.
  37. Nu utilizați o sursă de alimentare cu cablu, cum ar fi un adaptor pentru acumulator sau un bloc de alimentare portabil, cu această mașină. Cablul sursei de alimentare poate împiedica utilizarea și poate duce la vătămări corporale.
- Întreținere și depozitare**
1. Pentru siguranță, înlocuiți componentele uzate sau deteriorate. Utilizați doar piese de schimb și accesorii originale.
  2. Verificați și întrețineți periodic mașina de tuns iarba.
  3. Dacă nu o utilizați, depozitați mașina de tuns iarba departe de raza de acțiune a copiilor.
  4. Mențineți piulițele, bolțurile și șuruburile strânse pentru a vă asigura că echipamentul este în bună stare de funcționare.
  5. Verificați frecvent coșul pentru iarbă, pentru a detecta semne de uzură sau deteriorare. Pentru depozitare, asigurați-vă întotdeauna că ați golit coșul pentru iarbă. Înlocuiți un coș pentru iarbă uzat cu un nou coș de schimb din fabrică pentru siguranță.
  6. Folosiți numai lamele originale ale producătorului specificate în acest manual.
  7. Aveți grijă în timpul reglării mașinii pentru a preveni prinderea degetelor între lamele în mișcare și piesele fixe ale mașinii.
  8. Verificați la intervale frecvente dacă bolțul de montare al lamei este strâns corespunzător.
  9. Lăsați întotdeauna mașina să se răcească înainte de a o depozita.
  10. Când efectuați operațiuni de service asupra lamelor, rețineți că, deși sursa de alimentare este oprită, lamele pot fi mișcate în continuare.
  11. Nu scoateți sau modificați niciodată dispozitivele de siguranță. Verificați periodic funcționarea corespunzătoare a acestora. Nu efectuați niciodată activități care ar putea modifica funcționarea recomandată a unui dispozitiv de siguranță sau ar putea reduce protecția furnizată de un dispozitiv de siguranță.
  12. Nu lăsați mașina nesupravegheată afară, în ploaie.

13. Nu spălați mașina cu jet de apă cu presiune ridicată.
14. Când spălați mașina, asigurați-vă că îndepărtați acumulatorul și cheia de blocare și că închideți capacul acumulatorului, și turnați apă înspre partea de jos a mașinii, de care este atașată pâza.
15. Atunci când depozitați mașina, evitați expunerea directă a acesteia la lumina soarelui și la ploaie, și amplasați-o într-un loc în care nu se încălzește și nici nu se umezește.
16. Efectuați inspecția sau întreținerea într-un loc în care ploaia poate fi evitată.
17. După utilizarea mașinii, îndepărtați murdăria acumulată și uscați mașina complet înainte de depozitare. În funcție de anotimp sau de zonă, există riscul unor defecțiuni din cauza înghețului.

#### Utilizarea și îngrijirea acumulatorului mașinii

1. Efectuați reincărcarea numai cu încărcătorul specificat de producător. Un încărcător adecvat pentru un anumit tip de acumulator poate prezenta risc de incendiu dacă este utilizat cu alt tip de acumulator.
2. Folosiți mașinile electrice numai cu acumuloarele special destinate acestora. Utilizarea altor acumuloare poate prezenta risc de rănire și de incendiu.
3. Când nu folosiți cartușul de acumulatori, țineți-l la distanță de obiecte metalice precum agrafe de birou, monede, chei, cuie, șuruburi sau alte obiecte metalice mici, ce pot constitui o legătură între cele două borne. Scurtcircuitarea bornelor acumulatorului poate provoca arsuri sau incendii.
4. În condiții extreme, lichidul poate fi eliminat din acumulator; evitați contactul cu acesta. Dacă intrați în contact accidental, clătiți bine cu apă zona afectată. Dacă lichidul intră în contact cu ochii, consultați și un medic. Lichidul eliminat din acumulator poate provoca iritații sau arsuri.
5. Nu utilizați un acumulator sau o unealtă care este avariată sau modificată. Bateriile avariate sau modificate pot prezenta comportament imprevizibil ce poate cauza incendii, explozii sau risc de rănire.
6. Nu expuneți un acumulator sau o unealtă la foc sau la temperaturi excesive. Expunerea la foc sau la temperaturi mai mari de 130 °C poate cauza explozii.
7. Urmați toate instrucțiunile de încărcare și nu încărcați acumulatorul sau unealta la temperaturi din afara intervalului specificat în instrucțiuni. Încărcarea incorectă sau la temperaturi din afara intervalului specificat poate cauza deteriorarea bateriei și creșterea riscului de incendiu.

#### Siguranța electrică și a acumulatorului

1. Nu aruncați acumulatorul(ii) în foc. Elementul poate exploda. Consultați codurile locale pentru posibile instrucțiuni speciale privind eliminarea.
2. Nu deschideți și nu dezmembrați acumulatorul(ii). Electrolitul eliberat este coroziv și poate cauza afecțiuni ale pielii și ochilor. Acesta poate fi toxic dacă este înghițit.
3. Nu încărcați bateria în ploaie sau în zone cu umezeală.
4. Nu încărcați acumulatorul în exterior.

5. Nu manipulați încărcătorul, inclusiv fișa și bornele acestuia, cu mâinile ude.
6. Nu înlocuiți acumulatorul pe timp de ploaie.
7. Nu umeziți bornele acumulatorului cu lichid precum apă și nu scufundați acumulatorul în apă. Nu lăsați acumulatorul în ploaie și nu încărcați, nu utilizați sau nu depozitați acumulatorul într-un loc umez sau ud. Dacă bornele se udă sau intră lichid în acumulator, acumulatorul poate fi scurtcircuitat și există riscul de supraîncălzire, ardere sau explozie.
8. După ce scoateți acumulatorul din mașină sau din încărcător, asigurați-vă că atașați capacul acumulatorului la acumulator și că îl depozitați într-un loc uscat.
9. Nu înlocuiți acumulatorul cu mâinile umede.

#### Service

1. Mașina electrică trebuie să fie reparată de un expert, folosind piese identice de schimb. Astfel se mențin siguranța și fiabilitatea mașinii electrice.
2. Nu reparați niciodată acumuloarele avariate. Repararea acumuloarelor trebuie efectuată numai de către producător sau de furnizorii de service autorizați.

## PĂSTRAȚI ACESTE INSTRUCȚIUNI.

**⚠️ AVERTIZARE:** NU permiteți comodității și familiarizării cu produsul (obținute prin utilizare repetată) să înlocuiască respectarea strictă a normelor de securitate pentru acest produs.

FOLOSIREA INCORECTĂ sau nerespectarea normelor de securitate din acest manual de instrucțiuni poate provoca vătămări corporale grave.

### Instrucțiuni importante privind siguranța pentru cartușul acumulatorului

1. Înainte de a folosi cartușul acumulatorului, citiți toate instrucțiunile și atenționările de pe (1) încărcătorul acumulatorului, (2) acumulator și (3) produsul care folosește acumulatorul.
2. Nu dezamblați și nu interveniți asupra cartușului acumulatorului. Acest lucru poate cauza incendii, căldură excesivă sau explozii.
3. Dacă timpul de funcționare s-a redus excesiv, întrerupeți imediat funcționarea. Aceasta poate prezenta risc de supraîncălzire, posibile arsuri și chiar explozie.
4. Dacă electrolitul pătrunde în ochi, clătiți bine ochii cu apă curată și consultați imediat un medic. Există risc de orbire.
5. Nu scurtcircuitați cartușul acumulatorului:
  - (1) Nu atingeți bornele cu niciun material conductor.
  - (2) Evitați depozitarea cartușului acumulatorului la un loc cu alte obiecte metalice cum ar fi cuie, monede etc.
  - (3) Nu expuneți cartușul acumulatorului la apă sau ploaie.

Un scurtcircuit al acumulatorului poate provoca un flux puternic de curent electric, supraîncălzire, posibile arsuri și chiar defectarea mașinii.

6. Nu depozitați și nu utilizați mașina și cartușul acumulatorului în locuri în care temperatura poate atinge sau depăși 50 °C (122 °F).
7. Nu incinerati cartușul acumulatorului chiar dacă acesta este grav deteriorat sau complet uzat. Cartușul acumulatorului poate exploda în foc.
8. Nu introduceți cuie în cartușul acumulatorului, nu îl tăiați, striviți, aruncați sau scăpați și nu îl loviți cu un obiect dur. Astfel de acțiuni pot provoca incendii, căldură excesivă sau explozii.
9. Nu utilizați un acumulator deteriorat.
10. Acumulatorii Li-Ion încorporați se supun cerințelor Legislației privind substanțele periculoase.  
Pentru transporturi comerciale, efectuate de exemplu de către părți terțe, expeditori, trebuie respectate cerințele speciale de ambalare și etichetare.  
Pentru pregătirea articolului care urmează să fie expedit, este necesară consultarea unui expert în materiale periculoase. Vă rugăm să respectați, de asemenea, reglementările naționale, care pot fi mai detaliate.  
Izolați sau acoperiți contactele deschise și împachetați acumulatorul în așa fel încât să nu se poată mișca în ambalaj.
11. Atunci când eliminați la deșeurii cartușul acumulatorului, scoateți-l din mașină și eliminați-l într-un loc sigur. Respectați normele naționale privind eliminarea la deșeurii a acumulatorului.
12. Utilizați acumuloarele numai cu produsele specificate de Makita. Instalarea acumuloarelor în produse neconforme poate cauza incendii, căldură excesivă, explozii sau scurgeri de electrolit.
13. Dacă mașina nu este utilizată o perioadă lungă de timp, acumulatorul trebuie scos din acesta.
14. În timpul utilizării și după aceea, cartușul acumulatorului se poate încălzi, ceea ce poate cauza arsuri sau arsuri la temperaturi scăzute. Fiți atenți la manipularea cartușelor de acumulator atunci când sunt fierbinți.
15. Nu atingeți borna mașinii imediat după utilizare, întrucât se poate încălzi foarte tare și poate provoca arsuri.
16. Nu lăsați să pătrundă așchii, praf sau pământ în borne, în orificii și în canelurile cartușului acumulatorului. Acest lucru poate duce la o performanță slabă sau poate cauza defectarea mașinii sau a cartușului acumulatorului.
17. Nu utilizați cartușul acumulatorului în apropierea liniilor electrice de înaltă tensiune, cu excepția cazului în care mașina suportă utilizarea în apropierea liniilor electrice de înaltă tensiune. Acest lucru poate duce la funcționarea necorespunzătoare sau la defectarea mașinii sau a cartușului acumulatorului.
18. Țineți acumulatorul la distanță de copii.

## PĂSTRAȚI ACESTE INSTRUCȚIUNI.

**⚠ATENȚIE:** Folosiți numai acumulatori Makita originali. Acumulatorii Makita care nu sunt originali și acumulatorii care au suferit modificări se pot aprinde, provocând incendii, leziuni corporale și daune. De asemenea, anulează garanția oferită de Makita pentru unele și încărcătorul Makita.

## Sfaturi pentru obținerea unei durate maxime de exploatare a acumulatorului

1. Încărcați cartușul acumulatorului înainte de a se descărca complet. Întrerupeți întotdeauna funcționarea mașinii și încărcați cartușul acumulatorului când observați o scădere a puterii mașinii.
2. Nu reîncărcați niciodată un acumulator complet încărcat. Suprîncărcarea va scurta durata de exploatare a acumulatorului.
3. Încărcați cartușul acumulatorului la temperatura camerei, între 10 °C - 40 °C (50 °F - 104 °F). Lăsați un acumulator fierbinte să se răcească înainte de a-l încărca.
4. Atunci când nu utilizați cartușul acumulatorului, scoateți-l din mașină sau din încărcător.
5. Încărcați cartușul acumulatorului în cazul în care nu a fost utilizat pe o perioadă mai lungă (mai mult de șase luni).

## ASAMBLARE

**⚠AVERTIZARE:** Aveți grijă întotdeauna să scoateți cheia de blocare și cartușul de acumulator înainte de a efectua orice activitate cu mașina de tuns iarba. Dacă nu scoateți cheia de blocare și cartușul de acumulator, puteți suferi leziuni corporale grave din cauza pornirii accidentale.

**⚠AVERTIZARE:** Nu porniți niciodată mașina dacă aceasta nu este complet asamblată. Utilizarea mașinii care este asamblată numai parțial poate provoca accidentări grave cauzate de pornirea accidentală.

## Montarea mânerului

**NOTĂ:** Atunci când montați mâner, poziționați cablurile astfel încât acestea să nu se aghete în niciun obiect între mâner. Este posibil ca mașina să nu pornească dacă este deteriorat cablul.

1. Aliniați orificiile din mânerul inferior și orificiile de pe corpul mașinii de tuns iarba, apoi strângeți temporar 4 șuruburi.  
► Fig.1: 1. Mâner inferior 2. Șurub
2. Strângeți ferm cele 4 șuruburi care au fost strânse temporar în etapa 1 folosind o cheie inelară de 13.
3. Aliniați orificiul din mânerul inferior cu orificiul din mânerul superior, apoi introduceți șuruburile dinspre interior și după aceea strângeți piulița din exterior folosind o cheie inelară de 13. Reluați aceeași procedură pe cealaltă parte.  
► Fig.2: 1. Bolț 2. Mâner inferior 3. Piuliță 4. Orificiu 5. Mâner superior



**⚠ATENȚIE:** Țineți cu fermitate mânerul superior astfel încât să nu vă scape din mână. În caz contrar, mânerul poate cădea, cauzând accidentări.

#### 4. Atașați suporturile de mâner.

Aliniați proeminențele de pe suport cu orificiile de pe mâner, astfel încât proeminențele să poată pătrunde în orificii. Poziționați cablurile ca în figură.

► **Fig.3:** 1. Cablu 2. Suport

### Scoaterea accesoriului de mulcire

#### 1. Deschideți capacul posterior.

► **Fig.4:** 1. Capac posterior

#### 2. Îndepărtați accesoriul de mulcire ținând apăsată pârghia.

► **Fig.5:** 1. Pârghie 2. Accesoriu de mulcire

### Montarea sau demontarea coșului pentru iarbă

Pentru a monta coșul pentru iarbă, urmați pașii de mai jos.

#### 1. Deschideți capacul posterior.

► **Fig.6:** 1. Capac posterior

#### 2. Țineți mânerul coșului pentru iarbă și apoi conectați coșul la tija corpului mașinii de tuns iarba, așa cum se arată în figură.

► **Fig.7:** 1. Tijă 2. Mâner 3. Coș pentru iarbă

Pentru a îndepărta coșul pentru iarbă, deschideți capacul din spate, apoi scoateți coșul pentru iarbă ținând de mâner.

### Montarea accesoriului de mulcire

#### 1. Deschideți capacul posterior, iar apoi demontați coșul pentru iarbă.

► **Fig.8:** 1. Capac posterior 2. Coș pentru iarbă

#### 2. Atașați accesoriul de mulcire ținând apăsată pârghia, iar apoi eliberați pârghia pentru a bloca accesoriul de mulcire.

► **Fig.9:** 1. Pârghie 2. Accesoriu de mulcire

### Atașarea accesoriului pentru descărcare

Pentru DLM530/DLM532

#### 1. Deschideți capacul posterior, iar apoi demontați coșul pentru iarbă.

► **Fig.10:** 1. Capac posterior 2. Coș pentru iarbă

#### 2. Atașați accesoriul de mulcire ținând apăsată pârghia, iar apoi eliberați pârghia pentru a bloca accesoriul de mulcire.

► **Fig.11:** 1. Pârghie 2. Accesoriu de mulcire

#### 3. Deschideți capacul din dreapta, apoi atașați accesoriul pentru descărcare.

Introduceți cârligele accesoriului pentru descărcare sub tija capacului din dreapta.

► **Fig.12:** 1. Capac dreapta 2. Accesoriu pentru descărcare

## DESCRIEREA FUNCȚIILOR

### Instalarea sau scoaterea cartușului acumulatorului

**⚠ATENȚIE:** Întotdeauna opriți mașina înainte de montarea sau demontarea cartușului acumulatorului.

**⚠ATENȚIE:** Țineți ferm mașina și cartușul acumulatorului la instalarea sau scoaterea cartușului acumulatorului. În caz contrar, acestea vă pot aluneca din mâini, ceea ce poate conduce la defectarea mașinii și a cartușului acumulatorului, precum și la vătămări corporale.

**⚠ATENȚIE:** Asigurați-vă că blocați capacul acumulatorului înainte de utilizare. În caz contrar, noroiul, murdăria sau apa pot cauza defectarea produsului sau a cartușului de acumulator.

**⚠ATENȚIE:** Introduceți întotdeauna complet cartușul acumulatorului, până când indicatorul roșu nu mai este vizibil. În caz contrar, acesta poate cădea accidental din mașină, provocând rănirea dumneavoastră sau a persoanelor din jur.

**⚠ATENȚIE:** Nu forțați cartușul acumulatorului la montare. Dacă acesta nu glisează ușor, înseamnă că a fost introdus incorect.

**NOTĂ:** Mașina nu funcționează doar cu un singur cartuș de acumulator.

Pentru montarea cartușului de acumulator:

#### 1. Trageți în sus de pârghia de blocare și apoi deschideți capacul acumulatorului.

► **Fig.13:** 1. Capacul acumulatorului 2. Pârghie de blocare

#### 2. Aliniați limba de pe cartușul acumulatorului cu orificiul mașinii, apoi glisați cartușul până când se fixează în poziție cu un clic.

► **Fig.14:** (1) Port pentru acumulator 1 (2) Port pentru acumulator 2 (3) Cartușul acumulatorului

**NOTĂ:** Montați cel puțin 2 cartușe de acumulator la portul pentru acumulator 1 sau la portul pentru acumulator 2.

#### 3. Introduceți cheia de blocare în locul indicat în figură până la capăt.

► **Fig.15:** 1. Cheie de blocare

#### 4. Închideți capacul de acumulator și apăsați pe el până când se cuplează cu pârghia de blocare.

**Pentru demontarea cartușului de acumulator:**

#### 1. Trageți în sus de pârghia de blocare și deschideți capacul acumulatorului.

#### 2. Trageți cartușul acumulatorului din mașină în timp ce glisați butonul de pe partea frontală a cartușului.

#### 3. Scoateți cheia de blocare.

#### 4. Închideți capacul de acumulator.

## Înlocuirea cartușelor acumulatorului

► **Fig.16:** 1. Comutator de selecție a acumulatorului

Mașina utilizează concomitent 2 cartușe de acumulator pentru a funcționa. Pe mașină pot fi montate până la 4 cartușe de acumulator. Înainte de a utiliza mașina, selectați portul pentru acumulator 1 sau portul pentru acumulator 2 prin rotirea comutatorului de selecție a acumulatorului.

**NOTĂ:** Dacă pe mașină sunt montate numai 2 cartușe de acumulator, asigurați-vă că selectați portul pentru acumulator la care sunt montate cartușele, utilizând comutatorul de selecție a acumulatorului.

## Sistem de protecție mașină/acumulator

Mașina este prevăzută cu un sistem de protecție a mașinii/acumulatorului. Acest sistem întrerupe automat alimentarea motorului pentru a extinde durata de funcționare a mașinii și a acumulatorului. Mașina se va opri automat în timpul funcționării dacă mașina sau acumulatorul se află într-una dintre situațiile următoare:

### Protecție la suprasarcină

Atunci când acumulatorul este utilizat într-un mod care cauzează un consum de curent neobișnuit de ridicat, mașina se va opri automat și indicatorul sursei de alimentare principale emite o lumină verde intermitentă. În această situație, opriți mașina și întrerupeți aplicația care a dus la suprasolicitarea mașinii. Apoi, reporniți mașina.

### Protecție la supraîncălzire

Dacă mașina sau acumulatorul se supraîncălzeste, mașina se oprește automat și indicatorul sursei de alimentare emite o lumină roșie. În acest caz, lăsați mașina și acumulatorul să se răcească înainte de a reporni mașina.

### Protecție la supradescărcare

În cazul în care capacitatea acumulatorului nu este suficientă, mașina se oprește automat și indicatorul sursei de alimentare emite o lumină roșie intermitentă. În acest caz, scoateți acumulatorul din mașină și încărcăți cartușele acumulatorului sau schimbați cartușele acumulatorului cu unele complet încărcate.

## Indicarea capacității rămase a acumulatorului

**Numai pentru cartușe de acumulator cu indicator**

► **Fig.17:** 1. Lămpi indicatoare 2. Buton de verificare

Apăsăți butonul de verificare de pe cartușul acumulatorului, astfel încât să se indice capacitățile rămase ale acumulatorului. Lămpile indicatorului vor lumina timp de câteva secunde.

Lămpi indicatoare			Capacitate rămasă
Iluminat	Oprit	Iluminare intermitentă	
■ ■ ■ ■			între 75% și 100%
■ ■ ■ □			între 50% și 75%
■ ■ □ □			între 25% și 50%
■ □ □ □			între 0% și 25%
▬ □ □ □			Încărcați acumulatorul.
■ ■ □ □			Este posibil ca acumulatorul să fie defect.
□ □ ■ ■			

**NOTĂ:** În funcție de condițiile de utilizare și temperatura ambientală, indicația poate fi ușor diferită de capacitatea reală.

## Panou de control

Panoul de control conține întrerupătorul de alimentare principal, butonul de comutare a modurilor și indicatorul pentru capacitatea rămasă a acumulatorului.

► **Fig.18:** 1. Indicator acumulator 2. Indicator de comutare a modurilor 3. Indicator alimentare principală 4. Buton de verificare 5. Buton de comutare a modurilor 6. Întrerupător de alimentare principal

## Întrerupător de alimentare principal

**⚠️AVERTIZARE:** Opriti întotdeauna întrerupătorul de alimentare principal atunci când nu utilizați unealta.

Pentru a porni mașina, apăsați întrerupătorul de alimentare principal. Indicatorul de alimentare principal emite o lumină verde. Pentru a opri mașina, apăsați din nou întrerupătorul de alimentare principal.

**NOTĂ:** Dacă indicatorul sursei de alimentare emite o lumină roșie sau o lumină roșie sau verde intermitentă, consultați instrucțiunile sistemului de protecție a mașinii/acumulatorului.









**NOTĂ:** Această mașină este dotată cu funcția de oprire automată. Pentru a evita pornirea neintenționată, întrerupătorul de alimentare principal se va închide automat dacă pârghia de comutare și pârghia de acționare (dacă există ca dotare) nu sunt trase pentru o anumită perioadă de timp după pornirea acestuia.

## Buton de comutare a modurilor

Puteți schimba modul de operare apăsând butonul de comutare a modurilor. La pornirea mașinii, este activat modul normal. Când apăsați pe butonul de comutare a modurilor, mașina trece la modul de reducere a zgomotului și indicatorul de comutare a modurilor emite o lumină verde. În modul de reducere a zgomotului, puteți diminua zgomotul din timpul tăierii ierbii. Dacă apăsați din nou butonul de comutare a modurilor, mașina revine la modul normal.

## Indicarea capacității rămase a acumulatorului

Apăsați butonul de verificare pentru indicarea capacității rămase a acumulatorului. Indicatoarele de acumulator corespund fiecărei acumulator.

Stare indicator acumulator		Capacitatea rămasă a acumulatorului
 Pornit	 Oprit	
		50% - 100%
		20% - 50%
		0% - 20%

**NOTĂ:** Lampa indicatoare pentru capacitatea rămasă a bateriei este doar pentru referință. Capacitatea efectivă a acumulatorului poate varia în funcție de condițiile de utilizare.

**NOTĂ:** Înainte de a apăsa butonul de verificare pentru a consulta capacitatea rămasă a acumulatorului, opriți mașina.

## Acționarea întrerupătorului

**⚠️ AVERTIZARE:** Înainte de a instala cartușul acumulatorului, verificați întotdeauna dacă pârghia de comutare funcționează corect și revine în poziția inițială după ce este eliberată. Utilizarea mașinii cu un comutator care nu funcționează corect poate duce la pierderea controlului și la accidentări grave.

**NOTĂ:** Mașina de tuns iarba nu pornește fără a apăsa pe butonul de comutare chiar dacă levierul schimbătorului de viteză este tras.

**NOTĂ:** Este posibil ca mașina de tuns iarba să nu pornească din cauza supraîncărcării atunci când încercați să tundeți iarbă înaltă sau deasă dintr-o dată. În acest caz, măriți înălțimea de tundere.

Această mașină de tuns iarba este prevăzută cu o cheie de blocare și cu un comutator cu mâner. Dacă observați ceva neobișnuit la cheia de blocare sau la comutator, opriți imediat funcționarea și solicitați verificarea acestora de către cel mai apropiat Centru de service autorizat Makita.

## Pentru DLM462/DLM532

1. Montați cartușele de acumulator. Introduceți cheia de blocare și apoi închideți capacul acumulatorului.
2. Selectați cartușele de acumulator utilizate pentru operație prin rotirea comutatorului de selecție a acumulatorului.
3. Apăsați întrerupătorul de alimentare principal.
4. Trageți pârghia de comutare spre dumneavoastră în timp ce țineți apăsat butonul comutator. Eliberați butonul comutator de îndată ce motorul începe să funcționeze.  
▶ **Fig.19:** 1. Buton comutator 2. Levier de comutare

**NOTĂ:** În cazul în care cheia de blocare nu este introdusă, indicatorul de alimentare emite o lumină verde atunci când trageți de pârghia de comutare.

5. În timp ce țineți pârghia de comutare, împingeți pârghia de acționare în față și mențineți-o în această poziție pentru a acționa roțile din spate.  
▶ **Fig.20:** 1. Pârghie de acționare

**NOTĂ:** Puteți acționa roțile din spate împingând pârghia de acționare în față și menținând-o în această poziție, fără a trage pârghia de comutare.

6. Pentru a opri mașina, eliberați pârghia de acționare și pârghia de comutare.

## Pentru DLM530

1. Montați cartușele de acumulator. Introduceți cheia de blocare și apoi închideți capacul acumulatorului.
2. Selectați cartușele de acumulator utilizate pentru operație prin rotirea comutatorului de selecție a acumulatorului.
3. Apăsați întrerupătorul de alimentare principal.
4. Trageți pârghia de comutare spre dumneavoastră în timp ce țineți apăsat butonul comutator. Eliberați butonul comutator de îndată ce motorul începe să funcționeze.  
▶ **Fig.21:** 1. Buton comutator 2. Levier de comutare

**NOTĂ:** În cazul în care cheia de blocare nu este introdusă, indicatorul de alimentare emite o lumină verde atunci când trageți de pârghia de comutare.

5. Eliberați pârghia de comutare pentru a opri motorul.

## Reglarea înălțimii de tundere a ierbii

**⚠️ AVERTIZARE:** Nu țineți niciodată mâna sau piciorul sub mașină atunci când reglați înălțimea de tundere a ierbii.

**⚠️ AVERTIZARE:** Asigurați-vă întotdeauna că pârghia se potrivește corect în canelură înainte de funcționare.

Înălțimea de tundere a ierbii poate fi reglată în intervalul 20 mm și 100 mm.

Scoateți cheia de blocare și trageți maneta de reglare a înălțimii de tundere în exteriorul corpului mașinii de tuns, reglând-o la înălțimea de tuns dorită.

▶ **Fig.22:** 1. Manetă de reglare a înălțimii de tundere a ierbii

Tablelul de mai jos prezintă relația dintre numărul de pe corpul mașinii de tuns iarba și înălțimea aproximativă de tăiere a ierbii.

Numer	Înălțimea de tăiere a ierbii
1	20 mm
2	26 mm
3	32 mm
4	39 mm
5	47 mm
6	55 mm
7	63 mm
8	74 mm
9	86 mm
10	100 mm

Țineți mânerul frontal sau inferior cu o mână și apoi deplasați maneta de reglare a înălțimii de tundere a ierbii cu cealaltă mână.

► **Fig.23:** 1. Manetă de reglare a înălțimii de tundere a ierbii 2. Mâner inferior 3. Mâner frontal

**NOTĂ:** Figurile care ilustrează înălțimea de tundere a ierbii se folosesc doar ca indicație orientativă. În funcție de iarbă sau de sol, înălțimea efectivă a ierbii poate fi ușor diferită de înălțimea setată.

**NOTĂ:** Încercați ca test să tundeți iarbă într-un loc mai puțin vizibil pentru a obține înălțimea dorită.

## Indicator nivel iarbă

Indicatorul nivelului ierbii indică volumul ierbii tunse. Când coșul pentru iarbă nu este plin, indicatorul se mișcă în timp ce pânzele mașinii de tuns iarbă sunt în funcțiune.

► **Fig.24:** 1. Indicator nivel iarbă

Când coșul pentru iarbă este aproape plin, indicatorul nu se mișcă în timp ce pânzele mașinii de tuns iarbă sunt în funcțiune. În acest caz, opriți imediat operația și golii coșul.

► **Fig.25:** 1. Indicator nivel iarbă

**NOTĂ:** Acest indicator este un ghidaj aproximativ. În funcție de condițiile din interiorul coșului, este posibil ca acest indicator să nu funcționeze corect.

## Reglarea înălțimii mânerului

**ATENȚIE:** Înainte de a scoate șuruburile, strângeți ferm mânerul superior. În caz contrar, mânerul poate cădea, cauzând accidentări.

Înălțimea mânerului poate fi reglată la două niveluri.

1. Scoateți șuruburile superioare ale mânerului inferior cu ajutorul unei chei inelare de 13, apoi slăbiți șuruburile inferioare.

► **Fig.26:** 1. Șurub superior 2. Șurub inferior

2. Reglați înălțimea mânerului și apoi strângeți ferm șuruburile superioare și inferioare.

## Reglarea vitezei de deplasare

Pentru DLM462/DLM532

► **Fig.27:** 1. Pârghie de viteză

Viteza de deplasare poate fi reglată cu ajutorul pârghiei de viteză. Pentru a reduce viteza, trageți pârghia spre dumneavoastră și pentru a crește viteza, rotiți pârghia în față.

## Utilizarea accesoriului de mulcire

Accesoriul de mulcire vă permite să reduceți iarbă tăiată pe sol fără a strânge iarbă tăiată în coșul pentru iarbă. Atunci când utilizați mașina cu accesoriul de mulcire, aveți grijă să demontați coșul pentru iarbă.

**NOTĂ:** Atunci când utilizați mașina cu accesoriul de mulcire, asigurați-vă că lungimea totală a ierbii după tăiere este de cel puțin 30 mm, iar lungimea de tăiere este de cel mult 15 mm.

► **Fig.28:** (1) 30 mm (2) 15 mm

## Utilizarea accesoriului pentru descărcare

Pentru DLM530/DLM532

Accesoriul pentru descărcare vă permite să descărcați iarbă tăiată pe sol din partea dreaptă a utilajului fără a strânge iarbă tăiată în coșul pentru iarbă. Atunci când acționați mașina cu accesoriul pentru descărcare, aveți grijă să montați accesoriul de mulcire și să demontați coșul pentru iarbă.

## Funcție electronică

Mașina este echipată cu funcții electronice pentru a utiliza ușor.

- Controlul constant al vitezei de rotație a pânzei  
Control electronic al vitezei pentru obținerea unei viteze constante. Permite obținerea unei finisări de calitate, deoarece viteza de rotație este menținută constantă chiar și în condiții de sarcină.
- Pornire lină la acționare  
Funcția de pornire lină minimizează șocul de pornire și permite o pornire lină a mașinii.
- Frână electrică  
Această mașină este echipată cu frână electrică. Dacă în repetate rânduri mașina nu oprește rapid pânzele după eliberarea pârghiei de comutare, solicitați repararea acesteia de către cel mai apropiat Centru de service autorizat Makita.

## OPERAREA

### Tunderea ierbii

**AVERTIZARE:** Înainte de a tunde iarbă, degajați zona de utilizare de bețe și pietre. De asemenea, îndepărtați în prealabil eventualele buruieni din zona de utilizare.

**AVERTIZARE:** Purtați întotdeauna ochelari de protecție speciali sau ochelari de protecție cu apărători laterale atunci când operați mașina.

**ATENȚIE:** Dacă iarbă tăiată sau un obiect străin blochează mașina de tuns la interior, asigurați-vă că scoateți cheia de blocare și cartușul acumulatorului și că purtați mănuși înainte de a îndepărta iarbă sau obiectul străin.

**NOTĂ:** Folosiți această mașină numai pentru tunderea gazonului. Nu tundeți buruieni cu această mașină.

► Fig.29

Țineți ferm mânerul cu ambele mâini în timpul lucrului. Viteza de lucru indicată orientativ este de circa 7 până la 14 metri la 10 secunde.

► Fig.30

Linii centrale ale roților din față arată care este lățimea de tundere. Utilizând liniile centrale ca reper, tundeți iarba în benzi. Suprapuneți benzile cu o jumătate până la o treime din banda anterioară pentru a tunde uniform gazonul.

► Fig.31: 1. Lățime de tundere 2. Zonă de suprapunere 3. Linie centrală

Schimbați direcția de tundere de fiecare dată pentru ca modelul ierbii să nu se formeze într-o singură direcție.

► Fig.32

Verificați periodic cantitatea de iarbă din coș. Goliți coșul înainte de a se umple. Înaintea fiecărei verificări periodice, aveți grijă să opriți mașina de tuns iarba și să scoateți cheia de blocare și cartușul de acumulator.

**NOTĂ:** Folosirea mașinii de tuns iarba cu un coș pentru iarbă plin nu permite rotirea lină a pânzei și plasează o sarcină suplimentară asupra motorului, ceea ce poate cauza avarierea acestuia.

## Tunderea unui gazon cu iarbă înaltă

Nu încercați să tăiați iarba înaltă dintr-o singură încercare. În schimb, tundeți-o în etape. Lăsați o zi sau două între tunderi ca firele de iarbă să ajungă la aceeași înălțime.

► Fig.33

**NOTĂ:** Tunderea ierbii înalte la o înălțime mică dintr-o singură încercare poate cauza ofilirea ierbii. De asemenea, iarba tăiată se poate bloca în mașină.

## Golirea coșului pentru iarbă

**AVERTIZARE:** Pentru a reduce riscul de accident, verificați regulat coșul pentru iarbă pentru a detecta eventuale defecțiuni sau rezistență slăbită. Înlocuiți coșul pentru iarbă dacă este necesar.

1. Eliberați pârghia de comutare și pârghia de acționare (pentru DLM462/DLM532) sau eliberați pârghia de comutare (pentru DLM530).

2. Scoateți cheia de blocare.

3. Deschideți capacul posterior și scoateți coșul pentru iarbă ținându-l de mâner.

► Fig.34: 1. Capac posterior 2. Mâner 3. Coș pentru iarbă

4. Goliți coșul pentru iarbă.

## ÎNȚEȚINERE

**AVERTIZARE:** Aveți întotdeauna grijă să scoateți cheia de blocare și cartușul acumulatorului din mașină înainte de depozitarea ori transportarea acesteia, sau înainte de a încerca să efectuați o inspecție sau o activitate de întreținere.

**AVERTIZARE:** Scoateți întotdeauna cheia de blocare atunci când nu folosiți mașina. Păstrați cheia de blocare într-un loc sigur și nu la îndemâna copiilor.

**AVERTIZARE:** Purtați mănuși atunci când efectuați o inspecție sau activitate de întreținere.

**AVERTIZARE:** Purtați întotdeauna ochelari de protecție speciali sau ochelari de protecție cu apărători laterale atunci când efectuați o inspecție sau o activitate de întreținere.

**NOTĂ:** Nu utilizați niciodată gazolină, benzină, diluant, alcool sau alte substanțe asemănătoare. În caz contrar, pot rezulta decolorări, deformări sau fisuri.

Pentru a menține SIGURANȚA și FIABILITATEA produsului, reparațiile și orice alte lucrări de întreținere sau reglare trebuie executate de centre de service Makita autorizate sau proprii, folosind întotdeauna piese de schimb Makita.

## Întreținere

1. Scoateți cheia de blocare și cartușele acumulatorului și apoi închideți capacul acumulatorului.

2. Așezați mașina de tuns iarba pe o parte, astfel încât maneta de reglare a înălțimii de tundere a ierbii să fie plasată pe partea de sus. Curățați bucățile de iarbă tăiată care s-au acumulat pe partea de dedesubt a punții mașinii.

3. Turnați apă înspre partea de jos a mașinii, de care este atașată pânza.

**NOTĂ:** Nu spălați mașina cu jet de apă cu presiune ridicată.

4. Verificați dacă toate piulițele, bolțurile, șuruburile etc. sunt bine strânse.

5. Inspecați piesele mobile pentru a detecta eventuale deteriorări, rupturi și semne de uzură. Piesele deteriorate sau lipsă trebuie să fie reparate sau înlocuite.

6. Depozitați mașina într-un loc sigur, departe de accesul copiilor.

**Pentru DLM462/DLM532**

**NOTĂ:** Nu turnați apă în zonă, după cum se arată în figură. Contactul blocului motor cu apa poate cauza o defecțiune a mașinii.

► Fig.35: 1. Zonă în care apa nu trebuie să pătrundă

## Transportarea mașinii de tuns iarbă

Când transportați mașina de tuns iarbă, două persoane trebuie să țină mânerul frontal și cel posterior, după cum se arată în figură.

► **Fig.36:** 1. Mâner frontal 2. Mâner posterior

## Depozitare

Depozitați mașina în interior, într-un loc uscat, răcoros și încuiat. Nu depozitați mașina de tuns iarbă și încărcătorul în locuri în care temperatura poate atinge sau depăși 40 °C.

## Demontarea sau montarea pânzei

**⚠️ AVERTIZARE:** Lama își continuă mișcarea inertială timp de câteva secunde după eliberarea comutatorului. Nu efectuați nicio operațiune până când lama nu se oprește complet.

**⚠️ AVERTIZARE:** Scoateți întotdeauna cheia de blocare și cartușul de acumulator atunci când montați sau demontați lama. Dacă nu scoateți cheia de blocare și cartușul de acumulator, puteți suferi leziuni corporale grave.

**⚠️ AVERTIZARE:** Purtați întotdeauna mănuși atunci când manipulați lama.

## Scoaterea pânzei mașinii de tuns iarbă

### Pentru modelele echipate cu pânza mașinii de tuns iarbă dreaptă

1. Așezați mașina de tuns iarbă pe o parte, astfel încât maneta de reglare a înălțimii de tundere a ierbii să fie plasată pe partea de sus.
2. Pentru a bloca pânza, introduceți un știft într-un orificiu de pe corpul mașinii de tuns iarbă.
3. Slăbiți bolțul în sens antiorar cu o cheie inelară de 17.

► **Fig.37:** 1. Pânza mașinii de tuns iarbă 2. Știft 3. Cheie inelară

4. Scoateți mai întâi șurubul, apoi pânza mașinii de tuns iarbă.

► **Fig.38:** 1. Suportul pânzei 2. Pânza mașinii de tuns iarbă 3. Șurub 4. Proeminență

**NOTĂ:** Când instalați pânza mașinii de tuns iarbă, asigurați-vă că proeminențele de pe suportul pânzei intră în orificiile de pe pânză.

### Pentru modelele echipate cu pânză cu balans

1. Așezați mașina de tuns iarbă pe o parte, astfel încât maneta de reglare a înălțimii de tundere a ierbii să fie plasată pe partea de sus.
2. Pentru a bloca placa de bază, introduceți știftul într-un orificiu de pe corpul mașinii de tuns iarbă printr-un orificiu de pe placa de bază.
3. Slăbiți bolțul în sens antiorar cu o cheie inelară de 17.

► **Fig.39:** 1. Știft 2. Placă de bază 3. Cheie inelară

4. Scoateți mai întâi șurubul, apoi placa de bază.

► **Fig.40:** 1. Suportul pânzei 2. Placă de bază 3. Șurub 4. Proeminență

**NOTĂ:** Când montați pânzele mașinii de tuns iarbă, asigurați-vă că proeminențele de pe suportul pânzei intră în orificiile de pe placa de bază.

5. Pentru a scoate fiecare pânză a mașinii de tuns iarbă, întoarceți șurubul în sens antiorar cu ajutorul cheii inelare de 17, ținând placa de bază.

► **Fig.41:** 1. Placă de bază 2. Pânză mașină de tuns iarbă 3. Cheie inelară

6. Scoateți pe rând piulița, șaiba, șaiba elastică, pânza mașinii de tuns iarbă și bolțul.

► **Fig.42:** 1. Orificiu pentru bolț 2. Bolț 3. Pânza mașinii de tuns iarbă 4. Șaibă elastică 5. Șaibă 6. Piuliță

**NOTĂ:** Când strângeți piulițele pentru a instala fiecare pânză a mașinii de tuns iarbă, aplicați un cuplu de strângere de 30 N·m.

**NOTĂ:** Atunci când montați fiecare pânză a mașinii de tuns iarbă, asigurați-vă că fixați șaiba elastică în direcția indicată în figură.

**NOTĂ:** Atunci când montați fiecare pânză a mașinii de tuns iarbă, asigurați-vă că introduceți bolțurile în orificiile pentru bolțuri indicate în figură.

## Montarea pânzei mașinii de tuns iarbă

**⚠️ AVERTIZARE:** Montați pânza mașinii de tuns iarbă cu grijă. Are o față și un dos.

**⚠️ AVERTIZARE:** Strângeți cu putere bolțul în sens orar pentru a fixa lama.

**⚠️ AVERTIZARE:** Verificați dacă pânza mașinii de tuns iarbă și toate componentele de fixare sunt montate corect și strânse bine.

**⚠️ AVERTIZARE:** Atunci când înlocuiți lamele, respectați instrucțiunile din acest manual.

**NOTĂ:** După montarea pânzelor mașinii de tuns iarbă, scoateți știftul din corpul mașinii de tuns iarbă.

Pentru a monta pânzele mașinii de tuns iarbă, executați în ordine inversă operațiile de demontare.

# DEPANARE

Înainte de a solicita reparații, efectuați mai întâi propria inspecție. Dacă detectați o problemă care nu este explicată în manual, nu încercați să dezasamblați mașina. În schimb, adresați-vă Centrelor de service autorizate Makita, utilizând întotdeauna piese de schimb Makita pentru reparații.

Stare de anormalitate	Cauză probabilă (defecțiune)	Remediu
Mașina de tuns iarba nu pornește.	Două cartușe de acumulator nu sunt montate.	Montați două cartușe de acumulator încărcate.
	Problema cu acumulatorul (tensiune scăzută)	Reîncărcați cartușul acumulatorului. Dacă reîncărcarea nu este eficientă, înlocuiți cartușul acumulatorului.
	Cheia de blocare nu este introdusă.	Introduceți cheia de blocare.
Motorul se oprește din funcționare după puțin timp.	Comutatorul de selecție a acumulatorului nu este în poziția corectă.	Selecționați portul pentru acumulator pe care sunt instalate cartușele de acumulator cu ajutorul comutatorului de selecție a acumulatorului.
	Nivelul de încărcare al acumulatorului este redus.	Reîncărcați cartușul acumulatorului. Dacă reîncărcarea nu este eficientă, înlocuiți cartușul acumulatorului.
	Înălțimea de tăiere setată este prea joasă.	Creșteți înălțimea de tăiere.
Motorul nu atinge turația maximă (RPM).	Mașina s-a înfundat cu iarba tunsă.	Scoateți iarba tunsă blocată în mașina de tuns iarba.
	Cartușul acumulatorului este instalat necorespunzător.	Montați cartușul de acumulator în modul descris în acest manual.
	Puterea acumulatorului se reduce.	Reîncărcați cartușul acumulatorului. Dacă reîncărcarea nu este eficientă, înlocuiți cartușul acumulatorului.
Pânza mașinii de tuns iarba nu se rotește: ⇒ opriți imediat mașina de tuns iarba!	Sistemul de acționare nu funcționează corect.	Solicitați centrului de service autorizat local efectuarea reparațiilor.
	Un obiect străin, precum o creangă, s-a înțepenit în apropiere de lamă.	Îndepărtați obiectul străin.
Vibrații anormale: ⇒ opriți imediat mașina de tuns iarba!	Sistemul de acționare nu funcționează corect.	Solicitați centrului de service autorizat local efectuarea reparațiilor.
	Lama este dezechilibrată sau uzată excesiv sau neuniform.	Înlocuiți lama.

## ACCESORII OPȚIONALE

**ATENȚIE:** Folosiți accesoriile sau piesele auxiliare recomandate pentru mașina dumneavoastră Makita în acest manual. Utilizarea altor accesorii sau piese auxiliare poate prezenta risc de accidentări. Utilizați accesoriile sau piesele auxiliare numai în scopul destinat.

Dacă aveți nevoie de asistență sau de mai multe detalii referitoare la aceste accesorii, adresați-vă centrului local de service Makita.

- Pânza mașinii de tuns iarba
- Acumulator și încărcător original Makita

**NOTĂ:** Unele articole din listă pot fi incluse ca accesorii standard în ambalajul produsului. Acestea pot diferi în funcție de țară.

## ТЕХНІЧНІ ХАРАКТЕРИСТИКИ

Модель:	DLM462	DLM530	DLM532	
Ширина косіння (діаметр ріжучого полотна)	460 мм	534 мм		
Швидкість у режимі холостого ходу	2 500 хв <sup>-1</sup>	2 300 хв <sup>-1</sup>		
Максимальна робоча частота	3 300 хв <sup>-1</sup>	2 800 хв <sup>-1</sup>		
Змінне ріжуче полотно газонокосарки, номер деталі	Пряме ріжуче полотно газонокосарки	191D51-9	191D52-7	
	Відкидні ріжучі полотна газонокосарки *1	191D49-6	191D50-1	
	Відкидні ріжучі полотна газонокосарки *2	191D47-0	191D48-8	
Розміри (Д × Ш × В)	Д: от 1 610 мм до 1 690 мм Ш: 535 мм В: от 980 мм до 1 095 мм	Д: від 1 630 мм до 1 715 мм Ш: 590 мм В: від 990 мм до 1 095 мм		
Швидкість руху	2,5–5,0 км/год	–	2,5–5,0 км/год	
Номінальна напруга	36 В пост. струму			
Маса нетто	Коли встановлено пряме ріжуче полотно газонокосарки	35,3 – 39,0 кг	35,5 – 39,3 кг	39,0–42,8 кг
	Коли встановлено відкидні ріжучі полотна газонокосарки	36,0–39,7 кг	36,2–40,0 кг	39,7–43,5 кг
Ступінь захисту	IPX4			

\*1. Опорна плита й окремі ріжучі полотна газонокосарки. \*2. Тільки окремі ріжучі полотна газонокосарки.

- Оскільки наша програма наукових досліджень і розробок триває безперервно, наведені тут технічні характеристики можуть бути змінені без попередження.
- У різних країнах технічні характеристики можуть бути різними.
- Вага може відрізнятись залежно від допоміжного обладнання, наприклад касети з акумулятором. Найлегші та найважчі комплекти, відповідно до стандарту ЕРТА (Європейська асоціація виробників електронструменту) від січня 01/2014 року, представлено в таблиці.

### Застосовна касета з акумулятором

BL1815N / BL1820 / BL1820B / BL1830 / BL1830B / BL1840 / BL1840B / BL1850 / BL1850B / BL1860B


- Деякі касети з акумулятором, які вказано вище, можуть бути недоступними залежно від вашого регіону або місця перебування.


**⚠ ПОПЕРЕДЖЕННЯ:** Використовуйте лише касети з акумулятором, перелічені вище. Використання будь-яких інших касет з акумулятором може призвести до травмування й/або пожежі.


**⚠ ПОПЕРЕДЖЕННЯ:** Не використовуйте із цією машиною дротове джерело електроживлення, наприклад адаптер акумулятора або портативний блок живлення. Кабель цього джерела електроживлення може перешкодити роботі й стати причиною травми.


### Символи

Далі наведено символи, які можуть застосовуватися для позначення обладнання. Перед користуванням переконайтеся, що ви розумієте їхнє значення.

 Будьте особливо уважні та обережні!

 Читайте посібник з експлуатації.

 Небезпечно! Пам'ятайте, що предмети можуть відскочити.

 Відстань між інструментом і сторонніми особами повинна становити не менше 15 м.



У жодному разі не наближайте руки та ноги до ріжучого полотна під газонокосаркою. Полотно продовжують обертатися після вимкнення двигуна.



Вийміть блокувальний ключ, перш ніж оглядати, налаштувати, чистити і проводити технічне обслуговування інструмента, а також у тому випадку, якщо потрібно залишити газонокосарку без нагляду на деякий час або поставити її на зберігання.



Електрична небезпека. Попадання води на машину може призвести до ураження електричним струмом.



Не допускайте потрапляння води на машину.





Тільки для країн ЄС  
Не викидайте електроприлади або акумуляторні батареї разом із побутовим сміттям!  
Згідно з Європейськими директивами про утилізацію електричного та електронного обладнання та про утилізацію батарей і акумуляторів, а також батарей та акумуляторів, термін служби яких закінчився, та їх використанням із дотриманням національних законів, електричне обладнання, батареї та акумулятори, термін служби яких закінчився, потрібно збирати окремо та відправляти на екологічно чисті підприємства з їхньої переробки.

## Призначення

Машина призначена для косіння газонів.

## Шум

Рівень шуму за шкалою А в типовому виконанні, визначений відповідно до стандарту EN60335-2-77:

**ПРИМІТКА:** значення було виміряно на газонокосарці, оснащеної прямим ріжучим полотном.

### Модель DLM462

Рівень звукового тиску ( $L_{pA}$ ): 82,7 дБ (А)  
Рівень звукової потужності ( $L_{WA}$ ): 90,9 дБ (А)  
Похибка (К): 3 дБ (А)

### Модель DLM530

Рівень звукового тиску ( $L_{pA}$ ): 78,1 дБ (А)  
Рівень звукової потужності ( $L_{WA}$ ): 90,4 дБ (А)  
Похибка (К): 3 дБ (А)

### Модель DLM532

Рівень звукового тиску ( $L_{pA}$ ): 78,1 дБ (А)  
Рівень звукової потужності ( $L_{WA}$ ): 90,4 дБ (А)  
Похибка (К): 3 дБ (А)

Рівень шуму під час роботи може перевищувати 80 дБ (А).

**ПРИМІТКА:** Заявлене значення шуму було виміряно відповідно до стандартних методів тестування й може використовуватися для порівняння одного інструмента з іншим.

**ПРИМІТКА:** Заявлене значення шуму може також використовуватися для попереднього оцінювання впливу.

**ПОПЕРЕДЖЕННЯ:** Користуйтеся засобами захисту органів слуху.

**ПОПЕРЕДЖЕННЯ:** Залежно від умов використання рівень шуму під час фактичної роботи електроінструмента може відрізнятися від заявленого значення вібрації; особливо сильно на це впливає тип деталі, що оброблюється.

**ПОПЕРЕДЖЕННЯ:** Забезпечте належні запобіжні заходи для захисту оператора, що відповідатимуть умовам використання інструмента (слід брати до уваги всі складові робочого циклу, як-от час, коли інструмент вимкнено та коли він починає працювати на холостому ході під час запуску).

## Вібрація

Загальна величина вібрації (векторна сума трьох напрямків) визначена згідно з EN60335-2-77:

**ПРИМІТКА:** значення було виміряно на газонокосарці, оснащеної прямим ріжучим полотном.

### Модель DLM462

Вібрація ( $a_h$ ): 2,5 м/с<sup>2</sup> або менше  
Похибка (К): 1,5 м/с<sup>2</sup>

### Модель DLM530

Вібрація ( $a_h$ ): 2,5 м/с<sup>2</sup> або менше  
Похибка (К): 1,5 м/с<sup>2</sup>

### Модель DLM532

Вібрація ( $a_h$ ): 2,5 м/с<sup>2</sup> або менше  
Похибка (К): 1,5 м/с<sup>2</sup>

**ПРИМІТКА:** Заявлене загальне значення вібрації було виміряно відповідно до стандартних методів тестування й може використовуватися для порівняння одного інструмента з іншим.

**ПРИМІТКА:** Заявлене загальне значення вібрації може також використовуватися для попереднього оцінювання впливу.

**ПОПЕРЕДЖЕННЯ:** Залежно від умов використання вібрація під час фактичної роботи електроінструмента може відрізнятися від заявленого значення вібрації; особливо сильно на це впливає тип деталі, що оброблюється.

**ПОПЕРЕДЖЕННЯ:** Забезпечте належні запобіжні заходи для захисту оператора, що відповідатимуть умовам використання інструмента (слід брати до уваги всі складові робочого циклу, як-от час, коли інструмент вимкнено та коли він починає працювати на холостому ході під час запуску).

## Декларація про відповідність стандартам ЄС

### Тільки для країн Європи

Декларацію про відповідність стандартам ЄС наведено в Додатку А до цієї інструкції з експлуатації.

## ПОПЕРЕДЖЕННЯ ПРО ДОТРИМАННЯ ТЕХНІКИ БЕЗПЕКИ

## ВАЖЛИВІ ІНСТРУКЦІ З ТЕХНІКИ БЕЗПЕКИ

**ПОПЕРЕДЖЕННЯ:** Прочитайте усі застереження стосовно техніки безпеки та всі інструкції. Недотримання попереджень та інструкцій може призвести до ураження електричним струмом, до виникнення пожежі та/або до отримання серйозних травм.

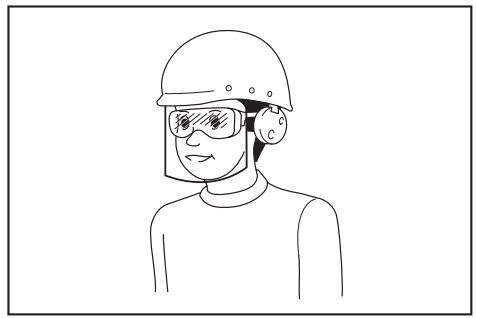
# Збережіть усі інструкції з техніки безпеки та експлуатації на майбутнє.

## Інструктаж

1. Уважно прочитайте інструкції з експлуатації. Ознайомтеся з усіма засобами керування, а також із правилами належної експлуатації газонокосарки.
2. Не дозволяйте користуватися газонокосаркою особам, не ознайомленим із цими інструкціями, та дітям. Місцеві норми можуть накладати обмеження на вік оператора.
3. Заборонено працювати з газонокосаркою, коли інші люди, особливо діти, або домашні тварини знаходяться поблизу.
4. Пам'ятайте, що оператор або користувач несе відповідальність за нещасні випадки та створення ситуацій, небезпечних для людей та їхнього майна.
5. Не допускайте, щоб діти гралися з газонокосаркою.
6. Фізичний стан. У жодному разі не використовуйте газонокосарку, перебуваючи під впливом наркотичних речовин, алкоголю або будь-яких медичних препаратів.

## Підготовка

1. Перед використанням газонокосарки обов'язково взувайте міцне взуття та вдягайте довгі штани. Заборонено працювати з газонокосаркою босоніж або у відкритих сандаліях. Не рекомендовано вдягати прикраси, занадто вільний одяг або одяг, який має зависаючі мотузки або шнурки. Вони можуть потрапити у частини інструмента, що рухаються.
2. Перед початком експлуатації оглядайте газонокосарку щодо пошкоджених, відсутніх або неправильно встановлених захисних кожухів чи щитків.
3. Перед початком роботи переконайтеся у відсутності сторонніх осіб на робочій ділянці. Зупиніть газонокосарку, якщо хтось наблизиться до місця роботи.
4. Не вставляйте блокувальний ключ у газонокосарку, якщо вона не готова до використання.
5. Завжди користуйтеся захисними окулярами, щоб захистити очі від травмування під час роботи з електроінструментами. Захисні окуляри мають відповідати стандарту ANSI Z87.1 у США, EN 166 у Європі або AS/NZS 1336 в Австралії / Новій Зеландії. В Австралії / Новій Зеландії законодавство вимагає користуватися також щитком для захисту обличчя.



- Роботодавець відповідає за те, щоб оператори інструментів та інші особи, які знаходяться безпосередньо в робочій зоні, примусово користувалися відповідним захисним устаткуванням.
6. Перед початком роботи ретельно перевірте ріжуче полотно або болти, що використовуються для його фіксації, на наявність тріщин або пошкоджень. У разі виявлення тріщин або пошкоджень негайно замініть ріжуче полотно або болти.
  7. Щоб уникнути пошкодження газонокосарки або травмування, перед початком роботи приберіть із робочої зони сторонні предмети, як-от каміння, дроти, пляшки, кістки або великі гілки.
  8. Якщо ріжуче полотно газонокосарки натрапить на будь-який сторонній предмет, це може призвести до травмування. Щоразу перед використанням газонокосарки уважно оглядайте газон та прибирайте з нього всі сторонні предмети.
  9. Огляньте газон на наявність ям, колій, вибоїв, каменів або інших прихованих об'єктів. Через нерівності поверхні ви можете підсковзнутися й упасти. Висока трава може приховувати перешкоди.
  10. Заборонено вставляти або виймати блокувальний ключ під дощем.
  11. Використовуйте засоби індивідуального захисту. Завжди надягайте засоби захисту очей. Такі засоби захисту, як респіратор, неслизьке робоче взуття, захисний шолом та засоби захисту органів слуху, використовувати у відповідних умовах, знижують ризик отримання травм.

## Робота

1. Використовуючи виріб, не тягніться занадто далеко. Завжди зберігайте рівновагу. Працюючи на схилах, обов'язково зайте стійке положення. Пересувайтеся повільно, не переходьте на біг.
2. Зупиніть газонокосарку, витягніть блокувальний ключ і переконайтеся в тому, що всі рухомі частини повністю зупинилися:
  - коли залишаєте газонокосарку без нагляду;
  - перед видаленням засмічення або очищенням трубки;
  - перед перевіркою та очищенням інструмента або проведенням робіт на газонокосарці;

- якщо інструмент натрапив на сторонній предмет. Огляньте газонокосарку на відсутність пошкоджень і виконайте необхідний ремонт:
  - у разі аномальної вібрації в газонокосарці.
3. Заборонено використовувати газонокосарку із пошкодженими захисними кожухами чи щитками або без встановлених захисних пристроїв, як-от відбивачів та/або корзини для трави.
  4. Не використовуйте газонокосарку за поганих погодних умов, особливо коли є ризик виникнення грозового розряду.
  5. Перед використанням газонокосарки вдягайте засіб для захисту очей і міцні черевики.
  6. Користуйтеся газонокосаркою тільки у світлий час доби або за достатнього штучного освітлення.
  7. Обережно увімкніть газонокосарку згідно з наведеними інструкціями, тримаючи ноги подалі від ріжучих полотен.
  8. Будьте обережні, щоб не травмувати ноги або руки ріжучим полотном газонокосарки.
  9. Завжди стежте за тим, щоб вентиляційні отвори не забивалися сміттям.
  10. На схилах пересувайте газонокосарку поперек них, а не вгору та вниз. Будьте надзвичайно уважні, коли змінюєте напрямку руху газонокосарки на схилах. Не використовуйте газонокосарку на дуже крутих схилах.
  11. Будьте надзвичайно уважні, повертаючи або пересуваючи газонокосарку до себе.
  12. Зупиніть ріжучі полотна, якщо потрібно нахилити газонокосарку та перенести через ділянку, де не росте трава, або з однієї робочої ділянки на іншу.
  13. Під час запуску двигуна не нахилийте газонокосарку; виняток становлять ті випадки, коли для запуску двигуна газонокосарку необхідно нахилити. Проте навіть у цьому разі не нахилийте її більше, ніж це необхідно, і підіймайте її частину, розташовану з протилежного від вас боку. Обидві руки мають перебувати в робочому положенні, коли ви опускаєте газонокосарку на землю.
  14. Не наближайте руки та ноги до частин, що обертаються. Тримайтеся на відстані від випускного отвору.
  15. Заборонено транспортувати газонокосарку в увімкненому стані.
  16. Не використовуйте газонокосарку на вологій траві.
  17. Обов'язково міцно тримайте ручку.
  18. Піднімаючи газонокосарку або тримаючи її, не торкайтеся відкритого ріжучого полотна або ріжучої кромки.
  19. Тримайте ноги та руки подалі від ріжучого полотна, що обертається. Обережно! Полотно продовжують рух за інерцією після вимкнення газонокосарки.
  20. негайно припиніть роботу, якщо помітите будь-які відхилення. Вимкніть газонокосарку й вийміть блокувальний ключ. Після цього огляньте газонокосарку.
  21. Заборонено регулювати висоту косіння під час роботи двигуна, якщо газонокосарка підтримує таку функцію.
  22. Відпустіть пусковий важіль і дочекайтеся зупинки ріжучого полотна, перш ніж перетинати дорогу, тротуар, проїзну частину або ділянку, укриту гравієм. Крім того, обов'язково вийміть блокувальний ключ, якщо потрібно залишити газонокосарку без нагляду, нахилитися, щоб підняти або прибрати сторонні предмети з дороги, а також за будь-яких інших обставин, що можуть відволікти вас від роботи.
  23. Якщо газонокосарка натрапить на сторонній предмет, виконайте такі дії:
    - зупиніть газонокосарку, відпустіть пусковий важіль та дочекайтеся повної зупинки ріжучого полотна;
    - вийміть блокувальний ключ і касету з акумулятором.
    - ретельно огляньте газонокосарку на наявність пошкоджень;
    - у разі виявлення будь-яких пошкоджень ріжучого полотна замініть його. Усуньте всі пошкодження, перш ніж продовжувати використання газонокосарки.
  24. Не запускайте газонокосарку, стоячи перед випускним отвором.
  25. Якщо спостерігається аномальна вібрація газонокосарки (потрібна негайна перевірка):
    - огляньте інструмент на наявність пошкоджень;
    - замініть або відремонтуйте пошкоджені частини;
    - перевірте на наявність незакріплених деталей та затягніть їх.
  26. Не спрямовуйте потік зрізаного матеріалу на людей. Не спрямовуйте потік зрізаного матеріалу на стіну або будь-який предмет. Зрізаний матеріал може відскочити в бік оператора. Зупиніть лезо перед транспортуванням по поверхні з гравію.
  27. Не тягніть газонокосарку назад без необхідності. За необхідності відвести косарку від паркана або іншої аналогічної перешкоди до початку й під час заднього ходу дивіться назад собі під ноги.
  28. Вимкніть двигун і зачекайте, поки лезо повністю не зупиниться, перш ніж зняти травозбірник. Пам'ятайте, що леза продовжують обертатися після вимкнення.
  29. У разі використання інструмента на вологих або слизьких ділянках, зокрема на схилах, будьте уважні, щоб не втратити рівновагу.
  30. Уникайте роботи за складних умов, за яких очікується підвищена перевтома користувача.
  31. Не використовуйте пристрій за несприятливих погодних умов, коли видимість обмежена. В іншому разі ви можете впасти або припуститися помилки через погану видимість.
  32. Заборонено занурювати інструмент у калюжі.
  33. Якщо через дощ до всмоктувального (вентиляційного) отвору пристало вологе листя або бруд, приберіть їх.

34. Заборонено використовувати інструмент на снігу.
35. Якщо трава мокра, вона може забиватися всередині інструмента. Регулярно перевіряйте стан інструмента та в міру необхідності видаляйте з нього траву.
36. Під час роботи з машиною стежте за тим, щоб не допустити контакту з трубопроводом або проводами.
37. Не використовуйте із цією машиною д्रो-тове джерело електроживлення, наприклад адаптер акумулятора або портативний блок живлення. Кабель цього джерела електроживлення може перешкодити роботі й стати причиною травми.
15. Зберігайте інструмент у місці, захищеному від прямих сонячних променів і дощу, де він не піддаватиметься впливу високої температури або вологості.
16. Виконуйте перевірку або технічне обслуговування в місці, захищеному від дощу.
17. Після використання інструмента очистьте його від налиплиго бруду й повністю висушіть, перш ніж помістити на зберігання. Залежно від пори року й/або регіону інструмент може зламатися через замерзання.

#### Використання та обслуговування акумуляторних інструментів

##### Технічне обслуговування й зберігання

1. Щоб гарантувати безпечну роботу, замінійте зношені або пошкоджені деталі. Використовуйте тільки оригінальні запасні частини та приладдя.
2. Оглядайте газонокосарку й виконуйте її технічне обслуговування регулярно.
3. Якщо газонокосарка не використовується, зберігайте її в недоступному для дітей місці.
4. Щоб гарантувати безпечну роботу інструмента, перевіряйте надійність затягування всіх гайок, болтів та гвинтів.
5. Регулярно через невеликі проміжки часу перевіряйте корзину для трави на наявність ознак зношення або пошкодження. Зберігати інструмент необхідно з порожньою корзиною для трави. Щоб гарантувати безпечне використання інструмента, замініть зношену корзину для трави новою оригінальною запасною корзиною.
6. Використовуйте тільки оригінальне ріжуче полотно, зазначене в цьому посібнику.
7. Під час налаштування газонокосарки слідкуйте за тим, щоб пальці не потрапили між ріжучими полотнами, що обертаються, та нерухомими частинами газонокосарки.
8. Регулярно через невеликі проміжки часу перевіряйте, чи надійно затягнуто болт кріплення ріжучого полотна.
9. Перед тим як ставити газонокосарку на зберігання, зачекайте, поки вона охолоне.
10. Під час обслуговування ріжучих полотен пам'ятайте про те, що вони все ще можуть рухатися, навіть якщо джерело живлення відключено.
11. Не знімайте запобіжні механізми й не вносьте зміни в їхню конструкцію. Регулярно перевіряйте правильність їхньої роботи. Не робіть ніяких дій, які можуть вплинути на функціонування запобіжного механізму або можуть знизити ступінь захисту, який забезпечується запобіжним механізмом.
12. Заборонено залишати інструмент під дощем без нагляду.
13. Не мийте інструмент струменем під тиском.
14. Перед миттям інструмента обов'язково вийміть акумулятор і блокувальний ключ та закрийте кришку відсіку акумулятора. Лийте воду на нижню частину інструмента, у місце кріплення ріжучого полотна.
1. Перезаряджайте акумулятор лише за допомогою зарядного пристрою, вказаного виробником. Зарядний пристрій, який підходить для одного типу акумуляторів, може призвести до пожежі при використанні з акумулятором іншого типу.
2. Використовуйте електроінструменти лише з акумуляторами того типу, який призначений саме для цих електроінструментів. Використання акумуляторів інших типів може призвести до отримання травм і виникнення пожежі.
3. Коли акумулятор не використовується, тримайте його подалі від таких металевих предметів, як скріпки, монети, ключі, цвяхи, шурупи тощо, які можуть замкрити клемми акумулятора. Замикання клем акумулятора може призвести до отримання опіків або до пожежі.
4. За неналежних умов зберігання з акумулятора може витікати рідина, контакту з якою слід уникати. У разі випадкового потрапляння рідини на тіло відповідну частину тіла слід промити водою. Якщо рідина потрапила в очі, їх слід промити водою, після чого необхідно звернутися до лікаря. Рідина, що витікає з акумулятора, може спричинити подразнення або опіки.
5. Не користуйтеся акумулятором або інструментом, які було змінено чи пошкоджено. Експлуатація акумуляторів, що їх було пошкоджено або до конструкції яких було внесено зміни, може бути небезпечною й може спричинити пожежу, вибух або травму.
6. Не надавайте акумулятор або інструмент впливу вогню чи надмірної температури. Вплив вогню або температури вище 130° C може спричинити вибух.
7. Дотримуйтеся усіх вказівок із заряджання й не заряджайте акумулятор або інструмент за температури за межами зазначеного в інструкції діапазону. Неправильне заряджання або заряджання за межами вказаного температурного діапазону може призвести до пошкодження акумулятора й підвищити небезпеку займання.

#### Електробезпека й техніка безпеки під час роботи з акумулятором

1. Не спалюйте акумулятори. Акумулятор може вибухнути. Ознайомтеся з місцевими законами, які можуть містити спеціальні інструкції щодо утилізації відходів.

2. Не відкривайте й не деформуйте акумулятори. Електроліт є їдкою речовиною, тому в разі контакту зі шкірою або очима може завдати травму. У разі проковтування він може бути токсичним.
3. Не заряджайте акумулятор під дощем або в місцях із підвищеною вологістю.
4. Перезаряджайте акумулятор тільки в приміщенні.
5. Не торкайтеся зарядного пристрою, а також штекера й контактів зарядного пристрою вологими руками.
6. Заборонено замінити акумулятор під дощем.
7. Не допускайте потрапляння рідини на контакти акумулятора й не занурюйте акумулятор у рідину. Заборонено залишати акумулятор під дощем, а також заряджати, використовувати або зберігати його в місці з підвищеною вологістю. Якщо контакти намокнуть або якщо всередину акумулятора потрапить рідина, може статися коротке замикання, що може призвести до перегріву, займання або вибуху.
8. Після виймання акумулятора з інструмента або зарядного пристрою обов'язково встановіть кришку відсіку для акумулятора й зберігайте її в сухому місці.
9. Заборонено замінити акумулятор вологими руками.

#### Обслуговування

1. Ремонт електроінструмента повинен здійснювати лише кваліфікований майстер з використанням лише стандартних деталей. Це забезпечить підтримання електроінструмента в належному стані.
2. Забороняється ремонтувати пошкоджені акумулятори. Ремонт акумуляторів має виконувати тільки виробник або вповноважений постачальник послуг.

## ЗБЕРІГАЙТЕ ЦІ ВКАЗІВКИ.

**▲ПОПЕРЕДЖЕННЯ:** НІКОЛИ НЕ втрачайте пильності та не розслабляйтеся під час користування виробом (що можливо при частому використанні); обов'язково строго дотримуйтеся відповідних правил безпеки.

**НЕНАЛЕЖНЕ ВИКОРИСТАННЯ** або недотримання правил техніки безпеки, викладених у цій інструкції з експлуатації, може призвести до серйозних травм.

### Важливі інструкції з безпеки для касети з акумулятором

1. Перед тим як користуватися касетою з акумулятором, слід прочитати всі інструкції та застережні знаки щодо (1) зарядного пристрою акумулятора, (2) акумулятора та (3) виробів, що працюють від акумулятора.
2. Не розбирайте касету з акумулятором і не змінюйте її конструкцію. Це може призвести до пожежі, перегріву або вибуху.
3. Якщо період роботи дуже покоротшав, слід негайно припинити користування. Це може призвести до виникнення ризику перегріву, опіку та навіть вибуху.
4. У разі потрапляння електроліту в очі слід промити їх чистою водою та негайно звернутися до лікаря. Це може призвести до втрати зору.
5. Не закоротіть касету з акумулятором.
  - (1) Не слід торкатися клем будь-яким струмопровідним матеріалом.
  - (2) Не слід зберігати касету з акумулятором у ємності з іншими металевими предметами, такими як цвяхи, монети тощо.
  - (3) Не залишайте касету з акумулятором під дощем, запобігайте контакту з водою.

Коротке замикання може призвести до появи значного струму, перегріву, можливих опіків та навіть виходу з ладу.

6. Не слід зберігати й використовувати інструмент і касету з акумулятором у місцях, де температура може сягнути чи перевищити 50 °C (122 °F).
7. Не слід спалювати касету з акумулятором, навіть якщо вона була неодноразово пошкоджена або повністю спрацьована. Касета з акумулятором може вибухнути у вогні.
8. Заборонено забивати цвяхи в касету з акумулятором, різати, ламати, кидати, впускати касету з акумулятором або вдаряти її твердим предметом. Це може призвести до пожежі, перегріву або вибуху.
9. Не слід використовувати пошкоджений акумулятор.
10. Літій-іонні акумулятори, що містяться в інструменті, мають відповідати вимогам законів про небезпечні товари.

Під час транспортування за допомогою комерційних перевезень, наприклад із залученням третьої сторони та експедиторів, необхідно дотримуватись особливих вимог, вказаних на пакуванні й у маркуванні.

Під час підготування позиції до відправлення необхідно проконсультуватись зі спеціалістом з небезпечних матеріалів. Крім того, слід виконувати більш докладні національні настанови, якщо такі є.

Заклейте відкриті контакти стрічкою або заховайте їх і запакуйте акумулятор таким чином, щоб він не міг рухатися в пакуванні.

11. Для утилізації касети з акумулятором витягніть її з інструмента та утилізуйте безпечним способом. Дотримуйтеся норм місцевого законодавства щодо утилізації акумуляторів.
12. Використовуйте акумулятори лише з виробами, указаними компанією Makita. Установлення акумуляторів у невідповідні вироби може призвести до пожежі, надмірного нагрівання, вибуху чи витoku електроліту.
13. Якщо інструментом не користуватимуться протягом тривалого періоду часу, вийміть акумулятор з інструмента.

14. Під час і після використання касета з акумулятором може нагріватися, що може стати причиною опіків або низькотемпературних опіків. Будьте обережні під час поводження з гарячою касетою з акумулятором.
15. Не торкайтеся контактів інструмента відразу після використання, оскільки він може бути досить гарячим, щоб викликати опіки.
16. Не допускайте, щоб уламки, пил або земля прилипали до контактів, отворів і пазів на касеті з акумулятором. Це може призвести до зниження експлуатаційних параметрів, поломки інструмента або касети з акумулятором.
17. Якщо інструмент не розраховано на використання поблизу високовольтних ліній електропередач, не використовуйте касету з акумулятором поблизу високовольтних ліній електропередач. Це може призвести до несправності, поломки інструмента або касети з акумулятором.
18. Тримайте акумулятор у недоступному для дітей місці.

## ЗБЕРІГАЙТЕ ЦІ ВКАЗІВКИ.

**⚠ОБЕРЕЖНО:** Використовуйте тільки акумулятори Makita. Використання акумуляторів, інших ніж оригінальні акумулятори Makita, або акумуляторів, конструкція яких було змінено, може призвести до вибуху акумулятора і спричинити пожежу, травму або пошкодження. У зв'язку з цим також буде анульовано гарантію Makita на інструмент Makita і на зарядний пристрій.

## Поради з забезпечення максимального строку експлуатації акумулятора

1. Касету з акумулятором слід заряджати до того, як він розрядиться повністю. Завжди слід зупиняти роботу інструмента та зарядити акумулятор, якщо ви помітили зменшення потужності інструмента.
2. Ніколи не слід заряджати повторно повністю заряджену касету з акумулятором. Перезарядження скорочує строк експлуатації акумулятора.
3. Заряджайте касету з акумулятором при кімнатній температурі 10°C - 40°C (50°F - 104°F). Перед тим як заряджати касету з акумулятором, слід зачекати, доки вона охолоне.
4. Коли касета з акумулятором не використовується, виймайте її з інструмента або зарядного пристрою.
5. Якщо касета з акумулятором не використовувалася тривалий час (понад шість місяців), її слід зарядити.

## ЗБОРКА

**⚠ПОПЕРЕДЖЕННЯ:** Обов'язково виймайте блокувальний ключ та касету з акумулятором, перш ніж починати будь-які роботи з газонокосаркою. Якщо не вийняти блокувальний ключ та касету з акумулятором, випадкове увімкнення інструмента може призвести до важких травм.

**⚠ПОПЕРЕДЖЕННЯ:** Запускайте газонокосарку тільки в повністю зібраному стані. Використання машини в частково зібраному стані може спричинити тяжкі травми через випадковий пуск.

## Встановлення ручок

**УВАГА:** Встановлюючи ручки, розташуйте шнури таким чином, щоб вони не могли зачепитися за будь-які предмети, які знаходяться між ручками. Якщо шнур пошкоджено, пусковий важіль газонокосарки може не працювати.

1. Зіставте отвори в нижній ручці з отворами в корпусі газонокосарки й тимчасово затягніть 4 болта.  
► **Рис.1:** 1. Нижня ручка 2. Болт

2. Щільно затягніть 4 болта, які були тимчасово затягнуті на етапі 1, торцевим ключем на 13.

3. Зіставте отвір у нижній ручці з отвором у верхній ручці, вставте болт ізсередини та затягніть гайку ззовні торцевим ключем на 13. Виконайте ту саму процедуру з іншого боку.

► **Рис.2:** 1. Болт 2. Нижня ручка 3. Гайка 4. Отвір 5. Верхня ручка

**⚠ОБЕРЕЖНО:** Міцно тримайте верхню ручку, щоб вона не випала з руки. Недотримання цієї вимоги може призвести до травми у разі падіння ручки.

4. Прикріпіть тримачі до ручки.

Зіставте виступи на тримачі з отворами на ручці, щоб виступи ввійшли в отвори. Розмістіть троси, як показано на малюнку.

► **Рис.3:** 1. Трос 2. Тримач

## Демонтаж вставки для мульчування

1. Відчиніть задню кришку.

► **Рис.4:** 1. Задня кришка

2. Зніміть вставку для мульчування, утримуючи важіль.

► **Рис.5:** 1. Важіль 2. Вставка для мульчування

## Установлення та зняття кошика для трави

Для встановлення кошика для трави виконайте зазначені далі дії.

1. Відчиніть задню кришку.

► **Рис.6:** 1. Задня кришка

2. Утримуючи ручку кошика для трави, зачепіть кошик для трави за стрижень на корпусі газонокосарки, як показано на малюнку.

► **Рис.7:** 1. Стрижень 2. Ручка 3. Корзина для трави

Щоб зняти кошик для трави, відкрийте задню кришку й витягніть кошик для трави, утримуючи ручку.

## Установлення вставки для мульчування

1. Відчиніть задню кришку і зніміть корзину для трави.

► **Рис.8:** 1. Задня кришка 2. Корзина для трави

2. Зсуньте вниз фіксатор на вставці для мульчування та встановіть її, а потім відпустіть фіксатор для належної фіксації насадки.

► **Рис.9:** 1. Важіль 2. Вставка для мульчування

## Встановлення насадки для викидання трави

Дії в разі роботи з DLM530/DLM532

1. Відчиніть задню кришку і зніміть корзину для трави.

► **Рис.10:** 1. Задня кришка 2. Корзина для трави

2. Зсуньте вниз фіксатор на вставці для мульчування та встановіть її, а потім відпустіть фіксатор для належної фіксації насадки.

► **Рис.11:** 1. Важіль 2. Вставка для мульчування

3. Відчиніть кришку з правого боку машини і встановіть насадку для викидання трави.

Вставте гачки насадки для викидання трави під стрижнем правої бічної кришки.

► **Рис.12:** 1. Кришка з правого боку 2. Насадка для викидання трави

## ОПИС РОБОТИ

### Встановлення та зняття касети з акумулятором

**⚠ ОБЕРЕЖНО:** Обов'язково вимикайте обладнання перед установленням або зняттям касети з акумулятором.

**⚠ ОБЕРЕЖНО:** Під час установлення або зняття касети з акумулятором слід міцно тримати машину й касету з акумулятором. Якщо втримувати машину й касету з акумулятором недостатньо міцно, вони можуть вислизнути з рук, що може призвести до пошкодження машини й касети з акумулятором або спричинити травми.

**⚠ ОБЕРЕЖНО:** Перед використанням обов'язково заблокуйте кришку відсіку для акумулятора. Інакше бруд чи вода може спричинити пошкодження виробу або касети з акумулятором.

**⚠ ОБЕРЕЖНО:** Завжди вставляйте касету з акумулятором повністю, доки не зникне червоний індикатор. Якщо цього не зробити, касета може випадково випасти з машини й завдати травми вам або людям, що перебувають поруч.

**⚠ ОБЕРЕЖНО:** Не встановлюйте касету з акумулятором із зусиллям. Якщо касета не вставляється легко, це означає, що її вставляють неправильно.

**ПРИМІТКА:** Машини не працює, якщо вставлено тільки одну касету з акумулятором.

### Встановлення касети з акумулятором

1. Потягніть блокувальний важіль угору й відкрийте кришку відсіку для акумулятора.

► **Рис.13:** 1. Кришка відсіку для акумулятора  
2. Блокувальний важіль

2. Зіставте зячок на касеті з акумулятором із пазом на машині, а потім вставте касету до фіксації з клацанням.

► **Рис.14:** (1) Акумуляторний відсік 1  
(2) Акумуляторний відсік 2 (3) Касета з акумулятором

**ПРИМІТКА:** Встановіть як мінімум 2 касети з акумулятором в акумуляторний відсік 1 або 2.

3. Вставте блокувальний ключ до упору, як показано на малюнку.

► **Рис.15:** 1. Блокувальний ключ

4. Закрийте кришку відсіку для акумулятора та притисніть її до зачеплення з фіксуючим важелем.

### Виймання касети з акумулятором

1. Потягніть блокувальний важіль угору й відкрийте кришку відсіку для акумулятора.

2. Витягніть касету з акумулятором із машини, водночас натискаючи кнопку на передній частині касети.

3. Витягніть блокувальний ключ.

4. Закрийте кришку відсіку для акумулятора.

### Перемикання касет із акумулятором

► **Рис.16:** 1. Перемикач вибору акумулятора

У цій машині для роботи одночасно використовується 2 касети з акумулятором. У машину можна встановити до 4 касет із акумулятором. Перед початком експлуатації машини виберіть акумуляторний відсік 1 або 2, повернувши перемикач вибору акумулятора.

**ПРИМІТКА:** Якщо на машину встановлено тільки 2 касети з акумулятором, виберіть акумуляторний відсік, в який встановлено касети з акумулятором, за допомогою перемикача вибору акумулятора.

### Система захисту машини й акумулятора

Машини оснащені системою захисту машини / акумулятора. Ця система автоматично вимикає живлення двигуна з метою подовження терміну служби машини й акумулятора. Машини автоматично зупиняються під час роботи, якщо машина або акумулятор перебувають у зазначених далі умовах.

### Захист від перевантаження

Якщо через спосіб експлуатації акумулятор споживає аномально високий струм, машина автоматично вимкнеться, а індикатор живлення почне блимати зеленим. У такому випадку вимкніть машину та припиніть роботу, під час виконання якої сталося перевантаження машини. Щоб перезапустити машину, увімкніть її знову.

## Захист від перегрівання

Якщо машина або акумулятор перегрілися, машина автоматично вимикається, а індикатор живлення загоряється червоним. У цьому випадку дайте обладнанню й акумулятору охолонути, перш ніж знову вмикати обладнання.

## Захист від надмірного розрядження

Якщо ємності акумулятора недостатньо, машина зупиниться автоматично, а індикатор живлення почне блимати червоним. У такому разі вийміть із машини акумулятор і зарядіть касети з акумуляторами або замініть їх на повністю заряджені.

## Відображення залишкового заряду акумулятора

Тільки для касет з акумулятором, які мають індикатори

► **Рис.17:** 1. Індикаторні лампи 2. Кнопка перевірки  
Натисніть кнопку перевірки на касеті з акумулятором для відображення залишкового ресурсу акумулятора. Індикаторні лампи загоряються на кілька секунд.

Індикаторні лампи			Залишковий ресурс
Горить	Вимк.	Блимає	
			від 75 до 100%
			від 50 до 75%
			від 25 до 50%
			від 0 до 25%
			Зарядіть акумулятор.
			Можливо, акумулятор вийшов з ладу.

**ПРИМІТКА:** Залежно від умов використання та температури оточуючого середовища показання можуть незначним чином відрізнятися від дійсного ресурсу.

## Панель керування

На панелі керування розташовані вимикач живлення, кнопка перемикання режимів й індикатор залишкової ємності акумулятора.

► **Рис.18:** 1. Індикатор акумулятора 2. Індикатор перемикання режимів 3. Індикатор живлення 4. Кнопка перевірки 5. Кнопка перемикання режимів 6. Вимикач живлення

## Вимикач живлення

**▲ ПОПЕРЕДЖЕННЯ:** Завжди вимикайте вимикач живлення, коли не використовуєте пристрій.

Щоб увімкнути інструмент, натисніть вимикач живлення. Індикатор живлення засвітиться зеленим. Щоб вимкнути інструмент, знову натисніть вимикач живлення.

**ПРИМІТКА:** Якщо індикатор живлення загориться червоним або почне блимати червоним або зеленим, див. розділ інструменту із системи захисту машини або акумулятора.

**ПРИМІТКА:** Цей інструмент підтримує функцію автоматичного вимкнення. Щоб запобігти ненавмисному запуску, вимикач живлення буде автоматично вимикатися, якщо не тягнути за пусковий важіль і важіль приводу (якщо встановлено) протягом певного часу після ввімкнення вимикача живлення.

## Кнопка перемикання режимів

Перемикати режими можна натисненням кнопки перемикання режимів. Одразу після запуску машина працює у звичайному режимі. У разі натиснення кнопки перемикання режимів машина почне працювати в режимі зниження рівня шуму, а індикатор перемикання режимів засвітиться зеленим кольором. У режимі зниження рівня шуму можна зменшити шум роботи газонокосарки. Після повторного натиснення кнопки перемикання режимів машина знову запрацює у звичайному режимі.

## Відображення залишкового заряду акумулятора

Натисніть кнопку перевірки для відображення залишкового ресурсу акумулятора. Індикатори акумулятора відносяться до кожного акумулятора.

Стан індикатора акумулятора		Залишок заряду акумулятора
Вмк.	Вимк.	
		від 50 до 100%
		від 20 до 50%
		від 0 до 20%

**ПРИМІТКА:** Показання індикаторів заряду акумулятора можуть використовуватися тільки як орієнтовні дані. Фактичний рівень заряду акумулятора може відрізнятися залежно від умов використання.

**ПРИМІТКА:** Зупиніть машину, перш ніж натискати кнопку перевірки заряду акумулятора.



## Дія вимикача

**▲ ПОПЕРЕДЖЕННЯ:** Перш ніж вставляти в інструмент касету з акумулятором, слід обов'язково переконатися в тому, що пусковий важіль спрацьовує належним чином і повертається у вихідне положення після відпускання. Робота з машиною, вимикач якої не спрацьовує належним чином, може призвести до втрати контролю над машиною й отримання тяжких травм.

**ПРИМІТКА:** Навіть за натискання на пусковий важіль газонокосарка не запуститься, якщо не натиснуто пускову кнопку.

**ПРИМІТКА:** Газонокосарка може не запуститися через переваженість, якщо спробувати скосити високу або густу траву за один прохід. У такому разі потрібно збільшити висоту скошування.

Газонокосарку оснащено блокувальним ключем і вимикачем на ручці. Якщо помітите щось незвичне в роботі блокувального ключа або вимикача, негайно припиніть роботу та перевірте їх у найближчому авторизованому сервісному центрі Makita.

### Дії в разі роботи з DLM462/DLM532

1. Установіть касети з акумулятором. Вставте блокувальний ключ і закрийте кришку відсіку для акумулятора.
  2. Виберіть касети з акумулятором для роботи, повернувши перемикач вибору акумулятора.
  3. Натисніть вимикач живлення.
  4. Потягніть пусковий важіль до себе, утримуючи пускову кнопку. Щойно двигун запуститься, відпустіть пускову кнопку.
- **Рис.19:** 1. Пускова кнопка 2. Пусковий важіль

**ПРИМІТКА:** Якщо блокувальний ключ не вставлено, коли ви будете тягнути за пусковий важіль, індикатор живлення блиматиме зеленим кольором.

5. Утримуючи пусковий важіль, натисніть пусковий важіль вперед і утримуйте його для зняття блокування задніх коліс.
- **Рис.20:** 1. Важіль приводу

**ПРИМІТКА:** Задні колеса можна привести до руху, натиснувши важіль приводу вперед і утримуючи його, не натискаючи пусковий важіль.

6. Щоб зупинити машину, відпустіть важіль приводу й пусковий важіль.

### Дії в разі роботи з DLM530

1. Установіть касети з акумулятором. Вставте блокувальний ключ і закрийте кришку відсіку для акумулятора.
  2. Виберіть касети з акумулятором для роботи, повернувши перемикач вибору акумулятора.
  3. Натисніть вимикач живлення.
  4. Потягніть пусковий важіль до себе, утримуючи пускову кнопку. Щойно двигун запуститься, відпустіть пускову кнопку.
- **Рис.21:** 1. Пускова кнопка 2. Пусковий важіль

**ПРИМІТКА:** Якщо блокувальний ключ не вставлено, коли ви будете тягнути за пусковий важіль, індикатор живлення блиматиме зеленим кольором.

5. Щоб зупинити двигун, відпустіть пусковий важіль.

## Регулювання висоти скошування

**▲ ПОПЕРЕДЖЕННЯ:** Регулюючи висоту скошування, у жодному разі не розташовуйте руку чи ногу під корпусом газонокосарки.

**▲ ПОПЕРЕДЖЕННЯ:** Перед початком роботи переконайтеся, що важіль належним чином увійшов у паз.

Висоту скошування можна відрегулювати в діапазоні від 20 мм до 100 мм.

Вийміть блокувальний ключ і потягніть важіль регулювання висоти скошування з корпусу газонокосарки, а потім установіть його на бажану висоту косіння.

► **Рис.22:** 1. Важіль регулювання висоти скошування

У таблиці нижче показано співвідношення цифр на корпусі газонокосарки та приблизної висоти скошування.

Цифра	Висота скошування
1	20 мм
2	26 мм
3	32 мм
4	39 мм
5	47 мм
6	55 мм
7	63 мм
8	74 мм
9	86 мм
10	100 мм

Тримайте передню ручку або нижню ручку однією рукою, а іншою пересувайте важіль регулювання висоти скошування.

► **Рис.23:** 1. Важіль регулювання висоти скошування 2. Нижня ручка 3. Передня ручка

**ПРИМІТКА:** Позначки висоти скошування слід використовувати лише для довідки. Залежно від стану газону або ґрунту фактична висота скошування може дещо відрізнятись від заданого значення.

**ПРИМІТКА:** Зробіть пробне скошування трави у менш помітному місці, щоб налаштувати потрібну висоту.

## Індикатор рівня трави

Індикатор рівня трави показує обсяг скошеної трави. Коли кошик для трави неповний, індикатор коливається під час роботи лез.

► **Рис.24:** 1. Індикатор рівня трави

Коли кошик для трави майже повний, індикатор не коливається під час роботи лез. У такому разі негайно припиніть роботу та спорожніть кошик.

► **Рис.25:** 1. Індикатор рівня трави

**ПРИМІТКА:** Цей індикатор є лише приблизним. Залежно від умов усередині корзини цей індикатор може працювати неналежним чином.

## Регулювання висоти рукоятки

**⚠ОБЕРЕЖНО:** Перш ніж зняти болти, міцно візьміться за верхню ручку. Недотримання цієї вимоги може призвести до травм у разі падіння ручки.

Ручка має двоступеневе регулювання висоти.

1. Вкрутіть верхні болти нижньої ручки торцевим ключем на 13 і послабте нижні болти.

► **Рис.26:** 1. Верхній болт 2. Нижній болт

2. Відрегулюйте висоту ручки та щільно затягніть верхній і нижній болти.

## Налаштування швидкості руху

Дії в разі роботи з DLM462/DLM532

► **Рис.27:** 1. Важіль регулювання швидкості

Швидкість руху можна налаштувати важелем регулювання швидкості. Для зменшення швидкості потягніть важіль на себе, для збільшення швидкості натисніть важіль вперед.

## Використання вставки для мульчування

Вставка для мульчування дає змогу скидати подрібнену траву назад на газон, не збираючи її в кошик для трави. У разі роботи зі вставкою для мульчування впевніться, що кошик для трави знято з машини.

**УВАГА:** У разі використання машини зі вставкою для мульчування переконайтеся, що загальна довжина трави після зрізання становить щонайменше 30 мм, а довжина зрізу не перевищує 15 мм.

► **Рис.28:** (1) 30 мм або більше (2) 15 мм або менше

## Використання насадки для викидання трави

Дії в разі роботи з DLM530/DLM532

Насадка для викидання трави дає змогу скидати подрібнену траву назад на газон із правого боку машини, не збираючи її в кошик для трави. У разі роботи з насадкою для викидання трави переконайтеся в тому, що вставка для мульчування встановлена, а кошик для трави знято з машини.

## Електронні функції

Для полегшення роботи в інструменті доступні електронні функції.

- Постійний контроль швидкості обертання полотна Пристрій електронного контролю частоти обертання для підтримки постійної частоти обертання. Дає можливість отримати чисту обробку завдяки підтриманню швидкості обертання на постійному рівні, навіть під навантаженням.
- М'який старт під час приведення до руху Функція плавного запуску мінімізує ривок під час запуску й забезпечує плавний запуск інструмента.
- Електричне гальмо Цю машину обладнано електричним гальмом. Якщо після відпускання пускового важеля не кожного разу відбувається швидка зупинка ріжучого полотна газонокосарки, надішліть машину в офіційний сервісний центр Makita для обслуговування.

## РОБОТА

### Косіння

**⚠ПОПЕРЕДЖЕННЯ:** Перш ніж починати косити газон, приберіть з робочої ділянки гілки та каміння. Крім того, видаліть заздалегідь бур'ян із робочої ділянки.

**⚠ПОПЕРЕДЖЕННЯ:** Під час використання газонокосарки обов'язково користуйтеся захисними окулярами з боковими щитками.

**⚠ОБЕРЕЖНО:** Якщо в корпусі газонокосарки накопичилася трава або сторонні об'єкти, обов'язково вийміть блокувальний ключ і касету з акумулятором та надягніть захисні рукавички, перш ніж видаляти сміття зсередини корпусу.

**УВАГА:** Використовуйте машину лише для косіння газонів. Не використовуйте її для косіння бур'янів.

► **Рис.29**

Під час скошування міцно тримайте ручку обома руками. Рекомендована швидкість скошування становить приблизно від 7 до 14 метрів за 10 секунд.

► **Рис.30**

Центральні лінії на передніх колесах показують ширину смуги скошування. Використовуйте їх як напрямні, косите смугами. Щоб рівномірно підстригти газон, перекивайте косаркою половину або третину попередньої смуги.

► **Рис.31:** 1. Ширина скошування 2. Зона перекиртия 3. Центральна лінія

Змінійте напрям руху кожного разу, щоб уникнути пригинання трави в одному напрямку.

► **Рис.32**

Періодично перевіряйте кількість скошеної трави у корзині. Спорожніть корзину для трави до того, як вона заповниться. Перед кожною такою перевіркою зупиняйте газонокосарку та виймайте блокувальний ключ та касету з акумулятором.

**УВАГА:** Якщо використовувати газонокосарку із залповним кошиком для трави, ріжуче полотно обертається нерівномірно – це збільшує навантаження на двигун і може призвести до його виходу з ладу.

## Косіння газону з високою травою

Не намагайтеся підрізати газон із високою травою за один прохід. Натомість косіть такий газон у кілька прийомів. Косіть газон з інтервалом в один або два дні, доки трава не набуде рівномірної довжини.

► Рис.33

**ПРИМІТКА:** Якщо скосити високу траву одразу дуже коротко, це може призвести до її відмирання. Крім того, зрізана трава може заблокувати зсередини корпус газонокосарки.

## Спорожнення корзини для трави

**▲ПОПЕРЕДЖЕННЯ:** Щоб зменшити ризик нечасного випадку, регулярно оглядайте корзину для трави на наявність пошкоджень або зменшення міцності. За необхідності замініть корзину для трави.

1. Відпустіть пусковий важіль та важіль приводу (для DLM462/DLM532) або відпустіть пусковий важіль (для DLM530).

2. Вийміть блокувальний ключ.

3. Відкрийте задню кришку й вийміть кошик для трави, тримаючи його за ручку.

► Рис.34: 1. Задня кришка 2. Ручка 3. Кошик для трави

4. Спорожніть корзину для трави.

## ТЕХНІЧНЕ ОБСЛУГОВУВАННЯ

**▲ПОПЕРЕДЖЕННЯ:** Обов'язково виймайте з газонокосарки блокувальний ключ і касету з акумулятором, перш ніж ставити інструмент на зберігання, оглядати його або проводити ремонт або технічне обслуговування.

**▲ПОПЕРЕДЖЕННЯ:** Обов'язково виймайте блокувальний ключ, коли газонокосарка не використовується. Зберігайте блокувальний ключ у безпечному та недоступному для дітей місці.

**▲ПОПЕРЕДЖЕННЯ:** Під час огляду або проведення технічного обслуговування одягайте рукавиці.

**▲ПОПЕРЕДЖЕННЯ:** Під час огляду або технічного обслуговування інструмента обов'язково користуйтеся захисними окулярами з боковими щитками.

**УВАГА:** Ніколи не використовуйте газолін, бензин, розріджувач, спирт та подібні речовини. Їх використання може призвести до зміни кольору, деформації або появи тріщин.

Для забезпечення БЕЗПЕКИ та НАДІЙНОСТІ продукції, її ремонт, а також роботи з обслуговування або регулювання повинні виконуватись уповноваженими або заводськими сервісними центрами Makita із використанням запчастин виробництва компанії Makita.

## Технічне обслуговування

1. Вийміть блокувальний ключ і касети з акумуляторами й закрийте кришку відсіку для акумулятора.

2. Покладіть газонокосарку на бік таким чином, щоб важіль регулювання висоти скошування опинився зверху. Видаліть обрізки трави з днища газонокосарки.

3. Лийте воду на нижню частину інструмента, де кріпиться ріжуче полотно.

**УВАГА:** Не мийте інструмент струменем під тиском.

4. Перевірте, чи належним чином затягнуто всі гайки, болти, гвинти тощо.

5. Огляньте рухомі частини на наявність пошкоджень, тріщин та зношення. Пошкоджені або відсутні деталі необхідно відремонтувати або замінити.

6. Зберігайте інструмент у безпечному й недоступному для дітей місці.

Дії в разі роботи з DLM462/DLM532

**УВАГА:** Не допускайте потрапляння води на зону, показану на малюнку. Потрапляння води на вузол двигуна може призвести до несправності машини.

► Рис.35: 1. Зона, куди не слід допускати потрапляння води

## Перенесення газонокосарки

Переносити газонокосарку потрібно вдвох, тримаючи її за передню та задню ручки, як показано на малюнку.

► Рис.36: 1. Передня ручка 2. Задня ручка

## Зберігання

Зберігайте газонокосарку в прохолодному, сухому й замкненому приміщенні. Заборонено зберігати газонокосарку й зарядний пристрій у місцях, де температура може сягнути або перевищити 40 °С.

## Зняття або встановлення ріжучого полотна газонокосарки

**▲ПОПЕРЕДЖЕННЯ:** Після відпускання пускового важеля ріжуче полотно продовжує рух за інерцією протягом кількох секунд. Заборонено розпочинати будь-які дії до повної зупинки ріжучого полотна.

**▲ПОПЕРЕДЖЕННЯ:** Під час зняття або встановлення ріжучого полотна обов'язково виймайте блокувальний ключ та касету з акумулятором. Якщо не вийняти блокувальний ключ та касету з акумулятором, це може призвести до важких травм.

**▲ПОПЕРЕДЖЕННЯ:** Під час роботи з ріжучим полотном обов'язково одягайте рукавиці.

## Знімання ріжучого полотна газонокосарки

### Для моделей, оснащених прямим ріжучим полотном газонокосарки

1. Покладіть газонокосарку на бік таким чином, щоб важіль регулювання висоти скошування опинився зверху.
2. Щоб заблокувати лезо, вставте штифт в отвір на корпусі газонокосарки.
3. Викрутіть болт, обертаючи його торцевим ключем на 17 проти годинникової стрілки.  
► **Рис.37:** 1. Ріжуче полотно газонокосарки 2. Штифт 3. Торцевий ключ
4. Вийміть болт, а потім зніміть ріжуче полотно газонокосарки.  
► **Рис.38:** 1. Опора для леза 2. Ріжуче полотно газонокосарки 3. Болт 4. Виступ

**УВАГА:** Під час установки ріжучого полотна газонокосарки переконайтеся в тому, що виступи на опорі для леза входять в отвори на лезі газонокосарки.

### Для моделей, оснащених відкидним ріжучим полотном газонокосарки

1. Покладіть газонокосарку на бік таким чином, щоб важіль регулювання висоти скошування опинився зверху.
2. Для блокування опорної плити вставте штифт в отвір на корпусі газонокосарки через отвір на опорній плиті.
3. Викрутіть болт, обертаючи його торцевим ключем на 17 проти годинникової стрілки.  
► **Рис.39:** 1. Штифт 2. Опорна плита 3. Торцевий ключ
4. Вийміть болт, а потім зніміть опорну плиту.  
► **Рис.40:** 1. Опора для леза 2. Опорна плита 3. Болт 4. Виступ

**УВАГА:** Під час установки ріжучих полотен газонокосарки переконайтеся в тому, що виступи на опорі для леза входять в отвори на опорній плиті.

5. Щоб зняти окреме ріжуче полотно газонокосарки, поверніть болт проти годинникової стрілки торцевим ключем на 17, утримуючи опорну плиту.  
► **Рис.41:** 1. Опорна плита 2. Ріжуче полотно газонокосарки 3. Торцевий ключ
6. Послідовно зніміть гайку, шайбу, пружинну шайбу, ріжуче полотно газонокосарки та болт.  
► **Рис.42:** 1. Отвір під болт 2. Болт 3. Ріжуче полотно газонокосарки 4. Пружинна шайба 5. Шайба 6. Гайка

**УВАГА:** Гайки для встановлення окремих ріжучих полотен газонокосарки слід затягувати з моментом 30 Н•м.

**УВАГА:** Під час встановлення окремого ріжучого полотна газонокосарки не забудьте встановити пружинну шайбу в напрямку, показаному на малюнку.

**УВАГА:** Під час встановлення окремого ріжучого полотна газонокосарки не забудьте вставити болти в отвори під болти, показані на малюнку.

## Установлення ріжучого полотна газонокосарки

**▲ПОПЕРЕДЖЕННЯ:** Обережно встановіть ріжуче полотно газонокосарки. Воно має верхню й нижню поверхні.

**▲ПОПЕРЕДЖЕННЯ:** Міцно затягніть болт за годинниковою стрілкою, щоб закріпити ріжуче полотно.

**▲ПОПЕРЕДЖЕННЯ:** Переконайтеся в тому, що ріжуче полотно газонокосарки й усі кріпильні деталі правильно встановлено й надійно затягнуто.

**▲ПОПЕРЕДЖЕННЯ:** Під час встановлення ріжучих полотен обов'язково дотримуйтеся інструкцій, наведених у цьому посібнику.

**УВАГА:** Після встановлення ріжучих полотен газонокосарки витягніть штифт із корпусу газонокосарки.

Щоб встановити ріжуче полотно газонокосарки, виконайте процедуру їх зняття у зворотному порядку.

# УСУНЕННЯ НЕСПРАВНОСТЕЙ

Перш ніж звертатися з приводу ремонту машини, проведіть її перевірку самостійно. У разі виявлення несправності, яка не пояснюється в цій інструкції з експлуатації, не намагайтеся розібрати обладнання. Натомість зверніться до авторизованих сервісних центрів Makita, у яких для ремонту використовуються тільки запасні частини виробництва компанії Makita.

Стан відхилення від норми	Можлива причина (несправність)	Спосіб виправлення
Газонокосарка не запускається.	Не встановлено дві касети з акумулятором.	Встановіть дві заряджені касети з акумуляторами.
	Проблема з акумулятором (знижена напруга)	Зарядіть касету з акумулятором. Якщо зарядження не призвело до бажаного результату, замініть касету з акумулятором.
	Блокувальний ключ не вставлено.	Вставте блокувальний ключ.
	Перемикач вибору акумулятора перебуває в неправильному положенні.	Перемикачем вибору акумулятора виберіть акумуляторний відсік, в який встановлено касети з акумулятором.
Двигун перестає працювати після короткочасного використання.	Низький рівень заряду акумулятора.	Зарядіть касету з акумулятором. Якщо зарядження не призвело до бажаного результату, замініть касету з акумулятором.
	Висота різання замала.	Збільште висоту різання.
	Засмічення газонокосарки зрізаною травою.	Вийміть траву з газонокосарки.
Двигун не досягає максимальної швидкості обертання.	Касету з акумулятором встановлено неправильно.	Встановіть касету з акумулятором, як описано в цьому посібнику.
	Заряд акумулятора зменшується.	Зарядіть касету з акумулятором. Якщо зарядження не призвело до бажаного результату, замініть касету з акумулятором.
	Система приводу працює неправильно.	Зверніться до місцевого авторизованого сервісного центру з приводу ремонту.
Ріжуче полотно газонокосарки не обертається: ⇒ негайно зупиніть газонокосарку!	Сторонній предмет, як-от гілка, застряг поруч із ріжучим полотном.	Приберіть сторонній предмет.
	Система приводу працює неправильно.	Зверніться до місцевого авторизованого сервісного центру з приводу ремонту.
Аномальна вібрація: ⇒ негайно зупиніть газонокосарку!	Ріжуче полотно розбалансоване, надмірно або нерівномірно зношене.	Замініть ріжуче полотно.

## ДОДАТКОВЕ ПРИЛАДДЯ

**⚠ ОБЕРЕЖНО:** Це допоміжне приладдя й насадки рекомендовано використовувати з машиною Makita, зазначеною в цьому посібнику. Використання будь-якого іншого додаткового приладдя й насадок може призвести до травмування. Використовуйте додаткове приладдя й насадки лише за призначенням.

У разі необхідності отримати допомогу в більш детальному ознайомленні з оснащенням звертайтеся до місцевого сервісного центру Makita.

- Ріжуче полотно газонокосарки
- Оригінальний акумулятор та зарядний пристрій Makita

**ПРИМІТКА:** Деякі елементи в списку можуть входити до комплекту поставки обладнання як стандартне приладдя. Вони можуть різнитися залежно від країни.

## ТЕХНИЧЕСКИЕ ХАРАКТЕРИСТИКИ

Модель:		DLM462	DLM530	DLM532
Ширина скашивания (диаметр лезвия)		460 мм	534 мм	
Число оборотов без нагрузки		2 500 мин <sup>-1</sup>	2 300 мин <sup>-1</sup>	
Максимальная рабочая частота		3 300 мин <sup>-1</sup>	2 800 мин <sup>-1</sup>	
Сменное лезвие газонокосилки, номер детали	Прямое лезвие газонокосилки	191D51-9	191D52-7	
	Откидные лезвия косилки *1	191D49-6	191D50-1	
	Откидные лезвия косилки *2	191D47-0	191D48-8	
Размеры (Д × Ш × В)		Д: от 1 610 мм до 1 690 мм Ш: 535 мм В: от 980 мм до 1 095 мм	Д: от 1 630 мм до 1 715 мм. Ш: 590 мм В: от 990 мм до 1 095 мм	
Скорость передвижения		2,5–5,0 км/ч	–	2,5–5,0 км/ч
Номинальное напряжение		36 В пост. тока		
Масса нетто	Когда установлено прямое лезвие газонокосилки	35,3 – 39,0 кг	35,5 – 39,3 кг	39,0–42,8 кг
	Когда установлены откидные лезвия косилки	36,0–39,7 кг	36,2–40,0 кг	39,7–43,5 кг
Степень защиты		IPX4		

\*1. Плита основания и отдельные лезвия газонокосилки.

\*2. Только отдельные лезвия газонокосилки.

- Благодаря нашей постоянно действующей программе исследований и разработок указанные здесь технические характеристики могут быть изменены без предварительного уведомления.
- Технические характеристики могут различаться в зависимости от страны.
- Масса может отличаться в зависимости от дополнительного оборудования. Обратите внимание, что блок аккумулятора также считается дополнительным оборудованием. В таблице представлены комбинации с наибольшим и наименьшим весом в соответствии с процедурой ЕРТА 01/2014.

### Подходящий блок аккумулятора

BL1815N / BL1820 / BL1820B / BL1830 / BL1830B / BL1840 / BL1840B / BL1850 / BL1850B / BL1860B

- В зависимости от региона вашего проживания некоторые блоки аккумуляторов, перечисленные выше, могут быть недоступны.

**⚠ ОСТОРОЖНО:** Используйте только перечисленные выше блоки аккумуляторов. Использование других блоков аккумуляторов может привести к травме и/или пожару.

**⚠ ОСТОРОЖНО:** Не используйте с этой машиной проводной источник электропитания, например переходник зарядного устройства или портативный блок питания. Кабель этого источника электропитания может помешать работе и стать причиной травмы.

### Символы

Ниже приведены символы, которые могут использоваться для обозначения оборудования. Перед использованием убедитесь в том, что вы понимаете их значение.

	Обратите особое внимание.
	Прочитайте руководство по эксплуатации.
	Опасности! Возможен разлет твердых предметов.

	Расстояние от инструмента до находящихся поблизости людей должно быть не менее 15 м.
	Не приближайте руки и ноги к ножам под дном газонокосилки. После выключения электромотора лезвия продолжают вращаться.
	Перед осмотром, регулировкой, очисткой, обслуживанием, оставлением и хранением газонокосилки извлекайте ключ блокировки.
	Электрическая опасность. Попадание воды на машину может привести к поражению электрическим током.
	Не допускайте попадания воды на машину.



Только для стран ЕС  
Не выбрасывайте электрооборудование или аккумуляторы вместе с бытовым мусором!  
В соответствии с европейскими директивами об утилизации электрического и электронного оборудования, о батареях и аккумуляторах, а также использованных батареях и аккумуляторах и их применении в соответствии с местными законами электрооборудование, батареи и аккумуляторы, срок эксплуатации которых истек, должны утилизироваться отдельно и передаваться для утилизации на предприятие, соответствующее применяемым правилам охраны окружающей среды.

## Назначение

Газонокосилка предназначена для стрижки газонов.

## Шум

Типичный уровень взвешенного звукового давления (A), измеренный в соответствии с EN60335-2-77:

**ПРИМЕЧАНИЕ:** значения были измерены на газонокосилке, оснащенной прямым лезвием.

### Модель DLM462

Уровень звукового давления ( $L_{pA}$ ): 82,7 дБ (A)  
Уровень звуковой мощности ( $L_{WA}$ ): 90,9 дБ (A)  
Погрешность (K): 3 дБ (A)

### Модель DLM530

Уровень звукового давления ( $L_{pA}$ ): 78,1 дБ (A)  
Уровень звуковой мощности ( $L_{WA}$ ): 90,4 дБ (A)  
Погрешность (K): 3 дБ (A)

### Модель DLM532

Уровень звукового давления ( $L_{pA}$ ): 78,1 дБ (A)  
Уровень звуковой мощности ( $L_{WA}$ ): 90,4 дБ (A)  
Погрешность (K): 3 дБ (A)

Уровень шума при выполнении работ может превышать 80 дБ (A).

**ПРИМЕЧАНИЕ:** Заявленное значение распространения шума измерено в соответствии со стандартной методикой испытаний и может быть использовано для сравнения инструментов.

**ПРИМЕЧАНИЕ:** Заявленное значение распространения шума можно также использовать для предварительных оценок воздействия.

**⚠ ОСТОРОЖНО:** Используйте средства защиты слуха.

**⚠ ОСТОРОЖНО:** Распространение шума во время фактического использования электроинструмента может отличаться от заявленного значения в зависимости от способа применения инструмента и в особенности от типа обрабатываемой детали.

**⚠ ОСТОРОЖНО:** Обязательно определите меры безопасности для защиты оператора, основанные на оценке воздействия в реальных условиях использования (с учетом всех этапов рабочего цикла, таких как выключение инструмента, работа без нагрузки и включение).

## Вибрация

Суммарное значение вибрации (сумма векторов по трем осям), определенное в соответствии с EN60335-2-77:

**ПРИМЕЧАНИЕ:** значения были измерены на газонокосилке, оснащенной прямым лезвием.

### Модель DLM462

Распространение вибрации ( $a_n$ ): 2,5 м/с<sup>2</sup> или менее  
Погрешность (K): 1,5 м/с<sup>2</sup>

### Модель DLM530

Распространение вибрации ( $a_n$ ): 2,5 м/с<sup>2</sup> или менее  
Погрешность (K): 1,5 м/с<sup>2</sup>

### Модель DLM532

Распространение вибрации ( $a_n$ ): 2,5 м/с<sup>2</sup> или менее  
Погрешность (K): 1,5 м/с<sup>2</sup>

**ПРИМЕЧАНИЕ:** Заявленное общее значение распространения вибрации измерено в соответствии со стандартной методикой испытаний и может быть использовано для сравнения инструментов.

**ПРИМЕЧАНИЕ:** Заявленное общее значение распространения вибрации можно также использовать для предварительных оценок воздействия.

**⚠ ОСТОРОЖНО:** Распространение вибрации во время фактического использования электроинструмента может отличаться от заявленного значения в зависимости от способа применения инструмента и в особенности от типа обрабатываемой детали.

**⚠ ОСТОРОЖНО:** Обязательно определите меры безопасности для защиты оператора, основанные на оценке воздействия в реальных условиях использования (с учетом всех этапов рабочего цикла, таких как выключение инструмента, работа без нагрузки и включение).

## Декларация о соответствии ЕС

*Только для европейских стран*

Декларация о соответствии ЕС включена в руководство по эксплуатации (Приложение А).

## МЕРЫ БЕЗОПАСНОСТИ

### ВАЖНЫЕ ИНСТРУКЦИИ ПО ТЕХНИКЕ БЕЗОПАСНОСТИ

**⚠ ОСТОРОЖНО:** Ознакомьтесь со всеми инструкциями и рекомендациями по технике безопасности. Невыполнение инструкций и рекомендаций может привести к поражению электротоком, пожару и/или тяжелым травмам.

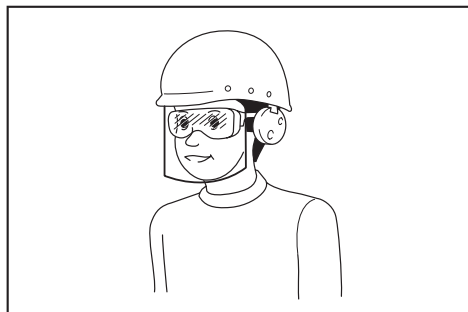
# Сохраните брошюру с инструкциями и рекомендациями для дальнейшего использования.

## Инструктаж

1. Внимательно прочитайте инструкции. Ознакомьтесь со всеми элементами управления и правилами надлежащей эксплуатации газонокосилки.
2. Не разрешайте детям и лицам, не знакомым с данными инструкциями, пользоваться косилкой. В местном законодательстве могут существовать возрастные ограничения для операторов.
3. Запрещается эксплуатировать газонокосилку, если поблизости находятся люди (в особенности дети) или животные.
4. Помните, что оператор/пользователь несет ответственность за происшествие и опасные ситуации с другими людьми или их собственностью.
5. Следует следить за маленькими детьми, чтобы они не использовали газонокосилку в качестве игрушки.
6. Физическое состояние – не эксплуатируйте газонокосилку, находясь под действием наркотиков, алкоголя или лекарств.

## Подготовка

1. На время эксплуатации косилки обязательно надевайте прочную обувь и длинные брюки. Не пользуйтесь оборудованием босиком или в открытых сандалиях. Не следует носить галстук, свободную одежду или украшения, а также одежду, украшенную свисающими шнурами. Их может затянуть движущимися деталями.
2. Перед началом работы осматривайте газонокосилку на предмет поврежденных, отсутствующих или неправильно установленных ограждений или экранов.
3. Перед началом работы убедитесь, что поблизости никого нет. Если кто-либо приблизился, выключите газонокосилку.
4. Не вставляйте ключ блокировки в газонокосилку, пока она не будет готова к эксплуатации.
5. Во время работы с электроинструментом всегда надевайте защитные очки. Очки должны соответствовать ANSI Z87.1 для США, EN 166 для Европы, или AS/NZS 1336 для Австралии и Новой Зеландии. В Австралии и Новой Зеландии оператор также обязан носить защитную маску.



Ответственность за использование средств защиты операторами и другим персоналом вблизи рабочей зоны возлагается на работодателя.

6. Перед эксплуатацией тщательно осмотрите лезвия и болты лезвий и убедитесь в отсутствии трещин или повреждений. Немедленно замените треснувшие или поврежденные лезвия или болты лезвий.
7. Перед началом работы очистите площадку от посторонних предметов (каменной, проволоки, бутылок, костей и больших палок), чтобы не допустить травм или повреждения газонокосилки.
8. Предметы, отброшенные лезвием газонокосилки, могут нанести тяжелые травмы. Перед началом работы необходимо тщательно осмотреть газон и очистить его от всех предметов.
9. Осматривайте газон на предмет углублений, колеи, ухабов, камней или других скрытых предметов. Неровности поверхности могут стать причиной поскользывания и падения. Высокая трава может скрывать препятствия.
10. Запрещается вставлять или вынимать ключ блокировки под дождем.
11. Используйте индивидуальные средства защиты. Всегда надевайте защитные очки. Такие средства индивидуальной защиты, как маска от пыли, защитная нескользящая обувь, каска или наушники, используемые в соответствующих условиях, позволяют снизить риск получения травмы.

## Выполнение работы

1. Во время работы с устройством не тянитесь. Всегда сохраняйте равновесие. При работе на склонах занимайте устойчивое положение. Передвигайтесь шагом, не бегите.
2. Остановите газонокосилку, извлеките ключ блокировки и убедитесь в том, что все движущиеся части полностью остановились, если:
  - оставляете машину;
  - планируете устранить засоры и удалять предметы, закупорившие желоб;
  - собираетесь проверять, очищать оборудование или выполнять его обслуживание;
  - оборудование ударилось о посторонний предмет. Перед повторным запуском осмотрите машину на предмет повреждений и устраните неисправность:
    - при появлении аномальной вибрации в газонокосилке.
3. Запрещается использовать машину с неисправными ограждениями и экранами или без защитных приспособлений, например дефлекторов или бункера для сбора травы.
4. Не рекомендуется использовать газонокосилку в неблагоприятных погодных условиях, особенно если существует риск удара молнии.
5. При эксплуатации газонокосилки обязательно носите средства защиты глаз и прочную обувь.
6. Используйте устройство только в дневное время или при хорошем искусственном освещении.
7. Осторожно включайте газонокосилку в соответствии с инструкциями, ноги при этом должны находиться как можно дальше от лезвий.



8. Соблюдайте меры безопасности во избежание травмирования ног и рук лезвием газонокосилки.
9. Следите за тем, чтобы вентиляционные отверстия не были засорены.
10. Выполняйте стрижку газонов поперек склона, а не вниз-вверх. Соблюдайте особую осторожность, меняя направление движения на склонах. Не выполняйте стрижку чересчур крутых склонов.
11. Соблюдайте особую осторожность, перемещая газонокосилку задним ходом или подтягивая ее к себе.
12. Обязательно остановите лезвие(я), если машину необходимо наклонить для транспортировки по поверхности, отличной от травы, либо при транспортировке машины к месту эксплуатации и обратно.
13. Не наклоняйте газонокосилку при включении двигателя, кроме случаев, когда ее необходимо наклонять для пуска. В этом случае наклоняйте ее на минимально необходимый угол и поднимайте только дальнюю от оператора часть. При опускании газонокосилки на землю всегда крепко держите рукоятку обеими руками.
14. Не помещайте руки или ноги под вращающиеся детали или вблизи них. Никогда не становитесь перед разгрузочным отверстием.
15. Не транспортируйте включенную газонокосилку.
16. Не рекомендуется использовать машину на мокрой траве.
17. Постоянно надежно удерживайте рукоятку.
18. Поднимая или удерживая косилку, не беритесь за оголенные ножи или режущие кромки.
19. Не приближайте руки и ноги к вращающимся ножам. Внимание - лезвия продолжают вращаться после отключения газонокосилки.
20. Немедленно прекратите выполнение операции, если заметите отклонения в работе. Выключите газонокосилку и извлеките ключ блокировки. Затем осмотрите газонокосилку.
21. Запрещается регулировать высоту скашивания во время движения газонокосилки (если газонокосилка позволяет регулировать высоту скашивания).
22. Отпустите рычажный выключатель и дождитесь останова лезвия, прежде чем переходить улицы, пешеходные дорожки, дороги и любые области с гравийным покрытием. Кроме того, извлекайте ключ блокировки, если выпускаете газонокосилку из рук, нагибаетесь, чтобы подобрать или убрать что-либо с дороги, или по любой другой причине, которая может отвлечь вас от работы.
23. Если газонокосилка ударилась о посторонний предмет, выполните следующее:
  - выключите газонокосилку, отпустите рычажный выключатель и дождитесь полной остановки лезвия;
  - Извлеките ключ блокировки и блок аккумулятора.
24. - внимательно осмотрите газонокосилку на предмет повреждений;  
- замените лезвие, если оно повреждено.
25. Устраните повреждения, прежде чем перезапустить газонокосилку и возобновлять работу.
26. Не включайте двигатель, стоя перед разгрузочным отверстием.
27. Если начинается непредусмотренная вибрация машины (немедленно проверьте)
  - осмотрите на предмет повреждений;
  - замените или отремонтируйте поврежденные детали;
  - проверьте на предмет ослабленных деталей и подтяните их.
28. Не направляйте поток срезанного материала на людей. Не направляйте поток срезанного материала на стену или какой-либо предмет. Срезанный материал может отскочить в сторону оператора. Остановите лезвия на время транспортировки по поверхности из гравия.
29. Не тяните газонокосилку назад без крайней необходимости. Если необходимо отвести косилку от забора или другого аналогичного препятствия, смотрите назад себе под ноги до начала движения, а также во время движения задним ходом.
30. Прежде чем снимать травосборник, отключите двигатель и подождите, пока лезвие полностью остановится. Имейте в виду, что лезвия продолжают вращаться после отключения.
31. При использовании устройства в грязи, на влажном склоне или на скользкой поверхности будьте осторожны, чтобы не поскользнуться.
32. Избегайте работать в сложных условиях, в которых ожидается повышенная усталость пользователя.
33. Не используйте устройство в неблагоприятных погодных условиях, когда видимость ограничена. Несоблюдение этого требования может привести к падению или неправильной эксплуатации устройства из-за плохой видимости.
34. Не допускайте погружения устройства в лужи.
35. В случае прилипания мокрых листьев или грязи ко входу для всасывания (вентиляционному отверстию) удалите их.
36. Запрещается использовать устройство в снегопад.
37. Если срезанная трава является мокрой, она может скапливаться внутри устройства. Регулярно проверяйте состояние устройства и при необходимости удаляйте прилипшую траву.
38. При работе с машиной следите за тем, чтобы не допустить контакта с трубопроводом или проводами.
39. Не используйте с этой машиной проводной источник электропитания, например переходник зарядного устройства или портативный блок питания. Кабель этого источника электропитания может помешать работе и стать причиной травмы.

## Техническое обслуживание и хранение

1. Чтобы обеспечить безопасность, заменяйте изношенные и поврежденные детали. Используйте только оригинальные сменные части и приспособления.
2. Регулярно осматривайте и выполняйте техническое обслуживание газонокосилки.
3. Когда газонокосилка не используется, храните ее в недоступном для детей месте.
4. Все гайки, болты и винты должны быть надежно затянуты — это обеспечит безопасность и работоспособность.
5. Чаще проверяйте корзину для травы на предмет износа или повреждений. Помещая устройство на хранение, обязательно очистите корзину для травы. Для обеспечения безопасности замените изношенную корзину для травы на новую.
6. Пользуйтесь только оригинальными лезвиями производителя, указанными в данном руководстве.
7. Соблюдайте осторожность при регулировке газонокосилки, чтобы не допустить защемления пальцев между движущимися лезвиями и неподвижными частями машины.
8. Чаще проверяйте надежность затяжки болта крепления лезвия.
9. Перед постановкой на хранение дайте косилке остыть.
10. При обслуживании лезвий следует помнить, что лезвия могут двигаться даже при отключенном питании.
11. Не удаляйте предохранительные устройства и не вносите изменения в их конструкцию. Регулярно проверяйте правильность их работы. Не предпринимайте никаких действий, которые могут повлиять на функционирование предохранительного устройства или снизить степень защиты, обеспечиваемой предохранительным устройством.
12. Не оставляйте устройство без присмотра под открытым небом в дождь.
13. Запрещается мыть устройство струей воды с высоким напором.
14. При мойке устройства обязательно вытащите аккумулятор и ключ блокировки и закройте крышку отсека аккумулятора. Вода при мойке должна стекать к нижней части устройства, где крепится лезвие.
15. Не храните устройство в помещениях с высокой влажностью или температурой, на солнце или под дождем.
16. Осмотр и техническое обслуживание устройства следует выполнять в месте, защищенном от осадков.
17. После использования устройства очистите его от налипшей грязи и полностью высушите, перед тем как поместить на хранение. В зависимости от времени года и/или региона устройство может выйти из строя из-за замерзания воды.

## Эксплуатация и обслуживание электроинструмента, работающего на аккумуляторах

1. Заряжайте аккумулятор только зарядным устройством, указанным изготовителем. Зарядное устройство, подходящее для одного типа аккумуляторов, может привести к пожару при его использовании с другим аккумуляторным блоком.

2. Используйте электроинструмент только с указанными аккумуляторными блоками. Использование других аккумуляторных блоков может привести к травме или пожару.
3. Когда аккумуляторный блок не используется, храните его отдельно от металлических предметов, таких как скрепки, монеты, ключи, гвозди, шурупы или другие небольшие металлические предметы, которые могут привести к закорачиванию контактов аккумуляторного блока между собой. Короткое замыкание между контактами аккумуляторного блока может привести к ожогам или пожару.
4. При неправильном обращении из аккумуляторного блока может потечь жидкость. Избегайте контакта с ней. В случае контакта с кожей промойте место контакта обильным количеством воды. В случае попадания в глаза обратитесь к врачу. Жидкость из аккумулятора может вызвать раздражение или ожоги.
5. Не используйте поврежденные или модифицированные инструменты и аккумуляторные блоки. Поврежденные или модифицированные аккумуляторы могут работать некорректно, что может привести к пожару, взрыву или травмированию.
6. Не подвергайте аккумуляторный блок или инструмент воздействию огня или высокой температуры. Воздействие огня или температуры выше 130 °C может привести к взрыву.
7. Следуйте всем инструкциям по зарядке и не заряжайте аккумуляторный блок или инструмент при температурных условиях, выходящих за пределы диапазона, указанного в инструкции. Зарядка ненадлежащим образом или при температурных условиях, выходящих за пределы указанного диапазона, может привести к повреждению батареи и повысить риск пожара.

## Электробезопасность

1. Не бросайте аккумуляторные блоки в огонь. Они могут взорваться. Уточните местные правила утилизации аккумуляторов.
2. Не вскрывайте и не разбивайте аккумуляторы. Содержащийся в них электролит очень едкий, вы можете повредить глаза или кожу. При проглатывании это вещество может вызвать отравление.
3. Не заряжайте аккумулятор под дождем или в местах с повышенной влажностью.
4. Не заряжайте аккумулятор на улице.
5. Не касайтесь зарядного устройства, а также вставки и контактов зарядного устройства влажными руками.
6. Запрещается заменять аккумулятор под дождем.
7. Избегайте смачивания клемм аккумулятора жидкостью, например водой, и не допускайте погружения аккумулятора в жидкость. Запрещается оставлять аккумулятор под дождем, заряжать, использовать или хранить аккумулятор в местах с повышенной влажностью. Мокрые клеммы или попадание жидкости внутрь аккумулятора могут привести к короткому замыканию аккумулятора, его перегреву, возгоранию или взрыву.

8. После извлечения аккумулятора из газонокосилки или зарядного устройства обязательно присоедините к аккумулятору крышку отсека аккумулятора и оставьте его в сухом месте.
9. Запрещается выполнять замену аккумулятора мокрыми руками.

#### Сервисное обслуживание

1. Сервисное обслуживание электроинструмента должно проводиться только квалифицированным специалистом по ремонту и только с использованием идентичных запасных частей. Это позволит обеспечить безопасность электроинструмента.
2. Запрещается обслуживать поврежденные аккумуляторные блоки. Обслуживание аккумуляторных блоков должен осуществлять только производитель или авторизованные поставщики услуг.

## СОХРАНИТЕ ДАННЫЕ ИНСТРУКЦИИ.

**▲ОСТОРОЖНО:** НЕ ДОПУСКАЙТЕ, чтобы удобство или опыт эксплуатации данного устройства (полученный от многократного использования) доминировали над строгим соблюдением правил техники безопасности при обращении с этим устройством.

**НЕПРАВИЛЬНОЕ ИСПОЛЬЗОВАНИЕ** инструмента или несоблюдение правил техники безопасности, указанных в данном руководстве, может привести к тяжелой травме.

### Важные правила техники безопасности для работы с аккумуляторным блоком

1. Перед использованием аккумуляторного блока прочитайте все инструкции и предупреждающие надписи на (1) зарядном устройстве, (2) аккумуляторном блоке и (3) инструменте, работающем от аккумуляторного блока.
2. Не разбирайте блок аккумулятора и не меняйте его конструкцию. Это может привести к пожару, перегреву или взрыву.
3. Если время работы аккумуляторного блока значительно сократилось, немедленно прекратите работу. В противном случае, может возникнуть перегрев блока, что приведет к ожогам и даже к взрыву.
4. В случае попадания электролита в глаза промойте их обильным количеством чистой воды и немедленно обратитесь к врачу. Это может привести к потере зрения.
5. Не замыкайте контакты аккумуляторного блока между собой:
  - (1) Не прикасайтесь к контактам какими-либо токопроводящими предметами.
  - (2) Не храните аккумуляторный блок в контейнере вместе с другими металлическими предметами, такими как гвозди, монеты и т. п.
- (3) Не допускайте попадания на аккумуляторный блок воды или дождя. Замыкание контактов аккумуляторного блока между собой может привести к возникновению большого тока, перегреву, возможным ожогам и даже поломке блока.
6. Не храните и не используйте инструмент и аккумуляторный блок в местах, где температура может достигать или превышать 50 °C (122 °F).
7. Не бросайте аккумуляторный блок в огонь, даже если он сильно поврежден или полностью вышел из строя. Аккумуляторный блок может взорваться под действием огня.
8. Запрещено вбивать гвозди в блок аккумулятора, резать, ломать, бросать, ронять блок аккумулятора или ударять его твердым предметом. Это может привести к пожару, перегреву или взрыву.
9. Не используйте поврежденный аккумуляторный блок.
10. Входящие в комплект литий-ионные аккумуляторы должны эксплуатироваться в соответствии с требованиями законодательства об опасных товарах. При коммерческой транспортировке, например, третьей стороной или экспедитором, необходимо нанести на упаковку специальные предупреждения и маркировку. В процессе подготовки устройства к отправке обязательно проконсультируйтесь со специалистом по опасным материалам. Также соблюдайте местные требования и нормы. Они могут быть строже. Закройте или закрепите разомкнутые контакты и упакуйте аккумулятор так, чтобы он не перемещался по упаковке.
11. Для утилизации блока аккумулятора извлеките его из инструмента и утилизируйте безопасным способом. Выполняйте требования местного законодательства по утилизации аккумуляторного блока.
12. Используйте аккумуляторы только с продукцией, указанной Makita. Установка аккумуляторов на продукцию, не соответствующую требованиям, может привести к пожару, перегреву, взрыву или утечке электролита.
13. Если инструментом не будут пользоваться в течение длительного периода времени, извлеките аккумулятор из инструмента.
14. Во время и после использования блок аккумулятора может нагреваться, что может стать причиной ожогов или низкотемпературных ожогов. Будьте осторожны при обращении с горячим блоком аккумулятора.
15. Не прикасайтесь к контактам инструмента сразу после использования, поскольку они могут быть достаточно горячими, чтобы вызвать ожоги.
16. Не допускайте, чтобы обломки, пыль или земля прилипали к контактам, отверстиям и пазам на блоке аккумулятора. Это может привести к снижению эксплуатационных параметров, поломке инструмента или блока аккумулятора.

- Если инструмент не рассчитан на использование вблизи высоковольтных линий электропередач, не используйте блок аккумулятора вблизи высоковольтных линий электропередач. Это может привести к неисправности, поломке инструмента или блока аккумулятора.
- Храните аккумулятор в недоступном для детей месте.

## СОХРАНИТЕ ДАННЫЕ ИНСТРУКЦИИ.

**▲ВНИМАНИЕ:** Используйте только фирменные аккумуляторные батареи Makita. Использование аккумуляторных батарей, не произведенных Makita, или батарей, которые были подвергнуты модификациям, может привести к взрыву аккумулятора, пожару, травмам и повреждению имущества. Это также автоматически аннулирует гарантию Makita на инструмент и зарядное устройство Makita.

## Советы по обеспечению максимального срока службы аккумулятора

- Заряжайте блок аккумуляторов перед его полной разрядкой. Обязательно прекратите работу с инструментом и зарядите блок аккумуляторов, если вы заметили снижение мощности инструмента.
- Никогда не подзаряжайте полностью заряженный блок аккумуляторов. Перезарядка сокращает срок службы аккумулятора.
- Заряжайте блок аккумуляторов при комнатной температуре в 10 - 40 °C (50 - 104 °F). Перед зарядкой горячего блока аккумулятора дайте ему остыть.
- Если блок аккумулятора не используется, извлеките его из инструмента или зарядного устройства.
- Зарядите ионно-литиевый аккумуляторный блок, если вы не будете пользоваться инструментом длительное время (более шести месяцев).

## СБОРКА

**▲ОСТОРОЖНО:** Прежде чем выполнять какие-либо операции с газонокосилкой, убедитесь, что ключ блокировки и блок аккумулятора извлечены. Несоблюдение этого требования может привести к тяжелой травме в результате случайного пуска инструмента.

**▲ОСТОРОЖНО:** Не запускайте частично собранную газонокосилку. Использование машины в частично собранном виде может стать причиной тяжелой травмы в результате случайного пуска.

## Установка рукоятки

**ПРИМЕЧАНИЕ:** При установке рукояток расположите провода так, чтобы они не защемлялись между рукоятками. Если шнур поврежден, выключатель косилки не будет работать.

- Совместите отверстия в нижней ручке с отверстиями в корпусе газонокосилки и временно затяните 4 болта.  
► **Рис.1:** 1. Нижняя рукоятка 2. Болт
- Плотно затяните 4 болта, которые были временно затянуты на этапе 1, торцевым ключом на 13.
- Совместите отверстие в нижней ручке с отверстием в верхней ручке, вставьте болт изнутри и затяните гайку снаружи торцевым ключом на 13. Выполните ту же процедуру на другой стороне.  
► **Рис.2:** 1. Болт 2. Нижняя рукоятка 3. Гайка 4. Отверстие 5. Верхняя рукоятка

**▲ВНИМАНИЕ:** Крепко удерживайте верхнюю рукоятку, чтобы она не выскользнула из вашей руки. Несоблюдение данного требования может привести к получению травм при падении рукоятки.

- Присоедините держатели к рукоятке. Совместите выступы на держателе с отверстиями на ручке, чтобы выступы вошли в отверстия. Расположите шнуры, как показано на рисунке.  
► **Рис.3:** 1. Шнур 2. Держатель

## Удаление вставки для мульчирования

- Откройте заднюю крышку.  
► **Рис.4:** 1. Задняя крышка
- Снимите вставку для мульчирования, удерживая нажатый рычаг.  
► **Рис.5:** 1. Рычаг 2. Вставка для мульчирования

## Установка или удаление корзины для травы

Установка корзины для травы выполняется по указанной далее процедуре.

- Откройте заднюю крышку.  
► **Рис.6:** 1. Задняя крышка
- Удерживая рукоятку корзины для травы, зацепите корзину для травы за стержень корпуса газонокосилки, как показано на рисунке.  
► **Рис.7:** 1. Стержень 2. Рукоятка 3. Корзина для травы

Для снятия корзины для травы откройте заднюю крышку и извлеките корзину для травы, удерживая рукоятку.

## Установка вставки для мульчирования

- Откройте заднюю крышку и снимите корзину для травы.  
► **Рис.8:** 1. Задняя крышка 2. Корзина для травы
- Отожмите вниз фиксатор на вставке для мульчирования и установите насадку, а затем отпустите фиксатор, чтобы зафиксировать вставку.  
► **Рис.9:** 1. Рычаг 2. Вставка для мульчирования

## Установка насадки для выброса травы

### Действия при работе с DLM530/DLM532

1. Откройте заднюю крышку и снимите корзину для травы.

► **Рис.10:** 1. Задняя крышка 2. Корзина для травы

2. Отожмите вниз фиксатор на вставке для мульчирования и установите насадку, а затем отпустите фиксатор, чтобы зафиксировать вставку.

► **Рис.11:** 1. Рычаг 2. Вставка для мульчирования

3. Откройте правую боковую крышку и установите насадку для выброса травы.

Вставьте крючки насадки для выброса травы под стержнем правой боковой крышки.

► **Рис.12:** 1. Правая боковая крышка 2. Насадка для выброса травы

## ОПИСАНИЕ РАБОТЫ

### Установка или снятие блока аккумуляторов

**▲ВНИМАНИЕ:** Перед установкой и извлечением блока аккумулятора выключайте машину.

**▲ВНИМАНИЕ:** При установке и извлечении блока аккумулятора крепко удерживайте машину и блок аккумулятора. Если не удерживать машину и блок аккумулятора крепко, они могут выскользнуть из рук, что приведет к повреждению машины и блока аккумулятора, а также травмированию оператора.

**▲ВНИМАНИЕ:** Перед использованием убедитесь, что заперли крышку блока аккумулятора. В противном случае грязь, мусор или вода могут повредить изделие или блок аккумулятора.

**▲ВНИМАНИЕ:** Обязательно устанавливайте блок аккумулятора до конца таким образом, чтобы красный индикатор не был виден. В противном случае блок может выпасть из машины и нанести травму вам или другим людям.

**▲ВНИМАНИЕ:** Не прилагайте чрезмерных усилий при установке блока аккумулятора. Если блок не двигается свободно, значит он вставлен неправильно.

**ПРИМЕЧАНИЕ:** Машина не будет работать только с одним блоком аккумулятора.

### Чтобы установить блок аккумулятора:

1. Потяните вверх стопорный рычаг и откройте крышку отсека аккумулятора.

► **Рис.13:** 1. Крышка аккумуляторной батареи 2. Стопорный рычаг

2. Совместите язычок на блоке аккумулятора с канавкой на машине и вставьте блок до легкого щелчка.

► **Рис.14:** (1) Аккумуляторный отсек 1 (2) Аккумуляторный отсек 2 (3) Блок аккумулятора

**ПРИМЕЧАНИЕ:** Установите как минимум 2 блока аккумулятора в аккумуляторный отсек 1 или 2.

3. Вставьте ключ блокировки до упора в точку, показанной на рисунке.

► **Рис.15:** 1. Ключ блокировки

4. Закройте крышку аккумулятора и нажмите на нее до фиксации рычагом блокировки.

### Снятие блока аккумулятора

1. Потяните вверх стопорный рычаг и откройте крышку аккумуляторного отсека.

2. Потяните блок аккумулятора из машины, удерживая нажатой кнопку на лицевой стороне, и извлеките блок.

3. Извлеките ключ блокировки.

4. Закройте крышку аккумулятора.

### Переключение блоков аккумулятора

► **Рис.16:** 1. Переключатель аккумуляторов

В этой машине для работы одновременно используется 2 блока аккумулятора. В машину можно установить до 4 блоков аккумулятора. Перед началом эксплуатации машины выберите аккумуляторный отсек 1 или 2, повернув переключатель аккумуляторов.

**ПРИМЕЧАНИЕ:** Если на машину установлено только 2 блока аккумулятора, выберите аккумуляторный отсек, в который установлены блоки аккумулятора, с помощью переключателя аккумуляторов.

### Система защиты машины / аккумулятора

На машине предусмотрена система защиты машины / аккумулятора. Эта система автоматически отключает питание двигателя для продления срока службы машины и аккумулятора. Машина автоматически отключится в указанных далее случаях, влияющих на работу самой машины или аккумулятора.

### Защита от перегрузки

Если из-за способа эксплуатации аккумулятор потребляет anomalно высокий ток, машина автоматически выключится, а основной индикатор питания начнет мигать зеленым. В этом случае отключите машину и прекратите работу, из-за которой произошла перегрузка. Затем включите машину для перезапуска.

### Защита от перегрева

При перегреве машины или аккумулятора машина автоматически останавливается, а основной индикатор питания начинает гореть красным. В этом случае дайте машине и аккумулятору остыть перед повторным включением.

## Защита от переразрядки

Если емкости аккумулятора недостаточно, машина остановится автоматически, а основной индикатор питания начнет мигать красным. В этом случае следует извлечь из машины аккумулятор и зарядить блоки аккумуляторов или заменить их на полностью заряженные.

### Индикация оставшегося заряда аккумулятора

Только для блоков аккумулятора с индикатором

► Рис.17: 1. Индикаторы 2. Кнопка проверки

Нажмите кнопку проверки на аккумуляторном блоке для проверки заряда. Индикаторы загорятся на несколько секунд.

Индикаторы			Уровень заряда
Горит	Выкл.	Мигает	
■	□	▬	от 75 до 100%
■	■	□	от 50 до 75%
■	□	□	от 25 до 50%
■	□	□	от 0 до 25%
▬	□	□	Зарядите аккумуляторную батарею.
■	□	□	Возможно, аккумуляторная батарея неисправна.
□	□	■	

**ПРИМЕЧАНИЕ:** В зависимости от условий эксплуатации и температуры окружающего воздуха индикация может незначительно отличаться от фактического значения.

### Панель управления

На панели управления находятся главный переключатель питания, кнопка переключения режимов и индикатор емкости аккумулятора.

► Рис.18: 1. Индикатор аккумулятора 2. Индикатор переключения режимов 3. Основной индикатор питания 4. Кнопка проверки 5. Кнопка переключения режимов 6. Главный переключатель питания

### Главный переключатель питания

**▲ ОСТОРОЖНО:** Держите основной переключатель питания выключенным, когда он не используется.

Для включения устройства нажмите главный переключатель питания. Основной индикатор питания загорится зеленым светом. Для выключения устройства нажмите главный переключатель питания еще раз.

**ПРИМЕЧАНИЕ:** Если основной индикатор питания загорится красным или начнет мигать красным или зеленым, см. раздел инструкций по системе защиты машины или аккумулятора.

**ПРИМЕЧАНИЕ:** Эта машина оснащена функцией автоматического отключения. Для предотвращения случайного запуска главный переключатель питания автоматически отключается, если не нажимать рычажный выключатель и рычаг привода (если установлены) в течение определенного периода времени после включения главного переключателя питания.

### Кнопка переключения режимов

Переключить режим работы можно нажатием кнопки переключения режимов. После включения машины она начинает работу в нормальном режиме. При нажатии кнопки переключения режимов машина переключается в режим снижения уровня шума, а индикатор переключения режимов загорается зеленым светом. В режиме снижения уровня шума можно уменьшить уровень шума при скашивании. Если нажать кнопку переключения режимов еще раз, машина снова перейдет в нормальный режим.

### Индикация оставшегося заряда аккумулятора

Нажмите кнопку проверки для проверки заряда аккумулятора. Индикаторы соответствуют каждому аккумулятору.

Состояние индикатора аккумуляторной батареи		Уровень емкости аккумулятора
Вкл.	Выкл.	
		50 - 100 %
		20 - 50 %
		0 - 20 %

**ПРИМЕЧАНИЕ:** Показания индикаторов оставшейся емкости аккумулятора могут использоваться только в качестве ориентировочных данных. Фактическая емкость аккумулятора может отличаться в зависимости от условий использования.

**ПРИМЕЧАНИЕ:** Остановите машину, прежде чем нажимать кнопку проверки заряда аккумулятора.

## Действие выключателя

**⚠ ОСТОРОЖНО:** Перед установкой блока аккумулятора обязательно убедитесь в том, что рычажный выключатель работает правильно и возвращается в исходное положение после отпускания. Эксплуатация машины с неисправным переключателем может привести к потере контроля над ней и получению тяжелой травмы.

**ПРИМЕЧАНИЕ:** Если не нажать кнопку включения, газонокосилка не запустится, даже если потянуть рычажный выключатель.

**ПРИМЕЧАНИЕ:** Газонокосилка может не запуститься по причине перегрузки, если вы косите высокую или густую траву. В таком случае увеличьте высоту стрижки.

Эта газонокосилка оснащена ключом блокировки и рукояткой с выключателем. Заметив какие-либо отклонения в работе ключа блокировки или выключателя, немедленно прекратите работу и проверьте их в ближайшем авторизованном сервисном центре Makita.

### Действия при работе с DLM462/DLM532

1. Установите блоки аккумуляторов. Вставьте ключ блокировки и закройте крышку отсека аккумулятора.
2. Выберите блоки аккумуляторов для работы, повернув переключатель аккумуляторов.
3. Нажмите главный переключатель питания.
4. Потяните рычажный выключатель к себе, удерживая кнопку включения / выключения питания. Как только двигатель заработает, отпустите кнопку включения.

► **Рис.19:** 1. Кнопка включения 2. Рычаг переключателя

**ПРИМЕЧАНИЕ:** Если ключ блокировки не вставлен, при нажатии на пусковой рычаг индикатор питания начнет мигать зеленым.

5. Удерживая рычажный выключатель, нажмите рычаг привода вперед и удерживайте для снятия блокировки задних колес.

► **Рис.20:** 1. Рычаг привода

**ПРИМЕЧАНИЕ:** Задние колеса можно привести в движение, нажав рычаг привода вперед и удерживая его без нажатия рычажного выключателя.

6. Чтобы остановить машину, отпустите рычаг привода и рычажный выключатель.

### Действия при работе с DLM530

1. Установите блоки аккумуляторов. Вставьте ключ блокировки и закройте крышку отсека аккумулятора.
2. Выберите блоки аккумуляторов для работы, повернув переключатель аккумуляторов.
3. Нажмите главный переключатель питания.

4. Потяните рычажный выключатель к себе, удерживая кнопку включения / выключения питания. Как только двигатель заработает, отпустите кнопку включения.

► **Рис.21:** 1. Кнопка включения 2. Рычаг переключателя

**ПРИМЕЧАНИЕ:** Если ключ блокировки не вставлен, при нажатии на пусковой рычаг индикатор питания начнет мигать зеленым.

5. Для выключения двигателя отпустите рычажный выключатель.

## Регулировка высоты стрижки

**⚠ ОСТОРОЖНО:** При регулировке высоты стрижки не подсовывайте руку или ногу под газонокосилку.

**⚠ ОСТОРОЖНО:** Перед началом работы обязательно проверьте, что рычаг хорошо входит в паз.

Высоту скашивания можно регулировать в диапазоне от 20 мм до 100 мм.

Вытащите ключ блокировки, потяните рычаг регулировки высоты скашивания наружу относительно корпуса газонокосилки и переместите его в положение, соответствующее желаемой высоте скашивания.

► **Рис.22:** 1. Рычаг регулировки высоты скашивания

В таблице ниже показано соотношение цифр на корпусе газонокосилки и приблизительной высоты скашивания.

Цифра	Высота скашивания
1	20 мм
2	26 мм
3	32 мм
4	39 мм
5	47 мм
6	55 мм
7	63 мм
8	74 мм
9	86 мм
10	100 мм

Возьмитесь одной рукой за переднюю рукоятку или нижнюю рукоятку и перемещайте рычаг регулировки высоты скашивания второй рукой.

► **Рис.23:** 1. Рычаг регулировки высоты скашивания 2. Нижняя рукоятка 3. Передняя рукоятка

**ПРИМЕЧАНИЕ:** Значения высоты стрижки приведены только для справки. В зависимости от состояния газона и почвы конечная высота скошенной травы может незначительно отличаться от заданной.

**ПРИМЕЧАНИЕ:** Чтобы добиться желаемой высоты, выполните пробное скашивание на не слишком заметном участке газона.

## Индикатор уровня травы

Индикатор уровня травы показывает объем скошенной травы. Если корзина для травы не заполнена до верха, индикатор перемещается во время работы лезвий.

► **Рис.24:** 1. Индикатор уровня травы

Если корзина для травы почти заполнена, индикатор не перемещается во время работы лезвий. В этом случае немедленно прекратите работу и опорожните корзину.

► **Рис.25:** 1. Индикатор уровня травы

**ПРИМЕЧАНИЕ:** Данный индикатор показывает приблизительный объем. В зависимости от условий внутри корзины индикатор может работать с ошибками.

## Регулировка высоты рукоятки

**⚠ВНИМАНИЕ:** Прежде чем удалить болты, крепко возьмитесь за верхнюю рукоятку. Несоблюдение данного требования может привести к получению травм при падении рукоятки.

Рукоятка имеет двухступенчатую регулировку высоты.

1. Удалите верхние болты нижней рукоятки торцевым ключом на 13 и ослабьте нижние болты.

► **Рис.26:** 1. Верхний болт 2. Нижний болт

2. Отрегулируйте высоту ручки и плотно затяните верхний и нижний болты.

## Регулировка скорости передвижения

**Действия при работе с DLM462/DLM532**

► **Рис.27:** 1. Рычаг регулировки скорости

Скорость передвижения можно отрегулировать рычагом регулировки скорости. Для уменьшения скорости потяните рычаг на себя, для увеличения скорости нажмите рычаг вперед.

## Использование вставки для мульчирования

Вставка для мульчирования позволяет сбрасывать измельченную траву обратно на газон без сбора в корзину для травы. При работе с машиной, на которой установлена вставка для мульчирования, снимите корзину для травы.

**ПРИМЕЧАНИЕ:** При использовании машины со вставкой для мульчирования убедитесь в том, что общая длина травы после срезания составляет не менее 30 мм, а длина среза – не более 15 мм.

► **Рис.28:** (1) 30 мм или больше (2) 15 мм или меньше

## Использование насадки для выброса травы

**Действия при работе с DLM530/DLM532**

Насадка для выброса травы позволяет сбрасывать измельченную траву обратно на газон с правой стороны газонокосилки, не собирая ее в корзину для травы. При работе с насадкой для выброса травы установите вставку для мульчирования и снимите корзину для травы.

## Электронная функция

Для простоты эксплуатации устройство оснащено электронными функциями.

- **Постоянное управление скоростью вращения лезвия**  
Электронное управление скоростью инструмента для достижения постоянной скорости. Возможность получения тонкой отделки, так как скорость вращения держится на постоянном уровне даже при условиях нагрузки.
- **Плавный запуск во время приведения в движение**  
Функция плавного запуска уменьшает пусковой удар и смягчает запуск устройства.
- **Электрический тормоз**  
Эта машина оснащена электрическим тормозом. Если после отпущения рычажного выключателя не каждый раз происходит быстрая остановка лезвий газонокосилки, отправьте машину в официальный сервисный центр Makita для обслуживания.

## ЭКСПЛУАТАЦИЯ

### Скашивание

**⚠ОСТОРОЖНО:** Перед скашиванием убедитесь, что газона ветки и камни. Кроме того, заблаговременно очистите газон от сорняков.

**⚠ОСТОРОЖНО:** При использовании газонокосилки обязательно надевайте защитные очки с боковыми щитками.

**⚠ВНИМАНИЕ:** Если внутри корпуса газонокосилки набилась скошенная трава или посторонние предметы, перед очисткой корпуса обязательно вытаскивайте ключ блокировки и блок аккумулятора и наденьте перчатки.

**ПРИМЕЧАНИЕ:** Используйте машину только для стрижки газонов. Не используйте ее для скашивания сорняков.

► **Рис.29**

Во время работы крепко удерживайте рукоятку обеими руками. Рекомендованная скорость скашивания составляет приблизительно от 7 до 14 метров за 10 секунд.

► **Рис.30**

Центральные линии на передних колесах показывают ширину полосы скашивания. Используйте их в качестве направляющих, косите полосами. Чтобы равномерно подстричь газон, захватывайте половину или третью часть предыдущей полосы.

► **Рис.31:** 1. Ширина скашивания 2. Зона захвата 3. Центральная линия

Каждый раз меняйте направление движения, чтобы избежать пригибания травы в одном направлении.

► **Рис.32**



Периодически проверяйте степень заполнения корзины для травы. Опорожните корзину, прежде чем она заполнится полностью. Перед каждой проверкой обязательно останавливайте газонокосилку и извлеките ключ блокировки и блок аккумулятора.

**ПРИМЕЧАНИЕ:** Эксплуатация газонокосилки с заполненной корзиной для травы мешает плавному вращению лезвия и оказывает дополнительную нагрузку на двигатель, что может привести к поломке.

## Скашивание высокой травы

Не старайтесь скосить длинную траву за один заход. Вместо этого выполняйте работу в несколько этапов. Стригите газон с интервалом в неделю или два дня до тех пор, пока он не станет ровным.

► **Рис.33**

**ПРИМЕЧАНИЕ:** Скашивание высокой травы за один проход может стать причиной ее засыхания. Скошенная трава также может застрять в корпусе косилки.

## Опорожнение корзины для травы

**▲ ОСТОРОЖНО:** Чтобы снизить риск несчастного случая, регулярно проверяйте корзину для травы на предмет повреждений и потери прочности. При необходимости замените ее.

1. Отпустите рычажный выключатель и рычаг привода (для DLM462/DLM532) или отпустите рычажный выключатель (для DLM530).
2. Извлеките ключ блокировки.
3. Откройте заднюю крышку и извлеките корзину для травы за специальную рукоятку.  
► **Рис.34:** 1. Задняя крышка 2. Ручка 3. Корзина для травы
4. Опорожните корзину для травы.

## ОБСЛУЖИВАНИЕ

**▲ ОСТОРОЖНО:** Перед помещением на хранение, переноской, осмотром или техническим обслуживанием газонокосилки обязательно вынимайте ключ блокировки и блок аккумулятора.

**▲ ОСТОРОЖНО:** Если газонокосилка не используется, обязательно извлеките ключ блокировки. Храните ключ блокировки в безопасном месте, недоступном для детей.

**▲ ОСТОРОЖНО:** При осмотре и обслуживании надевайте защитные перчатки.

**▲ ОСТОРОЖНО:** При осмотре и техническом обслуживании газонокосилки обязательно надевайте защитные очки с боковыми щитками.

**ПРИМЕЧАНИЕ:** Запрещается использовать бензин, растворители, спирт и другие подобные жидкости. Это может привести к обесцвечиванию, деформации и трещинам.

Для обеспечения БЕЗОПАСНОСТИ и НАДЕЖНОСТИ оборудования ремонт, любое другое техобслуживание или регулировку необходимо производить в уполномоченных сервис-центрах Makita или сервис-центрах предприятия с использованием только сменных частей производства Makita.

## Обслуживание

1. Вытащите ключ блокировки и блоки аккумулятора и закройте крышку отсека аккумулятора.
2. Положите газонокосилку на бок, чтобы рычаг регулировки высоты скашивания оказался сверху. Удалите обрезки травы с днища газонокосилки.
3. Вода должна стекать к нижней части устройства, где крепится лезвие.

**ПРИМЕЧАНИЕ:** Запрещается мыть устройство струей воды с высоким напором.

4. Проверьте надежность затяжки всех гаек, болтов, винтов и т. п.
5. Осмотрите подвижные части на предмет повреждений, поломок и износа. Необходимо отремонтировать или заменить поврежденные компоненты.
6. Храните газонокосилку в безопасном месте, недоступном для детей.

### Действия при работе с DLM462/DLM532

**ПРИМЕЧАНИЕ:** Не допускайте попадания воды на зону, показанную на рисунке. Попадание воды на узел двигателя может привести к неисправности машины.

- **Рис.35:** 1. Зона, куда не следует допускать попадания воды

## Переноска газонокосилки

При переноске газонокосилки два человека должны удерживать ее за переднюю рукоятку и за заднюю рукоятку, как показано на рисунке.

- **Рис.36:** 1. Передняя рукоятка 2. Задняя рукоятка

## Хранение

Храните газонокосилку в помещении, в сухом, прохладном, запираемом месте. Не храните газонокосилку и зарядное устройство в местах, где температура может подниматься до 40 °C и выше.

## Снятие или установка лезвия косилки

**⚠ОСТОРОЖНО:** После отпущения выключателя лезвие продолжает вращаться по инерции в течение нескольких секунд. Не приступайте к выполнению каких-либо операций, пока лезвие полностью не остановится.

**⚠ОСТОРОЖНО:** Обязательно извлекайте ключ блокировки и блок аккумулятора при снятии и установке лезвия. Невыполнение этого требования может привести к тяжелой травме.

**⚠ОСТОРОЖНО:** При работе с лезвием обязательно надевайте защитные перчатки.

## Снятие лезвия газонокосилки

### Для моделей, оснащенных прямым лезвием газонокосилки

1. Положите газонокосилку на бок, чтобы рычаг регулировки высоты стрижки оказался сверху.
2. Чтобы заблокировать лезвие, вставьте штифт в отверстие на корпусе газонокосилки.
3. Открутите болт против часовой стрелки торцевым ключом на 17.  
► **Рис.37:** 1. Лезвие газонокосилки 2. Штифт 3. Торцевой ключ
4. Выкрутите болт, а затем снимите лезвие газонокосилки.  
► **Рис.38:** 1. Опора лезвия 2. Лезвие газонокосилки 3. Болт 4. Выступ

**ПРИМЕЧАНИЕ:** Во время установки лезвия газонокосилки убедитесь в том, что выступы на опоре лезвия входят в отверстия на лезвии газонокосилки.

### Для моделей, оснащенных откидными лезвиями газонокосилки

1. Положите газонокосилку на бок, чтобы рычаг регулировки высоты стрижки оказался сверху.
2. Для блокировки плиты основания вставьте штифт в отверстие на корпусе газонокосилки через отверстие на плите основания.
3. Открутите болт против часовой стрелки торцевым ключом на 17.  
► **Рис.39:** 1. Штифт 2. Плита основания 3. Торцевой ключ
4. Выкрутите болт, а затем снимите плиту основания.  
► **Рис.40:** 1. Опора лезвия 2. Плита основания 3. Болт 4. Выступ

**ПРИМЕЧАНИЕ:** Во время установки лезвий газонокосилки убедитесь в том, что выступы на опоре лезвия входят в отверстия на плите основания.

5. Чтобы снять отдельное лезвие газонокосилки, поверните болт против часовой стрелки торцевым ключом на 17, удерживая плиту основания.

► **Рис.41:** 1. Плита основания 2. Лезвие газонокосилки 3. Торцевой ключ

6. Последовательно удалите гайку, шайбу, пружинную шайбу, лезвие газонокосилки и болт.

► **Рис.42:** 1. Отверстие под болт 2. Болт 3. Лезвие газонокосилки 4. Пружинная шайба 5. Шайба 6. Гайка

**ПРИМЕЧАНИЕ:** Гайки для установки отдельных лезвий газонокосилки следует затягивать с моментом 30 Н•м.

**ПРИМЕЧАНИЕ:** Во время установки отдельного лезвия газонокосилки не забудьте установить пружинную шайбу в направлении, показанном на рисунке.

**ПРИМЕЧАНИЕ:** Во время установки отдельного лезвия газонокосилки не забудьте вставить болты в отверстия под болты, показанные на рисунке.

## Установка лезвия газонокосилки

**⚠ОСТОРОЖНО:** Осторожно установите лезвие газонокосилки. Лезвие имеет верхнюю и нижнюю сторону.

**⚠ОСТОРОЖНО:** Надежно затяните болт по часовой стрелке, чтобы зафиксировать лезвие.

**⚠ОСТОРОЖНО:** Убедитесь в том, что лезвие газонокосилки и все крепежные детали установлены правильно и надежно затянуты.

**⚠ОСТОРОЖНО:** При замене лезвий всегда следуйте инструкциям, приведенным в этом руководстве.

**ПРИМЕЧАНИЕ:** После установки лезвий газонокосилки извлеките штифт из корпуса газонокосилки.

Установка лезвий газонокосилки выполняется в порядке, обратном процедуре снятия.

# ПОИСК И УСТРАНЕНИЕ НЕИСПРАВНОСТЕЙ

Прежде чем обращаться по поводу ремонта, проведите осмотр самостоятельно. Если обнаружена неисправность, не указанная в руководстве, не пытайтесь разобрать инструмент. Обратитесь в один из авторизованных сервисных центров Makita, в которых для ремонта используются только оригинальные детали Makita.

Состояние неисправности	Возможная причина (неисправности)	Способ устранения
Газонокосилка не запускается.	Не установлены два блока аккумулятора.	Установите два заряженных блока аккумулятора.
	Неисправен аккумулятор (пониженное напряжение)	Зарядите блок аккумулятора. Если перезарядка не помогает, замените блок аккумулятора.
	Ключ блокировки не вставлен.	Вставьте ключ блокировки.
После непродолжительного использования двигатель останавливается.	Переключатель аккумуляторов находится в неправильном положении.	Переключателем аккумуляторов выберите аккумуляторный отсек, в который установлены блоки аккумулятора.
	Низкий уровень заряда аккумулятора.	Зарядите блок аккумулятора. Если перезарядка не помогает, замените блок аккумулятора.
	Установлена слишком малая высота срезания.	Увеличьте высоту срезания.
Двигатель не достигает максимальной частоты вращения.	Засорение газонокосилки срезанной травой.	Удалите траву из газонокосилки.
	Неправильно установлен блок аккумулятора.	Вставьте блок аккумулятора, как описано в этом руководстве.
	Заряд аккумулятора падает.	Зарядите блок аккумулятора. Если перезарядка не помогает, замените блок аккумулятора.
Лезвие газонокосилки не вращается: ⇒ немедленно выключите косилку!	Привод работает неправильно.	Обратитесь в местный авторизованный центр для ремонта.
	Посторонний объект (например, ветка) застрял рядом с лезвием.	Удалите посторонний предмет.
Сильная вибрация: ⇒ немедленно выключите косилку!	Привод работает неправильно.	Обратитесь в местный авторизованный центр для ремонта.
	Лезвие разбалансировано, изношено слишком сильно или неравномерно.	Замените лезвие.

## ДОПОЛНИТЕЛЬНЫЕ ПРИНАДЛЕЖНОСТИ

**⚠ ВНИМАНИЕ:** Эти принадлежности или насадки рекомендованы для использования с машиной Makita, указанной в этом руководстве. Использование других принадлежностей или насадок может привести к травме. Используйте принадлежность или насадку только по назначению.

Если вам необходимо содействие в получении дополнительной информации по этим принадлежностям, свяжитесь с вашим сервис-центром Makita.

- Лезвие газонокосилки
- Оригинальный аккумулятор и зарядное устройство Makita

**ПРИМЕЧАНИЕ:** Некоторые элементы из списка могут входить в комплект машины в качестве стандартных принадлежностей. Они могут различаться в зависимости от страны.

**Makita Europe N.V.** Jan-Baptist Vinkstraat 2,  
3070 Kortenberg, Belgium

**Makita Corporation** 3-11-8, Sumiyoshi-cho,  
Anjo, Aichi 446-8502 Japan

[www.makita.com](http://www.makita.com)

885760A964  
EN, SL, SQ, BG,  
HR, MK, SR, RO,  
UK, RU  
20200324