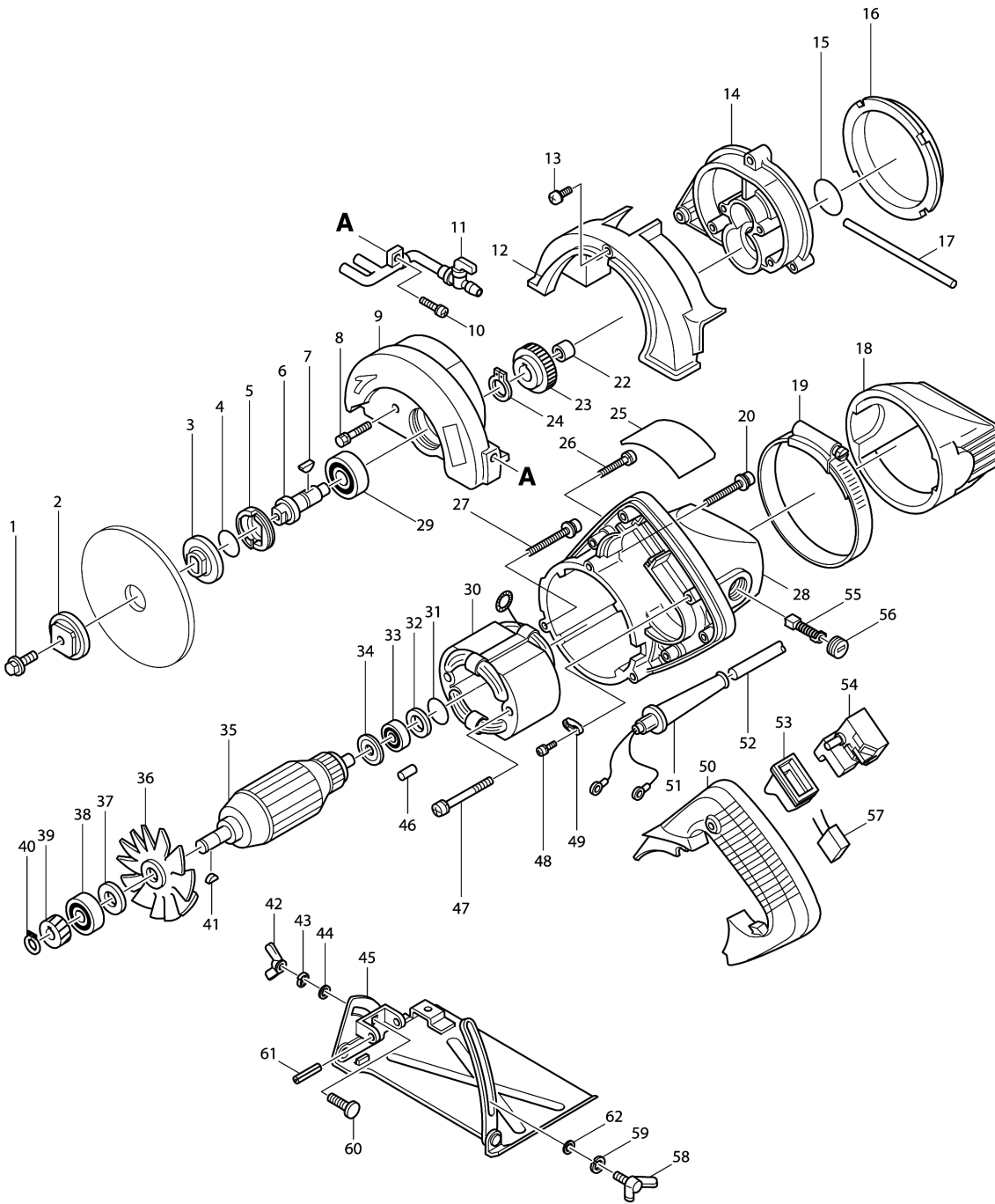


Model No.4101RH CUTTER 125MM



Model No.4101RH CUTTER 125MM

Item	Parts No.	Description	I/C	Qty	New/Old	Opt. 1	Opt. 2	Note
001	266133-3	HEX. SOCKET HEAD BOLT M6X20		1				
002	224081-2	OUTER FLANGE 36		1				
003	224080-4	INNER FLANGE 36		1				
004	213255-0	O RING 18		1				
005	285815-8	BEARING RETAINER 19-33		1				
006	321197-5	SPINDLE		1				
007	254001-2	WOODRUFF KEY 4		1				
008	925146-0	+ HEX. BOLT M4X25		4				
009	150179-8	BLADE CASE COMPLETE		1	*			
C10	817667-5	CAUTION LABEL		1	*			
009-1	151509-6	BLADE CASE COMPLETE	O	1				
C10	810939-7	CAUTION LABEL		1				
010	911123-8	PAN HEAD SCREW M4X14		1				
011	150172-2	PIPE COMPLETE		1	*			
C10	213014-2	O RING 3		1	*			
011-1	153409-6	WATER SUPPLY PIPE COMPLETE	<	1				
C10	213014-2	O RING 3		1				
012	410910-7	COVER B		1				
013	911203-0	PAN HEAD SCREW M5X8		1				
014	150926-7	GEAR HOUSING COMPLETE		1				
D10		INC. 15						
015	213407-3	O RING 26		1				
016	415403-9	FAN GUIDE		1				
017	423155-8	SEAL RUBBER		1				
018	414074-9	COVER A		1				
019	163282-6	CLAMP 90		1				
020	911258-5	PAN HEAD SCREW M5X35		1				
022	212004-2	NEEDLE BEARING 810		1				
023	226420-2	HELICAL GEAR 42		1				
024	961052-5	RETAINING RING S-12		1				
025	851596-2	NAME PLATE 4101RH		1				
026	911148-2	PAN HEAD SCREW M4X25		4				
027	911263-2	PAN HEAD SCREW M5X40		2				
028	150927-5	MOTOR HOUSING COMPLETE		1				
C10	643708-9	BRUSH HOLDER 5-11		2				
C20	810948-6	CAUTION LABEL		1	*			
C30	818572-9	EARTH MARK LABEL		1				
C40	810946-0	CAUTION LABEL		1	*			
C50	810947-8	CAUTION LABEL		1				
C60	810971-1	CAUTION LABEL		1				
D10		INC. 46						

Model No.4101RH CUTTER 125MM

Item	Parts No.	Description	I/C	Qty	New/Old	Opt. 1	Opt. 2	Note
029	211129-9	BALL BEARING 6201DDW		1				
030	522843-5	FIELD ASS'Y 220V		1				
C10	654020-2	RING TERMINAL		2				
C20	654502-4	CONNECTOR P-2		2				
031	213262-3	O RING 18		1				
032	253192-6	FLAT WASHER 14		1				
033	211033-2	BALL BEARING 608LB		1				
034	681613-2	INSULATION WASHER		1				
035	516343-5	ARMATURE ASS'Y 220V		1				
D10		INC. 33,34,36-38						
036	240007-6	FAN 68		1				
037	253741-9	FLAT WASHER 9		1				
038	211056-0	BALL BEARING 629LLB		1	*			
038-1	210042-8	BALL BEARING 629LLB	O	1				
039	226419-7	HELICAL GEAR 19		1				
040	961004-6	RETAINING RING S-8		1				
041	254002-0	WOODRUFF KEY 3		1				
042	252623-2	WING NUT M6		1				
043	942151-2	SPRING WASHER 6		1				
044	941151-9	FLAT WASHER 6		1				
045	168216-4	BASE		1				
046	263002-9	RUBBER PIN 4		1				
047-1	911290-9	PAN HEAD SCREW M5X65		2				
048	911133-5	PAN HEAD SCREW M4X18		2				
049	687052-4	STRAIN RELIEF		1	*			
049-1	687053-2	STRAIN RELIEF	X	1				
050	152597-6	HANDLE COVER COMPLETE		1				
C10	421459-2	DUST COVER		1				
051A1	682504-0	CORD GUARD 10-85	X	1				
052	699005-1	POWER SUPPLY CORD UNIT		1				
C10	652739-7	RESIDUAL CURRENT DEVICE		1				
053	421329-5	DUST COVER		1				
054-1	651252-2	SWITCH SGES215C		1				
055	191963-2	CARBON BRUSH CB-303		1				
056-1	643755-0	BRUSH HOLDER CAP 7-11		2				
057-1	645200-1	NOISE SUPPRESSOR		1				
058	251886-7	WING BOLT M6X10		1				
059	942151-2	SPRING WASHER 6		1				
060	251919-8	CAP SQUARE NECK BOLT M6X20		1				
061	951219-3	SPRING PIN 6-32		1				
062	941151-9	FLAT WASHER 6		1				
063	654532-5	TERMINAL BLOCK 1P		1				

Please order the parts with part number.

Print Date 25/3/2020

Model No.4101RH CUTTER 125MM

Item	Parts No.	Description	I/C	Qty	New/Old	Opt. 1	Opt. 2	Note
064	632829-2	LEAD UNIT		1				
065	652014-1	PAN HEAD SCREW M4X8		1				
A01	410047-0	WRENCH HOLDER 5.6		1				
A02	412010-9	VINYL TUBE 5X7X5000		1				
A03	421125-1	PLUG		1	*			
A03-1	421835-0	WATER SUPPLY PLUG	O	1				
A04	792190-0	DIAMOND WHEEL 110		1	*			
A04-1	A-85210	DIAMOND WHEEL 110(WET)	O	1	*			
A04-2	A-87292	125MM DIAMOND WHEEL(RIM/WET)	O	1	*			
A04-3	B-21951	DIAMOND WHEEL 125MM RIM EN	<	1	*			
A04-4	B-21951	DIAMOND WHEEL 125MM RIM EN	O	1				
A05	781011-1	WRENCH 22		1				
A06	783203-8	HEX. WRENCH 5		1				

Please order the parts with part number.

Print Date 25/3/2020