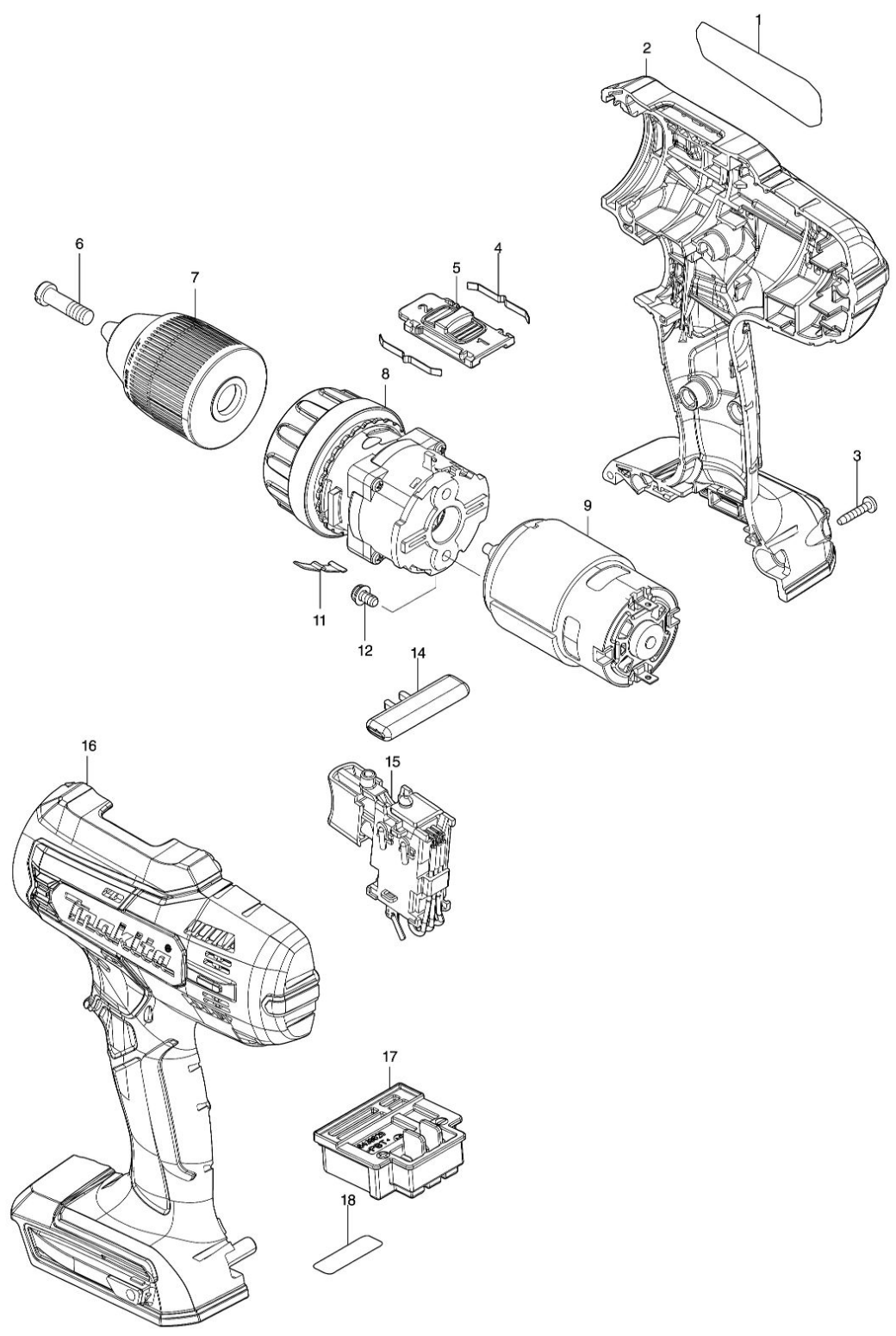


Model No.DF488D CORDLESS DRIVER DRILL



| Nr. | Part nr. | Name |
|------------|-----------------|----------------------------|
| 001 | 858A54-5 | Naamplaat DF488D |
| 002 | 183R93-1 | Motorhuis DF488/HP488 |
| 002C10 | 252126-6 | Borgmoer M4X7Mm Mt070 |
| 003 | 266130-9 | Tapschroef 3X16 A |
| 004 | 232220-0 | Bladveer 6349D |
| 005 | 127754-5 | Toerenhendel DF488D |
| 005C10 | 233438-6 | Drukveer 4 Bdf440 |
| 006 | 251468-5 | Boorkopschroef M6X22Mm Li |
| 007 | 766004-9 | Boorkop snelspan 1,5-13 mm |
| 007-1 | 763260-2 | Boorkop SNSP DF488D |
| 008 | 127734-1 | Tandwielset HP488D P |
| 008-1 | 122B86-7 | Tandwielset HP488D A |
| 009 | 629937-8 | Motor 18,0V Bdf/Bhp453 A |
| 011 | 232182-2 | Bladveer 6204Dwa |
| 012 | 911109-2 | Schroef 4X8 |
| 014 | 452399-3 | L/R Schakelknop Mt070 |
| 015 | 638862-2 | Schakelaar Df457D |
| 015C10 | 688164-6 | Lijn Filter CI102D |
| 015C20 | 688165-4 | Lijn Filter Bub360/Bdf453 |
| 016 | 183R93-1 | Motorhuis DF488/HP488 |
| 016C10 | 252126-6 | Borgmoer M4X7Mm Mt070 |
| 017 | 643862-9 | Aansluitunit Df457 |
| 018 | 858A58-7 | Label serienr DF488D |