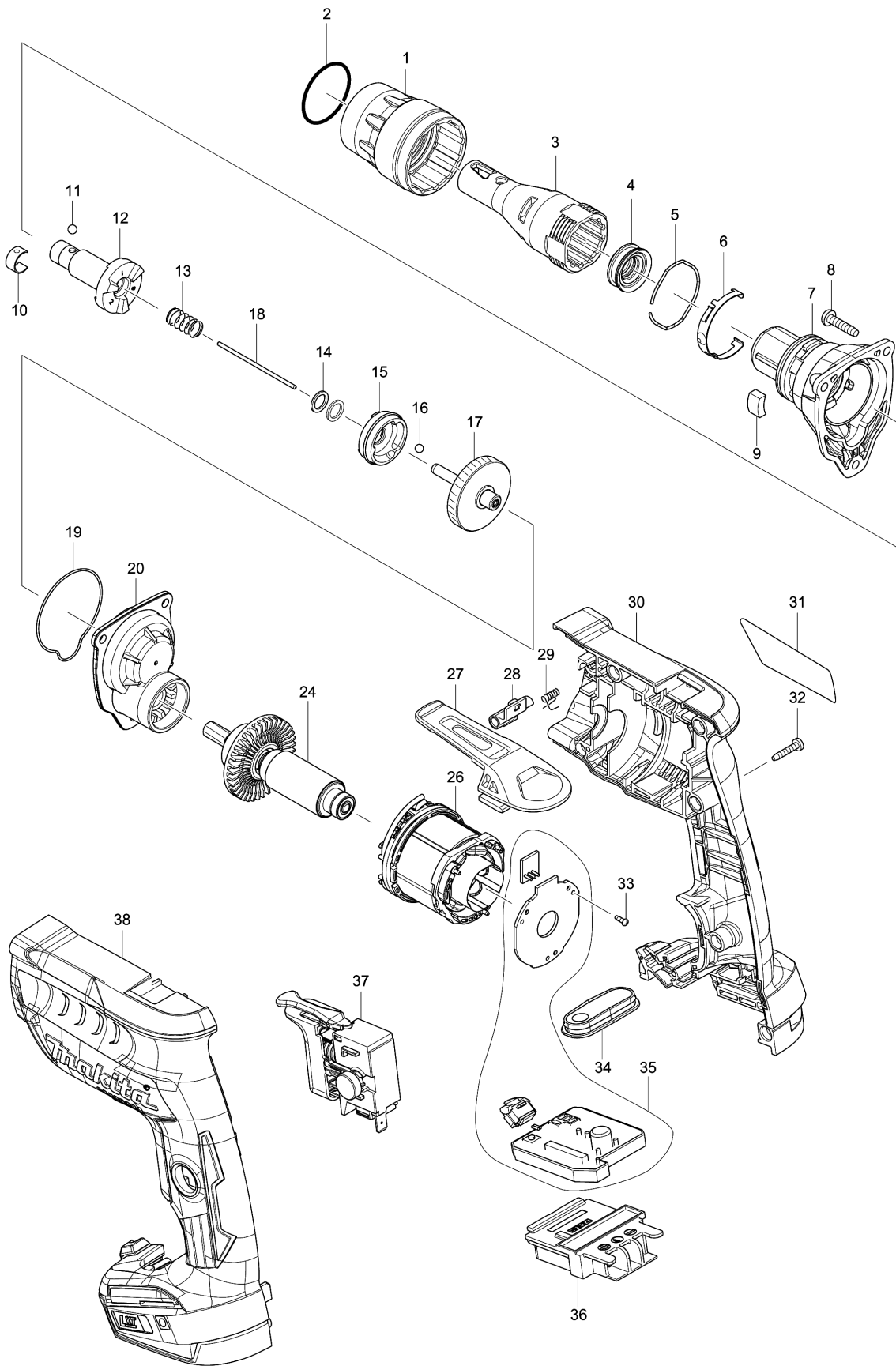


Model No.DFS452 CORDLESS SCREWDRIVER



Model No.DFS452 CORDLESS SCREWDRIVER

Item	Parts No.	Description	I/C	Qty	New/Old	Opt. 1	Opt. 2	Note
001	455591-0	LOCK RING		1				
002	424235-3	SEAL RING 30		1				
003	158875-2	LOCATOR S COMPLETE		1				
004	424665-8	DUST SEAL SLEEVE		1				
005	234348-0	RING SPRING 30		1				
006	232245-4	LEAF SPRING		1				
007	142902-5	GEAR HOUSING COMPLETE		1				
C10	213796-6	OIL SEAL 11		1				
008	265995-6	TAPPING SCREW 4X18		3	*			
008-1	265A48-7	TAPPING SCREW 4X18	O	3				
009	423413-2	RUBBER PLATE		1				
010	232050-9	LEAF SPRING		1				
011	216001-0	STEEL BALL 3.5		1				
012	142903-3	SPINDLE 125S COMPLETE		1				
013	234121-8	COMPRESSION SPRING 8		1				
014	267202-3	FLAT WASHER 8		2				
015	223181-5	CLUTCH CAM 125S		1				
016	216008-6	STEEL BALL 4		3				
017	142904-1	GEAR COMPLETE		1				
C10	424663-2	SEAL		1				
018	268325-0	ROD 2		1				
019	424664-0	SEAL RING		1				
020	142909-1	GEAR HOUSING COVER COMPLETE		1				
024	519355-7	ROTOR ASS'Y		1	*			
024-1	510472-6	ROTOR ASS'Y	O	1				
026	629135-4	STATOR		1				
027	162272-6	HOOK		1				
028	142908-3	LEVER COMPLETE		1	*			
028-1	140M84-5	LEVER COMPLETE	<	1				
029	233619-2	TORSION SPRING 3		1				
030	187993-9	HOUSING SET		1				
C10	263005-3	RUBBER PIN 6		2				
D10		INC. 38						
031	850H34-9	DFS452 NAME PLATE		1				
032	266130-9	TAPPING SCREW BIND PT 3X16		7				
033	266490-9	TAPPING SCREW PT 2X6		3				
034	142905-9	SWITCH PLATE COMPLETE		1				
035A	620349-8	CONTROLLER		1	*			
035-1A	620360-0	CONTROLLER COMPLETE	S	1				
D10		INC. 36						
035-1C	620360-0	CONTROLLER COMPLETE		1				

Model No.DFS452 CORDLESS SCREWDRIVER

Item	Parts No.	Description	I/C	Qty	New/Old	Opt. 1	Opt. 2	Note
D10		INC. 36						
035-1D	620360-0	CONTROLLER COMPLETE		1				
D10		INC. 36						
036A	643860-3	TERMINAL		1	*			
036-1A	643860-3	TERMINAL	O	1				
036-1C	643860-3	TERMINAL		1				
036-1D	643860-3	TERMINAL		1				
037	650733-3	SWITCH C3JW-4B-2L		1				
038	187993-9	HOUSING SET		1				
C10	263005-3	RUBBER PIN 6		2				
D10		INC. 30						
039	850H36-5	DFS452 SERIAL NO. LABEL		1				
A01	266622-8	+ TRUSS HEAD SCREW M4X12		1				
A02	346317-0	HOOK		1				
A03	784261-7	+BIT 2-25		2				
A04	784813-4	MAGNETIC BIT HOLDER 6.35-60		1				
A05C	821550-0	CONNECTOR PLASTIC CASE (TYPE2)		1				
C10	453974-8	LATCH		4				
A05D	821550-0	CONNECTOR PLASTIC CASE (TYPE2)		1				
C10	453974-8	LATCH		4				
A06C	839737-0	INNER TRAY		1				
A06D	839737-0	INNER TRAY		1				
A07C	817X35-6	DFS452ZJX2 INDICATION LABEL		1				
A07D	818K26-2	DFS452ZJX3 INDICATION LABEL		1				
A08C	817M42-3	DFS452ZJX2 PLASTIC CASE LABEL		2				
A08D	818K25-4	DFS452ZJX3 PLASTIC CASE LABEL		2				
A09C	126853-0	AUTOFEED ATTACHMENT		1	*			
A09D	126853-0	AUTOFEED ATTACHMENT		1	*			
A09-1C	127625-6	AUTOFEED ATTACHMENT	<	1	*			
A09-1D	127625-6	AUTOFEED ATTACHMENT	<	1	*			
A09-2C	127687-4	AUTOFEED ATTACHMENT	<	1				
A09-2D	127687-4	AUTOFEED ATTACHMENT	<	1				
A10C	140B28-9	+ BIT 2-130 COMPLETE		1				
A10D	199155-7	+ BIT 2-130 SET		2				
E01	688161-2	LINE FILTER		1				

Please order the parts with part number.

Print Date 26/3/2020