

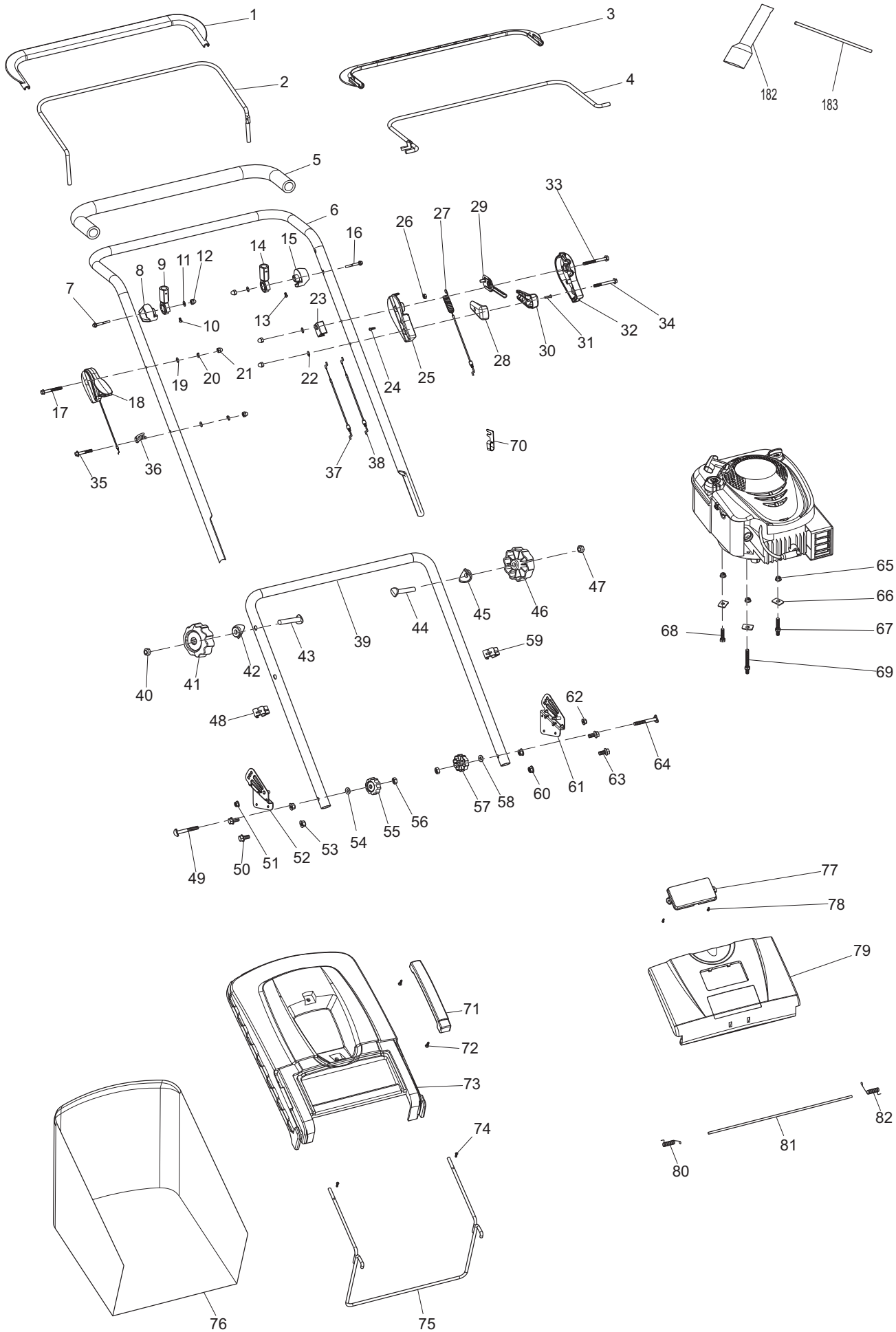


Ersatzteilliste  
Spare Parts List

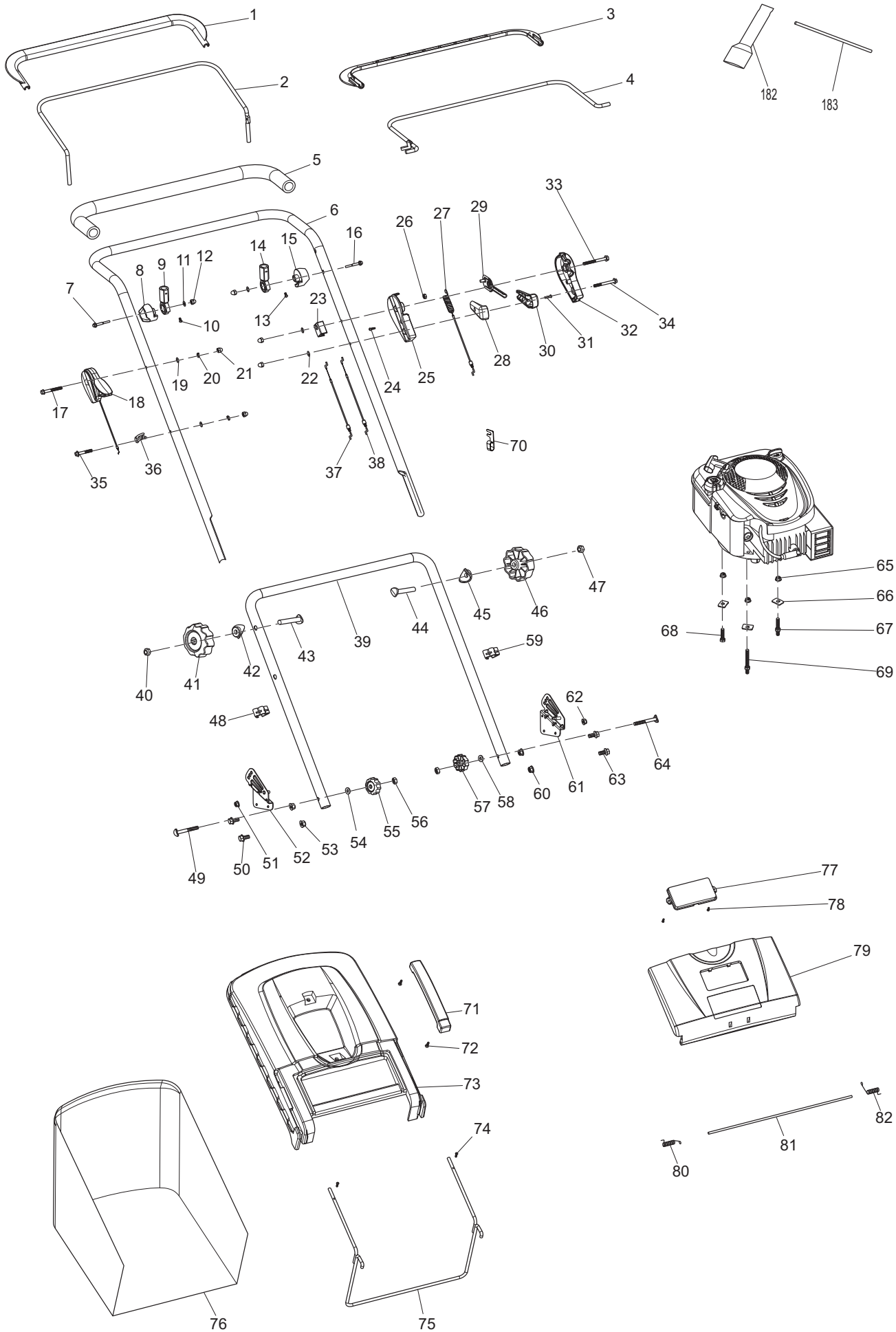
2018-05

PM5600S3R  
PLM5600N2

PM5600S3R, PLM5600N2 (D, GB)



| Seite / Page | Pos. | PM5600S3R | PLM5600N2 | Teil-Nr.<br>Part No. | Hinweise<br>Notes | Bezeichnung                         | Spezifikation<br>Specification | Description                 |
|--------------|------|-----------|-----------|----------------------|-------------------|-------------------------------------|--------------------------------|-----------------------------|
| 1            | 1    | 1         | 1         | 671020120            |                   | HEBEL, MOTORBREMSE KPL.             | INC. 1,2                       | LEVER, MOTOR BRAKE ASSY     |
| 1            | 2    | 1         | 1         | 671020120            |                   | HEBEL, MOTORBREMSE KPL.             | INC. 1,2                       | LEVER, MOTOR BRAKE ASSY     |
| 1            | 3    | 1         | 1         | 671020110            |                   | HEBEL, ANTRIEB KPL.                 | INC. 3,4                       | LEVER, DRIVING ASSY         |
| 1            | 4    | 1         | 1         | 671020110            |                   | HEBEL, ANTRIEB KPL.                 | INC. 3,4                       | LEVER, DRIVING ASSY         |
| 1            | 5    | 1         | 1         | 671103101            |                   | GRIFFUMHÜLLUNG                      |                                | HANDLE SHEATH               |
| 1            | 6    | 1         | 1         | 671005139            |                   | OBERHOLM KPL.                       |                                | UPPER HANDLE ASSY           |
| 1            | 7    | 1         | 1         | 671006029            |                   | SECHSKANTSCHRAUBE                   |                                | HEXAGON FLANGE BOLT         |
| 1            | 8    | 1         | 1         | 671990001            |                   | HALTER                              |                                | POSITION FIXING SUPPORT     |
| 1            | 9    | 1         | 1         | 671989001            |                   | STECKVERBINDUNG                     |                                | PLUG-IN OF HANDLE           |
| 1            | 10   | 1         | 1         | 671002025            |                   | SCHRAUBE                            | M4x8                           | TRIGGER BOLT                |
| 1            | 11   | 2         | 2         | 671007070            |                   | FLACHSCHEIBE                        |                                | FLAT WASHER                 |
| 1            | 12   | 2         | 2         | 671050160            |                   | SECHSKANTMUTTER                     | M6                             | HEXAGONAL LOCKING NUT       |
| 1            | 13   | 1         | 1         | 671002025            |                   | SCHRAUBE                            | M4x8                           | TRIGGER BOLT                |
| 1            | 14   | 1         | 1         | 671989001            |                   | STECKVERBINDUNG                     |                                | PLUG-IN OF HANDLE           |
| 1            | 15   | 1         | 1         | 671990001            |                   | HALTER                              |                                | POSITION FIXING SUPPORT     |
| 1            | 16   | 1         | 1         | 671006029            |                   | SECHSKANTSCHRAUBE                   |                                | HEXAGON FLANGE BOLT         |
| 1            | 17   | 1         | 1         | 671006082            |                   | SECHSKANTSCHRAUBE                   |                                | HEXAGON FLANGE BOLT         |
| 1            | 18   | 1         | 1         | DA00001172           |                   | MOTORFERNBEDIENUNG MIT<br>BOWDENZUG |                                | THROTTLE HANDLE ASS'Y       |
| 1            | 19   | 2         | 2         | 671007008            |                   | SCHEIBE                             | Ø16xØ8x0,8                     | WASHER                      |
| 1            | 20   | 2         | 2         | 671008003            |                   | FEDERSCHEIBE                        | Ø6,65                          | SPRING WASHER               |
| 1            | 21   | 4         | 4         | 671050160            |                   | SECHSKANTMUTTER                     | M6                             | HEXAGONAL LOCKING NUT       |
| 1            | 22   | 2         | 2         | 671007008            |                   | SCHEIBE                             | Ø16xØ8x0,8                     | WASHER                      |
| 1            | 23   | 1         | 1         | DA00000573           |                   | KABELHALTER                         |                                | CABLE HOLDER                |
| 1            | 24   | 1         | 1         | DA00000826           |                   | SCHRAUBE SELBSTSCHNEIDEND           | 4x12                           | SELF-DRIVING SCREW          |
| 1            | 25   | 1         | 1         | 671827001            |                   | SCHALTERGEHÄUSE OBEN                |                                | SWITCH BOX UPPER COVER      |
| 1            | 26   | 1         | 1         | DA00000549           |                   | SECHSKANTMUTTER                     | M6                             | LOCKING NUT                 |
| 1            | 27   | 1         | 1         | 671001243            |                   | BOWDENZUG (3-GANG)                  |                                | CONTROL CABLE (3-GEAR)      |
| 1            | 28   | 1         | 1         | DA00000870           |                   | GRIFFSCHALE RECHTS                  |                                | GRIP PLATE, RIGHT           |
| 1            | 29   | 1         | 1         | 671002279            |                   | SCHALTHEBEL                         |                                | SWITCH LEVER                |
| 1            | 30   | 1         | 1         | DA00000869           |                   | GRIFFSCHALE LINKS                   |                                | GRIP PLATE, LEFT            |
| 1            | 31   | 1         | 1         | DA00000873           |                   | BLECHSCHRAUBE                       | 4.2x15                         | SELF-TAPPING SCREW          |
| 1            | 32   | 1         | 1         | 671828001            |                   | SCHALTERGEHÄUSE UNTEN               |                                | SWITCH BOX LOWER COVER      |
| 1            | 33   | 1         | 1         | DA00000572           |                   | SCHRAUBE                            | M6x50                          | BOLT                        |
| 1            | 34   | 1         | 1         | 671006082            |                   | SECHSKANTSCHRAUBE                   |                                | HEXAGON FLANGE BOLT         |
| 1            | 35   | 1         | 1         | DA00000577           |                   | SCHRAUBE                            | M6x35                          | BOLT                        |
| 1            | 36   | 1         | 1         | 671001647            |                   | HAKEN                               |                                | CABLE HOOK                  |
| 1            | 37   | 1         | 1         | 671001242            |                   | BOWDENZUG (RADANTRIEB)              |                                | CONTROL CABLE (WHEEL DRIVE) |
| 1            | 38   | 1         | 1         | DA00001171           |                   | BOWDENZUG MOTORBREMSE               |                                | FRAMEOUT CORD ASS'Y         |
| 1            | 39   | 1         | 1         | 671001869            |                   | UNTERHOLM                           |                                | LOWER HANDLE                |
| 1            | 40   | 1         | 1         | 671005023            |                   | SECHSKANTMUTTER                     | M8                             | HEXAGONAL NUT               |
| 1            | 41   | 1         | 1         | DA00000564           |                   | STERNGRIFF                          |                                | STAR KNOB                   |
| 1            | 42   | 1         | 1         | DA00000924           |                   | SCHEIBE                             |                                | WASHER                      |
| 1            | 43   | 1         | 1         | DA00000569           |                   | FLACHKOPFSCHRAUBE                   | M8x58                          | FLAT HEAD BOLT              |
| 1            | 44   | 1         | 1         | DA00000569           |                   | FLACHKOPFSCHRAUBE                   | M8x58                          | FLAT HEAD BOLT              |
| 1            | 45   | 1         | 1         | DA00000924           |                   | SCHEIBE                             |                                | WASHER                      |
| 1            | 46   | 1         | 1         | DA00000564           |                   | STERNGRIFF                          |                                | STAR KNOB                   |
| 1            | 47   | 1         | 1         | 671005023            |                   | SECHSKANTMUTTER                     | M8                             | HEXAGONAL NUT               |
| 1            | 48   | 1         | 1         | DA00001170           |                   | BOWDENZUGHALTER                     |                                | CABLE CLAMP                 |
| 1            | 49   | 1         | 1         | DA00000880           |                   | FLACHKOPFSCHRAUBE                   | M8x35                          | FLAT HEAD BOLT              |
| 1            | 50   | 2         | 2         | 671006064            |                   | SECHSKANTSCHRAUBE                   | M8x6                           | HEXAGON HEAD BOLT           |
| 1            | 51   | 1         | 1         | DA00000543           |                   | SECHSKANTMUTTER                     | M6                             | HEXAGONAL LOCKING NUT       |
| 1            | 52   | 1         | 1         | 671001829            |                   | GRIFFANBINDUNG, RECHTS              | DOLMAR, RED                    | BRACKET HANDLE, RIGHT       |
| 1            | 52   | 1         | 1         | 671018280            |                   | GRIFFANBINDUNG, RECHTS              | MAKITA, BLUE                   | BRACKET HANDLE, RIGHT       |
| 1            | 53   | 2         | 2         | DA00000537           |                   | SECHSKANTMUTTER                     | M8                             | HEXAGONAL LOCKING NUT       |
| 1            | 54   | 1         | 1         | 671007007            |                   | SCHEIBE                             | Ø8                             | WASHER                      |
| 1            | 55   | 1         | 1         | DA00000564           |                   | STERNGRIFF                          |                                | STAR KNOB                   |
| 1            | 56   | 2         | 2         | 671005023            |                   | SECHSKANTMUTTER                     | M8                             | HEXAGONAL NUT               |
| 1            | 57   | 1         | 1         | DA00000564           |                   | STERNGRIFF                          |                                | STAR KNOB                   |
| 1            | 58   | 1         | 1         | 671007007            |                   | SCHEIBE                             | Ø8                             | WASHER                      |
| 1            | 59   | 1         | 1         | DA00001170           |                   | BOWDENZUGHALTER                     |                                | CABLE CLAMP                 |
| 1            | 60   | 2         | 2         | DA00000537           |                   | SECHSKANTMUTTER                     | M8                             | HEXAGONAL LOCKING NUT       |
| 1            | 61   | 1         | 1         | 671018270            |                   | GRIFFANBINDUNG, LINKS               | DOLMAR, RED                    | BRACKET HANDLE, LEFT        |
| 1            | 61   | 1         | 1         | 671018260            |                   | GRIFFANBINDUNG, LINKS               | MAKITA, BLUE                   | BRACKET HANDLE, LEFT        |
| 1            | 62   | 1         | 1         | DA00000543           |                   | SECHSKANTMUTTER                     | M6                             | HEXAGONAL LOCKING NUT       |
| 1            | 63   | 2         | 2         | 671006064            |                   | SECHSKANTSCHRAUBE                   | M8x6                           | HEXAGON HEAD BOLT           |
| 1            | 64   | 1         | 1         | DA00000880           |                   | FLACHKOPFSCHRAUBE                   | M8x35                          | FLAT HEAD BOLT              |
| 1            | 65   | 3         | 3         | DA00000537           |                   | SECHSKANTMUTTER                     | M8                             | HEXAGONAL LOCKING NUT       |
| 1            | 66   | 3         | 3         | DA00000582           |                   | 4 KANT-SCHEIBE                      | Ø10                            | SQUARE GASKET               |
| 1            | 67   | 1         | 1         | DA00000617           |                   | SPEZIALSCHRAUBE                     | M8x17x35                       | SPECIAL SCREW               |
| 1            | 68   | 1         | 1         | 671006025            |                   | SECHSKANTSCHRAUBE                   | M8x35                          | HEXAGON BOLT                |
| 1            | 69   | 1         | 1         | DA00000617           |                   | SPEZIALSCHRAUBE                     | M8x17x35                       | SPECIAL SCREW               |
| 1            | 70   | 1         | 1         | DA00001157           |                   | KABELKLEMME                         |                                | CABLE HOOK                  |
| 1            | 71   | 1         | 1         | 671384001            |                   | HANDGRIFF                           |                                | GRASS CATCHER HANDLE        |
| 1            | 72   | 2         | 2         | 671001037            |                   | SCHRAUBE SELBSTSCHNEIDEND           | 5x16                           | SELF-TAPPING SCREW          |
| 1            | 73   | 1         | 1         | 671409001            |                   | KORB, OBERTEIL                      |                                | GRASS-BOX, UPPER            |
| 1            | 74   | 2         | 2         | 671001032            |                   | SCHRAUBE                            | 4,2x18                         | BOLT                        |



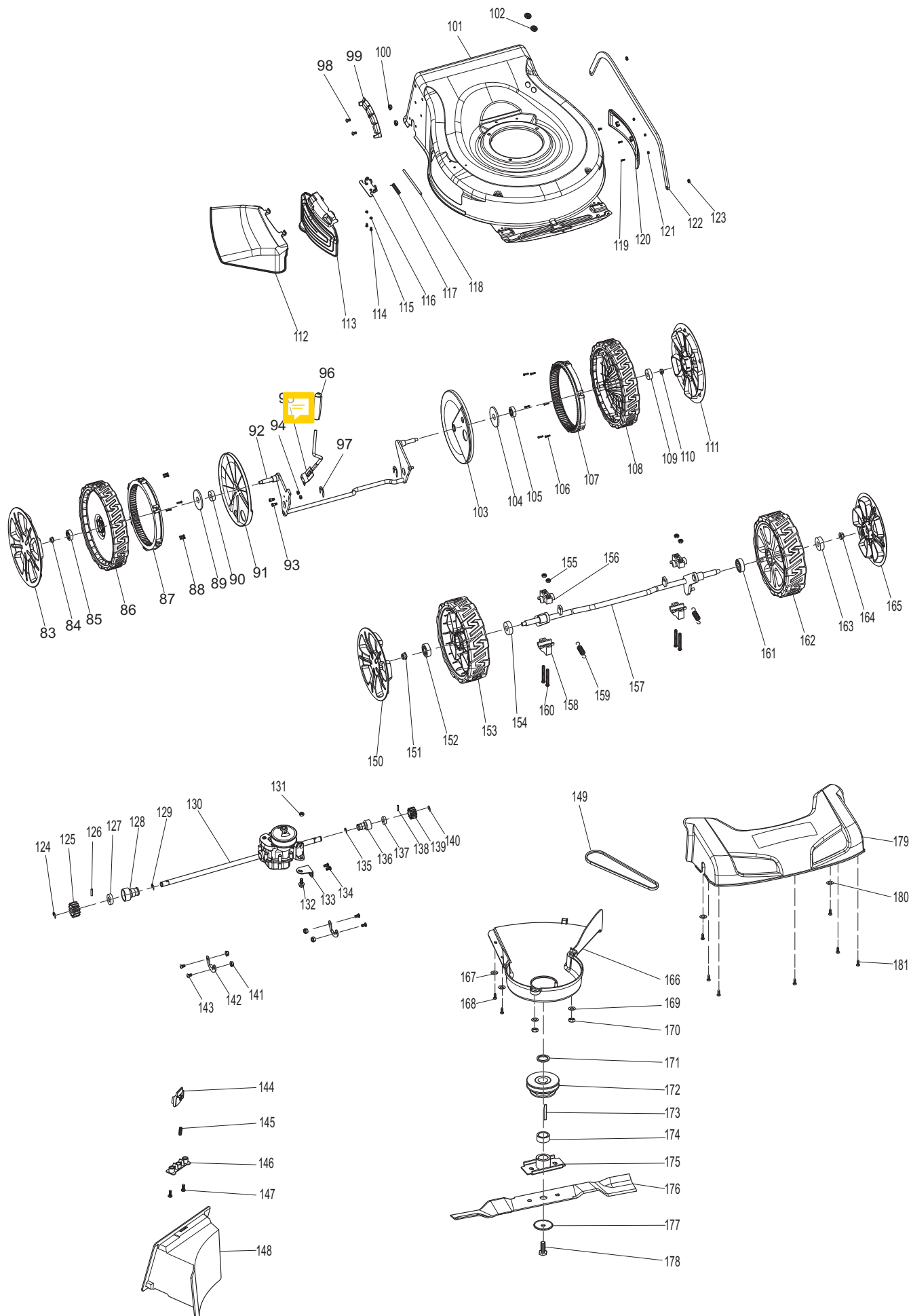
PM5600S3R, PLM5600N2

1

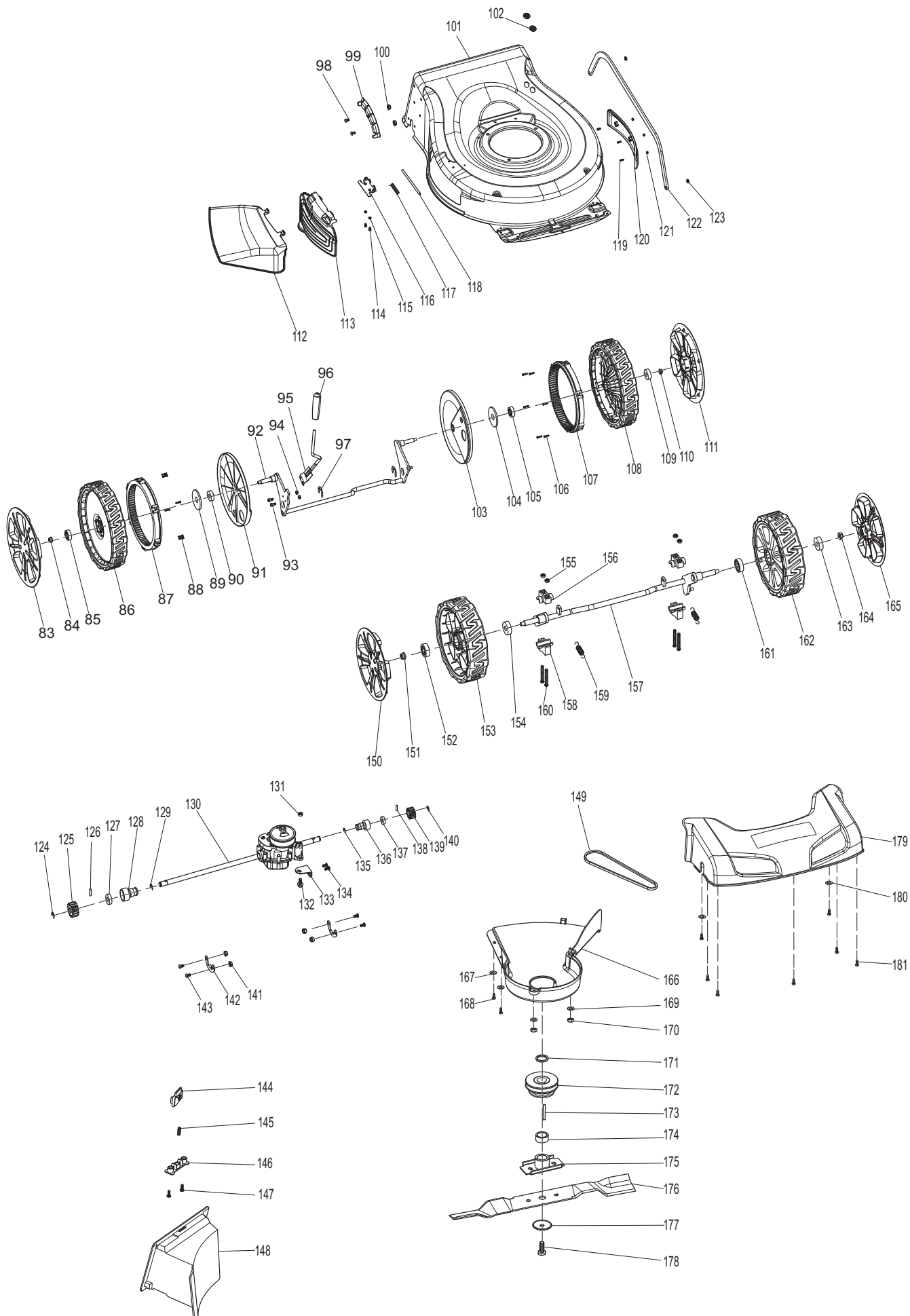
Führungsholm, Grasfangkorb  
Guide tube, gras catcher



| Seite / Page | Pos. | PM5600S3R | PLM5600N2 | Teil-Nr.<br>Part No. | Hinweise<br>Notes | Bezeichnung               | Spezifikation<br>Specification | Description        |
|--------------|------|-----------|-----------|----------------------|-------------------|---------------------------|--------------------------------|--------------------|
| 1            | 75   | 1         | 1         | 671001382            |                   | RAHMEN                    |                                | FRAME              |
| 1            | 76   | 1         |           | 671137910            |                   | GRASFANGKORB              | DOLMAR                         | GRASS CATCHER      |
| 1            | 76   |           | 1         | 671137909            |                   | GRASFANGKORB              | MAKITA                         | GRASS CATCHER      |
| 1            | 77   | 1         | 1         | 671385001            |                   | SICHTFENSTER              |                                | TRANSPARENT WINDOW |
| 1            | 78   | 2         | 2         | 671010710            |                   | SCHRAUBE SELBSTSCHNEIDEND | ST4x12                         | SELF-TAPPING SCREW |
| 1            | 79   | 1         | 1         | 671004613            |                   | HECKKLAPPE                |                                | REAR FLAP          |
| 1            | 80   | 1         | 1         | 671011229            |                   | FEDER, RECHTS             |                                | SPRING, RIGHT      |
| 1            | 81   | 1         | 1         | 671001484            |                   | STANGE GRASKLAPPE         |                                | LONG POLE          |
| 1            | 82   | 1         | 1         | 671011228            |                   | FEDER, LINKS              |                                | SPRING, LEFT       |
| 1            | 182  | 1         | 1         | 671001078            |                   | STECKSCHLÜSSEL            | 21mm                           | BOX SPANNER        |
| 1            | 183  | 1         | 1         | 671001079            |                   | KNEBEL                    | Ø8x110mm                       | SPANNER POLE       |



| Seite / Page | Pos. | PM5600S3R | PLM5600N2 | Teil-Nr.<br>Part No. | Hinweise<br>Notes | Bezeichnung                                       | Spezifikation<br>Specification | Description                   |
|--------------|------|-----------|-----------|----------------------|-------------------|---|--------------------------------|-------------------------------|
| 2            | 83   | 1         | 1         | 671001322            |                   | RADKAPPE  |                                | WHEEL COVER                   |
| 2            | 84   | 1         | 1         | DA00000537           |                   | SECHSKANTMUTTER                                   | M8                             | HEXAGONAL LOCKING NUT         |
| 2            | 85   | 1         | 1         | DA00000538           |                   | KUGELLAGER  | 6201Z                          | BALL BEARING                  |
| 2            | 86   | 1         | 1         | 671002021            |                   | RAD KPL.  |                                | WHEEL ASSY.                   |
| 2            | 87   | 1         | 1         | 671200010            |                   | ZAHNRAD   | 11"                            | GEAR WHEEL                    |
| 2            | 88   | 4         | 4         | DA00000603           |                   | BLECHSCHRAUBE                                     | 4x16                           | SELF-TAPPING SCREW            |
| 2            | 89   | 1         | 1         | DA00000538           |                   | KUGELLAGER  | 6201Z                          | BALL BEARING                  |
| 2            | 90   | 1         | 1         | 671007065            |                   | SCHEIBE   | Ø20                            | BIG WASHER                    |
| 2            | 91   | 1         | 1         | 671251800            |                   | RADINNENABDECKUNG                                 | 11"                            | INNER WHEEL COVER             |
| 2            | 92   | 1         | 1         | 671002296            |                   | HINTERRADACHSE                                    |                                | REAR WHEEL AXLE               |
| 2            | 93   | 2         | 2         | 671002030            |                   | SCHRAUBE  | M6x14                          | TRIGGER BOLT                  |
| 2            | 94   | 2         | 2         | DA00000549           |                   | SECHSKANTMUTTER                                   | M6                             | LOCKING NUT                   |
| 2            | 95   | 1         | 1         | DA00001077           |                   | HEBEL F. HÖHENVERSTELLUNG INKL.<br>GRIFFUMHÜLLUNG | Set INC. 94,95                 | LEVER, HEIGHT ADJUSTMENT CPL. |
| 2            | 96   | 1         | 1         | DA00001077           |                   | HEBEL F. HÖHENVERSTELLUNG INKL.<br>GRIFFUMHÜLLUNG | Set INC. 94,95                 | LEVER, HEIGHT ADJUSTMENT CPL. |
| 2            | 97   | 2         | 2         | 671009003            |                   | SICHERUNGSSCHEIBE                                 | Ø19x1,5                        | SAFETY WASHER                 |
| 2            | 98   | 2         | 2         | 671002019            |                   | SCHRAUBE  | M6x12                          | TRIGGER BOLT                  |
| 2            | 99   | 1         | 1         | DA00000791           |                   | DREHPUNKT F. HÖHENVERSTELLUNG                     |                                | HEIGHT ADJUSTMENT PLATE       |
| 2            | 100  | 2         | 2         | DA00000543           |                   | SECHSKANTMUTTER                                   | M6                             | HEXAGONAL LOCKING NUT         |
| 2            | 101  | 1         | 1         | 671001878            |                   | DECK  | DOLMAR, RED                    | DECK                          |
| 2            | 101  | 1         | 1         | 671001690            |                   | DECK  | MAKITA, BLUE                   | DECK                          |
| 2            | 102  | 2         | 2         | 671800104            |                   | GUMMITÜLLE  |                                | CORD PROTECTING SHEATH        |
| 2            | 103  | 1         | 1         | 671251800            |                   | RADINNENABDECKUNG                                 | 11"                            | INNER WHEEL COVER             |
| 2            | 104  | 1         | 1         | 671007065            |                   | SCHEIBE   | Ø20                            | BIG WASHER                    |
| 2            | 105  | 1         | 1         | DA00000538           |                   | KUGELLAGER  | 6201Z                          | BALL BEARING                  |
| 2            | 106  | 4         | 4         | DA00000603           |                   | BLECHSCHRAUBE                                     | 4x16                           | SELF-TAPPING SCREW            |
| 2            | 107  | 1         | 1         | 671200010            |                   | ZAHNRAD   | 11"                            | GEAR WHEEL                    |
| 2            | 108  | 1         | 1         | 671002021            |                   | RAD KPL.  |                                | WHEEL ASSY.                   |
| 2            | 109  | 1         | 1         | DA00000538           |                   | KUGELLAGER  | 6201Z                          | BALL BEARING                  |
| 2            | 110  | 1         | 1         | DA00000537           |                   | SECHSKANTMUTTER                                   | M8                             | HEXAGONAL LOCKING NUT         |
| 2            | 111  | 1         | 1         | 671001322            |                   | RADKAPPE  |                                | WHEEL COVER                   |
| 2            | 112  | 1         | 1         | 671065001            |                   | SCHUTZHAUBE SEITENAUSWURF                         |                                | PROTECTION COVER              |
| 2            | 113  | 1         | 1         | 671406001            |                   | MULCHABDECKUNG                                    |                                | SIDE DISCHARGE COVER          |
| 2            | 114  | 2         | 2         | 671002010            |                   | SCHRAUBE  | M5x12                          | TRIGGER BOLT                  |
| 2            | 115  | 2         | 2         | 671000198            |                   | FEDERSCHEIBE                                      |                                | SPRING WASHER                 |
| 2            | 116  | 1         | 1         | 671021830            |                   | FIXIERBLECH                                       |                                | FIXED PLATE                   |
| 2            | 117  | 1         | 1         | 671111300            |                   | DREHFEDER   | Ø3,1                           | TORSION SPRING                |
| 2            | 118  | 1         | 1         | 671001019            |                   | ACHSE   |                                | AXLE                          |
| 2            | 119  | 3         | 3         | 671006085            |                   | KREUZSCHLITZSCHRAUBE                              |                                | CROSS RECESS BOLT             |
| 2            | 120  | 1         | 1         | DA00000878           |                   | SCHUTZABDECKUNG                                   |                                | PROTECTING HOOD               |
| 2            | 121  | 3         | 3         | 671005014            |                   | SECHSKANTMUTTER                                   | M4                             | HEX NUT                       |
| 2            | 122  | 1         | 1         | 671002292            |                   | VERBINDUNGSSTANGE                                 |                                | LINK ROD                      |
| 2            | 123  | 2         | 2         | DA00000549           |                   | SECHSKANTMUTTER                                   | M6                             | LOCKING NUT                   |
| 2            | 124  | 1         | 1         | DA00000604           |                   | SICHERUNGSSCHEIBE                                 |                                | SAFETY WASHER                 |
| 2            | 125  | 1         | 1         | DA00001091           |                   | ZAHNRAD   |                                | RIGHT GEAR                    |
| 2            | 126  | 1         | 1         | DA00000597           |                   | ZYLINDERSTIFT                                     | Ø5x21,5                        | CYLINDRICAL PIN               |
| 2            | 127  | 1         | 1         | DA00001029           |                   | LAGER   |                                | BEARING                       |
| 2            | 128  | 1         | 1         | DA00000610           |                   | LAGERGEHÄUSE                                      |                                | BEARING HOUSING               |
| 2            | 129  | 1         | 1         | DA00000604           |                   | SICHERUNGSSCHEIBE                                 |                                | SAFETY WASHER                 |
| 2            | 130  | 1         | 1         | 671502027            |                   | ANTRIEB   |                                | GEAR BOX                      |
| 2            | 131  | 1         | 1         | DA00000549           |                   | SECHSKANTMUTTER                                   | M6                             | LOCKING NUT                   |
| 2            | 132  | 1         | 1         | 671006181            |                   | FIXIERSCHRAUBE                                    | M6x17                          | FIXED BOLT                    |
| 2            | 133  | 1         | 1         | 671002297            |                   | BEFESTIGUNGSBLECH                                 |                                | FIXING PLATE                  |
| 2            | 134  | 1         | 1         | 671006112            |                   | SECHSKANTSCHRAUBE                                 |                                | HEXAGON FLANGE BOLT           |
| 2            | 135  | 1         | 1         | DA00000604           |                   | SICHERUNGSSCHEIBE                                 |                                | SAFETY WASHER                 |
| 2            | 136  | 1         | 1         | DA00000610           |                   | LAGERGEHÄUSE                                      |                                | BEARING HOUSING               |
| 2            | 137  | 1         | 1         | DA00001029           |                   | LAGER   |                                | BEARING                       |
| 2            | 138  | 1         | 1         | DA00000597           |                   | ZYLINDERSTIFT                                     | Ø5x21,5                        | CYLINDRICAL PIN               |
| 2            | 139  | 1         | 1         | DA00001090           |                   | ZAHNRAD LINKS                                     |                                | GEAR WHEEL, LEFT              |
| 2            | 140  | 1         | 1         | DA00000604           |                   | SICHERUNGSSCHEIBE                                 |                                | SAFETY WASHER                 |
| 2            | 141  | 4         | 4         | DA00000543           |                   | SECHSKANTMUTTER                                   | M6                             | HEXAGONAL LOCKING NUT         |
| 2            | 142  | 2         | 2         | 671001244            |                   | FIXIERUNG   |                                | RING OF AXLE FIXING           |
| 2            | 143  | 4         | 4         | 671002019            |                   | SCHRAUBE  | M6x12                          | TRIGGER BOLT                  |
| 2            | 144  | 1         | 1         | 671316004            |                   | VERRIEGELUNGSKNOPF                                | 20"                            | LOCKING BUTTON                |
| 2            | 145  | 1         | 1         | 671011005            |                   | FEDER   | Ø8,0xØ0,9x31mm                 | SPRING                        |
| 2            | 146  | 1         | 1         | 671317001            |                   | DRUCKPLATTE                                       |                                | PRESSURE PLATE                |
| 2            | 147  | 2         | 2         | DA00000603           |                   | BLECHSCHRAUBE                                     | 4x16                           | SELF-TAPPING SCREW            |
| 2            | 148  | 1         | 1         | 671315001            |                   | MULCHKEIL   |                                | MULCHING KIT                  |
| 2            | 149  | 1         | 1         | 671002065            |                   | KEILRIEMEN  | Li=817mm                       | V-BELT                        |
| 2            | 150  | 1         | 1         | DA00000536           |                   | RADKAPPE  | 8"                             | WHEEL COVER                   |
| 2            | 151  | 1         | 1         | DA00000537           |                   | SECHSKANTMUTTER                                   | M8                             | HEXAGONAL LOCKING NUT         |
| 2            | 152  | 1         | 1         | DA00000538           |                   | KUGELLAGER  | 6201Z                          | BALL BEARING                  |
| 2            | 153  | 1         | 1         | 671020160            |                   | RAD   | 8"                             | WHEEL ASSY.                   |
| 2            | 154  | 1         | 1         | DA00000538           |                   | KUGELLAGER  | 6201Z                          | BALL BEARING                  |
| 2            | 155  | 4         | 4         | DA00000549           |                   | SECHSKANTMUTTER                                   | M6                             | LOCKING NUT                   |
| 2            | 156  | 2         | 2         | 671445001            |                   | LAGERSCHALE                                       |                                | BEARING SHELL                 |





| Seite / Page | Pos. | PM5600S3R | PLM5600N2 | Teil-Nr.<br>Part No. | Hinweise<br>Notes | Bezeichnung               | Spezifikation<br>Specification | Description           |
|--------------|------|-----------|-----------|----------------------|-------------------|---------------------------|--------------------------------|-----------------------|
| 2            | 157  | 1         | 1         | 671002295            |                   | VORDERACHSE               |                                | FRONT WHEEL AXLE      |
| 2            | 158  | 2         | 2         | 671076001            |                   | LAGERSCHALE               |                                | BEARING SHELL         |
| 2            | 159  | 2         | 2         | 671011087            |                   | ZUGFEDER                  |                                | TENSION SPRING        |
| 2            | 160  | 4         | 4         | 671006002            |                   | 6KT-SCHRAUBE              | M6x65                          | HEXAGON BOLT          |
| 2            | 161  | 1         | 1         | DA00000538           |                   | KUGELLAGER                | 6201Z                          | BALL BEARING          |
| 2            | 162  | 1         | 1         | 671020160            |                   | RAD                       | 8"                             | WHEEL ASSY.           |
| 2            | 163  | 1         | 1         | DA00000538           |                   | KUGELLAGER                | 6201Z                          | BALL BEARING          |
| 2            | 164  | 1         | 1         | DA00000537           |                   | SECHSKANTMUTTER           | M8                             | HEXAGONAL LOCKING NUT |
| 2            | 165  | 1         | 1         | DA00000536           |                   | RADKAPPE                  | 8"                             | WHEEL COVER           |
| 2            | 166  | 1         | 1         | 671560001            |                   | RIEMENSCHUTZHAUBE         |                                | BELT COVER            |
| 2            | 167  | 2         | 2         | 671008011            |                   | SCHEIBE                   | Ø5,65                          | WASHER                |
| 2            | 168  | 2         | 2         | 671001037            |                   | SCHRAUBE SELBSTSCHNEIDEND | 5x16                           | SELF-TAPPING SCREW    |
| 2            | 169  | 2         | 2         | 671007007            |                   | SCHEIBE                   | Ø8                             | WASHER                |
| 2            | 170  | 2         | 2         | 671005008            |                   | SECHSKANTMUTTER           | M8                             | HEXAGONAL LOCKING NUT |
| 2            | 171  | 1         | 1         | 671002351            |                   | FLACHSCHEIBE              |                                | FLAT WASHER           |
| 2            | 172  | 1         | 1         | 671004019            |                   | RIEMENSCHLEIBE            |                                | PULLEY                |
| 2            | 173  | 1         | 1         | DA00000535           |                   | PASSFEDER                 | 4,8x4,7x46,5                   | FLAT KEY              |
| 2            | 174  | 1         | 1         | 671002093            |                   | BUCHSE                    | Ø22,2xØ10,5x7mm                | BLADE SUPPORT BUSH    |
| 2            | 175  | 1         | 1         | DA00000857           |                   | MESSERHALTER              |                                | BLADE SUPPORT         |
| 2            | 176  | 1         | 1         | 671002532            |                   | MESSER                    | 560X55X4mm                     | BLADE                 |
| 2            | 177  | 1         | 1         | DA00000529           |                   | SCHEIBE                   |                                | LID SHAPE WASHER      |
| 2            | 178  | 1         | 1         | DA00000528           |                   | MESSERSCHRAUBE            | 3/8", L=40mm                   | BLADE TIGHTEN SCREW   |
| 2            | 179  | 1         | 1         | 671825001            |                   | FRONTTEIL                 |                                | FRONT COVER           |
| 2            | 180  | 2         | 2         | 671007004            |                   | SCHEIBE                   | 5                              | WASHER                |
| 2            | 181  | 6         | 6         | 671001037            |                   | SCHRAUBE SELBSTSCHNEIDEND | 5x16                           | SELF-TAPPING SCREW    |

PM5600S3R, PLM5600N2



- 1** Führungsholm, Grasfangkorb  
Guide tube, gras catcher
  
- 2** Gehäuse, Räder, Messer  
Housing, wheels, blade

|  | <b>Zeichenerklärung</b>  | <b>Key to symbols</b>   |
|--|--|---|
| <b>=&gt; 1999999</b><br><b>2000000 =&gt;</b><br><b>2003.04 =&gt;</b><br><b>TI 2003/07</b><br><b>Acc.</b><br><b>=</b><br><b>{</b><br><b>m</b><br><b>Corr.</b> | Produktion bis Serien-Nr.<br>Neues Teil ab Serien-Nr.<br>Neues Teil ab Jahr / Monat<br>Siehe Technische Information Jahr / Nr.<br>Zubehör (nicht im Lieferumfang)<br>Keine Serienausführung, jedoch verwendbar<br>Beinhaltet Positions-Nr.<br>Meterware<br>Druckfehlerberichtigung | Production to serial number<br>New part from serial number<br>New part from Year / Month<br>See Technical Information Year / No.<br>Accessories (not included in the delivery inventory)<br>No standard execution, may be used<br>Contains item number<br>Sold by the meter<br>Error correction |
|  | Änderungen vorbehalten   | Specifications subject to change without notice   |