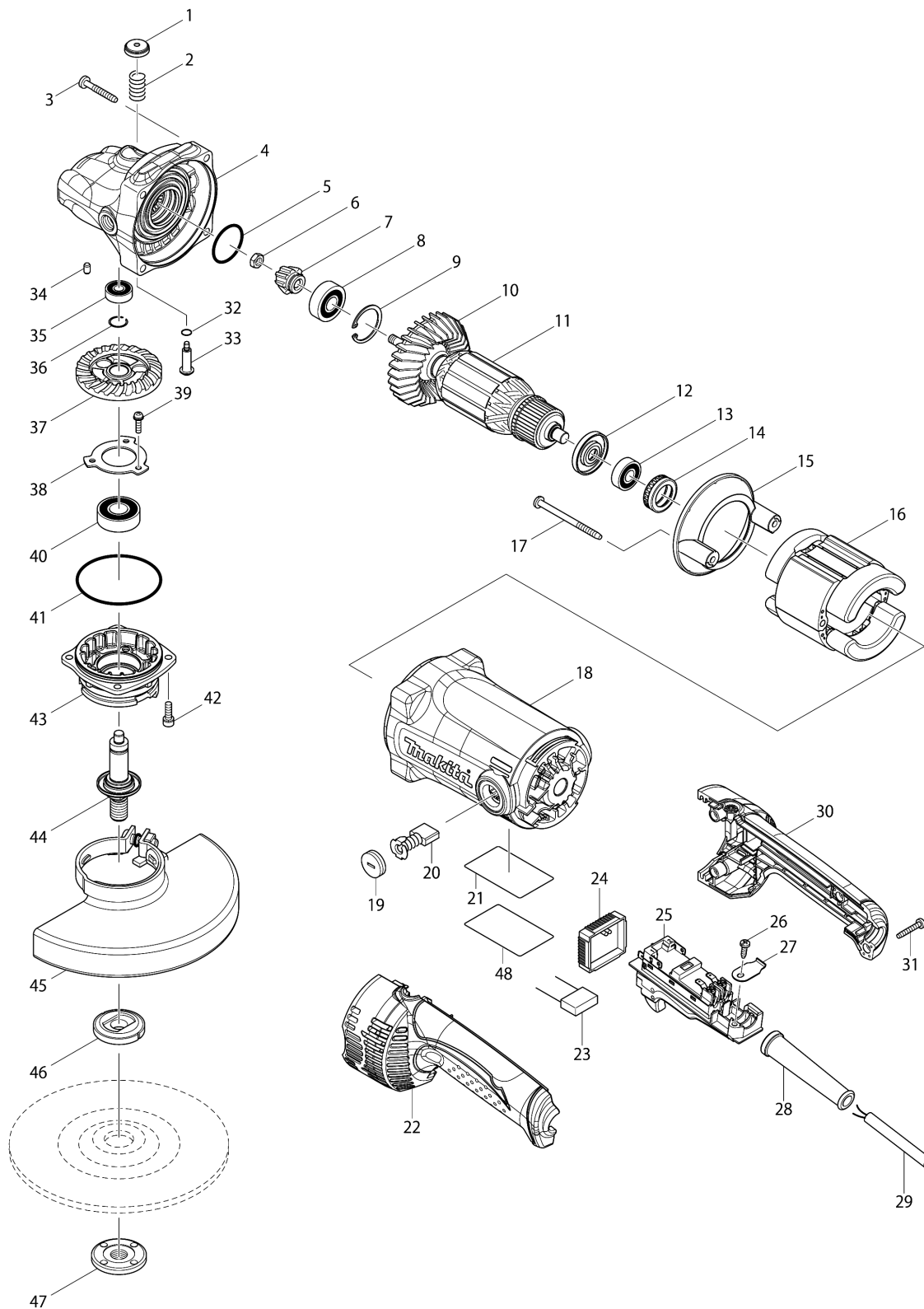


Model No.GA7050R 180MM ANGLE GRINDER



Model No.GA7050R 180MM ANGLE GRINDER

Item	Parts No.	Description	I/C	Qty	New/Old	Opt. 1	Opt. 2	Note
001	451485-7	PIN CAP		1				
002	233292-8	COMPRESSION SPRING 12		1				
003	266373-3	TAPPING SCREW 5X35		4	*			
003-1	266012-5	TAPPING SCREW 5X35	O	4				
004	140223-9	GEAR HOUSING COMPLETE		1	*			
C10	262153-5	FELT RING 16		1	*			
004-1	143016-3	GEAR HOUSING COMPLETE	<	1				
C10	262153-5	FELT RING 16		1				
005	213487-9	O RING 31		1	*			
005-1	213883-1	O-RING 31	O	1				
006	264010-3	HEX.NUT M7		1				
007	227564-1	SPIRAL BEVEL GEAR 10A		1				
008A	211129-9	BALL BEARING 6201DDW		1	*			
008-1A	211137-0	BALL BEARING 6201LLU	<	1				
008-1B	211137-0	BALL BEARING 6201LLU		1				
009	257965-9	RETAINING RING (INT) R-32		1				
010	240120-0	FAN 80		1				
011	518747-7	ARMATURE ASSEMBLY 240V		1				
D10		INC. 10,12,13						
012	681657-2	INSULATION WASHER		1				
013	210059-1	BALL BEARING 6000DDW		1				
014	421490-8	RUBBER RING 26		1				
015	451480-7	BAFFLE PLATE		1				
016	527700-2	FIELD ASSEMBLY 240V		1				
C10	654098-5	RECEPTACLE		2				
017	266389-8	TAPPING SCREW 5X70		2				
018	140222-1	MOTOR HOUSING COMPLETE		1				
C10	643707-1	BRUSH HOLDER		2				
019	643700-5	BRUSH HOLDER CAP 7-18		2				
020	191957-7	A.C. CARBON BRUSH CB-204		1				
021	867568-7	GA7050R NAME PLATE		1				
022	188849-9	HANDLE SET		1				
C10	423404-3	SPONGE SHEET		1				
C20	451488-1	LENS		1				
D10		INC. 30						
023	645088-9	NOISE SUPPRESSOR		1				
024	631944-9	CONTROLLER		1				
025	650107-8	SWITCH TG08-2300-013		1				
026	266385-6	TAPPING SCREW 4X14		1	*			
026-1	266192-7	TAPPING SCREW 4X14	O	1				
027	687169-3	STRAIN RELIEF		1				
028	682574-9	CORD GUARD 10-90		1				

Please order the parts with part number.

Print Date 3/6/2019

Model No.GA7050R 180MM ANGLE GRINDER

Item	Parts No.	Description	I/C	Qty	New/Old	Opt. 1	Opt. 2	Note
029	665865-3	POWER SUPPLY CORD 1.0-2-2.5		1				
030	188849-9	HANDLE SET		1				
C10	423404-3	SPONGE SHEET		1				
C20	451488-1	LENS		1				
D10		INC. 22						
031	266374-1	TAPPING SCREW 4X25		4	*			
031-1	265999-8	TAPPING SCREW 4X25	O	4				
032	213026-5	O RING 7		1				
033	256516-5	SHOULDER PIN 11		1				
034	263002-9	RUBBER PIN 4		1				
035	210029-0	BALL BEARING 608ZZ		1				
036	233925-5	RING SPRING 13		1				
037	227562-5	SPIRAL BEVEL GEAR 38		1				
038	285851-4	BEARING RETAINER		1				
039	911128-8	P.H.SCREW M4X16 WITH WR		3				
040	211241-5	BALL BEARING 6202DDW		1				
041	213720-9	O RING 67		1				
042	922221-3	HEX. SOCKET HEAD BOLT M5X16		4				
043	318523-7	BEARING BOX		1				
044	140224-7	SPINDLE COMPLETE A		1				
C10	346166-5	LABYRINTH RING 23		1				
045	122889-7	WHEEL COVER 180K ASSEMBLY		1				
C10	213017-6	O RING 6		1				
C20	265198-2	+PAN HEAD SCREW M8X25		1				
046A	224415-9	INNER FLANGE 42		1				
046B	122444-5	INNER FLANGE 47 ASS'Y		1				
047	224543-0	LOCK NUT 14-45		1				
048A	819392-4	CLEAR LABEL		1	*			
048-1	892805-0	CLEAR LABEL		1	*			
048-2	805W68-7	CLEAR LABEL	O	1	*			
A01	152539-0	GRIP 36 COMPLETE		1				
A02	782407-9	LOCK NUT WRENCH 35		1	*			
A02-1	197610-3	LOCK NUT WRENCH 35 SET	O	1				

Please order the parts with part number.

Print Date 3/6/2019