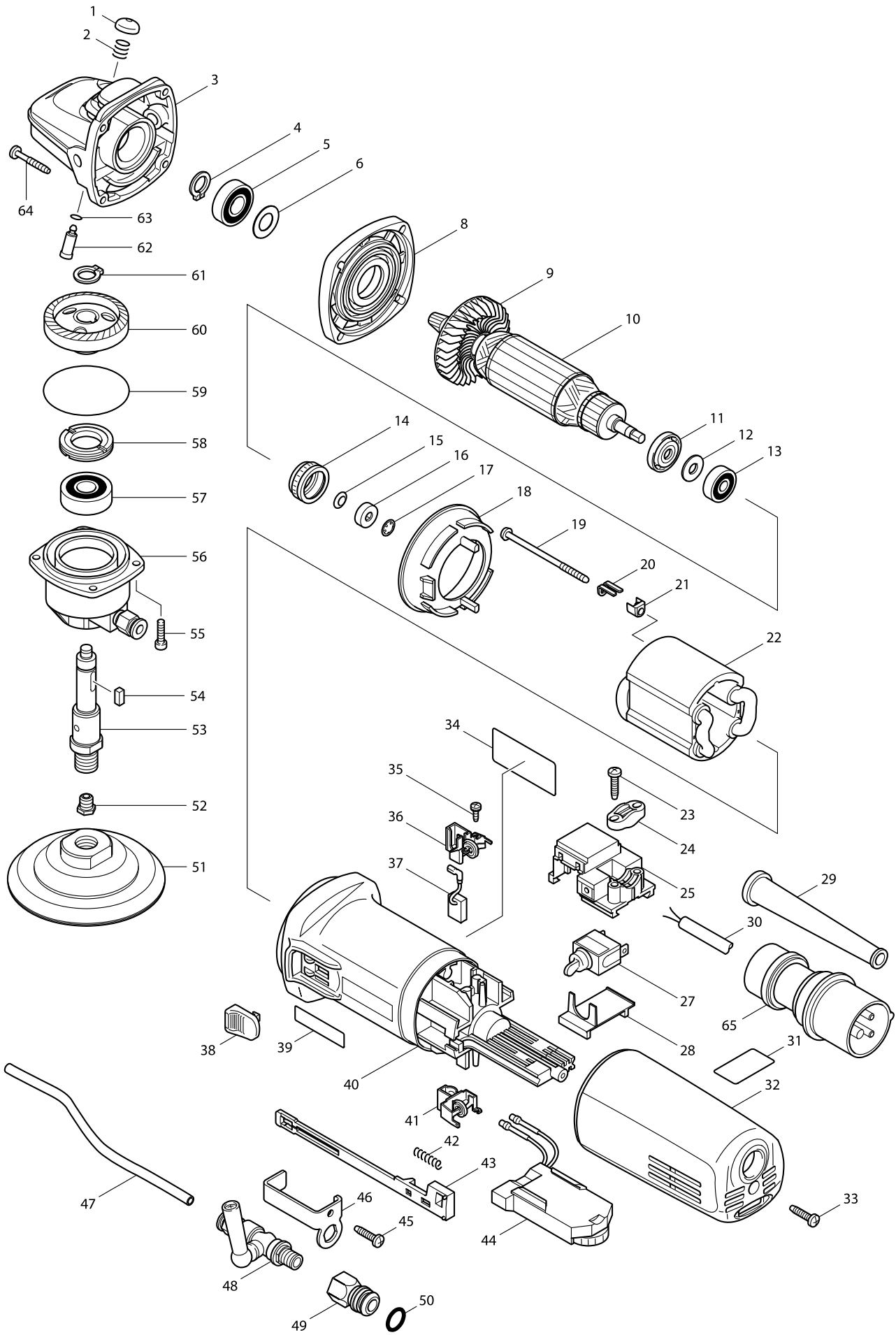


# Model No. PW5000C STONE POLISHER 125MM



# Model No. PW5000C STONE POLISHER 125MM

Item	Parts No.	Description	I/C	Qty	N/O	Opt. 1	Opt. 2	Note
001	417236-8	PIN CAP		1	*			
001-1	418067-8	PIN CAP	S	1				
002	233072-2	COMPRESSION SPRING 8		1				
003	153718-3	GEAR HOUSING COMPLETE		1	*			
003-1	153488-4	GEAR HOUSING COMPLETE	S	1				
004	961052-5	RETAINING RING S-12		1				
005	211131-2	BALL BEARING 6001DDW		1	*			
005-1	210105-0	BALL BEARING 6001LLU	<	1				
006	253084-9	FLAT WASHER 12		1				
008	317359-1	GEAR HOUSING COVER		1				
009	240033-5	FAN 57		1				
010	515266-4	ARMATURE ASS'Y 115V		1				
D10		INC. 9,11,12,13						
011	681656-4	INSULATION WASHER		1				
012	253823-7	FLAT WASHER 7		1				
013	210027-4	BALL BEARING 627DDW		1				
014	421738-8	LABYRINTH RUBBER RING 22		1				
015	267756-0	WAVE WASHER 6		1				
016	688117-5	MAGNET SLEEVE		1				
017	259039-2	SELF LOCK 6		1				
018	413076-2	BAFFLE PLATE		1				
019	266258-3	TAPPING SCREW 4X70		2				
020	344871-8	RETAINER		2				
021	417237-6	INSULATION COVER		2				
022	626546-4	FIELD 115V		1				
023	265995-6	TAPPING SCREW 4X18		2				
024	687052-4	STRAIN RELIEF		1				
025	632945-0	SWITCH BLOCK		1				
027	651418-4	SWITCH ST115A-40		1				
028	687113-0	COVER		1				
029	682566-8	CORD GUARD 10		1				
030	665937-4	POWER SUPPLY CORD 1.0-2-5.0		1				
031	816398-3	INDICATION LABEL		1				
032	418453-3	REAR COVER		1				
033	265995-6	TAPPING SCREW 4X18		1				
034	860101-4	NAME PLATE PW5000C		1				
035	266256-7	TAPPING SCREW PT3X10		4				
036	643765-7	BRUSH HOLDER		1				
037	191978-9	A.C. CARBON BRUSH CB-318		1				
038	417813-6	SWITCH KNOB		1				
039	819080-3	MAKITA LABEL		1	*			
040	183740-6	MOTOR HOUSING		1	*			
D10		INC. 39			*			
040-1	418512-3	MOTOR HOUSING	<	1				
041	643805-1	BRUSH HOLDER		1				
042	233071-4	COMPRESSION SPRING 4		1				
043	417186-7	SWITCH LEVER		1				
044	631595-8	CONTROLLER		1				

