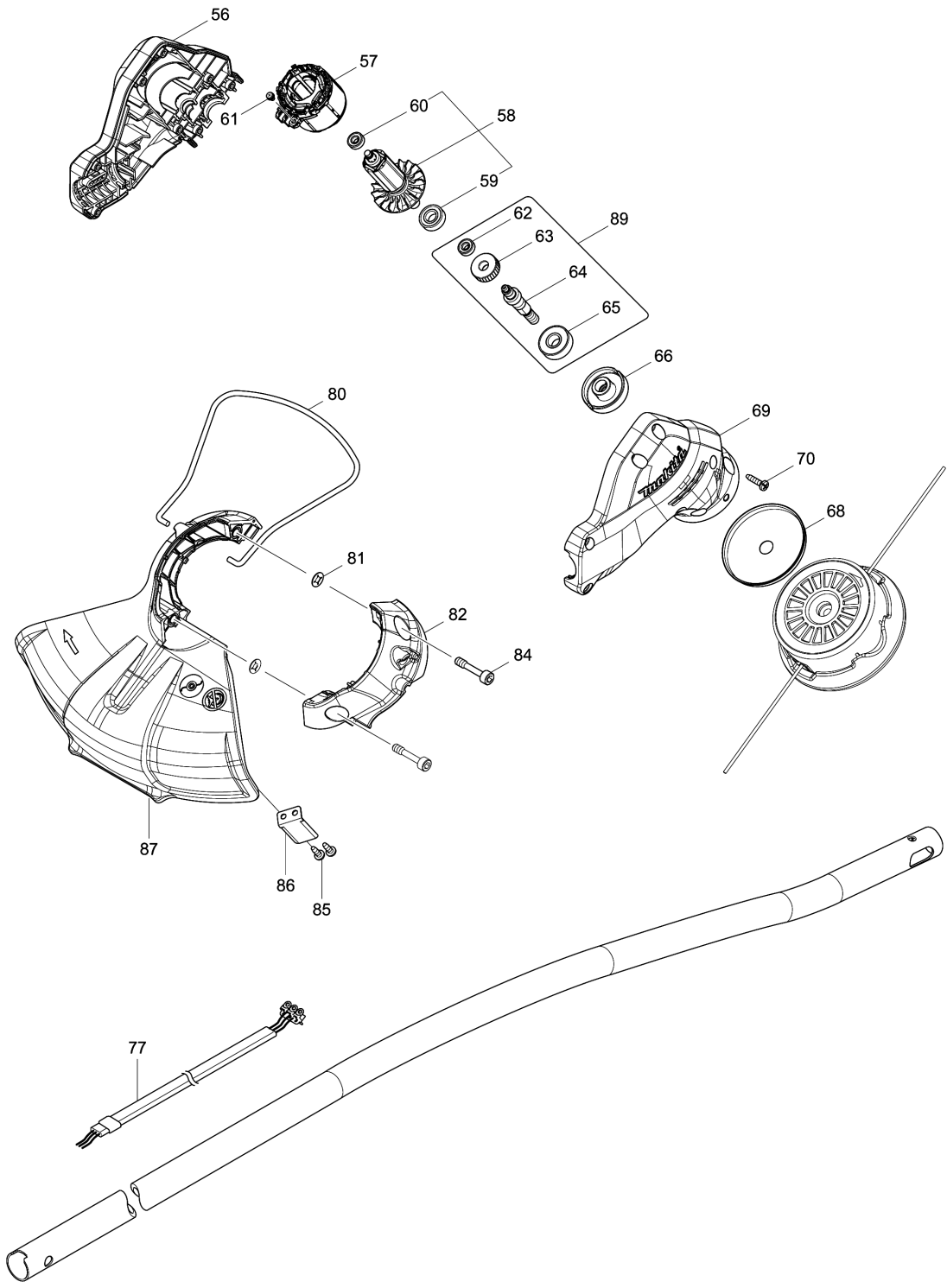






Model No.DUR189 CORDLESS GRASS TRIMMER





Model No.DUR189 CORDLESS GRASS TRIMMER

Item	Parts No.	Description	I/C	Qty	New/Old	Opt. 1	Opt. 2	Note
001	456671-5	LOCK OFF LEVER		1				
002	233621-5	TORSION SPRING 9		1				
003	140B61-1	SUB CONTROLLER COMPLETE		1				
C10	816X50-7	SWITCH LABEL		1				
C20	816X51-5	INDICATION LABEL		1				
004	456647-2	RUBBER SLEEVE 24 A		1				
005	453344-1	LOCK SLEEVE		1				
007	632E26-0	SWITCH UNIT		1				
008	456670-7	SWITCH LEVER		1				
009	233612-6	TORSION SPRING 10		1				
010	456423-4	LOOP HANDLE 24		1				
011	921382-6	HEX. BOLT M6X60		1				
012	264072-1	THUMB NUT M6		1				
026	183E59-3	GRIP HOUSING SET		1				
C10	263005-3	RUBBER PIN 6		2				
D10		INC. 30						
027	854K68-2	DUR189 SERIAL NO. LABEL		1				
028	620910-1	CONTROLLER		1	*			
028-1	620910-1	CONTROLLER	O	1				
030	183E59-3	GRIP HOUSING SET		1				
C10	263005-3	RUBBER PIN 6		2				
D10		INC. 26						
031	266326-2	TAPPING SCREW 4X18		10				
032	854K62-4	DUR189 NAME PLATE		1				
033	644808-8	TERMINAL		1				
034	456648-0	PIPE CAP		1				
056	183F18-3	MOTOR HOUSING SET		1				
D10		INC. 69						
057	629248-1	STATOR		1				
058	519429-4	ROTOR ASS'Y		1	*			
D10		INC. 59,60			*			
058-1	519429-4	ROTOR ASS'Y	O	1				
D10		INC. 59,60						
059	210049-4	BALL BEARING 609ZZ		1				
060	211157-4	BALL BEARING 695ZZ		1				
061	652069-6	FLAT HEAD SCREW M3X6		3				
062	211157-4	BALL BEARING 695ZZ		1				
063	221492-2	HELICAL GEAR 26		1				
064	327132-1	CUTTER SHAFT		1				
065	210059-1	BALL BEARING 6000DDW		1				
066	144512-4	RECEIVE WASHER COMPLETE		1				
C10	213055-8	O RING 10		1				

Please order the parts with part number.

Print Date 27/3/2020

Model No.DUR189 CORDLESS GRASS TRIMMER

Item	Parts No.	Description	I/C	Qty	New/Old	Opt. 1	Opt. 2	Note
068	346857-8	GUARD		1				
069	183F18-3	MOTOR HOUSING SET		1				
D10		INC. 56						
070	266326-2	TAPPING SCREW 4X18		8				
071	424567-8	RUBBER SLEEVE 24		1				
075	135955-1	PIPE ASS'Y		1				
C10	816X52-3	CAUTION LABEL		1				
D10		INC. 34						
077	699114-6	POWER SUPPLY CORD UNIT		1				
C10	680391-1	SPONGE SHEET		1				
080	326348-5	WIRE GUARD		1				
081	413143-3	WASHER		2				
082	454641-8	PROTECTOR HOLDER		1				
084	265647-9	HEX SOCKET HEAD BOLT M6X30 W		2				
085	266427-6	TAPPING SCREW 4X12		2				
086	346855-2	CUTTER		1				
087	456651-1	PROTECTOR		1				
089	135967-4	GEAR ASSEMBLY		1				
D10		INC. 62-65						
A01	198971-4	TRIMMER HEAD 95-M8R SET ME		1				
A02	125516-5	BAND ASSEMBLY		1				
A04	783202-0	HEX. WRENCH 4		1				
A05	783217-7	HEX. WRENCH 5		1				
A06	831304-7	ACCESSORY BAG		1				
A07B	450128-8	BATTERY COVER		1				
A08B	***DC18RC	DC18RC FAST CHARGER		1				
D10		COMPO-PARTS						
A09B	197280-8	BATTERY BL1850B SET		1	*			
A09-1B	197280-8	BATTERY BL1850B SET	O	1				
E01	817C33-4	SOUND 92DB LABEL		1				

Please order the parts with part number.

Print Date 27/3/2020