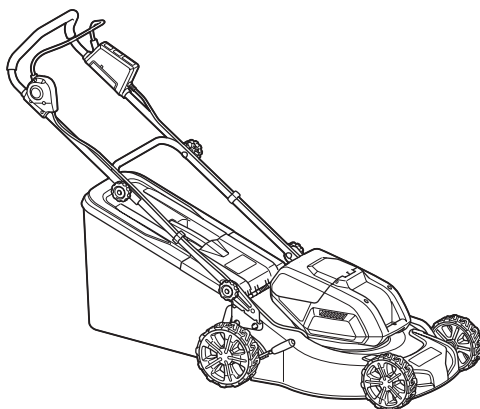




<b>EN</b>	Cordless Lawn Mower	<b>INSTRUCTION MANUAL</b>	<b>8</b>
<b>SV</b>	Batteridrivnen gräsklippare	<b>BRUKSANVISNING</b>	<b>18</b>
<b>NO</b>	Batteridrevet gressklipper	<b>BRUKSANVISNING</b>	<b>28</b>
<b>FI</b>	Akkukäyttöinen ruohonleikkuri	<b>KÄYTTÖOHJE</b>	<b>38</b>
<b>LV</b>	Bezvada zāles pļaujmašīna	<b>LIETOŠANAS INSTRUKCIJA</b>	<b>48</b>
<b>LT</b>	Belaidė vejapjovė	<b>NAUDOJIMO INSTRUKCIJA</b>	<b>58</b>
<b>ET</b>	Juhtmeta muruniiduk	<b>KASUTUSJUHEND</b>	<b>68</b>
<b>RU</b>	Аккумуляторная Газонокосилка	<b>РУКОВОДСТВО ПО ЭКСПЛУАТАЦИИ</b>	<b>78</b>

**DLM460**  
**DLM461**



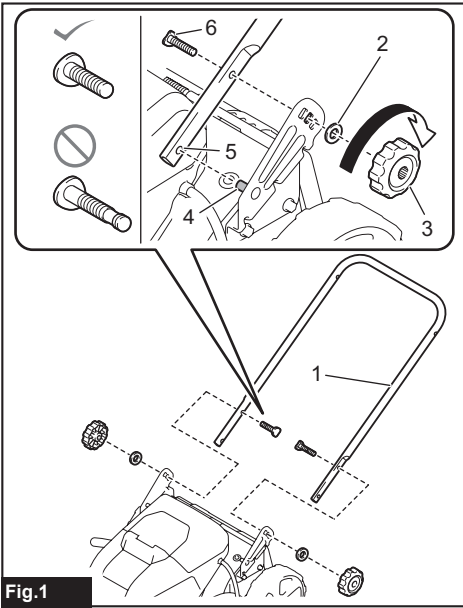


Fig.1

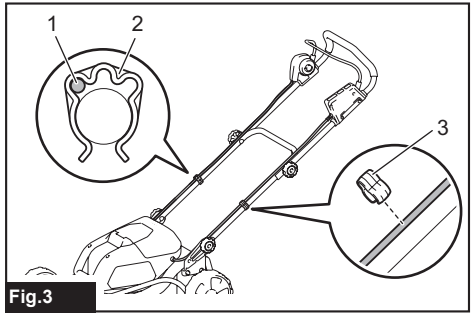


Fig.3

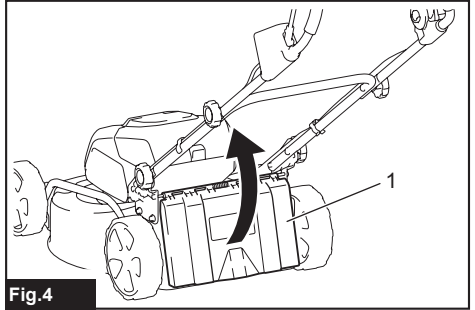


Fig.4

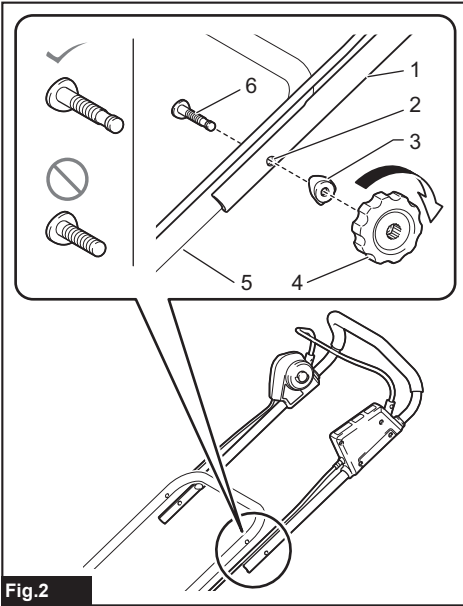


Fig.2

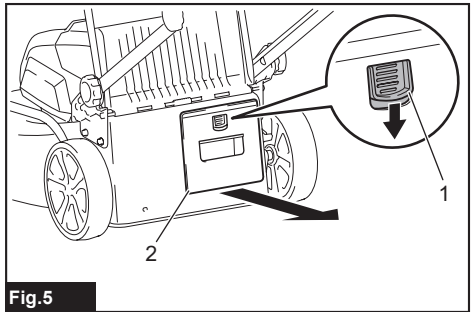


Fig.5

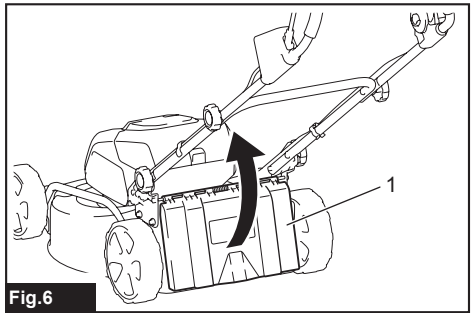


Fig.6

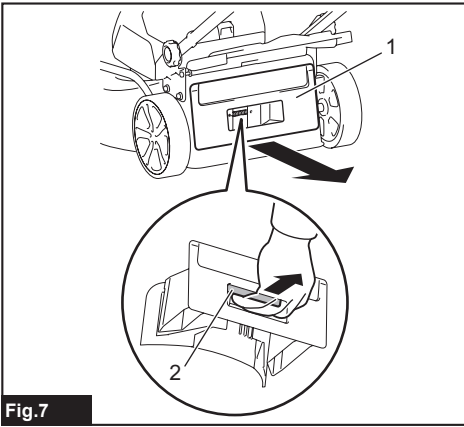


Fig.7

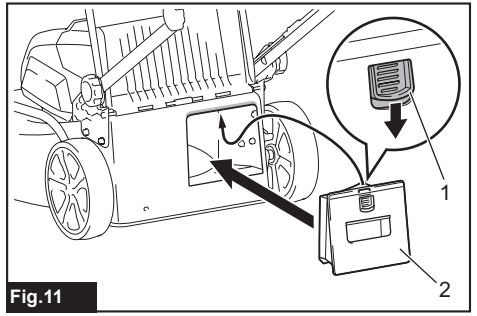


Fig.11

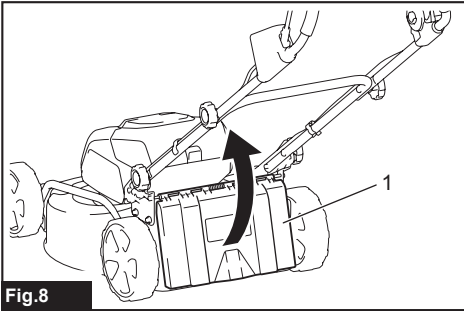


Fig.8

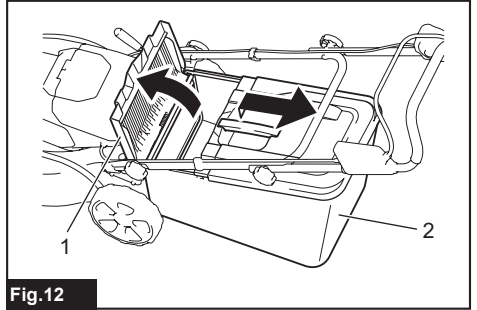


Fig.12

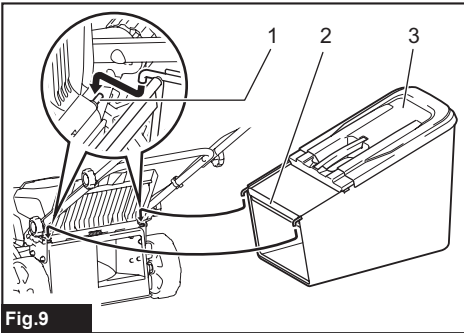


Fig.9

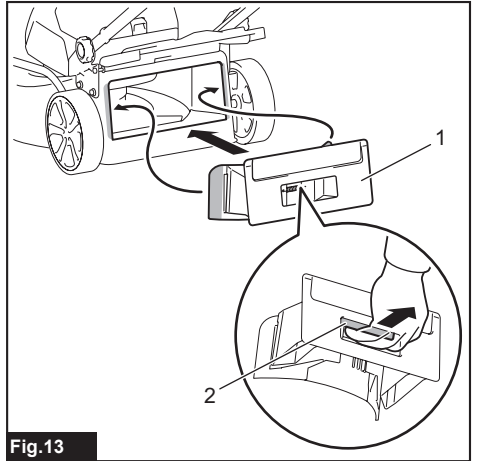


Fig.13

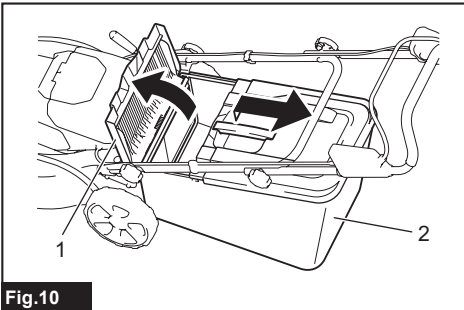


Fig.10

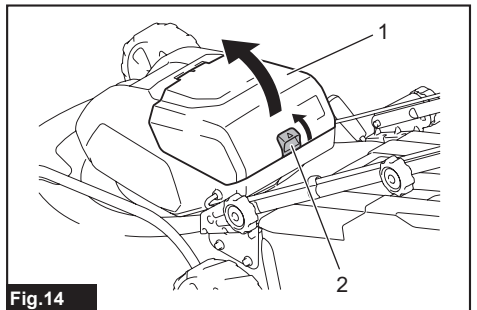


Fig.14

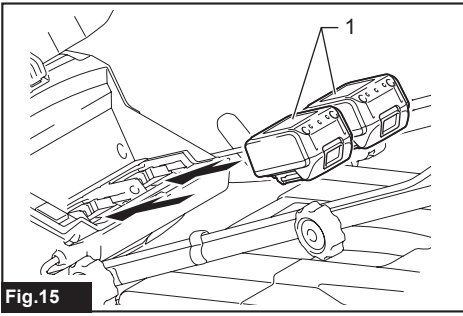


Fig.15

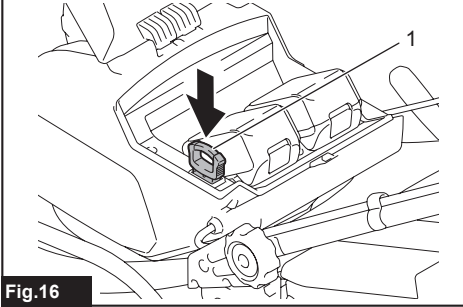


Fig.16

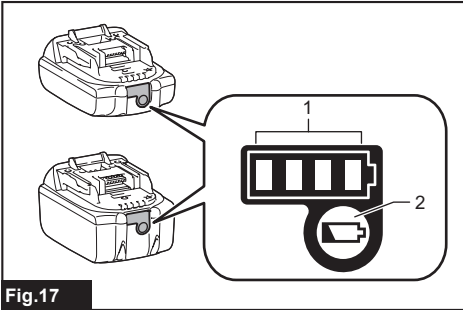


Fig.17

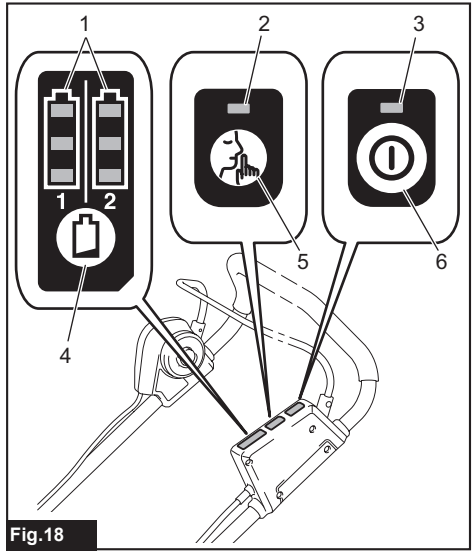


Fig.18

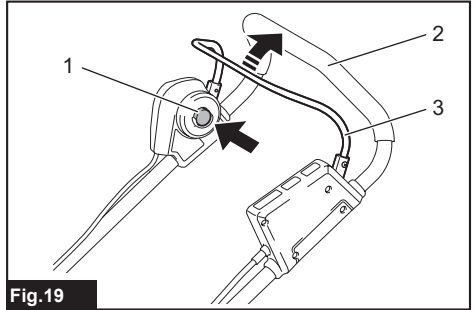


Fig.19

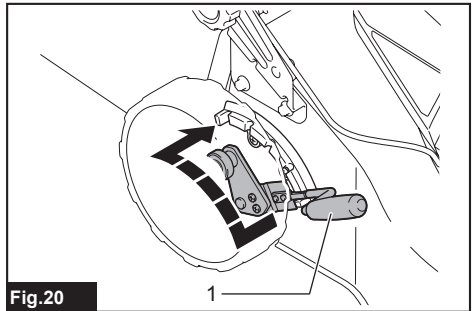


Fig.20

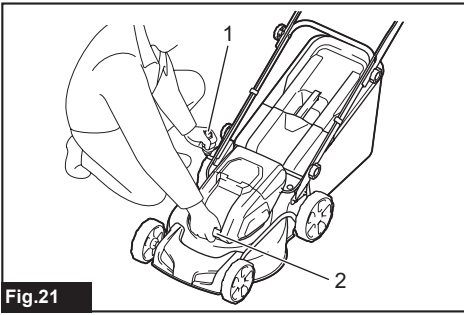


Fig.21

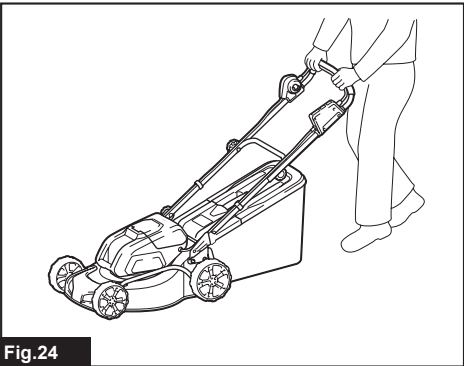


Fig.24

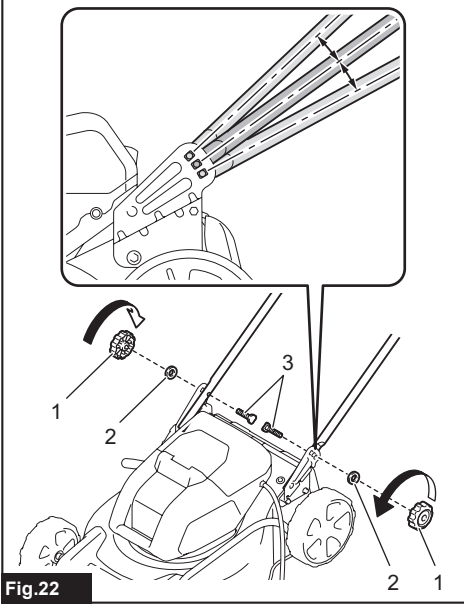


Fig.22

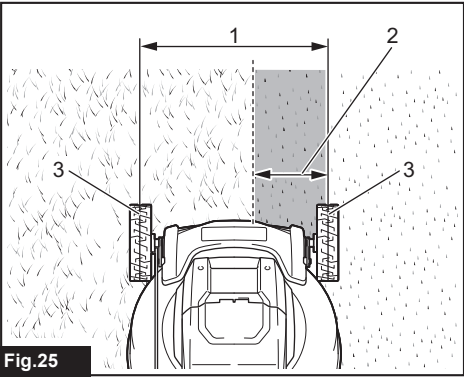


Fig.25



Fig.23

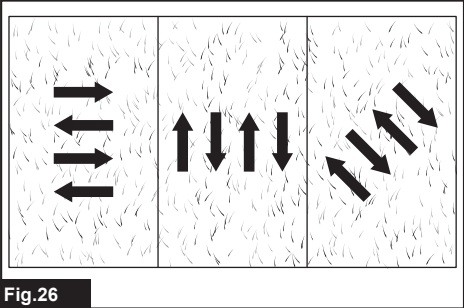


Fig.26

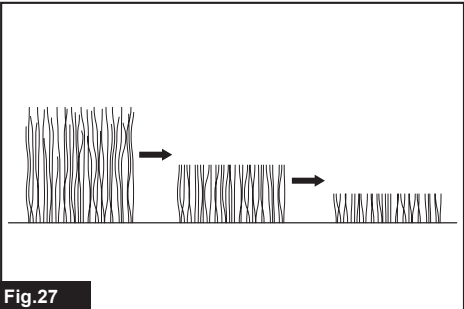
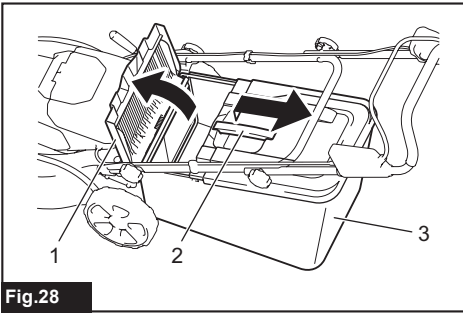
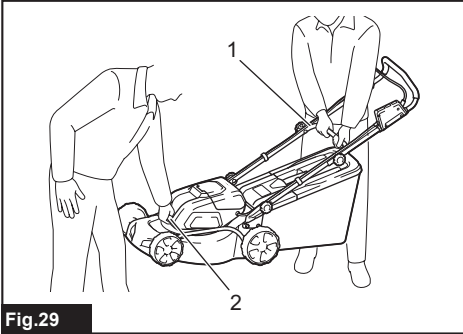


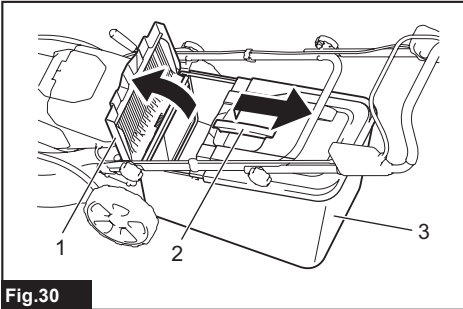
Fig.27



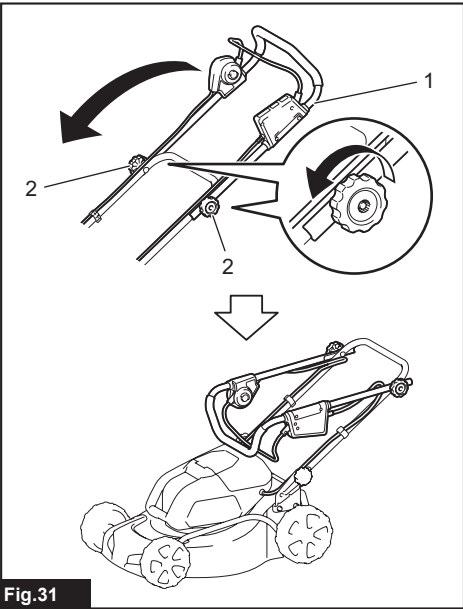
**Fig.28**



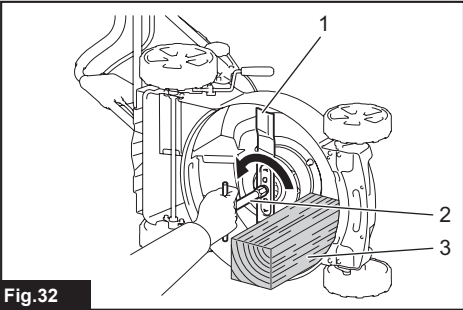
**Fig.29**



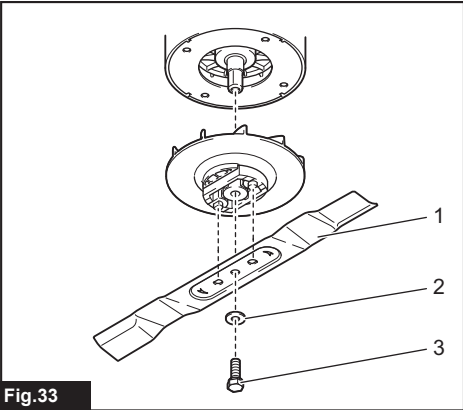
**Fig.30**



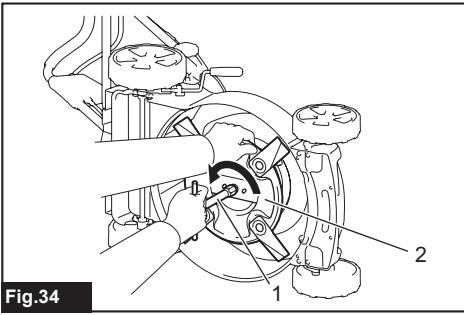
**Fig.31**



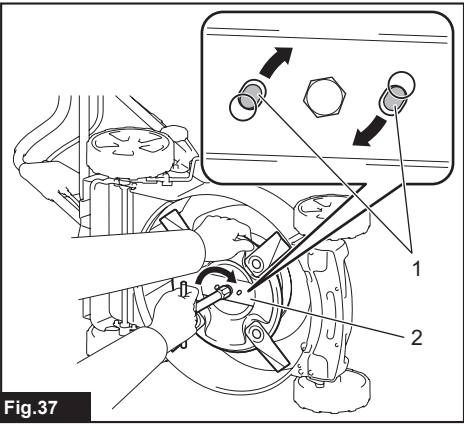
**Fig.32**



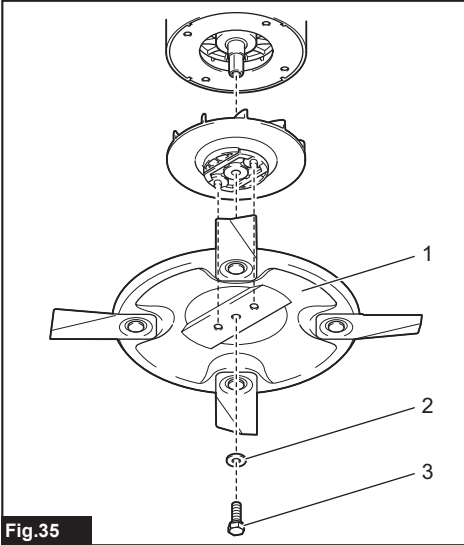
**Fig.33**



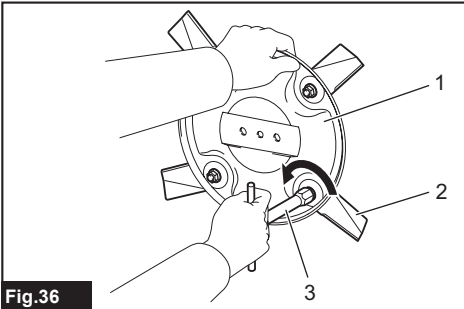
**Fig.34**



**Fig.37**



**Fig.35**



**Fig.36**

# SPECIFICATIONS

Model:		DLM460	DLM461
Mowing width (blade diameter)		460 mm	
No load speed		2,500 min <sup>-1</sup>	
Maximum speed		3,300 min <sup>-1</sup>	
Part number of replacement mower blade		199367-2	199368-0
Dimensions (L x W x H)	during operation	L: 1,319 mm to 1,518 mm W: 532 mm H: 879 mm to 1,138 mm	
	when stored (without grass basket)	L: 1,004 mm to 1,125 mm W: 532 mm H: 533 mm to 713 mm	
Rated voltage		D.C. 36 V	
Net weight		25.3 - 27.6 kg	26.6 - 28.4 kg
Protection degree		IPX4	

- Due to our continuing program of research and development, the specifications herein are subject to change without notice.
- Specifications and battery cartridge may differ from country to country.
- The weight may differ depending on the attachment(s), including the battery cartridge. The lightest and heaviest combination, according to EPTA-Procedure 01/2014, are shown in the table.

### Applicable battery cartridge







BL1815N / BL1820 / BL1820B / BL1830 / BL1830B / BL1840 / BL1840B / BL1850 / BL1850B / BL1860B

- Some of the battery cartridges listed above may not be available depending on your region of residence.

**⚠ WARNING: Only use the battery cartridges listed above.** Use of any other battery cartridges may cause injury and/or fire.

## Symbols

The followings show the symbols used for the equipment. Be sure that you understand their meaning before use.

	Take particular care and attention.
	Read instruction manual.
	Danger; be aware of thrown objects.
	The distance between the tool and bystanders must be at least 15 m.
	Never put your hands and feet near the blade under the mower. Blades continue to rotate after the motor is switched off.
	Remove the lock key before inspecting, adjusting, cleaning, servicing, leaving and storing the mower.



Ni-MH  
Li-ion

Only for EU countries  
Do not dispose of electric equipment or battery pack together with household waste material!

In observance of the European Directives, on Waste Electric and Electronic Equipment and Batteries and Accumulators and Waste Batteries and Accumulators and their implementation in accordance with national laws, electric equipment and batteries and battery pack(s) that have reached the end of their life must be collected separately and returned to an environmentally compatible recycling facility.

## Intended use

The tool is intended for lawn mowing.

## Noise

The typical A-weighted noise level determined according to EN60335-2-77:

### Model DLM460

Sound pressure level ( $L_{pA}$ ) : 79 dB(A)

Sound power level ( $L_{WA}$ ) : 91 dB (A)

Uncertainty (K) : 3.4 dB(A)

The noise level under working may exceed 80 dB (A).



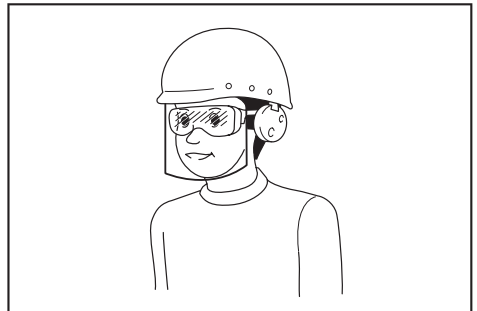
# SAFETY WARNINGS

## Lawn Mower Safety Instructions

**▲WARNING:** Read all safety warnings and all instructions. Failure to follow the warnings and instructions may result in electric shock, fire and/or serious injury.

### Save all warnings and instructions for future reference.

1. Do not insert the lock key into mower until it is ready to be used.
2. Children should be supervised to ensure that they do not play with the mower.
3. Never allow children or people unfamiliar with these instructions to use the mower. Local regulations can restrict the age of the operator.
4. Never operate the mower while people, especially children, or pets are nearby.
5. Keep in mind that the operator or user is responsible for accidents or hazards occurring to other people or their property.
6. While operating the mower, always wear substantial footwear and long trousers. Do not operate the mower when barefoot or wearing open sandals. Avoid wearing clothing or jewelry that is loose fitting or that has hanging cords or ties. They can be caught in moving parts.
7. Always wear protective goggles to protect your eyes from injury when using power tools. The goggles must comply with ANSI Z87.1 in the USA, EN 166 in Europe, or AS/NZS 1336 in Australia/New Zealand. In Australia/New Zealand, it is legally required to wear a face shield to protect your face, too.



It is an employer's responsibility to enforce the use of appropriate safety protective equipments by the tool operators and by other persons in the immediate working area.

8. Operate the mower only in daylight or in good artificial light.
9. Avoid operating the mower in wet grass.

**NOTE:** The declared noise emission value(s) has been measured in accordance with a standard test method and may be used for comparing one tool with another.

**NOTE:** The declared noise emission value(s) may also be used in a preliminary assessment of exposure.

**▲WARNING:** Wear ear protection.

**▲WARNING:** The noise emission during actual use of the power tool can differ from the declared value(s) depending on the ways in which the tool is used especially what kind of workpiece is processed.

**▲WARNING:** Be sure to identify safety measures to protect the operator that are based on an estimation of exposure in the actual conditions of use (taking account of all parts of the operating cycle such as the times when the tool is switched off and when it is running idle in addition to the trigger time).

## Vibration

The vibration total value (tri-axial vector sum) determined according to EN60335-2-77:

### Model DLM460

Vibration emission ( $a_h$ ): 2.5 m/s<sup>2</sup> or less  
Uncertainty (K): 1.5 m/s<sup>2</sup>

**NOTE:** The declared vibration total value(s) has been measured in accordance with a standard test method and may be used for comparing one tool with another.

**NOTE:** The declared vibration total value(s) may also be used in a preliminary assessment of exposure.

**▲WARNING:** The vibration emission during actual use of the power tool can differ from the declared value(s) depending on the ways in which the tool is used especially what kind of workpiece is processed.

**▲WARNING:** Be sure to identify safety measures to protect the operator that are based on an estimation of exposure in the actual conditions of use (taking account of all parts of the operating cycle such as the times when the tool is switched off and when it is running idle in addition to the trigger time).

## EC Declaration of Conformity

### For European countries only

The EC declaration of conformity is included as Annex A to this instruction manual.

10. **Battery tool use and care**
  - **Recharge only with the charger specified by the manufacturer.** A charger that is suitable for one type of battery cartridge may create a risk of fire when used with another battery cartridge.
  - **Use power tools only with specifically designated battery cartridges.** Use of any other battery cartridges may create a risk of injury and fire.
  - **When battery cartridge is not in use, keep it away from other metal objects, like paper clips, coins, keys, nails, screws or other small metal objects, that can make a connection from one terminal to another.** Shorting the battery terminals together may cause burns or a fire.
  - **Under abusive conditions, liquid may be ejected from the battery; avoid contact.** If contact accidentally occurs, flush with water. If liquid contacts eyes, additionally seek medical help. Liquid ejected from the battery may cause irritation or burns.
  - **Do not dispose of the battery(ies) in a fire.** The cell may explode. Check with local codes for possible special disposal instructions.
  - **Do not open or mutilate the battery(ies).** Released electrolyte is corrosive and may cause damage to the eyes or skin. It may be toxic if swallowed.
  - **Do not charge battery in rain, or in wet locations.**
11. **Always keep a firm hold on the handle.**
12. **Always be sure of your footing on slopes.**
13. **Walk, never run.**
14. **Don't grasp the exposed cutting blades or cutting edges when picking up or holding the mower.**
15. **Physical condition - Do not operate mower while under the influence of drugs, alcohol, or any medication.**
16. **Keep hands and feet away from rotating blades. Caution - Blades coast after the mower is switched off.**
17. **Use only the manufacturer genuine blades specified in this manual.**
18. **Check the blades or blade bolts carefully for cracks or damage before operation. Replace cracked or damaged blades or blade bolts immediately.**
19. **Be sure the area is clear of other people before mowing. Stop mower if anyone enters the area.**
20. **Remove foreign matters such as rocks, wire, bottles, bones and large sticks from the work area before mowing to prevent personal injury or damage to the mower.**
21. **Stop operation immediately if you notice anything unusual. Switch off the mower and remove the key. Then inspect the mower.**
22. **Never attempt to make cutting height adjustments while mower is running if the mower has cutting height adjustment feature.**
23. **Release switch lever and wait for blade rotation to stop before crossing driveways, walks, roads, and any gravel-covered areas. Also remove the lock key if you leave the mower, reach to pick up or remove something out of your way, or for any other reason that may distract you from what you are doing.**
24. **Objects struck by the mower blade can cause severe injuries to persons. The lawn should always be carefully examined and cleared of all objects prior to each mowing.**
25. **If the mower strikes a foreign object, follow these steps:**
  - **Stop the mower, release the switch lever and wait until the blade comes to a complete stop.**
  - **Remove the lock key and the battery cartridge.**
  - **Thoroughly inspect the mower for any damage.**
  - **Replace the blade if it is damaged in any way. Repair any damage before restarting and continuing to operate the mower.**
26. **Check the grass basket frequently for wear or deterioration. For storage, always make sure the grass basket is empty. Replace a worn grass basket with a new factory replacement for safety.**
27. **Use extreme caution when reversing or pulling the mower towards you.**
28. **Stop the blade(s) if the mower has to be tilted for transportation when crossing surfaces other than grass, and when transporting the mower to and from the area to be used.**
29. **Never operate the mower with defective guards or shields, or without safety devices, for example deflectors and/or grass basket, in place.**
30. **Switch on the mower carefully according to instructions and with feet well away from the blade(s).**
31. **Do not tilt the mower when switching on the motor, except if the mower has to be tilted for starting. In this case, do not tilt it more than absolutely necessary and lift only the part, which is away from the operator.**
32. **Do not start the mower when standing in front of the discharge opening.**
33. **Do not put hands or feet near or under rotating parts. Keep clear of the discharge opening at all times.**
34. **Do not transport the mower while the mower is turned on.**
35. **Stop the mower, and remove the disabling device. Make sure that all moving parts have come to a complete stop**
  - **whenever you leave the mower,**
  - **before clearing blockages or unclogging chute,**
  - **before checking, cleaning or working on the mower,**
  - **after striking a foreign object. Inspect the mower for damage and make repairs before restarting and operating the mower.**
36. **If the mower starts to vibrate abnormally (check immediately)**
  - **inspect for damage,**
  - **replace or repair any damaged parts,**
  - **check for and tighten any loose parts.**
37. **Be careful during adjustment of the mower to prevent entrapment of the fingers between moving blades and fixed parts of the mower.**

38. Mow across the face of slopes, never up and down. Exercise extreme caution when changing direction on slopes. Do not mow excessively steep slopes.
39. Check the blade mounting bolt at frequent intervals for proper tightness.
40. Keep all nuts, bolts, and screws tight to be sure the equipment is in safe working condition.
41. Always allow the mower to cool down before storing.
42. When servicing the blades be aware that, even though the power source is switched off, the blades can still be moved.
43. Replace worn or damaged parts for safety. Use only genuine replacement parts and accessories.
44. Do not use the machine when there is a risk of lightning.
45. When you use the machine on muddy ground, wet slope, or slippery place, pay attention to your footing.
46. Avoid working in poor environment where increased user fatigue is expected.
47. Do not use the machine in bad weather where visibility is limited. Failure to do so may cause fall or incorrect operation due to low visibility.
48. Do not replace the battery in the rain.
49. Do not submerge the machine into a puddle.
50. Do not leave the machine unattended outdoors in the rain.
51. Do not insert or remove the lock key in the rain.
52. When wet leaves or dirt adhere to the suction mouth (ventilation window) due to rain, remove them.
53. Do not wash the machine with high pressure water.
54. When washing the machine, be sure to remove the battery and lock key and close the battery cover, and pour water toward the bottom of the machine to which the blade is attached.
55. When storing the machine, avoid direct sunlight and rain, and store it in a place where it does not get hot or humid.
56. Perform inspection or maintenance in a place where rain can be avoided.
57. After using the machine, remove the adhered dirt and dry the machine completely before storing. Depending on the season or the area, there is a risk of malfunction due to freezing.
58. Do not wet the terminal of battery with liquid such as water, or submerge the battery. Do not leave the battery in the rain, nor charge, use, or store the battery in a damp or wet place. If the terminal gets wet or liquid enters inside of battery, the battery may be short circuited and there is a risk of overheat, fire, or explosion.
59. After removing the battery from the machine or charger, be sure to attach the battery cover to the battery and store it in a dry place.
60. Do not replace the battery with wet hands.
61. Do not use the machine in the snow.
62. If the cut-off grass is wet, it is likely to be clogged inside of the machine. Check the condition of the machine regularly, and remove the adhered grass as necessary.

## SAVE THESE INSTRUCTIONS.

**⚠WARNING:** DO NOT let comfort or familiarity with product (gained from repeated use) replace strict adherence to safety rules for the subject product.

MISUSE or failure to follow the safety rules stated in this instruction manual may cause serious personal injury.

### Important safety instructions for battery cartridge

1. Before using battery cartridge, read all instructions and cautionary markings on (1) battery charger, (2) battery, and (3) product using battery.
2. Do not disassemble battery cartridge.
3. If operating time has become excessively shorter, stop operating immediately. It may result in a risk of overheating, possible burns and even an explosion.
4. If electrolyte gets into your eyes, rinse them out with clear water and seek medical attention right away. It may result in loss of your eyesight.
5. Do not short the battery cartridge:
  - (1) Do not touch the terminals with any conductive material.
  - (2) Avoid storing battery cartridge in a container with other metal objects such as nails, coins, etc.
  - (3) Do not expose battery cartridge to water or rain.

A battery short can cause a large current flow, overheating, possible burns and even a breakdown.
6. Do not store the tool and battery cartridge in locations where the temperature may reach or exceed 50 °C (122 °F).
7. Do not incinerate the battery cartridge even if it is severely damaged or is completely worn out. The battery cartridge can explode in a fire.
8. Be careful not to drop or strike battery.
9. Do not use a damaged battery.
10. The contained lithium-ion batteries are subject to the Dangerous Goods Legislation requirements.
 

For commercial transports e.g. by third parties, forwarding agents, special requirement on packaging and labeling must be observed. For preparation of the item being shipped, consulting an expert for hazardous material is required. Please also observe possibly more detailed national regulations.

Tape or mask off open contacts and pack up the battery in such a manner that it cannot move around in the packaging.
11. Follow your local regulations relating to disposal of battery.

12. Use the batteries only with the products specified by Makita. Installing the batteries to non-compliant products may result in a fire, excessive heat, explosion, or leak of electrolyte.

## SAVE THESE INSTRUCTIONS.

**⚠CAUTION:** Only use genuine Makita batteries. Use of non-genuine Makita batteries, or batteries that have been altered, may result in the battery bursting causing fires, personal injury and damage. It will also void the Makita warranty for the Makita tool and charger.

## Tips for maintaining maximum battery life

1. Charge the battery cartridge before completely discharged. Always stop tool operation and charge the battery cartridge when you notice less tool power.
2. Never recharge a fully charged battery cartridge. Overcharging shortens the battery service life.
3. Charge the battery cartridge with room temperature at 10 °C - 40 °C (50 °F - 104 °F). Let a hot battery cartridge cool down before charging it.
4. Charge the battery cartridge if you do not use it for a long period (more than six months).

## ASSEMBLY

**⚠WARNING:** Always be sure that the lock key and battery cartridge are removed before carrying out any work on the mower. Failure to remove the lock key and the battery cartridge may result in serious personal injury from accidental start-up.

**⚠WARNING:** Never start the mower unless it is completely assembled. Operation of the tools in a partially assembled state may result in serious personal injury from accidental start-up.

## Installing the handle

**NOTICE:** When installing handles, position the cords so that they are not caught by anything between the handles. If the cord is damaged, the mower switch may not work.

1. Attach the lower handle so that the holes in the handle fit in the protrusions on the mower body. Insert the bolts from inside, then attach washer A from outside, and then tighten the thumb nuts.  
▶ **Fig.1:** 1. Lower handle 2. Washer A 3. Thumb nut 4. Protrusion 5. Hole 6. Bolt
2. Align the hole in the lower handle with the hole in the upper handle, then insert the bolts from inside, then attach washer B from outside, and then tighten the thumb nuts.  
▶ **Fig.2:** 1. Upper handle 2. Hole 3. Washer B 4. Thumb nut 5. Lower handle 6. Bolt

**⚠CAUTION:** Hold the upper handle firmly so that it does not drop off your hand. Otherwise, the handle may fall and cause an injury.

3. Attach holder A and holder B to the handle. Position the cords as shown in the figure.  
▶ **Fig.3:** 1. Cord 2. Holder A 3. Holder B

**NOTE:** When attaching holder A, be sure to fix the cord with the holder as shown in the figure.

## Removing the mulching attachment

For DLM460

1. Open the rear cover.  
▶ **Fig.4:** 1. Rear cover
2. Remove the mulching attachment while holding down the lever.  
▶ **Fig.5:** 1. Lever 2. Mulching attachment

For DLM461

1. Open the rear cover.  
▶ **Fig.6:** 1. Rear cover
2. Remove the mulching attachment while pulling the lever.  
▶ **Fig.7:** 1. Mulching attachment 2. Lever

## Installing the grass basket

1. Open the rear cover.  
▶ **Fig.8:** 1. Rear cover
2. Hook the grass basket on the rod of the mower body as shown in the figure.  
▶ **Fig.9:** 1. Rod 2. Guard 3. Grass basket

**NOTICE:** Make sure that the guard on the grass basket is facing downward. Otherwise, the grass basket may not catch all of cut-off grass.

## Attaching the mulching attachment

For DLM460

1. Open the rear cover, and then remove the grass basket.  
▶ **Fig.10:** 1. Rear cover 2. Grass basket
2. Attach the mulching attachment while holding down the lever, and then release the lever to lock the mulching attachment.  
▶ **Fig.11:** 1. Lever 2. Mulching attachment

For DLM461

1. Open the rear cover, and then remove the grass basket.  
▶ **Fig.12:** 1. Rear cover 2. Grass basket
2. Attach the mulching attachment while pulling the lever, and then release the lever to lock the mulching attachment.  
▶ **Fig.13:** 1. Mulching attachment 2. Lever

# FUNCTIONAL DESCRIPTION

## Installing or removing battery cartridge

**⚠ CAUTION:** Always switch off the tool before installing or removing of the battery cartridge.

**⚠ CAUTION:** Hold the tool and the battery cartridge firmly when installing or removing battery cartridge. Failure to hold the tool and the battery cartridge firmly may cause them to slip off your hands and result in damage to the tool and battery cartridge and a personal injury.

**⚠ CAUTION:** Make sure that you lock the battery cover before use. Otherwise, mud, dirt, or water may cause damage to the product or the battery cartridge.

**⚠ CAUTION:** Always install the battery cartridge fully until the red indicator cannot be seen. If not, it may accidentally fall out of the tool, causing injury to you or someone around you.

**⚠ CAUTION:** Do not install the battery cartridge forcibly. If the cartridge does not slide in easily, it is not being inserted correctly.

**NOTE:** The tool does not work with only one battery cartridge.

### To install the battery cartridge;

1. Pull up the locking lever, and then open the battery cover.

▶ Fig.14: 1. Battery cover 2. Locking lever

2. Align the tongue on the battery cartridge with the slot on the mower then slide the cartridge until it locks in place with a little click.

▶ Fig.15: 1. Battery cartridge

3. Insert the lock key in the place shown in the figure as far as it will go.

▶ Fig.16: 1. Lock key

4. Close the battery cover and push it until it is latched with the locking lever.

### To remove the battery cartridge from the mower;

1. Pull up the battery cover locking lever and open the battery cover.

2. Pull out the battery cartridge from the mower while sliding the button on the front of the cartridge.

3. Pull out the lock key.

4. Close the battery cover.

## Tool / battery protection system

The tool is equipped with a tool/battery protection system. This system automatically cuts off power to the motor to extend tool and battery life. The tool will automatically stop during operation if the tool or battery is placed under one of the following conditions:

### Overload protection

When the battery is operated in a manner that causes it to draw an abnormally high current, the tool automatically stops and the main power lamp blinks in green. In this situation, turn the tool off and stop the application that caused the tool to become overloaded. Then turn the tool on to restart.

### Overheat protection

When the tool or battery is overheated, the tool stops automatically and the main power lamp lights up in red. In this case, let the tool and battery cool before turning the tool on again.

### Overdischarge protection

When the battery capacity is not enough, the tool stops automatically and the main power lamp blinks in red. In this case, remove the battery from the tool and charge the battery cartridges or change the battery cartridges to fully charged ones.

## Indicating the remaining battery capacity

### Only for battery cartridges with the indicator

▶ Fig.17: 1. Indicator lamps 2. Check button

Press the check button on the battery cartridge to indicate the remaining battery capacity. The indicator lamps light up for a few seconds.

Indicator lamps			Remaining capacity
Lighted	Off	Blinking	
■ ■ ■ ■			75% to 100%
■ ■ ■ □			50% to 75%
■ ■ □ □			25% to 50%
■ □ □ □			0% to 25%
▣ □ □ □			Charge the battery.
■ ■ □ □			The battery may have malfunctioned.
□ □ ■ ■			

**NOTE:** Depending on the conditions of use and the ambient temperature, the indication may differ slightly from the actual capacity.

## Control panel

The control panel has the main power switch, the mode switching button, and the indicator of remaining battery capacity.

- **Fig.18:** 1. Battery indicator 2. Mode switching lamp 3. Main power lamp 4. Check button 5. Mode switching button 6. Main power switch

## Main power switch

**⚠WARNING:** Always turn off the main power switch when not in use.

To turn on the machine, press the main power switch. The main power lamp lights up in green. To turn off the machine, press the main power switch again.

**NOTE:** If the main power lamp lights up in red or blinks in red or green, refer to the instructions for tool/battery protection system.






**NOTE:** This machine employs the auto power-off function. To avoid unintentional start up, the main power switch will automatically shut down when the switch lever is not pulled for a certain period after the main power switch is turned on.

## Mode switching button

You can switch the operating mode by pressing the mode switching button. When the machine is turned on, the machine starts up in the normal mode. When you press the mode switching button, the machine shifts to the energy-saving mode and the mode switching lamp lights up in green. In the energy-saving mode, you can decrease the noise at mowing. When you press the mode switching button again, the machine returns to the normal mode.

## Indicating the remaining battery capacity

Press the check button to indicate the remaining battery capacities. The battery indicators correspond to each battery.

Battery indicator status		Remaining battery capacity
 On	 Off	
		50% - 100%
		20% - 50%
		0% - 20%

## Switch action

**⚠WARNING:** Before installing the battery cartridge, always check to see that the switch lever actuates properly and returns to the original position when released. Operating a tool with a switch that does not actuate properly can lead to loss of control and serious personal injury.

**NOTE:** The mower does not start without pressing the switch button even the switch lever is pulled.

**NOTE:** Mower may not start due to the overload when you try to mow long or dense grass at a time. Increase the mowing height in this case.

This mower is equipped with the interlock switch and handle switch. If you notice anything unusual with either of these switches, stop operation immediately and have them checked by your nearest Makita Authorized Service Center.

1. Install the battery cartridges. Insert the lock key into the interlock switch and then close the battery cover.
2. Press the main power switch.
3. Press the switch button and hold it.
4. Grab the upper handle and pull the switch lever.

- **Fig.19:** 1. Switch button 2. Upper handle 3. Switch lever

**NOTE:** If the lock key is not inserted, the power lamp blinks in green when you pull the switch lever.

5. Release the switch button as soon as the motor starts running. The mower will continue to run until you release the switch lever.
6. Release the switch lever to stop the motor.

## Adjusting the mowing height

**⚠WARNING:** Never put your hand or leg under the mower body when adjusting the mowing height.

**⚠WARNING:** Always make sure that the lever fits in the groove properly before operation.

### For DLM460

The mowing height can be adjusted in the range of between 20 mm and 75 mm.

### For DLM461

The mowing height can be adjusted in the range of between 16 mm and 71 mm.

Remove the lock key, and then pull the mowing height adjusting lever outward of the mower body and move it to your desired mowing height.

- **Fig.20:** 1. Mowing height adjusting lever

Hold the front grip with one hand, and then move the mowing height adjusting lever with the other hand.

- **Fig.21:** 1. Mowing height adjusting lever 2. Front grip

**NOTE:** The mowing height figures should be used just as a guideline. Depending on the conditions of the lawn or the ground, the actual lawn height may become slightly different from the set height.

**NOTE:** Try a test mowing of grass in a less conspicuous place to get your desired height.



## Adjusting the handle height

**CAUTION:** Before removing the bolts, hold the upper handle firmly. Otherwise, the handle may fall and cause an injury.

The handle height can be adjusted in three levels.

1. Loosen the thumb nuts of the lower handle, and then remove the bolts, washer, and thumb nuts.

► Fig.22: 1. Thumb nut 2. Washer 3. Bolt

2. Adjust the handle height.

3. Insert the bolts from inside, then attach washers from outside, and then tighten the thumb nuts.

## Using mulching attachment

The mulching attachment allows you to return the cut grass to the ground without gathering the cut grass in the grass basket. When you operate the machine with the mulching attachment, be sure to remove the grass basket.

## Electronic function

The machine is equipped with the electronic functions for easy operation.

- Constant speed control  
Electronic speed control for obtaining constant speed. Possible to get fine finish, because the rotating speed is kept constant even under load condition.
- Soft start  
The soft-start function minimizes start-up shock, and makes the machine start smoothly.

# OPERATION

## Mowing

**WARNING:** Before mowing, clear away sticks and stones from mowing area. Furthermore, clear away any weeds from mowing area in advance.

**WARNING:** Always wear the safety goggles or safety glasses with side shields when operating the mower.

**CAUTION:** If the cut grass or foreign object blocks up inside of the mower body, be sure to remove the lock key and battery cartridge and wear gloves before removing the grass or foreign object.

**NOTICE:** Use this machine for mowing lawn only. Do not mow weeds with this machine.

► Fig.23

Firmly hold the handle with both hands when mowing.

The mowing speed guideline is approximately 1 meter per 4 seconds.

► Fig.24

The center lines of the front wheels are guidelines to mowing width. Using the center lines as guidelines, mow in strips. Overlap by one half to one third the previous strip to mow the lawn evenly.

► Fig.25: 1. Mowing width 2. Overlapping area 3. Center line

Change the mowing direction each time to prevent the grass grain pattern from forming in just one direction.

► Fig.26

Periodically check the grass basket for mowed grass. Empty the grass before it becomes full. Before every periodical check, be sure to stop the mower then remove the lock key and the battery cartridge.

**NOTE:** Using the mower with the grass basket full prevents smooth blade rotation and places an extra load on the motor, which may cause breakdown.

## Mowing a long-grass lawn

Do not try to cut long grass all at once. Instead, mow the lawn in steps. Leave a day or two between mowings until the lawn becomes evenly short.

► Fig.27

**NOTE:** Mowing long grass to a short length all at once may cause the grass to die. The cut grass may also block up inside of the mower body.

## Emptying the grass basket

**WARNING:** To reduce a risk of accident, regularly check the grass basket for any damage or weakened strength. Replace the grass basket if necessary.

1. Release the switch lever.
  2. Remove the lock key.
  3. Open the rear cover and take out the grass basket by holding the handle.
- Fig.28: 1. Rear cover 2. Handle 3. Grass basket
4. Empty the grass basket.

# MAINTENANCE

**WARNING:** Always be sure that the lock key and battery cartridge are removed from the mower before storing or carrying the mower or attempting to perform inspection or maintenance.

**WARNING:** Always remove the lock key when the mower is not in use. Store the lock key in a safe place out of reach of children.

**WARNING:** Wear gloves when performing inspection or maintenance.

**WARNING:** Always wear the safety goggles or safety glasses with side shields when performing inspection or maintenance.

**NOTICE:** Never use gasoline, benzine, thinner, alcohol or the like. Discoloration, deformation or cracks may result.

To maintain product SAFETY and RELIABILITY, repairs, any other maintenance or adjustment should be performed by Makita Authorized or Factory Service Centers, always using Makita replacement parts.

## Maintenance

1. Remove the lock key and battery cartridges, and then close the battery cover.
2. Put the mower on its side and clean grass clippings accumulated on the underside of mower deck.
3. Pour water toward the bottom of the machine to which the blade is attached.

**NOTICE:** Do not wash the machine with high pressure water.

4. Check all nuts, bolts, knobs, screws, fasteners etc. for tightness.
5. Inspect moving parts for damage, breakage, and wear. Damaged or missing parts should be repaired or replaced.
6. Store the mower in a safe place out of the reach of children.

## Carrying the mower

When carrying the mower, hold the front grip and lower handle with two people as shown in the figure.

- Fig.29: 1. Lower handle 2. Front grip

## Storing

Store mower indoors in a cool, dry and locked place. Don't store the mower and charger in locations where the temperature may reach or exceed 40 °C (104 °F).

1. Open the rear cover and take out the grass basket by holding the handle.  
► Fig.30: 1. Rear cover 2. Handle 3. Grass basket
2. Loosen the thumb nuts and fold the upper handle.  
► Fig.31: 1. Upper handle 2. Thumb nut

## Removing or installing the mower blade

**⚠ WARNING:** Always remove the lock key and battery cartridge when removing or installing the blade. Failure to remove the lock key and battery cartridge may cause a serious injury.

**⚠ WARNING:** The blade coasts for a few seconds after releasing the switch. Do not start any operation until the blade comes to a complete stop.

**⚠ WARNING:** Always wear gloves when handling the blade.

## Removing the mower blade

### For DLM460

1. Put the mower on its side so that the mowing height adjusting lever comes to the upper side.
2. To lock the blade, insert a lumber or similar into the mower.
3. Turn the bolt counterclockwise with the wrench.  
► Fig.32: 1. Mower blade 2. Wrench 3. Lumber
4. Remove the bolt, washer, mower blade in order.  
► Fig.33: 1. Mower blade 2. Washer 3. Bolt

### For DLM461

1. Put the mower on its side so that the mowing height adjusting lever comes to the upper side.
2. Turn the bolt counterclockwise with the wrench while holding the base plate.  
► Fig.34: 1. Wrench 2. Base plate
3. Remove the bolt, washer, base plate in order.  
► Fig.35: 1. Base plate 2. Washer 3. Bolt
4. To remove the individual blade, turn the bolt counterclockwise with the wrench while holding the base plate.  
► Fig.36: 1. Base plate 2. Mower blade 3. Wrench

## Installing the mower blade

To install the mower blade, take the removal procedure in reverse.

**⚠ WARNING:** Install the blade carefully. It has a top/bottom facing. Place the blade so that the rotational direction arrow faces outward.

**⚠ WARNING:** Tighten the bolt clockwise firmly to secure the blade.

**⚠ WARNING:** Make sure that the blade and all the fixing parts are installed correctly and tightened securely.

**⚠ WARNING:** When you replace the blades, always follow the instructions provided in this manual.

### For DLM461

**NOTICE:** When installing the mower blade, slide the mower blade as shown in the figure so that the protrusions touch the mower blade.

- Fig.37: 1. Protrusion 2. Mower blade



# TROUBLESHOOTING

Before asking for repairs, conduct your own inspection first. If you find a problem that is not explained in the manual, do not attempt to dismantle the tool. Instead, ask Makita Authorized Service Centers, always using Makita replacement parts for repairs.

State of abnormality	Probable cause (malfunction)	Remedy
Mower does not start.	Two battery cartridges are not installed.	Install the charged battery cartridges.
	Battery problem (under voltage)	Recharge the battery cartridge. If recharging is not effective, replace battery cartridge.
	The lock key is not inserted.	Insert the lock key.
Motor stops running after a little use.	Battery's charge level is low.	Recharge the battery cartridge. If recharging is not effective, replace battery cartridge.
	Cutting height is too low.	Raise the cutting height.
Motor does not reach maximum RPM.	Battery cartridge is installed improperly.	Install the battery cartridge as described in this manual.
	Battery power is dropping.	Recharge the battery cartridge. If recharging is not effective, replace battery cartridge.
	The drive system does not work correctly.	Ask your local authorized service center for repair.
Cutting tool does not rotate: ⇒ stop the mower immediately!	Foreign object such as a branch is jammed near the blade.	Remove the foreign object.
	The drive system does not work correctly.	Ask your local authorized service center for repair.
Abnormal vibration: ⇒ stop the mower immediately!	Blade is imbalanced, excessively or unevenly worn.	Replace the blade.

## OPTIONAL ACCESSORIES

**⚠ CAUTION:** These accessories or attachments are recommended for use with your Makita tool specified in this manual. The use of any other accessories or attachments might present a risk of injury to persons. Only use accessory or attachment for its stated purpose.

If you need any assistance for more details regarding these accessories, ask your local Makita Service Center.

- Mower blade
- Makita genuine battery and charger

**NOTE:** Some items in the list may be included in the tool package as standard accessories. They may differ from country to country.

## SPECIFIKATIONER

Modell:		DLM460	DLM461
Klippbredd (knivdiameter)		460 mm	
Hastighet utan belastning		2 500 min <sup>-1</sup>	
Maxhastighet		3 300 min <sup>-1</sup>	
Artikelnummer för byte av gräsklipparkniv		199367-2	199368-0
Dimensioner (L x B x H)	vid användning	L: 1 319 mm till 1 518 mm B: 532 mm H: 879 mm till 1 138 mm	
	vid förvaring (utan gräsuppsamlare)	L: 1 004 mm till 1 125 mm B: 532 mm H: 533 mm till 713 mm	
Märkspänning		36 V likström	
Nettovikt		25,3 - 27,6 kg	26,6 - 28,4 kg
Skyddsgrad		IPX4	

- På grund av vårt pågående program för forskning och utveckling kan dessa specifikationer ändras utan föregående meddelande.
- Specifikationer och batterikassett kan variera mellan olika länder.
- Vikten kan variera beroende på tillbehören, inklusive batterikassett. Den lättaste och den tyngsta kombinationen enligt EPTA-procedur 01/2014 visas i tabellen.

### Tillgänglig batterikassett







BL1815N / BL1820 / BL1820B / BL1830 / BL1830B / BL1840 / BL1840B / BL1850 / BL1850B / BL1860B

- Vissa av batterikassetterna på listan ovan kanske inte finns tillgängliga i din region.

**⚠ VARNING: Använd endast batterikassetter från listan ovan.** Användning av andra batterikassetter kan orsaka personskada och/eller brand.

## Symboler

Följande visar symbolerna som används för utrustningen. Se till att du förstår innebörden innan du använder bormaskinen.

	Var extra försiktig och uppmärksam.
	Läs igenom bruksanvisningen.
	Fara! Se upp för flygande föremål.
	Avståndet mellan maskinen och åskådare måste vara minst 15 m.
	Placera aldrig dina händer eller fötter nära kniven under gräsklipparen. Knivarna fortsätter att rotera efter det att motorn stängts av.
	Ta ut säkerhetsnyckeln före kontroll, justering, rengöring, service, förvaring eller om gräsklipparen lämnas obevakad.



Gäller endast inom EU  
Elektrisk utrustning eller batteripaket får inte kastas i hushållsavfallet!  
Enligt EU-direktiven som avser förbrukad elektrisk och elektronisk utrustning, batterier, ackumulatörer, förbrukade batterier och ackumulatörer, samt direktivens tillämpning enligt nationell lagstiftning, ska utjänt elektrisk utrustning, batterier och batteripaket sorteras separat och lämnas till miljövänlig återvinning.

## Avsedd användning

Maskinen är avsedd för gräsklippning.

## Buller

Den normala bullernivån för A-belastning är bestämd enligt EN60335-2-77:

### Model DLM460

Ljudtrycksnivå (L<sub>pA</sub>) : 79 dB (A)

Ljudeffektnivå (L<sub>wA</sub>) : 91 dB (A)

Måttolerans (K): 3,4 dB (A)

Bullernivån vid arbete kan överstiga 80 dB (A).

# SÄKERHETSVARNINGAR

## Säkerhetsanvisningar för gräsklippare

**OBS:** Det deklarerade bullervärdet har uppmätts i enlighet med standardtestmetoden och kan användas för jämförandet av en maskin med en annan.

**OBS:** Det deklarerade bulleremissionsvärdet kan också användas i en preliminär bedömning av exponering för vibration.

**⚠ VARNING:** Använd hörselskydd.

**⚠ VARNING:** Bulleremissionen under faktisk användning av maskinen kan skilja sig från det deklarerade värdet, beroende på hur maskinen används och särskilt vilken typ av arbetsstycke som behandlas.

**⚠ VARNING:** Var noga med att identifiera säkerhetsåtgärder för att skydda användaren, vilka är grundade på en uppskattning av graden av exponering för vibrationer under de faktiska användningsförhållandena, (ta, förutom avtryckartiden, med alla delar av användarcykeln i beräkningen, som till exempel tiden då maskinen är avstängd och när den går på tomgång).

## Vibration

Det totala vibrationsvärdet (treaxlad vektorsumma) bestämt enligt EN60335-2-77:

**Model DLM460**

Vibrationsemission ( $a_h$ ): 2,5 m/s<sup>2</sup> eller lägre

Måttolerans (K): 1,5 m/s<sup>2</sup>

**OBS:** Det deklarerade totala vibrationsvärdet har uppmätts i enlighet med standardtestmetoden och kan användas för jämförandet av en maskin med en annan.

**OBS:** Det deklarerade totala vibrationsvärdet kan också användas i en preliminär bedömning av exponering för vibration.

**⚠ VARNING:** Vibrationsemissionen under faktisk användning av maskinen kan skilja sig från det deklarerade värdet, beroende på hur maskinen används och särskilt vilken typ av arbetsstycke som behandlas.

**⚠ VARNING:** Var noga med att identifiera säkerhetsåtgärder för att skydda användaren, vilka är grundade på en uppskattning av graden av exponering för vibrationer under de faktiska användningsförhållandena, (ta, förutom avtryckartiden, med alla delar av användarcykeln i beräkningen, som till exempel tiden då maskinen är avstängd och när den går på tomgång).

## EG-försäkringen om överensstämmelse

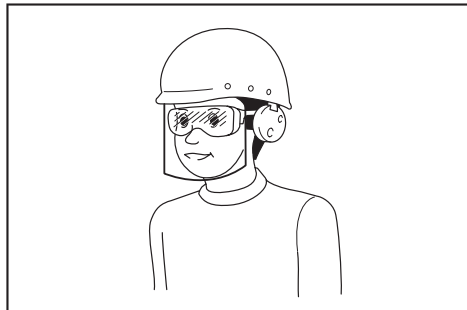
*Gäller endast inom EU*

EG-försäkringen om överensstämmelse inkluderar som bilaga A till denna bruksanvisning.

**⚠ VARNING:** Läs igenom alla säkerhetsvarningar och anvisningar. Underlåtenhet att följa varningar och instruktioner kan leda till elstöt, brand och/eller allvarliga personskador.

## Spara alla varningar och instruktioner för framtida referens.

1. Sätt inte i säkerhetsnyckeln i gräsklipparen förrän den är klar att användas.
2. Barn ska övervakas så att de inte leker med gräsklipparen.
3. Låt aldrig gräsklipparen användas av barn eller av personer som inte känner till dessa anvisningar. Lokala bestämmelser kan ange en åldersgräns för användaren.
4. Använd aldrig gräsklipparen när personer (särskilt barn) eller djur finns i närheten.
5. Glöm inte att användaren är ansvarig för olyckor eller eventuell fara gentemot andra personer och deras egendom.
6. Bär alltid kraftiga skor och långbyxor när du använder gräsklipparen. Använd inte gräsklipparen barfota eller med öppna skor. Undvik att bära kläder eller smycken som sitter löst eller som har hängande snoddar eller band. De kan fångas upp av rörliga delar.
7. Bär alltid skyddsglasögon för att skydda dina ögon från skada när du använder e-vertkyg. Skyddsglasögonen måste uppfylla ANSI Z87.1 i USA, EN 166 i Europa, eller AS/NZS 1336 i Australien/Nya Zeeland. I Australien/Nya Zeeland måste man enligt lag även bära ansiktsskydd för att skydda ansiktet.



Det är arbetsgivarens ansvar att se till att användare och övriga personer i det omedelbara arbetsområdet använder lämplig skyddsutrustning.

8. Använd endast gräsklipparen i dagsljus eller i god belysning.
9. Undvik att använda gräsklipparen i vått gräs.

10. **Användning och underhåll av batteri**
  - Ladda endast med den batteriladdare som angetts av tillverkaren. En laddare som passar en viss typ av batterikassett kan skapa risk för brand när den används tillsammans med en annan batterikassett.
  - Använd endast maskiner tillsammans med tillhörande batterikassetter. Användning av andra batterikassetter kan skapa risk för personskada och brand.
  - När batterikassetten inte används bör den hållas borta från andra metallföremål som till exempel gem, mynt, nycklar, spik, skruv eller andra små metallföremål som kan skapa anslutning från en terminal till en annan. Kortslutning av batteripoler kan orsaka brännskador eller brand.
  - Vid felaktig användning kan vätska komma ur batteriet. Undvik kontakt. Spola med vatten om kontakt ändå uppstår. Om vätskan kommer i kontakt med ögonen bör läkare uppsökas. Vätska från batteriet kan orsaka irritation på huden eller ge brännskador.
  - Släng inte batteriet/batterierna i öppen eld. Cellen kan explodera. Kontrollera de lokala reglerna för att se eventuell särskild avfallshantering.
  - Öppna inte eller förstör batteriet/batterierna. Elektrolyt som kommer ut är frätande och kan ge ögon- eller hudskador. Det kan vara giftigt vid förtäring.
  - Ladda inte batteriet i regn eller i fuktiga eller våta utrymmen.
11. Håll alltid stadigt i handtaget.
12. Se alltid till att ha balans på slutningar.
13. Gå, spring aldrig.
14. Greppa inte de oskyddade knivbladen eller kniveggarna när du tar upp eller håller i gräsklipparen.
15. Fysiskt tillstånd – Använd inte gräsklipparen under påverkan av droger, alkohol eller mediciner.
16. Håll händer och fötter borta från rörliga knivar. Försiktighet – Knivarna stannar inte omedelbart när gräsklipparen stängs av.
17. Använd endast tillverkarens originalknivar som specificerats i denna bruksanvisning.
18. Kontrollera före användning att knivarna eller knivbultarna inte är spruckna eller skadade. Byt omedelbart ut skadade knivar eller knivbultar.
19. Kontrollera att det inte finns några personer i området före gräsklippningen. Stäng av gräsklipparen om någon närmar sig.
20. Ta bort främmande föremål såsom stenar, kablar, flaskor, ben och långa pinnar från arbetsområdet innan gräsklippningen för att undvika personskador eller skada på gräsklipparen.
21. Stanna maskinen omedelbart om du lägger märke till något onormalt. Stäng av gräsklipparen och ta ut nyckeln. Kontrollera sedan gräsklipparen.
22. Försök aldrig göra justeringar av klipphöjden medan gräsklipparen är igång, om den har funktionen klipphöjdsinställning.
23. Släpp säkerhetsgreppet och vänta tills kniven har stannat innan du korsar en uppfart, gångväg, väg eller annat grustäckt område. Ta också ut säkerhetsnyckeln om du lämnar gräsklipparen, sträcker dig för att plocka upp eller ta bort något som ligger i vägen, eller om du på något annat sätt distraheras från arbetet.
24. Föremål som träffas av gräsklipparens kniv kan orsaka allvarliga personskador. Gräsmattan ska alltid undersökas väl och röjas från föremål före varje klippning.
25. Följ dessa steg om gräsklipparen slår emot ett främmande föremål:
  - Stanna gräsklipparen, släpp säkerhetsgreppet och vänta tills kniven stannat helt.
  - Ta bort säkerhetsnyckeln och batterikassetten.
  - Kontrollera gräsklipparen grundligt så att inte några skador har uppstått.
  - Byt ut kniven om den är skadad på något sätt. Reparera eventuella skador innan du startar om och återupptar användningen av gräsklipparen.
26. Kontrollera gräsupsamlaren regelbundet efter slitage eller försämring. Se alltid till att gräsupsamlaren är tom när maskinen förvaras. Byt ut gräsupsamlaren om den är sliten mot en ny från fabriken för säker användning.
27. Var mycket försiktig när du vänder gräsklipparen eller drar den mot dig.
28. Stoppa knivarna om gräsklipparen måste lutas för att transporteras över gräsfria ytor och när maskinen transporteras till och från området som ska klippas.
29. Använd aldrig gräsklipparen med skadade skydd eller utan säkerhetsutrustning, t. ex. stenskydd och/eller gräsupsamlare, på plats.
30. Starta gräsklipparen omsorgsfullt enligt anvisningarna och med fötterna på säkert avstånd från knivarna.
31. Luta inte gräsklipparen när du startar motorn, såvida den inte måste lutas för att startas. I så fall ska den inte lutas mer än vad som är absolut nödvändigt och lyft endast den delen som är längst bort från användaren.
32. Starta inte gräsklipparen när du står framför utkastöppningen.
33. Placera inte händer och fötter i närheten av eller under roterande delar. Stå alltid långt ifrån utkastöppningen.
34. Transportera inte gräsklipparen medan den är igång.
35. Stanna gräsklipparen och ta bort skydsanordningen. Se till att alla rörliga delar har stannat helt - när du lämnar gräsklipparen, - innan du tar bort något som fastnat eller rensar utkastningsrännan, - före kontroll, rengöring eller arbete på gräsklipparen, - när du slagit emot ett främmande föremål. Inspektera gräsklipparen efter skador och utför reparationer innan maskinen startas om och används på nytt.
36. Om gräsklipparen börjar vibrera på ett onormalt sätt (kontrollera omedelbart)
  - kontrollera om skada har uppstått,
  - byt ut eller reparera skadade delar,
  - kontrollera och dra åt lösa delar.

37. Var försiktig vid justering av gräsklipparen för att undvika att fastna med fingrarna mellan knivar i rörelse och fasta maskindelar.
38. Klipp långs med sluttningar, aldrig uppåt och nedåt. Var särskilt försiktig vid byte av riktning i sluttande terräng. Klipp inte mycket branta sluttningar.
39. Kontrollera knivens monteringsbult regelbundet så att den är ordentligt åtdragen.
40. Se till att alla muttrar, bultar och skruvar är åtdragna för att alltid bibehålla utrustningen i säkert arbetsskick.
41. Låt alltid gräsklipparen svalna innan du ställer in den för förvaring.
42. Vid underhåll av knivarna bör du vara uppmärksam på att de fortfarande kan snurra även om strömkällan är avstängd.
43. Byt ut slitna eller skadade delar för säker användning. Använd endast originaldelar och tillbehör.
44. Använd inte maskinen när det finns risk för åska.
45. Var uppmärksam på var du har fötterna när du använder maskinen på lerig mark, i våta sluttningar eller hala ställen.
46. Undvik att arbeta i dåliga miljöer där utökad trötthet kan förväntas.
47. Använd inte maskinen under dåliga väderförhållanden där sikten är begränsad. Att inte följa detta kan leda till fall eller felaktig funktion p.g.a. dålig sikt.
48. Byt inte ut batteriet i regn.
49. Låt inte maskinen åka ner i någon pöl.
50. Lämna inte maskinen obebakad utomhus i regn.
51. Sätt inte i eller ta ut säkerhetsnyckeln i regn.
52. När våta löv eller smuts fastnar på sugöppningen (ventilationsfönstret) på grund av regnet, ska det tas bort.
53. Tvätta inte av maskinen med högtrycksvattenstråle.
54. När du tvättar maskinen, se då till att ta bort batteriet och säkerhetsnyckeln och stäng batterikåpan, och håll vatten mot botten av maskinen som kniven sitter fast på.
55. När maskinen tas i förvar, undvik då direkt solljus och regn, och förvara den på en plats där det inte blir varmt eller fuktigt.
56. Utför inspektion eller underhåll någonstans där regn kan undvikas.
57. Ta efter användning bort smuts och torka maskinen fullständigt innan lagring. Beroende på årstid eller område finns det risk för funktionsfel p.g.a. frystemperatur.
58. Låt inte batteripolen bli blöt av vätska som t.ex. vatten, och ha inte batteriet i vätska. Batteriet får inte lämnas i regn, och inte heller laddas, användas eller lagras på ett fuktigt eller vått ställe. Om polen blir våt eller vätska kommer in i batteriet, kan det kortslutas och det finns risk för överhettning, brand eller explosion.
59. När batteriet tagits bort från maskinen eller laddaren ska du se till att fästa batterikåpan vid batteriet och förvara det tørt.
60. Byt inte ut batteriet med våta händer.
61. Använd inte maskinen i snö.
62. Om det avklippta gräset är vått är det troligt att det fastnar inuti maskinen. Kontrollera regelbundet maskinens skick och ta bort gräs som fastnat där det behövs.

## SPARA DESSA ANVISNINGAR.

**⚠ VARNING: GLÖM INTE** att också fortsättningsvis strikt följa säkerhetsanvisningarna för maskinen även efter att du blivit van att använda den.

Vid **FELAKTIG HANTERING** av maskinen eller om inte säkerhetsanvisningarna i denna bruksanvisning följs kan följden bli allvarliga personskador.

## Viktiga säkerhetsanvisningar för batterikassetten

1. Innan batterikassetten används ska alla instruktioner och varningsmärken på (1) batteriladdaren, (2) batteriet och (3) produkten läsas.
2. Montera inte isär batterikassetten.
3. Om drifttiden blivit avsevärt kortare ska användningen avbrytas omedelbart. Det kan uppstå överhettning, brännskador och t o m en explosion.
4. Om du får elektrolyt i ögonen ska de sköljas med rent vatten och läkare uppsöks omedelbart. Det finns risk för att synen förloras.
5. Kortslut inte batterikassetten.
  - (1) Rör inte vid polerna med något strömförande material.
  - (2) Undvik att förvara batterikassetten tillsammans med andra metallobjekt som t.ex. spikar, mynt o.s.v.
  - (3) Skydda batteriet mot vatten och regn. En batterikortslutning kan orsaka ett stort strömflöde, överhettning, brand och maskinhaveri.
6. Förvara inte maskinen och batterikassetten på platser där temperaturen kan nå eller överstiga 50 °C.
7. Bränn inte upp batterikassetten även om den är svårt skadad eller helt utsliten. Batterikassetten kan explodera i öppen eld.
8. Var försiktig så att du inte råkar tappa batteriet och utsätt det inte för stötar.
9. Använd inte ett skadat batteri.
10. De medföljande litiumjonbatterierna är föremål för kraven i gällande lagstiftning för farligt gods. För kommersiella transporter (av t.ex. tredje parter som speditorsfirmor) måste de särskilda transportkrav som anges på emballaget och etiketter iakttas. För att förbereda den produkt som ska avsändas krävs att du konsulterar en expert på riskmaterial. Var också uppmärksam på att det i ditt land kan finnas ytterligare föreskrifter att följa. Tejpa över eller maskera blottade kontakter och packa batteriet på sådant sätt att det inte kan röra sig fritt i förpackningen.

- Följ lokala föreskrifter beträffande avfallshandtering av batteriet.
- Använd endast batterierna med de produkter som specificerats av Makita. Att använda batterierna med ej godkända produkter kan leda till brand, överdriven värme, explosion eller utläckande elektrolyt.

## SPARA DESSA ANVISNINGAR.

**⚠FÖRSIKTIGT:** Använda endast äkta Makita-batterier. Användning av oäkta Makita-batterier eller batterier som har manipulerats kan leda till person- och utrustningsskador eller till att batteriet fattar eld. Det upphäver också Makitas garanti för verktyget och laddaren.

## Tips för att uppnå batteriets maximala livslängd

- Ladda batterikassetten innan den är helt urladdad. Stanna alltid maskinen och ladda batterikassetten när du märker att maskinen blir svagare.
- Ladda aldrig en fulladdad batterikasset. Överladdning förkortar batteriets livslängd.
- Ladda batterikassetten vid en rumstemperatur på 10 °C - 40 °C. Låt en varm batterikasset svalna innan den laddas.
- Ladda batterikassetten om du inte har använt den på länge (mer än sex månader).

## MONTERING

**⚠VARNING:** Se alltid till att ta ut säkerhetsnyckeln och batterikassetten innan du utför något arbete på gräsklipparen. Underlåtelse att ta ut säkerhetsnyckeln och batterikassetten kan leda till allvarlig personskada på grund av oavsiktlig start.

**⚠VARNING:** Starta aldrig gräsklipparen om den inte är komplett monterad. Användning av en delvis monterad maskin kan leda till allvarlig personskada på grund av oavsiktlig start.

## Montera handtaget

**OBSERVERA:** Vid montering av handtagen ska kablarna placeras så att de inte fångas in av någonting mellan handtagen. Om kabeln är skadad kanske inte gräsklipparens startknapp fungerar.

- Sätt fast det nedre handtaget så att hålen i handtaget passar i de utskjutande delarna på gräsklipparen. Sätt i bultarna från insidan, sätt sedan fast bricka A utifrån och spänn åt de lätttrade muttrarna.
  - Fig.1: 1. Nedre handtaget 2. Bricka A 3. Lättrade muttrar 4. Utskjutande del 5. Hål 6. Bult
- Passa in hålet i det nedre handtaget med hålet i det övre handtaget, sätt sedan i bultarna inifrån, sätt fast bricka B utifrån och spänn åt de lätttrade muttrarna.
  - Fig.2: 1. Övre handtaget 2. Hål 3. Bricka B 4. Lättrade mutter 5. Nedre handtaget 6. Bult

**⚠FÖRSIKTIGT:** Håll det övre handtaget i ett fast grepp så att det inte glider ur handen. I annat fall kan handtaget falla och orsaka skador.

- Fäst hållare A och hållare B vid handtaget. Placera kablarna enligt bilden.

► Fig.3: 1. Kabel 2. Hållare A 3. Hållare B

**OBS:** När du sätter fast hållare A, se då till att fästa kabeln med hållaren enligt bilden.

## Ta bort mulchtilbehöret

### För DLM460

- Öppna den bakre luckan.

► Fig.4: 1. Bakre hölje

- Ta bort mulchtilbehöret samtidigt som du håller ner spaken.

► Fig.5: 1. Spak 2. Mulchtilbehör

### För DLM461

- Öppna den bakre luckan.

► Fig.6: 1. Bakre hölje

- Ta bort mulchtilbehöret samtidigt som du drar i spaken.

► Fig.7: 1. Mulchtilbehör 2. Spak

## Montera gräsuppsamlare

- Öppna den bakre luckan.

► Fig.8: 1. Bakre hölje

- Haka fast gräsuppsamlaren på stängan på gräsklipparen enligt figuren.

► Fig.9: 1. Stång 2. Sprängskydd 3. Gräsuppsamlare

**OBSERVERA:** Se till att skyddet på gräsuppsamlaren är riktat neråt. I annat fall fångar gräsuppsamlaren kanske inte upp allt avklippt gräs.

## Fastsättning av mulchtilbehöret

### För DLM460

- Öppna den bakre luckan och ta sedan bort gräsuppsamlaren.

► Fig.10: 1. Bakre hölje 2. Gräsuppsamlare

- Fäst mulchtilbehöret när du håller ner spärren och släpp sedan spärren för att låsa fast mulchtilbehöret.

► Fig.11: 1. Spak 2. Mulchtilbehör

### För DLM461

- Öppna den bakre luckan och ta sedan bort gräsuppsamlaren.

► Fig.12: 1. Bakre hölje 2. Gräsuppsamlare

- Fäst mulchtilbehöret medan du drar i spaken, och släpp sedan spaken för att låsa fast mulchtilbehöret.

► Fig.13: 1. Mulchtilbehör 2. Spak

# FUNKTIONSBESKRIVNING

## Montera eller demontera batterikassetten

**⚠ FÖRSIKTIGT:** Stäng alltid av maskinen innan du monterar eller tar bort batterikassetten.

**⚠ FÖRSIKTIGT:** Håll stadigt i maskinen och batterikassetten när du monterar eller tar bort batterikassetten. I annat fall kan det leda till att de glider ur dina händer och orsakar skada på maskinen och batterikassetten samt personskada.

**⚠ FÖRSIKTIGT:** Se till att du låser batterikåpan före användning. I annat fall kan lera, smuts eller vatten orsaka skada på produkten eller batterikassetten.

**⚠ FÖRSIKTIGT:** För alltid in batterikassetten helt tills den röda indikatorn inte längre syns. I annat fall kan batterikassetten lossna oväntat från maskinen och skada dig eller någon annan.

**⚠ FÖRSIKTIGT:** Montera inte batterikassetten med våld. Om kassetten inte lätt glider på plats är den felaktigt insatt.

**OBS:** Maskinen fungerar inte med endast en batterikasset.

### För att montera batterikassetten.

1. Dra upp säkerhetsspärren och öppna sedan batterikåpan.  
► **Fig.14:** 1. Batterikåpa 2. Säkerhetsspärr
2. Rikta in batterikassetten tunga mot öppningen på gräsklipparen. Skjut sedan in kassetten tills den låser fast med ett litet klick.  
► **Fig.15:** 1. Batterikasset
3. Sätt i säkerhetsnyckeln på platsen som visas i figuren, så långt det går.  
► **Fig.16:** 1. Säkerhetsnyckel

4. Stäng batterikåpan och tryck på den tills den sitter fast med läsreglaget.

### Ta bort batterikassetten från gräsklipparen;

1. Skjut på batterikåpan säkerhetsspärr och öppna batterikåpan.
2. Dra ur batterikassetten från gräsklipparen samtidigt som du skjuter på knappen på kassetten framsida.
3. Dra ut säkerhetsnyckeln.
4. Stäng batterikåpan.

## Skyddssystem för maskinen/ batteriet

Verktyget är utrustat med ett skyddssystem för verktyget/batteriet. Detta system bryter automatiskt strömmen till motorn för att förlänga verktygets och batteriets livslängd. Verktyget stoppar automatiskt under användningen om verktyget eller batteriet hamnar i en av följande situationer:

### Överbelastningsskydd

När batteriet används på ett sätt som gör att den drar onormalt mycket ström, stoppar maskinen automatiskt och lampan för nätspänning blinkar grönt. När detta sker stänger du av maskinen och upphör med arbetet som gjorde att den överbelastades. Starta därefter upp maskinen igen.

### Överhettningsskydd

När maskinen eller batteriet överhettas stoppas den automatiskt och lampan börjar blinka rött. I sådant fall ska du låta maskinen och batteriet svalna innan du startar den igen.

### Överurladdningsskydd

När batterikapaciteten inte är tillräcklig stoppas maskinen automatiskt och lampan börjar blinka rött. Ta i så fall bort batteriet från verktyget och ladda batterikassetterna eller byt ut batterikassetterna mot fulladdade.

## Indikerar kvarvarande batterikapacitet

### Endast för batterikassetter med indikator

- **Fig.17:** 1. Indikatorlampor 2. Kontrollknapp

Tryck på kontrollknappen på batterikassetten för att se kvarvarande batterikapacitet. Indikatorlamporna lyser i ett par sekunder.

Indikatorlampor			Kvarvarande kapacitet
■ Upplyst	□ Av	◐ Blinkar	
■ ■ ■ ■			75% till 100%
■ ■ ■ □			50% till 75%
■ ■ □ □			25% till 50%
■ □ □ □			0% till 25%
◐ □ □ □			Ladda batteriet.
■ ■ □ □ □ □ ■ ■			Batteriet kan ha skadats.

**OBS:** Beroende på användningsförhållanden och den omgivande temperaturen kan indikationen skilja sig lätt från den faktiska batterikapaciteten.



## Kontrollpanel

På kontrollpanelen finns strömbrytaren, knappen för lägesbyte samt indikatorn för återstående batterikapacitet.

- **Fig.18:** 1. Batteriindikator 2. Lampa för lägesbyte  
3. Lampa för nätspänning 4. Kontrollknapp  
5. Knapp för lägesbyte 6. Strömbrytare

## Strömbrytare

**⚠ VARNING:** Stäng alltid av strömbrytaren när verktyget inte används.

Tryck på strömbrytaren för att sätta på maskinen. Strömbrytarlampan tänds grön. För att stänga av maskinen trycker du på strömbrytaren igen.

**OBS:** Om lampan för nätspänning börjar lysa rött eller blinkar i rött eller grönt, se instruktionerna för skyddssystemet för maskinen/batteriet.






**OBS:** Denna maskin har en automatisk avstängningsfunktion. För att undvika oavsiktlig start kommer strömbrytaren automatiskt att stänga ner när avtryckaren inte aktiveras under en viss tid efter strömbrytaren aktiverats.

## Knapp för lägesbyte

Du kan ändra driftsläge genom att trycka på knappen för lägesbyte. När maskinen sätts på startas den i normalläge. När du trycker på knappen för lägesbyte slår maskinen över till energisparläge och lampan för lägesbyte tänds grön. I energisparläget kan du minska bullret vid gräsklippning. När du trycker på knappen för lägesbyte igen återgår maskinen till normalläge.

## Indikerar kvarvarande batterikapacitet

Tryck på kontrollknappen för att se kvarvarande batterikapacitet. Batteriindikeringarna motsvarar varje batteri.

Batteriindikatorstatus		Kvarvarande batterikapacitet
 På	 Av	
		50% - 100%
		20% - 50%
		0% - 20%

## Avtryckarens funktion

**⚠ VARNING:** Innan du monterar batterikassetten ska du alltid kontrollera att säkerhetsgreppet fungerar korrekt och går tillbaka till ursprungsläget när det släpps. Att använda en maskin med ett felaktigt säkerhetsgrepp kan leda till förlorad kontroll och allvarlig personskada.

**OBS:** Gräsklipparen startar inte utan att startknappen trycks in även om du drar in säkerhetsgreppet.

**OBS:** Det kan hända att gräsklipparen inte startar på grund av överbelastning när du försöker klippa långt eller tätt gräs. Öka i sådant fall klipphöjden.

Denna gräsklippare är utrustad med en spärrbrytare och handtagsbrytare. Om du lägger märke till något onormalt med någon av dessa brytare ska du genast sluta använda maskinen och låta ditt närmaste auktoriserade servicecenter för Makita kontrollera dem.

1. Sätt i batterikassetten. Sätt i säkerhetsnyckeln i spärrbrytaren och stäng batterikåpan.
2. Tryck på strömbrytaren.
3. Tryck in och håll inne startknappen.

4. Greppa tag i det övre handtaget och dra i säkerhetsgreppet.

- **Fig.19:** 1. Startknapp 2. Övre handtaget  
3. Säkerhetsgrepp

**OBS:** Om säkerhetsnyckeln inte är isatt blinkar strömbrytarlampan grönt när du drar i avtryckaren.

5. Släpp startknappen så fort motorn startar. Gräsklipparen kommer fortsätta att gå tills du släpper säkerhetsgreppet.
6. Släpp säkerhetsgreppet för att stanna motorn.

## Justering av klipphöjden

**⚠ VARNING:** Placera aldrig handen eller foten under gräsklipparen när du justerar klipphöjden.

**⚠ VARNING:** Kontrollera alltid att spaken sitter ordentligt i spåret före användning.

### För DLM460

Klipphöjden kan justeras mellan 20 mm och 75 mm.

### För DLM461

Klipphöjden kan justeras mellan 16 mm och 71 mm.

Ta bort säkerhetsnyckeln och dra sedan justeringsspaken för klipphöjd ut från gräsklipparen och flytta den till önskad klipphöjd.

- **Fig.20:** 1. Justeringsspak för klipphöjd

Håll det främre handtaget med ena handen och flytta sedan justeringsspaken för klipphöjd med den andra handen.

- **Fig.21:** 1. Justeringsspak för klipphöjd 2. Främre handtaget

**OBS:** Klipphöjdssiffrorna bör endast användas som en riktlinje. Beroende på gräsmattans eller underlagets förhållanden kan den verkliga klipphöjden skilja sig något från den inställda höjden.

**OBS:** Gör en testklippning i ett mindre synligt område för att få önskad höjd.



## Justera handtagens höjd

**⚠ FÖRSIKTIGT:** Innan du tar bort bultarna, håll stadigt i det övre handtaget. I annat fall kan handtaget falla och orsaka skador.

Handtagens höjd kan justeras i tre steg.

1. Lossa det nedre handtagets lätttrade muttrar och ta sedan bort bultarna, brickan och de lätttrade muttrarna.  
► **Fig.22:** 1. Lätttrad mutter 2. Bricka 3. Bult

2. Justera handtagens höjd.

3. Sätt i bultarna från insidan, sätt sedan fast brickorna utifrån och spänn åt de lätttrade muttrarna.

## Använda mulchtillebehör

Med mulchtillebehöret kan du lämna det klippta gräset på marken utan att samla upp gräset i gräsuppsamlaren. När du använder maskinen med mulchtillebehöret, se till att ta bort gräsuppsamlaren.

## Elektronisk funktion

Maskinen är utrustad med elektroniska funktioner för enkel användning.

- Konstant hastighetskontroll  
Elektronisk hastighetskontroll för att erhålla en konstant hastighet. Detta alternativ ger dig möjlighet att få en fin finish eftersom den roterande hastigheten hålls konstant även vid hög belastning.
- Mjukstart  
Mjukstartsfunktionen minimerar ryck vid uppstarten och gör att maskinen får en mjuk start.

## ANVÄNDNING

### Gräsklippning

**⚠ VARNING:** Före gräsklippningen ska alla pinnar och stenar i klippområdet tas bort. Ta också bort ogräs i förväg.

**⚠ VARNING:** Bär alltid korgglasögon eller skyddsglasögon med sidoskydd när du använder gräsklipparen.

**⚠ FÖRSIKTIGT:** Om avklippt gräs eller främmande föremål täpper till inuti gräsklipparen, se då till att ta bort säkerhetsnyckeln och batterikassetten och ha handskar på innan du tar bort gräset eller det främmande föremålet.

**OBSERVERA:** Använd endast denna maskin för att klippa gräsmattor. Klipp inte ogräs med denna maskin.

► **Fig.23**

Håll stadigt i handtaget med båda händerna vid gräsklippningen.

Riktlinjen för gräsklippning är ca 1 meter för var 4:e sekund.

► **Fig.24**

Framhjulens centrumlinjer är klippbreddens riktlinje. Använd centrumlinjerna som riktlinjer, klipp i rader. Överlappa med en halv till en tredjedel på tidigare rad för att klippa gräsmattan jämnt.

► **Fig.25:** 1. Klippbredd 2. Överlappande område 3. Centrumlinje

Ändra klippriktning varje gång för att förhindra mönster i gräsmattan i bara en riktning.

► **Fig.26**

Kontrollera då och då att gräsuppsamlaren inte är full. Töm gräsuppsamlaren innan den är full. Före varje regelbunden kontroll ska gräsklipparen stängas av och säkerhetsnyckeln och batterikassetten tas ut.

**OBS:** Användning av gräsklipparen med en full gräsuppsamlare förhindrar smidig knivrotation och lägger en extra belastning på motorn, vilket kan orsaka motorstopp.

## Klippning av högt gräs

Försök inte att klippa av högt gräs på en och samma gång. Klipp istället gräset i omgångar. Klipp med en eller två dagars mellanrum tills gräsmattan är jämnt klippt.

► **Fig.27**

**OBS:** Att klippa högt gräs kort på en och samma gång kan leda till att gräset dör. Det klippta gräset kan också täppa igen undersidan av gräsklipparen.

## Tömma gräsuppsamlaren

**⚠ VARNING:** För att undvika risken för olyckor ska gräsuppsamlaren kontrolleras regelbundet så att skada eller försvagning inte har uppstått. Byt ut gräsuppsamlaren om så krävs.

1. Släpp säkerhetsgreppet.
2. Ta ut säkerhetsnyckeln.
3. Öppna det bakre höljet och ta ut gräsuppsamlaren med hjälp av handtaget.  
► **Fig.28:** 1. Bakre hölje 2. Handtag 3. Gräsuppsamlare
4. Töm gräsuppsamlaren.

## UNDERHÅLL

**⚠ VARNING:** Se alltid till att säkerhetsnyckeln och batterikassetten tas ut från gräsklipparen innan du tar den i förvar, bär den eller försöker utföra kontroll eller underhåll på den.

**⚠ VARNING:** Ta alltid ut säkerhetsnyckeln när gräsklipparen inte används. Förvara säkerhetsnyckeln på en säker plats utom räckhåll för barn.

**⚠ VARNING:** Bär handskar vid kontroll eller underhåll.

**⚠ VARNING:** Bär alltid korgglasögon eller skyddsglasögon med sidoskydd när du utför kontroll eller underhåll.

**OBSERVERA:** Använd inte bensin, förtunningsmedel, alkohol eller liknande. Missfärgning, deformation eller sprickor kan uppstå.

För att upprätthålla produktens SÄKERHET och TILLFÖRLITLIGHET bör allt underhålls- och justeringsarbete utföras av ett auktoriserat Makita servicecenter och med reservdelar från Makita.

## Underhåll

1. Ta bort säkerhetsnyckeln och batterikassetterna och stäng sedan batterikåpan.
2. Placera gräsklipparen på sidan och ta bort avklippt gräs som har samlats på undersidan av gräsdäcket.
3. Håll vatten mot botten av maskinen som kniven sitter fast på.

**OBSERVERA:** Tvätta inte av maskinen med högtrycksvattenstråle.

4. Kontrollera åtdragningen av alla muttrar, bultar, vred, skruvar, fästaneländningar osv.
5. Kontrollera om klippdelar är skadade, trasiga eller utslitna. Skadade eller saknade delar bör repareras eller bytas ut.
6. Förvara gräsklipparen på en säker plats utom räckhåll för barn.

## Bära gräsklipparen

När gräsklipparen ska bäras ska man vara två personer, som håller i det främre handtaget och det nedre handtaget enligt bilden.

- **Fig.29:** 1. Nedre handtaget 2. Främre handtaget

## Förvaring

Förvara gräsklippare inomhus på en kall, torr och låst plats. Förvara inte gräsklipparen och laddaren på platser där temperaturen kan nå eller överstiga 40 °C.

1. Öppna det bakre höljet och ta ut gräsuppsamlaren med hjälp av handtaget.

- **Fig.30:** 1. Bakre hölje 2. Handtag  
3. Gräsuppsamlare

2. Lossa de lätttrade muttrarna och vik ihop det övre handtaget.

- **Fig.31:** 1. Övre handtaget 2. Lätttrad mutter

## Ta bort eller montera gräsklipparkniven

**⚠ VARNING:** Ta alltid ut säkerhetsnyckeln och batterikassetten när du tar bort eller monterar kniven. Underlåtelse att ta ut säkerhetsnyckeln och batterikassetten kan leda till allvarlig skada.

**⚠ VARNING:** Kniven snurrar i några sekunder efter att säkerhetsgreppet har släppts. Påbörja inget arbete med kniven förrän den har stannat helt.

**⚠ VARNING:** Bär alltid handskar när du hanterar kniven.

## Ta bort gräsklipparkniven

### För DLM460

1. Placera gräsklipparen på sidan så att justeringsspaken för klipphöjd är vänd uppåt.
2. För in en tråkloss eller liknande i gräsklipparen för att låsa kniven.

3. Vrid bulten moturs med nyckeln.

- **Fig.32:** 1. Gräsklipparkniv 2. Nyckel 3. Tråkloss

4. Ta bort bulten, brickan och gräsklipparkniven i den ordningen.

- **Fig.33:** 1. Gräsklipparkniv 2. Bricka 3. Bult

### För DLM461

1. Placera gräsklipparen på sidan så att justeringsspaken för klipphöjd är vänd uppåt.

2. Vrid bulten moturs med nyckeln samtidigt som du håller i bottenplattan.

- **Fig.34:** 1. Nyckel 2. Bottenplatta

3. Ta bort bulten, brickan och bottenplattan i den ordningen.

- **Fig.35:** 1. Bottenplatta 2. Bricka 3. Bult

4. Ta bort själva kniven genom att vrida bulten moturs med nyckeln samtidigt som du håller i bottenplattan.

- **Fig.36:** 1. Bottenplatta 2. Gräsklipparkniv 3. Nyckel

## Installera gräsklipparkniven

Montera gräsklipparkniven genom att följa borttagningsproceduren i omvänd ordning.

**⚠ VARNING:** Montera kniven försiktigt. Den har en sida som ska vara uppåt och en som ska vara nedåt. Placera kniven så att rotationsriktningspilen är riktad utåt.

**⚠ VARNING:** Dra åt bulten medurs ordentligt för att fästa kniven.

**⚠ VARNING:** Se till att kniven och alla fixeringsdelarna monteras korrekt och dras åt ordentligt.

**⚠ VARNING:** När du byter ut knivarna ska du alltid följa anvisningarna i denna bruksanvisning.

### För DLM461

**OBSERVERA:** Vid installation av gräsklipparkniven, skjut gräsklipparkniven enligt bilden så att de utskjutande delarna vidrör gräsklipparkniven.

- **Fig.37:** 1. Utskjutande del 2. Gräsklipparkniv

# FELSÖKNING

Innan du ber om reparation ska du först utföra en egen kontroll. Om du hittar ett problem som inte finns förklarat i bruksanvisningen ska du inte försöka att ta isär maskinen. Fråga istället ett auktoriserad servicecenter för Makita, och använd alltid reservdelar från Makita för reparationer.

Feltillstånd	Trolig orsak (felfunktion)	Atgärd
Gräsklipparen startar inte.	Två batterikassetter är inte insatta.	Sätt i de laddade batterikassetterna.
	Batteriproblem (underspänning)	Ladda batterikassetten på nytt. Om laddning inte hjälper byter du ut batterikassetten.
	Säkerhetsnyckeln är inte i.	Sätt i säkerhetsnyckeln.
Motorn stannar efter en kort stunds användning.	Batterinivån är låg.	Ladda batterikassetten på nytt. Om laddning inte hjälper byter du ut batterikassetten.
	Klipphöjden är för låg.	Höj klipphöjden.
Motorn når inte det maximala varvtalet.	Batterikassetten är felaktigt insatt.	Sätt i batterikassetten enligt anvisningarna i denna bruksanvisning.
	Batterinivån sjunker.	Ladda batterikassetten på nytt. Om laddning inte hjälper byter du ut batterikassetten.
	Drivsystemet fungerar inte som det ska.	Lämnas in till ditt lokala auktoriserade servicecenter för reparation.
Klippverktygen roterar inte: ⇒ stoppa gräsklipparen omedelbart!	Ett främmande föremål som t.ex. en gren har fastnat nära kniven.	Ta bort det främmande föremålet.
	Drivsystemet fungerar inte som det ska.	Lämnas in till ditt lokala auktoriserade servicecenter för reparation.
Onormal vibration: ⇒ stoppa gräsklipparen omedelbart!	Kniven är obalanserad, överdrivet eller ojämnt utsliten.	Byt ut kniven.

## VALFRIA TILLBEHÖR

**⚠ FÖRSIKTIGT:** Följande tillbehör eller tillsatser rekommenderas för användning med den Makita-maskin som denna bruksanvisning avser. Om andra tillbehör eller tillsatser används kan det uppstå risk för personskador. Använd endast tillbehören eller tillsatserna för de syften de är avsedda för.

Kontakta ditt lokala Makita servicecenter om du behöver ytterligare information om dessa tillbehör.

- Gräsklipparkniv
- Makitas originalbatteri och laddare

**OBS:** Några av tillbehören i listan kan vara inkluderade i maskinpaketet som standardtillbehör. De kan variera mellan olika länder.

## TEKNISKE DATA

Modell:		DLM460	DLM461
Kuttebredde (knivdiameter)		460 mm	
Hastighet uten belastning		2 500 min <sup>-1</sup>	
Maks. hastighet		3 300 min <sup>-1</sup>	
Delenummer for reserve gressklipperkniv		199367-2	199368-0
Mål (L x B x H)	ved bruk	L: 1 319 mm til 1 518 mm B: 532 mm H: 879 mm til 1 138 mm	
	ved lagring (uten gresskurven)	L: 1 004 mm til 1 125 mm B: 532 mm H: 533 mm til 713 mm	
Merkespenning		DC 36 V	
Nettovekt		25,3 - 27,6 kg	26,6 - 28,4 kg
Beskyttelsesgrad		IPX4	

- På grunn av vårt kontinuerlige forsknings- og utviklingsprogram kan spesifikasjonene som oppgis i dette dokumentet endres uten varsel.
- Spesifikasjoner og batteriinnsettsats kan variere fra land til land.
- Vekten kan variere avhengig av tilbehøret/tilbehørene, inkludert batteriet. Den letteste og tyngste kombinasjonen, i henhold til EPTA-prosedyre 01/2014, vises i tabellen.

### Standard batteri


BL1815N / BL1820 / BL1820B / BL1830 / BL1830B / BL1840 / BL1840B / BL1850 / BL1850B / BL1860B

- Noen av batteriene som er opplistet ovenfor er kanskje ikke tilgjengelige, avhengig av hvor du bor.

**⚠ ADVARSEL: Bruk kun de batteriene som er opplistet ovenfor.** Bruk av andre batterier kan føre til personskader og/eller brann.


## Symboler


Nedenfor ser du symbolene som brukes for dette utstyret. Forviss deg om at du forstår hva de betyr, før du begynner å bruke maskinen.

 Vær spesielt forsiktig og oppmerksom.

 Les bruksanvisningen.

 Vær oppmerksom på at objekter kan bli kastet ut.

 Avstanden mellom maskinen og andre personer enn operatøren må være minst 15 m.

 Plasser aldri hender og føtter nær bladene under gressklipperen. Knivene fortsetter å rotere etter at motoren er slått av.

 Fjern låsenøkkel før gressklipperen inspiseres, justeres, rengjøres, mottar service, forlates og oppbevares.



Kun for EU-land

Kast aldri elektroutstyr eller batteripakker i husholdningsavfallet!

I henhold til EU-direktivene om kasserte elektriske og elektroniske produkter, og om batterier og akkumulatører og brukte batterier og akkumulatører og direktivenes iverksetting i nasjonal rett, må elektriske produkter og batterier og batteripakker som ikke lenger skal brukes, samles separat og returneres til et miljøvennlig gjenvinningsanlegg.

## Riktig bruk

Denne maskinen er kun laget for gressklipping.

## Støy

Typisk A-vektet lydtryknivå er bestemt i henhold til EN60335-2-77:

### Modell DLM460

Lydtryknivå ( $L_{pA}$ ) : 79 dB (A)

Lydeffektnivå ( $L_{WA}$ ) : 91 dB (A)

Usikkerhet (K): 3,4 dB (A)

Støynivået under arbeid kan overskride 80 dB (A).

**MERK:** Den/de oppgitte verdien(e) for genererte vibrasjoner har blitt målt i henhold til standard testmetoder, og kan bli brukt til å sammenligne ett verktøy med et annet.

**MERK:** Den/de angitte verdien(e) for de genererte vibrasjonene kan også brukes til en foreløpig vurdering av eksponeringen.

**⚠ ADVARSEL:** Bruk hørselsvern.

**⚠ ADVARSEL:** De genererte vibrasjonene ved faktisk bruk av elektroverktøyet kan avvike fra den/de angitte vibrasjonsverdien(e), avhengig av hvordan verktøyet brukes.

**⚠ ADVARSEL:** Sørg for å identifisere vernetiltak for å beskytte operatøren, som er basert på et estimat av eksponeringen under de faktiske bruksforholdene (idet det tas hensyn til alle deler av driftssyklusen, dvs. hvor lenge verktøyet er slått av, hvor lenge det går på tomgang og hvor lenge startbryteren faktisk holdes trykket).

## Vibrasjoner

Den totale vibrasjonsverdien (triaksial vektorsum) bestemt i henhold EN60335-2-77:

### Modell DLM460

Genererte vibrasjoner ( $a_h$ ): 2,5 m/s<sup>2</sup> eller mindre  
Usikkerhet (K): 1,5 m/s<sup>2</sup>

**MERK:** Den/de oppgitte verdien(e) for totalt genererte vibrasjoner har blitt målt i henhold til standard testmetoder, og kan bli brukt til å sammenligne ett verktøy med et annet.

**MERK:** Den/de angitte verdien(e) for totalt genererte vibrasjoner kan også brukes til en foreløpig vurdering av eksponeringen.

**⚠ ADVARSEL:** De genererte vibrasjonene ved faktisk bruk av elektroverktøyet kan avvike fra den/de angitte vibrasjonsverdien(e), avhengig av hvordan verktøyet brukes og spesielt i forhold til arbeidsstykket som blir behandlet.

**⚠ ADVARSEL:** Sørg for å identifisere vernetiltak for å beskytte operatøren, som er basert på et estimat av eksponeringen under de faktiske bruksforholdene (idet det tas hensyn til alle deler av driftssyklusen, dvs. hvor lenge verktøyet er slått av, hvor lenge det går på tomgang og hvor lenge startbryteren faktisk holdes trykket).

## EFs samsvarserklæring

### Gjelder kun for land i Europa

EFs samsvarserklæring er lagt til som vedlegg A i denne bruksanvisningen.

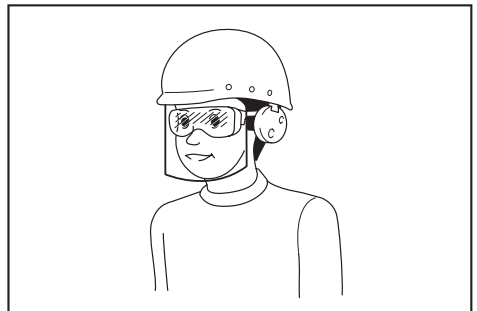
# SIKKERHETSADVARSEL

## Sikkerhetsanvisninger for gressklipper

**⚠ ADVARSEL:** Les alle sikkerhetsadvarslene og alle instruksjonene. Hvis du ikke følger alle advarslene og instruksjonene som er oppført nedenfor, kan det føre til elektriske støt, brann og/eller alvorlige helseskader.

## Oppbevar alle advarsler og instruksjoner for senere bruk.

1. Ikke sett låsenøgkelen i gressklipperen før den er klar til bruk.
2. Barn skal holdes under tilsyn for å sikre at de ikke leker med gressklipperen.
3. La aldri barn eller personer som ikke er kjent med denne bruksanvisningen bruke gressklipperen. Lokale bestemmelser kan omfatte aldersgrenser for bruk av utstyret.
4. Aldri bruk gressklipperen mens uvedkommende (særlig barn og kjæledyr) er tilstede.
5. Vær oppmerksom på at operatøren eller brukeren er ansvarlig for ulykker eller skader som berører andre personer eller deres eiendom.
6. Bruk alltid solid fottey og lange benklær når gressklipperen brukes. Ikke bruk gressklipperen barbeint eller med åpne sandaler. Unngå klær og smykker som er løse eller har hengende snorer eller bånd. De kan sette seg fast i bevegelige deler.
7. Bruk alltid vernebriller for å beskytte øynene mot skade når du bruker elektroverktøyet. Brillene må oppfylle kravene i ANSI Z87.1 i USA, EN 166 i Europa eller AS/NZS 1336 i Australia/New Zealand. I Australia/New Zealand er det dessuten lovpålagt å bruke et ansiktsvern for å beskytte ansiktet.



Det er arbeidsgivers ansvar å påse at verktøyoperatørene og alle andre personer i arbeidsområdets umiddelbare nærhet bruker riktig verneutstyr.

8. Gressklipperen skal kun brukes i dagslys eller ved god kunstig belysning.
9. Unngå å bruke gressklipperen på vått gress.

10. **Bruk og vedlikehold av batteridrevne maskiner**  
 - **Lad opp kun med laderen som er spesifisert av produsenten.** En lader som passer til ett type batteri, kan være brannfarlig når den brukes med et annen batteri.  
 - **Væske som kommer ut av batteriet, kan føre til irritasjon eller brannskader.** Elektriske verktøy skal kun brukes med de angitte batteriene.  
 - **Når batteriet ikke er i bruk, må du holde det borte fra andre metallgjenstander, for eksempel binderser, mynter, nøkler, spiker, skruer eller andre små metallgjenstander som kan skape en forbindelse fra en pol og til den andre.** Hvis batteripolene kortsluttes, kan du få brannskader, eller det kan begynne å brenne.  
 - **Hvis batteriet utsettes for hardhendt bruk, kan det lekke ut væske fra batteriet.** Hvis du kommer i kontakt med batterivæsken, må du skylle med vann. Hvis du får batterivæske i øynene, må du i tillegg oppsøke lege. Væske som kommer ut av batteriet, kan forårsake irritasjon eller forbrenninger.  
 - **Ikke kast batteriet (batteriene) i åpen ild.** Cellen kan eksplodere. Batterier skal leveres til en forhandler av elektroutstyr eller til et kommunalt avfallsmottak.  
 - **Ikke åpne eller ødelegg batteriet (batteriene).** Elektrolytt som lekker ut er korroderende, og kan forårsake skader på øyne og hud. Den kan være giftig hvis den svelges.  
 - **Ikke lad batterier når det regner, eller i fuktige omgivelser.**
11. **Hold alltid godt fast i håndtaket.**
12. **Pass på at du har godt fotfeste i skråninger.**
13. **Gå, ikke løp.**
14. **Ikke grip tak i skjæreblader eller skjærekanten når du plukker opp eller holder i gressklipperen.**
15. **Fysisk form - Bruk ikke gressklipperen under påvirkning av narkotika, alkohol eller noen medikamenter.**
16. **Hold hender og føtter i god avstand fra de roterende bladene.** Forsiktig - knivene fortsetter å rotere etter at gressklipperen er slått av.
17. **Bruk kun produsentens originale blader som spesifisert i denne bruksanvisningen.**
18. **Før bruk må du kontrollere nøye at knivene eller knivboltene ikke har sprekker eller andre skader. Skift ut sprukne eller ødelagte kniver eller knivbolter omgående.**
19. **Sørg for at ingen andre personer befinner seg på området før du begynner å klippe.** Stans gressklipperen hvis noen kommer inn på området.
20. **Før bruk av gressklipperen, fjern fremmedlegemer fra arbeidsområdet, som for eksempel steiner, ledninger, flasker, bein og store pinner, for å hindre helseskade eller skade på gressklipperen.**
21. **Stans arbeidet umiddelbart dersom du noterer noe uvanlig. Slå av gressklipperen og ta ut nøkkelen. Undersøk så gressklipperen.**
22. **Du må aldri justere kuttehøyden mens gressklipperen svinger hvis gressklipperen er utstyrt med funksjonen for justering av kuttehøyde.**
23. **Slipp startbryteren og vent til knivene slutter å rotere før du krysser oppkjørsler, stier, veier og alle grusbelagte områder. I tillegg må du ta ut låsenøkkelen hvis du forlater gressklipperen, skal plukke opp noe eller fjerne noe som ligger i veien, eller hvis noe av en eller annen grunn avleder deg fra det du holder på med.**
24. **Gjenstander som slår mot gressklipperen, kan forårsake alvorlig helseskade. Plenens bør alltid undersøkes nøye og alle objekter fjernes før hver klipping.**
25. **Hvis gressklipperen slår mot et fremmedlegeme, følger du disse trinnene:**  
 - **Stans gressklipperen, slipp startbryteren og vent til bladene stanser helt.**  
 - **Ta ut låsenøkkelen og batteriet.**  
 - **Undersøk gressklipperen nøye for skader.**  
 - **Erstatt bladet om det på noen måte skulle være skadet. Reparer alle skader før ny oppstart og fortsatt bruk av gressklipperen.**
26. **Sjekk gresskurven ofte for slitasje eller skader. For oppbevaring må du alltid sørge for at gresskurven er tom. Av hensyn til sikkerhet må en slitt gresskurv alltid skiftes ut med en ny fabrikkprodusert gresskurv.**
27. **Vær svært forsiktig når du rygger eller trekker gressklipperen mot deg.**
28. **Stans bladene hvis gressklipperen må skråstilles for transportering, ved kryssing av overflater som ikke er gress og under transportering av gressklipperen til og fra området der den skal brukes.**
29. **Aldri bruk en gressklipper som har defekte vern eller beskyttelse, eller som ikke har sikkerhetsutstyr som for eksempel deflektorer og/eller gresskurv på plass.**
30. **Start gressklipperen forsiktig i henhold til instruksjonene og hold føttene på god avstand fra bladene.**
31. **Ikke skråstill gressklipperen når motoren slås på, unntatt når gressklipperen må skråstilles for oppstart. I så fall må den ikke skråstilles mer enn absolutt nødvendig, og det er bare delen som er vendt bort fra brukeren som skal løftes.**
32. **Ikke start gressklipperen mens du står foran avløpsåpningen.**
33. **Ikke plasser hender og føtter nær eller under roterende deler. Hold avstand fra avløpsåpningen til enhver tid.**
34. **Ikke transporter gressklipperen mens den er påslått.**
35. **Stans gressklipperen og fjern deaktiveringssystemet. Påse at alle bevegelige deler har stanset helt - alltid når du forlater gressklipperen,**  
 - **før du fjerner ting som har satt seg fast eller rensrer rennen,**  
 - **før kontroll, rengjøring eller arbeid på gressklipperen,**  
 - **etter å ha slått borti et fremmedlegeme. Inspiser gressklipperen for skade og reparer før ny oppstart og bruk av gressklipperen.**
36. **Hvis gressklipperen begynner å vibrere uvanlig mye (undersøk umiddelbart)**  
 - **inspiser for skader,**  
 - **skift ut eller reparer enhver skadet del,**  
 - **kontroller og stram enhver løs del.**

37. Vær forsiktig under justering av gressklipperen slik at fingrene ikke befinner seg mellom roterende blader og gressklipperens faste deler.
38. Klipp på tvers av skråninger, aldri oppover og nedover. Vær svært forsiktig under endring av retning i skråninger. Ikke klipp allfor bratte skråninger.
39. Kontroller hyppig at bladets festebolt sitter ordentlig fast.
40. Pass på at alle muttere, bolter og skruer sitter fast for å sikre at utstyret er i god stand.
41. La alltid gressklipperen avkjøles før den settes til oppbevaring.
42. Under service på bladene, vær oppmerksom på at selv om strømkilden er avslått, kan bladene fremdeles bevege seg.
43. Erstatt slitte og skadete deler for å trygge sikkerheten. Bruk kun originale reservedeler og tilbehør.
44. Ikke bruk maskinen ved fare for lyn.
45. Når du bruker maskinen på gjørmete underlag, i våte bakker eller på glatte steder, må du passe på at du ikke mister fotfestet.
46. Unngå å arbeide under dårlige forhold som kan føre til utslitthet.
47. Ikke bruk maskinen i dårlig vær med begrenset sikt. Det kan føre til feil bruk eller at du faller på grunn av dårlig sikt.
48. Ikke skift ut batteriet når det regner.
49. Ikke senk maskinen ned i en vannpytt.
50. Ikke etterlat maskinen uten tilsyn utendørs når det regner.
51. Ikke sett inn eller ta ut låsenøkkelen når det regner.
52. Når vått løv eller jord kleber seg til sugeåpningen (ventilasjonsvinduet) på grunn av regn, må det fjernes.
53. Ikke vask maskinen med høytrykksvann.
54. Når du skal vaske maskinen, må du ta ut batteriet og låsenøkkelen, og lukke batteridekselet. Tøm vann mot bunnen av maskinen der kniven er festet.
55. Ved oppbevaring av maskinen skal du unngå direkte sollys og regn, og den skal oppbevares på et sted som ikke blir varmt eller fuktig.
56. Inspeksjon og vedlikehold skal unngås på et sted som er beskyttet mot regn.
57. Før du setter bort maskinen etter bruk må du fjerne all skitt som har satt seg fast og tørke maskinen godt. Avhengig av sesong eller område er det fare for funksjonssvikt på grunn av frost.
58. Ikke la batteriklemmen komme i kontakt med væske som f.eks. vann, og batteriet må heller ikke senkes ned i vann. Ikke la batteriet stå ute i regnet, og du må heller ikke lade, bruke eller oppbevare batteriet på et fuktig eller vått sted. Hvis klemmen blir våt, eller hvis væske trenger inn i batteriet, kan batteriet kortslutte, og det er fare for overoppheting, brann eller eksplosjon.
59. Når du har tatt batteriet ut av maskinen eller laderen, må du feste batteridekselet på batteriet og oppbevare det på et tørt sted.
60. Ikke skift ut batteriet med våte hender.
61. Ikke bruk maskinen i snøen.
62. Hvis det klippede gresset er vått, vil det sannsynligvis sette seg fast inni maskinen. Kontroller maskinens tilstand regelmessig, og fjern gresset som har klebet seg fast ved behov.

## TA VARE PÅ DISSE INSTRUKSENE.

**⚠ ADVARSEL:** IKKE LA hensynet til hva som er "behagelig" eller det faktum at du kjenner produktet godt (etter mange gangers bruk) gjøre deg mindre oppmerksom på sikkerhetsreglene for bruken av det aktuelle produktet.

Ved MISBRUK eller hvis ikke sikkerhetsreglene i denne bruksanvisningen følges, kan det oppstå alvorlig personskaade.

### Viktige sikkerhetsanvisninger for batteriinnset

1. Før du begynner å bruke batteriet, må du lese alle anvisninger og forsiktighetsregler på (1) batteriladeren, (2) batteriet og (3) det produktet batteriet skal brukes i.
2. Ikke ta fra hverandre batteriet.
3. Hvis driftstiden er blitt vesentlig kortere, må du omgående slutte å bruke maskinen. Hvis ikke kan resultatet bli overoppheting, mulige forbrenninger eller til og med en eksplosjon.
4. Hvis du får elektrolytt i øynene, må du skylle dem med store mengder rennende vann og oppsøke lege med én gang. Denne typen uhell kan føre til varig blindhet.
5. Ikke kortslett batteriet:
  - (1) De kan være ekstremt varme og du kan brenne deg.
  - (2) Ikke lagre batteriet i samme beholder som andre metallgjenstander, som for eksempel spiker, mynter osv.
  - (3) Ikke la batteriet komme i kontakt med vann eller regn.
 En kortslutning av batteriet kan føre til et kraftig strømstøt, overoppheting, mulige forbrenninger og til og med til at batteriet går i stykker.
6. Ikke lagre maskinen og batteriet på steder hvor temperaturen kan komme opp i eller overskride 50 °C.
7. Ikke sett fyr på batteriet, ikke engang om det er sterkt skadet eller helt utslitt. Batteriet kan eksplodere hvis det begynner å brenne.
8. Vær forsiktig så du ikke mister batteriet eller utsetter det for slag.
9. Ikke bruk batterier som er skadet.
10. Lithium-ion-batteriene som medfølger er gjenstand for krav om spesialavfall. For kommersiell transport, f.eks. av tredjeparter eller spedtørser, må spesielle krav om pakking og merking følges. Før varen blir sendt, må du forhøre deg med en ekspert på farlig materiale. Ta også hensyn til muligheten for mer detaljerte nasjonale bestemmelser.



Bruk teip eller maskeringsteip for å skjule åpne kontakter og pakk inn batteriet på en slik måte at den ikke kan bevege seg rundt i emballasjen.

11. **Følg lokale bestemmelser for avhengig av batterier.**
12. **Bruk batteriene kun med produkter spesifisert av Makita.** Montere batteriene i produkter som ikke er konforme kan føre til brann, overheting eller elektrolyttlekkasje.

## TA VARE PÅ DISSE INSTRUKSENE.

**⚠FORSIKTIG:** Bruk kun originale Makita-batterier. Bruk av batterier som har endret seg, eller som ikke er originale Makita-batterier, kan føre til at batteriet sprekker og forårsaker brann, personskader og andre skader. Det vil også ugyldiggjøre garantien for Makita-verktøyet og -laderen.

## Tips for å opprettholde maksimal batterilevetid

1. **Lad batteriinnsetsen før den er helt utladet. Stopp alltid driften av verktøyet og lad batteriinnsetsen når du merker at effekten reduseres.**
2. **Lad aldri en batteriinnsets som er fulladet. Overoplading forkorter batteriets levetid.**
3. **Lad batteriet i romtemperatur ved 10 °C - 40 °C. Et varmt batteri må kjøles ned før lading.**
4. **Lad batteriet hvis det ikke har vært brukt på en lang stund (over seks måneder).**

## MONTERING

**⚠ADVARSEL:** Sørg alltid for at låsenøkkelen og batteriet er fjernet før det utføres noe arbeid på gressklipperen. Hvis ikke låsenøkkelen og batteriet fjernes, kan dette forårsake alvorlig personskade ved tilfeldig oppstartning.

**⚠ADVARSEL:** Start aldri opp gressklipperen før det er fullstendig montert. Bruk av verktøyet i en delvis montert tilstand, kan resultere i alvorlig personskade ved tilfeldig oppstartning.

### Montering av håndtaket

**OBS:** Ved montering av håndtak, plasser ledningene slik at de ikke blir sittende fast i noe mellom håndtakene. Hvis ledningen er skadet kan det hende at gressklipperbryteren ikke virker.

1. Fest det nedre håndtaket slik at hullene i håndtaket passer inn i fremspringene på gressklipperen. Sett boltene i fra innsiden, fest skive A fra utsiden, og deretter trekker du til fingermutrene.  
► **Fig.1:** 1. Nedre håndtak 2. Skive A 3. Fingermutter 4. Fremspring 5. Hull 6. Bolt
2. Innrett hullet i det nedre håndtaket med hullet i det øvre håndtaket, sett i boltene fra innsiden, fest skive B fra utsiden, og deretter trekker du til fingermutrene.  
► **Fig.2:** 1. Øvre håndtak 2. Hull 3. Skive B 4. Fingermutter 5. Nedre håndtak 6. Bolt

**⚠FORSIKTIG:** Holde det øvre håndtaket godt, slik at du ikke mister grepet. Ellers kan håndtaket falle ned og føre til personskader.

3. Fest holder A og holde B i håndtaket. Plasser ledningene som vist i figuren.

► **Fig.3:** 1. Ledning 2. Holder A 3. Holder B

**MERK:** Når du fester holder A, må du passe på å feste ledningen med holderen som vist i figuren.

### Ta av tilbehøret for bioklipping

For DLM460

1. Åpne bakdekselet.

► **Fig.4:** 1. Bakdekselet

2. Ta av tilbehøret for bioklipping mens du holder hendelen nede.

► **Fig.5:** 1. Spak 2. Tilbehør for bioklipping

For DLM461

1. Åpne bakdekselet.

► **Fig.6:** 1. Bakdekselet

2. Ta av tilbehøret for bioklipping mens du drar i hendelen.

► **Fig.7:** 1. Tilbehør for bioklipping 2. Hendel

### Monter gresskurven

1. Åpne bakdekselet.

► **Fig.8:** 1. Bakdekselet

2. Hekt gresskurven på stangen på gressklipperen som vist i figuren.

► **Fig.9:** 1. Stang 2. Vern 3. Gresskurv

**OBS:** Kontroller at vernet på gresskurven vender nedover. Ellers kan det hende at gresskurven ikke fanger opp alt det klippede gresset.

### Feste tilbehøret for bioklipping

For DLM460

1. Åpne bakdekselet og fjern gresskurven.

► **Fig.10:** 1. Bakdekselet 2. Gresskurv

2. Fest tilbehøret for bioklipping mens du holder ned spaken og slipp deretter spaken for å låse tilbehøret for bioklipping.

► **Fig.11:** 1. Spak 2. Tilbehør for bioklipping

For DLM461

1. Åpne bakdekselet, og fjern gresskurven.

► **Fig.12:** 1. Bakdekselet 2. Gresskurv

2. Fest tilbehøret for bioklipping mens du drar i hendelen, og slipp deretter hendelen for å låse tilbehøret for bioklipping.

► **Fig.13:** 1. Tilbehør for bioklipping 2. Hendel



# FUNKSJONSBEKRIVELSE

## Sette inn eller ta ut batteri

**⚠FORSIKTIG:** Stå alltid av verktøyet før du setter inn eller fjerner batteriet.

**⚠FORSIKTIG:** Hold verktøyet og batteripatronen i et fast grep når du monterer eller fjerner batteripatronen. Hvis du ikke holder verktøyet og batteripatronen godt fast, kan du miste grepet, og dette kan føre til skader på verktøyet og batteripatronen samt personskafer.

**⚠FORSIKTIG:** Sørg for at du lukker batterilokket før bruk. Ellers kan søle, skitt eller vann påføre skader på produktet eller batteripatronen.

**⚠FORSIKTIG:** Batteriet må alltid settes helt inn, så langt at den røde anviseren ikke lenger er synlig. Hvis dette ikke gjøres, kan batteriet komme til å falle ut av maskinen og skade deg eller andre som oppholder seg i nærheten.

**⚠FORSIKTIG:** Ikke bruk makt når du setter i batteriet. Hvis batteriet ikke glir lett inn, er det fordi det ikke settes inn på riktig måte.

**MERK:** Verktøyet fungerer ikke med kun ett batteri.

### Installering av batteriet;

1. Dra opp låsehendelen, og åpne batteridekselet.  
► **Fig.14:** 1. Batterideksel 2. Låsehendel
2. Rett inn batterituppen mot hakket i gressklipperen, og skyv batteriet til det låses på plass med et lite klikk.  
► **Fig.15:** 1. Batteriinnsett
3. Sett inn låsenøkkelen på stedet vist på figuren, så langt den vil gå.  
► **Fig.16:** 1. Låsenøkkel
4. Lukk batteridekselet og trykk på det inntil det låses sammen med låsespaken.

### Fjerning av batteriet fra gressklipperen;

1. Dra opp batteridekselets låsehendel, og åpne batteridekselet.
2. Trekk batteriinnsettet ut fra gressklipperen mens du skyver på knappen foran på batteriet og trekker det ut.
3. Trekk ut låsenøkkelen.
4. Lukk batteridekselet.

## Batterivernsystem for verktøy/batteri

Verktøyet er utstyrt med et batterivernsystem for verktøy/batteri. Dette systemet kutter automatisk strømmen til motoren for å forlenge verktøyet og batteriets levetid. Verktøyet stopper automatisk under drift hvis verktøyet eller batteriet utsettes for en av følgende tilstander:

### Overlastsikring

Når batteriet brukes på en måte som gjør at det bruker unormalt mye strøm, vil verktøyet stoppe automatisk, og strømlampen blinker grønt. Hvis dette skjer, må du slå av verktøyet og avslutte bruken som forårsaket at verktøyet ble overbelastet. Slå deretter verktøyet på for å starte det igjen.

### Overopphetingsvern

Når verktøyet eller batteriet er overopphetet, stanser verktøyet automatisk, og strømlampen lyser rødt. I dette tilfellet lar du verktøyet og batteriet avkjøles før du starter verktøyet på nytt.

### Overutladningsvern

Når batterikapasiteten blir utilstrekkelig, stopper verktøyet automatisk, og strømlampen blinker rødt. I dette tilfellet tar du batteriet ut av verktøyet og lader batteriene, eller skift ut batteriene med fulladede batterier.

## Indikere gjenværende batterikapasitet

### Kun for batterier med indikatoren

► **Fig.17:** 1. Indikatorlamper 2. Kontrollknapp

Trykk på sjekk-knappen på batteriet for vise gjenværende batterikapasitet. Indikatorlampene lyser i et par sekunder.

Indikatorlamper			Gjenværende batterinivå
Tent	Av	Blinker	
			75 % til 100 %
			50 % til 75 %
			25 % til 50 %
			0 % til 25 %
			Lad batteriet.
			Batteriet kan ha en feil.

**MERK:** Det angitte nivået kan avvike noe fra den faktiske kapasiteten alt etter bruksforholdene og den omgivende temperaturen.

## Kontrollpanel

På kontrollpanelet finner du strømbryteren, knappen for modusskifte og indikatoren for gjenværende batterikapasitet.

► **Fig.18:** 1. Batteriindikator 2. Lampe for modusskifte 3. Strømlampe 4. Kontrollknapp 5. Knapp for modusskifte 6. Strømbryter

## Strømbryter

**ADVARSEL:** Pass på å slå av strømbryteren når den ikke er i bruk.

Slå på maskinen ved å trykke på strømbryteren. Strømlampen lyser grønt. Slå av maskinen ved å trykke på strømbryteren på nytt.

**MERK:** Hvis strømlampen lyser rødt eller blinker grønt, se i instruksjonene for beskyttelsessystemet for verkøy/batteri.






**MERK:** Denne maskinen bruker automatisk utkobling. For å unngå utilsiktet oppstart, vil strømbryteren slås av automatisk når du ikke drar i startbryteren løpet av en viss tidsperiode etter at strømbryteren er slått på.

## Knapp for modusskifte

Du kan bytte driftsmodus ved å trykke på knappen for modusskifte. Når maskinen er slått av, starter maskinen opp i normal modus. Når du trykker på knappen for modusskifte, bytter maskinen til energisparingsmodus, og lampen for modusskifte lyser grønt. I energisparingsmodus kan du redusere støyen under gressklipping. Når du trykker på knappen for modusskifte på nytt, går maskinen tilbake til normal modus.

## Indikere gjenværende batterikapasitet

Trykk på kontrollknappen for vise det gjenværende batterinivået. Batteriindikatorene korresponderer til hvert batteri.

Batteriindikatorstatus		Gjenværende batterikapasitet
 På	 Av	
		50 % - 100 %
		20 % - 50 %
		0% - 20%

## Bryterfunksjon

**ADVARSEL:** Før du setter batteriet inn, må du alltid kontrollere at bryterspaken fungerer som den skal, og at den går tilbake til sin opprinnelige posisjon når du slipper den. Hvis du bruker maskinen med en bryter som ikke fungerer som den skal, kan du komme til å miste kontrollen, og det kan oppstå alvorlige helseskader.

**MERK:** Gressklipperen starter ikke uten at bryterknappen trykkes på, selv hvis du trekker i bryterspaken.

**MERK:** Gressklipperen starter kanskje ikke på grunn av overlasten når du prøver å klippe langt eller tett gress i én økt. I slike tilfeller må du øke klippehøyden.

Denne gressklipperen er utstyrt med sperrebryter og håndtaksbryter. Hvis du noterer noe uvanlig med noen av disse bryterne, stans bruken umiddelbart og la dem bli inspisert av ditt nærmeste Makita autoriserte service-senter.

1. Sett inn batteriene. Sett låsenøkkelen inn i låsebryteren, og lukk batteridekselet.
2. Trykk på strømknappen.
3. Trykk på bryterknappen og hold den inne.
4. Grip det øvre håndtaket og trekk i bryterspaken.

► **Fig.19:** 1. Startknapp 2. Øvre håndtak 3. Startspak

**MERK:** Hvis låsenøkkelen ikke er satt i, blinker strømlampen grønt når du drar i startbryteren.

5. Slipp bryterknappen så snart motoren begynner å kjøre. Gressklipperen vil fortsette å kjøre til du slipper bryterspaken.
6. Slipp bryterspaken for å stanse motoren.

## Tilpasse klippehøyden

**ADVARSEL:** Plasser aldri hånd eller ben under gressklipperens hoveddel når du justerer klippehøyden.

**ADVARSEL:** Sørg alltid for at spaken passer ordentlig inn i fordypningen før bruk.

**For DLM460**

Klippehøyden kan justeres i området mellom 20 mm og 75 mm.

**For DLM461**

Klippehøyden kan justeres i området mellom 16 mm og 71 mm.

Ta ut låsenøkkelen, dra justeringshendelen for klippehøyde utover fra gressklipperen, og beveg den til ønsket klippehøyde.

► **Fig.20:** 1. Justeringshendel for klippehøyde

Hold frontgrepet med én hånd, og beveg deretter justeringshendelen for klippehøyde med den andre hånden.

► **Fig.21:** 1. Justeringshendel for klippehøyde 2. Frontgrep

**MERK:** Tallene for klippehøyde er kun ment å være veiledende. Avhengig av plenen eller bakken kan faktisk plen høyde varierer litt fra den angitte høyden.

**MERK:** Gjør en prøvekutting på et mindre iøynefallende sted for å oppnå den høyden du ønsker.

## Justere håndtakhøyden

**⚠️FORSIKTIG:** Før du tar ut boltene, må du holde godt fast i det øvre håndtaket. Ellers kan håndtaket falle ned og føre til personskader.

Håndtakhøyden kan justeres i tre nivåer.

1. Løse fingermutteren på det nedre håndtaket, og ta ut boltene, skiven og fingermutrene.

► Fig.22: 1. Fingermutter 2. Skive 3. Bolt

2. Justere håndtakhøyden.

3. Sett boltene i fra innsiden, fest skivene fra utsiden, og deretter trekker du til fingermutrene.

## Bruke tilbehøret for bioklipping

Tilbehøret for bioklipping lar deg sende det klippede gresset til bakken uten å samle opp det klippede gresset i gresskurven. Når du bruker maskinen med tilbehøret for bioklipping, må du passe på å fjerne gresskurven.

## Elektronisk funksjon

Maskinen er utstyrt med de elektroniske funksjonen for å gjøre den enklere å bruke.

- Konstant hastighetskontroll  
Elektronisk hastighetskontroll for å oppnå konstant hastighet. Slik oppnår du god utførelse, fordi rotasjonshastigheten holdes konstant selv under belastning.
- Myk start  
Myk start-funksjonen reduserer oppstartssjokket til et minimum, og gjør at maskinen starter mykt.

## BRUK

### Klipping

**⚠️ADVARSEL:** Før klipping, rydd vekk pinner og steiner fra klippeområdet. I tillegg, rensk vekk ugress fra området på forhånd.

**⚠️ADVARSEL:** Bruk alltid vernebriller med sidevern under bruk av gressklipperen.

**⚠️FORSIKTIG:** Hvis det klippede gresset eller fremmedlegemer hopper seg opp inni gressklipperen, må du ta ut låsenøkkelen og batteriet samt ta på deg hansker før du fjerner gresset eller fremmedlegemer.

**OBS:** Denne maskinen skal kun brukes til plenklipping. Ikke klipp ugress med denne maskinen.

► Fig.23

Hold håndtaket fast med begge hender under klippingen.

Retningslinjen for klipperhastighet er omtrent 1 meter på 4 sekunder.

► Fig.24

Senterlinjene på fronthulene er veiledende for klippebredden. Klipp i striper ved hjelp av senterlinjene som veiledning. Overlapp med halvdelen til én tredel av den foregående stripen for å klippe plenen jevnt.

► Fig.25: 1. Klippebredde 2. Overlapping 3. Senterlinje

Skift klipperetning hver gang for å unngå at mønsteret for gresstråretningen dannes bare i én retning.

► Fig.26

Du må regelmessig kontrollere gressnivået i gresskurven. Tøm ut gresset før den blir helt full. Før hver regelmessige kontroll, må du sørge for at du stanser gressklipperen og tar ut låsenøkkelen og batteriet.

**MERK:** Bruk av gressklipperen med gresskurven full, hindrer jevn rotering av bladet og legger en ekstra belastning på motoren, hvilket kan føre til at den bryter sammen.

## Klipping av plenen med høyt gress

Ikke forsøk å kutte langt gress i én omgang. Det er bedre å klippe gresset trinnvis. La det gå en dag eller to mellom hver klipping, inntil plenen blir jevnt kort.

► Fig.27

**MERK:** Dersom gresset klippes kort i én økt, kan det føre til at gresset dør. Oppkuttet gress kan også blokkere innsiden av gressklipperen.

## Tømming av gresskurven

**⚠️ADVARSEL:** For å redusere faren for ulykker, kontroller regelmessig gresskurven for skade eller redusert styrke. Skift om nødvendig ut gresskurven.

1. Slipp bryterspaken.
  2. Ta ut låsenøkkelen.
  3. Åpne bakdekselet, og ta ut gresskurven ved å holde i håndtaket.
- Fig.28: 1. Bakdekselet 2. Håndtak 3. Gresskurv
4. Tøm gresskurven.

## VEDLIKEHOLD

**⚠️ADVARSEL:** Sørg alltid for at låsenøkkelen og batteriet er tatt ut av gressklipperen før oppbevaring eller bæring av gressklipperen, eller forsøk på inspeksjon eller vedlikehold.

**⚠️ADVARSEL:** Du må alltid ta ut låsenøkkelen når gressklipperen ikke er i bruk. Oppbevar låsenøkkelen på et trygt sted, utilgjengelig for barn.

**⚠️ADVARSEL:** Bruk hansker når du utfører inspeksjon eller vedlikehold.

**⚠️ADVARSEL:** Bruk alltid sikkerhets- eller vernebriller med sidevern når du utfører inspeksjon eller vedlikehold.

**OBS:** Aldri bruk gasolin, bensin, tynner alkohol eller lignende. Det kan føre til misfarging, deformering eller sprekkdannelse.

For å opprettholde produktets SIKKERHET og PÅLITELIGHET, må reparasjoner, vedlikehold og justeringer utføres av autoriserte Makita servicesentre eller fabrikkservicesentre, og det må alltid brukes reservedeler fra Makita.

## Vedlikehold

1. Ta ut låsenøkkelen og batteriene, og lukk deretter batteridekselet.
2. Legg gressklipperen over på siden og fjern klippet gress som har samlet seg på undersiden av gressklipperdekket.
3. Tøm vann mot bunnen av maskinen der kniven er festet.

**OBS:** Ikke vask maskinen med høytrykksvann.

4. Kontroller at alle muttere, bolter, knotter, skruer, fester osv. er ordentlig festet.
5. Kontroller bevegelige deler for skade, brudd og slitasje. Skadede og manglende deler skal repareres eller skiftes ut.
6. Oppbevar gressklipperen på et trygt sted som er utgjengelig for barn.

## Bære gressklipperen

Ved bæring av gressklipperen skal to personer holde i frontgrepet og det nedre håndtak som vist i figuren.

- **Fig.29:** 1. Nedre håndtak 2. Frontgrep

## Oppbevaring

Oppbevar gressklipperen innendørs på et kjølig, tørt og låst sted. Ikke lagre gressklipperen og laderen på steder hvor temperaturen kan komme opp i eller overskride 40 °C.

1. Åpne bakdekselet, og ta ut gresskurven ved å holde i håndtaket.
- **Fig.30:** 1. Bakdeksel 2. Håndtak 3. Gresskurv
2. Løs fingermutrene, og fold sammen det øvre håndtaket.
- **Fig.31:** 1. Øvre håndtak 2. Fingermutter

## Demontere eller montere gressklipperkniven

**⚠ ADVARSEL:** Ta alltid ut låsenøkkelen og batteriet når bladet skal fjernes eller monteres. Hvis låsenøkkelen og batteriet ikke fjernes, kan dette forårsake alvorlig personskade.

**⚠ ADVARSEL:** Bladet roterer i noen få sekunder etter at bryteren er sluppet. Ikke start noen form for arbeid før kniven har stanset helt.

**⚠ ADVARSEL:** Når du håndterer bladet, bruk alltid hansker.

## Ta ut gressklipperkniven

### For DLM460

1. Legg gressklipperen over på siden slik at justeringsspaken for klippehøyde kommer opp til den øverste siden.
  2. Du kan låse kniven ved å sette inn et stykke tømmer eller lignende i gressklipperen.
  3. Skru bolten mot urviseren med en skrunøkkel.
- **Fig.32:** 1. Gressklipperkniv 2. Fastnøkkel 3. Tømmer

4. Fjern bolten, skiven og gressklipperkniven etter hverandre.

- **Fig.33:** 1. Gressklipperkniv 2. Skive 3. Bolt

### For DLM461

1. Legg gressklipperen over på siden slik at justeringsspaken for klippehøyde kommer opp til den øverste siden.

2. Drei bolten mot klokken med skrunøkkel mens du holder bunnplaten.

- **Fig.34:** 1. Fastnøkkel 2. Bunnplate

3. Fjern bolten, skiven og bunnplaten etter hverandre.

- **Fig.35:** 1. Bunnplate 2. Skive 3. Bolt

4. Når du skal fjerne den enkeltstående kniven, dreier du bolten mot klokken med skrunøkkel mens du holder bunnplaten.

- **Fig.36:** 1. Bunnplate 2. Gressklipperkniv 3. Skrunøkkel

## Montere gressklipperkniven

Monter gressklipperkniven ved å følge fremgangsmåten for demontering i motsatt rekkefølge.

**⚠ ADVARSEL:** Sett kniven forsiktig inn. Den har en over- og underside. Plasser bladet slik at bladsiden med rotasjonsretningsspilen vises utover.

**⚠ ADVARSEL:** Stram til bolten med urviseren for å feste bladet.

**⚠ ADVARSEL:** Sørg for at kniven og alle festedelenes er riktig montert godt strammet.

**⚠ ADVARSEL:** Når du skifter ut bladene, skal du alltid følge anvisningene i denne håndboken.

### For DLM461

**OBS:** Når du installerer gressklipperkniven må du føre den inn slik det vises i figuren slik at fremspringet berører kniven.

- **Fig.37:** 1. Fremspring 2. Gressklipperkniv

# FEILSØKING

Inspiser utstyret selv før du bestiller reparasjon. Ikke prøv å demontere verktøyet hvis du finner et problem som ikke er forklart i brukerveiledningen. I stedet bør du ta kontakt med et av Makitas autoriserte servicesentre, som alltid bruker reservedeler fra Makita til reparasjoner.

Unormal tilstand	Sannsynlig årsak (feil)	Løsning
Gressklipperen starter ikke.	De to batteriinnsettene er ikke satt inn.	Sett inn de oppladede batteriinnsettene.
	Batteriproblem (med spenning)	Lad batteriet. Hvis ladingen ikke virker, skal batteriet skiftes ut.
	Låsenøkkelen er ikke satt inn.	Sett inn låsenøkkelen.
Motoren slutter å gå etter kort tids bruk.	Batteriets ladenivå er lavt.	Lad batteriet. Hvis ladingen ikke virker, skal batteriet skiftes ut.
	Klippehøyden er for lav.	Hev klippehøyden.
Motoren når ikke maksimalt antall omdreininger per minutt.	Batteriet er riktig satt inn.	Sett inn batteriet som beskrevet i denne håndboken.
	Batterieffekten minsker.	Lad batteriet. Hvis ladingen ikke virker, skal batteriet skiftes ut.
	Drivsystemet virker ikke slik det skal.	Kontakt ditt nærmeste autoriserte servicesenter hvis det oppstår behov for reparasjon.
Klippeverktøyet roterer ikke: ⇒ stans gressklipperen umiddelbart!	Fremmedlegemer, for eksempel grener, har satt seg fast nær kniven.	Fjern fremmedlegemet.
	Drivsystemet virker ikke slik det skal.	Kontakt ditt nærmeste autoriserte servicesenter hvis det oppstår behov for reparasjon.
Unormale vibrasjoner: ⇒ stans gressklipperen umiddelbart!	Kniven er i ubalanse, for slitt eller ujevnt slitt.	Skift ut kniven.

## VALGFRI TTILBEHØR

**⚠FORSIKTIG:** Det anbefales at du bruker dette tilbehøret eller verktøyet sammen med den Makita-maskinen som er spesifisert i denne håndboken. Bruk av annet tilbehør eller verktøy kan forårsake personskafer. Tilbehør og verktøy må kun brukes til det formålet det er beregnet på.

Ta kontakt med ditt lokale Makita-servicesenter hvis du trenger mer informasjon om dette tilbehøret.

- Gressklipperkniv
- Makita originalbatteri og lader

**MERK:** Enkelte elementer i listen kan være inkludert som standardtilbehør i verktøypakken. Elementene kan variere fra land til land.

## TEKNISET TIEDOT

Malli:	DLM460	DLM461
Leikkuuleveys (terän halkaisija)	460 mm	
Kuormittamaton kierrosnopeus	2 500 min <sup>-1</sup>	
Enimmäisnopeus	3 300 min <sup>-1</sup>	
Ruohonleikkurin vaihtoterän osanumero	199367-2	199368-0
Mitat (P x L x K)	toiminnan aikana	P: 1 319 mm – 1 518 mm L: 532 mm K: 879 mm – 1 138 mm
	varastoitessa (ilman ruohosäiliötä)	P: 1 004 mm – 1 125 mm L: 532 mm K: 533 mm – 713 mm
Nimellisjännite	DC 36 V	
Nettopaino	25,3 – 27,6 kg	26,6 – 28,4 kg
Suojausluokka	IPX4	

- Jatkuvasta tutkimus- ja kehitystyöstämme johtuen esitetyt tekniset tiedot saattavat muuttua ilman erillistä ilmoitusta.
- Tekniset tiedot ja akkupaketti voivat vaihdella maittain.
- Paino voi olla erilainen lisävarusteista sekä akusta johtuen. EPTA-menetellytavan 01/2014 mukaisesti, taulukossa on kuvattu kevyin ja painavin laiteyhdistelmä.

### Käytettävä akkupaketti







BL1815N / BL1820 / BL1820B / BL1830 / BL1830B / BL1840 / BL1840B / BL1850 / BL1850B / BL1860B

- Tiettyjä yläpuolella kuvattuja akkuja ei ehkä ole saatavana asuinalueestasi johtuen.

**VAROITUS:** Käytä vain edellä eriteltyjä akkupaketteja. Muiden akkupakettien käyttäminen voi aiheuttaa loukkaantumisen ja/tai tulipalon.

## Symbolit

Laitteessa on käytetty seuraavia symboleja. Opettele niiden merkitys ennen käyttöä.

	Noudata erityistä varovaisuutta ja kiinnitä huomiota.
	Lue käyttöohje.
	Vaara; varo sinkoutuvia kappaleita.
	Sivullisten henkilöiden etäisyyden työkälistä on oltava vähintään 15 m.
	Pidä kätesi ja jalkasi kaukana ruohonleikkurin alla olevasta terästä. Terät jatkavat pyörimistä moottorin sammuttamisen jälkeen.
	Irrota lukitusavain ennen ruohonleikkurin tarkistamista, säätämistä, puhdistamista, huoltamista tai asettamista säilöön.



Koskee vain EU-maita  
Älä hävitä sähkölaitteita tai akkuja tavallisen kotitalousjätteen mukana!  
Sähkö- ja elektroniikkalaiteromua koskevan EU-direktiivin ja paristoja ja akkuja sekä käytettyjä paristoja ja akkuja koskevan direktiivin ja niiden maakohtaisten sovellusten mukaisesti käytetyt sähkölaitteet ja akut on toimitettava ongelmajätteen keräyspisteeseen ja ohjattava ympäristöystävälliseen kierrätykseen.

## Käyttötarkoitus

Työkalu on tarkoitettu ruohonleikkuuseen.

## Melutaso

Tyypillinen A-painotettu melutaso määräytyy standardin EN60335-2-77 mukaan:

### Malli DLM460

Äänenpainetaso ( $L_{pA}$ ) : 79 dB (A)  
Äänen voiman taso ( $L_{WA}$ ) : 91 dB (A)  
Virhemarginaali (K): 3,4 dB (A)

Työskentelyn aikana melutaso voi ylittää 80 dB (A).

**HUOMAA:** Ilmoitetut melutasoarvot on mitattu standarditestausten mukaisesti ja niiden avulla voidaan vertailla työkaluja keskenään.

**HUOMAA:** Ilmoitettuja melutasoarvoja voidaan käyttää myös altistumisen alustavaan arviointiin.

**VAROITUS:** Käytä kuulosuojaimia.

**VAROITUS:** Sähkötyökalun käytön aikana mitattu melutasoarvo voi poiketa ilmoitetuista arvoista laitteen käyttötavan ja erityisesti käsiteltävän työkalupaleen mukaan.

**VAROITUS:** Selvitä käyttäjän suojaamiseksi tarvittavat varoimet todellisissa käyttöolosuhteissa tapahtuvan arvioidun altistumisen mukaisesti (ottaen huomioon käyttöjakso kokonaisuudessaan, myös jaksot, joiden aikana laite on sammutettuna tai käy tyhjäkäynnillä).

## Tärinä

Kokonaistärinä (kolmen akselin vektorien summa) määräytyy standardin EN60335-2-77 mukaan:

**Malli DLM460**

Tärinäpäästö ( $a_{h,r}$ ): 2,5 m/s<sup>2</sup> tai alaisempi  
Virhemarginaali (K): 1,5 m/s<sup>2</sup>

**HUOMAA:** Ilmoitetut kokonaistärinäarvot on mitattu standarditestausten mukaisesti ja niiden avulla voidaan vertailla työkaluja keskenään.

**HUOMAA:** Ilmoitettuja kokonaistärinäarvoja voidaan käyttää myös altistumisen alustavaan arviointiin.

**VAROITUS:** Sähkötyökalun käytön aikana mitattu todellinen tärinäpäästöarvo voi poiketa ilmoitetuista arvoista laitteen käyttötavan ja erityisesti käsiteltävän työkalupaleen mukaan.

**VAROITUS:** Selvitä käyttäjän suojaamiseksi tarvittavat varoimet todellisissa käyttöolosuhteissa tapahtuvan arvioidun altistumisen mukaisesti (ottaen huomioon käyttöjakso kokonaisuudessaan, myös jaksot, joiden aikana laite on sammutettuna tai käy tyhjäkäynnillä).

## EY-vaatimustenmukaisuusvakuutus

*Koskee vain Euroopan maita*

EY-vaatimustenmukaisuusvakuutus on liitetty tähän käyttöoppaaseen.

## TURVAVAROITUKSET

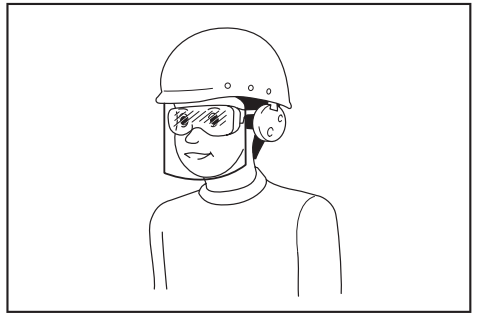
### Ruohonleikkurin turvallisuusohjeet

**VAROITUS:** Lue huolellisesti kaikki turvallisuusvaroitukset ja käyttöohjeet. Jos varoitusten ja ohjeiden noudattaminen laiminlyödään, seurauksena voi olla sähköisku, tulipalo ja/tai vakava vammautuminen.

### Säilytä varoitukset ja ohjeet tulevaa käyttöä varten.

1. Aseta lukitusavain ruohonleikkuriin vasta, kun leikkuri on käyttövalmis.
2. Lapsia tulee valvoa ja varmistaa etteivät he pääse leikkimään ruohonleikkurilla.

3. Älä anna lasten tai näihin ohjeisiin perehtymättömien henkilöiden käyttää ruohonleikkuria. Paikalliset määräykset voivat rajoittaa käyttäjän ikää.
4. Ruohonleikkuria ei saa koskaan käyttää, kun lähistöllä on muita henkilöitä, etenkin lapsia, tai lemmikkieläimiä.
5. Muista, että käyttäjä vastaa tapaturmista tai vahingoista, jotka hän aiheuttaa muille ihmisille tai heidän omaisuudelleen.
6. Käytä ruohonleikkuria käyttäessäsä aina tukevia jalkeineita ja pitkiä housuja. Älä käytä ruohonleikkuria paljain jaloin tai avosandaalit jalassa. Älä käytä vaatteita tai koruja, jotka ovat väljiä tai joissa on irrallisia nauhoja tai ketjuja. Ne voivat tarttua laitteen liikkuviin osiin.
7. Käytä aina suojalaseja silmiesi suojaamiseksi tapaturmia vastaan sähkökäyttöisten laitteiden käytön aikana. Suojalasien täytyy noudattaa ANSI Z87.1 Yhdysvalloissa, EN 166 Euroopassa tai AS/NZS 1336 Australiassa / Uudessa Seelannissa olevia vaatimuksia. Australiassa / Uudessa Seelannissa on lainmukaisesti pakollista käyttää kasvosuojaimia myös kasvojen suojaamiseksi.



Työnantajien velvollisuuksiin kuuluu varmistaa, että laitteen käyttäjät ja työpaikan välittömässä läheisyydessä olevat muut sivulliset henkilöt käyttävät asianmukaisia henkilönsuojaimia.

8. Käytä ruohonleikkuria vain päivänvalossa tai kirkkaassa keinovalossa.
9. Vältä ruohonleikkurin käyttämistä märällä nurmikolla.
10. Akkukäyttöisen työkalun käyttö ja hoito
  - Lataa akkua vain valmistajan määrittämällä laturilla. Tietyille akkupaketille sopiva laturi voi aiheuttaa tulipalovaaran, jos sitä käytetään muun tyyppisen akkupaketin yhteydessä.
  - Käytä sähkötyökaluja vain niille tarkoitettujen akkujen kanssa. Muunlaisten akkujen käyttäminen voi aiheuttaa loukkaantumisen tai tulipalovaaran.
  - Kun akku ei ole käytössä, säilytä se erillään metalliesineistä, kuten paperiliittimistä, kolikoista, avaimista, nauloista, ruuveista ja muista pienistä metalliesineistä, jotka voivat yhdistää akun navat. Akun napojen oikosulkeminen voi aiheuttaa palovamman tai tulipalon.



- Akusta voi vuotaa nestettä, jos sitä käsitellään väärin; vältä kosketusta. Jos nestettä pääsee iholle vahingossa, huuhtele iho vedellä.
  - Jos nestettä pääsee silmiin, hakeudu lääkärin hoitoon. Ulos purkautunut akkuneste voi ärsyttää ihoa tai aiheuttaa palovammoja.
  - Älä hävitä akkuja polttamalla. Akkukkenno voi räjähtää. Tarkista, onko paikallisissa määräyksissä erityisiä laitetta koskevia hävitysohjeita.
  - Älä avaa tai riko akkuja. Akusta mahdollisesti vuotava elektrolyytti on syövyttävää ja saattaa vaurioittaa ihoa tai silmiä. Se saattaa olla myrkyllistä nieltynä.
  - Älä lataa akkua sateessa tai kosteissa olosuhteissa.
11. Pidä aina tukevasti kiinni kahvasta.
  12. Varmista aina tukeva jalansija rinteessä työskennellessäsi.
  13. Kävele, älä koskaan juokse.
  14. Älä tartu leikkuuteriin tai leikkaaviin reunoihin, kun nostat tai kannattelet ruohonleikkuria.
  15. Fyysinen kunto - älä käytä ruohonleikkuria huumausaineiden, alkoholin tai lääkityksen alaisena.
  16. Pidä jalkasi ja kätesi kaukana pyörivistä teristä. Varoitus - terät pyörivät vielä sen jälkeen kun leikkuri on kytketty pois päältä.
  17. Käytä vain valmistajan tässä ohjeessa ilmoittamia teriä.
  18. Tarkista ennen työskentelyn aloittamista, ettei terissä tai terien pulteissa ole halkeamia tai muita vikoja. Vaihda halkeilleet tai muut vahingoittuneet terät tai terien pultit heti uusiin.
  19. Varmista ennen ruohonleikkuruun aloittamista, ettei alueella ole muita ihmisiä. Lopeta ruohonleikkurin käyttö, jos työskentelyalueelle tulee muita.
  20. Poista työskentelyalueelta vieraat esineet, kuten kivet, langat ja köydet, pullot, luut ja suuret kepit, välttääksesi henkilövahingot tai ruohonleikkurin vahingot.
  21. Lopeta käyttö heti, jos havaitset jotakin epätavallista. Sammuta ruohonleikkuri ja irrota avain. Tarkista sitten ruohonleikkuri.
  22. Jos ruohonleikkurissa on leikkuukorkeuden säätömahdollisuus, älä koskaan yritä säätää leikkuukorkeutta, kun ruohonleikkuri on käynnissä.
  23. Vapautta kytkinvipu ja anna terien pysähtyä ennen ajo- ja kävelyreittien, yleisten teiden tai sorapintaisten alueiden ylittämistä. Poista lukitusavain, jos poistut ruohonleikkurin luota, kurotut nostamaan jotakin tai ottamaan jotakin pois tieltä tai teet muuta, joka voi jostain syystä siirtää huomiosi pois laitteen käytöstä.
  24. Ruohonleikkurin terien sinkoamat esineet voivat aiheuttaa vakavia henkilövahinkoja. Ennen jokaista leikkuukertaa nurmikko on tutkittava huolellisesti ja ylimääräiset esineet on poistettava alueelta.
  25. Jos ruohonleikkuri osuu vieraaseen esineeseen, toimi seuraavasti:
    - Pysäytä ruohonleikkuri, vapautta kytkinvipu ja odota, että terä pysähtyy täysin.
  - Poista lukitusavain ja irrota akkupaketti.
  - Tarkista ruohonleikkuri huolellisesti vaurioiden varalta.
  - Vaihda terä, jos se on jotenkin vaurioitunut. Korjaa mahdolliset vahingot ennen ruohonleikkurin uudelleen käynnistämistä ja toiminnan jatkamista.
26. Tarkista säännöllisesti, ettei ruohosäiliössä ole kulumia tai murtumia. Tarkista ennen laitteen asettamista säiliöön, että ruohosäiliö on tyhjä. Kulunut ruohosäiliö on turvallisuussyistä korvattava tehdasuudella.
  27. Ole erityisen varovainen, kun peruutat ruohonleikkuria tai vedät sitä itseäsi kohti.
  28. Pysäytä terät, jos ruohonleikkuria on tarpeen kallistaa ruohottomia alueita ylittettäessä, sekä silloin, kun siirrä sitä leikattavalle nurmi-alueelle ja takaisin.
  29. Älä koskaan käytä ruohonleikkuria, jos suojukseset tai kivet ovat viottuneet tai turvalaitteet, esimerkiksi kivisuojat ja/tai ruohosäiliö, eivät ole paikallaan.
  30. Käynnistä moottori varovaisuutta noudattaen ja ohjeiden mukaisesti ja pidä jalkasi poissa terän (terien) ulottuvilta.
  31. Älä kallista ruohonleikkuria moottorin käynnistyksen aikana, ellei se ole käynnistyksen kannalta välttämätöntä. Jos kallistaminen on välttämätöntä, kallista laitetta mahdollisimman vähän ja kohota vain käyttäjään nähden kauimpana olevaa puolta.
  32. Älä käynnistä ruohonleikkuria seisossasi poistoaukon edessä.
  33. Älä aseta käsiäsi tai jalkojasi pyörivien osien alle tai lähelle. Pidä poistoaukko aina esteettömänä jäämistä.
  34. Älä kuljeta ruohonleikkuria sen ollessa käynnissä.
  35. Pysäytä ruohonleikkuria ja irrota käytönestolaitte. Varmista, että kaikki liikkuvat osat ovat täysin pysähtyneet
    - aina poistuessa ruohonleikkurin luota,
    - ennen tukkeumien selvittämistä tai kourun puhdistamista,
    - ennen ruohonleikkurin tarkastamista, puhdistamista tai kunnossapitoa,
    - laitteen osuttua vierasesineeseen. Tarkasta ruohonleikkuri vaurioiden varalta ja korjaa mahdolliset viat, ennen kuin käynnistät sen uudelleen.
  36. Jos ruohonleikkuri alkaa tärinästä epänormaalisti (tutki syy heti)
    - Tarkasta vauriot,
    - Vaihda tai korjaa vaurioituneet osat,
    - Tarkasta ja kiristä löystyneet osat.
  37. Varo laitteen säätämisen aikana, etteivät sormesi jää pyörivien terien ja ruohonleikkurin kiinteiden osien väliin.
  38. Leikkaa nurmikko rinteessä aina poikittais-suuntaan, älä koskaan ylös ja alas. Ole erityisen varovainen vaihtaessasi suuntaa rinteissä. Älä leikkaa nurmikkoa liian jyrkissä rinteissä.
  39. Tarkista säännöllisesti, että terän kiinnityspultit ovat riittävän kireällä.



40. Varmista laitteen käyttöturvallinen kunto tarkistamalla, että kaikki mutterit, pultit ja ruuvit ovat tiukasti kiinni.
41. Anna ruohonleikkurin jäähtyä, ennen kuin siirrät sen varastoon.
42. Kun huollat teriä, muista, että vaikka virta on katkaistu, terät voivat silti liikkua.
43. Vaihda kuluneet tai vioittuneet osat turvallisuusyistä. Käytä vain aitoja varaosia ja tarvikkeita.
44. Älä käytä laitetta, kun on olemassa salamaniskun vaara.
45. Kun käytät laitetta mutaisessa maastossa, märässä rinteessä tai liukkaassa paikassa, kiinnitä erityistä huomiota hyvän tasapainon säilyttämiseen.
46. Vältä työskentelemistä heikoissa olosuhteissa, jotka saattavat uuvuttaa käyttäjää liiallisesti.
47. Älä käytä laitetta huonoissa sääoloissa, kun näkyvyys on rajoittunut. Muussa tapauksessa seurauksena voi olla heikentyneestä näkyvyydestä johtuva kaatuminen tai virhekäyttö.
48. Älä vaihda akkua sateessa.
49. Älä upota laitetta lammikkoihin.
50. Älä jätä laitetta ulos sateeseen ja valvomatta.
51. Älä aseta lukitusavainta paikalleen tai poista sitä sateella.
52. Poista imuaukkoon (tuuletusaukkoon) kiinni jäävät märät lehdet ja liika.
53. Älä pese laitetta korkeapaineisella vesisuihkulla.
54. Kun peset laitteen, irrota akku, poista lukitusavain ja sulje akun suojakansi ennen pesua ja kaada laitteen päälle vettä niin, että se valuu laitteen pohjaa eli terän kiinnityskohtaa kohti.
55. Kun varastoit laitteen, vältä sijoittamasta sitä paikkaan, jossa se altistuu suoralle auringonpaisteelle, sateelle, kuumuudelle tai kosteudelle.
56. Tee tarkistukset ja huoltotoimet paikassa, joka on suojassa sateelta.
57. Irrota kiinni jäänyt lika laitteesta ja kuivaa laite huolellisesti ennen sen varastointia. Muutoin voi olla olemassa riski jäätymisestä johtuvalle toimintahäiriöllä vuodenajasta ja alueesta riippuen.
58. Älä kastele akun liittimiä nesteellä, kuten vedellä, äläkä upota akkua nesteeseen. Älä jätä akkua sateeseen, äläkä lataa tai käytä akkua kosteassa tai märässä paikassa tai varastoi sitä tällaiseen paikkaan. Jos liitin kastuu tai akun sisälle pääsee nestettä, akku voi mennä oikosulkuun, mikä aiheuttaa ylikuumenemisen, tulipalon tai räjähdyksen vaaran.
59. Kun akku on poistettu laitteesta tai laturista, kiinnitä akun suojakansi akkuun ja varastoi se kuivaan paikkaan.
60. Älä vaihda akkua märin käsin.
61. Älä käytä laitetta lumessa.
62. Jos leikkattava nurmikko on märkää, sitä todennäköisesti pakkaantuu laitteen sisälle. Tarkista tällöin laitteen kunto säännöllisesti ja poista kiinni jäänyt ruoho tarvittaessa.

## SÄILYTÄ NÄMÄ OHJEET.

**VAROITUS:** ÄLÄ anna työkalun helppokäyttöisyyden (toistuvan käytön aikaansaama) johtaa sinua väärään turvallisuuden tunteeseen niin, että laiminlyöt työkalun turvaohjeiden noudattamisen. **VÄÄRINKÄYTTÖ** tai tässä käyttöohjeessa ilmoitettujen turvamääräysten laiminlyönti voi aiheuttaa vakavia henkilövahinkoja.

## Akkupakettia koskevia tärkeitä turvaohjeita

1. Ennen akun käyttöönottoa tutustu kaikkiin laturissa (1), akussa (2) ja akkukäyttöisessä tuotteessa (3) oleviin varoitusteksteihin.
2. Älä pura akkua.
3. Jos akun toiminta-aika lyhenee merkittävästi, lopeta akun käyttö. Seurauksena voi olla ylikuumeneminen, palovammoja tai jopa räjähdys.
4. Jos akkunestettä pääsee silmiin, huuhtele puhtaalla vedellä ja hakeudu välittömästi lääkärin hoitoon. Akkuneste voi aiheuttaa näön menetyksen.
5. Älä oikosulje akkua.
  - (1) Älä koske akun napoihin millään sähköä johtavalla materiaalilla.
  - (2) Vältä akun oikosulkemista äläkä säilytä akkua yhdessä muiden metalliesineiden, kuten naulojen, kolikoiden ja niin edelleen kanssa.
  - (3) Älä aseta akkua alttiiksi vedelle tai sateelle.
 Oikosulku voi aiheuttaa virtapiikin, ylikuumenemista, palovammoja tai laitteen rikkoontumisen.
6. Älä säilytä työkalua ja akkua paikassa, jossa lämpötila voi nousta 50 °C:een tai sitäkin korkeammaksi.
7. Älä hävitä akkua polttamalla, vaikka se olisi pahoin vaurioitunut tai täysin loppuun kulunut. Avotuli voi aiheuttaa akun räjähtämisen.
8. Varo kolhimasta tai pudottamasta akkua.
9. Älä käytä viallista akkua.
10. Sisältyvät litium-ioni-akkuja koskevat vaarallisten aineiden lainsäädännön vaatimukset. Esimerkiksi kolmansien osapuolten huolintaliikkeiden tulee kaupallisissa kuljetuksissa noudattaa pakkaamista ja merkintöjä koskevia erityisvaatimuksia. Lähetettävän tuotteen valmistelu edellyttää vaarallisten aineiden asiantuntijan neuvontaa. Huomioi myös mahdollisesti yksityiskohtaisemmat kansalliset määräykset. Akun avoimet liittimet tuleen suojata teipillä tai suojuksella ja pakkaaminen tulee tehdä niin, ettei akku voi liikkua pakkauksessa.
11. Hävitä akku paikallisten määräysten mukaisesti.
12. Käytä akkuja vain Makitan ilmoittamien tuotteiden kanssa. Akkujen asentaminen yhteensopimattomiin tuotteisiin voi aiheuttaa tulipalon, liiallisen ylikuumenemisen, räjähdyksen tai akkunestevuotoja.

## SÄILYTÄ NÄMÄ OHJEET.

**⚠HUOMIO:** Käytä vain alkuperäisiä Makita-akkuja. Muiden kuin aitojen Makita-akkujen, tai mahdollisesti muutettujen akkujen käyttö voi johtaa akun murtumiseen ja aiheuttaa tulipaloja, henkilö- ja omaisuusvahinkoja. Se mitätöi myös Makita-työkalun ja -laturin Makita-takuun.

## Vihjeitä akun käyttöiän pidentämiseksi

1. Lataa akku ennen kuin se purkautuu täysin. Lopeta aina työkalun käyttö ja lataa akku, jos huomaat työkalun tehon vähenevän.
2. Älä koskaan lataa uudestaan täysin ladattua akkua. Yliilataaminen lyhentää akun käyttöikää.
3. Lataa akku huoneen lämpötilassa välillä 10 °C - 40 °C. Anna kuuman akun jäähtyä ennen lataamista.
4. Lataa akkupaketti, jos et käytä sitä pitkään aikaan (yli kuusi kuukautta).

## KOKOONPANO

**⚠VAROITUS:** Varmista aina ennen ruohonleikkurin huolto- ja korjaustoimia, että lukitusavain ja akkupaketti on irrotettu. Jos lukitusavainta ja akkua ei irroteta, laite voi käynnistyä vahingossa ja aiheuttaa vakavia vammoja.

**⚠VAROITUS:** Älä koskaan käynnistä työkalua, jos sen kaikkia osia ei ole täysin asennettu. Jos kaikkia osia ei ole asennettu, työkalu voi käynnistyä tahattomasti ja aiheuttaa vakavia vammoja.

## Kahvan asentaminen

**HUOMAUTUS:** Kun asennat kahvoja, sijoita liitäntäjohdot siten, etteivät ne voi tarttua mihinkään kahvojen välissä. Jos virtajohto vaurioitunut, ruohonleikkurin kytkin ei ehkä toimi.

1. Kiinnitä kahvan alaosa siten, että kahvassa olevat reiät osuvat ruohonleikkurin rungossa oleviin ulkoneisiin. Aseta pultit reikiin sisäpuolelta, aseta aluslevy A pultteihin ulkopuolelta ja kiristä lopuksi siipimutterit.  
► **Kuva1:** 1. Kahvan alaosa 2. Aluslevy A 3. Siipimutteri 4. Ulkonema 5. Reikä 6. Pultti
2. Kohdista kahvan ala- ja yläosissa olevat reiät toistensa kanssa. Aseta sitten pultit reikiin sisäpuolelta, aseta aluslevy B pultteihin ulkopuolelta ja kiristä lopuksi siipimutterit.  
► **Kuva2:** 1. Kahvan yläosa 2. Reikä 3. Aluslevy B 4. Siipimutteri 5. Kahvan alaosa 6. Pultti

**⚠HUOMIO:** Pidä kahvan yläosaa lujasti niin, ettei se putoa kädestäsi. Muutoin kahva voi kaatua ja aiheuttaa vammoja.

3. Kiinnitä pidikkeet A ja B kahvaan. Sijoita johdot paikalleen kuvan mukaisesti.  
► **Kuva3:** 1. Johto 2. Pidike A 3. Pidike B

**HUOMAA:** Kun kiinnität pidikkeen A, kiinnitä johto pidikkeeseen kuvan mukaisesti.

## Levityslaitteen irrottaminen

**Malli DLM460**

1. Avaa takakansi.  
► **Kuva4:** 1. Takakansi
2. Paina vipua alas ja irrota samalla levityslaite.  
► **Kuva5:** 1. Vipu 2. Levityslaite

**Malli DLM461**

1. Avaa takakansi.  
► **Kuva6:** 1. Takakansi
2. Vedä vipua ja irrota samalla levityslaite.  
► **Kuva7:** 1. Levityslaite 2. Vipu

## Ruohosäiliön asentaminen

1. Avaa takakansi.  
► **Kuva8:** 1. Takakansi
2. Ripusta ruohosäiliö ruohonleikkurin rungossa olevaan tankoon kuvan mukaisesti.  
► **Kuva9:** 1. Tanko 2. Suojus 3. Ruohosäiliö

**HUOMAUTUS:** Tarkista, että ruohosäiliön suojus on suunnattu alaspäin. Muutoin kaikki leikattu ruoho ei ehkä kulkeudu ruohosäiliöön.

## Levityslaitteen kiinnittäminen

**Malli DLM460**

1. Avaa takakansi ja irrota ruohosäiliö.  
► **Kuva10:** 1. Takakansi 2. Ruohosäiliö
2. Kun kiinnität levityslaitteen, pidä vipua alhaalla. Lukitse levityslaite paikalleen sitten vapauttamalla vipu.  
► **Kuva11:** 1. Vipu 2. Levityslaite

**Malli DLM461**

1. Avaa takakansi ja irrota ruohosäiliö.  
► **Kuva12:** 1. Takakansi 2. Ruohosäiliö
2. Kun kiinnität levityslaitteen, pidä vipu koko ajan painettuna. Kun haluat lukita levityslaitteen paikalleen, vapauta vipu.  
► **Kuva13:** 1. Levityslaite 2. Vipu

# TOIMINTOJEN KUVAUS

## Akun asentaminen tai irrottaminen

**▲HUOMIO:** Sammuta työkalu aina ennen akkupaketin kiinnittämistä tai irrottamista.

**▲HUOMIO:** Pidä työkalusta ja akusta tiukasti kiinni, kun irrotat tai kiinnität akkua. Jos akkupaketti tai työkalu putoaa, ne voivat vaurioitua tai aiheuttaa tapaturman.

**▲HUOMIO:** Varmista ennen käyttöä, että akun suojus on lukittu. Muuten muta, hiekka tai vesi voisi vaurioittaa tuotetta tai akkua.

**▲HUOMIO:** Työnnä akku aina pohjaan asti, niin että punainen ilmaisain ei enää näy. Jos akku ei ole kunnolla paikallaan, se voi pudota työkalusta ja aiheuttaa vammoja joko sinulle tai sivullisille.

**▲HUOMIO:** Älä käytä voimaa akun asennuksessa. Jos akku ei liu'u paikalleen helposti, se on väärässä asennossa.

**HUOMAA:** Työkalu ei toimi yhdellä akulla.

### Akun kiinnittäminen paikalleen;

1. Vedä lukitusvipu ylös ja avaa sitten akun suojakansi.

► **Kuva14:** 1. Akun suojus 2. Lukitusvipu

2. Kohdista akkupaketin kieli ruohonleikkurin rakoön ja liu'uta sitten akkupakettia, kunnes se lukkiutuu paikalleen vaimeasti naksauten.

► **Kuva15:** 1. Akkupaketti

3. Työnnä lukitusavain paikalleen niin pitkälle kuin sen menee.

► **Kuva16:** 1. Lukitusavain

4. Sulje akun kansi ja työnnä sitä, kunnes se lukittuu lukitusvivulla.

### Akun irrottaminen ruohonleikkurista;

1. Vedä akun suojakannen lukitusvipu ylös ja avaa akun suojakansi.

2. Irrota akku painamalla akkupaketin etupuolella olevaa painiketta ja vetämällä akku ulos työkalusta.

3. Vedä lukitusavain irti.

4. Sulje akun suojus.

## Työkalun/akun suojausjärjestelmä

Työkalu on varustettu työkalu/akun suojausjärjestelmällä. Tämä järjestelmä pidentää työkalun ja akun käyttöikää katkaisemalla automaattisesti moottorin virran. Työkalu pysähtyy automaattisesti kesken käytön, jos työkalussa tai akussa ilmenee jokin seuraavista tilanteista:

## Ylikuormitusuoja

Kun akkua käytetään tavalla, joka saa sen kuluttamaan epätavallisen suuren määrän virtaa, työkalu pysähtyy automaattisesti ja päävirran merkkivalo vilkkuu vihreänä. Katkaise tässä tilanteessa laitteesta virta ja lopeta ylikuormitus tilan aiheuttanut käyttö. Käynnistä sitten laite uudelleen kytkemällä siihen virta.

## Ylikuumenemissuoja

Työkalun ylikuumentessa se pysähtyy automaattisesti ja päävirran merkkivalo alkaa vilkkua punaisena. Anna silloin laiteen tai akun jäähtyä, ennen kuin kytket laitteen uudelleen virran.

## Ylipurkautumissuoja
















Jos akkukapasiteetti ei riitä, laite pysähtyy automaattisesti ja päävirran merkkivalo alkaa vilkkua punaisena. Irrota tällöin akku laitteesta ja lataa akkupaketit tai vaihda akkupaketit täyteen ladattuihin.

## Akun jäljellä olevan varaustason ilmaisain

### Vain akkupaketeille ilmaisimella

► **Kuva17:** 1. Merkkivalot 2. Tarkistuspainike

Painamalla tarkistuspainiketta saat näkyviin akun jäljellä olevan varauksen. Merkkivalot palavat muutaman sekunnin ajan.

Merkkivalot			Akussa jäljellä olevan varaus
 Palaa	 Pois päältä	 Vilkkuu	
			75% - 100%
			50% - 75%
			25% - 50%
			0% - 25%
			Lataa akku.
			Akussa on saatantun ollen toimintahäiriö.
			

**HUOMAA:** Ilmoitettu varaustaso voi erota hieman todellisesta varaustasosta sen mukaan, millaisissa oloissa ja missä lämpötilassa laitetta käytetään.

## Ohjauspaneeli

Ohjauspaneelissa on päävirtakytkin, tilanvaihtopainike ja jäljellä olevan akkuvirran ilmaisain.

► **Kuva18:** 1. Akun merkkivalo 2. Tilanvaihdon merkkivalo 3. Päävirran merkkivalo 4. Tarkistuspainike 5. Tilanvaihtopainike 6. Päävirtakytkin

## Päävirtakytkin

**▲VAROITUS:** Kytke aina päävirtakytkin pois päältä, kun työkalua ei käytetä.

Kun haluat kytkeä laitteen päälle, paina päävirtakytkintä. Päävirran merkkivalo alkaa palaa vihreänä. Kun haluat sammuttaa laitteen, paina päävirtakytkintä uudelleen.

**HUOMAA:** Jos päävirran merkkivalo palaa punaisena tai vilkkuu punaisena tai vihreänä, lue työkalun/akun suojausjärjestelmää koskevat ohjeet.






**HUOMAA:** Tämä laite sisältää automaattisen sammutustoiminnon. Tahattoman käynnistyksen välttämiseksi päävirtakytkin sammuu automaattisesti, kun kytkinvipu on ollut käyttämättä määrätyn aikaa päävirkätkytimen ollessa kytkettynä päälle.

## Tilanvaihtopainike

Tilanvaihtopainiketta painamalla voi vaihtaa laitteen toimintatilaa. Kun laite kytketään päälle, se käynnistyy normaalitytilassa. Kun painat tilanvaihtopainiketta, laite siirtyy energiansäästötilaan ja tilanvaihdon merkkivalo alkaa palaa vihreänä. Energiansäästötilaa käyttämällä voit vaimentaa ruohonleikkuusta aiheutuvia ääniä. Kun painat tilanvaihtopainiketta uudelleen, laite palaa normaalitytilaan.

## Akun jäljellä olevan varaustason ilmaisin

Painamalla tarkistuspainiketta saat näkyviin akun varaustason. Kumpikin akun ilmaisin vastaa yhtä akkua.

Akun tilan merkkivalo		Akussa jäljellä oleva varaus
 Päällä	 Pois päältä	
		50 % – 100 %
		20 % – 50 %
		0 % – 20 %

## Kytkimen käyttäminen

**VAROITUS:** Tarkista aina ennen akkupaketin asentamista työkaluun, että kytkinvipu kytketty oikein ja palaa alkuperäiseen asentoonsa, kun se vapautetaan. Jos työkalua käytetään, vaikka kytkin ei toimi moitteettomasti, seurauksena voi olla vakava henkilövahinko.

**HUOMAA:** Ruohonleikkuri ei käynnisty painamatta katkaisinpainiketta, vaikka kytkinvipua vedetään.

**HUOMAA:** Ruohonleikkuri ei ehkä käynnisty yli-kuormituksen vuoksi, kun yrität leikata pitkää tai tiheää ruohoa liiallisesti. Lisää tässä tapauksessa leikkuukorkeutta.

Tämä leikkuri on varustettu lukituskatkaisimella ja kahvassa olevalla katkaisimella. Jos jommankumman katkaisimen toiminnassa ilmenee jotakin epätavallista, lopeta laitteen käyttö heti ja pyydä valtuutettua Makita-huoltoilijettä tarkastamaan laite.

1. Asenna akkupaketti paikalleen. Työnnä lukitusavain lukituskatkaisimeen ja sulje akun suojus.
  2. Paina päävirkätkintä.
  3. Paina kytkin pohjaan ja pidä painettuna.
  4. Tartu yläkahvaan ja vedä kytkinvipua.
- **Kuva19:** 1. Kytkinpainike 2. Kahvan yläosa 3. Kytkinvipu

**HUOMAA:** Jos lukitusavain ei ole paikallaan, virran merkkivalo vilkkuu vihreänä, kun painat kytkinvipua.

5. Vapauta kytkinpainike heti, kun moottori alkaa pyöriä. Ruohonleikkuri toimii, kunnes vapautat kytkinvipun.
6. Sammuta moottori vapauttamalla kytkinvipua.

## Leikkuusyvyden säätäminen

**VAROITUS:** Älä koskaan työnnä jalkojasi tai käsiäsi ruohonleikkurin rungon alle leikkuukorkeuden säädön aikana.

**VAROITUS:** Varmista aina ennen käyttöä, että vipu sopii uraan.

### Malli DLM460

Leikkuukorkeuden säätöalue on 20 mm – 75 mm.

### Malli DLM461

Leikkuukorkeuden säätöalue on 16 mm – 71 mm.

Poista lukitusavain, vedä sitten leikkuukorkeuden säätövipua ulospäin ruohonleikkurin rungosta ja säädä leikkuukorkeus haluamaksesi.

► **Kuva20:** 1. Leikkuukorkeuden säätövipua

Pidä etukahvaa toisella kädellä ja liukuta sitten leikkuukorkeuden säätövipua toisella kädellä.

► **Kuva21:** 1. Leikkuukorkeuden säätövipua 2. Etukahva

**HUOMAA:** Leikkuukorkeuden arvoja tulee käyttää vain ohjeellisina. Riippuen nurmikon tai maanpinnan kunnosta, todellinen nurmikon korkeus saattaa olla hieman erilainen kuin asetettu korkeus.

**HUOMAA:** Kokeile leikkuukorkeutta ensin nurmikon syrjäisemmässä osassa.

## Kahvakorkeuden säätäminen

**HUOMIO:** Ennen kuin alat irrottaa pultteja, ota tukeva ote kahvan yläosasta. Muutoin kahva voi kaatua ja aiheuttaa vammoja.

Kahvan korkeutta voidaan säätää kolmella tasolla.

1. Avaa kahvan alaosan siipimutterit ja poista sitten pultit, aluslevyt ja siipimutterit.

► **Kuva22:** 1. Siipimutterit 2. Aluslevy 3. Pultti

2. Säädä kahvan korkeutta.

3. Aseta pultit reikiin sisäpuolelta, aseta aluslevyt pultteihin ulkopuolelta ja kiristä lopuksi siipimutterit.

## Levityslaitteen käyttäminen

Levityslaitteella leikatun ruohon voi palauttaa maahan keräämättä sitä ruohosäiliöön. Kun käytät levityslaitetta koneessa, muista irrottaa ruohosäiliö.

## Sähköinen toiminta

Laitte on varustettu sähköisillä toiminnoilla helpokäyttöisyyttä ajatellen.

- Vakionopeuden säätö  
Sähköinen nopeudensäätö vakionopeuden saavuttamiseksi. Kauniin viimeistelyn saavuttaminen on mahdollista, koska pyörimisnopeus pysyy vakiona jopa kuormituksen alla.
- Pehmeä käynnistyminen  
Pehmeän käynnistytksen toiminto minimoi käynnistysiskun käynnistämällä laitteen tasaisesti.

## TYÖSKENTELY

### Ruohonleikkuu

**VAROITUS:** Poista kepit ja kivet leikkuualueelta ennen leikkuun aloittamista. Poista myös rikkaruohot alueelta ennen ruohon leikkaamista.

**VAROITUS:** Käytä sivusuojilla varustettuja suojalaseja aina, kun käytät ruohonleikkuria.

**HUOMIO:** Jos leikattu ruoho tai vierasesineet aiheuttavat tukoksen ruohonleikkurin rungossa, poista lukitusavain ja irrota akkupaketti ennen kuin alat poistaa ruohoa tai vierasesineitä. Käytä käsineitä poiston aikana.

**HUOMAUTUS:** Käytä tätä konetta vain ruohon leikkaamiseen. Älä leikkaa rikkakasveja tällä koneella.

► Kuva23

Pidä kahvasta tukevasti molemmin käsin kiinni leikkuun aikana.

Suosittelut leikkuunopeus on noin 1 metri 4 sekunnissa.

► Kuva24

Etupyörien keskiviivat toimivat leikkuuleveyden oppaana. Käytä keskiviivoja apuna arvioinnissa ja leikkaa kaista kerrallaan. Kun uusi kaista on noin kolmasosasta puoleen väliin limittäin edellisen kaistan kanssa, leikatusta nurmikosta tulee tasainen.

► Kuva25: 1. Leikkuuleveys 2. Limittäinen alue 3. Keskiviiva

Vaihda leikkusuuntaa joka kaistalle, jotta leikkuukuvio ei ole vain yksisuuntainen.

► Kuva26

Tarkista aika ajojen ruohosäiliöstä leikattu ruohomäärä. Tyhjennä ruoho, ennen kuin se on täynnä. Varmista ennen tarkastusta, että ruohonleikkuri on pysäytetty ja lukitusavain ja akkupaketti on irrotettu.

**HUOMAA:** Jos ruohonleikkuria käytetään täysinällä ruohosäiliöllä, terä ei pääse pyörimään esteettä, mikä rasittaa moottoria ja voi vaurioittaa sitä.

## Pitkän ruohon leikkaaminen

Älä yritä leikata pitkäksi kasvanutta nurmikkoa kokonaan yhdellä leikkuukerralla. Leikkaa sen sijaan nurmikkoa vaiheissa. Jätä päivä tai kaksi leikkuukertojen väliin, kunnes nurmikko on tasaisen lyhyt.

► Kuva27

**HUOMAA:** Pitkän ruohon leikkaaminen lyhyeksi yhdellä kerralla voi aiheuttaa ruohon kuoleamisen. Ruoho voi myös tukkia ruohonleikkurin rungon sisäpuolella.

## Ruohosäiliön tyhjentäminen

**VAROITUS:** Onnettomuusriskin pienentämiseksi ruohosäiliön kuntoa tulee valvoa jatkuvasti ja vaurioitunut tai heikentynyt säiliö on tarvittaessa vaihdettava. Vaihda ruohosäiliö tarvittaessa.

1. Vapauta kytkinvipu.
  2. Irrota lukitusavain.
  3. Avaa takakansi, tartu ruohosäiliön kahvaan ja vedä se irti kahvasta.
- Kuva28: 1. Takakansi 2. Kahva 3. Ruohosäiliö
4. Tyhjennä ruohosäiliö.

## KUNNOSSAPITO

**VAROITUS:** Varmista aina ennen ruohonleikkurin varastoimista tai kantamista tai sen tarkastus- tai huoltotoimien aloittamista, että lukitusavain ja akkupaketti on irrotettu ruohonleikkurista.

**VAROITUS:** Poista aina lukitusavain, kun leikkuri ei ole käytössä. Säilytä lukitusavainta turvallisessa paikassa lasten ulottumattomissa.

**VAROITUS:** Käytä käsineitä tarkastuksen ja huollon aikana.

**VAROITUS:** Käytä sivusuojilla varustettuja suojalaseja aina, kun käytät teet tarkastus- tai huoltotoimia.

**HUOMAUTUS:** Älä koskaan käytä bensiiniä, ohenteita, alkoholia tai tms. aineita. Muutoin pinta voi halkeilla tai sen värit ja muoto voivat muuttua. Muutoin laitteeseen voi tulla värjäytymiä, muodon vääristymiä tai halkeamia.

Tuotteen TURVALLISUUDEN ja LUOTETTAVUUDEN takaamiseksi korjaukset, muut huoltotyöt ja säädöt on teetettävä Makitan valtuutetussa huoltopisteessä Makitan varaosia käyttäen.

## Huolto

1. Poista lukitusavain ja irrota akkupaketit ja sulje sitten akun suojakansi.
2. Käännä ruohonleikkuri kyljelleen ja puhdista ruohonleikkurin kotelon pohjaan kerääntynyt ruohosilppu.
3. Kaada vettä laitteen pohjaa eli terän kiinnityskoh-  
taa kohti.

**HUOMAUTUS:** Älä pese laitetta korkeapainei-  
sella vesisuihkulla.

4. Tarkista kaikkien mutterien, pulttien, nappien, ruuvien, kiinnikkeiden ym. kireys.
5. Tarkista, etteivät liikkuvat osat ole vaurioiden, mur-  
tumien tai kulumien varalta. Vaurioituneet tai puuttuvat  
osat tulee korjata tai vaihtaa.
6. Varastoi ruohonleikkuri turvalliseen paikkaan  
lasten ulottumattomiin.

## Ruohonleikkurin kantaminen

Ruohonleikkuria tulee kantaa niin, että toinen henkilö  
pitää kiinni etukahvasta ja toinen kahvan alaosasta  
kuvan mukaisesti.

► **Kuva29:** 1. Kahvan alaosa 2. Etukahva

## Säilytys

Säilytä ruohonleikkuria sisätiloissa viileässä, kuivassa  
ja lukitussa paikassa. Älä säilytä työkalua ja laturia  
paikassa, jossa lämpötila voi nousta yli 40 °C:een tai  
sitä korkeammaksi.

1. Avaa takakansi, tartu ruohosäiliön kahvaan ja  
vedä se irti kahvasta.
- **Kuva30:** 1. Takakansi 2. Kahva 3. Ruohosäiliö
2. Löysää siipimuttereita ja taita kahvan yläosa.
- **Kuva31:** 1. Yläkahva 2. Siipimutteri

## Ruohonleikkuterän irrotus ja asentaminen

**VAROITUS:** Irrota lukitusavain ja akku aina  
ennen terän irrottamista ja asentamista. Jos  
lukitusavainta ja akkupakettia ei irroteta, seurauk-  
sena voi olla vakavia vammoja.

**VAROITUS:** Terä pyörii vielä muutaman  
sekunnin ajan kytkimen vapauttamisen jälkeen.  
Älä aloita mitään toimenpidettä, ennen kuin terä  
on täysin pysähtynyt.

**VAROITUS:** Käytä aina suojakäsineitä, kun  
käsittelet terää.

## Ruohonleikkurin terän irrottaminen

### Malli DLM460

1. Käännä ruohonleikkuri kyljelleen siten, että leik-  
kuukorkeuden säätövipu tulee yläpuolelle.
2. Lukitse terä paikalleen asettamalla puunkappale  
tai vastaava ruohonleikkuriin.
3. Kierrä pulttia vastapäivään kiintoavaimella.  
► **Kuva32:** 1. Ruohonleikkurin terä 2. Kiintoavain  
3. Puunkappale
4. Irrota järjestyksessä pultti, aluslevy ja ruohonleik-  
kurin terä.  
► **Kuva33:** 1. Ruohonleikkurin terä 2. Aluslevy  
3. Pultti

### Malli DLM461

1. Käännä ruohonleikkuri kyljelleen siten, että leik-  
kuukorkeuden säätövipu tulee yläpuolelle.
2. Käännä pulttia vastapäivään avaimella ja pidä  
samalla pohjalevyä paikallaan.  
► **Kuva34:** 1. Kiintoavain 2. Pohjalevy
3. Irrota järjestyksessä pultti, aluslevy ja pohjalevy.  
► **Kuva35:** 1. Pohjalevy 2. Aluslevy 3. Pultti
4. Irrota yksittäinen terä kääntämällä pulttia vas-  
tapäivään avaimella ja pitämällä samalla pohjalevyä  
paikallaan.  
► **Kuva36:** 1. Pohjalevy 2. Ruohonleikkurin terä  
3. Kiintoavain

## Ruohonleikkurin terän kiinnittäminen

Ruohonleikkuterä asennetaan päinvastaisessa  
järjestyksessä.

**VAROITUS:** Asenna terä huolellisesti. Siinä  
on ylä-/alapuoli. Asenna terä siten, että terän  
pyörimissuuntanuoli osoittaa ulospäin.

**VAROITUS:** Kiinnitä sitten terä paikalleen  
kiristämällä mutteri tiukasti myötäpäivään  
kiertäen.

**VAROITUS:** Varmista, että terä ja kaikki kiinni-  
tysosat on asennettu oikein ja kunnolla kiristetty.

**VAROITUS:** Kun vaihdat teriä, noudata aina  
tämän oppaan ohjeita.

### Malli DLM461

**HUOMAUTUS:** Kun kiinnität ruohonleikkurin  
terää, liu'uta se paikalleen kuvan mukaisesti niin,  
että ulkonemat koskettavat ruohonleikkurin terää.

► **Kuva37:** 1. Ulkonema 2. Ruohonleikkurin terä

# VIANMÄÄRITYS

Tarkista laite ensin itse, ennen kuin viet sen korjattavaksi. Jos ongelmaan ei löydy ratkaisua käyttöoppaasta, älä kuitenkaan yritä purkaa työkalua osiin. Vie ota sen sijaan yhteyttä Makita-huoltoiliikkeeseen. Käytä korjaamiseen aina alkuperäisiä Makita-varaosia.

Epänormaali tila	Todennäköinen syy (toimintahäiriö)	Korjaus
Ruohonleikkuri ei käynnisty.	Kahta akkupakettia ei ole asennettu.	Asenna ladatut akkupaketit paikalleen.
	Akkuongelma (alijännite)	Lataa akkupaketti. Jos lataaminen ei toimi tehokkaasti, vaihda akkupakettia.
	Lukitusavain ei ole paikallaan.	Laita lukitusavain paikalleen.
Moottori pysähtyy lyhyen käytön jälkeen.	Akun varaustila on alhainen.	Lataa akkupaketti. Jos lataaminen ei toimi tehokkaasti, vaihda akkupakettia.
	Leikkuukorkeus on liian alhainen.	Nosta leikkuukorkeutta.
Moottori ei saavuta suurinta kierroslukua.	Akkupaketti on asennettu väärin.	Asenna akkupaketti tämän käyttöohjeen ohjeiden mukaan.
	Akun teho laskee.	Lataa akkupaketti. Jos lataaminen ei toimi tehokkaasti, vaihda akkupakettia.
	Vetojärjestelmä ei toimi oikein.	Pyydä valtuutettua huoltoiliikettäsi korjaamaan laite.
Leikkuutyökalu ei pyöri: ⇒ pysäytä ruohonleikkuri välittömästi!	Vieras esine, esimerkiksi oksa, on juuttunut lähelle terää.	Poista vieras esine.
	Vetojärjestelmä ei toimi oikein.	Pyydä valtuutettua huoltoiliikettäsi korjaamaan laite.
Epänormaali terinä: ⇒ pysäytä ruohonleikkuri välittömästi!	Terä on epätasapainossa, liiallisesti tai epätasaisesti kulunut.	Vaihda terä.

## LISÄVARUSTEET

**⚠HUOMIO:** Seuraavia lisävarusteita tai laitteita suositellaan käytettäväksi tässä ohjeessa kuvatun Makita-työkalun kanssa. Muiden lisävarusteiden tai laitteiden käyttö voi aiheuttaa henkilövahinkoja. Käytä lisävarusteita ja -laitteita vain niiden käyttötarkoituksen mukaisesti.

Jos tarvitset apua tai yksityiskohtaisempia tietoja seuraavista lisävarusteista, ota yhteys paikalliseen Makitan huoltoon.

- Ruohonleikkurin terä
- Aito Makita-akku ja -laturi

**HUOMAA:** Jotkin luettelossa mainitut varusteet voivat sisältyä työkalun toimitukseen vakiovarusteina. Ne voivat vaihdella maittain.



## SPECIFIKĀCIJAS

Modelis:		DLM460	DLM461
Plaušanas platums (asmens diametrs)		460 mm	
Ātrums bez slodzes		2 500 min <sup>-1</sup>	
Maksimālais ātrums		3 300 min <sup>-1</sup>	
Rezerves plaujumašinas asmens daļas numurs		199367-2	199368-0
Izmēri (G × P × A)	ekspluatācijas laikā	G: no 1 319 mm līdz 1 518 mm P: 532 mm A: no 879 mm līdz 1 138 mm	
	glabāšanas laikā (bez zāles groza)	G: no 1 004 mm līdz 1 125 mm P: 532 mm A: no 533 mm līdz 713 mm	
Nominālais spriegums		Līdzstrāva 36 V	
Neto svars		25,3 - 27,6 kg	26,6 – 28,4 kg
Aizsardzības pakāpe		IPX4	

- Nepārtrauktās izpētes un izstrādes programmas dēļ šeit uzrādītās specifikācijas var tikt mainītas bez brīdinājuma.
- Specifikācijas un akumulatora kasetne var atšķirties dažādās valstīs.
- Svārs var būt atšķirīgs atkarībā no papildierīces (-ēm), tostarp akumulatora kasetnes. Tabulā ir attēlota vieglākā un smagākā kombinācija atbilstoši EPTA procedūrai 01/2014.

### Piemērotā akumulatora kasetne

BL1815N / BL1820 / BL1820B / BL1830 / BL1830B / BL1840 / BL1840B / BL1850 / BL1850B / BL1860B

- Dažas no iepriekš norādītajām akumulatora kasetnēm var nebūt pieejamas atkarībā no jūsu mītnes reģiona.

**BRĪDINĀJUMS:** Izmantojiet vienīgi iepriekš norādītās akumulatora kasetnes. Cita tipa akumulatora kasetņu izmantošana var radīt traumu un/vai aizdegšanās risku.

### Simboli

Zemāk ir attēloti simboli, kas attiecas uz iekārtu. Pirms darbarīka izmantošanas pārliecinieties, vai pareizi izprotat to nozīmi.

	Esiet īpaši rūpīgs un uzmanīgs.
	Izlasiet lietošanas rokasgrāmatu.
	Bīstami! Sargieties no izvīstiem priekšmetiem.
	Attālumam starp darbarīku un apkārtējiem jābūt vismaz 15 m.
	Netuviniet rokas un kājas asmeņiem zem plaujumašinas. Asmeņi turpina griezties arī pēc motora izslēgšanas.
	Pirms plaujumašinas pārbaudes, regulēšanas, tīrīšanas, apkopes, atstāšanas bez uzraudzības un uzglabāšanas izņemiet bloķēšanas atslēgu.



Tikai ES valstīm  
Neizmetiet elektroiekārtas vai akumulatoru mājaisaimniecības atkritumos!  
Saskaņā ar Eiropas direktīvu par elektrisko un elektronisko iekārtu atkritumiem, kā arī par baterijām un akumulatoriem, un bateriju un akumulatoru atkritumiem un to īstenošanu saskaņā ar valsts likumdošanu lietotais elektriskais aprīkojums, baterijas un akumulators kalpošanas laika beigās jāsavāc atsevišķi un jānogādā otrreizējai pārstrādei vidi saudzējošā veidā.

### Paredzētā lietošana

Ierīce paredzēta mauriņa plaušanai.

### Trokšņa līmenis

Tipiskais A svērtais trokšņa līmenis noteikts saskaņā ar EN60335-2-77:

#### Modelis DLM460

Skaņas spiediena līmeni ( $L_{pA}$ ): 79 dB (A)

Skaņas jaudas līmeni ( $L_{WA}$ ): 91 dB (A)

Mainīgums (K): 3,4 dB (A)

Darbības laikā trokšņa līmenis var pārsniegt 80 dB (A).

**PIEZĪME:** Paziņotā trokšņa emisijas vērtība noteikta atbilstoši standarta pārbaudes metodei, un to var izmantot, lai salīdzinātu vienu darbarīku ar citu.

**PIEZĪME:** Paziņoto trokšņa emisijas vērtību arī var izmantot iedarbības sākotnējā novērtējumā.

**▲BRĪDINĀJUMS:** Lietojiet ausu aizsargus.

**▲BRĪDINĀJUMS:** Trokšņa emisija patiesos darba apstākļos var atšķirties no paziņotās vērtības atkarībā no darbarīka izmantošanas veida un jo īpaši atkarībā no apstrādājamā materiāla veida.

**▲BRĪDINĀJUMS:** Lai aizsargātu lietotāju, nosakiet drošības pasākumus, kas pamatoti ar iedarbību reālos darba apstākļos (ņemot vērā visus ekspluatācijas cikla posmus, piemēram, laiku, kamēr darbarīks ir izslēgts un kad darbojas tukšgaitā, kā arī palaides laiku).

## Vibrācija

Vibrācijas kopējā vērtība (trīsasu vektora summa) noteikta atbilstoši EN60335-2-77:

**Modelis DLM460**

Vibrācijas izmēte ( $a_h$ ): 2,5 m/s<sup>2</sup> vai mazāk

Mainīgums (K): 1,5 m/s<sup>2</sup>

**PIEZĪME:** Paziņotā kopējā vibrācijas vērtība noteikta atbilstoši standarta pārbaudes metodei, un to var izmantot, lai salīdzinātu vienu darbarīku ar citu.

**PIEZĪME:** Paziņoto kopējo vibrācijas vērtību arī var izmantot iedarbības sākotnējā novērtējumā.

**▲BRĪDINĀJUMS:** Vibrācijas emisija patiesos darba apstākļos var atšķirties no paziņotās vērtības atkarībā no darbarīka izmantošanas veida un jo īpaši atkarībā no apstrādājamā materiāla veida.

**▲BRĪDINĀJUMS:** Lai aizsargātu lietotāju, nosakiet drošības pasākumus, kas pamatoti ar iedarbību reālos darba apstākļos (ņemot vērā visus ekspluatācijas cikla posmus, piemēram, laiku, kamēr darbarīks ir izslēgts un kad darbojas tukšgaitā, kā arī palaides laiku).

## EK atbilstības deklarācija

*Tikai Eiropas valstīm*

EK atbilstības deklarācija šajā lietošanas rokasgrāmatā ir iekļauta kā A pielikums.

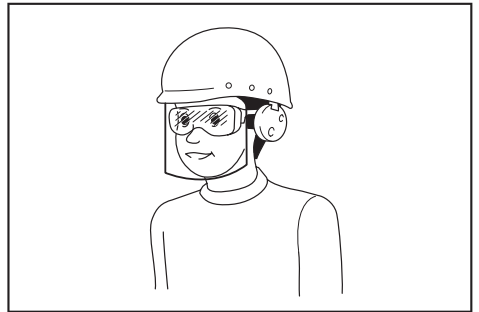
## DROŠĪBAS BRĪDINĀJUMI

### Zāles plaujmašīnas drošības norādījumi

**▲BRĪDINĀJUMS:** Izlasiet visus drošības brīdinājumus un visus norādījumus. Brīdinājumu un norādījumu neievērošanas gadījumā var rasties elektriskās strāvas trieciens, ugunsgrēks un/vai nopietnas traumas.

## Glabājiet visus brīdinājumus un norādījumus, lai varētu tajos ieskatīties turpmāk.

1. Neievietojiet atslēgu plaujmašīnā, ja tā nav gatava izmantošanai.
2. Bērni ir jāuzrauga, lai tie nerotajātos ar plaujmašīnu.
3. Nekādā gadījumā nepieļaujiet, ka zāles plaujmašīnu izmanto bērni vai cilvēki, kas nepazīna šos norādījumus plaujmašīnas izmantošanai. Vietējie noteikumi var ierobežot lietotāja vecumu.
4. Nekādā gadījumā nestrādājiet ar plaujmašīnu, ja tuvumā ir cilvēki (īpaši bērni) vai dzīvnieki.
5. Ņemiet vērā, ka operators vai lietotājs ir atbildīgs par negadījumiem vai apdraudējumu, kas radīts citiem cilvēkiem vai to īpašumam.
6. Izmantojot plaujmašīnu, vienmēr valkājiet izturīgus apavus un garās bikses. Nelietojiet plaujmašīnu, ja kājas ir basas vai valkājat atvērtas sandales. Nevalkājiet apģērbu vai rotaslietas, kas ir vaļīgas vai kam ir auklas vai saites. Tās var iekerties kustīgajās daļās.
7. Kad izmantojat mehāniskos darbarīkus, vienmēr valkājiet aizsargbrilles, lai pasargātu acis. Aizsargbrillēm jāatbilst šādiem standartiem: ANSI Z87.1 ASV, EN 166 Eiropā un AS/NZS 1336 Austrālijā/Jaunzēlandē. Austrālijā/Jaunzēlandē ar likumu noteikts, ka darba laikā jāizmanto arī sejsargs.



Darba devējam ir jānodrošina tas, lai darbarīka operatori un citas tiešajā darba vietā esošās personas izmantotu vajadzīgo aizsargaprīkojumu.

8. Plaujmašīnu izmantojiet tikai dienas gaismā vai labā maksīgajā apgaismojumā.
9. Nelietojiet plaujmašīnu mitrā zālē.
10. Bezvada darbarīka lietošana un apkope - Uzlādei izmantojiet tikai ražotāja norādītos lādētājus. Vienam akumulatora kasetnes tipam paredzēta lādētāja izmantošana cita tipa akumulatora kasetnes uzlādei var radīt ugunsgrēka bīstamību.  
- Izmantojiet mehanizētos darbarīkus tikai ar paredzētajām akumulatora kasetnēm. Jebkura cita tipa akumulatora kasetņu izmantošana var radīt traumu vai aizdegšanās bīstamību.

- Ja akumulatora kasetne netiek izmantota, neļaujiet tai saskarties ar metāla izstrādājumiem, piemēram, saspraudēm, monētām, atslēgām, naglām, skrūvēm un tamlīdzīgiem priekšmetiem, kas var savienot abas spailes. Akumulatora spaiļu īssavienojums var izraisīt apdegumus vai aizdegšanos.
  - Nepareizas lietošanas gadījumā no akumulatora var iztect šķidrums; nepieskarieties tam. Ja nejauši pieskārties šķidrumam, skarto vietu noskalojiet ar ūdeni. Ja šķidrums nokļūst acīs, papildus iepriekš minētajam, vēršieties pie ārsta. No akumulatora iztečušais šķidrums var izraisīt kairinājumu vai apdegumus.
  - Neatbrīvojieties no akumulatora(-iem), metot to/tos ugunī. Tas var eksplodēt. Skatiet attiecīgos valsts noteikumus, lai uzzinātu īpašus norādījumus izmešanai atkritumos.
  - Akumulatoru(-us) nedrīkst atvērt vai sabojāt. Iztečušais elektrolīts ir kodīgs un var nodarīt kaitējumu acīm vai ādai. Norijot tas var būt toksisks.
  - Nelādējiet akumulatoru lietū vai mitrās vietās.
11. Rokuri vienmēr turiet cieši.
  12. Strādājot nogāzē, pārliecinieties, ka atbalsts kājām ir stabils.
  13. Pārvietojieties staigājot, nevis skrienot.
  14. Paceļot vai turot plaujmašīnu, nesatveriet to aiz asmeņiem.
  15. Fiziskais stāvoklis — nedarbiniet plaujmašīnu, ja esat narkotiku, alkohola vai zāļu ietekmē.
  16. Rokas un kājas netuviniet rotējošiem asmeņiem. Uzmaniību! Asmeņi turpina griezties arī pēc plaujmašīnas izslēgšanas.
  17. Izmantojiet tikai šajā rokasgrāmatā norādītos ražotāja oriģinālos asmeņus.
  18. Pirms ekspluatācijas rūpīgi pārbaudiet, vai asmeņiem vai asmeņu bulskrūvēm nav plaisu vai bojājumu. Iepļaisājušus vai bojātus asmeņus vai asmeņu bulskrūves nekavējoties nomainiet.
  19. Pirms plaušanas pārbaudiet, vai darba zonā nav citu cilvēku. Apturiet plaujmašīnu, ja kāds ienāk darba zonā.
  20. Pirms plaušanas atīriet darba zonu no svešķermeņiem, piemēram, akmeņiem, stieplēm, pudelēm, kauliem un lieliem zariem, lai nevienu netraumētu un nesabojātu plaujmašīnu.
  21. Ja novērojāt ko neparastu, nekavējoties pārtrauciet plaujmašīnas lietošanu. Izslēdziet plaujmašīnu un izņemiet atslēgu. Pēc tam pārbaudiet plaujmašīnu.
  22. Ja plaujmašīnai ir griešanas augstuma regulēšanas funkcija, nekad nemēģiniet regulēt griešanas augstumu, kamēr plaujmašīna darbojas.
  23. Pirms piebraucamo ceļu, taku, ceļu un ar granti klātu vietu šķērsošanas atļaidiet slēdža sviru un ļaujiet asmeņim apstāties. Izņemiet arī atslēgu, ja atstājat plaujmašīnu, sniedzaties kaut ko pacelt vai cenšaties noņemt kādu šķērslī, kā arī citu apstākļu gadījumā, kas neļauj pilnībā koncentrēties veicamajam darbam.
  24. Plaujmašīnas asmens aizkerti priekšmeti var izraisīt smagas traumas. Pirms plaušanas vienmēr rūpīgi pārbaudiet, vai zālienā nav svešķermeņu.
  25. Ja plaujmašīna trāpa kādam objektam, rīkojieties šādi:
    - Apturiet plaujmašīnu, atļaidiet slēdža sviru un uzgaidiet, līdz asmens pilnībā apstājas.
    - Izņemiet atslēgu un akumulatora kasetni.
    - Rūpīgi pārbaudiet, vai plaujmašīnai nav bojājumu.
    - Nomainiet asmeni, ja tas ir bojāts. Bojājumu novērsiet pirms plaujmašīnas atkārtotas iedarbināšanas un turpināšanas.
  26. Regulāri pārbaudiet, vai zāles grozs nav nodilis vai nolietojies. Kad ierīci liekat glabāšanā, pārbaudiet, vai zāles grozs ir tukšs. Nodilušu zāles grozu drošības nolūkā nomainiet pret jaunu rūpnīcas rezerves grozu.
  27. Īpaši uzmanieties, strādājot atpakaļgaitā vai velkot plaujmašīnu pie sevis.
  28. Apturiet asmeni(-ņus), ja plaujmašīna ir jāsasver, pārvietojot vai šķērsojot virsmu, kas nav zāle, kā arī pārvietojot plaujmašīnu uz plaušanas vietu un no tās.
  29. Nekādā gadījumā nelietojiet plaujmašīnu, ja bojāti tās aizsargi vai vairogi vai ja nav uzstādītas drošības ierīces, piemēram, deflektori un/ vai zāles grozs.
  30. Plaujmašīnu iedarbiniet uzmanīgi saskaņā ar norādījumiem un netuvinot pēdas asmeņim(-ņiem).
  31. Ieslēdzot motoru, nesasveriet plaujmašīnu, ja vien tā nav jāsasver, lai iedarbinātu. Šādā gadījumā sasveriet to ne vairāk par nepieciešamo leņķi un paceliet tikai no operatora tālāko daļu.
  32. Neiedarbiniet plaujmašīnu, ja stāvat pretī izvades atvēruram.
  33. Plaukstas vai pēdas nelieciet rotējošo detaļu tuvumā vai zem tām. Nekad nestāviet izvades atvēruma tuvumā.
  34. Netransportējiet plaujmašīnu, ja tā ir ieslēgta.
  35. Apturiet plaujmašīnu un noņemiet atspējošanas ierīci. Pārbaudiet, vai visas kustīgās daļas ir pilnībā apstājušās
    - ja atstājat plaujmašīnu bez uzraudzības;
    - pirms nosprostojumu tīrīšanas vai izlaides teknes tīrīšanas;
    - pirms plaujmašīnas pārbaudīšanas, tīrīšanas vai remontēšanas;
    - pēc atsišanās pret svešķermeni. Pārbaudiet, vai plaujmašīnai nav bojājumu; remontu veiciet pirms plaujmašīnas atkārtotas iedarbināšanas un lietošanas.
  36. Ja plaujmašīna sāk neparasti vibrēt (nekavējoties pārbaudiet)
    - pārbaudiet, vai nav bojājumu;
    - nomainiet vai saremontējiet bojātas daļas;
    - pārbaudiet un pieskrūvējiet vaļīgas detaļas.
  37. Uzmanieties, regulējot plaujmašīnu, lai pirksti neiesprūstu starp ierīces kustīgajiem asmeņiem un fiksētajām daļām.
  38. Plaujiet slīpi pāri nogāzei, nekad nepļaujiet uz augšu vai uz leju. Mainot virzienu nogāzēs, uzmanieties īpaši. Nepļaujiet pārāk stāvas nogāzēs.
  39. Bieži pārbaudiet, vai stiprinājuma skrūve pievilkta pietiekami cieši.
  40. Visus uzgriežņus, bulskrūves un skrūves uzturiet cieši pievilktus, lai aprīkojums aizvien būtu drošā darba stāvoklī.

41. Pirms novietošanas glabātavā ļaujiet pļaujmašīnai atdzist.
42. Veicot asmeņu apkopi, ņemiet vērā, ka, lai gan barošanas avots ir izslēgts, asmeņus joprojām var pārvietot.
43. Drošības nolūkā nomainiet nodilušas vai nolietotas daļas. Izmantojiet tikai oriģinālās rezerves daļas un piederumus.
44. Nelietojiet ierīci apstākļos, kad iespējams zibens.
45. Izmantojot ierīci dubļainā vietā, uz mitras sļīpas virsmas vai slidenā vietā, raugieties, lai kājām būtu stabils atbalsts.
46. Centieties nestrādāt grūti apstrādājamā vidē, kur var ātri nogurt.
47. Neizmantojiet pļaujmašīnu sliktos laikaapstākļos, kad ir ierobežota redzamība. Pretējā gadījumā iespējams nokrišanas risks vai nepareiza ekspluatācija sliktas redzamības dēļ.
48. Neveiciet akumulatora nomaiņu lietū.
49. Negremdējiet ierīci peļķē.
50. Lietus laikā neatstājiet pļaujmašīnu ārpus telpām bez uzraudzības.
51. Neievietojiet vai neizņemiet atslēgu lietus laikā.
52. Ja lietus dēļ pie sūkšanas atveres (ventilācijas atveres) pielīp slapjas lapas vai dubļi, noņemiet tos.
53. Nemazgājiet ierīci ar augstspiediena ūdens strūklu.
54. Mazgājot ierīci, raugieties, lai akumulators un atslēga ir izņemti un lai akumulatora vāks ir aizvērts, un ūdeni lejiet virzienā uz ierīces apakšpusi, kur ir piestiprināts asmens.
55. Novietojot ierīci glabāšanai, izvairieties no tiešiem saules stariem un lietus un novietojiet to vietā, kur nekļūst karsts vai mitrs.
56. Pārbaudes un apkopes darbus veiciet vietā, kur iespējams izvairīties no lietus.
57. Pēc pļaujmašīnas lietošanas notīriet netīrumus, pilnībā nožāvējiet pļaujmašīnu un tikai tad novietojiet to glabāšanā. Atkarībā no sezonas vai apgabala pastāv darbības traucējumu risks sasaldēšanas dēļ.
58. Nesamitriniet izvadu vai akumulatoru ar šķidrumu, piemēram, ūdeni, vai neiegremdējiet akumulatoru. Neatstājiet akumulatoru lietū, kā arī nelādējiet, neizmantojiet vai neglabājiet akumulatoru mitrā vai slapjā vietā. Ja izvads kļūst mitrs vai akumulatorā iekļūst šķidrums, akumulatorā var rasties isslēgums un pastāv pārkaršanas, aizdegšanās vai sprādziena risks.
59. Pēc akumulatora izņemšanas no ierīces vai lādētāja raugieties, lai akumulatora vāks tiek piestiprināts pie akumulatora, un glabājat to sausā vietā.
60. Nemainiet akumulatoru ar mitrām rokām.
61. Neizmantojiet ierīci sniegā.
62. Ja nogrieztā zāle ir mitra, tā, visticamāk, aizsprostos ierīces iekšpusi. Regulāri pārbaudiet ierīces stāvokli un, ja nepieciešams, noņemiet pielīpušo zāli.

## SAGLABĀJIET ŠOS NORĀDĪJUMUS.

**▲BRĪDINĀJUMS:** NEPIELĀUJIET to, ka labu iemaņu un izstrādājuma labas pārziņāšanas (darbarīku atkārtoti ekspluatējot) rezultātā vairs stingri neievērojāt šī izstrādājuma drošības noteikumus.

**NEPAREIZI LIETOJOT** darbarīku vai neievērojot šajā instrukciju rokasgrāmatā minētos drošības noteikumus, var tikt gūtas smagas traumas.

## Svarīgi drošības norādījumi par akumulatora kasetni

1. Pirms akumulatora lietošanas izlasiet visus norādījumus un brīdinājumus, kuri attiecas uz (1) akumulatora lādētāju, (2) akumulatoru un (3) ierīci, kurā tiek izmantots akumulators.
2. Neizjauciet akumulatoru.
3. Ja akumulatora darbības laiks kļūva ievērojami īsāks, nekavējoties pārtrauciet to izmantot. Citādi, tas var izraisīt pārkarsējumu, uzliesmojumu vai pat sprādzienu.
4. Ja elektrolīts nonāk acīs, izskalojiet tās ar tīru ūdens un nekavējoties griezties pie ārsta. Tas var izraisīt redzes zaudēšanu.
5. Neradiet issavienojumu akumulatora kasetnē:
  - (1) Nepieskarieties spaiļiem ar elektrību vadošiem materiāliem.
  - (2) Neuzglabājiet akumulatoru kasetni kopā ar citiem metāla priekšmetiem, tādiem kā naglas, monētas u. c.
  - (3) Nepakļaujiet akumulatora kasetni ūdens vai lietus iedarbībai.
 Akumulatora īssavienojums var radīt spēcīgu strāvas plūsmu, pārkaršanu, uzliesmojumu un pat sabojāt akumulatoru.
6. Neglabājiet darbarīku un akumulatora kasetni vietās, kur temperatūra var sasniegt vai pārsniegt 50 °C (122 °F).
7. Nededziniet akumulatora kasetni, pat ja tā ir stipri bojāta vai pilnībā nolietota. Akumulatora kasetne ugunī var eksplodēt.
8. Uzmanieties, lai neļautu akumulatoram nokrist un nepakļautu to sitienam.
9. Neizmantojiet bojātu akumulatoru.
10. Uz izmantotajiem litija jonu akumulatoriem attiecas likumdošanas prasības par bīstamiem izstrādājumiem. Komerciālā transportēšanā, ko veic, piemēram, trešās puses, transporta uzņēmumi, jāievēro uz iesaiņojuma un marķējuma norādītās īpašās prasības. Lai izstrādājumu sagatavotu nosūtīšanai, jāsaazinās ar bīstamo materiālu speciālistu. Ievērojiet arī citās attiecināmos valsts normatīvus. Valjejus kontaktus nosedziet ar līmlenti vai citādi pārklājiet, bet akumulatoru iesaiņojiet tā, lai sāni tas nevarētu izkustēties.
11. Ievērojiet vietējos noteikumus par akumulatora likvidēšanu.
12. Izmantojiet šos akumulatorus tikai ar izstrādājumiem, kurus norādījis Makita. Ievietojot šos akumulatorus nesaderīgos izstrādājumos, var rasties ugunsgrēks, pārmērīgs karstums, tie var uzsprāgt vai no tiem var iztecēt elektrolīts.

## SAGLABĀJIET ŠOS NORĀDĪJUMUS.

**⚠UZMANĪBU:** Lietojiet tikai oriģinālos Makita akumulatorus. Ja lietojat neoriģinālus Makita akumulatorus vai pārveidotus akumulatorus, tie var uzsprāgt un izraisīt aizdegšanos, traumas un materiālos zaudējumus. Tikš anulēta arī Makita darbarīka un lādētāja garantija.

## Ieteikumi akumulatora kalpošanas laika pagarināšanai

1. Uzlādējiet akumulatora kasetni, pirms tā ir pilnībā izlādējusies. Vienmēr, kad ievērojāt, ka darbarīka darba jauda zudusi, apturiet darbarīku un uzlādējiet akumulatora kasetni.
2. Nekad neuzlādējiet pilnībā uzlādētu akumulatora kasetni. Pārmērīga uzlāde saīsina akumulatora kalpošanas laiku.
3. Uzlādējiet akumulatora kasetni istabas temperatūrā 10 °C - 40 °C. Karstai akumulatora kasetnei pirms uzlādes ļaujiet atdzist.
4. Uzlādējiet litiņa jonu akumulatora kasetni, ja to ilgstoši nelietosit (vairāk nekā sešus mēnešus).

## MONTĀŽA

**⚠BRĪDINĀJUMS:** Pirms darbošanās ap plaujmašīnu vienmēr pārbaudiet, vai bloķēšanas atslēga un akumulatora kasetne ir izņemta. Ja bloķēšanas atslēgu un akumulatora kasetni neizņem, tad, plaujmašīnai nejaūsi ieslēdzoties, var gūt smagas traumas.

**⚠BRĪDINĀJUMS:** Nekādā gadījumā neiedarbiniet plaujmašīnu, ja tā nav pilnībā samontēta. Daļēji samontēta darbarīka nejaūša iedarbināšana var radīt smagas traumas.

## Roktura uzstādīšana

**IEVĒRĪBAI:** Uzstādot rokturus, vadus novietojiet tā, lai tie nevarētu iekļerties starp rokturiem. Ja vads ir bojāts, plaujmašīnas slēdzis var nedarboties.

1. Uzstādiēt apakšējo rokturi tā, lai roktura atveres iegultos plaujmašīnas korpusa izciļņos. Ievietojiet bultskrūves no iekšpuses, tad piestipriniet starplika A no ārpusē un tad pievelciet spārnuzgriežņus.  
▶ **Att.1:** 1. Apakšējais rokturis 2. Starplika A  
3. Spārnuzgrieznis 4. Izcilnis 5. Atvere 6. Bultskrūve
2. Novietojiet atveri apakšējā rokturī pretī atverei augšējā rokturī, ievietojiet bultskrūves no iekšpuses un tad pielieciet starplika B no ārpusē, beigās pievelciet spārnuzgriežņus.  
▶ **Att.2:** 1. Augšējais rokturis 2. Atvere 3. Starplika B 4. Spārnuzgrieznis 5. Apakšējais rokturis 6. Bultskrūve

**⚠UZMANĪBU:** Turiet augšējo rokturi stingri, lai tas neizkrīt no rokas. Citādi rokturis var nokrist un izraisīt traumu.

3. Pievienojiet rokturim turētāju A un turētāju B. Novietojiet kabeļus, kā parādīts attēlā.

▶ **Att.3:** 1. Kabelis 2. Turētājs A 3. Turētājs B

**PIEZĪME:** Pievienojot turētāju A, raugieties, lai kabelis ar turētāju tiek nostiprināts, kā attēlots.

## Mulčēšanas palīgierces noņemšana

**Paredzēts modelim DLM460**

1. Atveriet aizmugurējo pārsegu.

▶ **Att.4:** 1. Aizmugurējais pārsegs

2. Turot sviru uz leju, noņemiet mulčēšanas palīgierci.

▶ **Att.5:** 1. Svira 2. Mulčēšanas palīgierce

**Paredzēts modelim DLM461**

1. Atveriet aizmugurējo pārsegu.

▶ **Att.6:** 1. Aizmugurējais pārsegs

2. Velkot sviru, noņemiet mulčēšanas palīgierci.

▶ **Att.7:** 1. Mulčēšanas palīgierce 2. Svira

## Zāles groza uzstādīšana

1. Atveriet aizmugurējo pārsegu.

▶ **Att.8:** 1. Aizmugurējais pārsegs

2. Pieāķējiet zāles groza plaujmašīnas korpusa stienim, kā attēlots.

▶ **Att.9:** 1. Stienis 2. Aizsargs 3. Zāles grozs

**IEVĒRĪBAI:** Raugieties, lai aizsargs uz zāles groza ir vērsts uz leju. Pretējā gadījumā zāles grozs var neuztvert visu nogriezto zāli.

## Mulčēšanas palīgierces piestiprināšana

**Paredzēts modelim DLM460**

1. Atveriet aizmugurējo pārsegu un izņemiet zāles grozu.

▶ **Att.10:** 1. Aizmugurējais pārsegs 2. Zāles grozs

2. Piestipriniet mulčēšanas palīgierci, turot nospiestu sviru, un tad atlaidiet sviru, lai mulčēšanas palīgierci nofiksētu.

▶ **Att.11:** 1. Svira 2. Mulčēšanas palīgierce

**Paredzēts modelim DLM461**

1. Atveriet aizmugurējo pārsegu un izņemiet zāles grozu.

▶ **Att.12:** 1. Aizmugurējais pārsegs 2. Zāles grozs

2. Piestipriniet mulčēšanas palīgierci, velkot sviru, un tad atlaidiet sviru, lai mulčēšanas palīgierci nofiksētu.

▶ **Att.13:** 1. Mulčēšanas palīgierce 2. Svira

# FUNKCIJU APRAKSTS

## Akumulatora kasetnes uzstādīšana un izņemšana

**⚠UZMANĪBU:** Pirms akumulatora kasetnes uzstādīšanas vai noņemšanas vienmēr izslēdziet darbarīku.

**⚠UZMANĪBU:** Uzstādot vai izņemot akumulatora kasetni, darbarīku un akumulatora kasetni turiet cieši. Ja darbarīku un akumulatora kasetni netur cieši, tie var izkrist no rokām un radīt bojājumus darbarīkam un akumulatora kasetnei, kā arī izraisīt ievainojumus.

**⚠UZMANĪBU:** Pirms lietošanas pārbaudiet, vai akumulatora vāks ir bloķēts. Citādi dubļi, netīrumi vai ūdens var izraisīt izstrādājuma vai akumulatora kasetnes bojājumus.

**⚠UZMANĪBU:** Vienmēr ievietojiet akumulatora kasetni līdz galam, lai sarkanās krāsas indikators nebūtu redzams. Pretējā gadījumā tā var nejauši izkrist no darbarīka un izraisīt jums vai apkārtnējiem traumas.

**⚠UZMANĪBU:** Neievietojiet akumulatora kasetni ar spēku. Ja kasetne neslīd ietvarā viegli, tā nav pareizi ielikta.

**PIEZĪME:** Darbarīks nedarbojas ar tikai vienu akumulatora kasetni.

### Darbības akumulatora kasetnes uzstādīšanai

1. Paveiciet bloķēšanas sviru un tad atveriet akumulatora vāku.

► **Att.14:** 1. Akumulatora vāks 2. Bloķēšanas svira

2. Savietojiet akumulatora kasetnes mēlīti ar atveri uz plaujmašīnas un bīdīet kasetni, līdz tā ar lieliu klikšķi nofiksējas vietā.

► **Att.15:** 1. Akumulatora kasetne

3. Bloķēšanas atslēgu ievietojiet attēlā redzamajā vietā līdz galam.

► **Att.16:** 1. Bloķēšanas atslēga

4. Aizveriet akumulatora vāku un bīdīet, līdz to nofiksē fiksācijas svira.

### Darbības akumulatora kasetnes izņemšanai no plaujmašīnas

1. Paveiciet akumulatora vāka bloķēšanas sviru un atveriet akumulatora vāku.

2. Akumulatora kasetni izņemiet no plaujmašīnas, vienlaikus bīdot pogu kasetnes priekšpusē.

3. Izvelciet bloķēšanas atslēgu.

4. Aizveriet akumulatora vāku.

## Darbarīka/akumulatora aizsardzības sistēma

Darbarīkam ir darbarīka/akumulatora aizsardzības sistēma. Šī sistēma automātiski izslēdz strāvas padevi motoram, lai pagarinātu darbarīka un akumulatora darbību. Lietošanas laikā darbarīks automātiski pārstās darboties, ja darbarīku vai akumulatoru pakļaus kādam no šādiem apstākļiem.

### Aizsardzība pret pārslodzi

Ja akumulatoram ekspluatācijas laikā nākas nodrošināt pār mērīgi augstu piedziņas jaudu, darbarīks automātiski pārtrauc darbību, un elektrobarošanas lampa mirgo zaļā krāsā. Šādā gadījumā izslēdziet darbarīku un pārtrauciet darbību, kas izraisīja pārslodzi. Pēc tam ieslēdziet darbarīku, lai atsāktu darbu.

### Aizsardzība pret pārkaršanu

Kad darbarīks vai akumulators ir pārkaris, darbarīks automātiski pārstāj darboties, un elektrobarošanas lampa deg sarkanā krāsā. Šādā gadījumā ļaujiet darbarīkam un akumulatoram atdzist un tikai pēc tam atkal ieslēdziet darbarīku.

### Aizsardzība pret akumulatora pārmērīgu izlādi










Ja atlikušā akumulatora jauda nav pietiekama, darbarīks automātiski pārstāj darboties, un jaudas indikators mirgo sarkanā krāsā. Šādā gadījumā, izņemiet akumulatoru no darbarīka un uzlādējiet akumulatora kasetnes vai nomainiet akumulatora kasetnes pret pilnībā uzlādētām.

## Atlikušās akumulatora jaudas indikators

### Tikai akumulatora kasetnēm ar indikatoru

► **Att.17:** 1. Indikatora lampas 2. Pārbaudes poga

Nospiediet akumulatora kasetnes pārbaudes pogu, lai pārbaudītu akumulatora atlikušo uzlādes līmeni. Indikatori iedegsies uz dažām sekundēm.

Indikatora lampas			Atlikušā jauda
 Iededzies	 Izslēgts	 Mirgo	
			No 75% līdz 100%
			No 50% līdz 75%
			No 25% līdz 50%
			No 0% līdz 25%
			Uzlādējiet akumulatoru.
			Iespējama akumulatora kļūme.

**PIEZĪME:** Reālā jauda var nedaudz atšķirties no norādītās atkarībā no lietošanas apstākļiem un apkārtnējās temperatūras.



## Vadības bloks

Vadības blokā atrodas galvenais barošanas slēdzis, režīmu pārslēgšanas poga un atlikušās akumulatora jaudas indikators.

► **Att.18:** 1. Akumulatora indikators 2. Režīmu pārslēgšanas indikators 3. Galvenais jaudas indikators 4. Pārbaudes poga 5. Režīmu pārslēgšanas poga 6. Galvenais ieslēgšanas slēdzis

## Galvenais barošanas slēdzis

**BRĪDINĀJUMS:** Vienmēr, kad darbarīku neliejojat, izslēdziet galveno elektropadeves slēdzi.

Lai ieslēgtu ierīci, nospiediet galveno barošanas slēdzi. Galvenais jaudas indikators iedegas zaļā krāsā. Lai izslēgtu ierīci, vēlreiz nospiediet galveno barošanas slēdzi.

**PIEZĪME:** Ja elektrobarošanas lampa iedegas sarkanā krāsā vai sāk mirgot sarkanā vai zaļā krāsā, skatiet norādes par darbarīka/akumulatora aizsardzības sistēmu.






**PIEZĪME:** Šai ierīcei ir automātiska izslēgšanas funkcija. Lai novērstu nejaušu iedarbināšanu, galvenais barošanas slēdzis automātiski izslēgsies, ja slēdža mēlīte netiks nospiesta noteiktā laikposmā pēc galvenā barošanas slēdža ieslēgšanas.

## Režīmu pārslēgšanas poga

Režīmu iespējams pārslēgt, nospiežot režīmu pārslēgšanas pogu. Kad ierīce ir ieslēgta, ierīce darbu sāk standarta režīmā. Nospiežot režīmu pārslēgšanas pogu, ierīce pārslēdzas enerģijas taupīšanas režīmā un režīmu pārslēgšanas indikators iedegas zaļā krāsā. Enerģijas taupīšanas režīmā varat samazināt plaušanas laikā radīto troksni. Nospiežot režīmu pārslēgšanas pogu vēlreiz, ierīce pārslēdzas standarta režīmā.

## Atlikušās akumulatora jaudas indikators

Nospiediet pārbaudes pogu, lai pārbaudītu akumulatora atlikušo jaudu. Akumulatora indikatori atbilst katram akumulatoram.

Akumulatora indikatora stāvoklis		Atlikusī akumulatora jauda
 Ieslēgts	 Izslēgts	
		50% - 100%
		20% - 50%
		0% - 20%

## Slēdža darbība

**BRĪDINĀJUMS:** Pirms akumulatora kasetnes uzstādīšanas vienmēr pārbaudiet, vai slēdža svira darbojas pareizi un pēc atlaišanas atgriežas sākotnējā stāvoklī. Lietojot darbarīku, kura slēdzis nedarbojas pareizi, var zaudēt kontroli un gūt smagu traumu.

**PIEZĪME:** Plaujmašina nesāk darboties bez slēdža pogas nospiešanas pat tad, ja ir pārbīdīta slēdža svira.

**PIEZĪME:** Mēģinot plaut garu, mitru zāli, pārslodzes dēļ plaujmašīnu var neizdoties iedarbināt. Šādā gadījumā palieliniet plaušanas augstumu.

Šī plaujmašina ir aprīkota ar bloķēšanas slēdzi un ruktura slēdzi. Ja konstatējat, ka kāds no šiem slēdžiem darbojas nepareizi, nekavējoties pārtrauciet lietošanu un nododiet mašīnu pārbaudei tuvākajā pilnvarotajā Makita apkopes centrā.

1. Uzstādiēt akumulatora kasetnes. Bloķēšanas atslēgu ievietojiet bloķēšanas slēdzī, tad aizveriet akumulatora vāku.
  2. Nospiediet galveno barošanas slēdzi.
  3. Nospiediet un turiet slēdža pogu.
  4. Satveriet augšējo rukturi un pavelciet slēdža sviru.
- **Att.19:** 1. Slēdža poga 2. Augšējais rukturis 3. Slēdža svira

**PIEZĪME:** Ja atslēga nav ievietota, tad, piespiežot slēdža mēlīti, jaudas indikators mirgo zaļā krāsā.

5. Kad motors iedarbināts, atlaidiet slēdža pogu. Plaujmašina turpinās darboties, līdz atlaidīsiet slēdža sviru.
6. Lai apturētu motoru, atlaidiet slēdža sviru.

## Plaušanas augstuma regulēšana

**BRĪDINĀJUMS:** Nekad nelieciet rokas un kājas zem plaujmašīnas, kad regulējat plaušanas augstumu.

**BRĪDINĀJUMS:** Pirms lietošanas vienmēr pārbaudiet, vai svira pilnībā nofiksējusies rievā.

### Paredzēts modelim DLM460

Plaušanas augstumu var regulēt diapazonā no 20 mm līdz 75 mm.

### Paredzēts modelim DLM461

Plaušanas augstumu var regulēt diapazonā no 16 mm līdz 71 mm.

Izņemiet atslēgu un tad velciet plaušanas augstuma regulēšanas sviru uz āru no plaujmašīnas korpusa, tad novietojiet to vēlamajā plaušanas augstumā.

► **Att.20:** 1. Plaušanas augstuma regulēšanas svira

Ar vienu roku turiet priekšējo rukturi un ar otru roku virziet plaušanas augstuma regulēšanas sviru.

► **Att.21:** 1. Plaušanas augstuma regulēšanas svira 2. Priekšējais rukturis

**PIEZĪME:** Plaušanas augstumu norādošie skaitļi jāuzskata tikai par informatīviem. Mauriņa vai grunts stāvokļa dēļ faktiskais zāliena augstums var nedaudz atšķirties no iestatītā augstuma.

**PIEZĪME:** Lai noregulētu nepieciešamo augstumu, zāles plaušanu izmēģiniet mazāk redzamā vietā.



## Rokturu augstuma regulēšana

**⚠UZMANĪBU:** Pirms bulskrūvju izņemšanas, stingri satveriet augšējo rokturi. Citādi rokturis var nokrist un izraisīt traumu.

Rokturu augstumu var regulēt trīs līmeņos.

1. Atskrūvējiet valjīgāk apakšējā roktura uzgriežņus, tad izņemiet bulskrūves, starpliku un spārnuzgriežņus.  
▶ **Att.22:** 1. Spārnuzgriežnis 2. Starplika 3. Bulskrūve

2. Regulējiet rokturu augstumu.

3. Ievietojiet bulskrūves no iekšpuses, tad pie stipriniet starplikas no ārpusē un tad pievelciet spārnuzgriežņus.

## Mulčēšanas palīgierīces lietošana

Mulčēšanas palīgierīce ļauj nopļautu zāli atgriezt uz zemes, nesavācot to zāles grozā. Darbinot ierīci, kurai ir mulčēšanas palīgierīce, noteikti noņemiet zāles grozu.

## Elektronika

Lai atvieglotu lietošanu, ierīce ir aprīkota ar elektroniskām funkcijām.

- Nemainīga ātruma vadība  
Elektroniskā ātruma vadība nemainīga ātruma nodrošināšanai. Nodrošina iespēju iegūt labi apstrādātu virsmu, jo apgriezīgu ātrums tiek saglabāts nemainīgs pat lielas slodzes apstākļos.
- Laidena ieslēgšana  
Laidenas ieslēgšanas funkcija mazina iedarbināšanas triecienu, un ierīce uzsāk darbību vienmērīgi.

## EKSPLUATĀCIJA

### Pļaušana

**⚠BRĪDINĀJUMS:** Pirms pļaušanas no pļaušanas vietas aizvāciet žaģarus un akmeņus. Pļaušanas vietu attīriet arī no nezālēm.

**⚠BRĪDINĀJUMS:** Lietojot pļaujmašīnu, vienmēr valkājiet aizsargbrilles vai brilles ar sānu aizsargiem.

**⚠UZMANĪBU:** Ja nopļautā zāle vai svešķermeņi nobloķē pļaujmašīnas korpusa iekšpusi, izņemiet atslēgu un akumulatora kasetni, un noteikti uzvelciet cimdus, pirms noņemat zāli vai svešķermeņus.

**IEVĒRĪBAI:** Lietojiet šo ierīci tikai zāles pļaušanai. Nepļaujiet ar šo ierīci nezāles.

▶ **Att.23**

Pļaujot cieši ar abām rokām turiet zāles pļaujmašīnas rokturi.

Pļaušanas standarta ātrums ir aptuveni 1 metrs 4 sekundēs.

▶ **Att.24**

Priekšējo riteņu centra līnijas ir pļaušanas platuma norādes. Izmantojot centra līnijas kā norādes, pļaujiet joslās. Lai zālienu nopļautu līdzīgi, pļaušanas joslai par vienu pusi vai trešdaļu jāpārklājas ar iepriekšējo joslu.

▶ **Att.25:** 1. Pļaušanas platums 2. Pārklāšanās zona 3. Centra līnija

Pļaušanas virzienu katru reizi mainiet, lai zāles plāvuma raksts neveidotos tikai vienā virzienā.

▶ **Att.26**

Periodiski pārbaudiet zāles groza saturu. Iztukšojiet grozu, pirms tas ir pilns. Pirms regulāras pārbaudes apturiet pļaujmašīnu, tad izņemiet bloķēšanas atslēgu un akumulatora kasetni.

**PIEZĪME:** Izmantojot pļaujmašīnu ar pilnu zāles grozu, asmeņi nevarēs brīvi griezties un motoram radīsies papildu slodze, kas var izraisīt bojājumus.

## Pļaujot zālienu ar garu zāli

Nemēģiniet uzreiz nopļaut garu zāli. Tā vietā pļaujiet zālienu pakāpeniski. Starp pļaušanas reizēm uzgaidiet vienu vai divas dienas, līdz zāle visur ir vienādi īsa.

▶ **Att.27**

**PIEZĪME:** Ja garu zāli vienā reizē nopļauj pavisam īsu, tā var iznīkt. Nopļautā zāle var iesprūst pļaujmašīnas korpusā.

## Zāles groza iztukšošana

**⚠BRĪDINĀJUMS:** Lai nepieļautu negadījumus, regulāri pārbaudiet, vai zāles grozs nav bojāts vai nodilis. Ja nepieciešams, nomainiet zāles grozu.

1. Atlaidiet slēdža sviru.
2. Izņemiet bloķēšanas atslēgu.
3. Atveriet aizmugurējo pārsegu un aiz roktura izņemiet zāles grozu.  
▶ **Att.28:** 1. Aizmugurējais pārsegs 2. Rokturis 3. Zāles grozs
4. Iztukšojiet zāles grozu.

## TEHNISKĀ APKOPE

**⚠BRĪDINĀJUMS:** Vienmēr no pļaujmašīnas izņemiet atslēgu un akumulatora kasetni pirms pļaujmašīnas glabāšanas vai nešanas, vai pirms veicot pārbaudes vai apkopes darbus.

**⚠BRĪDINĀJUMS:** Ja pļaujmašīnu nelietojat, vienmēr izņemiet bloķēšanas atslēgu. Bloķēšanas atslēgu glabājiet drošā, bērniem neaizsniežamā vietā.

**⚠BRĪDINĀJUMS:** Veicot pārbaudi vai apkopi, valkājiet cimdus.

**⚠BRĪDINĀJUMS:** Veicot pļaujmašīnas apkopes vai pārbaudes darbus, vienmēr valkājiet aizsargbrilles vai brilles ar sānu aizsargiem.

**IEVĒRĪBAI:** Nekad neizmantojiet gazolinu, benzīnu, atšķaidītāju, spirtu vai līdzīgus šķidrumus. Tas var radīt izbalēšanu, deformāciju vai plaisas.

Lai saglabātu izstrādājuma DROŠU un UZTICAMU darbību, remontdarbus, apkopi un regulēšanu uzticiet veikt tikai Makita pilnvarotam vai rūpnīcas apkopes centram, un vienmēr izmantojiet tikai Makita rezerves daļas.

## Apkope

1. Izņemiet atslēgu un akumulatora kasetnes, pēc tam aizveriet akumulatora vāku.
2. Pļaujmašīnu nolieciet uz sāniem un iztīriet atgriezumus, kas uzkrājušies pļaujmašīnas apakšā.
3. Ūdeni leļiet virzienā uz ierīces apakšpusi, kur piestiprināts asmens.

**IEVĒRĪBAI:** Nemazgājiet ierīci ar augstspiediena ūdens strūklu.

4. Pārbaudiet, vai uzgriežņi, bultskrūves, regulatori, skrūves, aizslēgi u.c. pievilkti cieši.
5. Pārbaudiet, vai kustīgās daļas nav bojātas, salūzušas vai nodilušas. Bojātās vai trūkstošās daļas jāremontē vai jāaizvieto.
6. Glabājiet pļaujmašīnu drošā, bērniem nepieejamā vietā.

## Pļaujmašīnas pārnēsāšana

Nesiet pļaujmašīnu kopā ar citu personu, turot priekšējo un apakšējo rokturi, kā attēlots.

- **Att.29:** 1. Apakšējais rokturis 2. Priekšējais rokturis

## Glabāšana

Pļaujmašīnu glabājiet vēsā, sausā un aizslēdzamā telpā. Pļaujmašīnu un lādētāju neglabājiet vietā, kur temperatūra var sasniegt vai pārsniegt 40 °C (104 °F).

1. Atveriet aizmugurējo pārsegu un aiz roktura izņemiet zāles grozu.
- **Att.30:** 1. Aizmugurējais pārsegs 2. Rokturis 3. Zāles grozs
2. Atskrūvējiet valīgāk spārnuzgriežņus un salokiet augšējo rokturi.

- **Att.31:** 1. Augšējais rokturis 2. Spārnuzgrieznis

## Pļaujmašīnas asmens noņemšana vai uzstādīšana

**▲BRĪDINĀJUMS:** Uzstādot vai noņemot asmeni, vienmēr izņemiet bloķēšanas atslēgu un akumulatora kasetni. Neizņemot bloķēšanas atslēgu un akumulatora kasetni, var gūt smagas traumas.

**▲BRĪDINĀJUMS:** Asmens pēc slēdža atļaušanas turpina kustēties pēc inerces. Neveiciet nekādas darbības, kamēr asmens nav pilnībā apstājies.

**▲BRĪDINĀJUMS:** Rīkojoties ar asmeni, vienmēr valkājiet cimdus.

## Pļaujmašīnas asmens noņemšana

### Paredzēts modelim DLM460

1. Pļaujmašīnu novietojiet uz sāniem tā, lai pļaujmašīnas augstuma regulēšanas svira atrastos augšpusē.
2. Lai nobloķētu asmeni, pļaujmašīnā ievietojiet koka kluci vai līdzīgu priekšmetu.
3. Ar uzgriežņu atslēgu grieziet skrūvi pretēji pulksteņrādītāju kustības virzienam.  
► **Att.32:** 1. Pļaujmašīnas asmens 2. Uzgriežņu atslēga 3. Koka klucis
4. Noņemiet bultskrūvi, starpliku un pļaujmašīnas asmeni – ievērojiet šo secību.  
► **Att.33:** 1. Pļaujmašīnas asmens 2. Starplika 3. Bultskrūve

### Paredzēts modelim DLM461

1. Pļaujmašīnu novietojiet uz sāniem tā, lai pļaujmašīnas augstuma regulēšanas svira atrastos augšpusē.
2. Turot pamatnes plāksni, pagrieziet bultskrūvi pretēji pulksteņrādītāju kustības virzienam ar uzgriežņu atslēgu.  
► **Att.34:** 1. Uzgriežņu atslēga 2. Pamatnes plāksne
3. Noņemiet bultskrūvi, starpliku un pamatnes plāksni – ievērojiet šo secību.  
► **Att.35:** 1. Pamatnes plāksne 2. Starplika 3. Skrūve
4. Lai izņemtu atsevišķo asmeni: turot pamata plāksni, pagrieziet bultskrūvi pretēji pulksteņrādītāju kustības virzienam ar uzgriežņu atslēgu.  
► **Att.36:** 1. Pamatnes plāksne 2. Pļaujmašīnas asmens 3. Uzgriežņu atslēga

## Pļaujmašīnas asmens uzstādīšana

Lai uzstādītu pļaujmašīnas asmeni, noņemšanas darbības izpildiet pretēji secībā.

**▲BRĪDINĀJUMS:** Uzmanīgi uzstādiet asmeni. Tā augšpuse un apakšpuse atšķiras. Asmeni novietojiet tā, lai griešanās virziena bultiņa būtu ārpusē.

**▲BRĪDINĀJUMS:** Lai asmeni nostiprinātu, skrūvi pievelciet pulksteņrādītāju kustības virzienā.

**▲BRĪDINĀJUMS:** Pārliedcinieties, ka asmens un visas fiksējošās daļas uzstādītas pareizi un pievilktas cieši.

**▲BRĪDINĀJUMS:** Nomainot asmeņus, vienmēr izpildiet norādījumus šajā rokasgrāmatā.

### Paredzēts modelim DLM461

**IEVĒRĪBAI:** Uzstādot pļaujmašīnas asmeni, uzlieciet to, kā parādīts attēlā, lai izvairījumi pieskartos pļaujmašīnas asmenim.

- **Att.37:** 1. Izvērījums 2. Pļaujmašīnas asmens

# PROBLĒMU NOVĒRŠANA

Pirms nodošanas remontā vispirms veiciet pārbaudi pats. Ja konstatējat kļūmi, kas nav aprakstīta rokasgrāmatā, nemēģiniet darbarīku izjaukt. Dodieties uz Makita pilnvarotu apkopes centru un remontam vienmēr izmantojiet tikai Makita rezerves daļas.

Neatbilstošas darbības stāvoklis	Iespējamais iemesls (kļūme)	Risinājums
Plaujmašīna nesāk darboties.	Nav uzstādītas divas akumulatora kasetnes.	Uzstādiet uzlādētas akumulatora kasetnes.
	Akumulatora kļūme (zems spriegums)	Uzlādējiet akumulatora kasetni. Ja uzlāde nav veiksmīga, nomainiet akumulatora kasetni.
	Nav ievietota bloķēšanas atslēga.	Ievietojiet bloķēšanas atslēgu.
Motors izslēdzas pēc neilgas darbināšanas.	Akumulatora uzlādes līmenis ir par zemu.	Uzlādējiet akumulatora kasetni. Ja uzlāde nav veiksmīga, nomainiet akumulatora kasetni.
	Griešanas augstums ir par mazu.	Palieliniet griešanas augstumu.
Motors nesasniedz maksimālo apgriezumu skaitu minūtē.	Akumulatora kasetne nav uzstādīta pareizi.	Akumulatora kasetni uzstādiet pēc norādījumiem šajā rokasgrāmatā.
	Samazinās akumulatora jauda.	Uzlādējiet akumulatora kasetni. Ja uzlāde nav veiksmīga, nomainiet akumulatora kasetni.
	Piedziņas sistēma nedarbojas pareizi.	Ierīci aizgādājiet uz remontu vietējā pilnvarotā apkopes centrā.
Griezējinstrumentis negriežas: ⇒ nekavējoties apturiet plaujmašīnu!	Pie asmens iesprūdis kāds svešķermenis, piemēram, zars.	Izņemiet svešķermeni.
	Piedziņas sistēma nedarbojas pareizi.	Ierīci aizgādājiet uz remontu vietējā pilnvarotā apkopes centrā.
Pārmērīga vibrācija: ⇒ nekavējoties apturiet plaujmašīnu!	Asmens nav nolīmeņots, ir pārmērīgi vai nevienmērīgi nodilis.	Nomainiet asmeni.

## PAPILDU PIEDERUMI

**⚠ UZMANĪBU:** Šādi piederumi un papildierīces tiek ieteiktas lietošanai ar šajā rokasgrāmatā aprakstīto Makita darbarīku. Izmantojot citus piederumus vai papildierīces, var tikt radīta trauma gūšanas bīstamība. Piederumu vai papildierīci izmantojiet tikai paredzētajam mērķim.

Ja jums vajadzīga palīdzība vai precīzāka informācija par šiem piederumiem, vērsieties savā tuvākajā Makita apkopes centrā.

- Plaujmašīnas asmens
- Makita oriģinālais akumulators un lādētājs

**PIEZĪME:** Daži sarakstā norādītie izstrādājumi var būt iekļauti instrumenta komplektācijā kā standarta piederumi. Tie dažādās valstīs var būt atšķirīgi.

## SPECIFIKACIJOS

Modelis:		DLM460	DLM461
Pjovimo plotis (peilio skersmuo)		460 mm	
Be apkrovos		2 500 min <sup>-1</sup>	
Didžiausias greitis		3 300 min <sup>-1</sup>	
Pakaitinio vejjaprovės peilio dalies numeris		199367-2	199368-0
Matmenys (l x P x A)	dirbant	L: Nuo 1 319 mm iki 1 518 mm W: 532 mm H: 879 - 1 138 mm	
	Laikant (be žolės surinkimo krepšio)	L: Nuo 1 004 mm iki 1 125 mm W: 532 mm H: 533 - 713 mm	
Nominali įtampa		Nuol. sr. 36 V	
Grynasis svoris		25,3 - 27,6kg	26,6 - 28,4kg
Apsaugos laipsnis		IPX4	

- Atliekame tęsinius tyrimus ir nuolatos tobuliname savo gaminius, todėl čia pateikiamos specifikacijos gali būti keičiamos be įspėjimo.
- Įvairiose šalyse specifikacijos ir akumuliatoriaus kasetė gali skirtis.
- Svoris gali priklausyti nuo priedo (-ų), įskaitant akumuliatoriaus kasetę. Lengviausias ir sunkiausias deriniai pagal EPTA 2014 m. sausio mėn. procedūrą yra parodyti lentelėje.

**Tinkama akumuliatoriaus kasetė**

BL1815N / BL1820 / BL1820B / BL1830 / BL1830B / BL1840 / BL1840B / BL1850 / BL1850B / BL1860B

- Atsižvelgiant į gyvenamosios vietos regioną, kai kurios pirmiau nurodytos akumuliatoriaus kasetės gali būti neprieinamos.

**⚠ JSPĖJIMAS:** Naudokite tik akumuliatoriaus kasetes, kurios nurodytos anksčiau. Naudojant bet kurias kitas akumuliatoriaus kasetes, gali kilti sužeidimo ir gaisro pavojus.

## Simboliai

Toliau yra nurodyti įrangai naudojami simboliai. Prieš naudodami įsitikinkite, ar suprantate jų reikšmę.

	Būkite itin atsargūs ir dėmesingi.
	Perskaitykite instrukcijų vadovą.
	Pavojus; saugokitės skriejančių objektų.
	Tarp įrankio ir šalia esančių žmonių turi būti bent 15 m atstumas.
	Laikykite rankas ir pėdas atokiai nuo vejjaprovės apačioje esančių peilių. Išjungus variklį, peiliai dar kurį laiką sukasi.
	Prieš atlikdami tikrinimo, reguliavimo, valymo ir techninės priežiūros darbus, taip pat prieš palikdami vejjaprovę be priežiūros ir pastatydami ją į saugojimo vietą, ištraukite spynos raktą.



Taikoma tik ES šalims  
Neišmeskite elektros įrangos arba akumuliatoriaus bloko į buitinius šiukšlynus!  
Atsižvelgiant į ES direktyvas dėl elektros ir elektroninės įrangos atliekų, dėl baterijų ir akumuliatorių bei baterijų ir akumuliatorių atliekų ir šių direktyvų siekių įgyvendinimą pagal nacionalinius įstatymus, elektros įrangos ir baterijų bei akumuliatorių atliekas būtina surinkti atskirai nuo kitų buitinių atliekų ir atiduoti į antrinių žaliavų perdirbimo aplinkai nekenksmingu būdu punktą.

## Numatytoji naudojimo paskirtis

Šis įrankis skirtas vejai pjauti.

## Triukšmas

Įprastas triukšmo A lygis, nustatytas pagal EN60335-2-77:

**Modelis DLM460**Garso slėgio lygis ( $L_{pA}$ ): 79 dB (A)Garso galios lygis ( $L_{WA}$ ): 91 dB (A)

Paklaida (K): 3,4 dB (A)

Dirbant triukšmo lygis gali viršyti 80 dB (A).

**PASTABA:** Paskelbta (-os) triukšmo reikšmė (-ės) nustatyta (-os) pagal standartinį testavimo metodą ir jį galima naudoti vienam įrankiui palyginti su kitu.

**PASTABA:** Paskelbta (-os) triukšmo reikšmė (-ės) taip pat gali būti naudojama (-os) norint preliminariai įvertinti triukšmo poveikį.

**⚠️ JSPĖJIMAS:** Dėvėkite ausų apsaugą.

**⚠️ JSPĖJIMAS:** Faktiškai naudojant elektrinį įrankį, keliamo triukšmo dydis gali skirtis nuo paskelbtos (-ų) reikšmės (-ių), priklausomai nuo būdų, kuriais yra naudojamas šis įrankis, ir ypač nuo to, kokio tipo ruošinys apdirbamas.

**⚠️ JSPĖJIMAS:** Siekdami apsaugoti operatorių, būtina įvertinkite saugos priemones, remdamesi vibracijos poveikio įvertinimu esant faktinėms naudojimo sąlygoms (atsižvelgdami į visas darbo ciklo dalis, pavyzdžiui, ne tik kiek laiko įrankis veikia, bet ir kiek kartų jis yra išjungiamas bei kai jis veikia be apkrovų).

## Vibracija

Vibracijos bendroji vertė (triašio vektorius suma) nustatyta pagal EN60335-2-77 standartą:

### Modelis DLM460

Vibracijos emisija ( $a_{h2}$ ): 2,5 m/s<sup>2</sup> arba mažiau

Paklaida (K): 1,5 m/s<sup>2</sup>

**PASTABA:** Paskelbta (-os) vibracijos bendroji (-osios) reikšmė (-ės) nustatyta (-os) pagal standartinį testavimo metodą ir jį galima naudoti vienam įrankiui palyginti su kitu.

**PASTABA:** Paskelbta (-os) vibracijos bendroji (-osios) reikšmė (-ės) taip pat gali būti naudojama (-os) norint preliminariai įvertinti vibracijos poveikį.

**⚠️ JSPĖJIMAS:** Faktiškai naudojant elektrinį įrankį, keliamos vibracijos dydis gali skirtis nuo paskelbtos (-ų) reikšmės (-ių), priklausomai nuo būdų, kuriais yra naudojamas šis įrankis, ir ypač nuo to, kokio tipo ruošinys apdirbamas.

**⚠️ JSPĖJIMAS:** Siekdami apsaugoti operatorių, būtina įvertinkite saugos priemones, remdamesi vibracijos poveikio įvertinimu esant faktinėms naudojimo sąlygoms (atsižvelgdami į visas darbo ciklo dalis, pavyzdžiui, ne tik kiek laiko įrankis veikia, bet ir kiek kartų jis yra išjungiamas bei kai jis veikia be apkrovų).

## EB atitikties deklaracija

### Tik Europos šalims

EB atitikties deklaracija yra pridėdama kaip šio instrukcijos vadovo A priedas.

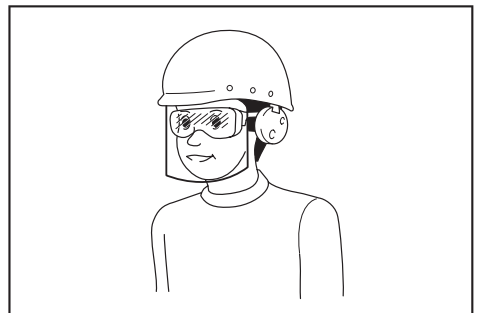
## SAUGOS ĮSPĖJIMAI

### Vejapjovės saugos instrukcijos

**⚠️ JSPĖJIMAS:** Perskaitykite visus saugos įspėjimus ir visą instrukciją. Nesilaikydami toliau pateiktų įspėjimų ir instrukcijų galite patirti elektros smūgį, gaisrą ir (arba) sunkų sužeidimą.

## Išsaugokite visus įspėjimus ir instrukcijas, kad galėtumėte jas peržiūrėti ateityje.

1. Nekiškite blokavimo raktelio į vejapjovę, kol ji nebus paruošta naudoti.
2. Būtina prižiūrėti vaikus, kad jie nežaistų su vejapjove.
3. Niekuomet neleiskite vejapjovės naudoti vaikams arba su šia instrukcija nesusipažinusiems žmonėms. Operatoriaus amžius gali būti reglamentuojamas vietinių įstatymų.
4. Niekuomet nenaudokite vejapjovės, jei netoliese yra žmonių, ypač vaikų ar naminių gyvūnų.
5. Atminkite, kad operatorius yra atsakingas už nelaimingus atsitikimus ar nelaimes, atsitikusias kitiems žmonėms, arba jų turtui padarytą žalą.
6. Naudodami vejapjovę, visuomet avėkite tvirtą avalynę ir mėvėkite ilgus kelnes. Niekuomet nedirbkite vejapjove, jeigu esate basi arba avite atvirus sandalus. Nedėvėkite laisvų drabužių ir kabančių papuošalų, nesurištų virvelių arba kaklaraiščių. Juos gali įtraukti judančios dalys.
7. Visada naudodami elektrinius įrankius užsidėkite apsauginius akinius, kad apsaugotumėte savo akis nuo sužalojimų. Akiniai turi atitikti ANSI Z87.1 reikalavimus JAV, EN 166 reikalavimus Europoje arba AS/NZS 1336 reikalavimus Australijoje / Naujojoje Zelandijoje. Australijoje / Naujojoje Zelandijoje taip pat teisiškai privaloma naudoti veido skydelį.



Darbdavys privalo užtikrinti, kad įrankio operatoriai ir kiti šalia jo darbo vietos esantys asmenys naudotų tinkamas apsaugos priemones.

8. Vejapjovę naudokite tik dienos metu arba esant geram dirbtiniam apšvietimui.
9. Vejapjove nepjaukite šlapios žolės.
10. Akumulatorinio įrankio naudojimas ir priežiūra
  - Įrąukite tik gamintojo nurodytais krovikliais. Kroviklis, kuris tinka vienam akumuliatorių kasečių tipui įkrauti, gali kelti gaisro pavojų naudojant su kito tipo akumuliatorių kasetėmis.
  - Elektrinius įrankius naudokite tik su jiems skirtomis akumuliatorių kasetėmis. Naudojant kitokias akumuliatorių kasetes, gali kilti sužeidimų ir gaisro pavojų.

- Kai akumulatoriaus kasetės nenaudojate, laikykite ją toliau nuo kitų metalinių daiktų, pavyzdžiui, popieriaus sąvaržėlių, monetų, raktų, vinių, varžtų ir kitų mažų metalinių daiktų, kurie gali trumpai sujungti kontaktus. Akumuliatorių kontaktų trumpasis jungimas gali būti nudegimų arba gaisro priežastis.
  - Netinkamai naudojant, iš akumuliatorių gali ištekėti skystis; venkite sąlyčio su juo. Jei sąlytis atsitiktinai įvyko, gausiai nuplaukite vandeniu. Jei skysčio pateko į akis, kreipkitės į gydytoją. Iš akumulatoriaus išbėgęs skystis gali sudirginti arba nudeginti odą.
  - Nemeskite akumulatoriaus (-ių) į ugnį. Akumulatoriaus elementas gali sprogti. Pasitikrinkite, ar vietiniai įstatymai nenurodo specialias išmetimo būdo.
  - Neatidarykite ir neardykite akumulatoriaus (-ių). Ištekėjęs elektrolitas yra esdinančioji medžiaga, kuri gali pažeisti akis ar odą. Nurytas jis gali apnuodyti.
  - Nenaudokite akumulatoriaus lyjant arba drėgnose vietose.
11. Visada tvirtai laikykite rankeną.
  12. Dirbdami nuokalnėse, visada tvirtai stovėkite ant žemės.
  13. Visada vaikščiokite, nebėgiokite.
  14. Paimdami arba laikydami veją, neimkite už atvirų pjovimo peilių arba pjovimo briaunų.
  15. Fizinės sąlygos – nenaudokite veją, jeigu esate apsvaigę nuo alkoholio, narkotikų arba kokių nors vaistų.
  16. Laikykite pėdas ir rankas atokiai nuo besisukančių peilių. Dėmesio – išjungus veją, pjovimo peiliai dar sukasi iš inercijos.
  17. Naudokite tik šioje instrukcijoje nurodytus originalius peilius.
  18. Prieš naudodami patikrinkite peilius arba peilių varžtus, ar nėra įtrūkimų ar pažeidimų. Nedelsdami pakeiskite įtrūkusius arba pažeistus peilius arba peilių varžtus.
  19. Prieš padėdami pjauti žolę, įsitikinkite, ar toje vietoje nėra kitų žmonių. Išjunkite veją, jeigu į darbo vietą kas nors ateina.
  20. Prieš pradėdami pjauti žolę, surinkite nuo vejos pašalinius daiktus, pavyzdžiui, akmenis, laidus, butelius, kaulus ir dideles šakas, gali apnuodyti žaizdumėte ir nesugadintumėte veją.
  21. Pastebėję ką nors neįprasto, tučtuojau nutraukite darbą. Išjunkite veją ir ištraukite raktą. Tada apžiūrėkite veją.
  22. Nereguliuokite pjovimo aukščio, kai veją veikia, jei veją turi pjovimo aukščio reguliavimo funkciją.
  23. Prieš kirsdami kelius, takus, vieškelius ir bet kokias žvyru padengtas vietas, atleiskite svirtinį jungiklį ir palaukite, kol peiliai nebesisuks. Taip pat ištraukite blokavimo raktelį, jeigu veją paliekate be priežiūros, jeigu siekiate kažką pakelti arba patraukti iš kelio, arba dėl bet kokios kitos priežasties, kuri gali atitraukti jus nuo atliekamo darbo.
  24. Veją peilio užkliudyti objektai gali sunkiai sužaloti. Prieš kiekvieną vejos pjovimą, veją visada reikia atidžiai apžiūrėti ir surinkti nuo jos visus daiktus.
25. Jeigu veją užkliudo pašalinį objektą, atlikite šiuos veiksmus:
    - Išjunkite veją, atleiskite svirtinį jungiklį ir palaukite, kol peilis visiškai sustos.
    - Ištraukite blokavimo raktelį ir išimkite akumulatoriaus kasetę.
    - Apžiūrėkite veją, ar ji neapgadinta.
    - Pakeiskite peilį, jeigu jis kaip nors apgadintas. Prieš užvesdami ir toliau naudodami veją, pašalinkite bet kokius gedimus.
  26. Dažnai tikrinkite, ar žolės surinkimo krepšys nesusišėjęs ir yra tinkamos būklės. Prieš pastatydami įrenginį, būtina ištuštinkite žolės surinkimo krepšį. Norėdami užtikrinti saugą, nusidėvėjusį žolės surinkimo krepšį pakeiskite nauju originaliu atsarginiu krepšiu.
  27. Būkite itin atsargūs, važiuodami atbuline eiga arba traukdami veją savęs link.
  28. Sustabdykite peilį (-ius), jeigu veją reikia paversti, kad ją galima būtų perkelti per žolę neapaugusius paviršius, ir gabendami veją iš vietos, kurioje ji buvo naudojama, ir į tą vietą, kurioje ji bus naudojama.
  29. Niekada nenaudokite veją vos pažeistais apsauginiais skydais arba gaubtais ar be tinkamai sumontuotų saugos įtaisų, pavyzdžiui, kreiptuvų ir (arba) žolės surinkimo krepšio.
  30. Atsargiai įjunkite veją, kaip nurodyta instrukcijoje; pėdos turi būti pakankamu atstumu nuo peilio (-ių).
  31. Užvesdami variklį nepakreipkite veją, išskyrus tuomet, jeigu užvedant variklį ji turi būti pakreipta. Tokiu atveju pakreipkite ją tik tiek, kiek tai būtina, ir kelkite tik tą dalį, kuri yra atokiau nuo jūsų.
  32. Neužveskite veją variklio, stovėdami priešais išmetimo angą.
  33. Nekiškite rankų ar kojų artyn prie besisukančių dalių arba po jomis. Visada stovėkite atokiai nuo išmetimo angos.
  34. Negabenkite veikiančios veją.
  35. Išjunkite veją ir ištraukite išjungimo įtaisą. Įsitikinkite, ar visos judančios dalys visiškai sustojo – kai paliekate veją be priežiūros, – prieš pradėdami valyti užsikimšimus arba prieš atkimšdami išmetimo lataką, – prieš tikrindami, valydami arba dirbdami veją, – užkliudę pašalinį objektą. Prieš įjungdami veją ir vėl pradėdami dirbti, ją apžiūrėkite, ar nėra gedimų, ir juos pašalinkite;
  36. Jeigu veją pradeda neįprastai vibruoti, nedelsdami
    - patikrinkite, ar nėra gedimo;
    - pakeiskite arba pataisykite bet kurias sugadintas dalis;
    - patikrinkite ir priveržkite visas atsilaisvinusias dalis.
  37. Reguluodami veją būkite atsargūs, kad pirštų neįtrauktų judantys peiliai ir nejudančios jos dalys.
  38. Pjaukite žolę, važiuodami nuokalnėmis atštytin ir žemyn, o ne skersai. Keisdami kryptis nuokalnėse, būkite itin atsargūs. Nepjaukite žolės pernelyg stačiose nuokalnėse.
  39. Dažnai tikrinkite, ar tinkamai priveržti peilių montavimo varžtai.



40. Visos veržlės, varžtai ir sraigai turi būti tvirtai prisukti, kad būtų užtikrintos saugios įrenginio darbo sąlygos.
41. Prieš pastatydami vejąpvovę į saugojimo vietą, palaukite, kol ji visiškai atvės.
42. Prieš pradėdami peilių techninės priežiūros darbus, nepamirškite, kad nors maitinimo šaltinis yra išjungtas, peiliai vis tiek gali sukelti.
43. Saugumo sumetimais pakeiskite nusidėvėjusias arba sugadintas dalis. Prireikus priedu arba atsarginių dalių, naudokite tik originalias dalis.
44. Nenaudokite mašinos, kai yra žaibo pavojus.
45. Kai naudojate mašiną ant purvinos dirvos, drėgno nuolydžio ar slidžios vietos, atkreipkite dėmesį į pagrindą po kojomis.
46. Venkite dirbti netinkamoje aplinkoje, kurioje tikėtina, kad naudotojas labiau pavargs.
47. Nenaudokite mašinos prastu oru, kai matomas ribotas. To nepadarius, dėl silpno matomumo galite apversti mašiną arba ji gali netinkamai veikti.
48. Nekeiskite akumuliatoriaus lyjant.
49. Nenaudokite mašinos balose.
50. Nepalikite mašinos lauke lyjant.
51. Nekiškite ir neišimkite blokavimo raktą lyjant.
52. Jei lyjant prie siurbimo angos (ventiliacijos langelio) prilipo drėgnas lapas ar purvas, pašalinkite juos.
53. Neplaukite mašinos aukšto slėgio vandeniui.
54. Plaudami mašiną, būtinai išimkite akumuliatorių ir blokavimo mygtuką, uždarykite akumuliatoriaus dangtelį ir pilkite vandenį mašinos apačios link, kur pritvirtintas peilis.
55. Mašinos laikymo vietoje neturėtų būti tiesioginių saulės spindulių ir lietaus; laikykite ją ten, kur ji nesušlaps ir neįkais.
56. Atlikite patikrinimą ar techninę priežiūrą ten, kur galima išvengti lietaus.
57. Baigę naudoti mašiną, prieš statydami ją sandėliuoti, pašalinkite prikibusius nešvarumus ir visiškai išdžiovinkite mašiną. Priklausomai nuo sezono arba regiono, dėl užšalimo mašina gali sugesti.
58. Negalima šlapinti akumuliatoriaus gnybto skysčiu, pvz., vandeniui, arba panardinti akumuliatoriaus. Nepalikite akumuliatoriaus lietuje, neįkraukite, nenaudokite ir nekeiskite akumuliatoriaus šlapioje arba drėgnoje vietoje. Jei gnybtas sušlampa arba į akumuliatoriaus vidų patenka skysčio, gali kilti trumpasis akumuliatoriaus jungimas ir perkaitimo, gaisro arba sprogmio pavojus.
59. Išėmę akumuliatorių iš mašinos arba įkroviklio, būtinai uždėkite akumuliatoriaus dangtelį ant akumuliatoriaus ir laikykite jį sausoje vietoje.
60. Nekeiskite akumuliatoriaus šlapiomis rankomis.
61. Nenaudokite mašinos ant sniego.
62. Jei nupjauta žolė yra šlapia, ji gali užkimšti mašinos vidų. Reguliariai tikrinkite mašinos būklę ir prireikus šalinkite susikaupusią žolę.

## SAUGOKITE ŠIAS INSTRUKCIJAS.

**ĮSPĖJIMAS:** NELEISKITE, kad patogumas ir gaminio pažinimas (įgyjamas pakartotinai naudojant) susilpnintų griežtą saugos taisyklių, taikytinų šiam gaminiui, laikymąsi.

Dėl NETINKAMO NAUDOJIMO arba saugos taisyklių, kurios pateiktos šioje instrukcijoje, nesilaikymo galima rimtai susižeisti.

## Svarbios saugos instrukcijos, taikomos akumuliatoriaus kasetei

1. Prieš naudodami akumuliatoriaus kasetę, perskaitykite visas instrukcijas ir perspėjimus ant (1) akumuliatorių įkroviklio, (2) akumuliatorių ir (3) akumuliatorių naudojančio gaminio.
2. Neardykite akumuliatoriaus kasetės.
3. Jei įrankio darbo laikas žymiai sutrumpėjo, nedelsdami nutraukite darbą su įrankiu. Tai gali kelti perkaitimo, nudegimų ar net sprogmio pavojų.
4. Jei elektrolitas pateko į akis, plaukite jas tyru vandeniu ir nedelsdami kreipkitės į gydytoją. Gali kilti regėjimo praradimo pavojus.
5. Neužtrumpinkite akumuliatoriaus kasetės:
  - (1) Nelieskite kontaktų degiomis medžiagomis.
  - (2) Venkite laikyti akumuliatoriaus kasetę kartu su kitais metaliniais daiktai, pavyzdžiui, vinimis, monetomis ir pan.
  - (3) Saugokite akumuliatoriaus kasetę nuo vandens ir lietaus.
 Trumpasis jungimas akumuliatoriuje gali sukelti stiprią srovę, perkaitimą, galimus nudegimus ar net akumuliatoriaus gedimą.
6. Nelaikykite įrankio ir akumuliatoriaus kasetės vietoje, kur temperatūra gali pasiekti ar viršyti 50 °C.
7. Nedeginkite akumuliatoriaus kasetės, net jei yra stipriai pažeista ar visiškai nusidėvėjusi. Ugnyje akumuliatoriaus kasetė gali sprogti.
8. Saugokite akumuliatorių nuo kritimo ir smūgių.
9. Nenaudokite pažeisto akumuliatoriaus.
10. Įdėtos ličio jonų akumuliatoriaus taikomi Pavojingų prekių teisės akto reikalavimai. Komerčinis transportas, pvz., trečiųjų šalių, prekių vežimo atstovų, turi laikytis specialaus reikalavimo ant pakuotės ir ženklavimo. Norėdami paruošti siųstiną prekę, pasitarkite su pavojingų medžiagų specialistu. Be to, laikykitės galimai išsamesnių nacionalinių reglamentų. Užklijuokite juosta arba padenkite atvirus kontaktus ir supakuokite akumuliatorių taip, kad ji pakuotėje nejudėtų.
11. Vadovaukitės vietos įstatymais dėl akumuliatorių išmetimo.
12. Baterijas naudokite tik su „Makita“ nurodytais gaminiiais. Baterijas įdėjus į netinkamus gaminius gali kilti gaisras, gaminyje pernelyg kaisti, kilti sprogmimas arba pratekėti elektrolitas.

## SAUGOKITE ŠIAS INSTRUKCIJAS.



**▲PERSPĖJIMAS:** Naudokite tik originalų „Makita“ akumuliatorių. Neoriginalaus „Makita“ arba pakeisto akumuliatoriaus naudojimas gali nulemti gaisrą, asmens sužalojimą ir pažeidimą. Tai taip pat panaikina „Makita“ suteikiamą „Makita“ įrankio ir įkroviklio garantiją.

## Patarimai, ką daryti, kad akumulatorius veiktų kuo ilgiau

1. Pakraukite akumuliatoriaus kasetę prieš jai visiškai išsikraunant. Visuomet nustokite naudoti įrankį ir pakraukite akumuliatoriaus kasetę, kai pastebite, kad įrankio galia sumažėjo.
2. Niekada nekraukite iki galo įkrautos akumuliatoriaus kasetės. Perkraunant trumpėja akumuliatoriaus eksploatacijos laikas.
3. Akumuliatoriaus kasetę kraukite esant kambario temperatūrai 10 - 40 °C. Prieš pradėdami krauti, leiskite įkaitusiems akumuliatoriaus kasetei atvėsti.
4. Įkraukite akumuliatoriaus kasetę, jei jos nenaudojate ilgą laiką (ilgiau nei šešis mėnesius).

## SURINKIMAS

**▲JSPĖJIMAS:** Prieš pradėdami bet kokius vejaplovės techninės priežiūros, valymo arba reguliavimo darbus, visuomet būtinai ištraukite fiksavimo raktą ir išimkite akumuliatoriaus kasetę. Neištraukus fiksavimo rakto ir neišėmus akumuliatoriaus kasetės, galima sunkiai susižeisti dėl atsitiktinio įrenginio paleidimo.

**▲JSPĖJIMAS:** Niekada nepaleiskite vejaplovės, kol ji nebus visiškai sumontuota. Naudojant iš dalies sumontuotus įrankius, jie gali netyčia pasileisti ir sunkiai sužeisti.

## Rankenos montavimas

**PASTABA:** Montuodami rankenas, laidus nutieskite taip, kad niekas jų neįtrauktų tarp rankenų. Jei laidas pažeistas, vejaplovės jungiklis gali neveikti.

1. Pritvirtinkite šoninę rankeną taip, kad ant jos esančios angos tilptų j iškyšas ant vejaplovės korpuso. Įstatykite varžtus iš vidaus, tada pritvirtinkite poveržlę A iš išorės, tada priveržkite varžtus su rankenėlėmis.  
► **Pav.1:** 1. Apatinė rankena 2. Poveržlė A 3. Varžtas su rankenėle 4. Iškyša 5. Anga 6. Varžtas
2. Viršutinėje rankenoje esančią skylę sulygiuokite su skylė ant apatinės rankenos, tada įkiškite varžtus iš vidaus, tuomet įdėkite poveržlę B iš išorės, tada priveržkite varžtus su rankenėlėmis.  
► **Pav.2:** 1. Viršutinė rankena 2. Anga 3. Poveržlė B 4. Varžtas su rankenėle 5. Apatinė rankena 6. Varžtas

**▲PERSPĖJIMAS:** Tvirtai laikykite viršutinę rankenėlę, kad ji neišslystų iš rankos. Priešingu atveju rankena gali nukristi ir sužaloti.

3. Pritvirtinkite laikiklį A ir laikiklį B prie rankenos. Laidus išdėstykite, kaip parodyta paveiksle.  
► **Pav.3:** 1. Laidas 2. Laikiklis A 3. Laikiklis B

**PASTABA:** Tvirtindami laikiklį A, pritvirtinkite laidą laikikliu, kaip parodyta paveikslėlyje.

## Mulčiavimo priedo nuėmimas

Skirta DLM460

1. Atidarykite galinį dangtelį.  
► **Pav.4:** 1. Galinis dangtelis
2. Laikydami nuspaustą svirtį, nuimkite mulčiavimo priedą.  
► **Pav.5:** 1. Svirtelė 2. Mulčiavimo priedas

Skirta DLM461

1. Atidarykite galinį dangtelį.  
► **Pav.6:** 1. Galinis dangtelis
2. Traukdami svirtį, nuimkite mulčiavimo priedą.  
► **Pav.7:** 1. Mulčiavimo priedas 2. Svirtelė

## Žolės surinkimo krepšio montavimas

1. Atidarykite galinį dangtelį.  
► **Pav.8:** 1. Galinis dangtelis
2. Prikabinkite žolės krepšį ant vejaplovės strypo, kaip parodyta paveikslėlyje.  
► **Pav.9:** 1. Strypas 2. Apsauga 3. Žolės surinkimo krepšys

**PASTABA:** Patikrinkite, ar žolės krepšio apsauga yra nukreipta žemyn. Priešingu atveju žolės krepšys gali nesurinkti visos žolės.

## Mulčiavimo priedo tvirtinimas

Skirta DLM460

1. Atidarykite galinį dangtelį ir išimkite žolės surinkimo krepšį.  
► **Pav.10:** 1. Galinis dangtelis 2. Žolės surinkimo krepšys
2. Laikydami svirtelę nuspaustą, pritvirtinkite mulčiavimo priedą, kuriam užfiksuoti svirtelę atleiskite.  
► **Pav.11:** 1. Svirtelė 2. Mulčiavimo priedas

Skirta DLM461

1. Atidarykite galinį dangtelį ir išimkite žolės surinkimo krepšį.  
► **Pav.12:** 1. Galinis dangtelis 2. Žolės surinkimo krepšys
2. Traukdami svirtelę, pritvirtinkite mulčiavimo priedą, kuriam užfiksuoti svirtelę atleiskite.  
► **Pav.13:** 1. Mulčiavimo priedas 2. Svirtelė

# VEIKIMO APRAŠYMAS

## Akumulatoriaus kasetės uždėjimas ir nuėmimas

**▲ PERSPĖJIMAS:** Prieš įdėdami arba išimdami akumulatoriaus kasetę, visada išjunkite įrankį.

**▲ PERSPĖJIMAS:** Įdėdami arba išimdami akumulatoriaus kasetę, tvirtai laikykite įrankį ir akumulatoriaus kasetę. Jeigu įrankį ir akumulatoriaus kasetę laikysite netvirtai, jie gali išslysti iš jūsų rankų, todėl įrankis ir akumulatoriaus kasetė gali būti sugadinti, o naudotojas sužalotas.

**▲ PERSPĖJIMAS:** Prieš pradėdami naudoti, įsitikinkite, ar akumulatoriaus dangtelis užfiksuotas. Kitaip gali patekti purvo, nešvarumų arba vandens ir gamins arba akumulatoriaus kasetė gali sugesti.

**▲ PERSPĖJIMAS:** Akumulatoriaus kasetę visada įkiškite iki galo, kol nebematysite raudono indikatoriaus. Priešingu atveju ji gali atsitiktinai iškristi iš įrankio, sužeisti jus arba aplinkinius.

**▲ PERSPĖJIMAS:** Nekiškite akumulatoriaus kasetės jėga. Jeigu kasetė sunkiai lenda, ją kišate netinkamai.

**PASTABA:** Įrankis neveikia tik su viena akumulatoriaus kasete.

### Norėdami įdėti akumulatoriaus kasetę;

1. Ištraukite fiksavimo svirtį ir atidarykite akumulatoriaus dangtelį.

▶ **Pav.14:** 1. Akumulatoriaus skyriaus dangtelis  
2. Užrakto svirtelė

2. Sulygiuokite akumulatoriaus kasetės liežuvelį su grioveliu ir įstumkite kasetę, kad ji spragtelėdama užsifiksuotų.

▶ **Pav.15:** 1. Akumulatoriaus kasetė

3. Iki galo įkiškite fiksavimo raktą į paveikslėlyje parodytą vietą.

▶ **Pav.16:** 1. Fiksavimo raktas

4. Uždarykite akumulatoriaus skyriaus dangtelį ir spauskite jį tol, kol fiksavimo svirtis jį užsklės.

### Norėdami ištraukti akumulatoriaus kasetę iš vežapjovės;

1. Patraukite akumulatoriaus skyriaus dangtelio svirtį viršun ir atidarykite akumulatoriaus skyriaus dangtelį.

2. Stumdami mygtuką, esantį kasetės priekyje, ištraukite akumulatoriaus kasetę iš vežapjovės.

3. Ištraukite fiksavimo raktą.

4. Uždenkite akumulatoriaus skyriaus dangtelį.

## Įrankio / akumulatoriaus apsaugos sistema

Įrankyje įrengta įrankio / akumulatoriaus apsaugos sistema. Ši sistema automatiškai atjungia variklio maitinimą, kad įrankis ir akumulatorius ilgiau veiktų. Įrankis automatiškai išsijungs darbo metu esant vienai iš toliau nurodytų įrankio arba akumulatoriaus darbo sąlygų:

### Apsauga nuo perkrovos

Kai akumulatorius naudojamas taip, kad neįprastai padidėja elektros srovė, įrankis automatiškai išsijungia, o pagrindinė maitinimo lemputė žybočia žalia spalva. Tokiu atveju atleiskite įrankio gaiduką ir nutraukite darbą, dėl kurio kilo įrankio perkrova. Tada vėl įjunkite įrankį.

### Apsauga nuo perkaitimo

Jeigu įrankis arba akumulatorius perkaista, įrankis automatiškai išsijungia, o pagrindinė maitinimo lemputė dega raudona spalva. Tokiu atveju, prieš vėl įjungdami įrankį, leiskite įrankiui ir akumulatoriui atvėsti.

### Apsauga nuo visiško išsekimo

Jeigu likusios akumulatoriaus galios nepakanka, įrankis automatiškai išsijungia, o pagrindinė maitinimo lemputė žybočia raudona spalva. Tokiu atveju nuimkite akumulatorių nuo įrankio ir įkraukite akumulatoriaus kasetes arba pakeiskite akumulatoriaus kasetes visiškai įkrautomis.

## Likusios akumulatoriaus galios rodymas

### Tik akumulatoriaus kasetėms su indikatoriumi

▶ **Pav.17:** 1. Indikatorijų lemputės 2. Tikrinimo mygtukas

Paspauskite akumulatoriaus kasetės tikrinimo mygtuką, kad būtų rodoma likusi akumulatoriaus energija. Maždaug trims sekundėms užsidegs indikatorijų lemputės.

Indikatorijų lemputės			Likusi galia
Šviečia	Nešviečia	Blyksti	
			75 - 100 %
			50 - 75 %
			25 - 50 %
			0 - 25 %
			Įkraukite akumulatorių.
			Galimai įvyko akumulatoriaus veikimo triktis.

**PASTABA:** Rodmuo gali šiek tiek skirtis nuo faktinės energijos lygio – tai priklauso nuo naudojimo sąlygų ir aplinkos temperatūros.

## Valdymo pultas

Valdymo skyde yra pagrindinis maitinimo jungiklis, režimo perjungimo mygtukas ir likusios akumuliatoriaus įkrovos indikatorius.

- **Pav.18:** 1. Akumuliatoriaus indikatorius 2. Režimo perjungimo lemputė 3. Pagrindinė maitinimo lemputė 4. Tikrinimo mygtukas 5. Režimo perjungimo mygtukas 6. Pagrindinis maitinimo jungiklis

## Pagrindinis maitinimo jungiklis

**⚠️ JSPĖJIMAS:** Kai nenaudojate, visada išjunkite pagrindinį maitinimo jungiklį.

Norėdami įjungti mašiną, paspauskite pagrindinį maitinimo jungiklį. Pagrindinė maitinimo lemputė užsidega žalia spalva. Norėdami išjungti mašiną, dar kartą paspauskite pagrindinį maitinimo jungiklį.

**PASTABA:** Pagrindinei maitinimo lemputei šviečiant raudona spalva arba blyksint raudona arba žalia spalva, žr. įrankio / akumuliatoriaus apsaugos sistemos instrukcijas.




**PASTABA:** Ši mašina turi automatinio išjungimo funkciją. Siekiant išvengti atsitiktinio paleidimo, pagrindinis maitinimo jungiklis automatiškai išsijungia, kai svirtis nėra patraukiama tam tikrą laiką tarp po to, kai įjungiamas pagrindinis maitinimo jungiklis.

## Režimo perjungimo mygtukas

Darbo režimą galite perjungti, paspausdami režimo perjungimo mygtuką. Kai mašina įjungta, mašina pasileidžia įprastu režimu. Paspaudus režimo perjungimo mygtuką, mašina pereina į energijos taupymo režimą, o režimo perjungimo lemputė dega žaliai. Energijos taupymo režimu galite sumažinti pjovimo triukšmą. Dar kartą paspaudus režimo perjungimo mygtuką, mašina grįš į įprastą režimą.

## Likusios akumuliatoriaus galios rodymas

Paspauskite tikrinimo mygtuką, kad būtų rodoma likusi akumuliatoriaus energija. Akumuliatorių indikatorius parodo atitinkamo akumuliatoriaus galią.

Akumuliatoriaus indikatorius būseną		Likusi akumuliatorių galia
Šviečia	Nešviečia	
		50–100 %
		20 - 50 %
		0 - 20 %

## Jungiklio veikimas

**⚠️ JSPĖJIMAS:** Prieš įdėdami akumuliatoriaus kasetę, visada patikrinkite, ar svirtinis jungiklis veikia tinkamai, o atleistas sugrįžta į pradinę padėtį. Naudojant įrankį, kurio gaidukas netinkamai veikia, galima prarasti kontrolę ir sunkiai susižaloti.

**PASTABA:** Nepaspaudus įjungimo mygtuko, vejąpovė nepasileidžia net ir patraukus už svirtinio jungiklio.

**PASTABA:** Vejąpovės variklis gali būti neužvestas dėl perkrovos, kai vienu metu pjaunate ilgai ar tankią žolę. Tokiu atveju padidinkite pjovimo aukštį.

Šioje vejąpovėje įrengtas blokavimo jungiklis ir rankenos jungiklis. Jeigu pastebėtumėte, kad kuris nors iš šių jungiklių veikia neįprastai, tuoj pat nutraukite darbą bei pasirūpinkite, kad jie būtų patikrinti artimiausiame „Makita“ įgaliotajame techninės priežiūros centre.

1. Įdėkite akumuliatoriaus kasetes. Įkiškite fiksavimo raktą į blokavimo jungiklį, tada uždenkite akumuliatoriaus skyriaus gaubtą.
2. Paspauskite pagrindinį maitinimo jungiklį.
3. Paspauskite mygtuką ir jį palaikykite.
4. Suimkite už viršutinės rankenos ir patraukite už svirtinio jungiklio.

- **Pav.19:** 1. Mygtukas 2. Viršutinė rankena 3. Svirtinis jungiklis

**PASTABA:** Jei blokavimo raktelis neįkištas, patraukus perjungimo svirtį, sumirksi maitinimo lemputė.

5. Kai tik variklis pasileidžia, įjungimo mygtuką atleiskite. Vejąpovė veiks, kol neatleisite svirtinio jungiklio.
6. Jeigu norite išjungti variklį, atleiskite svirtinį jungiklį.

## Žolės pjovimo aukščio reguliavimas

**⚠️ JSPĖJIMAS:** Reguluodami žolės pjovimo aukštį, niekada nekiškite rankų ar kojų po vejąpovės korpusu.

**⚠️ JSPĖJIMAS:** Prieš pradėdami darbą, visada įsitikinkite, ar svirtis tinkamai įtaisyta griovelyje.

### Skirta DLM460

Žolės pjovimo aukštį galima reguliuoti nuo 20 mm iki 75 mm.

### Skirta DLM461

Žolės pjovimo aukštį galima reguliuoti nuo 16 mm iki 71 mm.

Ištraukite blokavimo raktelį, tada traukite pjovimo aukščio reguliavimo svirtelę vejąpovės korpuso išorėje ir nustatykite į norimą pjovimo aukštį.

- **Pav.20:** 1. Pjovimo aukščio reguliavimo svirtis

Viena ranka laikykite priekinę rankeną, o kita ranka stumkite pjovimo aukščio reguliavimo svirtelę.

- **Pav.21:** 1. Pjovimo aukščio reguliavimo svirtis 2. Priekinė rankena

**PASTABA:** Žolės pjovimo aukščio paveikslėliai yra tik orientacinio pobūdžio. Atsižvelgiant į vejos ar žemės paviršiaus sąlygas, faktinis vejos aukštis gali šiek tiek skirtis nuo nustatytojo.

**PASTABA:** Pradžioje pabandykite pjauti žolę mažiau pastebimoje vietoje, kad nustatytumėte pageidaujamą aukštį.

## Rankenos aukščio reguliavimas

**▲ PERSPĖJIMAS:** Prieš atsukdami varžtus, tvirtai suimkite už viršutinės rankenos. Priešingu atveju rankena gali nukristi ir sužaloti.

Rankenos aukštį galima nustatyti į tris lygius.

1. Atlaisvinkite apatinės rankenos varžtus su rankenėle, tada nuimkite varžtus, poveržles ir varžtus su rankenėle.

► **Pav.22:** 1. Varžtas su rankenėle 2. Poveržlė 3. Varžtas

2. Nustatykite rankenos aukštį.

3. Įstatykite varžtus iš vidaus, tada pritvirtinkite poveržles iš išorės, tada priveržkite varžtus su rankenėlėmis.

## Mulčiavimo priedo naudojimas

Mulčiavimo priedas leidžia grąžinti nupjautą žolę ant žemės paviršiaus, kad ji nesikaupytų žolės surinkimo krepšyje. Įrenginį naudojant su mulčiavimo priedu būtina nuimti žolės surinkimo krepšį.

## Elektroninė funkcija

Mašina turi paprastas naudoti elektronines funkcijas.

- Nuolatinis greičio reguliavimas  
Elektroninis greičio reguliavimas pastoviam greičiui užtikrinti. Galima tiksliai nušlifuoti paviršių, nes sukimosi greitis būna vienodas, net esant didelei apkrovai.
- Švelnus paleidimas  
Švelnaus paleidimo funkcija iki minimumo sumažina paleidimo smūgį ir leidžia sklandžiai paleisti mašiną.

## NAUDOJIMAS

### Žolės pjovimas

**▲ JSPĖJIMAS:** Prieš pradėdami pjauti žolę, surinkite nuo vejos šakas ir akmenis. Prieš pradėdami pjauti žolę, taip pat ištraukite visas piktžoles.

**▲ JSPĖJIMAS:** Naudodami vejapjovę, visada dėvėkite apsauginius akinius arba apsauginius akinius su šoniniais apsauginiais skydais.

**▲ PERSPĖJIMAS:** Jei nupjauta žolė ar svetimkūnis užblokuoja vejapjovės korpuso vidų, prieš pašalindami žolę ar svetimkūnį, būtinai nuimkite blokavimo raktą ir akumulatoriaus kasetę ir šalinami žolę ar svetimkūnį mėvėkite pirštines.

**PASTABA:** Įrenginį naudokite tik vejai pjauti. Šiuo įrenginiu nepjaukite piktžolių.

► **Pav.23**

Pjaudami žolę, tvirtai abiem rankomis laikykite rankeną. Pjovimo greičio orientyras yra maždaug 1 metras per 4 sekundes.

► **Pav.24**

Priekinių ratų vidurio linijos yra pjovimo pločio orientyrai. Vadovaudamiesi vidurinio linijomis kaip orientyrais, pjaukite juostomis. Norėdami tolygiai nupjauti veją, pjaudami naują juostą, perdenkite nuo pusės iki trečdalio ankstesnės juostos.

► **Pav.25:** 1. Pjovimo plotis 2. Persidengianti sritis 3. Vidurio linija

Kaskart pakeiskite pjovimo kryptį, kad vejos pjovimo raštas nesusiformuotų tik viena kryptimi.

► **Pav.26**

Reguliariai tikrinkite nupjautos žolės surinkimo krepšį. Ištuštinkite krepšį, kol jis dar nėra pilnas. Prieš kiekvieną reguliarią patikrinimą būtinai sustabdykite vejapjovę, tada ištraukite fiksavimo raktą ir akumulatoriaus kasetę.

**PASTABA:** Naudojant vejapjovę su pilnu žolės surinkimo krepšiu, peiliai negali tolygiai sukstis, o varikliui tenka papildoma apkrova, todėl jis gali sugesti.

## Aukštos žolės pjovimas

Nebandykite nupjauti aukštos žolės per vieną kartą. Vietoj to pjaukite žolę etapais. Tarp pjovimų darykite vienos arba dviejų dienų pertraukas, kol žolė bus tolygiai trumpai nupjauta.

► **Pav.27**

**PASTABA:** Nupjovus ilgą žolę iki trumpo ilgio per vieną kartą, ji gali nuvysti. Nupjauta žolė taip pat gali susikaupti vejapjovės korpuse.

## Žolės surinkimo krepšio ištuštinimas

**▲ JSPĖJIMAS:** Norėdami sumažinti nelaimingų atsitikimų pavojų, reguliariai tikrinkite žolės surinkimo krepšį, ar jis nesugadintas arba nesusilpnėjęs. Jei reikia, pakeiskite žolės surinkimo krepšį.

1. Atleiskite svirtinį jungiklį.
  2. Ištraukite fiksavimo raktą.
  3. Atidarykite galinį gaubtą ir nuimkite žolės surinkimo krepšį, suėmę jį už jo rankenos.
- **Pav.28:** 1. Galinis dangtelis 2. Rankena 3. Žolės surinkimo krepšys
4. Išpilkite žolę iš žolės surinkimo krepšio.

## TECHNINĖ PRIEŽIŪRA

**▲ JSPĖJIMAS:** Prieš pastatydami vejapjovę į vietą arba ją nešdami, prieš pradėdami jos tikrinimo arba techninės priežiūros darbus, visuomet įsitikinkite, ar blokavimo raktas ištrauktas, o akumulatoriaus kasetė išimta.

**▲ JSPĖJIMAS:** Kai vejapjovės nenaudojate, visada išimkite fiksavimo raktą. Fiksavimo raktą laikykite saugioje, vaikams nepasiekiamoje vietoje.

**▲ JSPĖJIMAS:** Atlikdami patikrinimo arba techninės priežiūros darbus, mėvėkite pirštines.

**▲ JSPĖJIMAS:** Naudodami arba prižiūrėdami vejapjovę, visada dėvėkite apsauginius akinius arba apsauginius akinius su šoniniais apsauginiais skydais.

**PASTABA:** Niekada nenaudokite gazolino, benzino, tirpiklio, spirito arba panašių medžiagų. Gali atsirasti išblukimų, deformacijų arba įtrūkimų.

Kad gaminyt būtų SAUGUS ir PATIKIMAS, jį taisyti, apžiūrėti ar vykdyti bet kokią kitą priežiūrą ar derinimą turi įgaliojasis kompanijos „Makita“ techninės priežiūros centras; reikia naudoti tik kompanijos „Makita“ pagamintą atsarginę dalis.

## Priežiūra

1. Ištraukite blokavimo raktą ir akumulatoriaus kasetes, tada uždenkite akumulatoriaus skyriaus gaubtą.
2. Padėkite vejąpovę ant šono ir nuvalykite žolės nuopjovas, susikaupusias vejąpovės dugno apačioje.
3. Pilkite vandenį mašinos apačios link, kur pritvirtintas peilis.

**PASTABA:** Neplaukite mašinos aukšto slėgio vandeniu.

4. Patikrinkite, ar tvirtai priveržtos visos veržlės, sraigčiai, rankenėlės, varžtai, tvirtinimo dalys ir pan.
5. Apžiūrėkite visas judamąsias dalis, ar jos nėra sugadintos, sulūžusios ar nusidėvėjusios. Sugadintas arba trūkstamas dalis reikia remontuoti arba keisti naujomis.
6. Vejąpovę laikykite saugioje, vaikams nepasiekiamoje vietoje.

## Vejąpovės nešimas

Nešant vejąpovę, priekinę rankeną ir apatinę rankeną turi laikyti du žmonės, kaip parodyta paveikslėlyje.

- **Pav.29:** 1. Apatinė rankena 2. Priekinė rankena

## Laikymas

Laikykite vejąpovę vėsioje, sausoje, rakinamoje patalpoje. Nelaiykite vejąpovės ir akumulatoriaus kasetės vietoje, kur temperatūra gali pasiekti ar viršyti 40 °C (104 °F).

1. Atidarykite galinį gaubtą ir nuimkite žolės surinkimo krepšį, suėmę jį už jo rankenos.  
► **Pav.30:** 1. Galinis dangtelis 2. Rankena 3. Žolės surinkimo krepšys
2. Atlaisvinkite varžtus su rankenėle ir nulenkite viršutinę rankeną.  
► **Pav.31:** 1. Viršutinė rankena 2. Varžtas su rankenėle

## Vejąpovės peilio uždėjimas ir nuėmimas

**⚠️ JSPĖJIMAS:** Nuimdami arba montuodami peilį, visada ištraukite fiksavimo raktą ir akumulatoriaus kasetę. Neištraukus fiksavimo rakto ir akumulatoriaus kasetės, galima sunkiai susižeisti.

**⚠️ JSPĖJIMAS:** Atleidus jungiklį, peilis sukasi iš inercijos dar kelias sekundes. Kol peilis visiškai nesustojo, nepradėkite dirbti.

**⚠️ JSPĖJIMAS:** Montuodami peilį, visuomet mūvėkite pirštines.

## Vejąpovės peilio nuėmimas

### Skirta DLM460

1. Paverskite vejąpovę ant šono taip, kad žolės pjovimo aukščio reguliavimo svirtis būtų viršuje.
2. Norėdami užfiksuoti peilį, įkiškite į vejąpovę rąstą ar panašų daiktą.
3. Veržliarakčiu sukite varžtą prieš laikrodžio rodyklę.  
► **Pav.32:** 1. Vejąpovės peilis 2. Veržliaraktis 3. Rąstas
4. Eilės tvarka nuimkite varžtą, poveržlę ir vejąpovės peilį.  
► **Pav.33:** 1. Vejąpovės peilis 2. Poveržlė 3. Varžtas

### Skirta DLM461

1. Paverskite vejąpovę ant šono taip, kad žolės pjovimo aukščio reguliavimo svirtis būtų viršuje.
2. Laikydami pagrindo plokštę, pasukite varžtą prieš laikrodžio rodyklę.  
► **Pav.34:** 1. Veržliaraktis 2. Pagrindo plokštelė
3. Eilės tvarka nuimkite varžtą, poveržlę ir pagrindo plokštę.  
► **Pav.35:** 1. Pagrindo plokštelė 2. Poveržlė 3. Varžtas
4. Norėdami nuimti atskirą peilį, laikydami pagrindo plokštę pasukite varžtą prieš laikrodžio rodyklę.  
► **Pav.36:** 1. Pagrindo plokštelė 2. Vejąpovės peilis 3. Veržliaraktis

## Vejąpovės peilio įdėjimas

Jei norite sumontuoti vejąpovės peilį, vykdykite nuėmimo procedūrą atvirkščia tvarka.

**⚠️ JSPĖJIMAS:** Atsargiai sumontuokite peilį. Jis turi viršutinę ir apatinę puses. Nustatykite peilį taip, kad sukimosi krypties rodyklė būtų nukreipta į išorę.

**⚠️ JSPĖJIMAS:** Tvirtai užveržkite sraigta, sukdami jį pagal laikrodžio rodyklę, kad užtvirtintumėte peilį.

**⚠️ JSPĖJIMAS:** Įsitinkinkite, ar peilis ir visos fiksavimo dalys pritvirtinti tinkamai ir gerai priveržti.

**⚠️ JSPĖJIMAS:** Peilius visada keiskite laikydamiesi šiamo vadove pateiktų instrukcijų.

### Skirta DLM461

**PASTABA:** Kai montuojate vejąpovės peilį, stumkite jį, kaip parodyta paveiksle, kad iškyšos itmu jį liesti.

- **Pav.37:** 1. Iškyša 2. Vejąpovės peilis

# GEDIMŲ ŠALINIMAS

Prieš kreipdamiesi dėl remonto darbų, pirmiausia patikrinkite gedimus patys. Kilus problemų, apie kurias nepaaiškinta vartotojo vadove, nemėginkite ardyti įrankio. Kreipkitės į įgaliotuosius „Makita“ techninės priežiūros centrus, kuriuose remontui visuomet naudojamos originalios „Makita“ keičiamosios dalys.

Neįprasta būklė	Tikėtina priežastis (triktis)	Ištaisomoji priemonė
Vejapjovė nepaleidžiama.	Nejdėtos dvi akumuliatoriaus kasetės.	Įdėkite įkrauto akumuliatoriaus kasetes.
	Akumuliatoriaus problema (per maža įtampa)	Įkraukite akumuliatoriaus kasetę. Jei įkrauti nepavyksta, pakeiskite akumuliatoriaus kasetę.
	Nejdėtas fiksavimo raktas.	Įkiškite fiksavimo raktą.
Po trumpo naudojimo variklis nustoja veikti.	Žemas akumuliatoriaus įkrovos lygis.	Įkraukite akumuliatoriaus kasetę. Jei įkrauti nepavyksta, pakeiskite akumuliatoriaus kasetę.
	Pjovimo aukštis per mažas.	Padidinkite pjovimo aukštį.
Variklis nepasiekia didžiausių apsisukimų per minutę.	Netinkamai įdėta akumuliatoriaus kasetė.	Akumuliatoriaus kasetę įdėkite, kaip aprašyta šiame vadove.
	Akumuliatoriaus galia mažėja.	Įkraukite akumuliatoriaus kasetę. Jei įkrauti nepavyksta, pakeiskite akumuliatoriaus kasetę.
	Netinkamai veikia pavaros sistema.	Dėl remonto kreipkitės į vietinį įgaliotąjį techninės priežiūros centrą.
Nesisuka pjovimo įrankis: ⇒ nedelsdami sustabdykite vejapjovę!	Šalia peilio įstrigo pašalinis objektas, pvz., šaka.	Pašalinkite pašalinį objektą.
	Netinkamai veikia pavaros sistema.	Dėl remonto kreipkitės į vietinį įgaliotąjį techninės priežiūros centrą.
Neįprasta vibracija: ⇒ nedelsdami sustabdykite vejapjovę!	Peilis nesubalansuotas, pernelyg ar netolygiai nusidėvėjęs.	Pakeiskite peilį.

## PASIRENKAMI PRIEDAI

**⚠ PERSPĖJIMAS:** Šiuos papildomus priedus arba įtaisus rekomenduojama naudoti su šioje instrukcijoje nurodytu „Makita“ bendrovės įrankiu. Naudojant bet kokius kitus papildomus priedus arba įtaisus, gali kilti pavojus sužeisti žmones. Naudokite tik nurodytam tikslui skirtus papildomus priedus arba įtaisus.

Jeigu norite daugiau sužinoti apie tuos priedus, kreipkitės į artimiausią „Makita“ techninės priežiūros centrą.

- Vejapjovės peilis
- Originalūs „Makita“ akumuliatoriai ir įkroviklis

**PASTABA:** Kai kurie sąrašė esantys priedai gali būti pateikti įrankio pakuotėje kaip standartiniai priedai. Jie įvairiose šalyse gali skirtis.

## TEHNILISED ANDMED

Mudel:	DLM460	DLM461
Niitmislaius (tera läbimõõt)	460 mm	
Koormuseta kiirus	2 500 min <sup>-1</sup>	
Suurim kiirus	3 300 min <sup>-1</sup>	
Vahetatava niiduki tera osa number	199367-2	199368-0
Mõõtmed (P × L × K)	töötamise ajal	P: 1 319 mm kuni 1 518 mm L: 532 mm K: 879 mm kuni 1 138 mm
	hoiustatult (ilma murukogujata)	P: 1 004 mm kuni 1 125 mm L: 532 mm K: 533 mm kuni 713 mm
Nimipinge	Alalisvool 36 V	
Netokaal	25,3 - 27,6 kg	26,6 - 28,4 kg
Kaitseaste	IPX4	

- Meie pideva uuringu- ja arendusprogrammi tõttu võidakse tehnilisi andmeid muuta ilma sellest ette teatamata.
- Tehnilised andmed ja akukassett võivad riigiti erineda.
- Kaal võib erineda olenevalt lisaseadistest, kaasa arvatud akukassetist. Kerget ja raskeim kombinatsioon EPTA-protseduuri 01/2014 kohaselt on toodud tabelis.

### Sobiv akukassett

BL1815N / BL1820 / BL1820B / BL1830 / BL1830B / BL1840 / BL1840B / BL1850 / BL1850B / BL1860B


- Mõned eespool loetletud akukassetid ei pruugi olla teie riigis saadaval.


**⚠ HOIATUS: Kasutage ainult ülalpool loetletud akukasseid.** Muude akukassetide kasutamine võib tekitada vigastusi ja/või tulekahju.


## Sümbolid


Alljärgnevalt kirjeldatakse seadmetel kasutatavaid tingimärke. Veenduge, et olete nende tähendusest aru saanud enne seadme kasutamist.


 Olge äärmiselt ettevaatlik ja tähelepanelik.

 Lugege juhendit.

 Ohtlik; pidage silmas õhkupaiskuvaid objekte.

 Seadme ja kõrvalseisjate vaheline vahekaugus peab olema vähemalt 15 m.

 Ärge pange kunagi käsi või jalgu niiduki all oleva tera lähedusse. Terad jätkavad pöörlemist ka pärast mootori väljalülitamist.

 Eemaldage lukustusvõti enne niiduki kontrollimist, reguleerimist, puhastamist, hooldamist, järelevalveta jätmist ja hoiustamist.



Ainult EL-i riikide puhul  
Ärge visake elektriseadmeid ja akusid ära koos majapidamisjäätmetega!  
Vastavalt Euroopa Parlamendi ja Nõukogu direktiividele elektri- ja elektroonikaseadmete jäätmete kohta ning patareide ja akude ning patarei- ja akujäätmete kohta ning nende nõuete kohaldamisele liikmesriikides tuleb kasutuskõlbmatuks muutunud elektriseadmed ja akud koguda eraldi ning keskkonnasäästlikult korduv kasutada või ringlusse võtta.

## Kavandatud kasutus

Tööriist on ette nähtud muru niitmiseks.

## Müra

Tüüpiline A-korrigeeritud müratase, määratud standardi EN60335-2-77 kohaselt:

### Mudel DLM460

Helirõhutase ( $L_{pA}$ ): 79 dB (A)  
Helivõimsuse tase ( $L_{WA}$ ): 91 dB (A)  
Määramatus (K): 3,4 dB (A)

Töötamisel võib müratase ületada 80 dB (A).



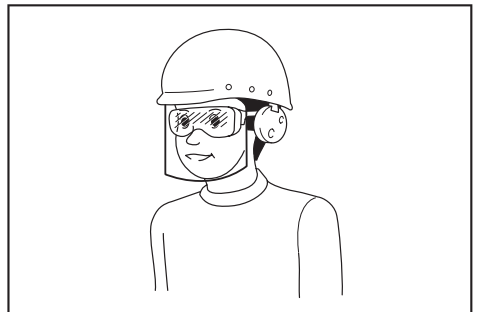
# OHUTUSHOIATUSED

## Muruniiduki ohutusjuhised

**⚠HOIATUS:** Lugege läbi kõik ohutushoiatused ja juhtnõõrid. Hoiatuste ja juhtnõõride mittejärgmine võib põhjustada elektrišokki, tulekahju ja/või tõsiseid vigastusi.

## Hoidke edaspidisteks viide- teks alles kõik hoiatused ja juhtnõõrid.

1. Äрге sisestage lukustusvõtit niidukisse, kuni see pole kasutamiseks valmis.
2. Jälgige, et lapsed niidukiga ei mängiks.
3. Mitte mingil juhul ärge lubage niidukit kasutada lastel ega isikutel, kes pole tutvunud kasutusjuhendiga. Kohalikud määrad võivad seada piiranguid kasutaja vanusele.
4. Äрге kunagi kasutage niidukit siis, kui läheduses viibivad inimesed (eriti lapsed) või lemmikloomad.
5. Pidage meeles, et muruniiduki omanik või kasutaja vastutab teistele isikutele põhjustatud vigastuste või nende varale tekitatud kahjustuste eest.
6. Kandke niidukiga töötamise ajal alati tugevaid jalatseid ja pikki pükse. Äрге töötage niidukiga, kui olete paljajalu või kannate lahtisi sandaale. Vältige liiga avarate ja rippuvate lipsude või nõõridega riiete või ehete kandmist. Need võivad liikuvate osade vahele kinni jääda.
7. Kandke elektritööriistu kasutades oma silmade vigastuste eest kaitsmiseks alati kaitseprille. Prillid peavad vastama USA-s standardile ANSI Z87.1, Euroopas standardile EN 166 või Austraalias/Uus-Meremaal standardile AS/NZS 1336. Austraalias/Uus-Meremaal on näo kaitsmiseks seadusega nõutud ka näokaitsme kasutamine.



- Tööandja kohustus on nõuda, et tööriista operaatorid ja teised tööpiirkonnas viibivad isikud kannaksid sobivat ohutusvarustust.
8. Töötage niidukiga ainult päeval valguses või hea tehisvalgustuse olemasolul.
  9. Vältige niiduki kasutamist märjas rohus.

**MÄRKUS:** Deklareeritud müra väärtust (väärtuseid) on mõõdetud kooskõlas standardse katsemeetodiga ning seda võib kasutada ühe seadme võrdlemiseks teisega.

**MÄRKUS:** Deklareeritud müra väärtust (väärtuseid) võib kasutada ka mürataseme esmaseks hindamiseks.

**⚠HOIATUS:** Kasutage kõrvakaitsmeid.

**⚠HOIATUS:** Müratase võib elektritööriista tegelikkuses kasutamise ajal erineda deklareeritud väärtus(t)est olenevalt tööriista kasutusviisidest ja eriti töödeldavast toorikust.

**⚠HOIATUS:** Rakendage operaatori kaitsmiseks kindlasti piisavaid ohutusabinõusid, mis põhinevad hinnangulisel müratasemel tegelikus töösihtuolus (võttes arvesse tööperioodi kõiki osasid, näiteks korrad, kui seade lülitatakse välja ja seade töötab tühikäigul, lisaks tööajale).

## Vibratsioon

Vibratsiooni koguväärtus (kolmeteljeliste vektorite summa) määratud standardi EN60335-2-77 kohaselt:

### Mudel DLM460

Vibratsiooniindeksi ( $a_h$ ): 2,5 m/s<sup>2</sup> või vähem  
Määramatus (K): 1,5 m/s<sup>2</sup>

**MÄRKUS:** Deklareeritud vibratsiooni koguväärtust (-väärtuseid) on mõõdetud kooskõlas standardse katsemeetodiga ning seda võib kasutada ühe seadme võrdlemiseks teisega.

**MÄRKUS:** Deklareeritud vibratsiooni koguväärtust (-väärtuseid) võib kasutada ka mürataseme esmaseks hindamiseks.

**⚠HOIATUS:** Vibratsioonitase võib elektritööriista tegelikkuses kasutamise ajal erineda deklareeritud väärtus(t)est olenevalt tööriista kasutusviisidest ja eriti töödeldavast toorikust.

**⚠HOIATUS:** Rakendage operaatori kaitsmiseks kindlasti piisavaid ohutusabinõusid, mis põhinevad hinnangulisel müratasemel tegelikus töösihtuolus (võttes arvesse tööperioodi kõiki osasid, näiteks korrad, kui seade lülitatakse välja ja seade töötab tühikäigul, lisaks tööajale).

## EÜ vastavusdeklaratsioon

### Ainult Euroopa riikide puhul

EÜ vastavusdeklaratsioon sisaldub käesoleva juhendi Lisas A.

10. **Akuga tööriista kasutamine ja hooldus**  
- Laadige ainult tootja ette nähtud laadijaga. Üht tüüpi akukassetti laadimiseks mõeldud laadija kasutamine teist tüüpi akukassetti laadimiseks võib põhjustada tuleohtu.  
- **Kasutage elektriseadmetega ainult selleks ette nähtud akukassette.** Muud tüüpi akukassettide kasutamine võib põhjustada vigastus- ja tuleohtu.  
- **Kui akukassetti ei kasutata, siis hoidke seda eraldi muudest metalliesemetest, näiteks kirjaklambrid, mündid, võtmed, naelad, kruvid jm väikesed metalliesemed, mis võivad tekitada ühenduse klemmide vahel.** Akuklemmide lühis võib põhjustada põletusi ja tulekahjuohtu.  
- **Väärkasutamise tagajärjel võib akust välja valguda vedelikku, ärge seda puudutage.** Kui olete selle vedelikku siiski kogemata kokku puutunud, uhtke kohta veega. Kui vedelik on sattunud silma, minge arsti juurde. Akust väljavalgunud vedelik võib põhjustada ärritust ja põletusi.  
- **Ärge visake kasutatud akut (akusid) tulle.** Element võib plahvatada. Kasutatud akude käitlemise võimalikud erinõuded leiate vastavasisulisest kohalikkest eeskirjadest.  
- **Akut (akusid) ei tohi avada ega vigastada.** Väljavalgunud elektrolüüt on söövitava toimega ning võib kahjustada silmi ja nahka. See võib osutada allaneelamisel mürgiseks.  
- **Ärge laadige akut vihma käes ega märjas keskkonnas.**
11. **Hoidke alati käepidemest kindlalt kinni.**
12. **Jälgige kallakutel alati, et teil oleks kindel jalgealune.**
13. **Kõndige, ärge jookske.**
14. **Ärge haarake niidukit hoides või üles tõstes katmata lõiketeradest või -servadest.**
15. **Füüsiline seisund – ärge kasutage niidukit, kui olete uimastite, alkoholi või ravimite mõju all.**
16. **Hoidke käed ja jalad pöörlevatest lõiketeradest eemal. Ettevaatust! Toite väljalülitamise järel pöörlevad terad vaba hooga edasi.**
17. **Kasutage ainult juhendis kirjeldatud tootja originaallõiketeri.**
18. **Kontrollige lõiketerasid või terapolte enne kasutamist hoolikalt mõrade või kahjustuste suhtes. Vahetage mõranenud või kahjustatud lõiketerad või lõiketerade poldid kohe välja.**
19. **Enne niitmise alustamist veenduge, et niidetaval alal poleks teisi inimesi. Seisake niiduk, kui keegi siseneb niidetavale alale.**
20. **Eemaldage võõrkehaded (nt kivid, traadijupid, pudelid, luud ja suuremad oksad) niidetavalt alalt enne niitmise alustamist, et vältida tervisekahjustusi ja niiduki kahjustamist.**
21. **Kui märkate midagi ebataolist, lõpetage kohe töö. Lülitage niiduk välja ja eemaldage võti. Seejärel kontrollige niidukit.**
22. **Kui niidukil on lõikekõrguse reguleerimise võimalus, ärge püüdke reguleerida niitmiskõrgust niiduki töötamise ajal.**
23. **Vabastage hooblüliti ja oodake lõiketera seisumist, enne kui sõidate niidukiga üle sisesõiduteede, kõnniteede, teede või kruusaga kaetud alade. Samuti eemaldage lukustusvõti, kui lahkute niiduki juures, kõnnitate midagi oma teelt üles võtma või eemaldama, või mõne muu põhjuse korral, mis ei lase teil oma tegevusele keskenduda.**
24. **Kui niiduki lõiketera tabab mõnda eset, võib see põhjustada tõsiseid tervisekahjustusi. Muru tuleb enne niitmist alati tähelepanelikult kontrollida ja kõigist esemetest puhastada.**
25. **Kui niiduki lõiketera tabab võõrkeha, toimige järgmiselt:**  
- **Peatage niiduk, vabastage hooblüliti ja oodake, kuni lõiketera on täielikult seiskunud.**  
- **Eemaldage lukustusvõti ja akukassett.**  
- **Kontrollige niidukit põhjalikult igasuguste kahjustuste suhtes.**  
- **Vahetage lõiketera välja, kui see on mingil moel kahjustada saanud. Enne niiduki taasikäivitamist ja töö jätkamist parandage kõik kahjustused.**
26. **Kontrollige murukogurit sageli kulumise või muul viisil kahjustumise suhtes. Enne hoiustamist veenduge alati, et murukogur oleks tühi. Ohutuse tagamiseks asendage kulunud murukogur alati tootja originaalosaga.**
27. **Olge eriti ettevaatlik niidukit tagurpidi liigutades või enda poole tõmmates.**
28. **Seisake lõiketera(d), kui niidukit tuleb kallutada, et liikuda üle alade, mis ei ole muruga kaetud, ning siis, kui viite niidukit niitmisalale või sealt ära.**
29. **Ärge kasutage kunagi niidukit, mille kaitsekatted on defektset või mille ohutusseadised (nt suunaja ja/või murukogur) on eemaldatud.**
30. **Niiduki sisselülitamisel järgige tähelepanelikult juhtnööre ja hoidke jalad lõiketera(de)st eemal.**
31. **Ärge kallutage niidukit, kui mootorit sisse lülitate, v.a juhul, kui see on käivitamiseks vajalik. Sellisel juhul ärge kallutage niidukit rohkem kui vaja ning tõstke ainult seda osa, mis jääb kasutajast eemale.**
32. **Ärge seisake seadet käivitamise ajal väljaviskeava ees.**
33. **Ärge pange käsi ja jalgu pöörlevate osade lähedale ega nende alla. Hoidke väljaviskeava alati takistustest puhtana.**
34. **Ärge transportige niidukit, kui see on sisse lülitatud.**
35. **Seisake niiduk ja eemaldage blokeerimiseadis. Veenduge, et kõik liikuvad osad oleks täielikult peatunud**  
- **alati, kui niiduki juurest lahkute;**  
- **enne niidukist takistuste või väljaviskerennist ummistuste eemaldamist;**  
- **enne niiduki kontrollimist, puhastamist või hooldamist;**  
- **pärast seda, kui lõiketera on võõrkeha tabanud. Kontrollige niidukit kahjustuste suhtes ning tehke kõik vajalikud remonditööd enne selle taaskäivitamist ja niitmise jätkamist.**
36. **Kui niiduk hakkab ebanormaalselt vibreerima, siis**  
- **kontrollige seda kohe kahjustuste suhtes;**  
- **asendage või parandage kõik kahjustunud osad;**  
- **kontrollige osade pingust ja pinguldage lahitud osad.**
37. **Olge niiduki reguleerimisel ettevaatlik, et vältida sõrmede muljumist niiduki fikseeritud osade ja liikuvate lõiketerade vahele.**

38. Niitke kallakuid küljelt küljele ja mitte kunagi ülevalt alla või alt üles. Olge kallakutel liikumissuunda muutes äärmiselt ettevaatlik. Ärge niitke liiga järskudel kallakutel.
39. Kontrollige lõiketera fiksaatorpolti regulaarselt korrekse pinguse suhtes.
40. Seadme ohutu talitluse tagamiseks hoidke kõik mutrid, poldid ja kruvid tugevasti pinguldatusena.
41. Laske niidukil alati enne hoiustamist maha jahtuda.
42. Olge lõiketerade hooldamisel teadlik sellest, et kuigi toide on välja lülitatud, võivad lõiketerad siiski liikuda.
43. Ohutuse tagamiseks vahetage kulunud või kahjustunud osad uute vastu. Kasutage ainult originaalvaruosid ja -tarvikuid.
44. Ärge kasutage masinat äikesooh korral.
45. Masina kasutamisel porisel, libedal maapinnal või märjal kallakul pöörake tähelepanu kindlale jalgealusele.
46. Vältige töötamist halvas keskkonnas, kus kasutaja suurem väsimine on oodatav.
47. Ärge kasutage masinat halva ilmaga, kus nähtavus on piiratud. Muidu võib halb nähtavus põhjustada kukkumise või vale tegevuse.
48. Ärge vahetage akut vihma käes.
49. Ärge ajage masinat sügavale lompi.
50. Ärge jätke masinat järelevalveta vihma kätte.
51. Ärge sisestage ega eemaldage lukustusvõtit vihma käes.
52. Kui märjad lehed või praht jäävad vihma tõttu imiavasse (tuulutusaken) kinni, siis eemaldage need.
53. Ärge peske masinat kõrgsurvepesuriga.
54. Masina pesemise ajaks eemaldage aku ja lukustusvõti ning sulgege akukate. Valage vett masina põhja suunas, kuhu on kinnitatud lõiketera.
55. Masina hoiule panemisel vältige otsest päikesevalgust ja vihma ning see ei tohiks muutuda hoiukohas liiga kuumaks ega niiskeks.
56. Kontrollige ja hooldage masinat vihma eest kaitstud kohas.
57. Pärast masina kasutamist eemaldage kinnitud mustus ja kuivatage masin täielikult enne hoiundamist. Aastaajast või piirkonnast olenevalt võib külmumine tõrkeid põhjustada.
58. Ärge tehke aku kontakte vee või vedelikuga märjaks ega pange akut vee alla. Ärge jätke akut vihma kätte, samuti ärge laadige, kasutage ega hoiustage akut niiskes või märjas kohas. Kui aku kontakt saab märjaks või vedelik tungib aku sisse, võib aku lühistuda ning tekkida ülekuumenemise, süttimise või plahvatuse oht.
59. Pärast masinast või laadijast aku eemaldamist kinnitage akukate kindlasti akule ja hoidke akut kuivas kohas.
60. Ärge vahetage akut märgade kätega.
61. Ärge kasutage masinat lumes.
62. Kui niidetud muru on märg, ummistub see tõenäoliselt masina sisse. Kontrollige regulaarselt masina seisukorda ja eemaldage vajaduse korral sinna kinni jäänud muru.

## HOIDKE JUHEND ALLES.

**▲HOIATUS:** ÄRGE UNUSTAGE järgida toote ohutusnõudeid mugavuse või toote (korduskasutamise)ga saavutatud) hea tundmise tõttu.

**VALE KASUTUS** või kasutusjuhendi ohutuseeskirjade eiramine võib põhjustada tervisekahjustusi.

## Akukassetiga seotud olulised ohutusjuhendid

1. Enne akukasseti kasutamist lugege (1) akulaadil, (2) akul ja (3) seadmel olevad juhtnõuad ja hoiatused läbi.
2. Ärge võtke akukassetti lahti.
3. Kui tööaeg järsult lüheneb, siis lõpetage kohe kasutamine. Edasise kasutamise tulemuseks võib olla ülekuumenemisoht, võimalikud põletused või isegi plahvatus.
4. Kui elektrilüüti satub silma, siis loputage silma puhta veega ja pöörduge koheselt arsti poole. Selline õnnetus võib põhjustada pimedaksjäämist.
5. Ärge tekitage akukassetis lühisid:
  - (1) Ärge puutuge klemme elektrijuhtidega.
  - (2) Ärge hoidke akukassetti tööriistakastis koos metalliesemetega, nagu naelad, mündid jne.
  - (3) Ärge tehke akukassetti märjaks ega jätke seda vihma kätte.
 Aku lühis võib põhjustada tugevat elektrivoolu, ülekuumenemist, põletust ning ka seedet tõsiselt kahjustada.
6. Ärge hoidke tööriista ja akukassetti kohtades, kus temperatuur võib tõusta üle 50 °C.
7. Ärge põletage akukassetti isegi siis, kui see on saanud tõsiselt vigastada või on täiesti kulunud. Akukassett võib tules plahvatada.
8. Olge ettevaatlik, ärge laske akul maha kukkuda ja vältige lööke.
9. Ärge kasutage kahjustatud akut.
10. Sisalduvatele liitium-ioonakudele võib kohaldada ohtlike kaupade õigusaktide nõudeid.
 Kaubanduslikul transportimisel, näiteks kolmanda poole või transpordiettevõtete poolt, tuleb järgida pakendil ja siltidel toodud erinõudeid. Transportimiseks ettevalmistamisel on vajalik pidada nõu ohtliku materjali ekspertidega. Samuti tuleb järgida võimalike riiklike regulatsioonide üksikasjalikumaid nõudeid. Katke teibiga või varjake avatud kontaktid ja pakendage aku selliselt, et see ei saaks pakendis liikuda.
11. Järgige kasutuskõlbatuks muutunud aku käitlemisel kohalikke eeskirju.
12. Kasutage akusid ainult Makita heaks kiidetud toodetega. Akude paigaldamine selleks mitte ettenähtud toodetele võib põhjustada süttimist, ülemäärast kuumust, plahvatamist või elektrilüüdi lekkimist.

## HOIDKE JUHEND ALLES.

**⚠ETTEVAATUST:** Kasutage ainult Makita originaalakusid. Mitte Makita originaalakude või muudetud akude kasutamine võib põhjustada akude süttimise, kehavigastuse ja kahjustuse. Samuti muudab see kehtetuks Makita tööriista ja laadija Makita garantii.

## Vihjeid aku maksimaalse kasutusaja tagamise kohta

1. Laadige akukasetti enne selle täielikku tühjenemist. Kui märkate, et tööriist töötab väiksema võimsusega, peatage töö ja laadige akukasetti.
2. Ärge laadige täielikult laetud akukasetti. Ülelaadimine lühendab akude kasutusiga.
3. Laadige akukasetti toatemperatuuril 10 °C - 40 °C. Enne laadimist laske kuumenenud akukasetil maha jahtuda.
4. Kui te ei kasuta akukasetti kauem kui kuus kuud, laadige see.

## KOKKUPANEK

**⚠HOIATUS:** Veenduge enne niidukil igasuguste tööde tegemist, et lukustusvõti ja akukasetti oleks eemaldatud. Lukustusvõtme ja akukasetti eemaldamata jätmine võib põhjustada tõsiseid tervisekahjustusi, kui niiduk juhulikulult käivitub.

**⚠HOIATUS:** Ärge käivitage kunagi niidukit, kui see pole täielikult monteeritud. Osaliselt monteeritud niiduki käivitamine võib põhjustada tõsiseid tervisekahjustusi.

## Käepideme paigaldamine

**TÄHELEPANU:** Käepidemete paigaldamisel paigutage juhtmed nii, et need ei jääks käepidemete vahel millegi külge kinni. Kui juhe on kahjustatud, ei pruugi niiduki lüliti toimida.

1. Paigaldage alumine käepide nii, et käepidemes asuvad avad oleksid kohakuti niiduki korpusel asuvate eenditega. Sisestage seestpoolt poldid, kinnitage seejärel väljast seib A ja keerake tiibmutrid kinni.  
▶ **Joon.1:** 1. Alumine käepide 2. Seib A 3. Tiibmutter 4. Eend 5. Ava 6. Polt
2. Viige alumises käepidemes olev ava kohakuti ülemises käepidemes oleva avaga, sisestage seejärel seestpoolt poldid, kinnitage väljastpoolt seib B ja keerake tiibmutrid kinni.  
▶ **Joon.2:** 1. Ülemine käepide 2. Ava 3. Seib B 4. Tiibmutter 5. Alumine käepide 6. Polt

**⚠ETTEVAATUST:** Hoidke ülemist käepidet kindlalt, nii et see ei kukuks teil käest maha. Muidu võib käepide maha kukkuda ja kehavigastuse põhjustada.

3. Kinnitage hoidik A ja hoidik B käepidemele. Paigutage trossid joonisel näidatud asendisse.  
▶ **Joon.3:** 1. Juhe 2. Hoidik A 3. Hoidik B

**MÄRKUS:** Hoidikut A kinnitades kinnitage tross kindlasti hoidikuga, nagu on näidatud joonisel.

## Multšimisseadme eemaldamine

### DLM460

1. Avage tagakaas.  
▶ **Joon.4:** 1. Tagakaas
2. Eemaldage multšimisseade, hoides samal ajal hooba all.  
▶ **Joon.5:** 1. Hoob 2. Multšimisseade

### DLM461

1. Avage tagakaas.  
▶ **Joon.6:** 1. Tagakaas
2. Eemaldage multšimisseade, tõmmates samal ajal hooba.  
▶ **Joon.7:** 1. Multšimisseade 2. Hoob

## Murukoguri paigaldamine

1. Avage tagakaas.  
▶ **Joon.8:** 1. Tagakaas
2. Haakige murukoguja niiduki kerel olevale vardale, nagu on näidatud joonisel.  
▶ **Joon.9:** 1. Varras 2. Piire 3. Murukogur

**TÄHELEPANU:** Veenduge, et murukoguja piire oleks suunatud allapoole. Muidu ei pruugi murukoguja koike muru kokku koguda.

## Multšimisseadme kinnitamine

### DLM460

1. Avage tagakaas ja eemaldage murukogur.  
▶ **Joon.10:** 1. Tagakaas 2. Murukogur
2. Kinnitage multšimisseade hooba all hoides ja seejärel vabastage hoob multšimisseadme lukustamiseks.  
▶ **Joon.11:** 1. Hoob 2. Multšimisseade

### DLM461

1. Avage tagakaas ja eemaldage murukoguja.  
▶ **Joon.12:** 1. Tagakaas 2. Murukoguja
2. Kinnitage multšimisseade hooba all hoides ja seejärel vabastage hoob multšimisseadme lukustamiseks.  
▶ **Joon.13:** 1. Multšimisseade 2. Hoob

# FUNKSIONAALNE KIRJELDUS

## Akukasseti paigaldamine või eemaldamine

**⚠ETTEVAATUST:** Lülitage tööriist alati enne akukasseti paigaldamist või eemaldamist välja.

**⚠ETTEVAATUST:** Akukasseti paigaldamisel või eemaldamisel tuleb tööriista ja akukassetti kindlalt paigal hoida. Kui tööriista ja akukassetti ei hoita kindlalt paigal, võivad need käest libiseda ning kahjustada tööriista ja akukassetti või põhjustada kehavigastusi.

**⚠ETTEVAATUST:** Enne kasutamist lukustage kindlasti akukate. Muidu võivad pori, muld või vesi põhjustada toote või akukasseti kahjustuse.

**⚠ETTEVAATUST:** Paigaldage akukassett alati täies ulatuses nii, et punast osa ei jääks näha. Muidu võib adapter juhuslikult tööriistast välja kukkuda ning põhjustada teile või läheduses viibivatele isikutele vigastusi.

**⚠ETTEVAATUST:** Ärge rakendage akukasseti paigaldamisel jõudu. Kui kassett ei lähe kergesti sisse, pole see õigesti paigaldatud.

**MÄRKUS:** Tööriist ei tööta ainult ühe akukassetiga.

### Akukasseti paigaldamine

1. Tõmmake lukustushoob üles ja avage seejärel akukate.

► **Joon.14:** 1. Akukate 2. Lukustushoob

2. Viige akukasseti keel kohakuti niidukil asuva pesaga ja lükake kassetti, kuni see klõpsatusega oma kohale kinnitub.

► **Joon.15:** 1. Akukassett

3. Sisestage lukustusvõti joonisel näidatud kohta nii sügavale kui võimalik.

► **Joon.16:** 1. Lukustusvõti

4. Sulgege akukate ja vajutage sellele, kuni lukustushoob selle fikseerib.

### Niiduki akukasseti eemaldamine

1. Tõmmake akukatte lukustushoob üles ja avage akukate.

2. Tõmmake akukassetti niidukist, lükates samal ajal kassetti esiküljel paiknevat nuppu.

3. Tõmmake lukustusvõti välja.

4. Sulgege akukate.

## Tööriista/aku kaitsesüsteem

Tööriist on varustatud tööriista või aku kaitsesüsteemiga. Süsteem lülitab mootori automaatselt välja, et pikendada tööriista ja aku tööiga. Tööriist seiskub käitamise ajal automaatselt, kui tööriista või aku kohta kehtib üks järgmistest tingimustest.

## Ülekoormuskaitse

Kui akut kasutatakse viisil, mis põhjustab ebanormaalselt kõrget voolutaset, siis seiskub tööriist automaatselt ja teite märgutuli vilgub roheliselt. Sellisel juhul lülitage tööriist välja ja lõpetage töö, mis põhjustas tööriista ülekoormuse. Pärast seda käivitage tööriist uuesti.

## Ülekuumenemiskaitse

Kui tööriist või aku on ülekuumenenud, seiskub tööriist automaatselt ja teite märgutuli süttib punaselt. Laske sellisel juhul tööriistal ja akul enne tööriista uuesti siselülitamist jahtuda.

## Ülelaadimiskaitse

























Kui aku jääkmahutavus pole piisav, seiskub tööriist automaatselt ja peamine teite märgutuli vilgub punaselt. Sellisel juhul eemaldage aku tööriistast ja laadige akukassette või vahetage akukassetid täislaetute vastu.

## Aku jääkmahutavuse näit

### Ainult näidikuga akukassettidele

► **Joon.17:** 1. Märgulambid 2. Kontrollimise nupp

Akukasseti järelejäädud mahutavuse kontrollimiseks vajutage kontrollimise nuppu. Märgulambid süttivad mõneks sekundiks.

Märgulambid			Jääkmahutavus
 Pöleb	 Ei põle	 Vilgub	
			75 - 100%
			50 - 75%
			25 - 50%
			0 - 25%
			Laadige akut.
			Akul võib olla tõrge.
			

**MÄRKUS:** Näidatud mahutavus võib veidi erineda tegelikust mahutavusest olenevalt kasutustingimustest ja ümbritseva keskkonna temperatuurist.

## Juhtpaneel

Juhtpaneelil asuvad toitelüliti, režiimi vahetamise nupp ja aku jääkmahutavuse näidik.

- **Joon.18:** 1. Akunäidik 2. Režiimi vahetamise lamp  
3. Toite märgutuli 4. Kontrollimise nupp  
5. Režiimi vahetamise nupp 6. Toitelüliti

## Toitelüliti

**⚠ HOIATUS:** Kui seadet ei kasutata, lülitage toitelüliti alati välja.

Masina sisselülitamiseks vajutage toitelüliti. Toite märgutuli süttib roheliselt. Masina väljalülitamiseks vajutage toitenuppu uuesti.

**MÄRKUS:** Kui toitelamp süttib punaselt või vilgub punaselt või roheliselt, vaadake tööriista / aku kaitsesüsteemi juhiseid.






**MÄRKUS:** Sellel masinal on automaatse väljalülitamise funktsioon. Juhukäivituse vältimiseks lülitub toitelüliti automaatselt välja, kui lülithooba pärast toitelüliti sisselülitamist teatud aja vältel ei kasutata.

## Režiimi vahetamise nupp

Töörežiimi saab muuta režiimi vahetamise nupuga. Kui masin on sisse lülitatud, käivitub ta normaalrežiimis. Režiimi vahetamise nuppu vajutades lülitub masin energia säästmise režiimile ja režiimi vahetamise lamp süttib roheliselt. Energia säästmise režiimis saadab niitmist väiksem müra. Režiimi vahetamise nupule uuesti vajutamisel naaseb masin normaalrežiimi.

## Aku jääkmahutavuse näit

Aku järelejäänud mahutavuse kontrollimiseks vajutage kontrollimise nuppu. Kummalgi akul on oma akuindikaator.

Akunäidiku olek		Aku jääkmahutavus
 Põleb	 Ei põle	
		50–100%
		20–50%
		0–20%

## Lüliti funktsioneerimine

**⚠ HOIATUS:** Kontrollige alati enne akukasseti sisestamist seda, kas hooblüliti töötab nõuetekohaselt ning kas see liigub pärast vabastamist algasendisse tagasi. Tööriista juhtimine lüliti abil, mis ei toimi korralikult, võib kaasa tuua kontrolli kaotamise sae üle ja põhjustada tõsiseid vigastusi.

**MÄRKUS:** Niiduk ei käivitu, kui te toitelüliti ei vajuta (seda ka juhul, kui hooblüliti tõmbate).

**MÄRKUS:** Niiduk ei pruugi ülekoormuse tõttu käivituda, kui üritate niita liiga kõrget või tihedat heina. Sellisel juhul suurendage niitmiskõrgust.

See niiduk on varustatud blokeerülitiga ja käepidemel oleva lülitiga. Kui märkate midagi ebatavalist, mis on seotud ühega neist lülititest, seisake niiduk viivitamatult ja laske neid lüliteid lähimas Makita volitatud teeninduskeskuses kontrollida.

1. Paigaldage akukassetid. Sisestage lukustusvõti blokeerülitisse ja seejärel sulgege akukate.
  2. Vajutage toitelüliti.
  3. Vajutage lülitusnuppu ja hoidke seda all.
  4. Haarake ülemisest käepidemest ja tõmmake hooblüliti.
- **Joon.19:** 1. Lülitusnupp 2. Ülemine käepide  
3. Hooblüliti

**MÄRKUS:** Kui lukustusvõti ei ole sisestatud, hakkab toitelamp lülithooba tõmmates roheliselt vilkuma.

5. Vabastage toitelüliti niipea, kui mootor käivitub. Niiduki mootor töötab, kuni hooblüliti vabastate.
6. Vabastage hooblüliti, et mootor seisata.

## Niitmiskõrguse reguleerimine

**⚠ HOIATUS:** Ärge pange niitmiskõrguse reguleerimisel käsi või jalgu kunagi niiduki alla.

**⚠ HOIATUS:** Veenduge alati enne seadme kasutamist, et hoob sobitaks soonde.

### DLM460

Niitmiskõrgust saab reguleerida vahemikus 20 mm ja 75 mm.

### DLM461

Niitmiskõrgust saab reguleerida vahemikus 16 mm ja 71 mm.

Eemaldage lukustusvõti, tõmmake niitmiskõrguse reguleerimishooba niiduki korpusest väljapoole ja viige soovitud niitmiskõrgusele.

- **Joon.20:** 1. Niitmiskõrguse reguleerimishoob

Hoidke ühe käega eesmist käepidet ja liigutage seejärel teise käega niitmiskõrguse reguleerimishooba.

- **Joon.21:** 1. Niitmiskõrguse reguleerimishoob  
2. Eesmine käepide

**MÄRKUS:** Niitmiskõrguse näitajaid tuleks kasutada orientiirina. Maapinna ja muru seisundist olenevalt võib tegelik murukõrgus olla valitud kõrgusest erinev.

**MÄRKUS:** Katsetage muru niitmiskõrguse seadistust vähem nähtavas kohas, et leida sobiv kõrgus.



## Käepideme kõrguse reguleerimine

**⚠ETTEVAATUST:** Enne poltide eemaldamist hoidke ülemisest käepidemest kindlalt kinni. Muidu võib käepide maha kukkuda ja kehavigastuse põhjustada.

Käepideme kõrgust saab reguleerida kolmele tasemele.

1. Vabastage alumise käepideme tiibmutrid ning eemaldage seejärel poldid, seib ja tiibmutrid.

▶ **Joon.22:** 1. Tiibmutter 2. Seib 3. Polt

2. Reguleerige käepideme kõrgust.

3. Sisestage seestpoolt poldid, kinnitage seejärel väljast seibid ja keerake tiibmutrid kinni.

## Multšimisseadme kasutamine

Multšimisseade võimaldab teil niidetud muru tagasi maha panna, ilma et see murukogurisse kogutaks. Kui kasutate masinat multšimisseadmega, siis eemaldage kindlasti murukogur.

## Elektrooniline funktsioon

Masin on varustatud lihtsamaks kasutamiseks elektrooniliste funktsioonidega.

- Püsikiiruse juhtimine  
Elektrooniline kiiruse juhtimine püsikiiruse säävutamiseks. Muudab võimalikuks täpselt viimistlemise, kuna pöörlemiskiirus püsib ühtlasena ka koormuse tingimustes.
- Sujuvkäivitus  
Sujuvkäivituse funktsioon minimeerib käivitamisel tagasilööki ja võimaldab masinal sujuvalt käivituda.

## TÖÖRIISTA KASUTAMINE

### Niitmine

**⚠HOIATUS:** Puhastage niidetav ala enne niitmist okstest ja kividest. Lisaks puhastage niidetav ala enne niitmist ka umbrohust.

**⚠HOIATUS:** Kandke niiduki kasutamisel alati kaitseprille (või nt külgmiste kaitsetetega kaitseprille).

**⚠ETTEVAATUST:** Kui muru või kõrvaline ese on niiduki korpuse seestpoolt ummistanud, võtke enne muru või kõrvalise eseme eemaldamist välja lukustusvõti ja akukasett ning pange kindad kätte.

**TÄHELEPANU:** Kasutage seda seadet ainult muru niitmiseks. Ärge kasutage seda seadet umbrohu niitmiseks.

▶ **Joon.23**

Hoidke niitmisel kindlalt kahe käega käepidemest kinni. Soovitav niitmiskiirus on umbes 1 meetrit 4 sekundis.

▶ **Joon.24**

Niitmislaiuse orientiiriks on esirataste keskjooned. Niitke ribade kaupa, kasutades keskjooni abijoontena. Niitke kuni ühe kolmandiku ulatuses eelmise riba peal (kattuv ala) – nii niidate muru ühtlaselt.

▶ **Joon.25:** 1. Niitmislaius 2. Kattuv ala 3. Keskjoon

Muutke iga kord niitmise suunda, et ei tekiks ühesuunalist muru mustrit.

▶ **Joon.26**

Kontrollige regulaarselt murukoguris oleva niidetud muru kogust. Tühjendage murukogur enne selle täitumist. Enne iga sellist kontrolli seisake niiduk ning eemaldage seejärel lukustusvõti ja akukasett niidukist.

**MÄRKUS:** Täis murukogur takistab niiduki lõiketeraldel sujuvalt pöörelda ja lisab mootorile lisakoormuse, mis võib põhjustada mootoririkkeid.

## Kõrge muru niitmine

Ärge püüdke lõigata kõrget muru korraga. Selle asemel niitke muru mitmes etapis. Jätke niitmiste vahele üks või kaks päeva, et muru muutuks ühtlaselt lühikeseks.

▶ **Joon.27**

**MÄRKUS:** Kõrge rohu korraga lühikeseks niitmine võib põhjustada muru kuivamise. Samuti võib niidetud muru ummistada seest niiduki korpuse.

## Murukoguri tühjendamine

**⚠HOIATUS:** Õnnetuste ärahoidmiseks kontrollige murukogurit regulaarselt kahjustuste või tugevuse vähenemise suhtes. Vajaduse korral vahetage murukogur.

1. Vabastage hooblüliti.
2. Eemaldage lukustusvõti.
3. Avage tagakaas ja võtke käepidemest hoides murukoguja korv välja.  
▶ **Joon.28:** 1. Tagakaas 2. Käepide 3. Murukoguja
4. Tühjendage murukogur.

## HOOLDUS

**⚠HOIATUS:** Veenduge alati enne niiduki hoiumist, kandmist, kontrollimist või hooldamist, et lukustusvõti ja akukasett oleksid niidukist eemaldatud.

**⚠HOIATUS:** Kui niidukit ei kasutata, eemaldage alati lukustusvõti. Hoiumaste lukustusvõtit turvalises ja lastele kättesaamatus kohas.

**⚠HOIATUS:** Kandke kontrollimise või hooldamise ajal kaitsekindaid.

**⚠HOIATUS:** Kandke niiduki kontrollimisel või hooldamisel alati kaitseprille või külgmiste kaitsetetega kaitseprille.



**TÄHELEPANU:** Ärge kunagi kasutage bensiini, vedeldit, alkoholi ega midagi muud sarnast. Selle tulemuseks võib olla luitumine, deformatsioon või pragunemine.

Toote OHUTUSE ja TÖÖKINDLUSE tagamiseks tuleb vajalikud remonttööd ning muud hooldus- ja reguleerimistööd lasta teha Makita volitatud teeninduskeskustes või tehase teeninduskeskustes. Alati tuleb kasutada Makita varuosi.

## Hooldus

1. Eemaldage lukustusvõti ja akukasett ning sulgege akukate.
2. Asetage niiduk küljele ja puhastage see kere alla kogunenud murujääkidest.
3. Valage vett masina põhja suunas, kuhu kinnitati tera.

**TÄHELEPANU:** Ärge peske masinat kõrgsurvepesuriga.

4. Kontrollige kõikide mutrite, poltide, nuppude, kruvide, kinnitite jne pingust.
5. Kontrollige liikuvaid osi kahjustuste, purunemise ja kulumise suhtes. Kahjustatud või puuduvad osad tuleb remontida või välja vahetada.
6. Hoidke niidukit turvalises ja lastele kättesaamatus kohas.

## Niiduki kandmine

Hoidke niiduki kandmise ajal kahe inimesega joonisel näidatud viisil eesmisest ja alumisest käepidemest.

► **Joon.29:** 1. Alumine käepide 2. Eesmine käepide

## Hoiundamine

Hoiustage niidukit siseruumides, jahedas, kuivas ja lukustatud kohas. Ärge hoidke niidukit ega laadijat kohtades, kus temperatuur võib tõusta üle 40 °C.

1. Avage tagakaas ja võtke käepidemest hoides murukoguja korv välja.  
► **Joon.30:** 1. Tagakaas 2. Käepide 3. Murukoguja
2. Vabastage tiibmutrid ja hoidke ülemisest käepidemest kinni.  
► **Joon.31:** 1. Ülemine käepide 2. Tiibmutter

## Niiduki tera eemaldamine või paigaldamine

**⚠HOIATUS:** Eemaldage lukustusvõti ja akukasett alati enne lõiketera eemaldamist või paigaldamist. Lukustusvõtme või akukasetti eemaldamata jätmine võib tuua kaasa tõsiseid vigastusi.

**⚠HOIATUS:** Pärast lüliti vabastamist pöörleb lõiketera mõned sekundid tühikäigul. Ärge alustage toiminguid enne, kui tera on täielikult seiskunud.

**⚠HOIATUS:** Kandke lõiketera käsitsemisel alati kaitsekindaid.

## Niiduki tera eemaldamine

### DLM460

1. Asetage niiduk küljele, nii et niitmiskõrguse reguleerimishoob jääb üles.
2. Lõiketera blokeerimiseks paigutage muruniidukisse puitklots või muu sarnane ese.
3. Keerake polti mutrivõtmega vastupäeva.  
► **Joon.32:** 1. Niiduki tera 2. Mutrivõti 3. Puitklots
4. Eemaldage järjekorras polt, seib ja niiduki tera.  
► **Joon.33:** 1. Niiduki tera 2. Seib 3. Polt

### DLM461

1. Asetage niiduk küljele, nii et niitmiskõrguse reguleerimishoob jääb üles.
2. Keerake polti mutrivõtmega vastupäeva, hoides alusplaadist samal ajal kinni.  
► **Joon.34:** 1. Mutrivõti 2. Alusplaat
3. Eemaldage järjekorras polt, seib ja alusplaat.  
► **Joon.35:** 1. Alusplaat 2. Seib 3. Polt
4. Konkreetse tera eemaldamiseks keerake polti mutrivõtmega vastupäeva, hoides alusplaadist samal ajal kinni.  
► **Joon.36:** 1. Alusplaat 2. Niiduki tera 3. Mutrivõti

## Niiduki tera paigaldamine

Niiduki tera paigaldamiseks järgige eemaldamise protseduuri vastupidises järjekorras.

**⚠HOIATUS:** Paigaldage hoolikalt tera. Sellel on ülemine/alumine külg. Asetage tera niimoodi, et selle pöörlemissuuna nooled oleks suunatud väljapoole.

**⚠HOIATUS:** Seejärel pinguldage polti päripäeva, et lõiketera fikseerida.

**⚠HOIATUS:** Veenduge, et tera ja kõik selle kinnitusosad oleks korralikult paigaldatud ja kindlalt pingutatud.

**⚠HOIATUS:** Terasid vahetades järgige alati juhendis toodud juhtnööre.

### DLM461

**TÄHELEPANU:** Niiduki tera paigaldamisel libistage niiduki tera nii, nagu on näidatud joonisel, et väljaulatuvad osad puutuksid niiduki teraga kokku.

► **Joon.37:** 1. Eenduv osa 2. Niiduki tera

# VEAOTSING

Enne remonditöökotta pöördumist kontrollige niidukit ise. Ärge üritage niidukit lahti võtta, kui leiata probleemi, mida kasutusjuhendis ei kirjeldata. Selle asemel pöörduge Makita volitatud teeninduskeskusesse, kus kasutatakse remontimisel alati Makita tagavaraosi.

Tõrge	Võimalik põhjus (riike)	Lahendus
Niiduk ei käivitu.	Kaks akukassetti ei ole paigaldatud.	Paigaldage laetud akukassetid.
	Akuga seotud probleem (alapinge)	Laadige akukassett. Kui laadimine ei anna tulemust, vahetage akukassett välja.
	Lukustusvõti ei ole sisestatud.	Sisestage lukustusvõti.
Mootor seiskub pärast lühiajalist töötamist.	Aku laetustase on madal.	Laadige akukassett. Kui laadimine ei anna tulemust, vahetage akukassett välja.
	Niitmiskõrgus on liiga madal.	Tõstke niitmiskõrgust.
Mootor ei saavuta maksimaalset pöörlemiskiirust.	Akukassett ei ole õigesti paigaldatud.	Paigaldage akukassett juhendis kirjeldatud viisil.
	Aku võimsus langeb.	Laadige akukassett. Kui laadimine ei anna tulemust, vahetage akukassett välja.
	Veosüsteem ei tööta korralikult.	Paluge volitatud teeninduskeskuses teha parandustööd.
Lõikeseade ei pöörle: ⇒ seisake kohe niiduk!	Kõrvaline ese, näiteks puuoks on tera blokeeritud.	Eemaldage kõrvaline ese.
	Veosüsteem ei tööta korralikult.	Paluge volitatud teeninduskeskuses teha parandustööd.
Ebatavaline vibratsioon: ⇒ seisake kohe niiduk!	Tera ei ole tasakaalus või on ülemäära või ebaühtlaselt kulunud.	Vahetage tera.

## VALIKULISED TARIKUD

**⚠ETTEVAATUST:** Neid tarvikuid ja lisaseadiseid on soovitatav kasutada koos Makita tööriistaga, mille kasutamist selles kasutusjuhendis kirjeldatakse. Muude tarvikute ja lisaseadiste kasutamisega kaasneb vigastada saamise oht. Kasutage tarvikuid ja lisaseadiseid ainult otstarbekohaselt.

Saate vajaduse korral kohalikust Makita teeninduskeskusest lisateavet nende tarvikute kohta.

- Niiduki tera
- Makita algupärane aku ja laadija

**MÄRKUS:** Mõned nimekirjas loetletud tarvikud võivad kuuluda standardvarustusse ning need on lisatud tööriista pakendisse. Need võivad riigiti erineda.

## ТЕХНИЧЕСКИЕ ХАРАКТЕРИСТИКИ

Модель:	DLM460		DLM461	
Ширина скашивания (диаметр лезвия)	460 мм			
Число оборотов без нагрузки	2 500 мин <sup>-1</sup>			
Максимальная рабочая частота	3 300 мин <sup>-1</sup>			
Сменное лезвие газонокосилки, номер детали	199367-2		199368-0	
Размеры (Д × Ш × В)	во время работы	Д: от 1 319 мм до 1 518 мм Ш: 532 мм В: от 879 мм до 1 138 мм		
	в положении для хранения (без корзины для травы)	Д: от 1 004 мм до 1 125 мм Ш: 532 мм В: от 533 мм до 713 мм		
Номинальное напряжение	36 В пост. тока			
Масса нетто	25,3 – 27,6 кг		26,6 – 28,4 кг	
Степень защиты	IPX4			

- Благодаря нашей постоянно действующей программе исследований и разработок указанные здесь технические характеристики могут быть изменены без предварительного уведомления.
- Технические характеристики и аккумуляторный блок могут отличаться в зависимости от страны.
- Масса может отличаться в зависимости от дополнительного оборудования. Обратите внимание, что блок аккумулятора также считается дополнительным оборудованием. В таблице представлены комбинации с наибольшим и наименьшим весом в соответствии с процедурой EPTA 01/2014.

### Подходящий блок аккумулятора



BL1815N / BL1820 / BL1820V / BL1830 / BL1830B / BL1840 / BL1840B / BL1850 / BL1850B / BL1860B

- В зависимости от региона вашего проживания некоторые блоки аккумуляторов, перечисленные выше, могут быть недоступны.

**⚠ ОСТОРОЖНО:** Используйте только перечисленные выше блоки аккумуляторов. Использование других блоков аккумуляторов может привести к травме и/или пожару.

## Символы

Ниже приведены символы, используемые для обозначения. Перед использованием убедитесь, что вы понимаете их значение.

	Обратите особое внимание.
	Прочитайте руководство по эксплуатации.
	Опасность! Возможен разлет твердых предметов.
	Расстояние от инструмента до находящихся поблизости людей должно быть не менее 15 м.
	Не приближайте руки и ноги к ножам под днищем газонокосилки. После выключения электромотора лезвия продолжают вращаться.
	Перед осмотром, регулировкой, очисткой, обслуживанием, оставлением и хранением газонокосилки извлекайте ключ блокировки.



Только для стран ЕС  
Не выбрасывайте электрооборудование или аккумуляторы вместе с бытовым мусором! В соответствии с европейскими директивами об утилизации электрического и электронного оборудования, о батареях и аккумуляторах, а также использованных батареях и аккумуляторах и их применении в соответствии с местными законами электрооборудование, батареи и аккумуляторы, срок эксплуатации которых истек, должны утилизироваться отдельно и передаваться для утилизации на предприятие, соответствующее применяемым правилам охраны окружающей среды.

## Назначение

Инструмент предназначен для кошения газонов.

## Шум

Типичный уровень взвешенного звукового давления (A), измеренный в соответствии с EN60335-2-77:

### Модель DLM460

Уровень звукового давления ( $L_{pA}$ ): 79 дБ (A)

Уровень звуковой мощности ( $L_{WA}$ ): 91 дБ (A)

Погрешность (K): 3,4 дБ (A)

Уровень шума при выполнении работ может превышать 80 дБ (A).

**ПРИМЕЧАНИЕ:** Заявленное значение распространения шума измерено в соответствии со стандартной методикой испытаний и может быть использовано для сравнения инструментов.

**ПРИМЕЧАНИЕ:** Заявленное значение распространения шума можно также использовать для предварительных оценок воздействия.

**⚠ОСТОРОЖНО:** Используйте средства защиты слуха.

**⚠ОСТОРОЖНО:** Распространение шума во время фактического использования электроинструмента может отличаться от заявленного значения в зависимости от способа применения инструмента и в особенности от типа обрабатываемой детали.

**⚠ОСТОРОЖНО:** Обязательно определите меры безопасности для защиты оператора, основанные на оценке воздействия в реальных условиях использования (с учетом всех этапов рабочего цикла, таких как выключение инструмента, работа без нагрузки и включение).

## Вибрация

Суммарное значение вибрации (сумма векторов по трем осям), определенное в соответствии с EN60335-2-77:

**Модель DLM460**

Распространение вибрации ( $a_h$ ): 2,5 м/с<sup>2</sup> или менее  
Погрешность (K): 1,5 м/с<sup>2</sup>

**ПРИМЕЧАНИЕ:** Заявленное общее значение распространения вибрации измерено в соответствии со стандартной методикой испытаний и может быть использовано для сравнения инструментов.

**ПРИМЕЧАНИЕ:** Заявленное общее значение распространения вибрации можно также использовать для предварительных оценок воздействия.

**⚠ОСТОРОЖНО:** Распространение вибрации во время фактического использования электроинструмента может отличаться от заявленного значения в зависимости от способа применения инструмента и в особенности от типа обрабатываемой детали.

**⚠ОСТОРОЖНО:** Обязательно определите меры безопасности для защиты оператора, основанные на оценке воздействия в реальных условиях использования (с учетом всех этапов рабочего цикла, таких как выключение инструмента, работа без нагрузки и включение).

## Декларация о соответствии ЕС

*Только для европейских стран*

Декларация о соответствии ЕС включена в руководство по эксплуатации (Приложение А).

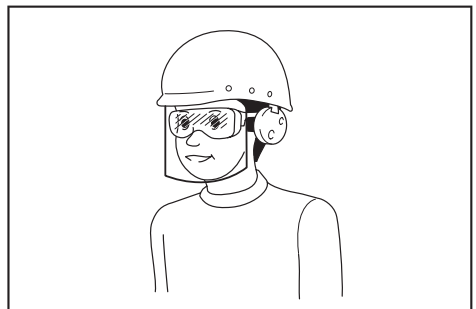
# МЕРЫ БЕЗОПАСНОСТИ

## Инструкции по технике безопасности для газонокосилки

**⚠ОСТОРОЖНО:** Ознакомьтесь со всеми инструкциями и рекомендациями по технике безопасности. Невыполнение инструкций и рекомендаций может привести к поражению электротоком, пожару и/или тяжелым травмам.

## Сохраните брошюру с инструкциями и рекомендациями для дальнейшего использования.

1. Не вставляйте ключ блокировки в газонокосилку, пока она не будет готова к эксплуатации.
2. Следует следить за маленькими детьми, чтобы они не использовали газонокосилку в качестве игрушки.
3. Не разрешайте детям и лицам, не знакомым с данными инструкциями, пользоваться косилкой. В местном законодательстве могут существовать возрастные ограничения для операторов.
4. Запрещается эксплуатировать газонокосилку, если поблизости находятся люди (в особенности дети) или животные.
5. Помните, что оператор/пользователь несет ответственность за происшествия и опасные ситуации с другими людьми или их собственностью.
6. На время эксплуатации косилки обязательно надевайте прочную обувь и длинные брюки. Не пользуйтесь оборудованием босиком или в открытых сандалиях. Не следует носить галстук, свободную одежду или украшения, а также одежду, украшенную свисающими шнурами. Их может затянуть движущимися деталями.
7. Во время работы с электроинструментом всегда надевайте защитные очки. Очки должны соответствовать ANSI Z87.1 для США, EN 166 для Европы, или AS/NZS 1336 для Австралии и Новой Зеландии. В Австралии и Новой Зеландии оператор также обязан носить защитную маску.



- Ответственность за использование средств защиты операторами и другим персоналом вблизи рабочей зоны возлагается на работодателя.
8. Используйте устройство только в дневное время или при хорошем искусственном освещении.
  9. Не рекомендуется использовать машину на мокрой траве.
  10. Эксплуатация и обслуживание электроинструмента, работающего на аккумуляторах - Заряжайте аккумулятор только зарядным устройством, указанным изготовителем. Зарядное устройство, подходящее для одного типа блока аккумулятора, может привести к пожару при его использовании с другим блоком.
    - Используйте электроинструмент только с указанными блоками аккумуляторов. Использование других блоков аккумуляторов может привести к травме или пожару.
    - Когда блок аккумулятора не используется, храните его отдельно от металлических предметов, таких как крепеж, монеты, ключи, гвозди, шурупы или другие небольшие металлические предметы, которые могут привести к закорачиванию контактов аккумуляторного блока между собой. Короткое замыкание между контактами аккумуляторного блока может привести к ожогам или пожару.
    - При неправильном обращении из аккумуляторного блока может потечь жидкость. Избегайте контакта с ней. В случае контакта с кожей промойте место контакта обильным количеством воды. В случае попадания в глаза обратитесь к врачу. Жидкость из аккумулятора может вызвать раздражение или ожоги.
    - Не бросайте аккумуляторы в огонь. Они могут взорваться. Уточните местные правила утилизации аккумуляторов.
    - Не вскрывайте и не разбивайте аккумуляторы. Содержащийся в них электролит очень едкий, вы можете повредить глаза или кожу. При проглатывании это вещество может вызвать отравление.
    - Не заряжайте аккумулятор под дождем или в местах с повышенной влажностью.
  11. Постоянно надежно удерживайте рукоятку.
  12. Соблюдайте осторожность на склонах.
  13. Передвигайтесь шагом, не бегите.
  14. Поднимая или удерживая косилку, не беритесь за оголенные ножи или режущие кромки.
  15. Физическое состояние – не эксплуатируйте газонокосилку, находясь под действием наркотиков, алкоголя или лекарств.
  16. Не приближайте руки и ноги к вращающимся ножам. Внимание - лезвия продолжают вращаться после отключения газонокосилки.
  17. Пользуйтесь только оригинальными лезвиями производителя, указанными в данном руководстве.
  18. Перед эксплуатацией тщательно осмотрите лезвия и болты лезвий и убедитесь в отсутствии трещин или поврежденных. Немедленно замените треснувшие или поврежденные лезвия или болты лезвий.
  19. Перед началом работы убедитесь, что поблизости никого нет. Если кто-либо приблизился, выключите газонокосилку.
  20. Перед началом работы очистите площадку от посторонних предметов (каменной, проволоки, бутылок, костей и больших палок), чтобы не допустить травм или повреждения газонокосилки.
  21. Немедленно прекратите выполнение операции, если заметите какие-либо сбои. Выключите газонокосилку и извлеките ключ. Затем осмотрите газонокосилку.
  22. Запрещается регулировать высоту скашивания во время движения газонокосилки (если газонокосилка позволяет регулировать высоту скашивания).
  23. Отпустите рычажный выключатель и дождитесь остановки лезвия, прежде чем переходить улицы, пешеходные дорожки, дороги и любые области с гравийным покрытием. Кроме того, извлекайте ключ блокировки, если выпускаете газонокосилку из рук, нагибаетесь, чтобы подобрать или убрать что-либо с дороги, или по любой другой причине, которая может отвлечь вас от работы.
  24. Предметы, отброшенные лезвием газонокосилки, могут нанести тяжелые травмы. Перед началом работы необходимо тщательно осмотреть газон и очистить его от всех предметов.
  25. Если газонокосилка ударилась о посторонний предмет, выполните следующее:
    - выключите газонокосилку, отпустите рычажный выключатель и дождитесь полной остановки лезвия;
    - Извлеките ключ блокировки и блок аккумулятора.
    - внимательно осмотрите газонокосилку на предмет повреждений;
    - замените лезвие, если оно повреждено. Устраните повреждения, прежде чем перезапустить газонокосилку и возобновлять работу.
  26. Чаще проверяйте корзину для травы на предмет износа или повреждений. Помещая устройство на хранение, обязательно очистите корзину для травы. Для обеспечения безопасности замените изношенную корзину для травы на новую.
  27. Соблюдайте особую осторожность, перемещая газонокосилку задним ходом или подтягивая ее к себе.
  28. Обязательно остановите лезвие(я), если машину необходимо наклонить для транспортировки по поверхности, отличной от травы, либо при транспортировке машины к месту эксплуатации и обратно.

29. Запрещается использовать машину с неисправными ограждениями и экранами или без защитных приспособлений, например дефлекторов или бункера для сбора травы.
30. Осторожно включайте газонокосилку в соответствии с инструкциями, ноги при этом должны находиться как можно дальше от лезвий.
31. Не наклоняйте машину при включении двигателя, кроме случаев, когда ее необходимо наклонять для пуска. В этом случае наклоняйте ее на минимальный возможный угол и поднимайте только дальнюю от оператора часть.
32. Не включайте двигатель, стоя перед разгрузочным отверстием.
33. Не помещайте руки или ноги под вращающиеся детали или вблизи них. Никогда не становитесь перед разгрузочным отверстием.
34. Не транспортируйте включенную газонокосилку.
35. Выключите машину и снимите блокиратор. Убедитесь, что все движущиеся части полностью остановились, если
  - оставляете машину;
  - планируете устранять засоры и удалять предметы, закупорившие желоб;
  - собираетесь проверять, очищать оборудование или выполнять его обслуживание;
  - оборудование ударилось о посторонний предмет. Перед запуском осмотрите машину на предмет повреждений и устраните неисправность.
36. Если начинается непредусмотренная вибрация машины (немедленно проверьте)
  - осмотрите на предмет повреждений;
  - замените или отремонтируйте поврежденные детали;
  - проверьте на предмет ослабленных деталей и подтяните их.
37. Соблюдайте осторожность при регулировке газонокосилки, чтобы не допустить защемления пальцев между движущимися лезвиями и неподвижными деталями машины.
38. Выполняйте стрижку газонов поперек склона, а не вниз-вверх. Соблюдайте особую осторожность, меняя направление движения на склонах. Не выполняйте стрижку чересчур крутых склонов.
39. Чаще проверяйте надежность затяжки болта крепления лезвия.
40. Все гайки, болты и винты должны быть надежно затянуты — это обеспечит безопасность и работоспособность.
41. Перед постановкой на хранение дайте косилке остыть.
42. При обслуживании лезвий следует помнить, что лезвия могут двигаться даже при отключенном питании.
43. Чтобы обеспечить безопасность, заменяйте изношенные и поврежденные детали. Используйте только оригинальные сменные части и приспособления.
44. Запрещается использовать устройство, если существует риск удара молнии.
45. При использовании устройства в грязи, на влажном склоне или на скользкой поверхности будьте осторожны, чтобы не поскользнуться.
46. Избегайте работать в сложных условиях, в которых ожидается повышенная усталость пользователя.
47. Не используйте устройство в неблагоприятных погодных условиях, когда видимость ограничена. Несоблюдение этого требования может привести к падению или неправильной эксплуатации устройства из-за плохой видимости.
48. Запрещается заменять аккумулятор под дождем.
49. Не допускайте погружения устройства в лужи.
50. Не оставляйте устройство без присмотра под открытым небом в дождь.
51. Запрещается вставлять или вынимать ключ блокировки под дождем.
52. В случае прилипания мокрых листьев или грязи ко входу для всасывания (вентиляционному отверстию) удалите их.
53. Запрещается мыть устройство струей воды с высоким напором.
54. При мойке устройства обязательно вытаскивайте аккумулятор и ключ блокировки и закройте крышку отсека аккумулятора. Вода при мойке должна стекать к нижней части устройства, где крепится лезвие.
55. Не храните устройство в помещениях с высокой влажностью или температурой, на солнце или под дождем.
56. Осмотр и техническое обслуживание устройства следует выполнять в месте, защищенном от осадков.
57. После использования устройства очистите его от налипшей грязи и полностью высушите, перед тем как поместить на хранение. В зависимости от времени года и/или региона устройство может выйти из строя из-за замерзания воды.
58. Избегайте смачивания клемм аккумулятора жидкостью, например водой, и не допускайте погружения аккумулятора в жидкость. Запрещается оставлять аккумулятор под дождем, заряжать, использовать или хранить аккумулятор в местах с повышенной влажностью. Мокрые клеммы или попадание жидкости внутрь аккумулятора могут привести к короткому замыканию аккумулятора, его перегреву, возгоранию или взрыву.
59. После извлечения аккумулятора из газонокосилки или зарядного устройства обязательно присоедините к аккумулятору крышку отсека аккумулятора и оставьте его в сухом месте.
60. Запрещается выполнять замену аккумулятора мокрыми руками.
61. Запрещается использовать устройство в снегопад.

62. Если срезанная трава является мокрой, она может скапливаться внутри устройства. Регулярно проверяйте состояние устройства и при необходимости удаляйте прилипшую траву.

## СОХРАНИТЕ ДАННЫЕ ИНСТРУКЦИИ.

**▲ОСТОРОЖНО:** НЕ ДОПУСКАЙТЕ, чтобы удобство или опыт эксплуатации данного устройства (полученный от многократного использования) доминировали над строгим соблюдением правил техники безопасности при обращении с этим устройством.

**НЕПРАВИЛЬНОЕ ИСПОЛЬЗОВАНИЕ** инструмента или несоблюдение правил техники безопасности, указанных в данном руководстве, может привести к тяжелой травме.

### Важные правила техники безопасности для работы с аккумуляторным блоком

1. Перед использованием аккумуляторного блока прочитайте все инструкции и предупреждающие надписи на (1) зарядном устройстве, (2) аккумуляторном блоке и (3) инструменте, работающем от аккумуляторного блока.
2. Не разбирайте аккумуляторный блок.
3. Если время работы аккумуляторного блока значительно сократилось, немедленно прекратите работу. В противном случае, может возникнуть перегрев блока, что приведет к ожогам и даже к взрыву.
4. В случае попадания электролита в глаза промойте их обильным количеством чистой воды и немедленно обратитесь к врачу. Это может привести к потере зрения.
5. Не замыкайте контакты аккумуляторного блока между собой:
  - (1) Не прикасайтесь к контактам какими-либо токопроводящими предметами.
  - (2) Не храните аккумуляторный блок в контейнере вместе с другими металлическими предметами, такими как гвозди, монеты и т. п.
  - (3) Не допускайте попадания на аккумуляторный блок воды или дождя.Замыкание контактов аккумуляторного блока между собой может привести к возникновению большого тока, перегреву, возможному ожогу и даже поломке блока.
6. Не храните инструмент и аккумуляторный блок в местах, где температура может достигать или превышать 50 °C (122 °F).
7. Не бросайте аккумуляторный блок в огонь, даже если он сильно поврежден или полностью вышел из строя. Аккумуляторный блок может взорваться под действием огня.
8. Не роняйте и не ударяйте аккумуляторный блок.

9. Не используйте поврежденный аккумуляторный блок.
10. Входящие в комплект литий-ионные аккумуляторы должны эксплуатироваться в соответствии с требованиями законодательства об опасных товарах.  
При коммерческой транспортировке, например, третьей стороной или экспедитором, необходимо нанести на упаковку специальные предупреждения и маркировку.  
В процессе подготовки устройства к отправке обязательно проконсультируйтесь со специалистом по опасным материалам. Также соблюдайте местные требования и нормы. Они могут быть строже.  
Закройте или закрепите разомкнутые контакты и упакуйте аккумулятор так, чтобы он не перемещался по упаковке.
11. Выполняйте требования местного законодательства относительно утилизации аккумуляторного блока.
12. Используйте аккумуляторы только с продукцией, указанной Makita. Установка аккумуляторов на продукцию, не соответствующую требованиям, может привести к пожару, перегреву, взрыву или утечке электролита.

## СОХРАНИТЕ ДАННЫЕ ИНСТРУКЦИИ.

**▲ВНИМАНИЕ:** Используйте только фирменные аккумуляторные батареи Makita.

Использование аккумуляторных батарей, не произведенных Makita, или батарей, которые были подвергнуты модификациям, может привести к взрыву аккумулятора, пожару, травмам и повреждению имущества. Это также автоматически аннулирует гарантию Makita на инструмент и зарядное устройство Makita.

## Советы по обеспечению максимального срока службы аккумулятора

1. Заряжайте блок аккумуляторов перед его полной разрядкой. Обязательно прекратите работу с инструментом и зарядите блок аккумуляторов, если вы заметили снижение мощности инструмента.
2. Никогда не подзаряжайте полностью заряженный блок аккумуляторов. Перезарядка сокращает срок службы аккумулятора.
3. Заряжайте блок аккумуляторов при комнатной температуре в 10 - 40 °C (50 - 104 °F). Перед зарядкой горячего блока аккумулятора дайте ему остыть.
4. Зарядите ионно-литиевый аккумуляторный блок, если вы не будете пользоваться инструментом длительное время (более шести месяцев).



## СБОРКА

**⚠ОСТОРОЖНО:** Прежде чем выполнять какие-либо операции с газонокосилкой, убедитесь, что ключ блокировки и блок аккумулятора извлечены. Несоблюдение этого требования может привести к тяжелой травме в результате случайного пуска инструмента.

**⚠ОСТОРОЖНО:** Не запускайте частично разобранный косилку. Работа инструмента в частично разобранном виде может стать причиной тяжелой травмы в результате случайного пуска.

## Установка рукоятки

**ПРИМЕЧАНИЕ:** При установке рукояток расположите провода так, чтобы они не защемлялись между рукоятками. Если шнур поврежден, выключатель косилки не будет работать.

1. Присоедините нижнюю рукоятку так, чтобы отверстие в ней совпало с выступами на корпусе газонокосилки. Вставьте болты изнутри, затем наденьте шайбу А снаружи и затяните накатные гайки.  
▶ **Рис.1:** 1. Нижняя рукоятка 2. Шайба А 3. Накатная гайка 4. Выступ 5. Отверстие 6. Болт

2. Совместите отверстие в нижней рукоятке с отверстием в верхней рукоятке, затем вставьте болты изнутри, наденьте шайбу В снаружи и затяните накатные гайки.  
▶ **Рис.2:** 1. Верхняя рукоятка 2. Отверстие 3. Шайба В 4. Накатная гайка 5. Нижняя рукоятка 6. Болт

**⚠ВНИМАНИЕ:** Крепко удерживайте верхнюю рукоятку, чтобы она не выскользнула из вашей руки. Несоблюдение данного требования может привести к получению травм при падении рукоятки.

3. Присоедините держатель А и держатель В к рукоятке. Расположите шнуры, как показано на рисунке.  
▶ **Рис.3:** 1. Шнур 2. Держатель А 3. Держатель В

**ПРИМЕЧАНИЕ:** Присоединяя держатель А, обязательно закрепите шнур держателем, как показано на рисунке.

## Снятие насадки для мульчирования

### Модель DLM460

1. Откройте заднюю крышку.  
▶ **Рис.4:** 1. Задняя крышка
2. Снимите насадку для мульчирования, удерживая нажатым рычаг.  
▶ **Рис.5:** 1. Рычаг 2. Насадка для мульчирования

### Модель DLM461

1. Откройте заднюю крышку.  
▶ **Рис.6:** 1. Задняя крышка
2. Снимите насадку для мульчирования, потянув рычаг.  
▶ **Рис.7:** 1. Насадка для мульчирования 2. Рычаг

## Установка корзины для травы

1. Откройте заднюю крышку.  
▶ **Рис.8:** 1. Задняя крышка
2. Установите корзину для травы на стержень корпуса газонокосилки, как указано на рисунке.  
▶ **Рис.9:** 1. Стержень 2. Ограждение 3. Корзина для травы

**ПРИМЕЧАНИЕ:** Следите за тем, чтобы ограждение корзины для травы было обращено вниз. В противном случае часть срезанной травы может падать мимо корзины для травы.

## Установка насадки для мульчирования

### Модель DLM460

1. Откройте заднюю крышку и снимите корзину для травы.  
▶ **Рис.10:** 1. Задняя крышка 2. Корзина для травы
2. Отожмите вниз рычаг на насадке для мульчирования и установите насадку. Отпустите рычаг, чтобы зафиксировать насадку.  
▶ **Рис.11:** 1. Рычаг 2. Насадка для мульчирования

### Модель DLM461

1. Откройте заднюю крышку и снимите корзину для травы.  
▶ **Рис.12:** 1. Задняя крышка 2. Корзина для травы
2. Потяните рычаг и установите насадку для мульчирования. Отпустите рычаг, чтобы зафиксировать насадку.  
▶ **Рис.13:** 1. Насадка для мульчирования 2. Рычаг

# ОПИСАНИЕ РАБОТЫ

## Установка или снятие блока аккумулятора

**▲ВНИМАНИЕ:** Обязательно выключайте инструмент перед установкой и извлечением блока аккумулятора.

**▲ВНИМАНИЕ:** При установке и извлечении аккумуляторного блока крепко удерживайте инструмент и аккумуляторный блок. Если не соблюдать это требование, они могут выскользнуть из рук, что приведет к повреждению инструмента, аккумуляторного блока и травмированию оператора.

**▲ВНИМАНИЕ:** Перед использованием убедитесь, что заперли крышку блока аккумулятора. В противном случае грязь, мусор или вода могут повредить изделие или блок аккумулятора.

**▲ВНИМАНИЕ:** Обязательно устанавливайте блок аккумулятора до конца, чтобы красный индикатор не был виден. В противном случае блок может выпасть из инструмента и нанести травму вам или другим людям.

**▲ВНИМАНИЕ:** Не прилагайте чрезмерных усилий при установке блока аккумулятора. Если блок не двигается свободно, значит он вставлен неправильно.

**ПРИМЕЧАНИЕ:** Инструмент не будет работать с одним блоком.

### Чтобы установить блок аккумулятора:

1. Потяните вверх стопорный рычаг и откройте крышку отсека аккумулятора.
  - **Рис. 14:** 1. Крышка аккумуляторной батареи 2. Стопорный рычаг
2. Совместите язычок на блоке аккумулятора с канавкой на газонокосилке, затем вставьте блок до щелчка.
  - **Рис. 15:** 1. Блок аккумулятора
3. Вставьте ключ блокировки до упора в точку, показанной на рисунке.
  - **Рис. 16:** 1. Ключ блокировки
4. Закройте крышку аккумулятора и нажмите на нее до фиксации рычагом блокировки.

### Чтобы извлечь блок аккумулятора из газонокосилки:

1. Потяните вверх стопорный рычаг крышки отсека аккумулятора и откройте крышку.
2. Потяните блок аккумулятора, удерживая нажатой кнопку на лицевой стороне, и извлеките блок.
3. Извлеките ключ блокировки.
4. Закройте крышку аккумулятора.

# Система защиты инструмента/аккумулятора

На инструменте предусмотрена система защиты инструмента/аккумулятора. Она автоматически отключает питание двигателя для продления срока службы инструмента и аккумулятора. Инструмент автоматически остановится во время работы в следующих случаях:

## Защита от перегрузки

Если из-за способа эксплуатации аккумулятор потребляет аномально высокий ток, он автоматически выключится, а основной индикатор питания начнет мигать зеленым. В этом случае выключите инструмент и прекратите работу, повлекшую перегрузку инструмента. Затем включите инструмент для перезапуска.

## Защита от перегрева

При перегреве инструмента или аккумулятора инструмент автоматически останавливается, а основной индикатор питания начинает гореть красным. В этом случае дайте инструменту и аккумулятору остыть перед повторным включением.

## Защита от переразрядки

Если емкости аккумулятора недостаточно, инструмент остановится автоматически, а основной индикатор питания начнет мигать красным. В этом случае следует вытащить из инструмента аккумулятор и зарядить блоки аккумуляторов или заменить их на полностью заряженные.

# Индикация оставшегося заряда аккумулятора

### Только для блоков аккумулятора с индикатором

► **Рис. 17:** 1. Индикаторы 2. Кнопка проверки  
Нажмите кнопку проверки на аккумуляторном блоке для проверки заряда. Индикаторы загорятся на несколько секунд.

Индикаторы			Уровень заряда
Горит	Выкл.	Мигает	
■	■	■	от 75 до 100%
■	■	□	от 50 до 75%
■	□	□	от 25 до 50%
■	□	□	от 0 до 25%
▣	□	□	Зарядите аккумуляторную батарею.
■	■	□	Возможно, аккумуляторная батарея неисправна.
□	□	■	

**ПРИМЕЧАНИЕ:** В зависимости от условий эксплуатации и температуры окружающего воздуха индикация может незначительно отличаться от фактического значения.

## Панель управления

На панели управления находятся главный переключатель питания, кнопка переключения режимов и индикатор емкости аккумулятора.

► **Рис.18:** 1. Индикатор аккумулятора 2. Индикатор переключения режимов 3. Основной индикатор питания 4. Кнопка проверки 5. Кнопка переключения режимов 6. Главный переключатель питания

## Главный переключатель питания

**▲ОСТОРОЖНО:** Держите основной переключатель питания выключенным, когда он не используется.

Для включения устройства нажмите главный переключатель питания. Основной индикатор питания загорится зеленым светом. Для выключения устройства нажмите главный переключатель питания еще раз.

**ПРИМЕЧАНИЕ:** Если основной индикатор питания загорится красным или начнет мигать красным или зеленым, см. раздел инструкций по системе защиты инструмента или аккумулятора.

**ПРИМЕЧАНИЕ:** Это устройство оснащено функцией автоматического отключения. Для предотвращения случайного запуска главный переключатель питания автоматически отключается, если не нажимать пусковой рычаг в течение определенного периода времени после включения главного переключателя питания.







## Кнопка переключения режимов

Переключить режим работы можно нажатием кнопки переключения режимов. После включения устройства оно начинает работу в нормальном режиме.

При нажатии кнопки переключения режимов устройство переключается в энергосберегающий режим и индикатор переключения режимов загорается зеленым светом. В энергосберегающем режиме можно уменьшить уровень шума при косении. Если нажать кнопку переключения режимов еще раз, устройство снова перейдет в нормальный режим.

## Индикация оставшегося заряда аккумулятора

Нажмите кнопку проверки для проверки заряда аккумулятора. Индикаторы соответствуют каждому аккумулятору.

Состояние индикатора аккумуляторной батареи		Уровень емкости аккумулятора
Вкл.	Выкл.	
		50 - 100 %
		20 - 50%
		0 - 20%

## Действие выключателя

**▲ОСТОРОЖНО:** Перед установкой блока аккумулятора обязательно убедитесь, что рычажный выключатель работает правильно и после отпускания возвращается в исходное положение. Эксплуатация инструмента с неисправным выключателем может привести к потере контроля над инструментом и получению тяжелой травмы.

**ПРИМЕЧАНИЕ:** Если не нажать кнопку включения, газонокосилка не запустится, даже если потянуть рычажный выключатель.

**ПРИМЕЧАНИЕ:** Газонокосилка может не запуститься по причине перегрузки, если вы косите высокую или густую траву. В таком случае увеличьте высоту стрижки.

Данная газонокосилка оснащена выключателем блокировки и ручкой с выключателем. Заметив какие-либо отклонения в работе любого из этих выключателей, немедленно прекратите работу и проверьте их в ближайшем авторизованном сервисном центре Makita.

1. Установите блоки аккумуляторов. Вставьте ключ блокировки в выключатель блокировки и закройте крышку аккумулятора.
2. Нажмите главный переключатель питания.
3. Нажмите и удерживайте кнопку включения.
4. Возьмите верхнюю рукоятку и потяните рычажный переключатель.

► **Рис.19:** 1. Кнопка включения 2. Верхняя рукоятка 3. Рычаг переключателя

**ПРИМЕЧАНИЕ:** Если ключ блокировки не вставлен, при нажатии на пусковой рычаг индикатор питания начнет мигать зеленым.

5. Как только двигатель заработает, отпустите кнопку включения. Газонокосилка продолжит работать до тех пор, пока вы не отпустите рычажный выключатель.
6. Для выключения двигателя отпустите рычажный выключатель.

## Регулировка высоты стрижки

**⚠ ОСТОРОЖНО:** При регулировке высоты стрижки не подсовывайте руку или ногу под газонокосилку.

**⚠ ОСТОРОЖНО:** Перед началом работы обязательно проверяйте, что рычаг хорошо входит в паз.

### Модель DLM460

Высоту скашивания можно регулировать в диапазоне от 20 мм до 75 мм.

### Модель DLM461

Высоту скашивания можно регулировать в диапазоне от 16 мм до 71 мм.

Вытащите ключ блокировки, потяните рычаг регулировки высоты скашивания наружу относительно корпуса газонокосилки и переместите его в положение, соответствующее желаемой высоте скашивания.

► **Рис.20:** 1. Рычаг регулировки высоты скашивания

Возьмитесь одной рукой за переднюю рукоятку и перемещайте рычаг регулировки высоты скашивания второй рукой.

► **Рис.21:** 1. Рычаг регулировки высоты скашивания 2. Передняя рукоятка

**ПРИМЕЧАНИЕ:** Значения высоты стрижки приведены только для справки. В зависимости от состояния газона и почвы конечная высота скошенной травы может незначительно отличаться от заданной.

**ПРИМЕЧАНИЕ:** Чтобы добиться желаемой высоты, выполните пробное скашивание на не слишком заметном участке газона.

## Регулировка высоты рукоятки

**⚠ ВНИМАНИЕ:** Прежде чем удалить болты, крепко возьмитесь за верхнюю рукоятку. Несоблюдение данного требования может привести к получению травм при падении рукоятки.

Рукоятка имеет трехступенчатую регулировку высоты.

1. Ослабьте накатные гайки нижней рукоятки и удалите болты, шайбу и накатные гайки.

► **Рис.22:** 1. Накатная гайка 2. Шайба 3. Болт

2. Отрегулируйте высоту рукоятки.

3. Вставьте болты изнутри, затем наденьте шайбы снаружи и затяните накатные гайки.

## Использование насадки для мульчирования

Насадка для мульчирования позволяет сбрасывать измельченную траву обратно на газон, не собирая ее в корзину для травы. При работе с машиной, на которой установлена насадка для мульчирования, снимите корзину для травы.

## Электронная функция

Для простоты эксплуатации устройство оснащено электронными функциями.

- Постоянный контроль скорости  
Электронное управление скоростью инструмента для достижения постоянной скорости. Возможность получения тонкой отделки, так как скорость вращения держится на постоянном уровне даже при условиях нагрузки.
- Плавный запуск  
Функция плавного запуска уменьшает пусковой удар и смягчает запуск устройства.

## ЭКСПЛУАТАЦИЯ

### Скашивание

**⚠ ОСТОРОЖНО:** Перед скашиванием уберегите с газона ветки и камни. Кроме того, заблаговременно очистите газон от сорняков.

**⚠ ОСТОРОЖНО:** При использовании газонокосилки обязательно надевайте защитные очки с боковыми щитками.

**⚠ ВНИМАНИЕ:** Если внутри корпуса газонокосилки набилась скошенная трава или посторонние предметы, перед очисткой корпуса обязательно вытащите ключ блокировки и блок аккумулятора и наденьте перчатки.

**ПРИМЕЧАНИЕ:** Используйте машину только для стрижки газонов. Не используйте ее для скашивания сорняков.

► **Рис.23**

Во время работы крепко удерживайте рукоятку обеими руками.

Рекомендованная скорость кошения составляет приблизительно 1 м за 4 с.

► **Рис.24**

Центральные линии на передних колесах показывают ширину полосы скашивания. Используйте их в качестве направляющих, косите полосами. Чтобы равномерно подстричь газон, захватывайте половину или третью часть предыдущей полосы.

► **Рис.25:** 1. Ширина скашивания 2. Зона захвата 3. Центральная линия

Каждый раз меняйте направление движения, чтобы избежать пригибания травы в одном направлении.

► **Рис.26**

Периодически проверяйте степень заполнения корзины для травы. Опорожните корзину, прежде чем она заполнится полностью. Перед каждой проверкой обязательно останавливайте газонокосилку и извлеките ключ блокировки и блок аккумулятора.

**ПРИМЕЧАНИЕ:** Эксплуатация газонокосилки с заполненной корзиной для травы мешает плавному вращению лезвия и оказывает дополнительную нагрузку на двигатель, что может привести к поломке.

## Скашивание высокой травы

Не старайтесь скосить длинную траву за один заход. Вместо этого выполняйте работу в несколько этапов. Стригите газон с интервалом в один или два дня до тех пор, пока он не станет ровным.

► **Рис.27**

**ПРИМЕЧАНИЕ:** Скашивание высокой травы за один проход может стать причиной ее засыхания. Скошенная трава также может застрять в корпусе косилки.

## Опорожнение корзины для травы

**⚠ ОСТОРОЖНО:** Чтобы снизить риск несчастного случая, регулярно проверяйте корзину для травы на предмет повреждений и потери прочности. При необходимости замените ее.

1. Отпустите рычажный выключатель.
2. Извлеките ключ блокировки.
3. Откройте заднюю крышку и извлеките корзину для травы за специальную рукоятку.  
► **Рис.28:** 1. Задняя крышка 2. Ручка 3. Корзина для травы
4. Опорожните корзину для травы.

## ОБСЛУЖИВАНИЕ

**⚠ ОСТОРОЖНО:** Перед помещением на хранение, переноской, осмотром или техническим обслуживанием газонокосилки обязательно вынимайте ключ блокировки и блок аккумулятора.

**⚠ ОСТОРОЖНО:** Если газонокосилка не используется, обязательно извлеките ключ блокировки. Храните ключ блокировки в безопасном месте, недоступном для детей.

**⚠ ОСТОРОЖНО:** При осмотре и обслуживании надевайте защитные перчатки.

**⚠ ОСТОРОЖНО:** При осмотре и техническом обслуживании газонокосилки обязательно надевайте защитные очки с боковыми щитками.

**ПРИМЕЧАНИЕ:** Запрещается использовать бензин, растворители, спирт и другие подобные жидкости. Это может привести к обесцвечиванию, деформации и трещинам.

Для обеспечения БЕЗОПАСНОСТИ и НАДЕЖНОСТИ оборудования ремонт, любое другое техобслуживание или регулировку необходимо производить в уполномоченных сервис-центрах Makita или сервис-центрах предприятия с использованием только сменных частей производства Makita.

## Обслуживание

1. Вытащите ключ блокировки и блоки аккумулятора и закройте крышку отсека аккумулятора.
2. Положите газонокосилку на бок и очистите обрезки травы, скопившиеся на днище.
3. Вода должна стекать к нижней части устройства, где крепится лезвие.

**ПРИМЕЧАНИЕ:** Запрещается мыть устройство струей воды с высоким напором.

4. Проверьте надежность затяжки всех гаек, болтов, рукояток, винтов, креплений и т. п.
5. Осмотрите подвижные части на предмет повреждений, поломок и износа. Необходимо отремонтировать или заменить поврежденные компоненты.
6. Храните газонокосилку в безопасном месте, недоступном для детей.

## Переноска газонокосилки

При переноске газонокосилки два человека должны удерживать ее за переднюю рукоятку и за нижнюю рукоятку, как показано на рисунке.

► **Рис.29:** 1. Нижняя рукоятка 2. Передняя рукоятка

## Хранение

Храните газонокосилку в помещении, в сухом, прохладном, запираемом месте. Не храните газонокосилку и зарядное устройство в местах, где температура может подниматься до 40 °C (104 °F) и выше.

1. Откройте заднюю крышку и извлеките корзину для травы за специальную рукоятку.

► **Рис.30:** 1. Задняя крышка 2. Рукоятка 3. Корзина для травы

2. Ослабьте накатные гайки и сложите верхнюю рукоятку.

► **Рис.31:** 1. Верхняя рукоятка 2. Накатная гайка

## Снятие или установка лезвия косилки

**⚠ ОСТОРОЖНО:** Обязательно извлекайте ключ блокировки и блок аккумулятора при снятии и установке лезвия. Невыполнение этого требования может привести к тяжелой травме.

**⚠ ОСТОРОЖНО:** После отпущения выключателя лезвие продолжает вращаться по инерции в течение нескольких секунд. Не приступайте к выполнению каких-либо операций, пока лезвие полностью не остановится.

**⚠ ОСТОРОЖНО:** При работе с лезвием обязательно надевайте защитные перчатки.

## Снятие лезвия газонокосилки

### Модель DLM460

1. Положите газонокосилку на бок, чтобы рычаг регулировки высоты стрижки оказался сверху.
2. Вставьте в газонокосилку деревянный брусок или другой аналогичный предмет для блокировки лезвия.
3. Поверните болт гаечным ключом против часовой стрелки.  
► **Рис.32:** 1. Лезвие газонокосилки 2. Гаечный ключ 3. Деревянный брусок
4. Вытащите последовательно болт, шайбу и лезвие газонокосилки.  
► **Рис.33:** 1. Лезвие газонокосилки 2. Шайба 3. Болт

### Модель DLM461

1. Положите газонокосилку на бок, чтобы рычаг регулировки высоты стрижки оказался сверху.
2. Поверните болт против часовой стрелки гаечным ключом, удерживая плиту основания.  
► **Рис.34:** 1. Гаечный ключ 2. Плита основания
3. Удалите последовательно болт, шайбу и плиту основания.  
► **Рис.35:** 1. Плита основания 2. Шайба 3. Болт
4. Чтобы снять отдельное лезвие, поверните болт против часовой стрелки гаечным ключом, удерживая плиту основания.  
► **Рис.36:** 1. Плита основания 2. Лезвие газонокосилки 3. Гаечный ключ

## Установка лезвия газонокосилки

Установка лезвия газонокосилки выполняется в порядке, обратном процедуре снятия.

**▲ ОСТОРОЖНО:** Осторожно установите лезвие. Оно должно быть направлено вверх и вниз. Расположите лезвие так, чтобы стрелка, обозначающая направление вращения, указывала наружу.

**▲ ОСТОРОЖНО:** Надежно затяните болт по часовой стрелке, чтобы зафиксировать лезвие.

**▲ ОСТОРОЖНО:** Убедитесь, что лезвие и все крепежные детали установлены правильно и надежно затянуты.

**▲ ОСТОРОЖНО:** При замене лезвий всегда следуйте инструкциям, приведенным в руководстве по эксплуатации.

### Модель DLM461

**ПРИМЕЧАНИЕ:** При установке лезвия газонокосилки сдвиньте его, как показано на рисунке, чтобы выступы касались лезвия газонокосилки.

- **Рис.37:** 1. Выступ 2. Лезвие газонокосилки

## ПОИСК И УСТРАНЕНИЕ НЕИСПРАВНОСТЕЙ

Прежде чем обращаться по поводу ремонта, проведите осмотр самостоятельно. Если обнаружена неисправность, не указанная в руководстве, не пытайтесь разобрать инструмент. Обратитесь в один из авторизованных сервисных центров Makita, в которых для ремонта всегда используются оригинальные детали Makita.

Состояние неисправности	Возможная причина (неисправности)	Способ устранения
Газонокосилка не запускается.	Не установлены два блока аккумуляторов.	Установите заряженные блоки аккумуляторов.
	Неисправен аккумулятор (под напряжением)	Зарядите блок аккумулятора. Если перезарядка не помогает, замените блок аккумулятора.
	Ключ блокировки не вставлен.	Вставьте ключ блокировки.
После непродолжительного использования двигатель останавливается.	Низкий уровень заряда аккумулятора.	Зарядите блок аккумулятора. Если перезарядка не помогает, замените блок аккумулятора.
	Установлена слишком малая высота срезания.	Увеличьте высоту срезания.
Двигатель не достигает максимальной частоты вращения.	Неправильно установлен блок аккумулятора.	Вставьте блок аккумулятора, как описано в этом руководстве.
	Заряд аккумулятора падает.	Зарядите блок аккумулятора. Если перезарядка не помогает, замените блок аккумулятора.
	Привод работает неправильно.	Обратитесь в местный авторизованный центр для ремонта.
Режущая головка не вращается: ⇒ немедленно выключите косилку!	Посторонний объект (например, ветка) застрял у лезвия.	Удалите посторонний предмет.
	Привод работает неправильно.	Обратитесь в местный авторизованный центр для ремонта.
Сильная вибрация: ⇒ немедленно выключите косилку!	Лезвие разбалансировано, изношено слишком сильно или неравномерно.	Замените лезвие.

## ДОПОЛНИТЕЛЬНЫЕ ПРИНАДЛЕЖНОСТИ

**⚠ ВНИМАНИЕ:** Данные принадлежности или приспособления рекомендуются для использования с инструментом Makita, указанным в настоящем руководстве. Использование других принадлежностей или приспособлений может привести к получению травмы. Используйте принадлежность или приспособление только по указанному назначению.

Если вам необходимо содействие в получении дополнительной информации по этим принадлежностям, свяжитесь с вашим сервис-центром Makita.

- Лезвие газонокосилки
- Оригинальный аккумулятор и зарядное устройство Makita

**ПРИМЕЧАНИЕ:** Некоторые элементы списка могут входить в комплект инструмента в качестве стандартных приспособлений. Они могут отличаться в зависимости от страны.







**Makita Europe N.V.** Jan-Baptist Vinkstraat 2,  
3070 Kortenberg, Belgium

**Makita Corporation** 3-11-8, Sumiyoshi-cho,  
Anjo, Aichi 446-8502 Japan

[www.makita.com](http://www.makita.com)

885657A981  
EN, SV, NO, FI, LV,  
LT, ET, RU  
20180921