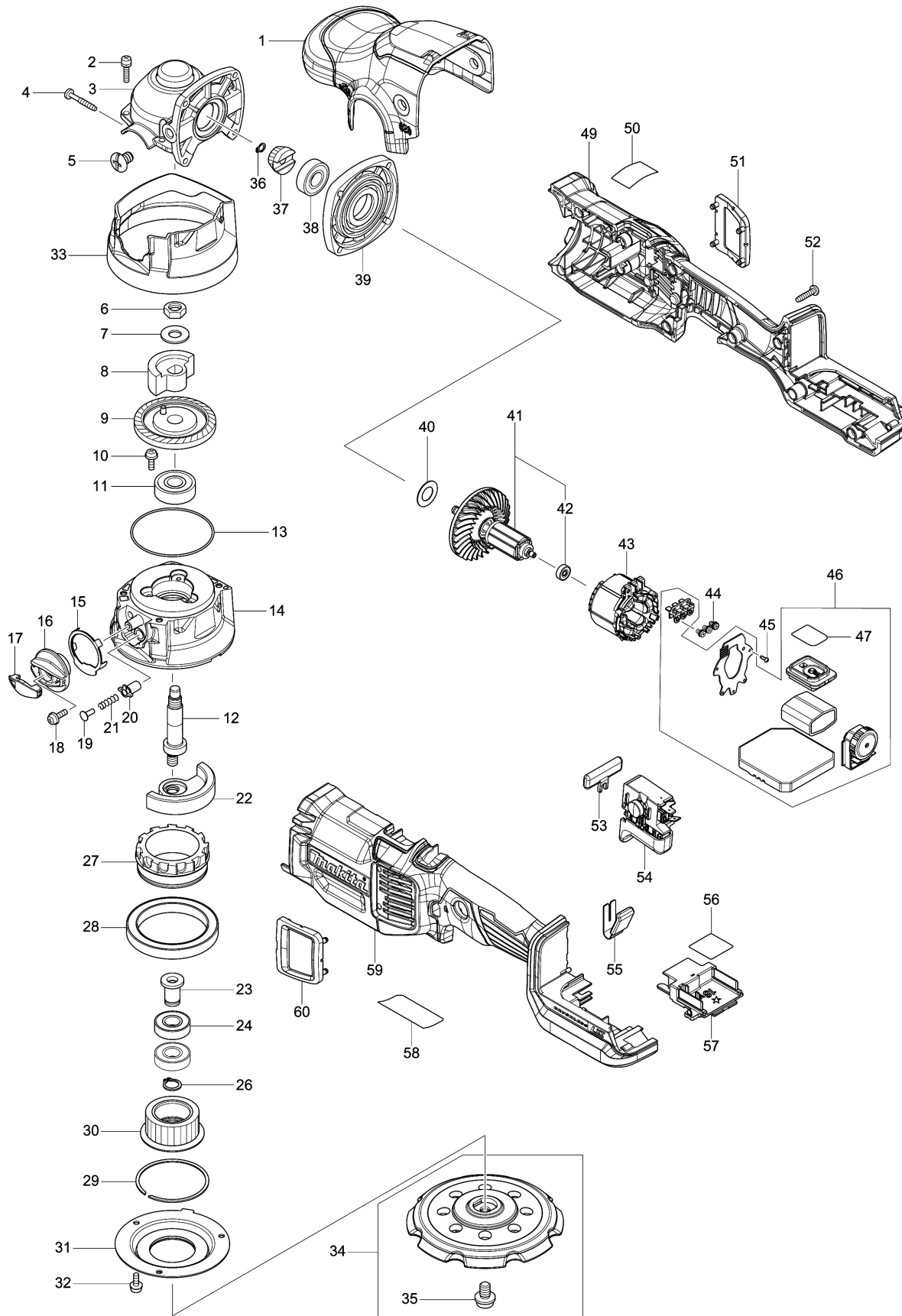


Model No.DPO500 125MM DC RANDOM ORBIT POLISHER



Model No.DPO500 125MM DC RANDOM ORBIT POLISHER

Item	Parts No.	Description	I/C	Qty	New/Old	Opt. 1	Opt. 2	Note
001	456805-0	HEAD COVER		1				
002	911126-2	PAN HEAD SCREW M4X16		4				
003	143783-0	GEAR HOUSING COMPLETE		1				
004	266257-5	TAPPING SCREW 4X28		4				
005	265083-9	+ FLAT HEAD SCREW M8X11		2				
006	931503-2	HEX. NUT M10		1				
007	253024-7	FLAT WASHER 10		1				
008	326735-8	UPPER BALANCE WEIGHT		1				
009	143782-2	SPIRAL BEVEL GEAR 37 COMPLETE		1				
010	911119-9	PAN HEAD SCREW M4X12		3				
011	211145-1	BALL BEARING 6201ZZ		1				
012	324069-3	SPINDLE		1				
013	213724-1	O RING 62		1				
014	143784-8	SKIRT COMPLETE		1				
015	153427-4	DUST SEAL WASHER COMPLETE		1				
016	143785-6	KNOB COMPLETE		1				
017	456809-2	CAP		1				
018	911119-9	PAN HEAD SCREW M4X12		1				
019	417382-7	SPRING HOLDER		1				
020	345209-0	HOLDER		1				
021	231230-4	COMPRESSION SPRING 4		1				
022	326736-6	LOWER BALANCE WEIGHT		1				
023	324070-8	SLEEVE		1				
024	211131-2	BALL BEARING 6001DDW		2				
026	961052-5	RETAINING RING S-12		1				
027	221453-2	INTERNAL SPUR GEAR 29		1				
028	210146-6	BALL BEARING 6811LLB		1				
029	257933-2	STOP RING (EXT) WR-55		1				
030	143790-3	SPUR GEAR 26 COMPLETE		1				
031	143938-7	BEARING RETAINER 80 COMPLETE		1				
032	911119-9	PAN HEAD SCREW M4X12		3				
033	456806-8	BUMPER		1				
034	197922-4	PAD 125 SET(EU)		1				
D10		INC. 35						
035	266270-3	HEX.SOCKET HEAD BOLT M8X14		1				
036	961002-0	RETAINING RING S-6		1				
037	221450-8	SPIRAL BEVEL GEAR 10		1				
038	211142-7	BALL BEARING 6001LLB		1				
039	317359-1	GEAR HOUSING COVER		1				
040	253084-9	FLAT WASHER 12		1				

Please order the parts with part number.

Print Date 1/8/2019

Model No.DPO500 125MM DC RANDOM ORBIT POLISHER

Item	Parts No.	Description	I/C	Qty	New/Old	Opt. 1	Opt. 2	Note
041	519546-0	ROTOR ASSY		1				
D10		INC. 42						
042	210036-3	BALL BEARING 604ZZ		1				
043	629391-6	STATOR		1				
044	652069-6	FLAT HEAD SCREW M3X6		3				
045	266490-9	TAPPING SCREW PT 2X6		3				
046	620A17-9	CONTROLLER COMPLETE		1				
D10		INC. 47						
047	818M11-7	SWITCH LABEL		1				
049	183K93-9	MOTOR HOUSING SET		1				
C10	263005-3	RUBBER PIN 6		2				
D10		INC. 59						
050	818M10-9	INDICATION LABEL		1				
051	422380-8	DUST COVER		1				
052	265995-6	TAPPING SCREW 4X18		10				
053	458972-7	LOCK OFF BUTTON		1				
054	651381-1	SWITCH C3JW-4B-2L64		1				
055	232494-3	LEAF SPRING		1				
056	855B96-6	DPO500 SERIAL NO. LABEL		1				
057	643874-2	TERMINAL		1				
058	855B93-2	DPO500 NAME PLATE		1				
059	183K93-9	MOTOR HOUSING SET		1				
C10	263005-3	RUBBER PIN 6		2				
D10		INC. 49						
060	422380-8	DUST COVER		1				
A01	783203-8	HEX. WRENCH 5		1				
A02	144163-3	GRIP 36 COMPLETE		1				
E01	688131-1	LINE FILTER		1				

Please order the parts with part number.

Print Date 1/8/2019