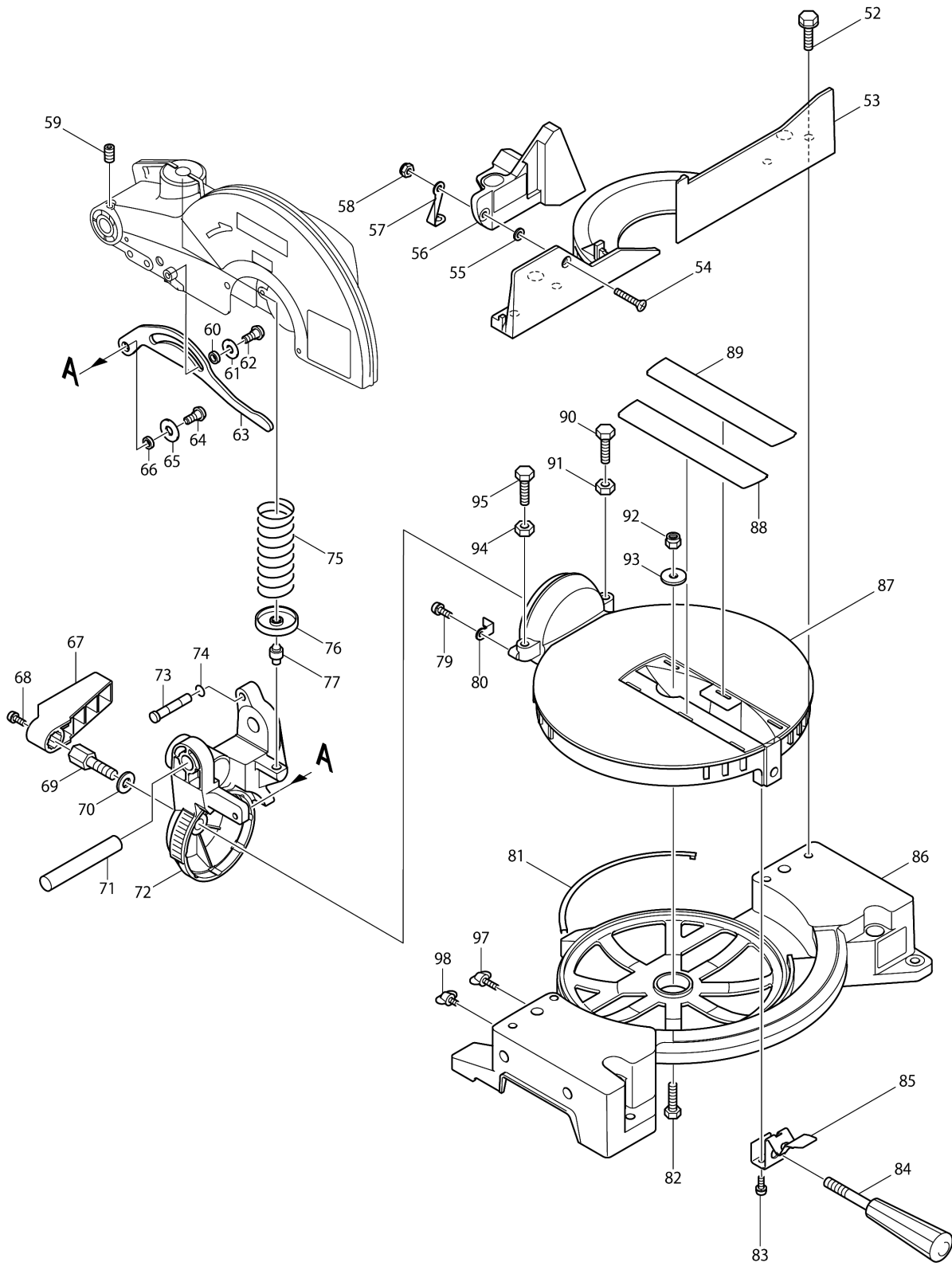


Model No.LS1040 MITER SAW 255MM



Model No.LS1040 MITER SAW 255MM

Item	Parts No.	Description	I/C	Qty	New/Old	Opt. 1	Opt. 2	Note
001A	416004-6	HANDLE COVER		1	*			
001B	416004-6	HANDLE COVER		1	*			
001-1A	458787-2	HANDLE COVER	<	1				
001-1B	458787-2	HANDLE COVER	<	1				
001-1C	458787-2	HANDLE COVER		1				
002	211206-7	BALL BEARING 6202LLB		1				
003A	253853-8	FLAT WASHER 15		1	*			
003B	253853-8	FLAT WASHER 15		1	*			
003-1A	267280-3	FLAT WASHER 15	<	1				
003-1B	267280-3	FLAT WASHER 15	<	1				
003-1C	267280-3	FLAT WASHER 15		1				
004	343641-2	SHAFT LOCK		1				
005	241909-9	FAN 80		1				
006C	516718-8	ARMATURE ASS'Y 220V		1				
D10		INC. 2,3,5,7,8						
006A_A	516718-8	ARMATURE ASS'Y 220V		1				
D10		INC. 2,3,5,7,8						
006A_B	516718-8	ARMATURE ASS'Y 220V		1				
D10		INC. 2,3,5,7,8						
007	681640-9	INSULATION WASHER		1				
008	211061-7	BALL BEARING 6000LLB		1				
009A_	416442-2	BAFFLE PLATE		1				
010B	528924-3	FIELD ASS'Y 220-240V		1				
C10	654020-2	RING TERMINAL		1				
C20	654502-4	CONNECTOR P-2		1				
010A_C	526068-3	FIELD ASS'Y 220-240V		1				
C10	654020-2	RING TERMINAL		1				
C20	654502-4	CONNECTOR P-2		1				
010B_A	526068-3	FIELD ASS'Y 220-240V		1				
C10	654020-2	RING TERMINAL		1				
C20	654502-4	CONNECTOR P-2		1				
011	265995-6	TAPPING SCREW 4X18		2				
012A1C	687124-5	STRAIN RELIEF		1				
012C_A	687063-9	CORD CLAMP		1	*			
012C_B	687063-9	CORD CLAMP		1	*			
012C1A	687052-4	STRAIN RELIEF	X	1	*			
012C1B	687052-4	STRAIN RELIEF	X	1	*			
012C2A	687124-5	STRAIN RELIEF	O	1				
012C2B	687124-5	STRAIN RELIEF	O	1				
013C1C	665865-3	POWER SUPPLY CORD 1.0-2-2.5		1				
013E_A	665865-3	POWER SUPPLY CORD 1.0-2-2.5		1				

Model No.LS1040 MITER SAW 255MM

Item	Parts No.	Description	I/C	Qty	New/Old	Opt. 1	Opt. 2	Note
013E_B	665865-3	POWER SUPPLY CORD 1.0-2-2.5		1				
014A1C	682540-6	CORD GUARD 9.3-90		1				
014B_A	682540-6	CORD GUARD 9.3-90		1				
014B_B	682540-6	CORD GUARD 9.3-90		1				
015A2A	851559-8	NAME PLATE LS1040		1				
015A2B	851559-8	NAME PLATE LS1040		1				
015A2C	855H16-6	LS1040 NAME PLATE		1				
016	265995-6	TAPPING SCREW 4X18		5				
017	911383-2	PAN HEAD SCREW M6X60		4				
018A	411478-6	SWITCH BUTTON		1				
018B	411478-6	SWITCH BUTTON		1				
018C	417113-4	SWITCH BUTTON		1				
019A	643650-4	BRUSH HOLDER CAP 6.5-13.5		2	*			
019B	643650-4	BRUSH HOLDER CAP 6.5-13.5		2	*			
019-1A	643650-4	BRUSH HOLDER CAP 6.5-13.5	O	2				
019-1B	643650-4	BRUSH HOLDER CAP 6.5-13.5	O	2				
019-1C	643650-4	BRUSH HOLDER CAP 6.5-13.5		2				
020A_	181044-0	CARBON BRUSH CB-153		1				
021C_A	150785-9	MOTOR HOUSING COMPLETE		1	*			
C10	817881-3	CAUTION LABEL		1	*			
C20	643660-1	BRUSH HOLDER 6.5-13.5		2	*			
021C_B	150785-9	MOTOR HOUSING COMPLETE		1	*			
C10	817881-3	CAUTION LABEL		1	*			
C20	643660-1	BRUSH HOLDER 6.5-13.5		2	*			
021C1A	153793-9	MOTOR HOUSING COMPLETE	<	1	*			
C10	817881-3	CAUTION LABEL		1	*			
C20	643660-1	BRUSH HOLDER 6.5-13.5		2	*			
021C1B	153793-9	MOTOR HOUSING COMPLETE	<	1	*			
C10	817881-3	CAUTION LABEL		1	*			
C20	643660-1	BRUSH HOLDER 6.5-13.5		2	*			
021C2A	154561-3	MOTOR HOUSING COMPLETE	<	1				
C10	810964-8	CAUTION LABEL		1				
C20	643660-1	BRUSH HOLDER 6.5-13.5		2	*			
C21	643653-8	BRUSH HOLDER 6.5-13.5	O	2	*			
C22	643536-2	BRUSH HOLDER 6.5X13.5	O	2				
021C2B	154561-3	MOTOR HOUSING COMPLETE	<	1				
C10	810964-8	CAUTION LABEL		1				
C20	643660-1	BRUSH HOLDER 6.5-13.5		2	*			
C21	643653-8	BRUSH HOLDER 6.5-13.5	O	2	*			
C22	643536-2	BRUSH HOLDER 6.5X13.5	O	2				
021C2C	140H35-8	MOTOR HOUSING COMPLETE		1				
C10	810964-8	CAUTION LABEL		1				

Please order the parts with part number.

Print Date 31/3/2020

Model No.LS1040 MITER SAW 255MM

Item	Parts No.	Description	I/C	Qty	New/Old	Opt. 1	Opt. 2	Note
C21	643536-2	BRUSH HOLDER 6.5X13.5		2				
022	651923-1	SWITCH TG70B		1				
023	231457-6	COMPRESSION SPRING 3		1				
024	416000-4	LOCK OFF LEVER		1				
025A	415999-0	SWITCH LEVER		1	*			
025B	415999-0	SWITCH LEVER		1	*			
025C	459017-4	SWITCH LEVER		1				
025-1A	459017-4	SWITCH LEVER	<	1				
025-1B	459017-4	SWITCH LEVER	<	1				
026	414546-4	CAM		1				
027	266029-8	TAPPING SCREW 5X65		2				
028	231297-2	COMPRESSION SPRING 9		1				
029	251667-9	HEX. BOLT M8X75		1				
030	262511-5	RUBBER SLEEVE 6		1				
031	265995-6	TAPPING SCREW 4X18		1				
032A	416007-0	GUIDE COVER		1	*			
032B	416007-0	GUIDE COVER		1	*			
032-1A	453695-2	GUIDE COVER	<	1				
032-1B	453695-2	GUIDE COVER	<	1				
032-1C	453695-2	GUIDE COVER		1				
033	226465-0	HELICAL GEAR 42		1				
034	316821-3	BEARING BOX		1				
035	211256-2	BALL BEARING 6203LLB		1				
036	285685-5	BEARING RETAINER 64		1				
037	322865-3	SPINDLE		1				
038	224333-1	FLANGE 53		1				
039	224333-1	FLANGE 53		1				
040	265355-2	HEX. FLANGE HEAD BOLT M8X20		1				
041	343639-9	CENTER PLATE		1				
042	344380-7	CENTER COVER		1				
043	265324-3	HEX. FLANGE HEAD BOLT M8X12		1				
044	231593-8	TORSION SPRING 36		1				
045	416003-8	SAFETY COVER		1				
046	267136-0	FLAT WASHER 5		1				
047A	911213-7	PAN HEAD SCREW M5X12		1	*			
047B	911213-7	PAN HEAD SCREW M5X12		1	*			
047-1A	922211-6	H.S.H.BOLT M5X12 WITH W	<	1				
047-1B	922211-6	H.S.H.BOLT M5X12 WITH W	<	1				
047-1C	922211-6	H.S.H.BOLT M5X12 WITH W		1				
048	265985-9	HEX.SOCKET HEAD BOLT M6		1				
049	911223-4	PAN HEAD SCREW M5X16		2				

Model No.LS1040 MITER SAW 255MM

Item	Parts No.	Description	I/C	Qty	New/Old	Opt. 1	Opt. 2	Note
050A	819064-1	MAKITA MARK		1	*			
050B	819064-1	MAKITA MARK		1	*			
051B_A	151489-6	BLADE CASE COMPLETE		1	*			
C10	817667-5	CAUTION LABEL		1	*			
C20	817874-0	CAUTION LABEL		1	*			
C30	263005-3	RUBBER PIN 6		1	*			
051B_B	151489-6	BLADE CASE COMPLETE		1	*			
C10	817667-5	CAUTION LABEL		1	*			
C20	817874-0	CAUTION LABEL		1	*			
C30	263005-3	RUBBER PIN 6		1	*			
051B1A	151489-6	BLADE CASE COMPLETE	O	1	*			
C10	817667-5	CAUTION LABEL		1	*			
C20	817874-0	CAUTION LABEL		1	*			
C30	263005-3	RUBBER PIN 6		1	*			
051B1B	151489-6	BLADE CASE COMPLETE	O	1	*			
C10	817667-5	CAUTION LABEL		1	*			
C20	817874-0	CAUTION LABEL		1	*			
C30	263005-3	RUBBER PIN 6		1	*			
051B2A	154560-5	BLADE CASE COMPLETE	<	1	*			
C10	817667-5	CAUTION LABEL		1	*			
C20	810968-0	CAUTION LABEL		1	*			
C30	263005-3	RUBBER PIN 6		1	*			
051B2B	154560-5	BLADE CASE COMPLETE	<	1	*			
C10	817667-5	CAUTION LABEL		1	*			
C20	810968-0	CAUTION LABEL		1	*			
C30	263005-3	RUBBER PIN 6		1	*			
051B3A	188330-0	BLADE CASE SET	O	1	*			
C10	817667-5	CAUTION LABEL		1	*			
C20	810968-0	CAUTION LABEL		1	*			
C30	263005-3	RUBBER PIN 6		1	*			
D10		INC.E22			*			
051B3B	188330-0	BLADE CASE SET	O	1	*			
C10	817667-5	CAUTION LABEL		1	*			
C20	810968-0	CAUTION LABEL		1	*			
C30	263005-3	RUBBER PIN 6		1	*			
D10		INC.E22			*			
051B4A	188330-0	BLADE CASE SET	O	1	*			
C10	816847-0	OPERATIONAL INDICATION LABEL	<	1	*			
C20	810968-0	CAUTION LABEL		1	*			
C30	263005-3	RUBBER PIN 6		1	*			
D10		INC.E22			*			
051B4B	188330-0	BLADE CASE SET	O	1	*			

Please order the parts with part number.

Print Date 31/3/2020

Model No.LS1040 MITER SAW 255MM

Item	Parts No.	Description	I/C	Qty	New/Old	Opt. 1	Opt. 2	Note
C10	816847-0	OPERATIONAL INDICATION LABEL	<	1	*			
C20	810968-0	CAUTION LABEL		1	*			
C30	263005-3	RUBBER PIN 6		1	*			
D10		INC.E22			*			
051B5A	140655-0	BLADE CASE COMPLETE	O	1	*			
C10	816847-0	OPERATIONAL INDICATION LABEL		1	*			
C20	810968-0	CAUTION LABEL		1	*			
C30	263005-3	RUBBER PIN 6		1	*			
051B5B	140655-0	BLADE CASE COMPLETE	O	1	*			
C10	816847-0	OPERATIONAL INDICATION LABEL		1	*			
C20	810968-0	CAUTION LABEL		1	*			
C30	263005-3	RUBBER PIN 6		1	*			
051B6A	141570-1	BLADE CASE COMPLETE	S	1				
C10	816847-0	OPERATIONAL INDICATION LABEL		1				
C20	810968-0	CAUTION LABEL		1				
C30	263005-3	RUBBER PIN 6		1				
051B6B	141570-1	BLADE CASE COMPLETE	S	1				
C10	816847-0	OPERATIONAL INDICATION LABEL		1				
C20	810968-0	CAUTION LABEL		1				
C30	263005-3	RUBBER PIN 6		1				
051B6C	140E51-2	BLADE CASE COMPLETE		1				
C10	816847-0	OPERATIONAL INDICATION LABEL		1				
C20	810968-0	CAUTION LABEL		1				
C30	263005-3	RUBBER PIN 6		1				
052A	921451-3	HEX. BOLT M8X30		4	*			
052B	921451-3	HEX. BOLT M8X30		4	*			
052-1A	265488-3	HEX. BOLT M8X30	O	4				
052-1B	265488-3	HEX. BOLT M8X30	O	4				
052-1C	265488-3	HEX. BOLT M8X30		4				
053A	316826-3	GUIDE RULE		1	*			
053B	316826-3	GUIDE RULE		1	*			
053-1A	316826-3	GUIDE RULE	O	1	*			
053-1B	316826-3	GUIDE RULE	O	1	*			
053-2A	318847-1	GUIDE RULE	<	1				
053-2B	318847-1	GUIDE RULE	<	1				
053-2C	318847-1	GUIDE RULE		1				
054	912342-9	COUNTERSUNK HEAD SCREW M6X25		1				
055	253715-0	FLAT WASHER 6		1				
056A_A	150663-3	SUB FENCE COMPLETE		1	*			

Model No.LS1040 MITER SAW 255MM

Item	Parts No.	Description	I/C	Qty	New/Old	Opt. 1	Opt. 2	Note
C10	810858-7	CAUTION LABEL		1	*			
056A_B	150663-3	SUB FENCE COMPLETE		1	*			
C10	810858-7	CAUTION LABEL		1	*			
056A1A	150663-3	SUB FENCE COMPLETE	O	1	*			
C10	810858-7	CAUTION LABEL		1	*			
056A1B	150663-3	SUB FENCE COMPLETE	O	1	*			
C10	810858-7	CAUTION LABEL		1	*			
056A2A	154559-0	SUB FENCE COMPLETE	<	1	*			
C10	810967-2	CAUTION LABEL		1	*			
056A2B	154559-0	SUB FENCE COMPLETE	<	1	*			
C10	810967-2	CAUTION LABEL		1	*			
056A3A	142816-8	SUB FENCE COMPLETE	<	1				
C10	810967-2	CAUTION LABEL		1				
056A3B	142816-8	SUB FENCE COMPLETE	<	1				
C10	810967-2	CAUTION LABEL		1				
056A3C	142816-8	SUB FENCE COMPLETE		1				
C10	810967-2	CAUTION LABEL		1				
057	344476-4	SUB FENCE PLATE		1				
058	252014-7	HEX. LOCK NUT M6-10		1				
059	251961-9	H.S.SET SCREW(FLAT POINT)M6X10		1				
060	257162-7	RING 7		1				
061	253823-7	FLAT WASHER 7		1				
062	265984-1	HEX.SOCKET BUTTON HEAD BOLT M6		1				
063	344377-6	LINK PLATE		1				
064	265984-1	HEX.SOCKET BUTTON HEAD BOLT M6		1				
065	253823-7	FLAT WASHER 7		1				
066	257162-7	RING 7		1				
067	416006-2	LEVER 100		1				
068	911113-1	PAN HEAD SCREW M4X10 WITH WR		1				
069	265437-0	HEX. BOLT M10		1				
070	253024-7	FLAT WASHER 10		1				
071	256836-7	ROD 16		1				
072A	150664-1	ARM COMPLETE		1	*			
C10	816310-3	SCALE LABEL		1	*			
072B	150664-1	ARM COMPLETE		1	*			
C10	816310-3	SCALE LABEL		1	*			
072-1A	150664-1	ARM COMPLETE	O	1	*			
C10	816310-3	SCALE LABEL		1	*			
072-1B	150664-1	ARM COMPLETE	O	1	*			
C10	816310-3	SCALE LABEL		1	*			

Model No.LS1040 MITER SAW 255MM

Item	Parts No.	Description	I/C	Qty	New/Old	Opt. 1	Opt. 2	Note
072-2A	154463-3	ARM COMPLETE	O	1				
C10	816310-3	SCALE LABEL		1				
072-2B	154463-3	ARM COMPLETE	O	1				
C10	816310-3	SCALE LABEL		1				
072-2C	154463-3	ARM COMPLETE		1				
C10	816310-3	SCALE LABEL		1				
073	322317-4	STOPPER PIN		1				
074	213021-5	O RING 5		1				
075	233152-4	COMPRESSION SPRING 28		1				
076A	343638-1	SPRING HOLDER		1	*			
076B	343638-1	SPRING HOLDER		1	*			
076-1A	344464-1	SPRING HOLDER	S	1				
076-1B	344464-1	SPRING HOLDER	S	1				
076-1C	344464-1	SPRING HOLDER		1				
077A_A	256260-4	PIN 8		1	*			
077A_B	256260-4	PIN 8		1	*			
077A1A	256280-8	PIN 8	S	1				
077A1B	256280-8	PIN 8	S	1				
077A1C	256280-8	PIN 8		1				
079	911113-1	PAN HEAD SCREW M4X10 WITH WR		1				
080	344385-7	POINTER		1				
081	343799-7	SLIDE PLATE		3				
082	921452-1	HEX. BOLT M8X30		1				
083	911213-7	PAN HEAD SCREW M5X12		2				
084	273495-2	GRIP 32		1				
085	344381-5	KNOCK SPRING		1				
086A_A	150648-9	BASE COMPLETE		1	*			
C10	816311-1	MITER SCALE PLATE		1	*			
C20	817838-4	CAUTION LABEL		1	*			
C30	817283-3	CAUTION LABEL		2	*			
086A_B	150648-9	BASE COMPLETE		1	*			
C10	816311-1	MITER SCALE PLATE		1	*			
C20	817838-4	CAUTION LABEL		1	*			
C30	817283-3	CAUTION LABEL		2	*			
086A1A	150648-9	BASE COMPLETE	O	1	*			
C10	816311-1	MITER SCALE PLATE		1	*			
C20	817838-4	CAUTION LABEL		1	*			
C30	817283-3	CAUTION LABEL		2	*			
086A1B	150648-9	BASE COMPLETE	O	1	*			
C10	816311-1	MITER SCALE PLATE		1	*			
C20	817838-4	CAUTION LABEL		1	*			
C30	817283-3	CAUTION LABEL		2	*			

Please order the parts with part number.

Print Date 31/3/2020

Model No.LS1040 MITER SAW 255MM

Item	Parts No.	Description	I/C	Qty	New/Old	Opt. 1	Opt. 2	Note
086A2A	154558-2	BASE COMPLETE	<	1				
C10	816311-1	MITER SCALE PLATE		1				
C20	810965-6	CAUTION LABEL		1				
C30	817283-3	CAUTION LABEL		2				
086A2B	154558-2	BASE COMPLETE	<	1				
C10	816311-1	MITER SCALE PLATE		1				
C20	810965-6	CAUTION LABEL		1				
C30	817283-3	CAUTION LABEL		2				
086A2C	140H28-5	BASE COMPLETE		1				
C10	816311-1	MITER SCALE PLATE		1				
C20	810965-6	CAUTION LABEL		1				
C30	813L22-1	CAUTION LABEL		2				
087A	316824-7	TURN BASE		1	*			
087B	316824-7	TURN BASE		1	*			
087-1A	316824-7	TURN BASE	O	1				
087-1B	316824-7	TURN BASE	O	1				
087-1C	316824-7	TURN BASE		1				
088	416001-2	KERF BOARD		1				
089	416001-2	KERF BOARD		1				
090A	921452-1	HEX. BOLT M8X30		1				
090B	921452-1	HEX. BOLT M8X30		1				
090C	265455-8	HEX. BOLT M8X28		1				
091A	931402-8	HEX. NUT M8		1				
091B	931402-8	HEX. NUT M8		1				
092	252105-4	HEX. LOCK NUT M8-13		1				
093-1	253762-1	FLAT WASHER 8		1				
094A	931402-8	HEX. NUT M8		1				
094B	931402-8	HEX. NUT M8		1				
095A	921452-1	HEX. BOLT M8X30		1				
095B	921452-1	HEX. BOLT M8X30		1				
095C	265455-8	HEX. BOLT M8X28		1				
096A_A	257137-6	RING 16		1	*			
096A_B	257137-6	RING 16		1	*			
096A1A	257262-3	RING 16	O	1				
096A1B	257262-3	RING 16	O	1				
096A1C	257262-3	RING 16		1				
097	251887-5	SCREW M6X10		1				
098A	265708-5	THUMB SCREW M6X20		2	*			
098B	265708-5	THUMB SCREW M6X20		2	*			
098-1A	911333-7	PAN HEAD SCREW M6X20	<	2				
098-1B	911333-7	PAN HEAD SCREW M6X20	<	2				
098-1C	265708-5	THUMB SCREW M6X20		2				

Model No.LS1040 MITER SAW 255MM

Item	Parts No.	Description	I/C	Qty	New/Old	Opt. 1	Opt. 2	Note
900A	344572-8	LOCK PLATE		1				
900B	344572-8	LOCK PLATE		1				
901A	323720-2	LOCK PIN 8		1	*			
901B	323720-2	LOCK PIN 8		1	*			
901-1A	326176-8	LOCK PIN 8	S	1				
901-1B	326176-8	LOCK PIN 8	S	1				
902A	231633-2	TORSION SPRING 8		1				
902B	231633-2	TORSION SPRING 8		1				
903A	323721-0	ROD 8		1				
903B	323721-0	ROD 8		1				
904A	421589-9	CAP		1				
904B	421589-9	CAP		1				
905A	344573-6	LOCK LEVER		1	*			
905B	344573-6	LOCK LEVER		1	*			
905-1A	345803-8	LOCK LEVER	S	1	*			
905-1B	345803-8	LOCK LEVER	S	1	*			
905-2A	346619-4	LOCK LEVER	<	1				
905-2B	346619-4	LOCK LEVER	<	1				
906A	911113-1	PAN HEAD SCREW M4X10 WITH WR		2				
906B	911113-1	PAN HEAD SCREW M4X10 WITH WR		2				
907A	911113-1	PAN HEAD SCREW M4X10 WITH WR		2				
907B	911113-1	PAN HEAD SCREW M4X10 WITH WR		2				
908A	424018-1	SUB LEVER		1				
908B	424018-1	SUB LEVER		1				
A01A	411478-6	SWITCH BUTTON		2	*			
A01B	411478-6	SWITCH BUTTON		2	*			
A02	762001-3	TRIANGULAR RULE		1				
A03	782212-4	SOCKET WRENCH 13		1				
A04A	122523-9	DUST BAG ASS'Y		1	*			
C10	410602-8	FASTENER		1	*			
A04B	122523-9	DUST BAG ASS'Y		1	*			
C10	410602-8	FASTENER		1	*			
A04-1A	122852-0	DUST BAG ASS'Y	O	1				
C10	410602-8	FASTENER		1				
A04-1B	122852-0	DUST BAG ASS'Y	O	1				
C10	410602-8	FASTENER		1				
A04-1C	122852-0	DUST BAG ASS'Y		1				
C10	410602-8	FASTENER		1				
A05A	122531-0	SUB PLATE ASS'Y		1	*			
C10	252148-6	SQUARE NUT M8		1	*			

Model No.LS1040 MITER SAW 255MM

Item	Parts No.	Description	I/C	Qty	New/Old	Opt. 1	Opt. 2	Note
C20	921431-9	HEX. BOLT M8X20		1	*			
A05B	122531-0	SUB PLATE ASS'Y		1	*			
C10	252148-6	SQUARE NUT M8		1	*			
C20	921431-9	HEX. BOLT M8X20		1	*			
A05-1A	193471-9	SUB PLATE ASS'Y	O	1	*			
C10	252148-6	SQUARE NUT M8		1	*			
C20	921431-9	HEX. BOLT M8X20		1	*			
A05-1B	193471-9	SUB PLATE ASS'Y	O	1	*			
C10	252148-6	SQUARE NUT M8		1	*			
C20	921431-9	HEX. BOLT M8X20		1	*			
A05-2A	195934-1	SUB PLATE ASS'Y	<	1				
C10	252148-6	SQUARE NUT M8		1				
C20	921431-9	HEX. BOLT M8X20		1				
A05-2B	195934-1	SUB PLATE ASS'Y	<	1				
C10	252148-6	SQUARE NUT M8		1				
C20	921431-9	HEX. BOLT M8X20		1				
A05-2C	193471-9	SUB PLATE ASS'Y		1				
C10	252148-6	SQUARE NUT M8		1				
C20	921431-9	HEX. BOLT M8X20		1				
A06	122536-0	WISE ASS'Y		1				
C10	251370-2	+ PAN HEAD SCREW M5		1				
C20	251887-5	SCREW M6X10		1				
C30	253804-1	FLAT WASHER 6		1				
C40	271286-5	KNOB 40		1				
C50	316938-2	WISE ARM		1				
C60	322313-2	WISE ROD		1				
C70	343651-9	WISE PLATE		1				
A07	257022-3	RING 16		1				
A08A	322312-4	HOLDER		2	*			
A08B	322312-4	HOLDER		2	*			
A08-1A	123101-8	HOLDER ASSEMBLY	<	2				
C10	286212-1	CAP 20		4				
C20	326182-3	HOLDER		2				
C30	332036-4	ADJUSTER		4				
A08-1B	123101-8	HOLDER ASSEMBLY	<	2				
C10	286212-1	CAP 20		4				
C20	326182-3	HOLDER		2				
C30	332036-4	ADJUSTER		4				
A08-1C	322312-4	HOLDER		2				
A09C	A-80961	T.C.T.SAW BLADE 255X32X30		1				
B01C	192621-3	HOLDER SET		1				
D10		INC. 098,A08						

Model No.LS1040 MITER SAW 255MM

Item	Parts No.	Description	I/C	Qty	New/Old	Opt. 1	Opt. 2	Note
E02B	645200-1	NOISE SUPPRESSOR		1				
E02C	645105-5	NOISE SUPPRESSOR		1				
E02A_A	645105-5	NOISE SUPPRESSOR		1				
E03B	266300-0	TAPPING SCREW 4X18		1	*			
E03-1B	265678-8	TAPPING SCREW 4X18	O	1				
E04B	631588-5	SOFT START CIRCUIT		1				
E05	651941-9	SWITCH V-15-2A5		1				
E06B	654509-0	CONNECTOR 2-SD		1				
E18A	A-80961	T.C.T.SAW BLADE 255X32X30		1				
E18B	A-80961	T.C.T.SAW BLADE 255X32X30		1				
E19	646073-5	CHOKE COIL		1				
E22A	819064-1	MAKITA MARK		1	*			
E22B	819064-1	MAKITA MARK		1	*			
E22-1A	819214-8	MAKITA LOGO LABEL	X	1	*			
E22-1B	819214-8	MAKITA LOGO LABEL	X	1	*			

Please order the parts with part number.

Print Date 31/3/2020