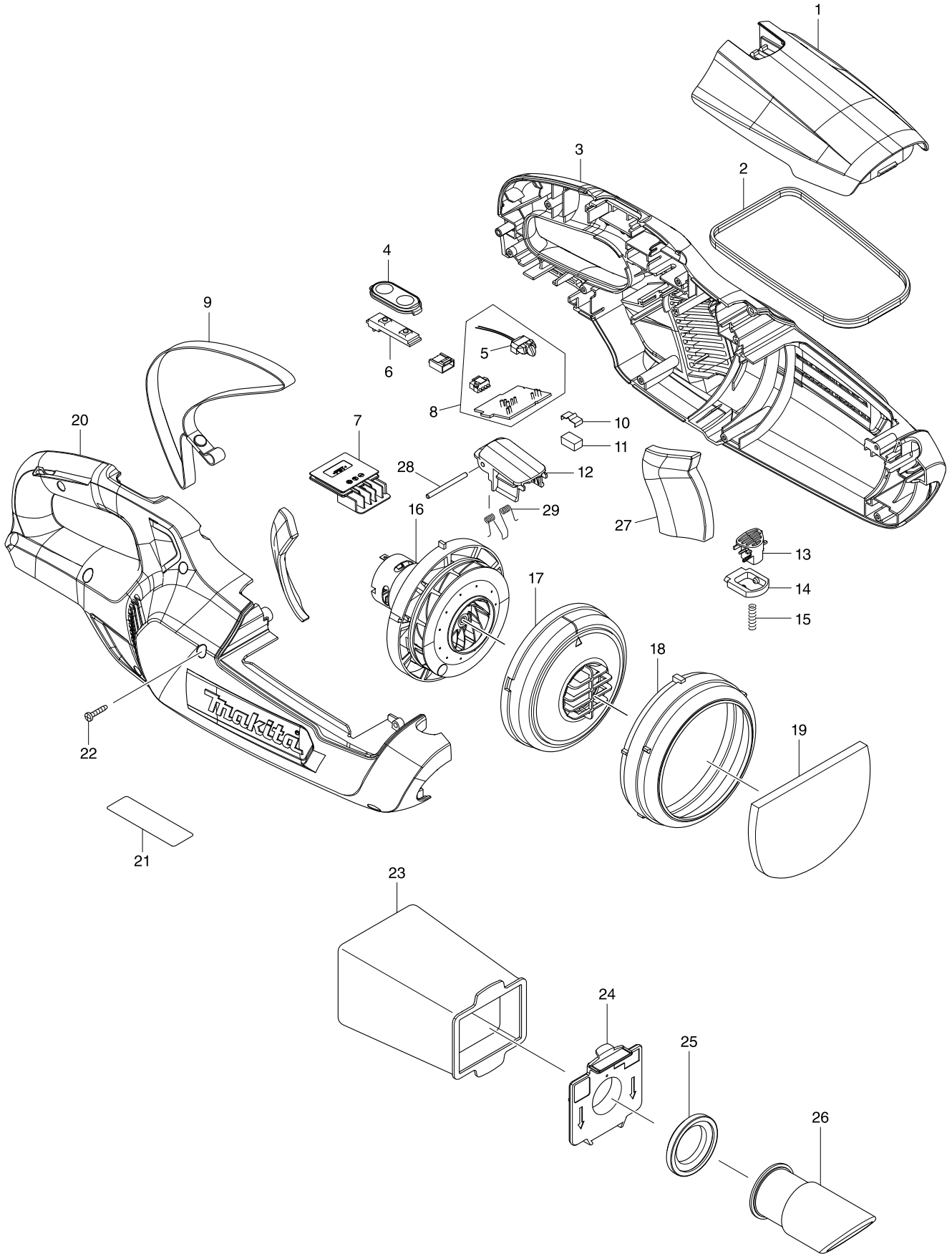


Model No. CL107FD CORDLESS CLEANER



Model No. CL107FD CORDLESS CLEANER

Item	Parts No.	Description	I/C	Qty	N/O	Opt. 1	Opt. 2	Note
001	457148-3	FRONT COVER		1				
002	424912-7	SEAL		1				
003	183E87-8	HOUSING SET		1				
D10		INC. 20						
004	144096-2	SWITCH PLATE COMPLETE		1				
005	620601-4	LED CIRCUIT		1				
006	631973-2	SWITCH UNIT		1				
007	644813-5	TERMINAL		1				
008	632H51-9	CONTROLLER UNIT		1				
C10	688161-2	LINE FILTER		2				
D10		INC. 5						
010	232264-0	LEAF SPRING		1				
011	424367-6	RUBBER		1				
012	457151-4	FRONT COVER JOINT		1				
013	457150-6	BUTTON		1				
014	452352-9	STOPPER		1				
015	233344-5	COMPRESSION SPRING 4		1				
016	123293-3	MOTOR ASSEMBLY		1				
017	454084-4	FAN COVER		1				
018	424320-2	RUBBER RING		1				
019	424804-0	SUPONGE SHEET 76-110		1				
020	183E87-8	HOUSING SET		1				
D10		INC. 3						
021	852S30-9	CL107FD NAME PLATE		1				
022	266429-2	TAPPING SCREW 3X16		9				
023	166084-9	DUST BAG		1				
024	143677-9	VALVE STAY COMPLETE		1				
025	424094-5	PACKING		1				
026	457149-1	INLET		1				
027	424913-5	SPONGE SHEET 35-70		2				
028	268271-7	PIN 3		1				
029	233580-3	TORSION SPRING 4		1				
A01	123486-2	NOZZLE ASSEMBLY		1				
C10	451410-8	ROLLER		4				
C20	268208-4	PIN 3		4				
C30	424096-1	WIPER		1				
A02	451240-7	SASH NOZZLE		1				
A03	451241-5	PIPE		1				
A04	451242-3	SASH NOZZLE HOLDER		1				
A05	194566-1	PAPER FILTER SET (5PCS/SET)		1				
A06	456128-6	BATTERY COVER		1				
A07	***DC10WC	DC10WC BATTERY CHARGER		1				
D10		COMPO-PARTS						
A08	197394-3	BATTERY BL1020B SET		1				