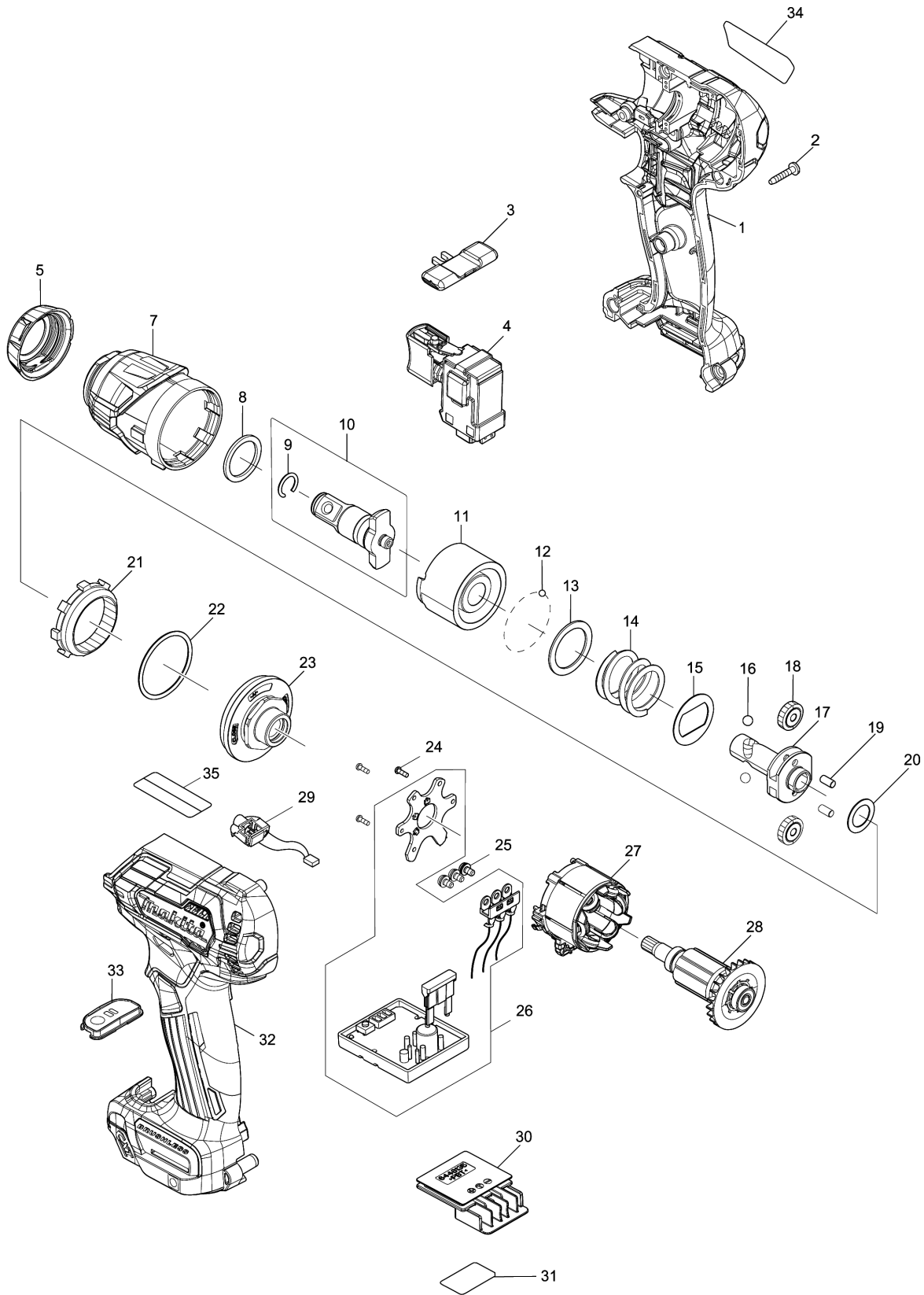


Model No.TW161D CORDLESS IMPACT WRENCH



Model No.TW161D CORDLESS IMPACT WRENCH

Item	Parts No.	Description	I/C	Qty	New/Old	Opt. 1	Opt. 2	Note
001	183L31-7	HOUSING SET		1				
C10	263002-9	RUBBER PIN 4		2				
C20	252126-6	HEX. LOCK NUT M4-7		2				
D10		INC. 32						
002	266429-2	TAPPING SCREW 3X16		9				
003	455053-8	F/R CHANGE LEVER		1				
004	143975-1	SWITCH COMPLETE		1				
C10	424890-1	SWITCH COVER		1				
005	422407-4	BUMPER		1				
007	140K41-1	HAMMER CASE COMPLETE		1				
C10	213882-3	O-RING 16		1				
008	261159-0	NYLON WASHER 19		1				
009	231907-1	RING SPRING 10		1				
010	136030-6	ANVIL E ASSY		1				
D10		INC. 9						
011	327200-0	HAMMER		1				
012	216019-1	STEEL BALL 3		24				
013	267352-4	FLAT WASHER 22		1				
014	232516-9	COMPRESSION SPRING 21		1				
015	267813-4	WASHER 21		1				
016	216002-8	STEEL BALL 4.8		2				
017	327046-4	SPINDLE		1				
018	227213-0	SPUR GEAR 17		2				
019	268217-3	PIN 3.5		2				
020	253052-2	FLAT WASHER 12		1				
021	227316-0	INTERNAL GEAR 43		1				
022	213479-8	O RING 33		1				
023	140G75-0	BEARING BOX COMPLETE		1				
C10	213845-9	O-RING 13		1				
024	266490-9	TAPPING SCREW PT 2X6		3				
025	652069-6	FLAT HEAD SCREW M3X6		3				
026	620998-1	CONTROLLER		1				
027	629398-2	STATOR		1				
028	619491-0	ROTOR		1	*			
028-1	619491-0	ROTOR	O	1				
029	620999-9	LED CIRCUIT		1				
030	644813-5	TERMINAL		1				
031	855S26-9	TW161D SERIAL NO. LABEL		1				
032	183L31-7	HOUSING SET		1				
C10	263002-9	RUBBER PIN 4		2				
C20	252126-6	HEX. LOCK NUT M4-7		2				
D10		INC. 1						

Please order the parts with part number.

Print Date 2/9/2020

Model No.TW161D CORDLESS IMPACT WRENCH

Item	Parts No.	Description	I/C	Qty	New/Old	Opt. 1	Opt. 2	Note
033	140G52-2	SWITCH PLATE COMPLETE		1				
C10	818X19-7	SWITCH LABEL		1				
034	855S19-6	TW161D NAME PLATE		1				
A01	266622-8	+ TRUSS HEAD SCREW M4X12		1				
A02	346909-5	HOOK		1				
A03B	821549-5	CONNECTOR PLASTIC CASE (TYPE1)		1				
C10	453974-8	LATCH		4				
A04B	***DC10SB	DC10SB BATTERY CHARGER		1				
D10		COMPO-PARTS						
A05B	197396-9	BATTERY BL1021B SET		2	*			
A05-1B	197396-9	BATTERY BL1021B SET	O	2				
A06B	456128-6	BATTERY COVER		1				
A07B	838312-9	INNER TRAY		1				
A08B	819K38-8	TW161DSAJ INDICATION LABEL		1				
A09B	819K39-6	TW161DSAJ PLASTIC CASE LABEL		2				

Please order the parts with part number.

Print Date 2/9/2020