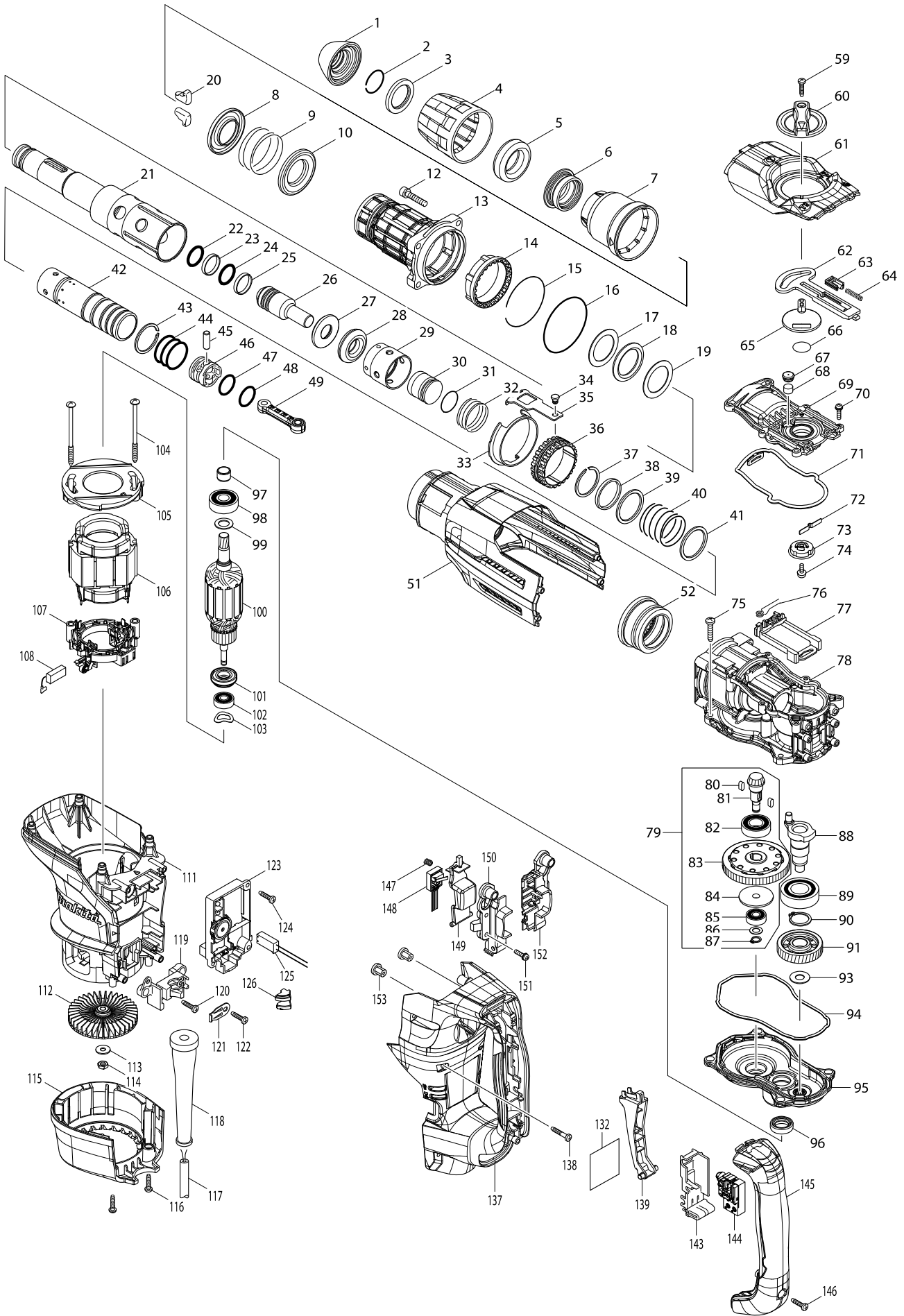


Model No. HR4003C 40MM ROTARY HAMMER



Model No. HR4003C 40MM ROTARY HAMMER

Item	Parts No.	Description	I/C	Qty	N/O	Opt. 1	Opt. 2	Note
001	286292-7	TOOL HOLDER CAP		1				
002	233948-3	RING SPRING 25		1				
003	257308-5	RING 28		1				
004	454330-5	CHUCK COVER		1				
005	262167-4	RUBBER RING 30		1				
006	326272-2	CHUCK RING		1				
007	454331-3	RELEASE COVER		1				
008	346670-4	SPRING GUIDE		1				
009	234288-2	COMPRESSION SPRING 46		1				
010	346670-4	SPRING GUIDE		1				
012	922351-0	HEX. SOCKET HEAD BOLT M6X30		4				
013	141956-9	BARREL COMPLETE		1				
C10	213246-1	O-RING 38 SA1004		1				
C20	213490-0	OIL SEAL 32		1				
C30	213492-6	O-RING 32		1				
014	454337-1	LOCK SLEEVE		1				
015	234290-5	RING SPRING 59		1				
016	213707-1	O RING 65		1				
017	267469-3	FLAT WASHER 32		1				
018	262168-2	RUBBER RING 32		1				
019	267469-3	FLAT WASHER 32		1				
020	310257-8	TOOL RETAINER		2				
021	326268-3	TOOL HOLDER		1				
022	213317-4	O RING 20		1				
023	213392-0	FLUORIDE RING 25		1				
024	213317-4	O RING 20		1				
025	213392-0	FLUORIDE RING 25		1				
026	326269-1	IMPACT BOLT		1				
027	326274-8	RING 17		1				
028	262166-6	RUBBER RING 18		1				
029	454347-8	SLIDE SLEEVE		1				
030	326270-6	STRIKER		1				
031	213695-2	O-RING 22		1				
032	234289-0	COMPRESSION SPRING 33		1				
033	346673-8	GUIDE RING		1				
034	256548-2	FLAT FILLISTER HEAD PIN 6		1				
035	346671-2	LINK PLATE		1				
036	313255-1	DRIVING SLEEVE		1				
037	257991-8	RETAINING RING (EXT) WR-32.5		1				
038	257340-9	RING 33		1				
039	267470-8	FLAT WASHER 33		1				
040	234287-4	COMPRESSION SPRING 34		1				
041	267470-8	FLAT WASHER 33		1				
042	332063-1	CYLINDER 28.5		1				
043	257991-8	RETAINING RING (EXT) WR-32.5		1				
044	213406-5	O RING 30		3				
045	256197-5	PIN 7		1				
046	419004-5	PISTON		1				

Model No. HR4003C 40MM ROTARY HAMMER

Item	Parts No.	Description	I/C	Qty	N/O	Opt. 1	Opt. 2	Note
047	213379-2	O RING 21		1				
048	213695-2	O-RING 22		1				
049	454317-7	CONNECTING ROD		1				
051	141958-5	HOUSING COVER B COMPLETE		1				
052	227613-4	SPIRAL BEVEL GEAR 26		1				
059	265995-6	TAPPING SCREW 4X18		1				
060	454326-6	CHANGE LEVER		1				
061	318988-3	CRANK CAP COVER		1				
062	454339-7	CONTROL PLATE		1				
063	454340-2	SLIDE PLATE		1				
064	234284-0	COMPRESSION SPRING 4		1				
065	454345-2	CRANK LEVER		1				
066	213262-3	O RING 18		1				
067	424556-3	FILTER CAP		1				
068	443182-9	FILTER		1				
069	454319-3	CRANK CAP		1				
070	911128-8	PAN HEAD SCREW M4X16		6				
071	424559-7	SEAL RING B		1				
072	232280-2	LEAF SPRING		1				
073	454318-5	LINK LEVER		1				
074	911511-9	PAN HEAD SCREW M4X10		1				
075	266041-8	TAPPING SCREW 5X25		4				
076	233603-7	TORSION SPRING 7		1				
077	454338-9	LINK GUIDE		1				
078	141954-3	CRANK HOUSING B COMPLETE		1				
079	126290-8	TORQUE LIMITER ASSEMBLY		1				
D10		INC. 80-87						
080	254239-9	KEY 4		2				
081	227612-6	SPIRAL BEVEL GEAR 7		1				
082	211232-6	BALL BEARING 6002LLU		1				
083	141959-3	TORQUE LIMITER COMPLETE		1				
084	324727-1	SHOULDER WASHER 8		1				
085	210005-4	BALL BEARING 608DDW		1				
086	253215-0	FLAT WASHER 8		1				
087	961004-6	RETAINING RING S-8		1				
088	326271-4	CRANK SHAFT		1				
089	211332-2	BALL BEARING 6004LLU		1				
090	961060-6	RETAINING RING S-20		1				
091	227772-4	HELICAL GEAR 37		1				
093	253180-3	FLAT WASHER 10		1				
094	424558-9	SEAL RING A		1				
095	141955-1	GEAR HOUSING COMPLETE		1				
096	213231-4	OIL SEAL 15		1				
097	331596-3	SLEEVE 12		1				
098	211137-0	BALL BEARING 6201LLU		1				
099	253744-3	FLAT WASHER 12		1				
100	513888-4	ARMATURE ASS'Y 220-240V		1				
D10		INC. 97,98,99,101,102						

Model No. HR4003C 40MM ROTARY HAMMER

Item	Parts No.	Description	I/C	Qty	N/O	Opt. 1	Opt. 2	Note
101	681650-6	INSULATION WASHER		1				
102	210005-4	BALL BEARING 608DDW		1				
103	267721-9	WAVE WASHER 15		1				
104	266568-8	TAPPING SCREW 5X80		2				
105	454329-0	BAFFLE PLATE		1				
106	625758-6	FIELD 220-240V		1				
107	632A84-2	BRUSH HOLDE UNIT		1				
108	194160-9	CARBON BRUSH CB-350		1				
111	454316-9	MOTOR HOUSING		1				
112	240146-2	FAN 76		1				
113	253047-5	FLAT WASHER 6		1				
114	931303-0	HEX. NUT M6		1				
115	454328-2	REAR COVER		1				
116	265995-6	TAPPING SCREW 4X18		2				
117	695123-3	POWER SUPPLY CORD 1.5-2-4.0		1				
118	682560-0	CORD GUARD 10		1				
119	419024-9	CORD CLAMP BASE		1				
120	265995-6	TAPPING SCREW 4X18		1				
121	687169-3	STRAIN RELIEF		1				
122	265995-6	TAPPING SCREW 4X18		1				
123	620202-8	CONTROLLER		1				
124	265995-6	TAPPING SCREW 4X18		1				
125	632B52-1	LEAD UNIT		1				
126	454346-0	LENS		1				
132	814T27-2	HR4003C NAME PLATE		1				
137	454322-4	HANDLE B		1				
138	265999-8	TAPPING SCREW 4X25		6				
139	454333-9	SWITCH LEVER B		1				
143	154626-1	SWITCH HOLDER COMPLETE		1				
144	650678-5	SWITCH C3PA-1121		1				
145	454323-2	HANDLE COVER		1				
146	265995-6	TAPPING SCREW 4X18		1				
147	234281-6	COMPRESSION SPRING 6		1				
148	632A83-4	SWITCH UNIT		1				
149	454336-3	SWITCH LEVER C		1				
150	187692-3	SWITCH CASE SET		1				
D10		INC. 152						
151	911128-8	PAN HEAD SCREW M4X16		4				
152	187692-3	SWITCH CASE SET		1				
D10		INC. 150						
153	286255-3	CAP 13		2				
A01	123138-5	SIDE GRIP ASSEMBLY		1				
A02	196792-8	SIDE HANDLE 73 SET		1				
A03	194683-7	GREASE VESSEL SET		1				
A04	196277-4	PLASTIC CASE SET		1				
C10	837544-5	INNER TRAY		1				
C20	801Y02-7	INDICATION LABEL		1				
C30	162271-8	LATCH		2				

