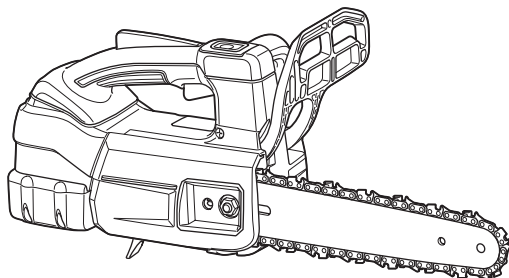




EN	Cordless Chain Saw	INSTRUCTION MANUAL	8
SV	Batteridrivnen kedjesåg	BRUKSANVISNING	20
NO	Batteridrevet kjedesag	BRUKSANVISNING	32
FI	Langaton ketjusaha	KÄYTTÖOHJE	44
LV	Bezvada motorzāģis	LIETOŠANAS INSTRUKCIJA	56
LT	Belaidis grandininis pjūklas	NAUDOJIMO INSTRUKCIJA	68
ET	Juhtmeta kettsaag	KASUTUSJUHEND	80
RU	Цепная пила с питанием от аккумуляторной батареи	РУКОВОДСТВО ПО ЭКСПЛУАТАЦИИ	92

DUC204
DUC254
DUC254C



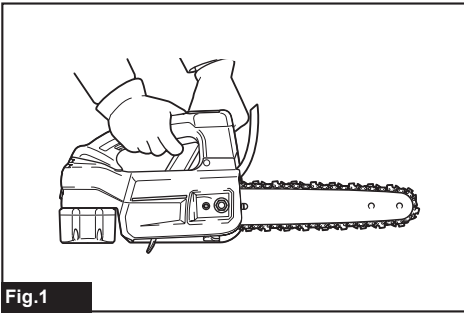


Fig.1

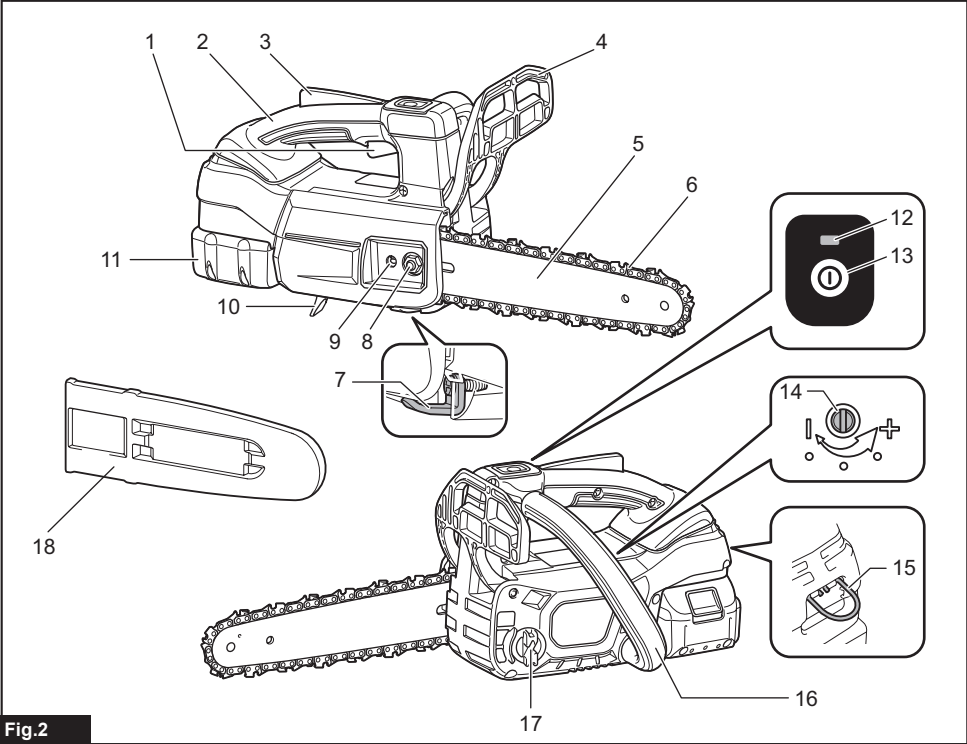


Fig.2

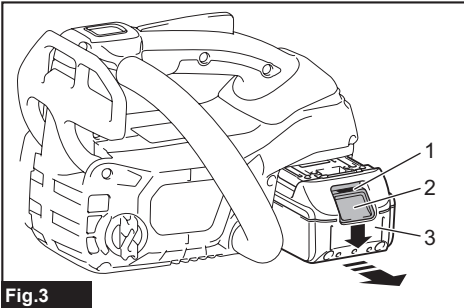


Fig.3

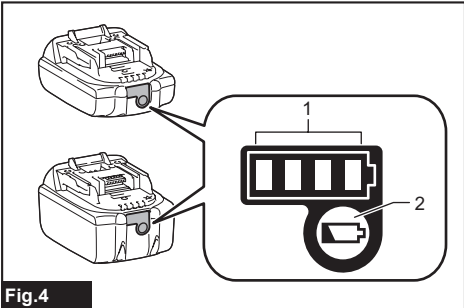


Fig.4

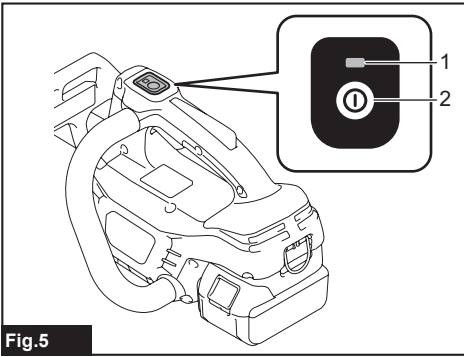


Fig. 5

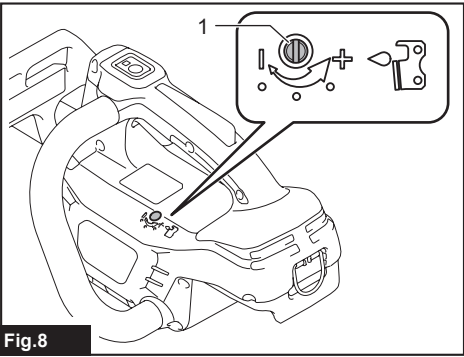


Fig. 8

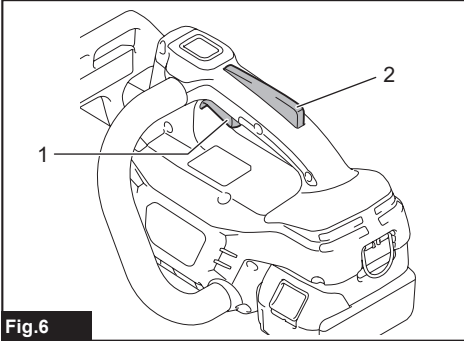


Fig. 6

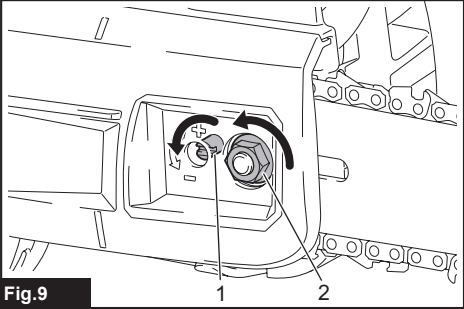


Fig. 9

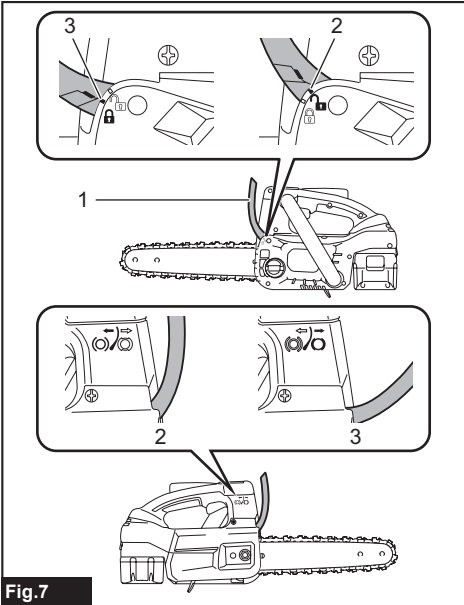


Fig. 7

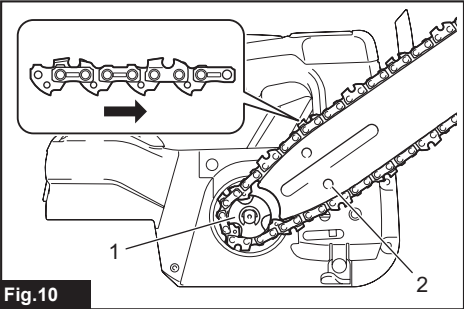


Fig. 10

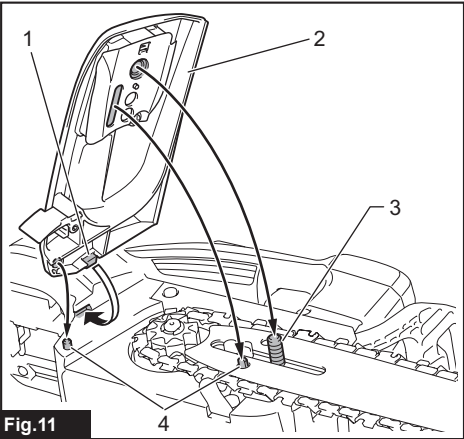


Fig. 11

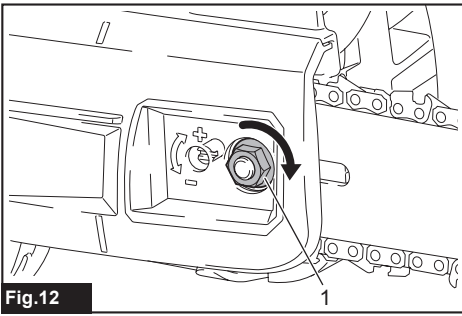


Fig. 12

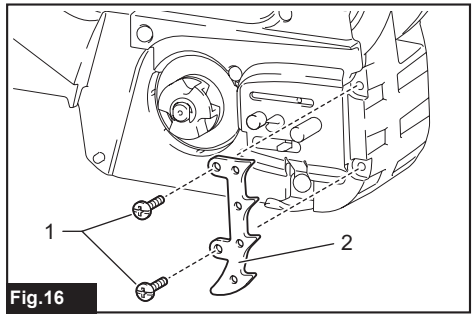


Fig. 16

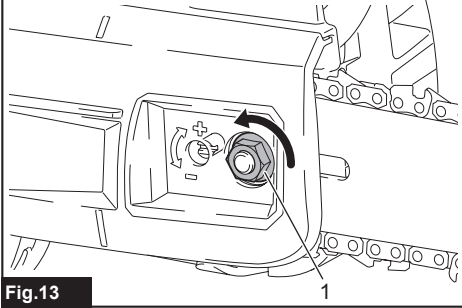


Fig. 13

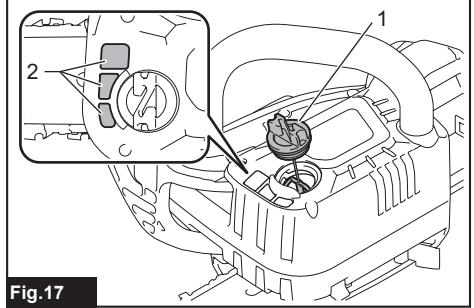


Fig. 17

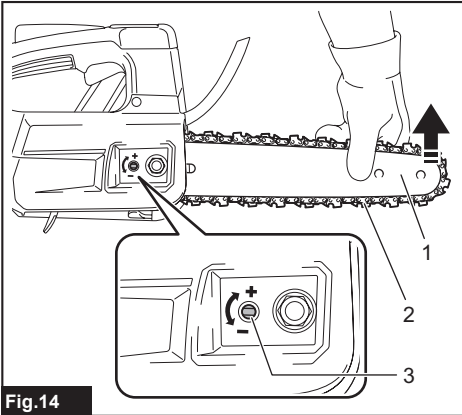


Fig. 14

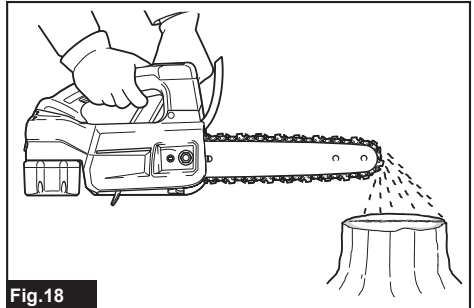


Fig. 18

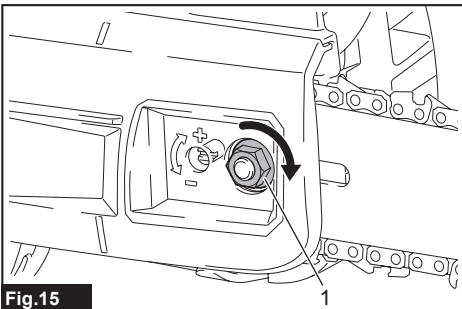


Fig. 15

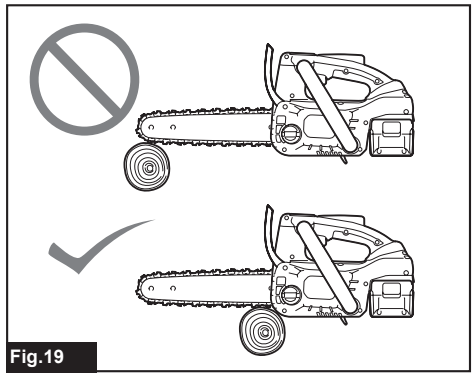


Fig. 19

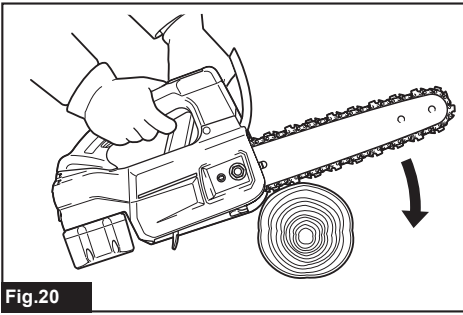


Fig.20

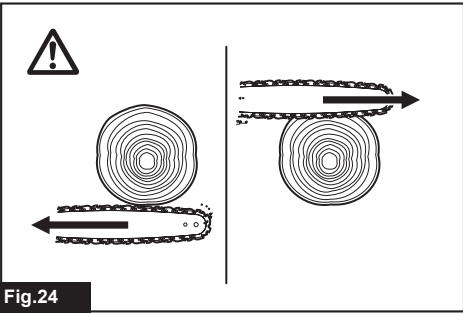


Fig.24

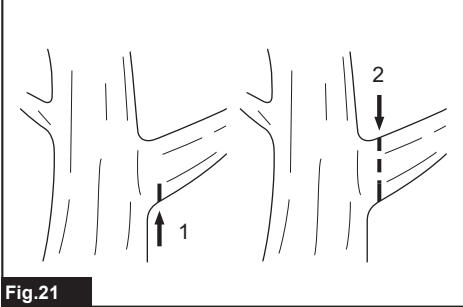


Fig.21

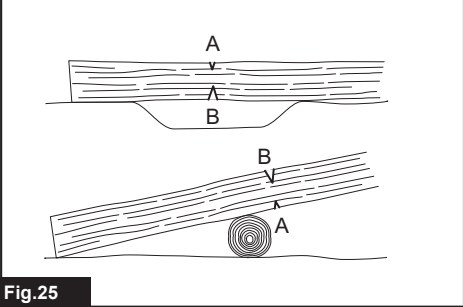


Fig.25

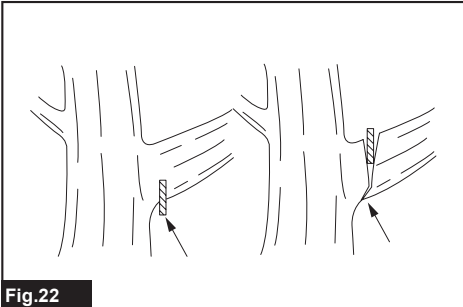


Fig.22

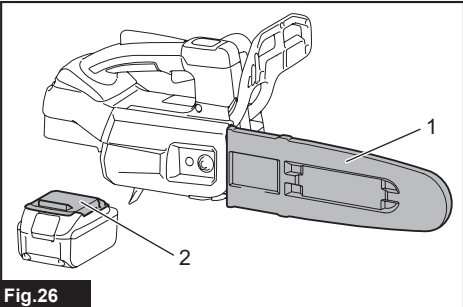


Fig.26

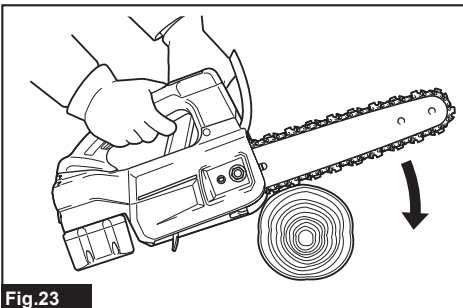


Fig.23

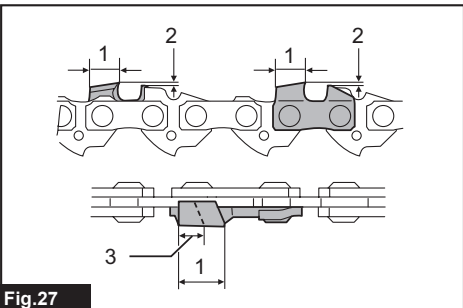


Fig.27

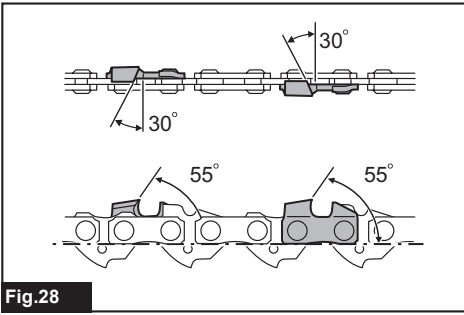


Fig.28

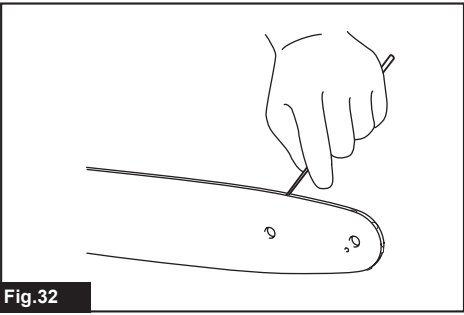


Fig.32

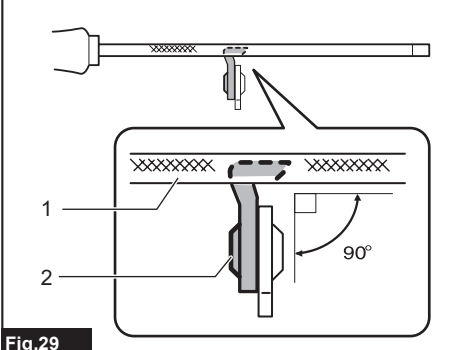


Fig.29

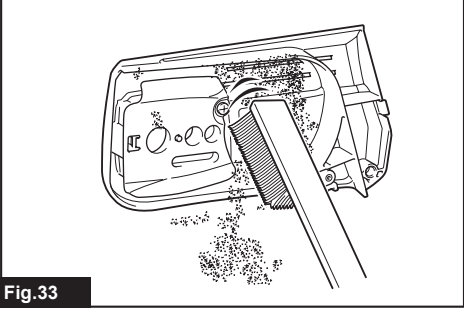


Fig.33

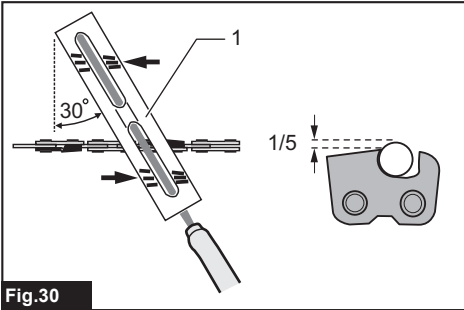


Fig.30

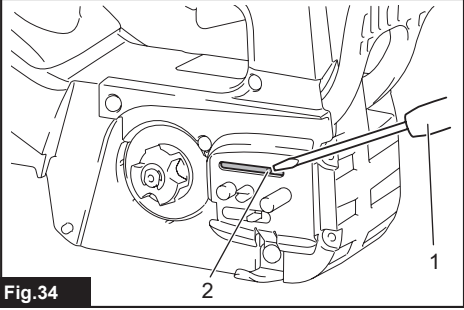


Fig.34

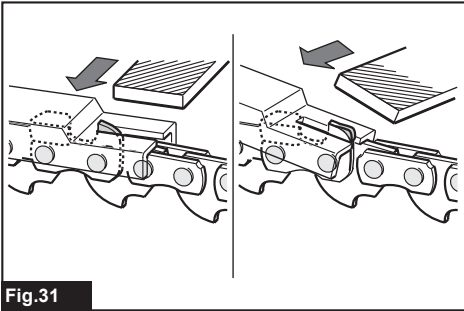


Fig.31

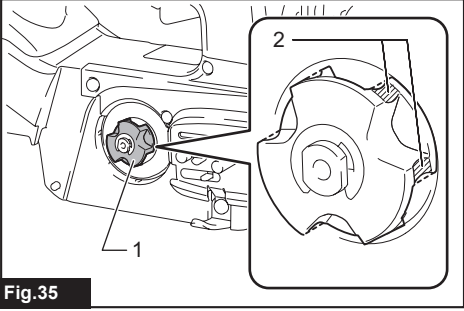


Fig.35

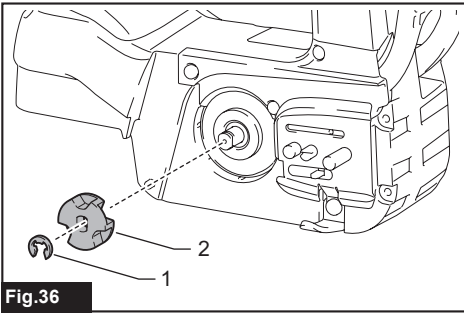


Fig.36

SPECIFICATIONS

Model:		DUC204	DUC254	DUC254C
Overall length (without guide bar)		256 mm		
Rated voltage		D.C. 18 V		
Net weight		2.8 - 3.3 kg		
Standard guide bar length		200 mm	250 mm	
Recommended guide bar length	with 90PX	200 - 250 mm		-
	with 91PX	-	250 mm	-
	with 25AP	-		250 mm
Applicable saw chain type (refer to the table below)		90PX	90PX 91PX	25AP
Standard sprocket	Number of teeth	6		9
	Pitch	3/8"		1/4"
Chain speed		0 - 24 m/s (0 - 1,440 m/min)		0 - 22.5 m/s (0 - 1,350 m/min)
Chain oil tank volume		140 cm ³		

- Due to our continuing program of research and development, the specifications herein are subject to change without notice.
- Specifications may differ from country to country.
- The weight may differ depending on the attachment(s), including the battery cartridge. The lightest and heaviest combination, according to EPTA-Procedure 01/2014, are shown in the table.

Applicable battery cartridge

BL1815N / BL1820 / BL1820B / BL1830 / BL1830B / BL1840 / BL1840B / BL1850 / BL1850B / BL1860B

- Some of the battery cartridges listed above may not be available depending on your region of residence.

⚠WARNING: Only use the battery cartridges listed above. Use of any other battery cartridges may cause injury and/or fire.

Saw chain, guide bar, and sprocket combination

Saw chain type		90PX	
Number of drive links		33	40
Guide bar	Guide bar length	200 mm	250 mm
	Cutting length	180 mm	244 mm
	Pitch	3/8"	
	Gauge	1.1 mm	
	Type	Sprocket nose bar	
Sprocket	Number of teeth	6	
	Pitch	3/8"	

Saw chain type		91PX	
Number of drive links		40	
Guide bar	Guide bar length	250 mm	
	Cutting length	244 mm	
	Pitch	3/8"	
	Gauge	1.3 mm	
	Type	Sprocket nose bar	
Sprocket	Number of teeth	6	
	Pitch	3/8"	

Saw chain type		25AP
Number of drive links		60
Guide bar	Guide bar length	250 mm
	Cutting length	250 mm
	Pitch	1/4"
	Gauge	1.3 mm
	Type	Carving bar
Sprocket	Number of teeth	9
	Pitch	1/4"

NOTICE: When using 25AP saw chain, use with Sprocket 9 (optional accessory).

WARNING: Use appropriate combination of the guide bar and saw chain. Otherwise personal injury may result.

Symbols

The following show the symbols used for the equipment. Be sure that you understand their meaning before use.

	Read instruction manual.
	Wear safety glasses.
	Wear ear protection.
	Wear a helmet, goggles and ear protection.
	Use appropriate protection for foot-leg and hand-arm.
	This saw is to be used by properly trained operators only.
	Do not expose to moisture.
	Maximum permissible cut length
	Always use two hands when operating the chain saw.
	Direction of chain travel
	Saw chain oil adjustment
	<p>Ni-MH Li-ion</p> <p>Only for EU countries Do not dispose of electric equipment or battery pack together with household waste material! In observance of the European Directives, on Waste Electric and Electronic Equipment and Batteries and Accumulators and Waste Batteries and Accumulators and their implementation in accordance with national laws, electric equipment and batteries and battery pack(s) that have reached the end of their life must be collected separately and returned to an environmentally compatible recycling facility.</p>

Intended use

The tool is intended for cutting branches and pruning trees. It is also suitable for tree service.

Noise

The typical A-weighted noise level determined according to IEC62841-4-1:

Model DUC204

Sound pressure level (L_{pA}): 92.2 dB(A)

Sound power level (L_{WA}): 103.2 dB (A)

Uncertainty (K): 2.5 dB(A)

Model DUC254

Sound pressure level (L_{pA}): 92.2 dB(A)

Sound power level (L_{WA}): 103.2 dB (A)

Uncertainty (K): 2.5 dB(A)

Model DUC254C

Sound pressure level (L_{pA}): 92.2 dB(A)

Sound power level (L_{WA}): 103.2 dB (A)

Uncertainty (K): 2.5 dB(A)

WARNING: Wear ear protection.

Vibration

The vibration total value (tri-axial vector sum) determined according to IEC62841-4-1:

Model DUC204

Work mode: cutting wood

Vibration emission ($a_{h,W}$): 3.1 m/s²

Uncertainty (K): 1.5 m/s²

Model DUC254

Work mode: cutting wood

Vibration emission ($a_{h,W}$): 3.1 m/s²

Uncertainty (K): 1.5 m/s²

Model DUC254C

Work mode: cutting wood

Vibration emission ($a_{h,W}$): 4.1 m/s²

Uncertainty (K): 1.5 m/s²

NOTE: The declared vibration emission value has been measured in accordance with the standard test method and may be used for comparing one tool with another.

NOTE: The declared vibration emission value may also be used in a preliminary assessment of exposure.

⚠️WARNING: The vibration emission during actual use of the power tool can differ from the declared emission value depending on the ways in which the tool is used.

⚠️WARNING: Be sure to identify safety measures to protect the operator that are based on an estimation of exposure in the actual conditions of use (taking account of all parts of the operating cycle such as the times when the tool is switched off and when it is running idle in addition to the trigger time).

EC Declaration of Conformity

For European countries only

The EC declaration of conformity is included as Annex A to this instruction manual.

SAFETY WARNINGS

General power tool safety warnings

⚠️WARNING: Read all safety warnings, instructions, illustrations and specifications provided with this power tool. Failure to follow all instructions listed below may result in electric shock, fire and/or serious injury.

Save all warnings and instructions for future reference.

The term "power tool" in the warnings refers to your mains-operated (corded) power tool or battery-operated (cordless) power tool.

Cordless Chain saw safety warnings

1. **Keep all parts of the body away from the saw chain when the chain saw is operating. Before you start the chain saw, make sure the saw chain is not contacting anything.** A moment of inattention while operating chain saws may cause entanglement of your clothing or body with the saw chain.
2. **Always hold the chain saw with your right hand on the top handle and your left hand on the front handle.** Holding the chain saw with a reversed hand configuration increases the risk of personal injury and should never be done.
3. **Hold the power tool by insulated gripping surfaces only, because the saw chain may contact hidden wiring.** Saw chains contacting a "live" wire may make exposed metal parts of the power tool "live" and could give the operator an electric shock.
4. **Wear safety glasses and hearing protection.** Further protective equipment for head, hands, legs and feet is recommended. Adequate protective clothing will reduce personal injury by flying debris or accidental contact with the saw chain.
5. **Always keep proper footing.**

6. **When cutting a limb that is under tension be alert for spring back.** When the tension in the wood fibres is released the spring loaded limb may strike the operator and/or throw the chain saw out of control.
7. **Use extreme caution when cutting brush and saplings.** The slender material may catch the saw chain and be whipped toward you or pull you off balance.
8. **Carry the chain saw by the front handle with the chain saw switched off and away from your body. When transporting or storing the chain saw always fit the guide bar cover.** Proper handling of the chain saw will reduce the likelihood of accidental contact with the moving saw chain.
9. **Follow instructions for lubricating, chain tensioning and changing accessories.** Improperly tensioned or lubricated chain may either break or increase the chance for kickback.
10. **Keep handles dry, clean, and free from oil and grease.** Greasy, oily handles are slippery causing loss of control.
11. **Cut wood only. Do not use chain saw for purposes not intended.** For example: do not use chain saw for cutting plastic, masonry or non-wood building materials. Use of the chain saw for operations different than intended could result in a hazardous situation.
12. **Causes and operator prevention of kickback:** Kickback may occur when the nose or tip of the guide bar touches an object, or when the wood closes in and pinches the saw chain in the cut. Tip contact in some cases may cause a sudden reverse reaction, kicking the guide bar up and back towards the operator. Pinching the saw chain along the top of the guide bar may push the guide bar rapidly back towards the operator. Either of these reactions may cause you to lose control of the saw which could result in serious personal injury. Do not rely exclusively upon the safety devices built into your saw. As a chain saw user, you should take several steps to keep your cutting jobs free from accident or injury. Kickback is the result of tool misuse and/or incorrect operating procedures or conditions and can be avoided by taking proper precautions as given below:
 - Maintain a firm grip, with thumbs and fingers encircling the chain saw handles, with both hands on the saw and position your body and arm to allow you to resist kickback forces. Kickback forces can be controlled by the operator, if proper precautions are taken. Do not let go of the chain saw.

► Fig.1

- Do not overreach and do not cut above shoulder height. This helps prevent unintended tip contact and enables better control of the chain saw in unexpected situations.
- Only use replacement bars and chains specified by the manufacturer. Incorrect replacement bars and chains may cause chain breakage and/or kickback.
- Follow the manufacturer's sharpening and maintenance instructions for the saw chain. Decreasing the depth gauge height can lead to increased kickback.

13. **Before starting work, check that the chain saw is in proper working order and that its condition complies with the safety regulations. Check in particular that:**
 - The chain brake is working properly;
 - The run-down brake is working properly;
 - The bar and the sprocket cover are fitted correctly;
 - The chain has been sharpened and tensioned in accordance with the regulations.
14. **Do not start the chain saw with the chain cover being installed on it.** Starting the chain saw with the chain cover being installed on it may cause the chain cover to be thrown out forward resulting in personal injury and damage to objects around the operator.

Top handle chainsaw specific safety warnings

1. **This chain saw is designed especially for tree care and surgery. The chain saw is intended to be used by properly trained persons only. Observe all instructions, procedures and recommendations from the relevant professional organization. Otherwise fatal accidents may occur. It is recommended that always using a rising platform (cherry picker, lift) for sawing in trees. Rappelling techniques are extremely dangerous and require special training. The operators must be trained to become familiar with safety equipment usage and climbing techniques. Always use the appropriate belts, ropes and carabiners when working in trees. Always use restraining equipment for both the operator and the saw.**
2. **Perform cleaning and maintenance before storage in accordance with the instruction manual.**
3. **Ensure safe positioning of the chain saw during car transportation to avoid fuel or chain oil leakage, damage to the tool and personal injury.**
4. **Regularly check the functionality of chain brake.**
5. **Do not fill the chain oil near fire. Never smoke when you fill the chain oil.**
6. **National regulation may restrict the use of the chain saw.**
7. **If the equipment gets heavy impact or fall, check the condition before continuing work. Check the controls and safety devices for malfunction. If there is any damage or doubt, ask our authorized service center for the inspection and repair.**
8. **Always activate the chain brake before starting the chain saw.**
9. **Hold the saw firmly in place to avoid skating (skid movement) or bouncing of the saw when starting a cut.**
10. **At the end of the cut, be careful to keep your balance due to the "drop".**
11. **Take into account the direction and speed of the wind. Avoid sawdust and chain oil mist.**

Protective equipment

1. **In order to avoid head, eye, hand or foot injuries as well as to protect your hearing the following protective equipment must be used during operation of the chain saw:**
 - The kind of clothing should be appropriate, i. e. it should be tight-fitting but not be a hindrance. Do not wear jewelry or clothing which could become entangled with bushes or shrubs. If you have long hair, always wear a hairnet!
 - It is necessary to wear a protective helmet whenever working with the chain saw. The **protective helmet** is to be checked in regular intervals for damage and is to be replaced after 5 years at the latest. Use only approved protective helmets.
 - The **face shield** of the protective helmet (or the goggles) protects against sawdust and wood chips. During operation of the chain saw always wear a goggle or a face shield to prevent eye injuries.
 - Wear adequate **noise protection equipment** (ear muffs, ear plugs, etc.)
 - The **protective jacket** consists of 22 layers of nylon and protects the operator against cuts. It is always to be worn when working from elevated platforms (cherry pickers, lifts), from platforms mounted on ladders or when climbing with ropes.
 - The **protective brace and bib overall** is made of a nylon fabric with 22 layers and protects against cuts. We strongly recommend its use.
 - **Protective gloves** made of thick leather are part of the prescribed equipment and must always be worn during operation of the chain saw.
 - During operation of the chain saw **safety shoes** or **safety boots** fitted with anti skid sole, steel toe caps and protection for the leg must always be worn. Safety shoes equipped with a protective layer provide protection against cuts and ensure a secure footing. For working in trees the safety boots must be suitable for climbing techniques.

Vibration

1. Individuals with poor circulation who are exposed to excessive vibration may experience injury to blood vessels or the nervous system. Vibration may cause the following symptoms to occur in the fingers, hands or wrists: "Falling asleep" (numbness), tingling, pain, stabbing sensation, alteration of skin colour or of the skin. **If any of these symptoms occur, see a physician!** To reduce the risk of "white finger disease", keep your hands warm during operation and well maintain the equipment and accessories.

SAVE THESE INSTRUCTIONS.

⚠WARNING: DO NOT let comfort or familiarity with product (gained from repeated use) replace strict adherence to safety rules for the subject product. MISUSE or failure to follow the safety rules stated in this instruction manual may cause serious personal injury.

Important safety instructions for battery cartridge

1. Before using battery cartridge, read all instructions and cautionary markings on (1) battery charger, (2) battery, and (3) product using battery.
2. Do not disassemble battery cartridge.
3. If operating time has become excessively shorter, stop operating immediately. It may result in a risk of overheating, possible burns and even an explosion.
4. If electrolyte gets into your eyes, rinse them out with clear water and seek medical attention right away. It may result in loss of your eyesight.
5. Do not short the battery cartridge:
 - (1) Do not touch the terminals with any conductive material.
 - (2) Avoid storing battery cartridge in a container with other metal objects such as nails, coins, etc.
 - (3) Do not expose battery cartridge to water or rain.

A battery short can cause a large current flow, overheating, possible burns and even a breakdown.
6. Do not store the tool and battery cartridge in locations where the temperature may reach or exceed 50 °C (122 °F).
7. Do not incinerate the battery cartridge even if it is severely damaged or is completely worn out. The battery cartridge can explode in a fire.
8. Be careful not to drop or strike battery.
9. Do not use a damaged battery.

10. The contained lithium-ion batteries are subject to the Dangerous Goods Legislation requirements.

For commercial transports e.g. by third parties, forwarding agents, special requirement on packaging and labeling must be observed. For preparation of the item being shipped, consulting an expert for hazardous material is required. Please also observe possibly more detailed national regulations. Tape or mask off open contacts and pack up the battery in such a manner that it cannot move around in the packaging.

11. Follow your local regulations relating to disposal of battery.
12. Use the batteries only with the products specified by Makita. Installing the batteries to non-compliant products may result in a fire, excessive heat, explosion, or leak of electrolyte.

SAVE THESE INSTRUCTIONS.

CAUTION: Only use genuine Makita batteries. Use of non-genuine Makita batteries, or batteries that have been altered, may result in the battery bursting causing fires, personal injury and damage. It will also void the Makita warranty for the Makita tool and charger.

Tips for maintaining maximum battery life

1. Charge the battery cartridge before completely discharged. Always stop tool operation and charge the battery cartridge when you notice less tool power.
2. Never recharge a fully charged battery cartridge. Overcharging shortens the battery service life.
3. Charge the battery cartridge with room temperature at 10 °C - 40 °C (50 °F - 104 °F). Let a hot battery cartridge cool down before charging it.
4. Charge the battery cartridge if you do not use it for a long period (more than six months).

PARTS DESCRIPTION

► Fig.2

1	Switch trigger	2	Top handle	3	Lock-off lever
4	Front hand guard	5	Guide bar	6	Saw chain
7	Chain catcher	8	Retaining nut	9	Chain adjusting screw
10	Chip guide	11	Battery cartridge	12	Main power lamp
13	Main power switch	14	Adjusting screw (for oil pump)	15	Carabiner
16	Front handle	17	Oil tank cap	18	Guide bar cover

FUNCTIONAL DESCRIPTION

⚠ CAUTION: Always be sure that the tool is switched off and the battery cartridge is removed before adjusting or checking function on the tool.

Installing or removing battery cartridge

⚠ CAUTION: Always switch off the tool before installing or removing of the battery cartridge.

⚠ CAUTION: Hold the tool and the battery cartridge firmly when installing or removing battery cartridge. Failure to hold the tool and the battery cartridge firmly may cause them to slip off your hands and result in damage to the tool and battery cartridge and a personal injury.

► **Fig.3:** 1. Red indicator 2. Button 3. Battery cartridge

To remove the battery cartridge, slide it from the tool while sliding the button on the front of the cartridge.

To install the battery cartridge, align the tongue on the battery cartridge with the groove in the housing and slip it into place. Insert it all the way until it locks in place with a little click. If you can see the red indicator on the upper side of the button, it is not locked completely.

⚠ CAUTION: Always install the battery cartridge fully until the red indicator cannot be seen. If not, it may accidentally fall out of the tool, causing injury to you or someone around you.

⚠ CAUTION: Do not install the battery cartridge forcibly. If the cartridge does not slide in easily, it is not being inserted correctly.

Indicating the remaining battery capacity

Only for battery cartridges with the indicator

► **Fig.4:** 1. Indicator lamps 2. Check button

Press the check button on the battery cartridge to indicate the remaining battery capacity. The indicator lamps light up for a few seconds.

Indicator lamps			Remaining capacity
Lighted	Off	Blinking	
■	□	▧	75% to 100%
■ ■ ■ ■			
■ ■ ■	□		50% to 75%
■ ■	□ □		25% to 50%
■	□ □ □		0% to 25%
▧	□ □ □		Charge the battery.
■ ■ □ □			The battery may have malfunctioned.
□ □ ■ ■			

NOTE: Depending on the conditions of use and the ambient temperature, the indication may differ slightly from the actual capacity.

Tool / battery protection system

The tool is equipped with a tool/battery protection system. This system automatically cuts off power to the motor to extend tool and battery life. The tool will automatically stop during operation if the tool or battery is placed under one of the following conditions:

Overload protection

When the battery is operated in a manner that causes it to draw an abnormally high current, the tool automatically stops and the main power lamp blinks in green. In this situation, turn the tool off and stop the application that caused the tool to become overloaded. Then turn the tool on to restart.

Overheat protection

When the tool or battery is overheated, the tool stops automatically and the main power lamp lights up in red. In this case, let the tool and battery cool before turning the tool on again.

NOTE: In high temperature environment, the overheat protection likely to work and the tool stops automatically.

Overdischarge protection

When the battery capacity is not enough, the tool stops automatically and the main power lamp blinks in red. In this case, remove the battery from the tool and charge the battery.

Main power switch

⚠ WARNING: Always turn off the main power switch when not in use.

To turn on the tool, press the main power switch until the main power lamp lights up in green. To turn off, press the main power switch again.

► **Fig.5:** 1. Main power lamp 2. Main power switch

NOTE: The main power lamp blinks in green if the switch trigger is pulled under unoperable conditions. The lamp blinks in one of the following conditions.

- When you turn on the main power switch while holding down the lock-off lever and the switch trigger.
- When you pull the switch trigger while the chain brake is applied.
- When you release the chain brake while holding down the lock-off lever and pulling the switch trigger.

NOTE: This chain saw employs the auto power-off function. To avoid unintentional start up, the main power switch will automatically shut down when the switch trigger is not pulled for a certain period after the main power switch is turned on.

You can use the tool in the Torque Boost mode for cutting thick branches or hard branches. To use the tool in the Torque Boost mode, when the tool is turned off, press the main power switch for a few seconds until the main power lamp lights up in yellow.

NOTE: You can use the tool in the Torque Boost mode up to 30 seconds. Depending on the usage conditions, this mode shifts to the normal mode in less than 30 seconds.

NOTE: If the main power lamp blinks in yellow when you press the main power switch for a few seconds, the Torque Boost mode is not available. In this case, follow the steps below.

- The Torque Boost mode is not available right after the cutting operation. Wait for more than 10 seconds, and then press the main power switch again.
- If you use the Torque Boost mode several times, the use of the Torque Boost mode is restricted to protect the battery. If the Torque Boost mode is not available after waiting for more than 10 seconds, replace the battery cartridge with a fully charged one, or recharge the battery cartridge.

NOTE: If the main power lamp lights up in red or blinks in red or green, refer to the instructions for tool/battery protection system.

NOTE: The Torque Boost mode cannot be used when the battery cartridge BL1815N, BL1820, or BL1820B is installed.

Switch action

⚠ WARNING: For your safety, this tool is equipped with lock-off lever which prevents the tool from unintended starting. **NEVER** use the tool if it runs when you simply pull the switch trigger without pressing the lock-off lever. Return the tool to our authorized service center for proper repairs **BEFORE** further usage.

⚠ WARNING: **NEVER** tape down or defeat purpose and function of lock-off lever.

⚠ CAUTION: Before installing the battery cartridge into the tool, always check to see that the switch trigger actuates properly and returns to the "OFF" position when released.

NOTICE: Do not pull the switch trigger hard without pressing the lock-off lever. This can cause switch breakage.

To prevent the switch trigger from being accidentally pulled, a lock-off lever is provided. To start the tool, depress the lock-off lever and pull the switch trigger. The tool speed increases by increasing pressure on the switch trigger. Release the switch trigger to stop.

► **Fig.6:** 1. Switch trigger 2. Lock-off lever

Checking the chain brake

⚠ CAUTION: Hold the chain saw with both hands when switching it on. Hold the top handle with your right hand, the front handle with your left. The bar and the chain must not be in contact with any object.

⚠ CAUTION: Should the saw chain not stop immediately when this test is performed, the saw may not be used under any circumstances. Consult our authorized service center.

1. Press the lock-off lever, then pull the switch trigger. The saw chain starts immediately.
2. Push the front hand guard forwards with the back of your hand. Make sure that the chain saw comes to an immediate standstill.

► **Fig.7:** 1. Front hand guard 2. Unlocked position 3. Locked position

Checking the run-down brake

⚠ CAUTION: If the saw chain does not stop within two seconds in this test, stop using the chain saw and consult our authorized service center.

Run the chain saw then release the switch trigger completely. The saw chain must come to a standstill within two seconds.

Adjusting the chain lubrication

You can adjust the oil pump feed rate with the adjusting screw using the universal wrench. The amount of oil can be adjusted in 3 steps.

► **Fig.8:** 1. Adjusting screw

Carabiner (rope attachment point)

You can hang the tool by attaching the rope to the carabiner. Pull up the carabiner, and then tie it with the rope.

Electronic function

The tool is equipped with the electronic functions for easy operation.

- Soft start
The soft-start function minimizes start-up shock, and makes the tool start smoothly.

ASSEMBLY

⚠ CAUTION: Always be sure that the tool is switched off and the battery cartridge is removed before carrying out any work on the tool.

⚠ CAUTION: Do not touch the saw chain with bare hands. Always wear gloves when handling the saw chain.

Removing or installing saw chain

⚠ CAUTION: The saw chain and the guide bar are still hot just after the operation. Let them cool down enough before carrying out any work on the tool.

⚠ CAUTION: Carry out the procedure of installing or removing saw chain in a clean place free from sawdust and the like.

To remove the saw chain, perform the following steps:

1. Release the chain brake by pulling the front hand guard.

2. Loosen the chain adjusting screw, then the retaining nut.

► **Fig.9:** 1. Chain adjusting screw 2. Retaining nut

3. Remove the sprocket cover then remove the saw chain and guide bar from the chain saw body.

To install the saw chain, perform the following steps:

1. Check the direction of the saw chain. Match the direction of the saw chain with that of the mark on the chain saw body.

2. Fit one end of the saw chain on the top of the guide bar.

3. Fit the other end of the saw chain around the sprocket, then attach the guide bar to the chain saw body, aligning the hole on the guide bar with the pin on the chain saw body.

► **Fig.10:** 1. Sprocket 2. Hole

4. Insert the protrusion on the sprocket cover to the chain saw body, and then close the cover so that the bolt and pins on the chain saw body meet their counterparts on the cover.

► **Fig.11:** 1. Protrusion 2. Sprocket cover 3. Bolt 4. Pin

5. Tighten the retaining nut to secure the sprocket cover, then loosen it a bit for tension adjustment.

► **Fig.12:** 1. Retaining nut

Adjusting saw chain tension

⚠ CAUTION: Do not tighten the saw chain too much. Excessively high tension of saw chain may cause breakage of saw chain, wear of the guide bar and breakage of the adjusting dial.

⚠ CAUTION: A chain which is too loose can jump off the bar and it may cause an injury accident.

The saw chain may become loose after many hours of use. From time to time check the saw chain tension before use.

1. Release the chain brake by pulling the front hand guard.

2. Loosen the retaining nut a bit to loosen the sprocket cover lightly.

► **Fig.13:** 1. Retaining nut

3. Lift up the guide bar tip slightly and adjust the chain tension. Turn the chain adjusting screw clockwise to tighten, turn it counterclockwise to loosen.

For chain blade 90PX and 91PX:

Tighten the saw chain until the lower side of the saw chain fits in the guide bar rail as illustrated.

► **Fig.14:** 1. Guide bar 2. Saw chain 3. Chain adjusting screw

For chain blade 25AP:

Tighten the saw chain so that the gap between the center of the lower side of the guide bar and the saw chain becomes approximately 1 mm to 2 mm.

4. Keep holding the guide bar lightly and tighten the sprocket cover.

For chain blade 90PX and 91PX:

Make sure that the saw chain does not loose at the lower side.

For chain blade 25AP:

Make sure that the gap between the center of the lower side of the guide bar and the saw chain is approximately 1 mm to 2 mm.

5. Tighten the retaining nut to secure the sprocket cover.

► **Fig.15:** 1. Retaining nut

Make sure the saw chain fits snugly against the lower side of the bar.

Spike bumper

Optional accessory

When cutting thick branches, using the spike bumper is recommended. To install the spike bumper, perform the following steps:

1. Remove the sprocket cover, saw chain, and guide bar.

2. Align the holes of the spike bumper with the holes on the chain saw body, and then tighten the screws firmly.

► **Fig.16:** 1. Screw 2. Spike bumper

OPERATION

Lubrication

Saw chain is automatically lubricated when the tool is in operation. Check the amount of remaining oil in the oil tank periodically through the oil inspection window.

To refill the tank, lay the chain saw on its side and remove the oil tank cap. The proper amount of oil is 140 ml. After refilling the tank, make sure that the oil tank cap is tightened securely.

► **Fig.17:** 1. Oil tank cap 2. Oil inspection window

After refilling, hold the chain saw away from the tree. Start it and wait until lubrication on saw chain is adequate.

► **Fig.18**

NOTICE: When filling the chain oil for the first time, or refilling the tank after it has been completely emptied, add oil up to the bottom edge of the filler neck. The oil delivery may otherwise be impaired.

NOTICE: Use the saw chain oil exclusively for Makita chain saws or equivalent oil available in the market.

NOTICE: Never use oil including dust and particles or volatile oil.

NOTICE: When pruning trees, use botanical oil. Mineral oil may harm trees.

NOTICE: Before the cutting operation, make sure that the provided oil tank cap is screwed in place.

WORKING WITH THE CHAIN SAW

CAUTION: The first time user should, as a minimum practice, do cutting logs on a saw-horse or cradle.

CAUTION: When sawing precut timber, use a safe support (saw horse or cradle). Do not steady the workpiece with your foot, and do not allow anyone else to hold or steady it.

CAUTION: Secure round pieces against rotation.

CAUTION: Keep all parts of the body away from the saw chain when the motor is operating.

CAUTION: Hold the chain saw firmly with both hands when the motor is running.

CAUTION: Do not overreach. Keep proper footing and balance at all times.

NOTICE: Never toss or drop the tool.

NOTICE: Do not cover the vents of the tool.

Pruning trees

Bring the chain saw body into contact with the branch to be cut before switching on. Otherwise it may cause the guide bar to wobble, resulting in injury to operator. Saw the wood to be cut by just moving it down by using the weight of the chain saw.

► Fig.19

If you cannot cut the timber right through with a single stroke:

Apply light pressure to the handle and continue sawing and draw the chain saw back a little.

► Fig.20

When cutting thick branches, first make a shallow undercut and then make the finish cut from the top.

► Fig.21

If you try to cut off thick branches from the bottom, the branch may close in and pinch the saw chain in the cut. If you try to cut off thick branches from the top without a shallow undercut, the branch may splinter.

► Fig.22

Bucking

1. Rest the chain saw body on the wood to be cut.

► Fig.23

2. With the saw chain running, saw into the wood while using the top handle to raise the saw and the front one to guide it.

3. Continue the cut by applying slight pressure to the top handle, easing the saw back slightly.

NOTICE: When making several cuts, switch the chain saw off between cuts.

CAUTION: If the upper edge of the bar is used for cutting, the chain saw may be deflected in your direction if the chain becomes trapped. For this reason, cut with the lower edge, so that the saw will be deflected away from your body.

► Fig.24

When you cut a wood under tension, cut the pressured side (A) first. Then make the final cut from the tensioned side (B). This prevents the bar from becoming trapped.

► Fig.25

Limbing

CAUTION: Limbing may only be performed by trained persons. A hazard is presented by the risk of kickback.

When limbing, support the chain saw on the trunk if possible. Do not cut with the tip of the bar, as this presents a risk of kickback.

Pay particular attention to branches under tension. Do not cut unsupported branches from below.

Do not stand on the felled trunk when limbing.

Carrying tool

Before carrying the tool, always apply the chain brake and remove the battery cartridges from the tool. Then attach the guide bar cover. Also cover the battery cartridge with the battery cover.

► Fig.26: 1. Guide bar cover 2. Battery cover

MAINTENANCE

CAUTION: Always be sure that the tool is switched off and the battery cartridge is removed before attempting to perform inspection or maintenance.

CAUTION: Always wear gloves when performing any inspection or maintenance.

NOTICE: Never use gasoline, benzine, thinner, alcohol or the like. Discoloration, deformation or cracks may result.

To maintain product SAFETY and RELIABILITY, repairs, any other maintenance or adjustment should be performed by Makita Authorized or Factory Service Centers, always using Makita replacement parts.

Sharpening the saw chain

Sharpen the saw chain when:

- Mealy sawdust is produced when damp wood is cut;
- The chain penetrates the wood with difficulty, even when heavy pressure is applied;
- The cutting edge is obviously damaged;
- The saw pulls to the left or right in the wood. (caused by uneven sharpening of the saw chain or damage to one side only)

Sharpen the saw chain frequently but a little each time. Two or three strokes with a file are usually sufficient for routine resharpening. When the saw chain has been resharpened several times, have it sharpened in our authorized service center.

Sharpening criteria:

⚠ WARNING: An excessive distance between the cutting edge and depth gauge increases the risk of kickback.

- **Fig.27:** 1. Cutter length 2. Distance between cutting edge and depth gauge 3. Minimum cutter length (3 mm)

- All cutter length must be equal. Different cutter lengths prevent the saw chain from running smoothly and may cause the saw chain to break.
- Do not sharpen the chain when the cutter length has reached 3 mm or shorter. The chain must be replaced with new one.
- The chip thickness is determined by the distance between the depth gauge (round nose) and the cutting edge.
- The best cutting results are obtained with following distance between cutting edge and depth gauge.
 - Chain blade 90PX : 0.65 mm
 - Chain blade 91PX : 0.65 mm
 - Chain blade 25AP : 0.65 mm

► Fig.28

- The sharpening angle of 30° must be the same on all cutters. Different cutter angles cause the chain to run roughly and unevenly, accelerate wear, and lead to chain breaks.
- Use a suitable round file so that the proper sharpening angle is kept against the teeth.
 - Chain blade 90PX : 55°
 - Chain blade 91PX : 55°
 - Chain blade 25AP : 55°

File and file guiding

- Use a special round file (optional accessory) for saw chains to sharpen the chain. Normal round files are not suitable.
- Diameter of the round file for each saw chain is as follows:
 - Chain blade 90PX : 4.5 mm
 - Chain blade 91PX : 4.0 mm
 - Chain blade 25AP : 4.0 mm
- The file should only engage the cutter on the forward stroke. Lift the file off the cutter on the return stroke.

- Sharpen the shortest cutter first. Then the length of this shortest cutter becomes the standard for all other cutters on the saw chain.

- Guide the file as shown in the figure.

► Fig.29: 1. File 2. Saw chain

- The file can be guided more easily if a file holder (optional accessory) is employed. The file holder has markings for the correct sharpening angle of 30° (align the markings parallel to the saw chain) and limits the depth of penetration (to 4/5 of the file diameter).

► Fig.30: 1. File holder

- After sharpening the chain, check the height of the depth gauge using the chain gauge tool (optional accessory).

► Fig.31

- Remove any projecting material, however small, with a special flat file (optional accessory).
- Round off the front of the depth gauge again.

Cleaning the guide bar

Chips and sawdust will build up in the guide bar groove. They may clog the bar groove and impair the oil flow. Clean out the chips and sawdust every time when you sharpen or replace the saw chain.

► Fig.32

Cleaning the sprocket cover

Chips and saw dust will accumulate inside of the sprocket cover. Remove the sprocket cover and saw chain from the tool then clean the chips and saw dust.

► Fig.33

Cleaning the oil discharge hole

Small dust or particles may be built up in the oil discharge hole during operation. These dust or particles may impair the oil to flow and cause an insufficient lubrication on the whole saw chain. When a poor chain oil delivery occurs at the top of guide bar, clean the oil discharge hole as follows.

1. Remove the sprocket cover and saw chain from the tool.
2. Remove the small dust or particles using a slotted screwdriver with a slender shaft or the like.

► Fig.34: 1. Slotted screwdriver 2. Oil discharge hole

3. Insert the battery cartridge into the tool. Pull the switch trigger to flow built-up dust or particles off the oil discharge hole by discharging chain oil.
4. Remove the battery cartridge from the tool. Reinstall the sprocket cover and saw chain on the tool.

Replacing the sprocket

⚠ CAUTION: A worn sprocket will damage a new saw chain. Have the sprocket replaced in this case.

Before fitting a new saw chain, check the condition of the sprocket.

► **Fig.35:** 1. Sprocket 2. Areas to be worn out

Always fit a new locking ring when replacing the sprocket.

► **Fig.36:** 1. Locking ring 2. Sprocket

NOTICE: Make sure that the sprocket is installed as shown in the figure.

Storing the tool

1. Clean the tool before storing. Remove any chips and sawdust from the tool after removing the sprocket cover.
2. After cleaning the tool, run it under no load to lubricate the saw chain and guide bar.
3. Cover the guide bar with the guide bar cover.
4. Empty the oil tank.

Instructions for periodic maintenance

To ensure long life, prevent damage and ensure the full functioning of the safety features, the following maintenance must be performed regularly. Warranty claims can be recognized only if this work is performed regularly and properly. Failure to perform the prescribed maintenance work can lead to accidents! The user of the chain saw must not perform maintenance work which is not described in the instruction manual. All such work must be carried out by our authorized service center.

Check item / Operating time		Before operation	Everyday	Every week	Every 3 month	Annually	Before storage
Chain saw	Inspection.	✓	-	-	-	-	-
	Cleaning.	-	✓	-	-	-	-
	Check at authorized service center.	-	-	-	-	✓	✓
Saw chain	Inspection.	✓	-	-	-	-	-
	Sharpening if necessary.	-	-	-	-	-	✓
Guide bar	Inspection.	✓	✓	-	-	-	-
	Remove from the chain saw.	-	-	-	-	-	✓
Chain brake	Check the function.	✓	-	-	-	-	-
	Have it inspected regularly at authorized service center.	-	-	-	✓	-	-
Chain lubrication	Check the oil feed rate.	✓	-	-	-	-	-
Switch trigger	Inspection.	✓	-	-	-	-	-
Lock-off lever	Inspection.	✓	-	-	-	-	-
Oil tank cap	Check tightness.	✓	-	-	-	-	-
Chain catcher	Inspection.	-	-	✓	-	-	-
Screws and nuts	Inspection.	-	-	✓	-	-	-

TROUBLESHOOTING

Before asking for repairs, conduct your own inspection first. If you find a problem that is not explained in the manual, do not attempt to dismantle the tool. Instead, ask Makita Authorized Service Centers, always using Makita replacement parts for repairs.

Malfunction status	Cause	Action
The chain saw does not start.	Battery cartridge is not installed.	Install a charged battery cartridge.
	Battery problem (low voltage).	Recharge the battery cartridges. If recharging is not effective, replace the battery cartridge.
	Main power switch is off.	The chain saw is automatically turned off if it is un-operated for a certain period. Turn on the main power switch again.
The saw chain does not run.	Chain brake activated.	Release chain brake.
The motor stops running after a little use.	Battery's charge level is low.	Recharge the battery cartridges. If recharging is not effective, replace the battery cartridge.
No oil on the chain.	Oil tank is empty.	Fill the oil tank.
	Oil guide groove is dirty.	Clean the groove.
	Poor oil delivery.	Adjust the amount of oil delivery with the adjusting screw.
The chain saw does not reach maximum RPM.	Battery cartridge is installed improperly.	Install the battery cartridges as described in this manual.
	Battery power is dropping.	Recharge the battery cartridge. If recharging is not effective, replace the battery cartridge.
	The drive system does not work correctly.	Ask the authorized service center in your region for repair.
The main power lamp is blinking in green.	Switch trigger is pulled under an unoperable condition.	Pull the switch trigger after the main power switch is turned on and the chain brake is released.
Chain does not stop even the chain brake is activated: Stop the machine immediately!	The brake band is worn down.	Ask the authorized service center in your region for repair.
Abnormal vibration: Stop the machine immediately!	Loose guide bar or saw chain.	Adjust the guide bar and saw chain tension.
	Tool malfunction.	Ask the authorized service center in your region for repair.
The Torque Boost mode is not available after replacing the battery cartridge with a fully charged one.	Depending on the usage conditions, the Torque Boost mode is not available after replacing the battery cartridge.	Use the tool in the normal mode until the installed battery cartridge becomes empty, and then replace the battery cartridge with a fully charged one, or recharge the battery cartridge.

OPTIONAL ACCESSORIES

CAUTION: These accessories or attachments are recommended for use with your Makita tool specified in this manual. The use of any other accessories or attachments might present a risk of injury to persons. Only use accessory or attachment for its stated purpose.

If you need any assistance for more details regarding these accessories, ask your local Makita Service Center.

- Saw chain
- Guide bar
- Guide bar cover
- Sprocket

- Spike bumper
- File
- Tool bag
- Makita genuine battery and charger

WARNING: If you purchase a guide bar of different length from the standard guide bar, also purchase a suitable guide bar cover together. It must fit and fully cover the guide bar on the chain saw.

NOTE: Some items in the list may be included in the tool package as standard accessories. They may differ from country to country.

SPECIFIKATIONER

Modell:		DUC204	DUC254	DUC254C
Total längd (utan svärd)		256 mm		
Märkspänning		18 V likström		
Nettovikt		2,8 - 3,3 kg		
Standard svärdlängd		200 mm	250 mm	
Rekommenderad svärdlängd	med 90PX	200 - 250 mm		-
	med 91PX	-	250 mm	-
	med 25AP	-		250 mm
Applicerad sågkedjetyp (se tabellen nedan)		90PX	90PX 91PX	25AP
Standard kedjehjul	Antal tänder	6		9
	Vinkel	3/8"		1/4"
Kedjehastighet		0 - 24 m/s (0 - 1 440 m/min)		0 - 22,5 m/s (0 - 1 350 m/min)
Tankvolym kedjeolja		140 cm ³		

- På grund av vårt pågående program för forskning och utveckling kan dessa specifikationer ändras utan föregående meddelande.
- Specifikationerna kan variera mellan olika länder.
- Vikten kan variera beroende på tillbehören, inklusive batterikassett. Den lättaste och den tyngsta kombinationen enligt EPTA-procedur 01/2014 visas i tabellen.

Tillgänglig batterikassett

BL1815N / BL1820 / BL1820B / BL1830 / BL1830B / BL1840 / BL1840B / BL1850 / BL1850B / BL1860B

- Vissa av batterikassetterna på listan ovan kanske inte finns tillgängliga i din region.

⚠ VARNING: Använd endast batterikassetter från listan ovan. Användning av andra batterikassetter kan orsaka personskada och/eller brand.

Kombination av sågkedja, svärd och kedjehjul

Sågkedjetyp		90PX	
Antal drivlänkar		33	40
Svärd	Svärdlängd	200 mm	250 mm
	Såglängd	180 mm	244 mm
	Vinkel	3/8"	
	Mätare	1,1 mm	
	Typ	Kuggdrev	
Kedjehjul	Antal tänder	6	
	Vinkel	3/8"	

Sågkedjetyp		91PX	
Antal drivlänkar		40	
Svärd	Svärdlängd	250 mm	
	Såglängd	244 mm	
	Vinkel	3/8"	
	Mätare	1,3 mm	
	Typ	Kuggdrev	
Kedjehjul	Antal tänder	6	
	Vinkel	3/8"	

Sågkedjetyp		25AP
Antal drivlänkar		60
Svärd	Svärdlängd	250 mm
	Såglängd	250 mm
	Vinkel	1/4°
	Mätare	1,3 mm
	Typ	Kurvstång
Kedjehjul	Antal tänder	9
	Vinkel	1/4°

OBSERVERA: Vid användning av sågkedja 25AP, använd kedjehjul 9 (extra tillbehör).

⚠ VARNING: Använd en lämplig kombination av svärd och sågkedje. I annat fall kan personskada uppstå.

Symboler

Följande visar symbolerna som används för utrustningen. Se till att du förstår innebörden innan du använder bormaskinen.

	Läs igenom bruksanvisningen.
	Använd skyddsglasögon.
	Använd hörselskydd.
	Använd hjälm, skyddsglasögon och hörselskydd.
	Använd lämpliga skydd för fötterna/benen och händerna/armarna.
	Denna såg får endast användas av särskilt utbildade personer.
	Utsätt inte verktyget för fukt.
	Maximal tillåten kaplängd
	Använd alltid två händer vid användning av kedjesåg.
	Kedjans rotationsriktning
	Justering av kedjeolja
	Gäller endast inom EU Elektrisk utrustning eller batteripaket får inte kastas i hushållsavfallet! Enligt EU-direktiven som avser förbrukad elektrisk och elektronisk utrustning, batterier, ackumulatörer, förbrukade batterier och ackumulatörer, samt direktivens tillämpning enligt nationell lagstiftning, ska uttjänt elektrisk utrustning, batterier och batteripaket sorteras separat och lämnas till miljövänlig återvinning.

Avsedd användning

Maskinen är avsedd för sågning av grenar och beskärning av träd. Den är även lämplig för trävård.

Buller

Den normala bullernivån för A-belastning är bestämd enligt IEC62841-4-1:

Model DUC204

Ljudtrycksnivå (L_{pA}): 92,2 dB (A)
Ljudeffektnivå (L_{WA}): 103,2 dB (A)
Måttolerans (K): 2,5 dB (A)

Model DUC254

Ljudtrycksnivå (L_{pA}): 92,2 dB (A)
Ljudeffektnivå (L_{WA}): 103,2 dB (A)
Måttolerans (K): 2,5 dB (A)

Model DUC254C

Ljudtrycksnivå (L_{pA}): 92,2 dB (A)
Ljudeffektnivå (L_{WA}): 103,2 dB (A)
Måttolerans (K): 2,5 dB (A)

⚠ VARNING: Använd hörselskydd.

Vibration

Det totala vibrationsvärdet (treaxlad vektorsumma) bestämt enligt IEC62841-4-1:

Model DUC204

Arbetsläge: sågning i trä
Vibrationsemission ($a_{h,W}$): 3,1 m/s²
Måttolerans (K): 1,5 m/s²

Model DUC254

Arbetsläge: sågning i trä
Vibrationsemission ($a_{h,W}$): 3,1 m/s²
Måttolerans (K): 1,5 m/s²

Model DUC254C

Arbetsläge: sågning i trä
Vibrationsemission ($a_{h,W}$): 4,1 m/s²
Måttolerans (K): 1,5 m/s²

OBS: Det deklarerade vibrationsemismissionsvärdet har uppmätts i enlighet med standardtestmetoden och kan användas för att jämföra en maskin med en annan.

OBS: Det deklarerade vibrationsemismissionsvärdet kan också användas i en preliminär bedömning av exponering för vibration.

⚠ VARNING: Vibrationsemissionen under faktisk användning av maskinen kan skilja sig från det deklarerade emissionsvärdet, beroende på hur maskinen används.

⚠ VARNING: Var noga med att identifiera säkerhetsåtgärder för att skydda användaren, vilka är grundade på en uppskattning av graden av exponering för vibrationer under de faktiska användningsförhållandena, (ta, förutom avtryckartiden, med alla delar av användarcykeln i beräkningen, som till exempel tiden då maskinen är avstängd och när den går på tomgång).

EG-försäkrans om överensstämmelse

Gäller endast inom EU

EG-försäkrans om överensstämmelse inkluderas som bilaga A till denna bruksanvisning.

SÄKERHETSVARNINGAR

Allmänna säkerhetsvarningar för maskiner

⚠ VARNING: Läs alla säkerhetsvarningar, anvisningar, illustrationer och specifikationer som medföljer det här maskinen. Underlåtenhet att följa instruktionerna kan leda till elstötar, brand och/eller allvarliga personskador.

Spara alla varningar och instruktioner för framtida referens.

Termen "maskin" som anges i varningarna hänvisar till din eldrivna maskin (sladdansluten) eller batteridrivna maskin (sladdlös).

Säkerhetsvarningar för batteridrivna kedjesåg

- Håll alla kroppsdelar borta från kedjesågen när den är igång. Se till att sågkedjan inte vidrör någonting innan du startar kedjesågen.** Ett ögonblick av ouppmärksamhet medan du arbetar med kedjesågen kan leda till att kedjesågen kommer i kontakt med dina kläder eller med kroppen.
- Håll alltid kedjesågen med din högerhand på det övre handtaget och din vänsterhand på det främre handtaget.** Om du håller i kedjesågen med händerna tvärtom ökar risken för personskador, vilket absolut inte får ske.
- Håll endast maskinen i de isolerade handtagen om det finns risk för att sågkedjan kan komma i kontakt med en dold elkabel.** Om sågkedjan kommer i kontakt med en strömförande ledning blir maskinens metalldelar strömförande och kan ge operatören en elektrisk stöt.
- Använd skyddsglasögon och hörselskydd.** Ytterligare skyddsutrustning för huvud, händer, ben och fötter rekommenderas. Passande skyddskläder minskar risken för personskador från flygande materialrester eller oavsiktlig kontakt med sågkedjan.

- Se alltid till att du står på rätt sätt.**
- Var uppmärksam vid sågning av en gren som är spänd eftersom den kan fjädra tillbaka.** När spänningen i träfibrerna släpper kan den spända grenen slå tillbaka mot användaren och/eller slå kedjesågen ur händerna.
- Var mycket försiktig vid sågning av buskar och unga träd.** Det fina materialet kan fånga sågkedjan och piskas emot dig eller få dig ur balans.
- Bär kedjesågen i det främre handtaget och bort från kroppen med maskinen avstängd. Vid transport eller förvaring av kedjesågen ska alltid svärdskyddet sitta på.** Korrekt hantering av kedjesågen minskar risken för oavsiktlig kontakt när sågkedjan är i rörelse.
- Följ instruktionerna för smörjning, kedjesträckning och utbyte av tillbehör.** Felaktig sträckning eller kedjesmörjning kan antingen få kedjan att gå av eller öka risken för bakåtkast.
- Håll handtagen torra, rena och fria från olja och smuts.** Hala handtag orsakar okontrollerad sågning.
- Såga endast i trä. Använd kedjesågen endast för det ändamål den är avsedd för.** Till exempel: använd den inte för sågning i plast, murverk eller annat byggmaterial som inte är av trä. Användning av kedjesågen för annat ändamål än vad den är avsedd för kan leda till att en farlig situation uppstår.
- Orsaker till och förebyggande av bakåtkast:** Bakåtkast kan uppstå när nosen eller spetsen på svärdet kommer i kontakt med ett objekt, eller när träet kniper tagi och låser fast kedjesågen i skäret. Kontakt med spetsen kan i vissa fall orsaka en plötslig motsatt reaktion där svärdet slås uppåt och bakåt mot användaren. Fastlåsnings av sågkedjan längs spetsen på svärdet kan snabbt trycka svärdet bakåt mot användaren. Endera av dessa reaktioner kan orsaka att du tappar kontrollen över sågen vilket kan resultera i allvarliga personskador. Lita inte utslutande på de inbyggda säkerhetsenheterna i din såg. Som en kedjesågsanvändare ska du vidta försiktighetsåtgärder så att inte olyckor eller skador uppstår i ditt arbete med sågen.
Bakåtkast beror på ovarsamhet och/eller felaktiga arbetsrutiner eller -förhållanden och kan undvikas genom att vidta nedanstående förebyggande åtgärder:
 - Upprätthåll ett stadigt grepp med tummar och fingrar runt kedjesågens handtag, med båda händerna på sågen och i en position där din kropp och dina armar kan undvika styrkan av ett eventuellt bakåtkast. Användaren kan kontrollera styrkan av ett bakåtkast om korrekta åtgärder har vidtagits. Släpp inte kedjesågen.

► Fig. 1

- Sträck dig inte för långt när du använder maskinen och såga inte över axelhöjd. Detta förhindrar oavsiktlig kontakt med spetsen och ger bättre kontroll över kedjesågen i oväntade situationer.
- Använd endast reservdelar som svärd och kedjor specificerade av tillverkaren. I annat fall kan det orsaka att kedjan går av och/eller bakåtkast.

- Följ tillverkarens instruktioner för slipning och underhåll av sågkedjan. Minskning av höjden på underställningsklacken kan leda till ökad risk för bakåtkast.
13. **Kontrollera att kedjan är i gott skick och uppfyller säkerhetsanvisningarna innan arbetet påbörjas. Kontrollera i synnerhet att:**
 - Kedjebromsen fungerar.
 - Tröghetsbromsen fungerar.
 - Svärdet och kedjedrevskåpan är rätt monterade.
 - Kedjan är filad och spänd i enlighet med anvisningarna.
 14. **Starta inte kedjesågen när kedjeskyddet är kvar.** Att starta kedjesågen med kedjeskyddet monterat kan leda till att kedjeskyddet kastas framåt vilket resulterar i personskada och skada på föremål runt omkring användaren.

Specifika säkerhetsvarningar för bästa hantering av kedjesågen

1. **Denna kedjesåg är särskilt framtagen för trädvård och trädkirurgi. Kedjesågen är avsedd att endast användas av personer med rätt yrkesutbildning. Följ alla anvisningar, procedurer och rekommendationer från relevant yrkesorganisation. I annat fall kan dödsolyckor inträffa. Vid sågning i träd rekommenderas att en hög- och sänkbar plattform (kranbil) alltid används. Friklattringstekniker är extremt farliga och kräver specialutbildning. Utövaren måste vara tränad för att känna till användningen av säkerhetsutrustning och klättringstekniker. Använd alltid lämpliga bälten, rep och karbinhakar vid arbete i träd. Använd alltid fixeringsanordningar både för användaren och sågen.**
2. **Rengör och underhåll maskinen innan förvaring, i enlighet med bruksanvisningen.**
3. **Försäkra dig om att kedjesågen är stadigt placerad under biltransport för att undvika bränsle- eller oljeläckage, skada på maskinen och personskador.**
4. **Kontrollera regelbundet kedjebromsens funktion.**
5. **Fyll inte på kedjeolja nära eld. Rök aldrig när du fyller på kedjeolja.**
6. **Nationella bestämmelser kan begränsa användningen av kedjesågen.**
7. **Kontrollera utrustningen innan du fortsätter att arbeta igen om den slagits emot hårt eller fallit hårt. Kontrollera manöverkontrollerna och säkerhetsenheter så att de fungerar som de ska. Om det finns någon skada eller tveksamhet kontaktar du vårt auktoriserade servicecenter för kontroll och reparation.**
8. **Aktivera alltid kedjebromsen innan du startar kedjesågen.**
9. **Håll sågen stadigt på plats för att undvika att den glider (slirar) eller studsar när du påbörjar ett skär.**
10. **I slutet av skäret ska du vara noga med att hålla balansen på grund av "fallet".**
11. **Ta hänsyn till vindriktningen och -hastigheten. Undvik sågspån och kedjeoljedimma.**

Skyddsutrustning

1. **För att förhindra skador på huvud, ögon, händer och fötter samt för att skydda hörseln måste följande skyddsutrustning användas vid arbete med kedjesågen:**
 - Bekväm och funktionell klädsel med god passform (dvs. plagg som varken sitter för hårt eller löst). Bär varken smycken eller kläder som kan trassla in sig i sly eller buskar.
 - Använd alltid hårnät om du har långt hår!
 - Skyddshjälm måste alltid användas när du arbetar med kedjesågen. **Skyddshjälm** ska regelbundet kontrolleras för skador och bytas ut senast vart femte år. Använd endast godkända skyddshjälm.
 - **Visiret** på skyddshjälm (eller skyddsglasögonen) skyddar mot sågspån och träsplitter. För att undvika ögonskador ska alltid skyddsglasögon eller visir bäras när du arbetar med kedjesågen.
 - Använd lämplig **bullerskyddsutrustning** (hörselkåpor, öronproppar etc.)
 - **Skyddsjackan** består av 22 lager nylonväv och skyddar användaren mot skärsår. Den ska alltid användas när arbete utförs på hög- och sänkbara plattformar (kranbilar), från plattformar på stegar eller vid klättring med rep.
 - **Skyddsoverallen** är tillverkad av nylonväv i 22 lager och skyddar mot skärsår. Vi rekommenderar starkt att den används.
 - **Skyddshandskar** som tillverkas av tjockt läder är en del av den föreskrivna utrustningen och ska alltid bäras vid användning av kedjesågen.
 - Använd alltid **skyddsskor** eller **skyddskängor** med halkskyddssula, stålhatta och benskudd när du arbetar med kedjesågen. Skyddsskor med ett skyddslager som skyddar mot skärsår och ger ett stadigt fotfäste. För arbete i träd måste skyddskängorna vara lämpliga för klättringstekniker.

Vibration

1. Personer med cirkulationsbesvär som utsätts för kraftiga vibrationer kan drabbas av blodutgjutningar och skador på nervsystemet. Vibrationer kan orsaka följande symptom i fingrar, händer och handleder: "Domningar" (stumhet), darrningar, smärtor, stickningar, färgförändringar i huden och hudförändringar. **Uppsök läkare om du drabbats av något av dessa symptom!** För att minska risken för "vita fingrar" ska du hålla händerna varma under arbetet och hålla utrustningen och tillbehören i gott skick.

SPARA DESSA ANVISNINGAR.

⚠ VARNING: GLÖM INTE att också fortsättningsvis strikt följa säkerhetsanvisningarna för maskinen även efter att du blivit van att använda den. Vid **FELAKTIG HANTERING** av maskinen eller om inte säkerhetsanvisningarna i denna bruksanvisning följs kan följden bli allvariga personskador.

Viktiga säkerhetsanvisningar för batterikassetten

1. Innan batterikassetten används ska alla instruktioner och varningsmärken på (1) batteriladdaren, (2) batteriet och (3) produkten läsas.
2. Montera inte isär batterikassetten.
3. Om drifttiden blivit avsevärt kortare ska användningen avbrytas omedelbart. Det kan uppstå överhettning, brännskador och t o m en explosion.
4. Om du får elektrolyt i ögonen ska de sköljas med rent vatten och läkare uppsökas omedelbart. Det finns risk för att synen förloras.
5. Kortslut inte batterikassetten.
 - (1) Rör inte vid polerna med något strömförande material.
 - (2) Undvik att förvara batterikassetten tillsammans med andra metallobjekt som t.ex. spikar, mynt o.s.v.
 - (3) Skydda batteriet mot vatten och regn. En batterikortslutning kan orsaka ett stort strömflöde, överhettning, brand och maskinhaveri.
6. Förvara inte maskinen och batterikassetten på platser där temperaturen kan nå eller överstiga 50 °C.
7. Bränn inte upp batterikassetten även om den är svårt skadad eller helt utsliten. Batterikassetten kan explodera i öppen eld.
8. Var försiktig så att du inte råkar tappa batteriet och utsätt det inte för stötar.
9. Använd inte ett skadat batteri.

10. De medföljande litiumjonbatterierna är föremål för kraven i gällande lagstiftning för farligt gods.

För kommersiella transporter (av t.ex. tredje parter som speditorsfirmor) måste de särskilda transportkrav som anges på emballaget och etiketter iakttagas.

För att förbereda den produkt som ska avsändas krävs att du konsulterar en expert på riskmaterial. Var också uppmärksam på att det i ditt land kan finnas ytterligare föreskrifter att följa.

Tejpa över eller maskera blottade kontakter och packa batteriet på sådant sätt att det inte kan röra sig fritt i förpackningen.
11. Följ lokala föreskrifter beträffande avfallshandtering av batteriet.
12. Använd endast batterierna med de produkter som specificerats av Makita. Att använda batterierna med ej godkända produkter kan leda till brand, överdriven värme, explosion eller utläckande elektrolyt.

SPARA DESSA ANVISNINGAR.

⚠ FÖRSIKTIGT: Använda endast äkta Makita-batterier. Användning av oäkta Makita-batterier eller batterier som har manipulerats kan leda till person- och utrustningsskador eller till att batteriet fattar eld. Det upphäver också Makitas garanti för verktyget och laddaren.

Tips för att uppnå batteriets maximala livslängd

1. Ladda batterikassetten innan den är helt urladdad. Stanna alltid maskinen och ladda batterikassetten när du märker att maskinen blir svagare.
2. Ladda aldrig en fulladdad batterikasset. Överladdning förkortar batteriets livslängd.
3. Ladda batterikassetten vid en rumstemperatur på 10 °C - 40 °C. Låt en varm batterikasset svalna innan den laddas.
4. Ladda batterikassetten om du inte har använt den på länge (mer än sex månader).

BESKRIVNING AV DELAR

► Fig.2

1	Avtryckare	2	Övre handtag	3	Säkerhetsspärr
4	Främre handskydd	5	Svärd	6	Sågkedja
7	Kedjefångare	8	Låsmutter	9	Kedjeskruv
10	Spånavedare	11	Batterikasset	12	Lampa för nätspänning
13	Strömbrytare	14	Justerskruv (för oljepump)	15	Karbinhake
16	Främre handtag	17	Oljetanklock	18	Svärdskydd

FUNKTIONSBESKRIVNING

⚠ FÖRSIKTIGT: Se alltid till att maskinen är avstängd och batterikassetten borttagen innan du justerar maskinen eller kontrollerar dess funktioner.

Montera eller demontera batterikassetten

⚠ FÖRSIKTIGT: Stäng alltid av maskinen innan du monterar eller tar bort batterikassetten.

⚠ FÖRSIKTIGT: Håll stadigt i maskinen och batterikassetten när du monterar eller tar bort batterikassetten. I annat fall kan det leda till att de glider ur dina händer och orsakar skada på maskinen och batterikassetten samt personskada.

► **Fig.3:** 1. Röd indikator 2. Knapp 3. Batterikassett

Ta bort batterikassetten genom att skjuta ner knappen på kassetten framsida samtidigt som du drar ut batterikassetten.

Sätt i batterikassetten genom att rikta in tungan på batterikassetten mot spåret i höljet och skjut den på plats. Tryck in batterikassetten ordentligt tills den låser fast med ett klick. Om du kan se den röda indikatorn på knappens ovansida är den inte läst ordentligt.

⚠ FÖRSIKTIGT: Sätt alltid i batterikassetten helt tills den röda indikatorn inte längre syns. I annat fall kan den oväntat falla ur maskinen och skada dig eller någon annan.















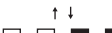

⚠ FÖRSIKTIGT: Montera inte batterikassetten med våld. Om kassetten inte lätt glider på plats är den felinsatt.

Indikerar kvarvarande batterikapacitet

Endast för batterikassetter med indikator

► **Fig.4:** 1. Indikatorlampor 2. Kontrollknapp

Tryck på kontrollknappen på batterikassetten för att se kvarvarande batterikapacitet. Indikatorlamporna lyser i ett par sekunder.

Indikatorlampor			Kvarvarande kapacitet
 Upplyst	 Av	 Blinkar	
			75% till 100%
			50% till 75%
			25% till 50%
			0% till 25%
			Ladda batteriet.
			Batteriet kan ha skadats.
			

OBS: Beroende på användningsförhållanden och den omgivande temperaturen kan indikationen skilja sig lätt från den faktiska batterikapaciteten.

Skyddssystem för maskinen/batteriet

Verktyget är utrustat med ett skyddssystem för verktyget/batteriet. Detta system bryter automatiskt strömmen till motorn för att förlänga verktygets och batteriets livslängd. Verktyget stoppar automatiskt under användningen om verktyget eller batteriet hamnar i en av följande situationer:

Överbelastningsskydd

När batteriet används på ett sätt som gör att den drar onormalt mycket ström, stoppar maskinen automatiskt och lampan för nätspänning blinkar grönt. När detta sker stänger du av maskinen och upphör med arbetet som gjorde att den överbelastades. Starta därefter upp maskinen igen.

Överhettningsskydd

När maskinen eller batteriet överhettas stoppas den automatiskt och lampan börjar blinka. I sådant fall ska du låta maskinen och batteriet svalna innan du startar den igen.

OBS: I miljöer med höga temperaturer är det troligt att överhettningsskyddet löser ut och maskinen stoppar automatiskt.

Överurladdningsskydd

När batterikapaciteten inte är tillräcklig stoppas maskinen automatiskt och lampan börjar blinka rött. I sådant fall ska batteriet tas ur maskinen och laddas.

Strömbrytare

⚠ VARNING: Stäng alltid av strömbrytaren när verktyget inte används.

För att aktivera maskinen, tryck på strömbrytaren tills lampan för nätspänning lyser grönt. För att stänga av trycker du på strömbrytaren igen.

► **Fig.5:** 1. Lampa för nätspänning 2. Strömbrytare

OBS: Lampan för nätspänning blinkar grönt om avtryckaren aktiveras vid felaktiga förhållanden. Lampan blinkar vid ett av följande tillstånd.

- När du aktiverar strömbrytaren medan du håller ner säkerhetsspärren och avtryckaren.
- När du aktiverar avtryckaren medan kedjebromsen är aktiverad.
- När du släpper kedjebromsen medan du håller ner säkerhetsspärren och avtryckaren.

OBS: Denna kedjesåg har en automatisk avstängningsfunktion. För att undvika oavsiktlig start kommer strömbrytaren automatiskt att stänga ner när avtryckaren inte aktiveras under en viss tid efter strömbrytaren aktiverats.

Du kan använda denna maskin i Torque Boost-läge för att kapa tjocka eller hårda grenar. För att använda denna maskin i Torque Boost-läge från avstängt läge, tryck på strömbrytaren ett par sekunder tills lampan för nätspänning lyser gult.

OBS: Du kan använda denna maskin i Torque Boost-läge i upp till 30 sekunder. Beroende på driftsförhållanden återgår detta läge till normal läge inom mindre än 30 sekunder.

OBS: Om lampan för nätspänning blinkar gult när du trycker på strömbrytaren ett par sekunder är Torque Boost-läge inte tillgängligt. Om så är fallet, följ stegen nedan.

- Torque Boost-läge är inte tillgängligt direkt efter kapningsförfarande. Vänta mer än 10 sekunder och tryck därefter på strömbrytaren igen.
- Om du använder Torque Boost-läge flera gånger begränsas användningen av Torque Boost-läge för att skydda batteriet. Om Torque Boost-läge inte är tillgängligt när du har väntat i mer än 10 sekunder, byt ut batterikassetten mot en fulladdad batterikassett eller ladda batterikassetterna på nytt.

OBS: Om lampan för nätspänning börjar lysa rött eller blinkar i rött eller grönt, se instruktionerna för skyddssystemet för maskinen/batteriet.

OBS: Torque Boost-läge kan inte användas när batterikassett BL1815N, BL1820 eller BL1820B är installerad.

Avtryckarens funktion

⚠ VARNING: Detta verktyg är utrustat med en säkerhetsspärr som förhindrar oavsiktlig start. Använd ALDRIG maskinen om den startar när du trycker på avtryckaren utan att ha tryckt in säkerhetsspärren. Returnera verktyget till ett auktoriserat servicecenter för reparation INNAN du fortsätter att använda det.

⚠ VARNING: Sätt ALDRIG säkerhetsspärren ur funktion genom att t.ex. tejpa över den.

⚠ FÖRSIKTIGT: Innan du sätter i batterikassetten i maskinen ska du kontrollera att avtryckaren fungerar och återgår till läget "OFF" när du släpper den.

OBSERVERA: Tryck inte in avtryckaren utan att ha tryckt in säkerhetsspärren. Det kan skada avtryckaren.

Säkerhetsspärrens funktion är att förhindra att avtryckaren oavsiktligt trycks in. Starta maskinen genom att först trycka in startspärren och sedan avtryckaren. Hastigheten ökar genom att du trycker hårdare på avtryckaren. Släpp avtryckaren för att stoppa maskinen.
► **Fig. 6:** 1. Avtryckare 2. Säkerhetsspärr

Kontroll av kedjebroms

⚠ FÖRSIKTIGT: Håll kedjesågen med båda händerna när du startar den. Håll det övre handtaget med höger hand och det främre handtaget med vänster hand. Svärdet och kedjan får inte vara i kontakt med något.

⚠ FÖRSIKTIGT: Om kedjan inte stannar omedelbart när du kontrollerar denna funktion får sågen inte användas under några omständigheter. Kontakta ett auktoriserat servicecenter.

1. Tryck på säkerhetsspärren och tryck in avtryckaren. Sågen startar omedelbart.
2. Tryck det främre handskyddet framåt med baksidan av handen. Se till att kedjesågen stoppar helt.
► **Fig. 7:** 1. Främre handskydd 2. Olåst position 3. Låst position

Kontroll av tröghetsbroms

⚠ FÖRSIKTIGT: Om sågkedjan inte stannar inom två sekunder i detta test, sluta använda kedjesågen och kontakta vårt auktoriserade servicecenter.

Kör kedjesågen och släpp därefter avtryckaren helt. Kedjan måste stanna helt inom två sekunder.

Justering av kedjesmörjningen

Du kan justera matningshastigheten för oljepumpen med justeringssskruven och en universalnyckel. Oljemängden kan justeras i tre steg.

► **Fig. 8:** 1. Inställningsskruv

Karbinhake (fästpunkt för rep)

Du kan hänga maskinen genom att fästa ett rep i karbinhaken. Dra upp karbinhaken och knyt därefter fast ett rep i den.

Elektronisk funktion

Maskinen är utrustad med elektroniska funktioner för enkel användning.

- Mjukstart
Mjukstartsfunktionen minimerar ryck vid uppstarten och gör att maskinen får en mjuk start.

MONTERING

⚠ FÖRSIKTIGT: Se alltid till att maskinen är avstängd och batterikassetten borttagen innan du underhåller maskinen.

⚠ FÖRSIKTIGT: Rör inte vid sågkedjan med bara händer. Bär alltid handskar när du hanterar sågkedjan.

Ta bort eller montera sågkedjan

⚠ FÖRSIKTIGT: Sågkedjan och svärdet är fortfarande varma direkt efter användning. Låt dem svalna tillräckligt innan du utför något arbete på maskinen.

⚠ FÖRSIKTIGT: Montera eller ta bort kedjan på en ren plats fri från sågdamm och liknande.

Utför följande steg för att ta bort sågkedjan:

1. Lossa på kedjebromsen genom att dra i det främre handskyddet.
2. Lossa på kedjeskruven och därefter på låsmuttern.
► **Fig.9:** 1. Kedjeskruv 2. Låsmutter

3. Ta bort kedjedrevskåpan och ta därefter bort sågkedjan och svärdet från kedjesågen.

Utför följande steg för att montera sågkedjan:

1. Kontrollera sågkedjans rotationsriktning. Ställ in sågkedjans riktning med markeringen på kedjesågens kropp.
2. Passa in ena änden av sågkedjan på toppen av svärdet.
3. Passa in den andra änden av sågkedjan runt kedjehjulet och fäst sedan svärdet i kedjesågens kropp genom att rikta in hålen i svärdet med stiften på kedjesågens kropp.
► **Fig.10:** 1. Kedjehjul 2. Hål

4. För in de utskjutande delarna på kedjehjulskåpan på kedjesågens kropp och stäng sedan kåpan så att bultarna och stiften på kedjesågens kropp passar in med deras motsvarande delar på kåpan.
► **Fig.11:** 1. Utskjutande del 2. Kedjedrevskåpa 3. Bult 4. Stift

5. Dra fast låsmuttern för att säkra kedjehjulskåpan och lossa den därefter lite för inställning av spänning.
► **Fig.12:** 1. Låsmutter

Justering av kedjesträckning

⚠ FÖRSIKTIGT: Sträck inte sågkedjan för mycket. En alltför sträckt kedja kan medföra kedjebrott, ökat slitage på svärdet eller trasig kedjesträckare.

⚠ FÖRSIKTIGT: En kedja som inte är tillräckligt spänd kan hoppa ur sitt spår och orsaka en olycka.

Kedjan kan förlora sin sträckning efter ett antal timmars användning. Kontrollera därför emellanåt kedjesträckningen innan du använder kedjesågen.

1. Lossa på kedjebromsen genom att dra i det främre handskyddet.
2. Lossa lätt på låsmuttern för att lossa kedjehjulskåpan lite lätt.
► **Fig.13:** 1. Låsmutter
3. Lyft upp svärdspetsen lite och justera kedjesträckningen. Vrid kedjeskruven medurs för att dra åt och moturs för att lossa.

För kedjeblad 90PX och 91PX:

Spänn åt sågkedjan tills den nedre delen av sågkedjan passar in i svärdets skena.

- **Fig.14:** 1. Svärd 2. Sågkedja 3. Kedjeskruv

För kedjeblad 25AP:

Dra fast sågkedjan så att spelet mellan mitten på svärdets undersida och sågkedjan är ungefär 1 mm till 2 mm.

4. Fortsätt att hålla lätt i svärdet och dra åt kedjedrevskåpan.

För kedjeblad 90PX och 91PX:

Se till att sågkedjan inte slackar på den undre sidan.

För kedjeblad 25AP:

Se till att spelet mellan mitten på svärdets undersida och sågkedjan är ungefär 1 mm till 2 mm.

5. Dra åt låsmuttern medurs för att säkra kedjehjulskåpan.

► **Fig.15:** 1. Låsmutter

Se till att sågkedjan ligger tätt mot den undre sidan av svärdet.

Barkskydd

Extra tillbehör

Använd barkskyddet enligt rekommendationerna vid kapning av tjocka grenar. För att montera barkstödet följer du följande steg:

1. Ta bort kedjehjulskåpan, sågkedjan och svärdet.
2. Rikta in hålen på barkskyddet med hålen på kedjesågens kropp och dra därefter fast skruven ordentligt.
► **Fig.16:** 1. Skruv 2. Barkskydd

ANVÄNDNING

Smörjning

Sågkedjan blir automatiskt smord när maskinen är i användning. Kontrollera regelbundet återstående mängd olja i oljetanken genom inspektionsfönstret för olja. För att fylla på tanken lägger du kedjesågen på sidan och tar av oljetanklocket. Korrekt mängd olja är 140 ml. Se till att oljetanklocket sitter på ordentligt efter påfyllning.

► **Fig.17:** 1. Oljetanklock 2. Inspektionsfönster för olja

Håll bort kedjesågen från trädet efter påfyllning. Starta den och vänta tills smörjningen av sågkedjan är tillräcklig.

► **Fig.18**

OBSERVERA: När du fyller på kedjeolja för första gången, eller om du fyller på olja när tanken blivit helt tom, ska du fylla på olja upp till kragen på påfyllningshålet. Oljefördelningen kan annars försämrats.

OBSERVERA: Använd endast en sågkedjeolja som är avsedd för Makita:s kedjesågar eller motsvarande som finns tillgänglig i handeln.

OBSERVERA: Använd aldrig olja som innehåller damm och partiklar eller flyktig olja.

OBSERVERA: Använd botanisk olja vid beskärning av träd. Mineralolja kan skada träden.

OBSERVERA: Innan du börjar såga, kontrollera att det medföljande oljetanklocket är fastskruvat på plats.

ARBETA MED KEDJESÅGEN

⚠ FÖRSIKTIGT: Förstagångsanvändare ska, åtminstone som en liten övning, börja såga stockar på en sågbock eller ställning.

⚠ FÖRSIKTIGT: Vid sågning i förkapat timmer ska du använda ett säkert stöd (sågbock eller vagg). Stöd inte arbetsstycket med din fot och tillåt inte att någon annan håller eller stödjer det.

⚠ FÖRSIKTIGT: Fäst runda arbetsstycken så att de inte roterar.

⚠ FÖRSIKTIGT: Håll bort sågkedjan från kroppen när motorn är igång.

⚠ FÖRSIKTIGT: Håll i kedjesågen ordentligt med båda händerna när motorn är igång.

⚠ FÖRSIKTIGT: Översträck inte. Stå alltid stabil och ha god balans hela tiden.

OBSERVERA: Kasta eller tappa inte verktyget.

OBSERVERA: Täck inte över verktygets ventilationshål.

Beskärning av träd

För kedjesågen till den gren som ska sågas av innan sågen slås på. I annat fall kan svärdet kränga och skada användaren. Såga av det träd som ska sågas genom att använda kedjesågens vikt.

► Fig.19

Om du inte kan såga rakt igenom stocken med ett enda skär:

Tryck lätt på handtaget och fortsätt att såga och dra kedjesågen bakåt en aning.

► Fig.20

Gör först ett grunt snitt underifrån och genomför sedan sågningen uppifrån vid avsågning av tjocka grenar.

► Fig.21

Om du försöker såga av tjocka grenar underifrån kan grenen tränga in och klämma fast sågkedjan i snittet. Om du försöker såga av tjocka grenar ovanifrån utan att först lägga ett grunt snitt underifrån kan grenen flisas.

► Fig.22

Kapning

1. Vila kedjesågen på den gren som ska sågas av.

► Fig.23

2. Medan kedjan löper sågar du in i stocken genom att lyfta sågen med det övre handtaget och styra svärdet med det främre.

3. Fortsätt att såga genom att trycka lätt på det övre handtaget och lyfta sågens bakända något.

OBSERVERA: Stäng av sågen mellan skären om du ska göra fler kapningar.

⚠ FÖRSIKTIGT: Du kan få bakåtkast i riktning mot dig om du sågar med svärdets ovansida och kedjan kläms fast. Såga därför med undersidan så att sågen strävar i riktning bort från dig.

► Fig.24

När du kapar en stock som är utsatt för tryck ska alltid den tryckutsatta sidan (A) sågas först. Såga därefter slutskäret från den andra sidan (B). På så vis undviker du att svärdet kläms fast.

► Fig.25

Kvistning

⚠ FÖRSIKTIGT: Kvistning får endast utföras av personer med stor erfarenhet av sågning. Kastrisken är stor.

Om möjligt bör sågen stödas mot stammen. Använd inte spetsen på svärdet på grund av kastrisken.

Var särskilt uppmärksam på grenar som är i spänn.

Såga inte i fritt hängande grenar från undersidan.

Stå inte på det avverkade trädet vid kvistning.

Bära maskinen

Innan verktyget bärs måste kedjebromsen appliceras och batteriet tas bort. Fäst därefter på svärdskyddet.

Täck också batterikassetten med batteriskyddet.

► Fig.26: 1. Svärdskydd 2. Batterikåpa

UNDERHÅLL

⚠ FÖRSIKTIGT: Se alltid till att maskinen är avstängd och batterikassetten borttagen innan inspektion eller underhåll utförs.

⚠ FÖRSIKTIGT: Använd alltid handskar vid kontroller och underhåll.

OBSERVERA: Använd inte bensin, förtunningsmedel, alkohol eller liknande. Missfärgning, deformation eller sprickor kan uppstå.

För att upprätthålla produktens SÄKERHET och TILLFÖRLITLIGHET bör allt underhålls- och justeringsarbete utföras av ett auktoriserat Makita servicecenter och med reservdelar från Makita.

Filning av sågkedja

Fila kedjan när:

- Du får spåndamm när du sågar i fuktigt trä.
- Kedjan har svårt att såga trots att du trycker hårt med sågen.
- Skärtänderna är synbart skadade.
- Sågen drar åt vänster eller höger i träet (Orsakas av att filningen av sågkedjan har blivit ojämn eller skadad på någon av sidorna.)

Fila sågkedjan lite men ofta. Två eller tre drag med filen är oftast tillräckligt vid rutinmässig filning. Lämna sågkedjan för filning hos vårt auktoriserade servicecenter när du har filat om den många gånger.

Filningskriterier:

⚠ VARNING: Ett överdrivet avstånd mellan skäret och djupmätaren ökar risken för bakåtkast.

- **Fig.27:** 1. Sägslängd 2. Avstånd mellan skärlängd och djupmätaren 3. Minsta skärlängd (3 mm)

- Alla skärtänder måste vara lika långa. Olika längd på skärtänderna förhindrar att kedjesågen går jämnt och kan leda till kedjebrott.
- Slipa inte en kedja vars skärtänder har en längd som är 3 mm eller mindre. Kedjan måste bytas mot en ny.
- Spåntjockleken bestäms av avståndet mellan underställningsklacken (rund nos) och skärtanden.
- Det bästa sågresultatet uppnås med följande höjdskillnad mellan skärtand och underställningsklack.
 - Kedjebblad 90PX : 0,65 mm
 - Kedjebblad 91PX : 0,65 mm
 - Kedjebblad 25AP : 0,65 mm

► **Fig.28**

- Filningsvinkeln ska vara 30° och måste vara densamma för alla skärtänder. Skillnader i vinkel får kedjan att löpa ryckigt och ojämnt, slitaget ökar och det leder till kedjebrott på kedjan.
- Använd en lämplig rundfil så att korrekt vinkel hålls på tänderna.
 - Kedjebblad 90PX : 55°
 - Kedjebblad 91PX : 55°
 - Kedjebblad 25AP : 55°

Fil och filningsanvisningar

- Fila kedjan med en specialrundfil (valfritt tillbehör) för sågkedjor. Använd inte standard rundfiler.
- Diametern för rundfilen för varje sågkedja är följande:
 - Kedjebblad 90PX : 4,5 mm
 - Kedjebblad 91PX : 4,0 mm
 - Kedjebblad 25AP : 4,0 mm
- Fila endast med skjutande tag. Lyft filen från skärtanden när du för filen bakåt.
- Fila den kortaste skärtanden först. Längden för den kortaste skärtanden blir standard för alla andra skärtänder på sågkedjan.
- För filen på det sätt som framgår av figuren.

► **Fig.29:** 1. Fil 2. Sågkedja

- Det går lättare att fila om en filmall (tillbehör) används. Filmallen har markeringar för rätt filningsvinkel 30° (rikta in markeringarna parallellt med sågkedjan), och begränsar filningsdjupet (till 4/5 av filediametern).

► **Fig.30:** 1. Filhållare

- Kontrollera höjden på underställningsklacken med hjälp av specialverktyget (tillbehör) när kedjan är färdigfilad.

► **Fig.31**

- Ta bort eventuellt utskjutande material, avsett hur litet, med en speciell plattfil (tillbehör).
- Runda av främre delen av underställningsklacken igen.

Rengöring av svärdet

Spån och damm kommer att sätta igen spåret i svärdet. De kan sätta igen spåret i svärdet och försämra oljeflödet. Rensa bort spån och damm varje gång när sågkedjan slipas eller byts ut.

► **Fig.32**

Rengöra kedjedrevskåpan

Spån och damm ackumuleras inne i kedjedrevskåpan. Ta bort kedjedrevskåpan och sågkedjan från verktyget och gör rent från spån och damm.

► **Fig.33**

Rengöring av oljematningshålet

Fint damm eller små partiklar kan byggas upp i oljematningshålet under användning. Detta damm eller små partiklar kan försämra flödet av oljematningen och orsaka otillräcklig smörjning av hela sågkedjan. När oljematningsflödet försämras på svärdspetsen ska oljematningshålet rengöras på följande sätt.

1. Ta bort kedjedrevskåpan och sågkedjan från maskinen.
 2. Ta bort fint damm eller små partiklar med en spårskruvmejsel under ett smalt skaft eller liknande.
- **Fig.34:** 1. Spårskruvmejsel 2. Oljematningshål
3. Sätt i batterikassetten i maskinen. Tryck in avtryckaren för att få bort damm eller partiklar som satt igen oljematningshålet genom att släppa ut kedjeolja.
 4. Ta bort batterikassetten från maskinen. Sätt till-baka kedjedrevskåpan och sågkedjan på maskinen.

Utbyte av kedjehjulet

⚠ FÖRSIKTIGT: Ett slitet kedjehjul förorsakar skador på sågkedjan. Byt ut kedjehjulet om det är slitet.

Kontrollera konditionen på kedjehjulet innan en ny kedja monteras.

► **Fig.35:** 1. Kedjehjul 2. Slitna områden

Montera alltid en ny låsring samtidigt som du byter kedjehjul.

► **Fig.36:** 1. Låsring 2. Kedjehjul

OBSERVERA: Se till att kedjehjulet är installerat enligt figuren.

Förvara verktyget

1. Rengör maskinen innan förvaring. Ta bort spån och sågdamm från maskinen efter att kedjedrevskåpan är borttagen.
2. Kör maskinen utan belastning för att smörja sågkedjan och svärdet efter rengöringen.
3. Täck över svärdet med svärdskyddet.
4. Töm oljetanken.

Instruktioner för periodiskt underhåll

För att garantera lång livslängd, förebygga skador och säkerställa att säkerhetsfunktionerna fungerar måste följande underhåll utföras regelbundet. Garanti lämnas endast om dessa arbeten utförs regelbundet och på föreskrivet sätt. Om det föreskrivna underhållet inte utförs kan allvarliga olyckor uppstå! Användaren av kedjesågen ska inte utföra underhållsarbeten som inte finns beskrivna i bruksanvisningen. Alla sådana arbeten ska utföras av ett auktoriserat servicecenter.

Kontrollera föremålet/ drifttiden	Före användning	Varje dag	Varje vecka	Var tredje månad	Varje år	Innan förvaring
Kedjesåg	Inspektion.	✓	-	-	-	-
	Rengöring.	-	✓	-	-	-
	Kontakta ett auktoriserat servicecenter.	-	-	-	-	✓
Sågkedja	Inspektion.	✓	-	-	-	-
	Slipning vid behov.	-	-	-	-	✓
Svärd	Inspektion.	✓	✓	-	-	-
	Ta bort från kedjesågen.	-	-	-	-	✓
Kedjebroms	Kontrollera funktion.	✓	-	-	-	-
	Låt inspektera regelbundet av ett auktoriserat servicecenter.	-	-	-	✓	-
Kedjesmörjning	Kontrollera oljematningshastigheten.	✓	-	-	-	-
Avtryckare	Inspektion.	✓	-	-	-	-
Säkerhetsspärr	Inspektion.	✓	-	-	-	-
Oljetanklock	Kontrollera stramhet.	✓	-	-	-	-
Kedjefångare	Inspektion.	-	-	✓	-	-
Skrubar och muttrar	Inspektion.	-	-	✓	-	-

FELSÖKNING

Innan du ber om reparation ska du först utföra en egen kontroll. Om du hittar ett problem som inte finns förklarat i bruksanvisningen ska du inte försöka att ta isär maskinen. Fråga istället ett auktoriserad servicecenter för Makita, och använd alltid reservdelar från Makita för reparationer.

Felstatus	Orsak	Åtgärd
Kedjesågen startar inte.	Batterikassetten är inte installerad.	Sätt i en laddad batterikasset.
	Batteriproblem (låg spänning).	Ladda batterikassetterna på nytt. Om laddning inte hjälper byter du ut batterikassetten.
	Strömbrytaren är från.	Kedjesågen stäng av automatiskt om den inte används under en viss tid. Aktivera strömbrytaren igen.
Kedjesågen fungerar inte.	Kedjebroms aktiverad.	Lossa kedjebromsen.
Motorn stannar efter en kort stunds användning.	Batterinivån är låg.	Ladda batterikassetterna på nytt. Om laddning inte hjälper byter du ut batterikassetten.
Ingen olja på kedjan.	Oljetanken är tom.	Fyll på oljetanken.
	oljekanalerna är smutsiga.	Gör rent spåren.
	Dålig oljetillförsel.	Justera oljemängden med justerskruven.
Kedjesågen når inte det maximala varvtalet.	Batterikassetten är felaktigt insatt.	Sätt i batterikassetterna enligt anvisningarna i denna bruksanvisning.
	Batterinivån sjunker.	Ladda upp batterikassetten. Om laddning inte hjälper byter du ut batterikassetten.
	Drivsystemet fungerar inte som det ska.	Fråga ett auktoriserat servicecenter i din region avseende reparation.
Lampan för nätspänning blinkar grönt.	Avtryckaren aktiveras vid oavsiktliga förhållanden.	Aktivera avtryckaren när strömbrytaren aktiverats och kedjebromsen släppts.
Kedjan stannar inte även om kedjebromsen är aktiverad: Stoppa maskinen omedelbart!	Bromsbandet är slitet.	Fråga ett auktoriserat servicecenter i din region avseende reparation.
Onormal vibration: Stoppa maskinen omedelbart!	Lossa svärdet eller kedjesågen.	Justera svärdet och kedjespänningen.
	Verktygself.	Fråga ett auktoriserat servicecenter i din region avseende reparation.
Torque Boost-läge är inte tillgängligt efter batteribyte till en fulladdad batterikasset.	Beroende på driftförhållanden är Torque Boost-läge inte tillgängligt efter byte av batterikasset.	Använd maskinen i normalt läge tills den installerade batterikassetten blir urladdad och byt därefter ut den mot en fulladdad batterikasset, eller ladda upp batterikassetten.

VALFRIA TILLBEHÖR

⚠ FÖRSIKTIGT: Följande tillbehör eller tillsatser rekommenderas för användning med den **Makita-maskin som denna bruksanvisning avser.** Om andra tillbehör eller tillsatser används kan det uppstå risk för personskador. Använd endast tillbehören eller tillsatserna för de syften de är avsedda för.

Kontakta ditt lokala Makita servicecenter om du behöver ytterligare information om dessa tillbehör.

- Sågkedja
- Svärd
- Svärdskydd
- Kedjehjul
- Barkskydd
- Fil
- Verktygsväska
- Makitas originalbatteri och laddare

⚠ VARNING: Om du köper ett svärd med en annan längd än standardsvärd måste du även köpa ett lämpligt svärdskydd. Det måste passa och helt täcka kedjesågens svärdskydd.

OBS: Några av tillbehören i listan kan vara inkluderade i maskinpaketet som standardtillbehör. De kan variera mellan olika länder.

TEKNISKE DATA

Modell:		DUC204	DUC254	DUC254C
Total lengde (uten sverd)		256 mm		
Nominell spenning		DC 18 V		
Nettvekt		2,8 - 3,3 kg		
Standard sverdlengde		200 mm	250 mm	
Anbefalt sverdlengde	med 90PX	200 - 250 mm		-
	med 91PX	-	250 mm	-
	med 25AP	-		250 mm
Egnet sagkjedetype (se tabellen nedenfor)		90PX	90PX 91PX	25AP
Standard kjedehjul	Antall tenner	6		9
	Vinkel	3/8"		1/4"
Kjedehastighet		0 - 24 m/s (0 - 1 440 m/min)		0 - 22,5 m/s (0 - 1 350 m/min)
Volum kjedeoljetank		140 cm ³		

- På grunn av vårt kontinuerlige forsknings- og utviklingsprogram kan spesifikasjonene som oppgis i dette dokumentet endres uten varsel.
- Spesifikasjonene kan variere fra land til land.
- Vekten kan variere avhengig av tilbehøret/tilbehørene, inkludert batteriet. Den letteste og tyngste kombinasjonen, i henhold til EPTA-prosedyre 01/2014, vises i tabellen.

Standard batteri

BL1815N / BL1820 / BL1820B / BL1830 / BL1830B / BL1840 / BL1840B / BL1850 / BL1850B / BL1860B

- Noen av batteriene som er opplistet ovenfor er kanskje ikke tilgjengelige, avhengig av hvor du bor.

⚠ADVARSEL: Bruk kun de batteriene som er opplistet ovenfor. Bruk av andre batterier kan føre til personskader og/eller brann.

Kombinasjonen sagkjede, sverd og kjedehjul

Sagkjedetype		90PX	
Antall drivkjeder		33	40
Sverd	Sverdlengde	200 mm	250 mm
	Skjærelengde	180 mm	244 mm
	Vinkel	3/8"	
	Måleinnetning	1,1 mm	
	Type	Feste for kjedehjul	
Kjedehjul	Antall tenner	6	
	Vinkel	3/8"	

Sagkjedetype		91PX	
Antall drivkjeder		40	
Sverd	Sverdlengde	250 mm	
	Skjærelengde	244 mm	
	Vinkel	3/8"	
	Måleinnetning	1,3 mm	
	Type	Feste for kjedehjul	
Kjedehjul	Antall tenner	6	
	Vinkel	3/8"	

Sagkjedetype		25AP
Antall drivkjeder		60
Sverd	Sverdlengde	250 mm
	Skjærelengde	250 mm
	Vinkel	1/4°
	Måleinretning	1,3 mm
	Type	Kurvvestag
Kjedehjul	Antall tenner	9
	Vinkel	1/4°

OBS: Ved bruk av 25AP sagkjede, bruk det med kjedehjul 9 (ekstrautstyr).

⚠ ADVARSEL: Bruk riktig kombinasjon av sverd og sagkjede. Ellers kan det medføre alvorlige personskader.

Symboler

Nedenfor ser du symbolene som brukes for dette utstyret. Forviss deg om at du forstår hva de betyr, før du begynner å bruke maskinen.

	Les bruksanvisningen.
	Bruk vernebriller.
	Bruk hørselsvern.
	Bruk hjelm, vernebriller og hørselsvern.
	Bruk egnet verneutstyr på føttene og bena, og på hendene og armene.
	Denne sagen må kun brukes av operatører med grundig opplæring.
	Må ikke utsettes for fuktighet.
	Maksimalt tillatt skjærelengde
	Du må alltid bruke begge hender når du bruker motorsagen.
	Kjedets rotasjonsretning
	Justering av oljen til sagkjede
	Ni-MH Li-ion
	Kun for EU-land Kast aldri elektroutstyr eller batteripakker i husholdningsavfallet! I henhold til EU-direktivene om kasserte elektriske og elektroniske produkter, og om batterier og akkumulatører og direktivenes iverksettning i nasjonal rett, må elektriske produkter og batterier og batteripakker som ikke lenger skal brukes, samles separat og returneres til et miljøvennlig gjenvinningsanlegg.

Riktig bruk

Verktøyet er beregnet for kutting av greiner og beskjæring av trær. Verktøyet er også egnet til dyrking av trær.

Støy

Typisk A-vektet lydtryknivå er bestemt i henhold til IEC62841-4-1:

Modell DUC204

Lydtryknivå (L_{pA}): 92,2 dB (A)
Lydeffektnivå (L_{WA}): 103,2 dB (A)
Usikkerhet (K): 2,5 dB (A)

Modell DUC254

Lydtryknivå (L_{pA}): 92,2 dB (A)
Lydeffektnivå (L_{WA}): 103,2 dB (A)
Usikkerhet (K): 2,5 dB (A)

Modell DUC254C

Lydtryknivå (L_{pA}): 92,2 dB (A)
Lydeffektnivå (L_{WA}): 103,2 dB (A)
Usikkerhet (K): 2,5 dB (A)

⚠ ADVARSEL: Bruk hørselsvern.

Vibrasjoner

Den totale vibrasjonsverdien (triaksial vektorsum) bestemt i henhold IEC62841-4-1:

Modell DUC204

Arbeidsmodus: saging av tre
Genererte vibrasjoner ($a_{h,W}$): 3,1 m/s²
Usikkerhet (K): 1,5 m/s²

Modell DUC254

Arbeidsmodus: saging av tre
Genererte vibrasjoner ($a_{h,W}$): 3,1 m/s²
Usikkerhet (K): 1,5 m/s²

Modell DUC254C

Arbeidsmodus: saging av tre
Genererte vibrasjoner ($a_{h,W}$): 4,1 m/s²
Usikkerhet (K): 1,5 m/s²

MERK: Den angitte verdien for de genererte vibrasjonene er målt i samsvar med standardtestmetoden og kan brukes til å sammenlikne et verktøy med et annet.

MERK: Den angitte verdien for de genererte vibrasjonene kan også brukes til en foreløpig vurdering av eksponeringen.

⚠ ADVARSEL: De genererte vibrasjonene ved faktisk bruk av elektroverktøyet kan avvike fra den angitte vibrasjonsverdien, avhengig av hvordan verktøyet brukes.

⚠ ADVARSEL: Sørg for å identifisere vernetiltak for å beskytte operatøren, som er basert på et estimat av eksponeringen under de faktiske bruksforholdene (idet det tas hensyn til alle deler av driftssyklusen, dvs. hvor lenge verktøyet er slått av, hvor lenge det går på tomgang og hvor lenge startbryteren faktisk holdes trykket).

EFs samsvarserklæring

Gjelder kun for land i Europa

EFs samsvarserklæring er lagt til som vedlegg A i denne bruksanvisningen.

SIKKERHETSADVARSEL

Generelle advarsler angående sikkerhet for elektroverktøy

⚠ ADVARSEL: Les alle sikkerhetsadvarsler, instruksjoner, illustrasjoner og spesifikasjoner som følger med dette elektroverktøyet. Hvis ikke alle instruksjonene nedenfor følges, kan det forekomme elektrisk støt, brann og/eller alvorlig skade.

Oppbevar alle advarsler og instruksjoner for senere bruk.

Uttrykket «elektrisk verktøy» i advarslene refererer både til elektriske verktøy (med ledning) tilkoblet strømmettet, og batteridrevne verktøy (uten ledning).

Sikkerhetsadvarsler for trådløs motorsag

- Hold alle kroppsdeler unna sagkjedet når motorsagen er i gang. Før du starter motorsagen må du forvisse deg om at kjedet ikke er borti noe.** Et øyeblikks uoppmerksomhet mens du bruker motorsagen kan være nok til å sette fast klærne eller kroppsdeler i sagkjedet.
- Du må alltid holde motorsagen med høyre hånd i topphåndtaket og venstre hånd på det fremre håndtaket.** Hvis du holder motorsagen på motsatt vis, øker dette risikoen for personskade. Ikke hold utstyret på denne måten.
- Hold elektroverktøyet bare i de isolerte gripeflatene, for sagkjedet kan komme i kontakt med skjulte ledninger.** Hvis et sagkjede kommer i kontakt med en strømførende ledning, vil også uisolerte deler av maskinen gjøres strømførende og kunne gi operatøren elektrisk støt.
- Bruk alltid vernebriller og hørselsvern.** Det anbefales å bruke ytterligere verneutstyr for hode, hender, bein og føtter. Passende vemeklær vil redusere personskadene som følger av flygende flis eller utilsikket kontakt med sagkjedet.

- Ha alltid godt forfeste.**
- Når du kutter en gren som står i spenn, må du være forberedt på å hoppe tilbake.** Når spenningen i trefibrene utløses, vil den fjærbelastede grenen kunne slå til operatøren og/eller kaste motorsagen ut av kontroll.
- Vær ekstremt forsiktig ved kutting av buskvekster og ungrær.** Det tynne materialet kan sette seg fast i sagkjedet og piskes mot deg eller trekke deg ut av likevekt.
- Motorsagen må kun bæres etter det fremre håndtaket, og den må være slått av og peke bort fra kroppen din. Ved transport eller lagring av motorsagen må sverdbeskytteren alltid settes på.** Korrekt håndtering av motorsagen vil redusere sannsynligheten for at du ved et ulykkes-tilfelle kommer borti det roterende sagkjedet.
- Følg instruksjonene for smøring, kjedestramming og skifting av tilbehør.** Et kjede som ikke er strammet eller smurt på riktig måte, kan enten brenne eller øke sjansen for tilbakeslag (kickback).
- Hold håndtakene tørre, rene og fri for olje og smørefett.** Fete, oljete håndtak er glatte og fører til at du mister kontrollen.
- Bare bruk sagen på tre. Ikke bruk motorsagen til annet enn det den er konstruert for.** For eksempel: Ikke bruk motorsagen til å kutte plast, mur eller andre byggematerialer enn tre. Hvis motorsagen brukes til andre operasjoner enn den er konstruert for, kan det resultere i farlige situasjoner.
- Årsaker til tilbakeslag og hvordan operatøren kan forhindre dette:**
Tilbakeslag kan oppstå hvis spissen av sverdet kommer borti en gjenstand, eller når treet lukker seg og klemmer fast sagkjedet i snittet. I noen tilfeller kan det å komme borti noe med spissen føre til en plutselig motsatt rettet reaksjon, så sverdet kastes oppover og tilbake mot operatøren. Hvis sagkjedet kommer i klem langs oversiden av sverdet, kan sverdet slås raskt tilbake mot operatøren. Begge disse reaksjonene kan føre til at du mister kontrollen over sagen, og til at du får store helseskader. Ikke stol utelukkende på sikkerhetsanordningene som er innebygd i sagen din. Som bruker av en motorsag bør du treffe flere tiltak for å sikre at sagejobbene dine foregår uten ulykker eller skader.
Tilbakeslag er et resultat av feil bruk av maskinen og/eller feilaktige arbeidsprosedyrer eller arbeidsforhold, og kan unngås hvis man tar de rette forholdsregler (se nedenfor):
 - Hold maskinen i et fast grep med begge hender, slik at tomlene og fingrene ligger rundt håndtakene på motorsagen, og hold kroppen og armene dine slik at de kan motstå kraften fra maskinen i tilfelle den slår tilbake mot deg. Kraften i tilbakeslaget kan kontrolleres av operatøren, hvis vedkommende tar sine forholdsregler. Ikke slipp motorsagen.

► Fig. 1

- Ikke len deg over verktøyet eller skjær over skulderhøyde. På denne måten kan du unngå at du uforvarende kommer borti noe med spissen av sverdet, og du får bedre kontroll med motorsagen i uventede situasjoner.

- Bare bruk reservesverd og -kjeder som er spesifisert av produsenten. Feil reservesverd og -kjeder kan føre til at kjedet ryker og/eller til tilbakeslag (kickback).
 - Følg produsentens slipe- og vedlikeholds-anvisninger for sagkjedet. Hvis du reduserer høyden på rytterne kan du komme til å øke faren for tilbakeslag.
13. **Før du begynner å jobbe, må du kontrollere at motorsagen er funksjonsdyktig og i så god stand at den oppfyller sikkerhetskravene. Kontroller særlig at:**
- Kjedebremsen virker som den skal
 - Utkoblingsbremsen virker som den skal
 - Sverdet og kjedehjulbeskyttelsen er satt riktig på
 - Kjedet er slipt og strammet i samsvar med retningslinjene.
14. **Ikke start motorsagen mens kjededeckslet monteres.** Dette kan medføre personskader og skader på gjenstander i området rundt brukeren.

Spesifikke sikkerhetsadvarsler for motorsag med fronthåndtak

1. Denne motorsagen er spesielt konstruert for pleie og dyrking av trær. Motorsagen er kun beregnet brukt av opplærte personer. Følg alle instruksjoner, prosedyrer og anbefalinger fra relevant profesjonell leverandør. Ellers kan det oppstå ulykker med døden som følge. Det anbefales alltid å bruke heveplattform (heisekurv, lift) for saging i trær. Rappellering er svært farlig, og krever spesialopplæring. Operatørene må være opplært i bruk av sikkerhetsutstyr og klatreteknikker. Bruk alltid egnede belter, tau og karabinkroker ved arbeid i trær. Bruk alltid fastspenningsutstyr for både operatør og sag.
2. Utfør rengjøring og vedlikehold i henhold til brukerveiledningen før lagring.
3. Ved transport i kjøretøy må du sørge for at motorsagen er forsvarlig sikret for å unngå lekkasje av drivstoff eller kjedeolje og for å unngå skade på verktøyet og personskade.
4. Kontroller jevnlig funksjonaliteten til kjedebremsen.
5. Ikke fyll på kjedeolje nær åpen ild. Aldri røyk når du fyller på kjedeolje.
6. Nasjonale forskrifter kan begrense bruken av motorsagen.
7. Hvis utstyret blir utsatt for kraftig støt eller fall, må du kontrollere tilstanden før arbeidet fortsetter. Se etter svikt i kontrollene og sikkerhetsinnretningene. Hvis du er i tvil om verktøyet er skadet, kan du kontakte vårt autoriserte servicesenter for inspeksjon og reparasjon.
8. Aktiver alltid kjedebremsen før du starter motorsagen.
9. Hold sagen godt for å unngå at sagen glir eller spretter når du starter å skjære.
10. Når du har sagt nesten gjennom grenen, må du være nøye med å holde balansen når grenen "faller".

11. **Ta i betraktning vindretning og vindhastighet. Unngå sagflis og sprut av kjedeolje.**

Verneutstyr

1. **For å unngå skader på hode, syn, hender, føtter eller hørsel, må følgende verneutstyr brukes ved bruk av motorsagen:**
 - Bekledningen skal være hensiktsmessig, dvs. tettsittende, men ikke hindrende. Ikke bruk smykker eller klær som kan være til hinder under arbeidet. Bruk alltid hårnett hvis du har langt hår!
 - Det er nødvendig å bruke hjelm når du bruker motorsagen. **Hjelmen** skal kontrolleres jevnlig for skade, og må skiftes etter minst hvert 5. år. Anvend kun godkjente hjelmer.
 - **Visiret** på hjelmen (eller vernebrillene) beskytter mot sagflis og trefliser. For å forhindre synsskader skal det alltid benyttes vernebriller eller ansiktsbeskyttelse ved arbeid med motorsagen.
 - Bruk riktig **hørselsvern** (øreklodder, øreplugg-er, osv.)
 - **Vernejakken** består av 22 lag med nylon, og beskytter operatøren mot kuttskader. Bruk alltid jakke under arbeid fra heveplattformer (heisekurver, lifter), fra plattformer som er montert på stiger eller ved klatring i tau.
 - **Vernebuksen og snekkerbuksen** er laget av 22 lag med nylonstoff og beskytter mot kuttskader. Det anbefales sterkt å benytte disse.
 - **Vernehanskene** som er laget av tykt skinn, inngår i det foreskrevne utstyret og må alltid brukes ved bruk av motorsagen.
 - Under arbeid med motorsagen skal det alltid brukes **vernesko** eller **vernestøvler** med antisklisåle, stålkappe og leggbeskyttelse. Vernesko utstyrt med beskyttelsesinnlegg gir beskyttelse mot kuttskader og gir sikkert fotfeste. For arbeid i trær, må vernestøvlene være egnet for klatring.

Vibrasjoner

1. Hvis personer med dårlig sirkulasjon utsettes for kraftige vibrasjoner, kan det føre til skade på blodkar eller nervesystem. Som følge av vibrasjoner kan følgende symptomer oppstå på fingre, hender eller håndledd: "Kroppsdeler sovner" (nummenhet), kiling, smerter, stikkende følelse eller endring av hudfargen. **Oppsøk lege hvis disse symptomene oppstår!** Hold hendene varme under arbeidet, og vedlikehold utstyr og tilbehør for å unngå "hvite fingre".

TA VARE PÅ DISSE INSTRUKSENE.

⚠ ADVARSEL: IKKE LA hensynet til hva som er "behagelig" eller det faktum at du kjenner produktet godt (etter mange gangers bruk) gjøre deg mindre oppmerksom på sikkerhetsreglene for bruken av det aktuelle produktet. Ved MISBRUK eller hvis ikke sikkerhetsreglene i denne bruksanvisningen følges, kan det oppstå alvorlig personskade.

Viktige sikkerhetsanvisninger for batteriinnsetts

1. Før du begynner å bruke batteriet, må du lese alle anvisninger og forsiktighetsregler på (1) batteriladeren, (2) batteriet og (3) det produktet batteriet skal brukes i.
2. Ikke ta fra hverandre batteriet.
3. Hvis driftstiden er blitt vesentlig kortere, må du omgående slutte å bruke maskinen. Hvis ikke kan resultatet bli overoppheting, mulige forbrenninger eller til og med en eksplosjon.
4. Hvis du får elektrolytt i øynene, må du skylle dem med store mengder rennende vann og oppsøke lege med én gang. Denne typen uhell kan føre til varig blindhet.
5. Ikke kortslett batteriet:
 - (1) De kan være ekstremt varme og du kan brenne deg.
 - (2) Ikke lagre batteriet i samme beholder som andre metallgjenstander, som for eksempel spiker, mynter osv.
 - (3) Ikke la batteriet komme i kontakt med vann eller regn.En kortslutning av batteriet kan føre til et kraftig strømstøt, overoppheting, mulige forbrenninger og til og med til at batteriet går i stykker.
6. Ikke lagre maskinen og batteriet på steder hvor temperaturen kan komme opp i eller overskride 50 °C.
7. Ikke sett fyr på batteriet, ikke engang om det er sterkt skadet eller helt utslitt. Batteriet kan eksplodere hvis det begynner å brenne.
8. Vær forsiktig så du ikke mister batteriet eller utsetter det for slag.
9. Ikke bruk batterier som er skadet.

10. **Lithium-ion-batteriene som medfølger er gjenstand for krav om spesialavfall.**
For kommersiell transport, f.eks av tredjeparter eller speditorer, må spesielle krav om pakking og merking følges.
Før varen blir sendt, må du forhøre deg med en ekspert på farlig materiale. Ta også hensyn til muligheten for mer detaljerte nasjonale bestemmelser.
Bruk teip eller maskeringsteip for å skjule åpne kontakter og pakk inn batteriet på en slik måte at den ikke kan bevege seg rundt i emballasjen.
11. **Følg lokale bestemmelser for avhending av batterier.**
12. **Bruk batteriene kun med produkter spesifisert av Makita.** Montere batteriene i produkter som ikke er konforme kan føre til brann, overheting eller elektrolyttlekkasje.

TA VARE PÅ DISSE INSTRUKSENE.

⚠FORSIKTIG: Bruk kun originale Makita-batterier. Bruk av batterier som har endret seg, eller som ikke er originale Makita-batterier, kan føre til at batteriet sprekker og forårsaker brann, personskader og andre skader. Det vil også ugyldiggjøre garantien for Makita-verktøyet og -laderen.

Tips for å opprettholde maksimal batterilevetid

1. **Lad batteriinnsettsen før den er helt utladet. Stopp alltid driften av verktøyet og lad batteriinnsettsen når du merker at effekten reduseres.**
2. **Lad aldri en batteriinnsetts som er fulladet. Overopplading forkorter batteriets levetid.**
3. **Lad batteriet i romtemperatur ved 10 °C - 40 °C. Et varmt batteri må kjøles ned før lading.**
4. **Lad batteriet hvis det ikke har vært brukt på en lang stund (over seks måneder).**

DELEBESKRIVELSE

► Fig.2

1	Startbryter	2	Toppåndtak	3	Av-sperreknapp
4	Vern for håndtaket foran	5	Sverd	6	Sagkjede
7	Kjedefanger	8	Festemutter	9	Justeringsskrue for kjedet
10	Sponleder	11	Batteriinnsetts	12	Strømlampe
13	Strømbryter	14	Justeringsskrue (for oljepumpen)	15	Karabinkrok
16	Håndtak foran	17	Oljetanklokk	18	Sverddeksel

FUNKSJONSBEKRIVELSE

⚠️ FORSIKTIG: Forviss deg alltid om at maskinen er slått av og batteriet tatt ut før du justerer maskinen eller kontrollerer dens mekaniske funksjoner.

Sette inn eller ta ut batteri

⚠️ FORSIKTIG: Slå alltid av verktøyet før du setter inn eller fjerner batteriet.

⚠️ FORSIKTIG: Hold verktøyet og batteripatronen i et fast grep når du monterer eller fjerner batteripatronen. Hvis du ikke holder verktøyet og batteripatronen godt fast, kan du miste grepet, og dette kan føre til skader på verktøyet og batteripatronen samt personskader.

► **Fig. 3:** 1. Rød indikator 2. Knapp 3. Batteriinnsetts

For å ta ut batteriet må du skyve på knappen foran på batteriet og trekke det ut.

Når du skal sette inn batteriet, må du plassere tungen på batteriet på linje med sporet i huset og skyve batteriet på plass. Skyv det helt inn til det går i inngrep med et lite klikk. Hvis du kan se den røde anviseren på over-siden av knappen, er det ikke fullstendig låst.

⚠️ FORSIKTIG: Batteriet må alltid settes helt inn, så langt at den røde anviseren ikke lenger er synlig. Hvis dette ikke gjøres, kan batteriet komme til å falle ut av maskinen og skade deg eller andre som oppholder seg i nærheten.

⚠️ FORSIKTIG: Ikke bruk makt når du setter i batteriet. Hvis batteriet ikke glir lett inn, er det fordi det ikke settes inn på riktig måte.

Indikere gjenværende batterikapasitet

Kun for batterier med indikatoren

► **Fig. 4:** 1. Indikatorlamper 2. Kontrollknapp

Trykk på sjekk-knappen på batteriet for vise gjenværende batterikapasitet. Indikatorlampene lyser i et par sekunder.

Indikatorlamper			Gjenværende batterinivå
Tent	Av	Bliker	
■	□	▬	
■ ■ ■ ■			75 % til 100 %
■ ■ ■ □			50 % til 75 %
■ ■ □ □			25 % til 50 %
■ □ □ □			0 % til 25 %
▬ □ □ □			Lad batteriet.
■ ■ □ □	↑	□ □	Batteriet kan ha en feil.
□ □ ■ ■	↓	■ ■	

MERK: Det angitte nivået kan avvike noe fra den faktiske kapasiteten alt etter bruksforholdene og den omgivende temperaturen.

Batterivernsystem for verktøy/batteri

Verktøyet er utstyrt med et batterivernsystem for verktøy/batteri. Dette systemet kutter automatisk strømmen til motoren for å forlenge verktøyets og batteriets levetid. Verktøyet stopper automatisk under drift hvis verktøyet eller batteriet utsettes for en av følgende tilstander:

Overlastsikring

Når batteriet brukes på en måte som gjør at det bruker unormalt mye strøm, vil verktøyet stoppe automatisk, og strømlampen blinker grønt. Hvis dette skjer, må du slå av verktøyet og avslutte bruken som forårsaket at verktøyet ble overbelastet. Slå deretter verktøyet på for å starte det igjen.

Overopphetingsvern

Når verktøyet eller batteriet er overopphetet, stanser verktøyet automatisk, og strømlampen lyser rødt. I dette tilfellet lar du verktøyet og batteriet avkjøles før du starter verktøyet på nytt.

MERK: Overopphetingsvernet vil sannsynligvis fungere i omgivelser med høye temperaturer.

Overutladingsvern

Når batterikapasiteten blir utilstrekkelig, stopper verktøyet automatisk og strømlampen blinker rødt. Da fjerner du batteriet fra verktøyet og lader det.

Strømbryter

⚠️ ADVARSEL: Pass på å slå av strømbryteren når den ikke er i bruk.

For å skru på verktøyet, trykk på hovedstrømknappen til strømlampen lyser grønt. For å skru av, trykk på strømbryteren igjen.

► **Fig. 5:** 1. Strømlampe 2. Strømbryter

MERK: Strømlampen blinker grønt hvis startbryteren du trekker i under forhold der verktøyet ikke kan brukes. Lampen blinker i en av de følgende tilstandene.

- Når du skrur på strømbryteren mens du holder nede AV-sperrehendelen og startbryteren.
- Når du trykker på startbryteren mens kjedebremesen er aktiv.
- Når du frigir kjedebremesen mens du holder nede AV-sperrehendelen og trekker i startbryteren.

MERK: Denne motorsagen har tatt i bruk automatisk utkobling. For å unngå utilsiktet oppstart, vil strømbryteren slås av automatisk når bryterutløseren ikke er trukket i løpet av en tidsperiode etter at strømbryteren er skrudd på.

Du kan bruke verktøyet i Torque Boost-modus for å sake tykke eller harde greiner. For å bruke verktøyet i Torque Boost-modus når verktøyet er skrudd av, trykk på strømbryteren i noen få sekunder til strømlampen lyser gult.

MERK: Du kan bruke verktøyet i Torque Boost-modus i opp til 30 sekunder. Avhengig av bruksforholdene skifter denne modusen til normalmodus på mindre enn 30 sekunder.

MERK: Hvis strømlampen blinker gult når du trykker på strømknappen i noen få sekunder, er Torque Boost-modus ikke tilgjengelig. I dette tilfellet, følg trinnene nedenfor.

- Torque Boost-modus er ikke tilgjengelig rett etter at du har saget. Vent i mer enn 10 sekunder, og trykk på strømbryteren igjen.
- Hvis du bruker Torque Boost-modus flere ganger, blir Torque Boost-modus begrenset for å beskytte batteriet. Hvis Torque Boost-modus ikke er tilgjengelig etter at du har ventet i mer enn 10 sekunder, skift ut batteriet med ett som er fulladet eller lad opp batteriet.

MERK: Hvis strømlampen lyser rødt eller blinker grønt, se i instruksjonene for beskyttelsessystemet for verktøy/batteri.

MERK: Torque Boost-modus når batteriene BL1815N, BL1820 eller BL1820B er installert.

Bryterfunksjon

⚠ ADVARSEL: Av hensyn til din sikkerhet er denne maskinen utstyrt med en AV-sperrehendel som forhindrer utilsiktet start av maskinen.

Maskinen må **ALDRI** brukes hvis den starter når du trykker på startbryteren uten at du også må trykke på AV-sperrehendelen. Returner maskinen til et autorisert servicesenter for å få den reparert **FØR** videre bruk.

⚠ ADVARSEL: AV-sperrehendelen må **ALDRI** holdes inne med tape, og den må **ALDRI** settes ut av funksjon.

⚠ FORSIKTIG: Før du setter batteriet inn i maskinen, må du alltid kontrollere at startbryteren aktiverer maskinen på riktig måte og går tilbake til «AV»-stilling når den slippes.

OBS: Ikke trykk hardt på utløseren uten å trykke på AV-sperrehendelen. Dette kan få bryteren til å brekke.

For å hindre at startbryteren betjenes ved et uhell, er verktøyet utstyrt med en AV-sperrehendel. Trykk inn AV-sperrehendelen og trykk på startbryteren for å starte verktøyet. Turtallet til verktøyet økes når du drar hardere i startbryteren. Slipp startbryteren for å stanse verktøyet.

► **Fig.6:** 1. Startbryter 2. Av-sperrekna

Kontroll av kjedebremsen

⚠ FORSIKTIG: Hold kjedesagen med begge hender når du slår den på. Hold det øvre håndtaket med høyre hånd og det fremre håndtaket med venstre hånd. Sverd og kjede må ikke berøre noen gjenstander.

⚠ FORSIKTIG: Hvis sagkjedet ikke stopper umiddelbart når denne testen utføres, må ikke sagen brukes. Kontakt et autorisert servicesenter.

1. Trykk på låsespaken og trekk i startbryteren. Sagkjedet starter umiddelbart.

2. Skyv det fremre håndvernet fremover med håndbaken. Pass på at motorsagen straks stopper fullstendig.

► **Fig.7:** 1. Vern for håndtaket foran 2. Ulåst posisjon 3. Låst stilling

Kontroll av utkoblingsbremsen

⚠ FORSIKTIG: Hvis sagkjedet ikke stopper i løpet av to sekunder i denne testen, avslutt bruken av motorsagen og ta kontakt med et av våre autoriserte servicesentre.

Kjør motorsagen, og så slipper du startbryteren helt. Sagkjedet må stoppe i løpet av to sekunder.

Justere kjedesmøringen

Du kan justere tilførselshastigheten for oljepumpen med justeringsskruen ved bruk av universalnøkkelen. Oljemengden kan justeres i 3 trinn.

► **Fig.8:** 1. Justeringsskrue

Karabinkrok (festepunkt for tau)

Du kan henge opp verktøyet ved å feste tauet til karabinkroken. Trekk opp karabinkroken, og så bind den med tauet.

Elektronisk funksjon

Maskinen er utstyrt med de elektroniske funksjonen for å gjøre den enkel å bruke.

- Myk start
Myk start-funksjonen reduserer oppstartssjokket til et minimum, og gjør at maskinen starter mykt.

MONTERING

⚠ FORSIKTIG: Forviss deg alltid om at maskinen er slått av og batteriet tatt ut før du utfører noe arbeid på maskinen.

⚠ FORSIKTIG: Ikke ta på sagkjedet med bare hender. Bruk alltid hansker når du håndterer sagkjedet.

Ta av eller monterer sagkjedet

⚠️FORSIKTIG: Sagkjedet og sverdet er fortsatt varme etter bruk. La de avkjøles tilstrekkelig før du utfører arbeid på verktøyet.

⚠️FORSIKTIG: Utfør prosedyren for montering eller ommontering av sagkjedet på et rent sted uten sagmugg o.l.

Bruk følgende trinn for å ta av sagkjedet:

1. Frigi kjedebremsen ved å trekke i det fremre håndtaket.
2. Løsne justeringsskruen til kjedet, og så festemutteren.
▶ **Fig.9:** 1. Justeringsskrue for kjedet 2. Festemutter
3. Ta av kjedehjuldekeleet og så sagkjedet og kjedehjulet fra sagen.

Bruk følgende trinn for å montere sagkjedet:

1. Kontroller retningen til sagkjedet. Rett inn retningen av sagkjedet med merket på huset til sagkjedet.
2. Fest den ene enden av sagkjedet på toppen av sverdet.
3. Fest den andre enden av sagkjedet rundt kjedehjulet, og så fester du førestaget til saghuset, rette inn hullet på føreskinnen med naglen på motorsaghuset.
▶ **Fig.10:** 1. Kjedehjul 2. Hull
4. Sett inn fremspringet på kjedehjuldekeleet på saghuset, og slå lukkes dekeleet slik at bolter og nagler på saghuset treffer motpartene på dekeleet.
▶ **Fig.11:** 1. Fremspring 2. Kjedehjuldeksel 3. Bolt 4. Splint

5. Stram festemutteren for å sikre dekeleet til kjedehjulet og løsne den litt for strammingsjustering.
▶ **Fig.12:** 1. Festemutter

Justere strammingen av sagkjedet

⚠️FORSIKTIG: Unngå at sagkjedet strammes for hardt. Allfor kraftig stramming av sagkjedet kan forårsake brudd på sagkjedet, slitasje på sverdet og brudd på innstillingshjulet.

⚠️FORSIKTIG: Et kjede som er for løst kan hoppe av sverdet, og utgjør derfor en ulykke med personskade.

Sagkjedet kan bli løsere etter mange timers bruk. Fra tid til annen må du kontrollere strammingen av sagkjedet før bruk.

1. Frigi kjedebremsen ved å trekke i det fremre håndtaket.
2. Løsne festemutteren noe for å løsne kjedehjulbeskyttelsen litt.
▶ **Fig.13:** 1. Festemutter
3. Løft enden på sverdet litt oppover, og juster kjedestrømningen. Skru kjedestruer med klokken for å stramme den, og mot klokken for å løsne den.

For sagblad 90PX og 91PX:

Stram sagkjedet inntil den nedre delen av sagkjedet passer inn i sporet på sverdet, som illustrert.

- ▶ **Fig.14:** 1. Sverd 2. Sagkjede 3. Justeringsskrue for kjedet

For sagblad 25AP:

Stram sagkjedet slik at åpningen mellom det og midten på den nedre siden av sverdet blir mellom omtrent 1 mm til 2 mm.

4. Hold lett i sverdet, og stram kjedehjuldekeleet.

For sagblad 90PX og 91PX:

Pass på at sagkjedet ikke løsner på nedsiden.

For sagblad 25AP:

Pass på at åpningen mellom midten på den nedre siden av sverdet og sagkjedet blir mellom omtrent 1 mm til 2 mm.

5. Stram festemutteren for å sikre kjedehjuldekeleet.

▶ **Fig.15:** 1. Festemutter

Kontroller at sagkjedet ligger tett inntil den nedre siden av sverdet.

Støtnagle

Valgfritt tilbehør

Når du saker tykke greiner anbefales det å benytte støtnaglen. For å installere støtnaglen, utfør følgende trinn:

1. Ta av dekeleet på kjedehjulet, sagkjedet og sverdet.
2. Rett inn hullene i støtnaglen med hullene i kjedesaghuset, og så strammes skruene godt.
▶ **Fig.16:** 1. Skru 2. Støtnagle

BRUK

Smøring

Sagkjedet smøres automatisk når maskinen er i bruk. Kontroller jevnlig hvor mye olje som er igjen i tanken ved å se i oljeseglasset.

For å fylle tanken, legger du motorsagen på siden og tar av tanklokket. Riktig oljemengde er 140 ml. Etter at du har fylt opp tanken må du passe på at oljetanklokket er skrudd ordentlig på.

▶ **Fig.17:** 1. Oljetanklokk 2. Oljeseglass

Hold motorsagen slik at den vender bort fra treet etter påfylling. Start den og vent til smøringen av sagkjedet er passe.

▶ **Fig.18**

OBS: Når du fyller kjedeolje for første gang, eller når du fyller tanken etter at den har vært kjørt helt tom, må du fylle på olje til nederst på påfyllingsstussen. Ellers kan oljetilførselen bli for dårlig.

OBS: Bruk kjedeolje som er spesiallaget for motorsager fra Makita, eller tilsvarende olje som er tilgjengelig på markedet.

OBS: Du må aldri bruke olje som inneholder støv og partikler eller flyktig olje.

OBS: Bruk botanisk olje ved beskæring av trær. Mineralolje kan skade trærne.

OBS: Før du sager må du passe på at det medfølgende oljetanklokket er skrudd godt på.

ARBEIDE MED KJEDESAGEN

⚠FORSIKTIG: Brukeren bør ved første gangs bruk trene på å skjære stokker på en sagbukk eller lignende.

⚠FORSIKTIG: Når du sager tømmer som er kappet på forhånd, må du bruke en sikker støtte (sagbukk eller understell). Ikke hold arbeidsstykket med foten, og la ikke andre holde arbeidsstykket.

⚠FORSIKTIG: Sikre at rundt treverk ikke roterer.

⚠FORSIKTIG: Hold alle kroppsdeler vekk fra sagkjedet når motoren går.

⚠FORSIKTIG: Hold kjedesagen fast med begge hender når motoren går.

⚠FORSIKTIG: Ikke strekk deg for langt. Pass alltid på at du holder balansen og har godt fotfeste.

OBS: Du må aldri kaste, eller slippe ned verktøyet.

OBS: Ikke tildekk ventilene på verktøyet.

Beskjære trær

Sett den huset til motorsagen i kontakt med greinen som skal sages før du skrur på sagen. Ellers kan det forårsake at sverdet krenger, noe som kan føre til skade på operatøren. Sag treverket som skal kuttes, ved hjelp av vekten til sagen når du beveger den nedover.

► Fig.19

Hvis du ikke kan sage rett igjennom tømmeret med et enkelt slag:

Trykk lett på håndtaket, fortsett med sagingen og dra kjedesagen litt tilbake.

► Fig.20

Når du sager tykke grener, må du først lage et overflatisk snitt underfra og sluttsnittet fra toppen.

► Fig.21

Hvis du prøver å sage av tykke grener nedenfra, kan grenen trekke seg sammen rundt sagkjedet i snittet slik at den setter seg fast. Hvis du prøver å sage av tykke grener ovenfra uten et overflatisk snitt nedenfra, kan grenen splintres.

► Fig.22

Sage opp en stokk i kubber

1. La huset til motorsagen hvile på treet som skal sages.

► Fig.23

2. Med sagkjedet i gang sager du trevirket. Bruk topphåndtaket for å heve saken og håndtaket foran for å styre den.

3. Fortsett snittet ved å legge lett trykk på topphåndtaket mens du trekker saken noe tilbake.

OBS: Når du lager flere snitt, må du slå av saken mellom snittene.

⚠FORSIKTIG: Hvis den øvre kanten av sverdet brukes til saging, kan saken kastes mot deg hvis kjedet setter seg fast. Derfor må du sage med den nedre kanten, slik at saken eventuelt kastes bort fra deg.

► Fig.24

Når du sager tre som er i spenn, må du sage på trykksiden (A) først. Så utføres det siste snittet på strekksiden (B). På denne måten unngår du at sverdet setter seg fast.

► Fig.25

Kvisting

⚠FORSIKTIG: Kvisting må kun utføres av brukere som har fått opplæring i dette. Risikoen for tilbakeslag er et faremoment.

Når du kvister, må du støtte saken mot stammen hvis det er mulig. Ikke sag med spissen av sverdet, da dette medfører fare for tilbakeslag.

Vær spesielt oppmerksom på grener som står i spenn. Ikke sag greiner uten støtte unnenfra.

Ikke stå på den felte stammen når du kvister.

Bærbart verktøy

Før du bærer verktøyet må du alltid skrue på kjedebremsen og ta ut batteriinnsetsen fra verktøyet. Så settes sverddekslet på. Dekk også til batteriinnsetsen med dekslet.

► Fig.26: 1. Sverddeksel 2. Batterideksel

VEDLIKEHOLD

⚠FORSIKTIG: Forviss deg alltid om at maskinen er slått av og batteriet tatt ut før du foretar inspeksjon eller vedlikehold.

⚠FORSIKTIG: Bruk alltid hansker når du utfører inspeksjon eller vedlikehold.

OBS: Aldri bruk gasolin, bensin, tynner alkohol eller lignende. Det kan føre til misfarging, deformering eller sprekkdannelse.

For å opprettholde produktets SIKKERHET og PÅLITELIGHET, må reparasjoner, vedlikehold og justeringer utføres av autoriserte Makita servicesentre eller fabrikksservicesentre, og det må alltid brukes reservedeler fra Makita.

Slipe sagkjedet

Slip sagkjedet når:

- Det dannes melaktig sagflis når du sager i vått tre
- Kjedet har problemer med å trenge gjennom treet, selv når du legger kraftig press på saken
- Snittkanten er synlig skadet
- Årsaken til denne oppførselen er ujevn sliping av sagkjedet, eller at den ene siden av det er skadet (forårsaket av ujevn sliping av sagkjedet eller bare skade på den ene siden).

Slip sagkjedet hyppig, men bare litt hver gang. To eller tre strøk med en fil er vanligvis nok ved rutinemessig sliping. Når sagkjedet er blitt slipt om igjen flere ganger, bør du få det slipt hos et av våre godkjente servicesentre.

Slipekriterier:

⚠ ADVARSEL: For stor avstand mellom snittkanten og dybdemåleren øker risikoen for tilbakeslag.

► **Fig.27:** 1. Tannlengde 2. Avstand mellom snittkanten og dybdemåler 3. Minimum skjærelengde (3 mm)

- Alle tannlengder må være like. Tenner av ulik lengde hindrer at kjedet løper jevnt, og kan forårsake brudd på kjedet.
- Ikke slip kjedet når tannlengden har nådd 3 mm eller kortere. Kjedet må skiftes ut med et nytt.
- Spontykkelsen bestemmes av avstanden mellom rytterne (rund nese) og snittkanten.
- De beste sageresultatene oppnås med følgende avstand mellom snittkanten og rytterne.
 - Sagblad 90PX : 0,65 mm
 - Sagblad 91PX : 0,65 mm
 - Sagblad 25AP : 0,65 mm

► **Fig.28**

- Slipevinkelen på 30° må være lik på alle tennene. Ulikheter i vinkelen kan få kjedet til å gå brått og ujevnt, føre til raskere slitasje og kjedebrydd.
- Bruk en egnet rundfil slik at riktig slipevinkel beholdes mot tennene.
 - Sagblad 90PX : 55°
 - Sagblad 91PX : 55°
 - Sagblad 25AP : 55°

Fil og filføring

- Bruk en spesiell rundfil (valgfritt tilbehør) for sagkjedet hvis du ønsker å slippe det. Vanlige runde filer kan ikke brukes.
- Diameter for den runde filen for hvert sagkjede er som følger:
 - Sagblad 90PX : 4,5 mm
 - Sagblad 91PX : 4,0 mm
 - Sagblad 25AP : 4,0 mm
- Filen må bare berøre tannen på vei forover. Løft filen av tannen på vei tilbake.
- Slip den korteste tannen først. Den korteste tannens lengde blir standarden for alle tennene på sagkjedet.
- Før filen som vist på figuren.

► **Fig.29:** 1. Fil 2. Sagkjede

- Filen kan føres enklere ved hjelp av en filholder (ekstrautstyr). Filholderen har merker for korrekt slipevinkel på 30° (legg merkene parallelt med sagkjedet) og begrenser inntreningsdybden (til 4/5 av fildiametere).

► **Fig.30:** 1. Filholder

- Når kjedet er slipt, må du kontrollere høyden på rytterne ved hjelp av kjedemalen (ekstrautstyr).

► **Fig.31**

- Fjern eventuelt fremstikkende materiale, uansett hvor lite det dreier seg om, med en flat spesialfil (ekstrautstyr).
- Rytterne rundes av igjen i forkant.

Rengjør sverdet

Spon og sagflis vil samle seg i sverdsporet. De kan tette sporet og forhindre oljetilførselen. Fjern alltid spon og sagflis når du sliper eller skifter ut sagkjedet.

► **Fig.32**

Rengjøring av kjedehjulbeskyttelsen

Spon og sagflis vil samle seg opp på innsiden av dekslet. Ta kjedehjuldekslet og sagkjedet av sagen, og fjern spon og sagflis.

► **Fig.33**

Rengjøre oljeutstrømningshullet

Små partikler eller støv kan samle seg i oljeutstrømningshullet under bruk. Støvet eller partiklene kan skade oljetilførselen og forårsake utilstrekkelig smøring av hele sagkjedet. Når det kommer lite kjedeolje øverst på sverdet, må oljetømmingshullet rengjøres på følgende måte.

1. Ta kjedehjuldekslet og sagkjedet av sagen.
2. Fjern støv eller partikler ved bruk av sporskrutrekker med tynt skaft eller lignende.

► **Fig.34:** 1. Sporskrutrekker 2. Oljetømminghull

3. Sett inn batteriet i maskinen. Trykk på startbryteren for å la støv og partikler renne av oljetappetullet når du tømmer ut kjedeolje.
4. Ta ut batteriinnsetningen fra verktøyet. Sett på kjedehjuldekslet og sagkjedet igjen.

Skifte kjedehjulet

⚠ FORSIKTIG: Et utslitt kjedehjul vil skade sagkjedet. Skift i så fall ut kjedehjulet.

Før du monterer et nytt sagkjede, må du sjekke tilstanden til kjedehjulet.

► **Fig.35:** 1. Kjedehjul 2. Områder som slites ut

Monter alltid en ny låsering når du skifter kjedehjulet.

► **Fig.36:** 1. Låsering 2. Kjedehjul

OBS: Pass på at kjedehjulet er montert som vist i figuren.

Oppbevare verktøyet

1. Rengjør sagen før du legger den vekk. Fjern eventuell flis og sagmugg fra maskinen etter at du har fjernet kjedehjulbeskyttelsen.
2. Etter at du har rengjort maskinen, må du la den gå uten belastning, for å smøre sagkjedet og sverdet.
3. Dekk til sverdet med sverddekslet.
4. Tøm oljetanken.

Instruksjoner for periodisk vedlikehold

Følgende vedlikehold oppgaver må utføres jevnlig for å oppnå lang levetid, unngå skade og sikre full funksjon av sikkerhetsfunksjonene. Garantien gjelder kun hvis slikt arbeid utføres regelmessig og ordentlig. Hvis det ikke utføres beskrevet vedlikehold kan det føre til ulykker! Brukeren av kjedesagen må ikke utføre vedlikehold som ikke er beskrevet i brukerveiledningen. Alt slikt arbeid må utføres i et autorisert servicesenter.

Kontroller punkt/drifstid		Før bruk	Hver dag	Hver uke	Hver 3. måned	Årlig	Før lagring
Motorsag	Kontroll.	✓	-	-	-	-	-
	Rengjøring.	-	✓	-	-	-	-
	Rådfør deg med et godkjent servicesenter.	-	-	-	-	✓	✓
Sagkjede	Kontroll.	✓	-	-	-	-	-
	Slip ved behov.	-	-	-	-	-	✓
Sverd	Kontroll.	✓	✓	-	-	-	-
	Ta av fra kjedesagen.	-	-	-	-	-	✓
Kjedebremse	Kontroller funksjonen.	✓	-	-	-	-	-
	Få den kontrollert jevnlig ved et autorisert servicesenter.	-	-	-	✓	-	-
Smøring av kjedet	Kontroller hastigheten på oljetilførselen.	✓	-	-	-	-	-
Startbryter	Kontroll.	✓	-	-	-	-	-
Av-spærreknapp	Kontroll.	✓	-	-	-	-	-
Oljetanklokk	Kontroller stramming.	✓	-	-	-	-	-
Kjedefanger	Kontroll.	-	-	✓	-	-	-
Skuer og muttere	Kontroll.	-	-	✓	-	-	-

FEILSØKING

Inspiser utstyret selv før du bestiller reparasjon. Ikke prøv å demontere verktøyet hvis du finner et problem som ikke er forklart i brukerveiledningen. I stedet bør du ta kontakt med et av Makitas autoriserte servicesentre, som alltid bruker reservedeler fra Makita til reparasjoner.

Feilstatus	Årsak	Handling
Motorsagen starter ikke.	Batteriet er ikke satt inn.	Sett inn det ladede batteriet.
	Batteriproblem (lav spenning).	Lad batterikassetene. Hvis ladingen ikke virker, skal batterikasseten skiftes ut.
	Strømbryteren er av.	Motorsagen skrur av automatisk hvis den ikke er i bruk i en periode. Skru på strømbryteren igjen.
Sagkjedet går ikke.	Kjedebremsen er aktivert.	Frigi kjedebremsen.
Motoren stanser etter kort tids bruk.	Batteriets ladenivå er lavt.	Lad batterikassetene. Hvis ladingen ikke virker, skal batterikasseten skiftes ut.
Ikke noe olje på kjedet.	Oljetanken er tom.	Fyll oljetanken.
	Oljesporet er skittent.	Rengjør sporet.
	Dårlig oljeforsyning.	Juster oljetilførselen ved hjelp av justeringskruen.
Motorsagen når ikke maksimal OPM.	Batteriet er riktig satt inn.	Sett inn batterikassetene som beskrevet i denne håndboken.
	Batterieffekten minsker.	Lad batteriet. Hvis ladingen ikke virker, skal batterikasseten skiftes ut.
	Drivsystemet virker ikke slik det skal.	Spør det autoriserte servicesenteret i området om reparasjon.
Strømlampen blinker grønt.	Bryterutløseren trekkes ved forhold der verktøyet ikke kan brukes.	Trykk på bryterutløseren etter at strømbryteren er skrudd på og kjedebremsen er frigitt.
Kjedet stopper ikke selv når kjedebremsen er aktivert: Stans motoren umiddelbart!	Bremsebåndet er utslitt.	Spør det autoriserte servicesenteret i området om reparasjon.
Unormale vibrasjoner: Stans motoren umiddelbart!	Løst sagkjede eller sverd.	Juster sverdet og spennet til sagkjedet.
	Verktøyet virker ikke.	Spør det autoriserte servicesenteret i området om reparasjon.
Torque Boost-modus er ikke tilgjengelig etter at batteriet er skiftet ut med et fulladet ett.	Avhengig av bruksforholdene, er moment-modus ikke tilgjengelig etter at batteriet er skiftet ut.	Bruk verktøyet i normal modus til batteriet som er satt inn blir tomt, og så skifter du batteriet med et fulladet ett, eller lad opp batteriet.

VALGFRITT TILBEHØR

⚠️FORSIKTIG: Det anbefales at du bruker dette tilbehøret eller verktøyet sammen med den Makita-maskinen som er spesifisert i denne håndboken. Bruk av annet tilbehør eller verktøy kan forårsake personskader. Tilbehør og verktøy må kun brukes til det formålet det er beregnet på.

Ta kontakt med ditt lokale Makita-servicesenter hvis du trenger mer informasjon om dette tilbehøret.

- Sagkjede
- Sverd
- Sverddeksel
- Kjedehjul
- Støtnagle
- Fil
- Verktøypose
- Makita originalbatteri og lader

⚠️ADVARSEL: Hvis du kjøper et sverd med en annen lengde enn standardsverdet, må du også kjøpe et egnet deksel for det. Det må passe og helt ut dekke sverdet på kjedesagen.

⚠️MERK: Enkelte elementer i listen kan være inkludert som standardtilbehør i verktøypakken. Elementene kan variere fra land til land.

TEKNISET TIEDOT

Malli:		DUC204	DUC254	DUC254C
Kokonaispituus (ilman terälevyä)		256 mm		
Nimellisjännite		DC 18 V		
Nettopaino		2,8 - 3,3 kg		
Vakioterälevyn pituus		200 mm	250 mm	
Suositeltu terälevyn pituus	mallilla 90PX	200 - 250 mm		-
	mallilla 91PX	-	250 mm	-
	mallilla 25AP	-		250 mm
Käytettävän teräketjun tyyppi (katso lisätietoja allaolevasta taulukosta)		90PX	90PX 91PX	25AP
Vakiohammaspyörä	Hammasmäärä	6		9
	Nousu	3/8"		1/4"
Ketjun nopeus		0 - 24 m/s (0 - 1 440 m/min)		0 - 22,5 m/s (0 - 1 350 m/min)
Ketjuöljysäiliön tilavuus		140 cm ³		

- Jatkuvasta tutkimus- ja kehitystyöstämme johtuen esitetyt tekniset tiedot saattavat muuttua ilman erillistä ilmoitusta.
- Tekniset ominaisuudet voivat vaihdella maittain.
- Paino voi olla erilainen lisävarusteista sekä akusta johtuen. EPTA-menettelytavan 01/2014 mukaisesti, taulukossa on kuvattu kevyin ja painavin laiteyhdistelmä.

Käytettävä akkupaketti

BL1815N / BL1820 / BL1820B / BL1830 / BL1830B / BL1840 / BL1840B / BL1850 / BL1850B / BL1860B

- Tiettyjä yläpuolella kuvattuja akkuja ei ehkä ole saatavana asuinalueestasi johtuen.

VAROITUS: Käytä vain edellä eriteltyjä akkupaketteja. Muiden akkupakettien käyttäminen voi aiheuttaa loukkaantumisen ja/tai tulipalon.

Teräketjun, terälevyn ja hammaspyörän yhdistelmä

Teräketjun tyyppi		90PX	
Käyttölinkkien määrä		33	40
Terälevy	Terälevyn pituus	200 mm	250 mm
	Leikkauspituus	180 mm	244 mm
	Nousu	3/8"	
	Asteikko	1,1 mm	
	Tyyppi	Terälevyn kärkihammaspyörä	
Hammaspyörä	Hammasmäärä	6	
	Nousu	3/8"	

Teräketjun tyyppi		91PX	
Käyttölinkkien määrä		40	
Terälevy	Terälevyn pituus	250 mm	
	Leikkauspituus	244 mm	
	Nousu	3/8"	
	Asteikko	1,3 mm	
	Tyyppi	Terälevyn kärkihammaspyörä	
Hammaspyörä	Hammasmäärä	6	
	Nousu	3/8"	

Teräketjun tyyppi		25AP
Käyttölankien määrä		60
Terälevy	Terälevyn pituus	250 mm
	Leikkauspituus	250 mm
	Nousu	1/4"
	Asteikko	1,3 mm
	Tyyppi	Kaareva levy
Hammaspyörä	Hammasmäärä	9
	Nousu	1/4"

HUOMAUTUS: Kun käytössä on teräketju 25AP, käytä hammaspyörää 9 (valinnainen lisävaruste).

VAROITUS: Sopiva terälevyn ja teräketjun yhdistelmä. Muussa tapauksessa voi seurauksena olla henkilövahinkoja.

Symbolit

Laitteessa on käytetty seuraavia symboleja. Opettele niiden merkitys ennen käyttöä.



Lue käyttöohje.



Käytä suojalaseja.



Käytä kuulosuojaimia.



Käytä kypärää, suojalaseja ja kuulosuojaimia.



Käytä sopivia suoja- ja pitkähihaista paitaa ja pitkähihaisia housuja.



Tätä sahaa saavat käyttää vain sen käyttöön perehtyneet henkilöt.



Älä altista laitetta kosteudelle.



Sallittu maksimileikkauspituus



Ketjusahaa on käytettävä aina kahdella kädellä.



Ketjun liikesuunta



Sahan ketjuöljyn säätö



Ni-MH
Li-ion

Koskee vain EU-maita
Älä hävitä sähkölaitteita tai akkuja tavallisen kotitalousjätteen mukana!
Sähkö- ja elektroniikkalaiteromua koskevan EU-direktiivin ja niiden maakohtaisten sovellusten mukaisesti käytetyt sähkölaitteet ja akut on toimitettava ongelmajätteen keräyspisteeseen ja ohjattava ympäristöystävälliseen kierrätykseen.

Käyttötarkoitus

Työkalu on tarkoitettu oksien sahaamiseen ja puiden karsimiseen. Se sopii myös puistojen hoitoon.

Melutaso

Tyypillinen A-painotettu melutaso määräytyy standardin IEC62841-4-1 mukaan:

Malli DUC204

Äänenpainetaso (L_{pA}) : 92,2 dB (A)

Äänen voiman taso (L_{WA}) : 103,2 dB (A)

Virhemarginaali (K): 2,5 dB (A)

Malli DUC254

Äänenpainetaso (L_{pA}) : 92,2 dB (A)

Äänen voiman taso (L_{WA}) : 103,2 dB (A)

Virhemarginaali (K): 2,5 dB (A)

Malli DUC254C

Äänenpainetaso (L_{pA}) : 92,2 dB (A)

Äänen voiman taso (L_{WA}) : 103,2 dB (A)

Virhemarginaali (K): 2,5 dB (A)

VAROITUS: Käytä kuulosuojaimia.

Tärinä

Kokonaistärinä (kolmen akselin vektorien summa) määräytyy standardin IEC62841-4-1 mukaan:

Malli DUC204

Työtila: puun leikkaaminen

Tärinäpäästö ($a_{h,W}$) : 3,1 m/s²

Virhemarginaali (K): 1,5 m/s²

Malli DUC254

Työtila: puun leikkaaminen

Tärinäpäästö ($a_{h,W}$) : 3,1 m/s²

Virhemarginaali (K): 1,5 m/s²

Malli DUC254C

Työtila: puun leikkaaminen

Tärinäpäästö ($a_{h,W}$) : 4,1 m/s²

Virhemarginaali (K): 1,5 m/s²

HUOMAA: Ilmoitettu tärinäpäästöarvo on mitattu standarditestausmenetelmän mukaisesti, ja sen avulla voidaan vertailla työkaluja keskenään.

HUOMAA: Ilmoitettua tärinäpäästöarvoa voidaan käyttää myös altistumisen alustavaan arviointiin.

VAROITUS: Työkälun käytön aikana mitattu todellinen tärinäpäästöarvo voi poiketa ilmoitetusta tärinäpäästöarvosta työkalun käyttötavan mukaan.

VAROITUS: Selvitä käyttäjän suojaamiseksi tarvittavat varoitimet todellisissa käyttöolosuhteissa tapahtuvan arvioitun altistumisen mukaisesti (ottaen huomioon käyttöjaksoko kokonaisuudessaan, myös jaksot, joiden aikana työkalu on sammutettuna tai käy tyhjäkäynnillä).

EY-vaatimusten mukaisuusvakuutus

Koskee vain Euroopan maita

EY-vaatimusten mukaisuusvakuutus on liitetty tähän käyttöoppaaseen.

TURVAVAROITUKSET

Sähkötyökalujen käyttöä koskevat yleiset varoitukset

VAROITUS: Tutustu kaikkiin tämän sähkötyökalun mukana toimitettuihin varoituksiin, ohjeisiin, kuviin ja teknisiin tietoihin. Seuraavassa lueteltujen ohjeiden noudattamatta jättäminen saattaa johtaa sähköiskuun, tulipaloon tai vakavaan vammautumiseen.

Säilytä varoitukset ja ohjeet tulevaa käyttöä varten.

Varoituksissa käytettävällä termillä ”sähkötyökalu” tarkoitetaan joko verkkovirtaa käyttävää (johdollista) työkalua tai akkukäyttöistä (johdotonta) työkalua.

Akkukäyttöisen ketjusahan turvaohjeet

- Pidä kaikki jäsenet loitolla teräketjusta, kun ketjusahaa käytetään. Ennen kuin käynnistät ketjusahan, varmista, ettei sahan ketju osu mihinkään.** Hetkellisenkin käytönaikainen huolimattomuus voi aiheuttaa sen, että vaate tai jokin ruumiinjäsen jää kiinni teräketjuun.
- Pitele ketjusahaa aina siten, että oikea kätesi on yläkahvalla ja vasen kätesi etukahvalla.** Ketjusahaa ei pidä koskaan käyttää kädet päinvastaisessa asennossa, sillä se suurentaa tapaturmavaaraa.
- Pitele sähkötyökalua vain sen eristetyistä tartuntapinnoista, sillä teräketju saattaa osua piilossa oleviin johtoihin.** Jos teräketju osuu jännitteeseen johtoon, jännite voi siirtyä työkalun sähköä johtaviin metalliosiin ja aiheuttaa käyttäjälle sähköiskun.
- Käytä suojalaseja ja kuulosuojaimia.** On suositeltavaa käyttää muitakin kasvoja, käsiä ja jalkoja suojaavia suojavälineitä. Asianmukaisesti suojatut työvaatteet suojaavat pirstaleilta sekä teräkosketukselta.
- Varmista aina hyvä jalansija.**

- Kun sahaat jännityksessä olevaa oksaa, ota huomioon vastaiskun mahdollisuus.** Oksasta vapautuva jännite voi saada oksan iskeytymään käyttäjää vasten ja/tai lyödä ketjusahan käyttäjän hallinnasta.
- Ole erityisen varovainen sahatessasi pensaikoja ja taimia.** Ohuet varret voivat tarttua teräketjuun ja iskeytyä käyttäjään tai vetää käyttäjän tasapainosta.
- Kun kannat ketjusahaa, sammuta se ja pitele kiinni etukahvasta siten, että saha suuntautuu itsestäsi pois päin. Aseta teräsuojus paikalleen kuljetuksen ja varastoinnin ajaksi.** Ketjusahan asianmukainen käsittely vähentää todennäköisyyttä, että liikkuva terä osuu käyttäjään.
- Noudata voitelusta, teräketjun kiristämisestä ja lisävarusteiden vaihtamisesta annettuja ohjeita.** Väärin kiristetty tai voideltu ketju saattaa katketa tai lisätä takapotkun mahdollisuutta.
- Pidä kahvat kuivina ja puhtaina öljystä ja rasvasta.** Rasvaiset tai öljyiset kahvat ovat liukkaita ja voivat johtaa hallinnan menetykseen.
- Sahaa vain puuta. Älä käytä ketjusahaa työhön, johon sitä ei ole tarkoitettu.** Älä käytä ketjusahaa esimerkiksi muovin, tiilien tai muiden kuin puisten rakennusmateriaalien sahaamiseen. Ketjusahan käyttö tarkoituksiin, joihin sitä ei ole suunniteltu, voi aiheuttaa vaaratilanteita.
- Takapotkun syyt ja ennaltaehkäisevät toimet:** Takapotku voi aiheutua, jos terälevyn kärki koskettaa johonkin tai jos teräketju kiilautuu puun leikkuu-uraan. Jos kärki osuu johonkin, se voi saada terälevyn iskeytymään nopeasti taaksepäin käyttäjää kohti. Jos sahan terälevy kiilautuu puuhun yläreunastaan, se voi ponnahtaa käyttäjää kohti odottamatta. Kumpi tahansa näistä voi johtaa sahan hallinnan menettämiseen, jolloin seurauksena voi olla vakava henkilövahinko. Älä jätä turvallisuutta vain sahan turvalaitteiden varaan. Ketjusahan turvallinen käyttö edellyttää monenlaisia turvatoimia. Takapotku johtuu sahan virheellisestä käytöstä tai epäedullisista käyttöolosuhteista. Takapotku voidaan välttää noudattamalla seuraavia varoituksia:
 - Pitele sahasta kunnolla kiinni. Purista peukalot ja sormet sahan kahvojen ympärille ja seiso sellaisessa asennossa, että voit vastustaa takapotkun voimaa. Takapotkut ovat käyttäjän hallittavissa, kunhan niihin valmistaudutaan asianmukaisesti. Älä irrota otetta sahasta.

► Kuva 1

- Älä kurota tai sahaa olkapäitäsä korkeammalla tasolla. Tämä vähentää todennäköisyyttä, että terälevyn kärki osuu johonkin tahattomasti sekä parantaa sahan hallittavuutta odottamattomissa tilanteissa.
- Käytä vain valmistajan määrittelemiä terälevyjä ja teräketjuja. Vääränlaisten terälevyjen tai ketjujen käyttäminen voi aiheuttaa teräketjun katkeamisen ja/tai takapotkun.
- Teroita ja huolla teräketju valmistajan ohjeiden mukaan. Syvyydensäästöampaiden madaltaminen voi lisätä takapotkujen mahdollisuutta.

13. Ennen työn aloittamista tarkista, että ketjusaha on toimintakunnossa ja turvamääräysten mukainen. Varmista erikseen, että:
- ketjujarru toimii moitteettomasti;
 - pysäytysjarru toimii moitteettomasti;
 - terälevy ja hammaspyörän kotelo ovat paikoillaan;
 - ketju on teroitettu ja kiristetty ohjeiden mukaan.
14. Älä käynnistä ketjusahaa, kun ketjun suojuus on asennettu sahaan. Jos ketjusaha käynnistetään, kun teräketjun suojuus on paikallaan, suojuus voi lennähtää eteenpäin ja aiheuttaa henkilövahinkoja tai aineellisia vahinkoja.

Yläkahvalla varustettua ketjusahaa koskevia turvallisuusvaroituksia

1. Tämä ketjusaha on tarkoitettu erityisesti puiden hoitamiseen ja oksien karsimiseen. Ketjusaha on tarkoitettu vain asianmukaisesti koulutettujen henkilöiden käyttöön. Noudata kaikkia asianmukaisten järjestöjen ja organisaatioiden antamia ohjeita, toimintaohjeita ja suosituksia. Muuten seurauksena voi olla jopa kuolemaan johtava onnettomuus. On suositeltavaa käyttää puiden sahaamiseen nostolavaa (henkilönostinta). Käytettäessä köysien varassa on erityisen vaarallista ja edellyttää erikoiskoulutusta. Käyttäjät on perehdytettävä laitteiden ja kiipeilytekniikoiden turvalliseen käyttöön. Puissa työskennellessä on aina käytettävä asianmukaisia valjaita, köysiä ja karabiinihakoja. Älä koskaan liitä käyttäjää ja sahaa samaan putoamissuojaan.
2. Puhdista ja huolla laite ennen säilytystä käyttöohjeessa kuvatulla tavalla.
3. Varmista, että ketjusaha on autokuljetuksen aikana tukevassa asennossa, jossa se ei voi vaurioitua tai aiheuttaa vammoja ja jossa siitä ei pääse vuotamaan polttoainetta tai teräketjuöljyä.
4. Tarkista ketjujarrun toiminta säännöllisesti.
5. Älä lisää teräketjuöljyä avotulen lähellä. Älä koskaan tupakoi lisätessäsi teräketjuöljyä.
6. Eri maiden kansalliset määräykset voivat sisältää ketjusahan käyttöä koskevia rajoituksia.
7. Jos laitteeseen kohdistuu voimakas isku tai se putoaa, tarkista laitteen kunto ennen työn jatkamista. Tarkista, ettei hallintalaitteissa tai turvallisuusvarusteissa ole vikoja. Jos on syytä epäillä työkalun vaurioituneen, pyydä valtuutettua huoltoliikettä tarkistamaan ja tarvittaessa korjaamaan laite.
8. Älä koskaan kytke ketjujarrua ennen ketjusahan käynnistämistä.
9. Kannattele sahaa tukevasti, jotta se ei liiku sivusuunnassa tai hypähtelee sahausta aloitettaessa.
10. Muista huolehtia tasapainosta sahausken lopussa, kun saha ”putoaa”.
11. Ota huomioon tuulen voimakkuus ja suunta. Vältä sahanpurua ja teräketjuöljysumua.

Suojavarusteet

1. **Pää-, silmä-, käsi-, jalka- ja kuulovammojen ehkäisemiseksi ketjusahan käytön aikana on käytettävä seuraavia suojavälineitä ja suojavaatetusta:**
 - Niiden tulee olla tyköistuvia, mutta ne eivät kuitenkaan saa haitata liikkumista. Älä käytä koruja tai vaatteita, jotka voivat tarttua pensaisiin tai oksiin. Jos tukkasasi on pitkä, käytä aina hiusverkkoa!
 - Ketjusahaa käytettäessä on aina käytettävä suojakypärää. **Suojakypärä** on tarkastettava säännöllisin väliajoin vioittumisen varalta ja vaihdettava viimeistään 5 vuoden kuluttua. Käytä ainoastaan hyväksyttyä suojakypärää.
 - Suojakypärän **kasvosuojaus** (tai suojalasit) suojaa silmiä sahanpuruilta ja puunsiiruilta. Silmät aina suojattava suojalaseilla tai kasvosuojuksella ketjusahan käytön aikana.
 - Käytä asianmukaisia **melusuojaamia** (kuulonsuojajimia, korvatulppia ym.)
 - **Suojatakki** on valmistettu 22-kerroksisesta nailonkankaasta, joka suojaa käyttäjää viiltohaavoilta. Sitä on käytettävä aina työskennellessä nostolavoilla (henkilönostimilla), telineillä tai köysien varassa.
 - **Suojahaalarit** on valmistettu 22-kerroksisesta nailonkankaasta, joka suojaa käyttäjää viiltohaavoilta. Niiden käyttäminen on erittäin suositeltavaa.
 - Paksusta nahasta valmistetut **suojakäsineet** kuuluvat suojavarusteisiin, joita on käytettävä aina ketjusahaa käytettäessä.
 - Ketjusahaa käytettäessä on käytettävä aina karkeapohjaisia **turvakenkiä** tai **turvasaappaita**, joissa on teräksinen kärkivahvike ja säärisuojukset. Erityisellä suojuksella varustetut turvakengät estävät vaurioita ja antavat hyvän pidon. Jos työ edellyttää puihin kiipeämistä, turvajalkineiden on soveltuttava myös kiipeämiseen.

Tärinä

1. Voimakas tärinä voi aiheuttaa heikosta verenkierrasta kärsiville ihmisille verisuoni- tai hermostovammoja. Tärinä voi aiheuttaa seuraavia oireita sormissa, käsissä tai ranteissa: kehonosien puuttuminen, kihelmöinti, kipu, pistely, muutokset ihon värissä tai ihossa. **Jos tällaisia oireita ilmenee, hakeudu lääkärin hoitoon!** Voit pienentää valkosormisuussyndrooman riskiä pitämällä kätesi lämpiminä käytön aikana ja huolehtimalla siitä, että laite ja sen lisävarusteet ovat kunnossa.

SÄILYTÄ NÄMÄ OHJEET.

VAROITUS: ÄLÄ anna työkalun helpokäyttöisyyden (toistuvan käytön aikaansaama) johtaa sinua väärään turvallisuuden tunteeseen niin, että laiminlyöt työkalun turvaohjeiden noudattamisen. **VÄÄRINKÄYTTÖ** tai tässä käyttöohjeessa ilmoitettujen turvamääräysten laiminlyönti voi aiheuttaa vakavia henkilövahinkoja.

Akkupakettia koskevia tärkeitä turvaohjeita

1. Ennen akun käyttöönottoa tutustu kaikkiin laturissa (1), akussa (2) ja akkukäyttöisessä tuotteessa (3) oleviin varoitusteksteihin.
2. Älä pura akkua.
3. Jos akun toiminta-aika lyhenee merkittävästi, lopeta akun käyttö. Seurauksena voi olla ylikuumeneminen, palovammoja tai jopa räjähdys.
4. Jos akkunestettä pääsee silmiin, huuhtele puhtaalla vedellä ja hakeudu välittömästi lääkärin hoitoon. Akkuneste voi aiheuttaa näön menetyksen.
5. Älä oikosulje akkua.
 - (1) Älä koske akun napoihin millään sähköä johtavalla materiaalilla.
 - (2) Vältä akun oikosulkemista äläkä säilytä akkua yhdessä muiden metalliesineiden, kuten naulojen, kolikoiden ja niin edelleen kanssa.
 - (3) Älä aseta akkua alttiiksi vedelle tai sateelle.Oikosulku voi aiheuttaa virtapiikin, ylikuumenemista, palovammoja tai laitteen rikkoontumisen.
6. Älä säilytä työkalua ja akkua paikassa, jossa lämpötila voi nousta 50 °C:een tai sitäkin korkeammaksi.
7. Älä hävitä akkua polttamalla, vaikka se olisi pahoin vaurioitunut tai täysin loppuun kulunut. Avotuli voi aiheuttaa akun räjähtämisen.
8. Varo kolhimasta tai pudottamasta akkua.
9. Älä käytä viallista akkua.

10. Sisältyviä litium-ioni-akkuja koskevat vaarallisten aineiden lainsäädännön vaatimukset. Esimerkiksi kolmansien osapuolten huolintaliikkeen tulee kaupallisissa kuljetuksissa noudattaa pakkaamista ja merkintöjä koskevia erityisvaatimuksia. Lähetettävän tuotteen valmistelu edellyttää vaarallisten aineiden asiantuntijan neuvontaa. Huomioi myös mahdollisesti yksityiskohtaisemmat kansalliset määräykset. Akun avoimet liittimet tulee suojata teipillä tai suojuksella ja pakkaaminen tulee tehdä niin, ettei akku voi liikkua pakkauksessa.
11. Hävitä akku paikallisten määräysten mukaisesti.
12. Käytä akkuja vain Makitan ilmoittamien tuotteiden kanssa. Akkujen asentaminen yhteensopimattomiin tuotteisiin voi aiheuttaa tulipalon, liiallisen ylikuumenemisen, räjähdysriskin tai akkunestevuotoja.

SÄILYTÄ NÄMÄ OHJEET.

⚠HUOMIO: Käytä vain alkuperäisiä Makita-akkuja. Muiden kuin aitojen Makita-akkujen, tai mahdollisesti muutettujen akkujen käyttö voi johtaa akun murtumiseen ja aiheuttaa tulipaloja, henkilö- ja omaisuusvahinkoja. Se mitätöi myös Makita työkalun ja -laturin Makita-takuun.

Vihjeitä akun käyttöön pidentämiseksi

1. Lataa akku ennen kuin se purkautuu täysin. Lopeta aina työkalun käyttö ja lataa akku, jos huomaat työkalun tehon vähenevän.
2. Älä koskaan lataa uudestaan täysin ladattua akkua. Ylilataaminen lyhentää akun käyttöikää.
3. Lataa akku huoneen lämpötilassa välillä 10 °C - 40 °C. Anna kuuman akun jäähtyä ennen lataamista.
4. Lataa akkupaketti, jos et käytä sitä pitkään aikaan (yli kuusi kuukautta).

OSIEN KUVAUS

► Kuva2

1	Liipaisinkytkin	2	Yläkahva	3	Lukitusvipu
4	Etukäsisuoja	5	Terälevy	6	Teräketju
7	Ketjusieppo	8	Vastamutteri	9	Ketjun säätöruuvi
10	Lastuohjain	11	Akkupaketti	12	Päävirran merkkivalo
13	Päävirtakytkin	14	Säätöruuvi (öljypumpulle)	15	Karabiinihaka
16	Etukahva	17	Öljysäiliön korkki	18	Terälevyn suojus

TOIMINTOJEN KUVAUS

⚠️HUOMIO: Varmista aina ennen säätöjä ja tarkastuksia, että työkalu on sammutettu ja akkupaketti irrotettu.

Akun asentaminen tai irrottaminen

⚠️HUOMIO: Sammuta työkalu aina ennen akun kiinnittämistä tai irrottamista.

⚠️HUOMIO: Pidä työkalusta ja akusta tiukasti kiinni, kun irrotat tai kiinnität akkua. Jos akkupaketti tai työkalu putoaa, ne voivat vaurioitua tai aiheuttaa tapaturman.

- **Kuva3:** 1. Punainen merkkivalo 2. Painike 3. Akkupaketti

Irrota akku painamalla akun etupuolella olevaa painiketta ja vetämällä akku ulos työkalusta.

Akku liitetään sovittamalla akun kieleke rungon uraan ja työntämällä se sitten paikoilleen. Työnnä akku pohjaan asti niin, että kuulet sen napsahtavan paikoilleen. Jos painikkeen yläpuolella näkyy punainen ilmaisin, akku ei ole lukkiutunut täysin paikoilleen.

⚠️HUOMIO: Työnnä akku aina pohjaan asti, niin että punainen ilmaisin ei enää näy. Jos akku ei ole kunnolla paikallaan, se voi pudota työkalusta ja aiheuttaa vammoja joko sinulle tai sivullisille.

























⚠️HUOMIO: Älä käytä voimaa akun asennuksessa. Jos akku ei lii'u paikalleen helposti, se on väärässä asennossa.

Akun jäljellä olevan varaustason ilmaisin

Vain akkupaketeille ilmaisimella

- **Kuva4:** 1. Merkkivalot 2. Tarkistuspainike

Painamalla tarkistuspainiketta saat näkyviin akun jäljellä olevan varausten. Merkkivalot palavat muutaman sekunnin ajan.

Merkkivalot			Akussa jäljellä olevan varaus
 Palaa	 Pois päältä	 Viilkuu	
			75% - 100%
			50% - 75%
			25% - 50%
			0% - 25%
			Lataa akku.
			Akussa on saattanut olla toimintahäiriö.
			

HUOMAA: Ilmoitettu varaustaso voi erota hieman todellisesta varaustasosta sen mukaan, millaisissa oloissa ja missä lämpötilassa laitetta käytetään.

Työkalun/akun suojausjärjestelmä

Työkalu on varustettu työkalu/akun suojausjärjestelmällä. Tämä järjestelmä pidentää työkalun ja akun käyttöikää katkaisemalla automaattisesti moottorin virran. Työkalu pysähtyy automaattisesti kesken käytön, jos työkalussa tai akussa ilmenee jokin seuraavista tilanteista:

Ylikuormitussuoja

Kun akkua käytetään tavalla, joka saa sen kuluttamaan epätavallisen suuren määrän virtaa, työkalu pysähtyy automaattisesti ja päävirran merkkivalo alkaa vilkkua vihreänä. Katkaise tässä tilanteessa laitteesta virta ja lopeta ylikuormitustilan aiheuttanut käyttö. Käynnistä sitten laite uudelleen kytkemällä siihen virta.

Ylikuumenemissuoja

Työkalun ylikuumentessa se pysähtyy automaattisesti ja päävirran merkkivalo alkaa vilkkua punaisena. Anna silloin laitteen tai akun jäähtyä, ennen kuin kytket laitteen uudelleen virran.

HUOMAA: Jos lämpötila on korkea, ylikuumenemissuoja kytketty päälle ja työkalu pysähtyy automaattisesti.

Ylipurkautumissuoja

Jos akkukapasiteetti ei riitä, työkalu pysähtyy automaattisesti ja päävirran merkkivalo alkaa vilkkua punaisena. Irrota tässä tapauksessa akku laitteesta ja lataa se.

Päävirtakytkin

⚠️VAROITUS: Kytke aina päävirtakytkin pois päältä, kun työkalua ei käytetä.

Työkalun voi kytkeä päälle painamalla päävirtakytkintä, kunnes päävirran merkkivalo syttyy. Sammuta painamalla päävirtakytkintä uudelleen.

- **Kuva5:** 1. Päävirran merkkivalo 2. Päävirtakytkin

HUOMAA: Päävirran merkkivalo vilkkuu vihreänä, jos kytkinliipaisinta painetaan käyttämättömässä tilassa. Merkkivalo vilkkuu seuraavissa tilanteissa.

- Kun kytket päävirtakytkimen päälle pitämällä samalla lukkovicupia ja kytkinliipaisinta painettuna.
- Kun painat liipaisinkytkintä, kun ketjujarrua käytetään.
- Kun vapautat ketjujarrun pitämällä samalla lukkovicupia ja kytkinliipaisinta painettuna.

HUOMAA: Tämä ketjusaha sisältää automaattisen sammutustoiminnon. Tahattoman käynnistyksen välttämiseksi, sammuu päävirtakytkin automaattisesti, kun liipaisinkytkintä ei paineta tietyn ajan kuluessa, kun päävirtakytkin on kytketty päälle.

Voit käyttää työkalua vääntömomentin tehostustilassa, jos leikkaat paksuja tai kovia oksia. Voit aloittaa työkalun käytön vääntömomentin tehostustilassa, kun virta on sammutettuna. Paina päävirtakytkintä muutama sekunti, kunnes päävirran merkkivalo palaa keltaisena.

HUOMAA: Voit käyttää työkalua vääntömomentin tehostustilassa enintään 30 sekuntia. Käyttöolosuhteista riippuen tämä tila vaihdetaan normaaliin tilaan viimeistään 30 sekunnin kuluttua.

HUOMAA: Jos päävirran merkkivalo vilkkuu keltaisena, kun painat päävirtakytkintä muutaman sekunnin ajan, vääntömomentin tehostustila ei ole käytettävissä. Toimi tässä tilanteessa alla olevien ohjeiden mukaan.

- Vääntömomentin tehostustila ei ole käytettävissä heti leikkauksen jälkeen. Odota vähintään 10 sekuntia ja paina sitten päävirtakytkintä uudelleen.
- Jos käytät vääntömomentin tehostustilaa useita kertoja, sen käyttöä rajoitetaan akun suojaamiseksi. Jos vääntömomentin tehostustila ei ole käytettävissä vähintään 10 sekunnin odottamisen jälkeen, vaihda akkupaketti ladattuun tai lataa akkupaketti.

HUOMAA: Jos päävirran merkkivalo palaa punaisena tai vilkkuu punaisena tai vihreänä, lue työkalun/akun suojausjärjestelmää koskevat ohjeet.

HUOMAA: Vääntömomentin tehostustilaa ei voi käyttää, jos asennettu akkupaketti on BL1815N, BL1820 tai BL1820B.

Kytkimen käyttäminen

VAROITUS: Käyttäjän turvallisuuden vuoksi työkalussa on lukitusvipu, joka estää sen käynnistämisen vahingossa. ÄLÄ koskaan käytä työkalua, jos se käynnistyy pelkästään liipaisinkytkintä painamalla ilman, että lukitusvipua painetaan. Toimita työkalu valtuutettuun huoltoon korjattavaksi ENNEN kuin jatkat käyttöä.

VAROITUS: ÄLÄ koskaan teippaa tai ohita lukitusvipua.

HUOMIO: Tarkista aina ennen akkupaketin asettamista työkaluun, että liipaisinkytkin kytkeytyy oikein ja palaa "OFF"-asentoon, kun se vapautetaan.

HUOMAUTUS: Älä vedä liipaisinkytkimestä voimakkaasti, ellei samalla paina lukituksen vapautusvivusta. Kytkin voi rikkoutua.

Laitteessa on lukitusvipu, joka estää liipaisinkytkimen painamisen vahingossa. Käynnistä laite painamalla lukituspainike sisään ja vetämällä liipaisinkytkimestä. Mitä voimakkaammin liipaisinkytkintä painetaan, sitä nopeammin terä pyörii. Sammuta vapauttamalla liipaisinkytkin.

► **Kuva6:** 1. Liipaisinkytkin 2. Lukitusvipu

Ketjujarrun toiminnan tarkistus

HUOMIO: Pidä sahaa molemmiin käsiin, kun käynnistät sen. Tartu yläkahvaan oikealla kädellä ja etukahvaan vasemmallalla. Terälevy ja ketju eivät saa koskettaa mihinkään.

HUOMIO: Jos saha ei testatessa heti pysähdy, sitä ei saa missään tapauksessa käyttää. Ota yhteys valtuutettuun huoltoliikkeeseen.

1. Paina lukituksen vapautuspainiketta ja sitten liipaisinkytkintä. Saha käynnistyy heti.
 2. Paina etukäsisuojusta eteenpäin kämmenselällä. Varmista, että saha pysähtyy heti.
- **Kuva7:** 1. Etukäsisuoja 2. Avattu asento 3. Lukittu asento

Pysäytysjarrun toiminnon tarkastaminen

HUOMIO: Jos saha ei testatessa heti pysähdy kahden sekunnin kuluessa, lopeta sahan käyttö ja ota yhteys valtuutettuun huoltoliikkeeseen.

Käytä sahaa ja vapauta sitten liipaisinkytkin kokonaan. Sahan pitäisi pysähtyä kahdessa sekunnissa.

Ketjun voitelun säätö

Öljypumpun syöttönopeutta voi säätää säätöruuvien avulla yleisavaimella. Öljyn määrää voi säätää 3 toimenpiteellä.

► **Kuva8:** 1. Säätöruuvi

Karabiinihaka (köyden kiinnike)

Voit ripustaa työkalun kiinnittämällä köyden karabiinihakaan. Vedä karabiinihaka ylös ja sido se sitten paikalleen köydellä.

Sähköinen toiminta

Laitte on varustettu sähköisillä toiminnoilla helppokäyttöisyyttä ajatellen.

- Pehmeä käynnistys
Pehmeä käynnistys -toiminto minimoi käynnistysiskun ja näin laite käynnistyy tasaisesti.

KOKOONPANO

HUOMIO: Varmista aina ennen mitään työkalulle tehtäviä toimenpiteitä, että se on sammutettu ja akku irrotettu.

HUOMIO: Älä koske teräketjuun paljain käsin. Käytä aina suojakäsineitä, kun käsittelet terää.

Ketjun irrotus ja kiinnitys

⚠️HUOMIO: Teräketju ja terälevy ovat käytön jälkeen kuumia. Anna niiden jäähtyä riittävästi, ennen kuin teet työkalulle mitään huoltotoimenpiteitä.

⚠️HUOMIO: Kiinnitä ja irrota ketju puhtaassa tilassa, jossa ei ole sahanpurua tms.

Irrota ketju toimimalla seuraavasti:

1. Vapauta ketjujarru vetämällä etukäsisuojavaa.
2. Löysää ketjun säätöruuvia ja sitten vastamutteria.
▶ **Kuva9:** 1. Ketjun säätöruuvi 2. Vastamutteri
3. Irrota hammaspyörän kotelo, sitten teräketju ja terälevy ketjusahan rungosta.

Kiinnitä ketju toimimalla seuraavasti:

1. Tarkista teräketjun suunta. Täsmäytä teräketjun suunta ketjusahan rungossa olevaan merkkiin.
2. Aseta teräketju toinen pää terälevylle.
3. Aseta teräketjun toinen pää hammaspyörän ympärille ja kiinnitä terälevy sitten ketjusahan runkoon ja kohdista terälevyn reikä ketjusahan rungossa olevaan tappiin.
▶ **Kuva10:** 1. Hammaspyörä 2. Reikä
4. Aseta hammaspyörän kotelon ulkonema ketjusahan runkoon ja sulje kotelo sitten niin, että ketjusahan rungossa olevat pulitit ja tapit ovat kohdillaan kotelon kanssa.
▶ **Kuva11:** 1. Ulkonema 2. Hammaspyörän kotelo 3. Pulitti 4. Tappi
5. Kiinnitä hammaspyörän kotelo kiristämällä vastamutteria ja säädä kireyttä löysäämällä sitä hieman.
▶ **Kuva12:** 1. Vastamutteri

Ketjunkiireyden säätö

⚠️HUOMIO: Älä kiristä ketjua liikaa. Jos ketju on liian kireällä, se voi katketa, kuluttaa terälevyä ja rikkoa säätölevyn.

⚠️HUOMIO: Jos ketju on liian löysällä, se voi hypätä pois terälevystä ja aiheuttaa siten vaaratilanteen.

Ketju voi löystyä usean tunnin käytön jälkeen. Tarkista ketjun kireys ennen käyttöä.

1. Vapauta ketjujarru vetämällä etukäsisuojavaa.
2. Löysää hammaspyörän koteloa hieman löysäämällä vastamutteria.
▶ **Kuva13:** 1. Vastamutteri
3. Nosta terälevyn kärkeä hieman ja säädä ketjun kireys. Ketjun säätöruuvia voi kiristää kääntämällä sitä myötäpäivään ja löysätä kääntämällä sitä vastapäivään.

Ketjuterätyypit 90PX ja 91PX:

Kiristä teräketjua, kunnes teräketjun alaosa osuu terälevyn uraan kuvaan mukaan.

- ▶ **Kuva14:** 1. Terälevy 2. Teräketju 3. Ketjun säätöruuvi

Ketjuterätyyppi 25AP:

Kiristä teräketjua niin, että terälevyn alapuolen keskikohdan ja teräketjun välinen rako on noin 1 mm – 2 mm.

4. Kannattele terälevyä kevyesti ja kiristä ketjupyörän kotelo.

Ketjuterätyypit 90PX ja 91PX:

Varmista, ettei teräketju löysty terälevyn alapuolella.

Ketjuterätyyppi 25AP:

Varmista, että terälevyn alapuolen keskikohdan ja teräketjun välinen rako on noin 1 mm – 2 mm.

5. Kiinnitä hammaspyörän kotelo paikalleen kiristämällä vastamutteria.

- ▶ **Kuva15:** 1. Vastamutteri

Varmista, että teräketju on terälevyn alareunaan vasten.

Kaarnapiikki

Lisävaruste

Paksuja oksia leikattaessa kannattaa käyttää kaarnapiikkiä. Asenna kaarnapiikki seuraavien ohjeiden mukaisesti:

1. Poista hammaspyörän kotelo, teräketju ja terälevy.
2. Kohdista kaarnapiikin reiät ketjusahan rungossa oleviin reikiin ja kiristä ruuvit sitten tiukasti.
▶ **Kuva16:** 1. Ruuvi 2. Kaarnapiikki

TYÖSKENTELY

Voitelu

Teräketju voidaan automaattisesti, kun sahaa käyte-tään. Tarkista öljysäiliössä jäljellä olevan öljyn määrä säännöllisesti öljymäärän tarkistusikkunasta.

Täytä säiliö asettamalla ketjusaha kyljelleen ja irrota öljysäiliön korkki. Sopiva öljymäärä on 140 ml. Kun säiliö on täytetty varmista, että öljysäiliön korkki kiinnitetään kunnolla.

- ▶ **Kuva17:** 1. Öljysäiliön korkki 2. Öljymäärän tarkistusikkuna

Pidä saha erossa puusta täytön jälkeen. Käynnistä saha ja odota, että voitelu alkaa toimia kunnolla.

- ▶ **Kuva18**

HUOMAUTUS: Kun täytät sahan öljysäiliötä ensimmäistä kertaa tai kun lisäät öljyä täysin tyhjeneeseen säiliöön, lisää öljyä täyttökaulan alareunaan asti. Muutoin öljyn syötössä voi esiintyä häiriöitä.

HUOMAUTUS: Käytä Makita-teräketjuöljyjä tai muita vastaavia myynnissä olevia teräketjuöljyjä.

HUOMAUTUS: Älä käytä öljyä, jossa on likaa tai roskia tai haihtuvia öljyjä.

HUOMAUTUS: Käytä puiden oksia karsiessasi kasviöljyä. Mineraaliöljyt voivat vahingoittaa puita.

HUOMAUTUS: Varmista, että öljysäiliön korkki on paikallaan, ennen kuin aloitat sahaamisen.

KETJUSAHAN KÄYTTÖ

▲HUOMIO: Henkilön, joka ei ole aikaisemmin käyttänyt moottorisahaa, on hyödyllistä harjoitella sahan käyttöä ensin sahaamalla puuta sahapukissa tai muussa telineessä.

▲HUOMIO: Sahatavaraa sahattaessa on käytävä asianmukaista tukea (sahapukkia tai muuta telinettä). Älä pidä sahattavaa kappaletta paikallaan jalallasi äläkä anna kenenkään muun pitää sitä paikallaan.

▲HUOMIO: Estä pyöreiden kappaleiden pyöriminen.

▲HUOMIO: Pidä kaikki rungon osat loitolla ketjusta moottorin ollessa käynnissä.

▲HUOMIO: Pidä sahaa hyvin molemmin käsin kun se on käynnissä.

▲HUOMIO: Älä kurkota. Seiso tukevassa asennossa ja säilytä tasapainosi.

HUOMAUTUS: Älä koskaan heitä tai pudota työkalua.

HUOMAUTUS: Älä peitä työkalun ilmanvaihtaukkoja.

Puiden karsinta

Paina ketjusahan runko katkaistavaa oksaa vasten ennen virran kytkemistä. Muutoin terälevy saattaa heilua, mikä voi aiheuttaa vamman käyttäjälle. Sahaa puu liikuttamalla sahaa alaspäin sen oman painon voimasta.
► Kuva19

Jos et pysty leikkaamaan puuta täysin läpi yhdellä vetäisyllä:
Paina kahvaa kevyesti ja jatka sahaamista ja vedä sahaa taaksepäin hieman.
► Kuva20

Kun leikkaat paksuja oksia, tee ensin pintapuolinen lovi alaosaan ja tee loppuun leikkaamalla ylhäältäpäin.
► Kuva21

Jos yrität leikata paksuja oksia alhaalta päin, oksa saattaa sulkeutua ja puristaa sahan loveen. Jos yrität leikata paksuja oksia ylhäältä päin ilman että teet pintapuolista lovea alhaalta päin, oksa saattaa haljeta.
► Kuva22

Katkaisu

1. Paina ketjusahan runko katkaistavaa oksaa vasten.
► Kuva23
2. Kun ketju pyörii, ala sahata puuta niin, että nostat sahaa yläkahvasta ja ohjaat etukahvasta.
3. Jatka sahaamista lisäämällä hieman painetta yläkahvaan ja kääntämällä sahaa hieman taakse.

HUOMAUTUS: Jos katkaiset puun useammasta kohtaa, sammuta saha katkaisukohtien välillä.

▲HUOMIO: Jos terälevyn yläreunaa käytetään katkaisuun, saha voi ponnahtaa käyttäjää kohti, jos se juuttuu. Käytä siksi katkaisuun terälevyn alareunaa, jolloin saha vetää aina käyttäjstä poispiän.

► Kuva24

Sahaa jännityksen alaista puuta ensin siltä puolelta, johon puristus kohdistuu (A). Tee sitten lopullinen katkos vetojännityksen alaisella puolella (B). Näin terälevy ei juutu kiinni.
► Kuva25

Karsinta

▲HUOMIO: Oksien karsintaa saa tehdä vain käyttökoulutuksen saanut henkilö. Vaarana on sahan takapotku.

Oksia karsittaessa saha on mahdollisuuksien mukaan tuettava runkoon. Älä käytä terälevyn kärkeä, ettei saha pääse potkaisemaan. Kiinnitä erityistä huomioita jännityksen alaisiin oksiin. Älä katkaise ilman tukea olevia oksia alapuolelta. Älä seiso kaadetun rungon päälle oksia karsiessasi.

Koneen kantaminen

Ennen työkalun kantamista, kytke ketjujarru ja irrota akkupaketit työkalusta. Kiinnitä sitten terälevyn suojia. Peitä myös akku sen kannella.
► Kuva26: 1. Terälevyn suojus 2. Akun suojus

KUNNOSSAPITO

▲HUOMIO: Varmista aina ennen tarkastusta tai huoltoa, että työkalu on sammutettu ja akku irrotettu.

▲HUOMIO: Käytä aina suojakäsineitä, kun tarkastat laitetta tai teet huoltotyötä.

HUOMAUTUS: Älä koskaan käytä bensiiniä, ohenteita, alkoholia tai tms. aineita. Muutoin pinta voi halkeilla tai sen värit ja muoto voivat muuttua. Muutoin laitteeseen voi tulla värjäytyksiä, muodon vääristymiä tai halkeamia.

Tuotteen TURVALLISUUDEN ja LUOTETTAVUUDEN takaamiseksi korjaukset, muut huoltotyöt ja säädöt on teetettävä Makitan valtuutetussa huoltopisteessä Makitan varaosia käyttäen.

Ketjun teroitus

Teroitu ketju, kun:

- Kosteaa puuta sahattaessa syntyy jauhomaista sahajauhoa;
- Ketju tunkeutuu puuhun heikosti, vaikka sahaa painettaisiin voimakkaasti;
- Leikkuureuna on selvästi vaurioitunut;
- Saha vetää puussa vasemmalle tai oikealle. (tähän on syynä ketjun epätasainen teroitus tai toisen puolen vaurioituminen)

Teroita ketju säännöllisesti, mutta poista vain vähän materiaalia kerrallaan. Kaksi tai kolme viilan vetoa tavallisesti riittää tavanomaisessa teroituksessa. Kun olet teroittanut ketjun useaan kertaan, teroituta se valtuutetussa huoltoliikkeessä.

Teroituskriteerit:

VAROITUS: Suuri etäisyys leikkausterän ja syvydensäätöhampaan välillä lisää takapotkun vaaraa.

► **Kuva27:** 1. Leikkauspituus 2. Etäisyys leikkausterän ja syvydensäätöhampaan välillä 3. Minimileikkauspituus (3 mm)

- Kaikkien hampaiden täytyy olla yhtä pitkiä. Eripituiset hampaat estävät ketjuja pyörimästä tasaisesti ja voivat aiheuttaa ketjun katkeamisen.
- Älä teroita ketjuja, kun hampaan pituus on 3 mm tai lyhyempi. Ketju on vaihdettava uuteen.
- Lastun paksuuden määrää syvydensäätöhampaan (pyöreä kärki) ja leikkuureunan välinen etäisyys.
- Paras sahaustulos saadaan, kun leikkuuterän ja syvydensäätöhampaan välinen etäisyys on seuraava.
 - Ketjuterä 90PX : 0,65 mm
 - Ketjuterä 91PX : 0,65 mm
 - Ketjuterä 25AP : 0,65 mm

► **Kuva28**

- Kaikkien hampaiden teroituskulman täytyy olla 30 astetta. Kulmapoikkeamat saavat ketjun pyörimään epätasaisesti, lisäävät kulumista ja aiheuttavat ketjujen katkeamisen.
- Käytä sopivaa pyöreää viilaa, jotta oikea teroituskulma pidetään hampaassa.
 - Ketjuterä 90PX : 55°:ssa
 - Ketjuterä 91PX : 55°:ssa
 - Ketjuterä 25AP : 55°:ssa

Viila ja viilan opaste

- Käytä ketjun teroitukseen pyöreää erikoisviilaa (lisävaruste). Tavanomaiset pyöreät viilat eivät sovi tähän tarkoitukseen.
- Pyöreän viilan läpimitat kullekin ketjulle ovat seuraavat:
 - Ketjuterä 90PX : 4,5 mm
 - Ketjuterä 91PX : 4,0 mm
 - Ketjuterä 25AP : 4,0 mm
- Viila saa ottaa hampaaseen vain eteenpäin suuntautuvalla vedolla. Nosta viila irti hampaasta paluuviedolla.
- Teroita lyhyin hammas ensimmäiseksi. Tämän hampaan pituutta käytetään sitten ketjun muiden hampaiden mittana.
- Ohjaa viilaa kuvan osoittamalla tavalla.

► **Kuva29:** 1. Viila 2. Teräketju

- Viilan ohjaaminen helpottuu, jos käytetään viilaohjainta (lisävaruste). Oikea 30° teroituskulma on merkitty viilaohjaimen (kohdista merkinnät niin, että ne ovat yksisuuntaisia teräketjun kanssa). Ohjain rajoittaa myös tunkeumasyyvyden oikeaksi (4/5 viilan halkaisijasta).

► **Kuva30:** 1. Viilan pidike

- Teroituksen jälkeen tarkista syvydensäätöhampaan korkeus ketjunmittaustyökälulla (lisävaruste).

► **Kuva31**

- Poista kaikki, myös aivan vähäinen ulkoneva aines erikoislattaviilalla (lisävaruste).
- Pyöristä syvydensäätöhampaan etuosa uudelleen.

Terälevyn puhdistus

Lastut ja sahanpuru kerääntyvät terälevyuraan. Ne tukkivat sen ja heikentävät öljyn virtauksen. Puhdista saha aina lastuista ja sahanpuruista sahan teroituksen tai ketjunvaihdon yhteydessä.

► **Kuva32**

Hammaspyörän kotelon puhdistaminen

Lastut ja sahanpuru kerääntyvät hammaspyörän koteloon. Irrota hammaspyörän kotelo ja teräketju työkalusta ja poista lastut ja sahanpuru.

► **Kuva33**

Öljynpäästöaukon puhdistus

Öljynpäästöaukkoon saattaa kerääntyä käytön aikana hienojakoista pölyä tai muita hiukkasia. Öljysuodattimessa kerääntynyt vähäinen pöly tai muut hiukkaset saattavat heikentää päästövirtaa ja aiheuttaa sahalle riittämättömän voitelun. Jos terälevyn kärkeen ei tule riittävästi öljyä, puhdista öljynpäästöaukko seuraavasti.

1. Poista hammaspyörän kotelo ja ketju työkalusta.
2. Poista hienojakoinen pöly tai hiukkaset ohutvartisella tasapääruuvitalta tai vastaavalla.

► **Kuva34:** 1. Ristipääruuvitalta 2. Öljynpoistoaukko

3. Kiinnitä akkupaketti ketjusahaan. Vedä liipaisin-kytkimestä, jotta kerääntynyt pöly tai muut hiukkaset voisivat virrata pois öljynpäästöaukosta ketjuöljyn vapauttaen.
4. Irrota akkupaketti työkalusta. Asenna uudelleen hammaspyörän kotelo ja ketju työkaluun.

Hammaspyörän vaihtaminen

HUOMIO: Kulunut hammaspyörä vahingoittaa uutta teräketjuja. Tässä tapauksessa vaihda kulunut hammaspyörä.

Ennen uuden ketjun kiinnitystä tarkista hammaspyörän kunto.

► **Kuva35:** 1. Hammaspyörä 2. Kuluvat alueet

Vaihda myös lukitusrengas hammaspyörän vaihdon yhteydessä.

► **Kuva36:** 1. Lukitusrengas 2. Hammaspyörä

HUOMAUTUS: Varmista, että hammaspyörä asennetaan kuvan esittämällä tavalla.

Työkalun säilyttäminen

1. Puhdista ketjusaha ennen säilytystä. Poista kaikki lastut ja sahanpurut ketjusahasta hammaspyörän suojuksen poistamisen jälkeen.
2. Kun olet puhdistanut sahan, käytä sitä ilman kuormaa, jotta öljy levittyy terälevyyn ja ketjuun.
3. Aseta terälevyn suojus paikalleen terälevyn päälle.
4. Tyhjennä öljysäiliö.

Määräaikaishuolto

Tekemällä seuraavat huoltotoimenpiteet säännöllisesti voit varmistaa pitkän käyttöiän, ehkäistä vikoja ja varmistaa turvalaitteiden moitteettoman toiminnan. Takuu edellyttää, että huollot tehdään säännöllisesti ja ohjeiden mukaan. Huollon laiminlyönti voi aiheuttaa tapaturmavaaran! Ketjusahan käyttäjä ei saa tehdä muita kuin tässä oppaassa kuvattuja huoltotyöitä. Kaikki tällaiset huoltotyöt on teetettävä valtuutetussa huoltoliikkeessä.

Tarkistettava kohde / käyttöaika		Ennen käyttöä	Päivittäin	Kerran viikossa	3 kuukauden välein	Kerran vuodessa	Ennen varastointia
Ketjusaha	Tarkastus.	✓	-	-	-	-	-
	Puhdistus.	-	✓	-	-	-	-
	Ota yhteys valtuutettuun huoltoliikkeeseen.	-	-	-	-	✓	✓
Teräketju	Tarkastus.	✓	-	-	-	-	-
	Teroita tarvittaessa.	-	-	-	-	-	✓
Terälevy	Tarkastus.	✓	✓	-	-	-	-
	Irrota ketjusahasta.	-	-	-	-	-	✓
Ketjujarru	Tarkista toiminta.	✓	-	-	-	-	-
	Tarkistuta se säännöllisesti valtuutetussa huoltoliikkeessä.	-	-	-	✓	-	-
Ketjun voitelu	Tarkista öljynsyöttömäärä.	✓	-	-	-	-	-
Liipaisinkytkin	Tarkastus.	✓	-	-	-	-	-
Lukitusvipu	Tarkastus.	✓	-	-	-	-	-
Öljysäiliön korkki	Tarkista kireys.	✓	-	-	-	-	-
Ketjusieppo	Tarkastus.	-	-	✓	-	-	-
Ruuvit ja mutterit	Tarkastus.	-	-	✓	-	-	-

VIANMÄÄRITYS

Tarkista laite ensin itse, ennen kuin viet sen korjattavaksi. Jos ongelmaan ei löydy ratkaisua käyttöoppaasta, älä kuitenkaan yritä purkaa työkalua osiin. Vie ota sen sijaan yhteyttä Makita-huoltoliikkeeseen. Käytä korjaamiseen aina alkuperäisiä Makita-varaosia.

Toimintahäiriö	Syy	Toimenpide
Ketjusaha ei käynnisty.	Akkupakettia ei ole asennettu.	Asenna ladattu akkupaketti paikalleen.
	Akkuongelma (alijännite).	Lataa akkupaketit. Jos lataaminen ei toimi tehokkaasti, vaihda akkupakettia.
	Päävirtakytkin pois päältä.	Ketjusaha sammuu automaattisesti, jos sitä ei käytetä tietyn ajan kuluessa. Kytke päävirtakytkin päälle uudelleen.
Saha ei toimi.	Ketjujarru kytketty.	Vapauta ketjujarru.
Moottori pysähtyy lyhyen käytön jälkeen.	Akun varaustila on alhainen.	Lataa akkupaketit. Jos lataaminen ei toimi tehokkaasti, vaihda akkupakettia.
Ketjussa ei ole öljyä.	Öljysäiliö tyhjä.	Täytä öljysäiliö.
	Öljyn syöttöura on likainen.	Puhdista ura.
	Heikko öljynsyöttö.	Säädä öljynsyöttöä säätöruuvilla.
Ketjusaha ei saavuta suurinta kierroslukua.	Akkupaketti on asennettu väärin.	Asenna akkupaketit tämän käyttöohjeen ohjeiden mukaan.
	Akun teho laskee.	Lataa akkupaketti. Jos lataaminen ei toimi tehokkaasti, vaihda akkupakettia.
	Vetojärjestelmä ei toimi oikein.	Pyydä valtuutettua paikallista huoltoliikettä korjaamaan laite.
Päävirran merkivalo vilkkuu vihreänä.	Liipaisinkytkintä painettu käyttämättömässä tilassa.	Paina liipaisinkytkintä kun päävirtakytkin on kytketty päälle ja ketjujarru vapautettu.
Ketju ei pysähdy vaikka ketjujarru aktivoituu: Pysäytä kone välittömästi!	Jarrunauha on kulunut.	Pyydä valtuutettua paikallista huoltoliikettä korjaamaan laite.
Epänormaali tärinä: Pysäytä kone välittömästi!	Löysää terälevyä tai teräketjua.	Säädä terälevyä ja teräketjun kireyttä.
	Työkalun toimintahäiriö.	Pyydä valtuutettua paikallista huoltoliikettä korjaamaan laite.
Vääntömomentin tehostustilaa ei voi käyttää, kun akkupaketti on vaihdettu täyteen ladattuun akkupakettiin.	Vääntömomentin tehostustila ei ole välttämättä käytettävissä akkupaketin vaihdon jälkeen käyttöolosuhteista riippuen.	Käytä työkalua normaalissa tilassa, kunnes asennettu akkupaketti tyhjenee. Vaihda akkupaketti sitten täyteen ladattuun tai lataa akkupaketti.

LISÄVARUSTEET

⚠️HUOMIO: Seuraavia lisävarusteita tai laitteita suositellaan käytettäväksi tässä ohjeessa kuvatun Makita-työkalun kanssa. Muiden lisävarusteiden tai laitteiden käyttö voi aiheuttaa henkilövahinkoja. Käytä lisävarusteita ja -laitteita vain niiden käyttötarkoituksen mukaisesti.

Jos tarvitset apua tai yksityiskohtaisempia tietoja seuraavista lisävarusteista, ota yhteys paikalliseen Makitan huoltoon.

- Teräketju
- Terälevy
- Terälevyn suojus
- Hammaspyörä
- Kaarnapiikki
- Viila
- Työkalulaukku
- Aito Makita-akku ja -laturi

⚠️VAROITUS: Jos ostat muunpituisen kuin vakioterälevyn, osta myös siihen sopiva terälevyn suoja. Sen on sovittava terälevyyn ja peitettävä se kokonaan.

HUOMAA: Jotkin luettelossa mainitut varusteet voivat sisältyä työkalun toimitukseen vakiovarusteina. Ne voivat vaihdella maittain.

SPECIFIKĀCIJAS

Modelis:		DUC204	DUC254	DUC254C
Kopējais garums (bez vadslīdes)		256 mm		
Nominālais spriegums		Līdzstrāva 18 V		
Neto svars		2,8–3,3 kg		
Standarta vadslīdes garums		200 mm	250 mm	
Ieteicamais vadslīdes garums	ar 90PX	200–250 mm		-
	ar 91PX	-	250 mm	-
	ar 25AP	-		250 mm
Piemērotais zāģa ķēdes veids (skatiet tabulu tālāk)		90PX	90PX 91PX	25AP
Standarta ķēdesrats	Zobu skaits	6		9
	Solis	3/8"		1/4"
Ķēdes griešanās ātrums		0–24 m/s (0–1 440 m/min)		0–22,5 m/s (0–1 350 m/min)
Ķēdes eļļas tvertnes tilpums		140 cm ³		

- Nepārtrauktās izpētes un izstrādes programmas dēļ šeit uzrādītās specifikācijas var tikt mainītas bez brīdinājuma.
- Specifikācijas dažādās valstīs var atšķirties.
- Svars var būt atšķirīgs atkarībā no papildierīces(-ēm), tostarp akumulatora kasetnes. Tabulā ir attēlota vieglākā un smagākā kombinācija atbilstoši EPTA procedūrai 01/2014.

Piemērotā akumulatora kasetne

BL1815N / BL1820 / BL1820B / BL1830 / BL1830B / BL1840 / BL1840B / BL1850 / BL1850B / BL1860B

- Dažas no iepriekš norādītajām akumulatora kasetnēm var nebūt pieejamas atkarībā no jūsu mītnes reģiona.

BRĪDINĀJUMS: Izmantojiet vienīgi iepriekš norādītās akumulatora kasetnes. Cita tipa akumulatora kasetņu izmantošana var radīt traumu un/vai aizdegšanās risku.

Zāģa ķēdes, vadslīdes un ķēdesrata kombinācija

Zāģa ķēdes veids		90PX	
Dzinējposmu skaits		33	40
Virzošā slīde	Virzošās slīdes garums	200 mm	250 mm
	Zāģējuma garums	180 mm	244 mm
	Solis	3/8"	
	Mērskala	1,1 mm	
	Veids	Griezējšķautnes lietnis ar ķēdesratu	
Ķēdesrats	Zobu skaits	6	
	Solis	3/8"	

Zāģa ķēdes veids		91PX	
Dzinējposmu skaits		40	
Virzošā slīde	Virzošās slīdes garums	250 mm	
	Zāģējuma garums	244 mm	
	Solis	3/8"	
	Mērskala	1,3 mm	
	Veids	Griezējšķautnes lietnis ar ķēdesratu	
Ķēdesrats	Zobu skaits	6	
	Solis	3/8"	

Zāga ķēdes veids		25AP
Dzinējposmu skaits		60
Virzošā sliede	Virzošās sliedes garums	250 mm
	Zāģējuma garums	250 mm
	Solis	1/4"
	Mērskala	1,3 mm
	Veids	Kokgriezuma sliede
Ķēdesrats	Zobu skaits	9
	Solis	1/4"

IEVĒRĪBAI: Zāga ķēdi 25AP izmantojiet kopā ar 9. ķēdesratu (papildaprīkojums).

BRĪDINĀJUMS: Izmantojiet pareizo virzošās sliedes un ķēdes zāģa kombināciju. Citādi var rasties traumas.

Simboli

Zemāk ir attēloti simboli, kas attiecas uz iekārtu. Pirms darbarīka izmantošanas pārlicinieties, vai pareizi izprotat to nozīmi.



Izlasiet lietošanas rokasgrāmatu.



Izmantojiet aizsargbrilles.



Lietojiet ausu aizsargus.



Izmantojiet ķiveri, aizsargbrilles un ausu aizsargus.



Izmantojiet piemērotus pēdu–kāju un plaukstu–roku aizsarglīdzekļus.



Šo zāģi drīkst lietot tikai atbilstoši apmācīti operatori.



Nepakļaujiet mitru iedarbībai.



Maksimālais pieļaujama zāģējuma garums



Strādājot ar ķēdes zāģi, vienmēr turiet to ar abām rokām.



Ķēdes ceļa virziens



Zāģa ķēdes eļļas noregulēšana



Ni-MH
Li-ion

Tikai ES valstīm
Neizmetiet elektroiekārtas vai akumulatoru mājaisaimniecības atkritumos!
Saskaņā ar Eiropas direktīvu par elektrisko un elektronisko iekārtu atkritumiem, kā arī par baterijām un akumulatoriem, un bateriju un akumulatoru atkritumiem un to īstenošanu saskaņā ar valsts likumdošanu lietotais elektriskais aprīkojums, baterijas un akumulators kalpošanas laika beigās jāsavāc atsevišķi un jānogādā atbilstoši pārstrādei vidi saudzējošā veidā.

Paredzētā lietošana

Darbarīks ir paredzēts zaru zāģēšanai un koku apzāģēšanai. Tas ir piemērots arī koku kopšanai.

Trokšņa līmenis

Tipiskais A svērtais trokšņa līmenis noteikts saskaņā ar IEC62841-4-1:

Modelis DUC204

Skaņas spiediena līmeni (L_{pA}): 92,2 dB (A)

Skaņas jaudas līmeni (L_{WA}): 103,2 dB (A)

Mainīgums (K): 2,5 dB (A)

Modelis DUC254

Skaņas spiediena līmeni (L_{pA}): 92,2 dB (A)

Skaņas jaudas līmeni (L_{WA}): 103,2 dB (A)

Mainīgums (K): 2,5 dB (A)

Modelis DUC254C

Skaņas spiediena līmeni (L_{pA}): 92,2 dB (A)

Skaņas jaudas līmeni (L_{WA}): 103,2 dB (A)

Mainīgums (K): 2,5 dB (A)

BRĪDINĀJUMS: Lietojiet ausu aizsargus.

Vibrācija

Vibrācijas kopējā vērtība (trīsasu vektora summa) noteikta atbilstoši IEC62841-4-1:

Modelis DUC204

Darba režīms: koksnes zāģēšana

Vibrācijas izmēte ($a_{h, w}$): 3,1 m/s²

Mainīgums (K): 1,5 m/s²

Modelis DUC254

Darba režīms: koksnes zāģēšana

Vibrācijas izmēte ($a_{h, w}$): 3,1 m/s²

Mainīgums (K): 1,5 m/s²

Modelis DUC254C

Darba režīms: koksnes zāģēšana

Vibrācijas izmēte ($a_{h, w}$): 4,1 m/s²

Mainīgums (K): 1,5 m/s²

PIEZĪME: Paziņotā vibrācijas emisijas vērtība noteikta atbilstoši standarta pārbaudes metodei un to var izmantot, lai salīdzinātu vienu darbarīku ar citu.

PIEZĪME: Paziņoto vibrācijas emisijas vērtību arī var izmantot iedarbības sākotnējā novērtējumā.

▲BRĪDINĀJUMS: Reāli lietojot elektrisko darbarīku, vibrācijas emisija var atšķirties no paziņotās emisijas vērtības atkarībā no darbarīka izmantošanas veida.

▲BRĪDINĀJUMS: Lai aizsargātu lietotāju, nosakiet drošības pasākumus, kas pamatoti ar iedarbību reālos darba apstākļos (ņemot vērā visus ekspluatācijas cikla posmus, piemēram, laiku, kamēr darbarīks ir izslēgts un kad darbojas tukšgaitā, kā arī palaides laiku).

EK atbilstības deklarācija

Tikai Eiropas valstīm

EK atbilstības deklarācija šajā lietošanas rokasgrāmatā ir iekļauta kā A pielikums.

DROŠĪBAS BRĪDINĀJUMI

Vispārīgi elektrisko darbarīku drošības brīdinājumi

▲BRĪDINĀJUMS: Izlasiet visus drošības brīdinājumus, instrukcijas, apskatiet ilustrācijas un tehniskos datus, kas iekļauti mehānizētā darbarīka komplektācijā. Ja netiek ievēroti visi tālāk minētie noteikumi, var tikt izraisīta elektrotrauma, notikt aizdegšanās un/vai rasties smagas traumas.

Glabājiet visus brīdinājumus un norādījumus, lai varētu tajos ieskatīties turpmāk.

Termins „elektrisks darbarīks” brīdinājumus attiecas uz tādu elektrisko darbarīku, ko darbina ar elektrību (ar vadu), vai tādu, ko darbina ar akumulatoru (bez vada).

Bezvada motorzāģa drošības brīdinājumi

- 1. Kad ķēdes zāģis darbojas, nevienu ķermeņa daļu netuviniet zāģa ķēdei. Pirms ķēdes zāģa iedarbināšanas pārliecinieties, vai zāģa ķēde nekam nepieskaras.** Neuzmanības mirklis ķēdes zāģa lietošanas laikā var izraisīt apģērba vai ķermeņa saķeršanos ar zāģa ķēdi.
- 2. Vienmēr turiet ķēdes zāģi ar labo roku uz augšējā roktura un kreiso roku uz priekšējā roktura.** Turot rokas uz ķēdes zāģa otrādi, palielinās trauma gūšanas risks, tāpēc tā nekad nedrīkst rīkoties.
- 3. Darbarīku turiet tikai aiz roktura izolētajām virsmām, jo ķēdes zāģis var skart aplēptus kabeļus.** Ja zāģa ķēde saskarsies ar vadu, kurā ir strāva, visas darbarīka ārējās metāla virsmas vadīs strāvu un radīs elektriskās strāvas triecienu.
- 4. Izmantojiet aizsargbrilles un dzirdes aizsargus.** Ieteicams lietot papildu aizsardzības līdzekļus galvai, rokām, kājām un pēdām. Piemērots aizsargapģērbs samazinās risku savainoties ar atlecošiem gruziem vai nejauši saskarties ar zāģa ķēdi.

- 5. Vienmēr stabili stāviet uz piemērotas virsmas.**
- 6. Zāģējot lielus, nospriegotus zarus, jāuzmanās, lai izvairītos no atlecošiem zariem.** Kad koksnes šķiedras nospriegojums ir zudis, nospriegotais zars var atstīties pret operatoru un/vai izstīties ķēdes zāģi, padarot to nekontrolējamu.
- 7. Īpaši uzmanieties, zāģējot zemu krūmāju un kociņus.** Tievie zari var saķerties ar ķēdes zāģi un triekties pret jums kā pātagas vai izraut jūs no līdzsvara.
- 8. Kad nesat ķēdes zāģi, turiet to pie priekšējā roktura; tam jābūt izslēgtam un tas jātur atstatu no sevis. Transportējot vai glabājot ķēdes zāģi, vienmēr uzlieciet virzošās sliedes vāku.** Pareiza rīkošanās ar ķēdes zāģi samazinās iespēju nejauši saskarties ar kustīgo zāģa ķēdi.
- 9. Ievērojiet norādījumus par eļļošanu, ķēdes spriegošanu un piederumu maiņu.** Nepareizi nospriegotā vai ieeļļotā ķēde var saplīst vai palielināt atsitienu iespēju.
- 10. Uzturiet rokturus sausus un tīrus; rūpējieties, lai uz tiem nebūtu eļļas un smērvielu.** Tūkaini un eļļaini rokturi ir slideni un var izraisīt kontroles zudumu.
- 11. Zāģējiet tikai kokmateriālus. Neizmantojiet ķēdes zāģi nolūkam, kuram tas nav paredzēts.** Piemēram, neizmantojiet ķēdes zāģi plastmasas, mūra vai tādu celtniecības materiālu zāģēšanai, kas nav no koksnes. Ķēdes zāģa izmantošana neparedzētiem nolūkiem var radīt bīstamas situācijas.
- 12. Atsitienu iemesli un operatora iespējas to novērst.**

Atsitiens var rasties, kad virzošās sliedes gals vai uzgalis pieskaras priekšmetam vai kad koks sakļaujas un zāģa ķēdi iespiež zāģējuma. Saskare ar uzgali dažos gadījumos var izraisīt pēkšņu pretreakciju, virzošo sliedi pasītot augšup un atpakaļ operatora virzienā. Zāģa ķēdes iespiešana gar virzošās sliedes augšgalu var virzošo sliedi pēkšņi pastumt atpakaļ operatora virzienā. Šo pret darbību dēļ var zust kontrole pār zāģi, tāpēc var gūt nopietnus ievainojumus. Nepaļaujieties tikai uz aizsarglīdēm, kas iebūvētas zāģī. Lietojot ķēdes zāģi, jāveic vairākas darbības, lai zāģējot izsargātos no negadījumiem un ievainojumiem.

- Atsitiens rodas darbarīka nepareizas lietošanas un/vai nepareizas darbības vai apstākļu rezultātā, un no tā var izvairīties, veicot piemērotus drošības pasākumus.
- Satvērienam jābūt ciešam un ar abām rokām: ar īkšķiem un pirkstiem apņemot motorzāģa rokturus, ķermeni un roku novietojot tā, lai varētu pretoties atsitienu spēkam. Ja piesargājas pareizi, operators var kontrolēt atsitienu spēku. Neatļaidiet motorzāģi.

► Att.1

- Nesniedzieties pārāk tālu un nezaģējiet virs plecu līmeņa. Tas ļauj novērst neparedzētu saskari ar uzgali un labāk kontrolēt ķēdes zāģi negaidītās situācijās.
- Izmantojiet tikai tādas rezerves sliedes un ķēdes, ko norādījis ražotājs. Nepareiza rezerves sliežu un ķēžu izmantošana var saplīst ķēdi un/vai izraisīt atsitienu.

- Ievērojiet ražotāja norādījumus par zāģa ķēdes asināšanu un apkopi. Dziļummēra augstuma samazināšana var izraisīt pastiprinātu atsitieni.
13. **Pirms darba sākšanas pārbaudiet, vai ķēdes zāģis ir labā darba kārtībā un vai tā stāvoklis atbilst drošības noteikumiem. It sevišķi pārbaudiet, vai:**
 - ķēdes bremze darbojas pareizi;
 - jaudas pārtraukšanas bremze darbojas pareizi;
 - stieņa un ķēdesrata pārsegi ir uzlikti pareizi;
 - ķēde ir uzasināta un nospriegota saskaņā ar noteikumiem.
 14. **Neiedarbiniet motorzāģi, kamēr tam ir uzstādīts ķēdes aizsargs.** Ja motorzāģi iedarbina, kamēr tam ir uzstādīts ķēdes aizsargs, iespējama ķēdes aizsarga aizmešana, kas var ievainot cilvēkus un sabojāt priekšmetus ap operatoru.

Drošības brīdinājumi ķēdes zāģa ar augšējo rokturi lietošanai

1. Šis ķēdes zāģis ir īpaši paredzēts koku kopšanai un atveidošanai. Ķēdes zāģi drīkst izmantot tikai atbilstoši apmācītas personas. Ievērojiet attiecīgās profesionālās organizācijas norādījumus, procedūras un ieteikumus. Citādi varat izraisīt nāvējošus nelaimes gadījumus. Zāģēšanai kokos vienmēr ir ieteicams izmantot paceļamu platformu (celtni, pacēlāju). Kāpšana kokā, izmantojot virvi, ir ārkārtīgi bīstama, un tam nepieciešama īpaša apmācība. Operatoriem ir jābūt apmācītiem un jāiepazīstas ar drošības aprīkojumu un metodēm kāpšanai kokā. Strādājot kokos, vienmēr izmantojiet piemērotas siksnas, virves un karabīnes. Stiprinājuma aprīkojums vienmēr ir jāizmanto gan operatoram, gan zāģim.
2. Pirms novietošanas glabāšanā veiciet tīrīšanu un apkopi atbilstoši norādēm instrukciju rokasgrāmatu.
3. Lai nepieļautu degvielas vai ķēdes eļļas noplūdi, darbarīka bojājumus un personu ievainojumus, ķēdes zāģi pār vadājot automobilī, novietojiet to drošā pozīcijā.
4. Regulāri pārbaudiet ķēdes bremzes darbību.
5. Neuzpildiet ķēdes eļļu atklātu liesmu tuvumā. Pildot ķēdes eļļu, nekad nesmēķējiet.
6. Valsts noteikumi var ierobežot ķēdes zāģa lietošanu.
7. Ja darbarīks ir saņēmis smagu triecienu vai kritis, pārbaudiet tā stāvokli, pirms turpināt darbu. Pārbaudiet, vai vadības un drošības ierīces darbojas bez kļūdām. Ja ir bojājumi vai rodas šaubas, vērsieties mūsu pilnvarotajā apkopes centrā, lai veiktu pārbaudi un remontu.
8. Pirms ķēdes zāģa iedarbināšanas vienmēr aktivizējiet ķēdes bremzi.
9. Turiet zāģi cieši, lai, sākot zāģēšanu, nepieļautu zāģa slidēšanu vai lēkāšanu.
10. Zāģējuma beigās uzmanieties un saglabājiet līdzsvaru, jo ir gaidāms zāģa "kritiens".

11. **Nemiet vērā vēja virzienu un ātrumu. Izvairieties no zāģēšanas putekļiem un ķēdes eļļas izgarojumiem.**

Aizsargaprīkojums

1. **Ķēdes zāģa ekspluatācijas laikā jālieto tālāk minētais aizsargaprīkojums, lai pasargātu galvu, acis, plaukstas un pēdas no traumām, kā arī aizsargātu dzirdi.**
 - Jāvalkā piemērots apģērbs, t. i., tam jābūt cieši piegulošam, taču tas nedrīkst ierobežot kustības. Nenēsājiet rotaslietas vai apģērbu, kas var iekerties zaros vai krūmos. Ja jums ir gari mati, vienmēr valkājiet matu sietiņu!
 - Strādājot ar ķēdes zāģi, jāvalkā aizsargķivere. Regulāri jāpārbauda, vai **aizsargķiverei** nav bojājumu, un tā jāmaina vēlākais pēc 5 gadiem. Izmantojiet tikai apstiprinātas aizsargķiveres.
 - Aizsargķiveres **sejas aizsargs** (vai aizsargbrilles) aizsargā no zāģēšanas putekļiem un skaidām. Ķēdes zāģa ekspluatācijas laikā vienmēr lietojiet aizsargbrilles vai sejas aizsargu, lai pasargātu acis no traumām.
 - Izmantojiet piemērotus **līdzekļus aizsardzībai pret troksni** (ausiņas, ausu aizbāžņus u. c.).
 - **Aizsargjaka** ir izgatavota no 22 neilona kārtām, kas pasargā operatoru no griezumiem. Tā jāvalkā vienmēr, kad strādājat uz paceļamām platformām (celtnēm, pacēlājiem), uz kāpnēm piestiprinātām platformām vai kāpjat ar virvēm.
 - **Aizsargjosta un puskombinezons ar lencēm** ir izgatavoti no 22 neilona kārtām un pasargā operatoru no griezumiem. Mēs noteikti iesakām tos izmantot.
 - **Aizsargcimdi** ir izgatavoti no biezas ādas un arī ir daļa no noteiktā aprīkojuma, un tie vienmēr jāvalkā, strādājot ar ķēdes zāģi.
 - Ķēdes zāģa izmantošanas laikā vienmēr valkājiet **aizsargapavus** vai **aizsargzābakus** ar neslīdošu zoli, tērauda purngaliem un kāju aizsargiem. Aizsargapavi ar drošības slāni pasargā no iegriezumiem un nodrošina stabilu pamatu. Lai strādātu kokos, aizsargapaviem jābūt piemērotiem kāpšanai kokā.

Vibrācija

1. Ja personas, kam ir vāja asinsrite, tiek pakļautas pārmērīgai vibrācijai, ir iespējami asinsvadu vai nervu sistēmas bojājumi. Vibrācija pirkstos, plaukstās vai plaukstu locītavās var radīt šādus simptomus: "iemīgšanu" (nejūtīgumu), tirpšanu, sāpes, durstīgas sajūtas, izmaiņas ādas krāsā vai ādas izmaiņas. **Ja novērojami kādi no minētajiem simptomiem, apmeklējiet ārstu!** Lai mazinātu "balto pirkstu slimības" rašanās risku, darba laikā saglabājiet rokas siltas un uzturiet aprīkojumu un piederumus labā darba kārtībā.

SAGLABĀJIET ŠOS NORĀDĪJUMUS.

▲BRĪDINĀJUMS: NEPIEĻAUJIET to, ka labu iemaņu vai izstrādājuma labas pārzināšanas (darbarīku atkārtoti ekspluatējot) rezultātā vairs stingri neievērojat šī izstrādājuma drošības noteikumus. NEPAREIZI LIETOJOT darbarīku vai neievērojot šajā instrukcijā rokasgrāmatā minētos drošības noteikumus, var tikt gūtas smagas traumas.

Svarīgi drošības norādījumi par akumulatora kasetni

1. Pirms akumulatora lietošanas izlasiet visus norādījumus un brīdinājumus, kuri attiecas uz (1) akumulatora lādētāju, (2) akumulatoru un (3) ierīci, kurā tiek izmantots akumulators.
2. Neizjauciet akumulatoru.
3. Ja akumulatora darbības laiks kļūva ievērojami īsāks, nekavējoties pārtrauciet to izmantot. Citādi, tas var izraisīt pārkaršējumu, uzliesmojumu vai pat sprādzienu.
4. Ja elektrolīts nonāk acīs, izskalojiet tās ar tīru ūdens un nekavējoties griezieties pie ārsta. Tas var izraisīt redzes zaudēšanu.
5. Neradiet īssavienojumu akumulatora kasetnē:
 - (1) Nepieskarieties spaiļēm ar elektrību vadošiem materiāliem.
 - (2) Neuzglabājiet akumulatoru kasetni kopā ar citiem metāla priekšmetiem, tādiem kā naglas, monētas u. c.
 - (3) Nepakļaujiet akumulatora kasetni ūdens vai lietus iedarbībai.

Akumulatora īssavienojums var radīt spēcīgu strāvas plūsmu, pārkaršanu, uzliesmojumu un pat sabojāt akumulatoru.
6. Neglabājiet darbarīku un akumulatora kasetni vietās, kur temperatūra var sasniegt vai pārsniegt 50 °C (122 °F).
7. Nededziniet akumulatora kasetni, pat ja tā ir stipri bojāta vai pilnībā nolietota. Akumulatora kasetne ugunī var eksplodēt.
8. Uzmaniēties, lai neļautu akumulatoram nokrist un nepakļautu to sītienam.
9. Neizmantojiet bojātu akumulatoru.

10. Uz izmantotajiem lītija jonu akumulatoriem attiecas likumdošanas prasības par bīstamiem izstrādājumiem.

Komerציālā transportēšanā, ko veic, piemēram, trešās puses, transporta uzņēmumi, jāievēro uz iesaigojuma un marķējuma norādītās īpašās prasības. Lai izstrādājumu sagatavotu nosūtīšanai, jāsažinās ar bīstamo materiālu speciālistu. Ievērojiet arī citus attiecināmos valsts normatīvus. Vajēju kontaktus nosedziet ar līmlenti vai citādi pārklājiet, bet akumulatoru iesaigojiet tā, lai sainītas nevarētu izkustēties.

11. Ievērojiet vietējos noteikumus par akumulatora likvidēšanu.
12. Izmantojiet šos akumulatorus tikai ar izstrādājumiem, kurus norādījis Makita. Ievietojot šos akumulatorus nesaderīgos izstrādājumos, var rasties ugunsgrēks, pārmērīgs karstums, tie var uzsprāgt vai no tiem var iztecēt elektrolīts.

SAGLABĀJIET ŠOS NORĀDĪJUMUS.

▲UZMANĪBU: Lietojiet tikai oriģinālos Makita akumulatorus. Ja lietojat neoriģinālus Makita akumulatorus vai pārveidotus akumulatorus, tie var uzsprāgt un izraisīt aizdegšanos, traumas un materiālos zaudējumus. Tikas anulēta arī Makita darbarīka un lādētāja garantija.

Ieteikumi akumulatora kalpošanas laika pagarināšanai

1. Uzlādējiet akumulatora kasetni, pirms tā ir pilnībā izlādējusies. Vienmēr, kad ievērojāt, ka darbarīka darba jauda zudusi, apturiet darbarīku un uzlādējiet akumulatora kasetni.
2. Nekad neuzlādējiet pilnībā uzlādētu akumulatora kasetni. Pārmērīga uzlāde saīsina akumulatora kalpošanas laiku.
3. Uzlādējiet akumulatora kasetni istabas temperatūrā 10 °C - 40 °C. Karstai akumulatora kasetnei pirms uzlādes ļaujiet atdzist.
4. Uzlādējiet lītija jonu akumulatora kasetni, ja to ilgstoši nelietosit (vairāk nekā sešus mēnešus).

DETAĻU APRAKSTS

► Att.2

1	Slēdža mēlīte	2	Augšējais rokturis	3	Atbloķēšanas svira
4	Priekšējais roku sargs	5	Virzošā sliede	6	Zāģa ķēde
7	Ķēdes uzķērējs	8	Kontruzgrieznis	9	Ķēdes regulēšanas skrūve
10	Skaidu vadotne	11	Akumulatora kasetne	12	Galvenais elektropadeves indikators
13	Galvenais elektropadeves slēdzis	14	Regulēšanas skrūve (eļļas sūkņim)	15	Karabiņe
16	Priekšējais rokturis	17	Eļļas tvertnes vāciņš	18	Virzošās sliedes vāks

FUNKCIJU APRAKSTS

⚠ UZMANĪBU: Pirms darbarīka regulēšanas vai tā darbības pārbaudes vienmēr pārliecinieties, ka darbarīks ir izslēgts un akumulatora kasetne ir izņemta.

Akumulatora kasetnes uzstādīšana un izņemšana

⚠ UZMANĪBU: Vienmēr pirms akumulatora kasetnes uzstādīšanas vai noņemšanas izslēdziet darbarīku.

⚠ UZMANĪBU: Uzstādot vai izņemot akumulatora kasetni, darbarīku un akumulatora kasetni turiet cieši. Ja darbarīku un akumulatora kasetni netur cieši, tie var izkrist no rokām un radīt bojājumus darbarīkam un akumulatora kasetnei, kā arī izraisīt ievainojumus.

- **Att.3:** 1. Sarkanās krāsas indikators 2. Poga 3. Akumulatora kasetne

Lai izņemtu akumulatora kasetni, izvelciet to no darbarīka, pārbīdot kasetnes priekšpusē esošo pogu.

Lai uzstādītu akumulatora kasetni, salāgojiet mēlīti uz akumulatora kasetnes ar rievu ietvarā un iebīdīiet to vietā. Ievietojiet to līdz galam, līdz tā ar klikšķi nofiksējas. Ja pogas augšējā daļā redzams sarkanais krāsas indikators, tas nozīmē, ka tā nav pilnīgi fiksēta.

⚠ UZMANĪBU: Vienmēr ievietojiet akumulatora kasetni tā, lai sarkanais indikators nebūtu redzams. Pretējā gadījumā tā var nejauši izkrist no darbarīka un izraisīt jums vai apkārtējiem traumas.

















⚠ UZMANĪBU: Neievietojiet akumulatora kasetni ar spēku. Ja kasetne neslīd ietvarā viegli, tā nav pareizi ielikta.

Atlikušās akumulatora jaudas indikators

Tikai akumulatora kasetnēm ar indikatoru

- **Att.4:** 1. Indikatora lampas 2. Pārbaudes poga

Nospiediet akumulatora kasetnes pārbaudes pogu, lai pārbaudītu akumulatora atlikušo uzlādes līmeni. Indikatoru iedegsies uz dažām sekundēm.

Indikatora lampas			Atlikusī jauda
			
			No 75% līdz 100%
			No 50% līdz 75%
			No 25% līdz 50%
			No 0% līdz 25%
			Uzlādējiet akumulatoru.
  ↑ ↓  			Iespējama akumulatora kļūme.

PIEZĪME: Reālā jauda var nedaudz atšķirties no norādītās atkarībā no lietošanas apstākļiem un apkārtējās temperatūras.

Darbarīka/akumulatora aizsardzības sistēma

Darbarīkam ir darbarīka/akumulatora aizsardzības sistēma. Šī sistēma automātiski izslēdz strāvas padevi motoram, lai pagarinātu darbarīka un akumulatora darbmūžu. Lietošanas laikā darbarīks automātiski pārstās darboties, ja darbarīku un akumulatoru pakļaus kādam no šādiem apstākļiem.

Aizsardzība pret pārslodzi

Ja akumulatoram ekspluatācijas laikā nākas nodrošināt pārmērīgi augstu piedziņas jaudu, darbarīks automātiski pārtrauc darbību, un elektrobarošanas lampa mirgo zaļā krāsā. Šādā gadījumā izslēdziet darbarīku un pārtrauciet darbību, kas izraisa pārslodzi. Pēc tam ieslēdziet darbarīku, lai atsāktu darbu.

Aizsardzība pret pārkaršanu

Kad darbarīks vai akumulators ir pārkaris, darbarīks automātiski pārstāj darboties, un elektrobarošanas lampa ir deg sarkanā krāsā. Šādā gadījumā ļaujiet darbarīkam un akumulatoram atdzist un tikai pēc tam atkal ieslēdziet darbarīku.

PIEZĪME: Strādājot augstas temperatūras vidē, var aktivizēties pārkaršanas aizsardzības mehānisms, un darbarīks automātiski izslēgsies.

Aizsardzība pret akumulatora pārmērīgu izlādi

Ja atlikusī akumulatora jauda nav pietiekama, darbarīks automātiski pārstāj darboties, un elektrobarošanas lampa mirgo sarkanā krāsā. Šādā gadījumā izņemiet akumulatoru no darbarīka un uzlādējiet to.

Galvenais elektropadeves slēdzis

⚠ BRĪDINĀJUMS: Vienmēr, kad darbarīku noliecot, izslēdziet galveno elektropadeves slēdzi.

Lai ieslēgtu darbarīku, spiediet galveno barošanas slēdzi, līdz elektrobarošanas lampa iedegas zaļā krāsā. Lai izslēgtu, vēlreiz nospiediet galveno barošanas slēdzi.

- **Att.5:** 1. Elektrobarošanas lampa 2. Galvenais barošanas slēdzis

PIEZĪME: Nospiežot slēdža mēlīti darbam nepiemērotos apstākļos, elektrobarošanas lampa mirgo zaļā krāsā. Lampa mirgo kādā no tālāk aprakstītajām situācijām.

- Ja, ieslēdzot galveno barošanas slēdzi, jūs vienlaikus turat nospiestu bloķēšanas sviru un slēdža mēlīti.
- Ja nospiežat slēdža mēlīti, kamēr ir ieslēgta ķēdes bremze.
- Ja, atlaižot ķēdes bremzi, jūs vienlaikus turat nospiestu bloķēšanas sviru un slēdža mēlīti.

PIEZĪME: Šim motorzāģim ir automātiska izslēgšanas funkcija. Lai izvairītos no netišas iedarbināšanas, galvenais elektropadeves slēdzis izslēgsies automātiski, ja pēc galvenā elektropadeves slēdža ieslēgšanas noteiktu laiku posmu nav parauta slēdža mēlīte.

Lai zāģētu resnu vai blīva koka zarus, varat izmantot darbarīka palielinātā griezes momenta režīmu. Lai aktivizētu darbarīka palielinātā griezes momenta režīmu, kamēr darbarīks ir izslēgts, dažas sekundes turiet nospiestu galveno barošanas slēdzi — līdz elektrobarošanas lampa iedegas dzeltenā krāsā.

PIEZĪME: Darbarīku palielinātā griezes momenta režīmā var izmantot līdz 30 sekundēm. Noteiktos lietošanas apstākļos darbarīks var pārslēgties atpakaļ standarta režīmā arī ātrāk par 30 sekundēm.

PIEZĪME: Ja galvenais barošanas slēdzis pāris sekunžu ir nospiests un elektrobarošanas lampa sāk mirgot dzeltenā krāsā, palielinātā griezes momenta režīms nav pieejams. Šādā gadījumā rīkojieties, kā norādīts tālāk.

- Palielinātā griezes momenta režīms nav pieejams uzreiz pēc zāģēšanas. Nogaidiet vismaz 10 sekunžu, un pēc vēlreiz nospiediet galveno barošanas slēdzi.
- Ja palielinātā griezes momenta režīms jau vairākkārt ir izmantots, tā lietošana tiek ierobežota, lai pasargātu akumulatoru. Ja palielinātā griezes momenta režīms nav pieejams pēc 10 sekunžu gaidīšanas, nomainiet akumulatora kasetni ar pilnībā uzlādētu akumulatoru vai uzlādējiet jau ievietoto akumulatora kasetni.

PIEZĪME: Ja elektrobarošanas lampa iedegas sarkanā krāsā vai sāk mirgot sarkanā vai zaļā krāsā, skatiet norādes par darbarīka/akumulatora aizsardzības sistēmu.

PIEZĪME: Palielinātā griezes momenta režīmu nevar izmantot, kad darbarīkā ievietota akumulatora kasetne BL1815N, BL1820 vai BL1820B.

Slēdža darbība

▲BRĪDINĀJUMS: Drošības apsvērumu dēļ šis darbarīks ir aprīkots ar atbloķēšanas sviru, kas nepieļauj darbarīka nejašu iedarbināšanu. **NEKAD** neekspluatējiet darbarīku, ja tas darbojas, kad vienkārši pavelkat slēdža mēlīti, nespiežot atbloķēšanas sviru. **PIRMS** turpmākas ekspluatācijas darbarīku nododiet atbilstošam remontam mūsu pilnvarotā apkopes centrā.

▲BRĪDINĀJUMS: **NEKAD** nenovērtējiet par zemu un neignorējiet atbloķēšanas sviras mērķi un funkcijas.

▲UZMANĪBU: Pirms akumulatora kasetnes uzstādīšanas darbarīkā vienmēr pārbaudiet, vai slēdža mēlīte darbojas pareizi un pēc atlaišanas atgriežas stāvoklī „OFF” (Izslēgts).

IEVĒRĪBAI: Nevelciet slēdža mēlīti ar spēku, nespiežot atbloķēšanas sviru. Citādi var sabojāt slēdzi.

Lai novērstu slēdža mēlītes nejašu nospiešanu, darbarīks ir aprīkots ar bloķēšanas sviru. Lai ieslēgtu darbarīku, nospiediet bloķēšanas sviru un slēdža mēlīti. Darbarīka darbības ātrums palielinās, stiprāk nospiežot slēdža mēlīti. Lai apturētu darbarīku, atlaidiet slēdža mēlīti.

► **Att.6:** 1. Slēdža mēlīte 2. Atbloķēšanas svira

Kēdes bremzes pārbaude

▲UZMANĪBU: Iedarbinot kēdes zāģi, turiet to ar abām rokām. Turiet augšējo rokturi ar labo roku, bet priekšējo — ar kreiso. Vadsliede un kēde nedrīkst saskarties ar kādu priekšmetu.

▲UZMANĪBU: Ja zāģa kēde nekavējoties neapstājas, veicot šo pārbaudi, zāģi nekādā gadījumā nedrīkst ekspluatēt. Sazinieties ar mūsu pilnvaroto apkopes centru.

1. Nospiediet atbloķēšanas sviru, pēc tam paraujiet slēdža mēlīti. Motorzāģis sāk nekavējoties darboties.
2. Ar delnas virspusi pabīdīet priekšējo rokas aizsargu uz priekšu. Pārliecinieties, ka motorzāģis nekavējoties apstājas.

► **Att.7:** 1. Priekšējais roku sargs 2. Nebloķēta pozīcija 3. Bloķēta pozīcija

Jaudas pārtraukšanas bremzes pārbaude

▲UZMANĪBU: Ja pārbaudes laikā zāģa kēde neapstājas divu sekunžu laikā, pārtrauciet šī kēdes zāģa ekspluatāciju un sazinieties ar mūsu pilnvaroto apkopes centru.

Darbiniet kēdes zāģi un pēc tam pilnībā atlaidiet slēdža mēlīti. Zāģa kēdei divu sekunžu laikā ir pilnīgi jāapstājas.

Kēdes eļļošanas padeves noregulēšana

Eļļas sūkņa padeves daudzumu var regulēt, ar universālo uzgriežņu atslēgu pagriežot regulēšanas skrūvi. Var izvēlēties 3 dažādas padotās eļļas daudzumus.

► **Att.8:** 1. Regulēšanas skrūve

Karabīne (virves piestiprināšanas vieta)

Darbarīku var pakarināt, piestiprinot virvi karabīnei. Paceliet karabīni un pēc tam piesieniet tai virvi.

Elektronika

Lai atvieglotu lietošanu, darbarīks ir aprīkots ar elektroniskām funkcijām.

- Laidena ieslēgšana
Laidena ieslēgšana mazina iedarbināšanas triecienu, un darbarīks uzsāk darbību vienmērīgi.

MONTĀŽA

⚠UZMANĪBU: Pirms darbarīka regulēšanas vai apkopes vienmēr pārlicinieties, ka darbarīks ir izslēgts un akumulatora kasetne ir izņemta.

⚠UZMANĪBU: Zāga ķēdei nedrīkst pieskarties ar kailām rokām. Rīkojoties ar zāga ķēdi, vienmēr valkājiet cimdus.

Zāga ķēdes noņemšana vai uzstādīšana

⚠UZMANĪBU: Zāga ķēde un virzošā sliede uzreiz pēc ekspluatācijas vēl ir karsta. Tām vispirms jāatdziest, tikai tad drīkst darbarīku apkopt.

⚠UZMANĪBU: Zāga ķēde jāuzstāda vai jānoņem tīrā vietā, kur nav zāgu skaidu un līdzīgu materiālu.

Lai noņemtu zāga ķēdi, veiciet šeit norādītās darbības.

1. Atbrīvojiet ķēdes bremzi, pavelkot priekšējo rokas aizsargu.
2. Atskrūvējiet ķēdes regulēšanas skrūvi un pēc tam — kontruzgriezni.
▶ **Att.9:** 1. Ķēdes regulēšanas skrūve
2. Kontruzgrieznis
3. Noņemiet ķēdesrata aizsargu, tad no motorzāga korpusa noņemiet zāga ķēdi un virzošo sliedi.

Lai zāga ķēdi uzliktu, veiciet šeit norādītās darbības.

1. Pārbaudiet, kādā virzienā vērsta zāga ķēde. Zāga ķēdes virzienam ir jāsakrīt ar virziena atzīmi uz ķēdes zāga korpusa.
2. Uzlieciet zāga ķēdes vienu galu uz vadsliedes gala.
3. Otru zāga ķēdes galu aplieciet ap ķēdesratu un pēc tam piestipriniet vadsliedi pie zāga korpusa, ievietojot ķēdes zāga korpusa tapu vadsliedes caurumā.
▶ **Att.10:** 1. Ķēdesrats 2. Caurums
4. Ievietojiet ķēdesrata pārsega izvīzījumu ķēdes zāga korpusā un pēc tam aizveriet pārsegu tā, lai ķēdes zāga korpusa bultskrūve un tapas iegultu attiecīgajos pārsega caurumos.
▶ **Att.11:** 1. Izvīzījums 2. Ķēdesrata aizsargs
3. Bultskrūve 4. Tapa

5. Pievelciet kontruzgriezni, lai nostiprinātu ķēdesrata pārsegu, un pēc tam nedaudz atskrūvējiet to, lai regulētu sprieģojumu.
▶ **Att.12:** 1. Kontruzgrieznis

Zāga ķēdes nosprieģojuma regulēšana

⚠UZMANĪBU: Zāga ķēdi nedrīkst nosprieģot pārmērīgi. Ja zāga ķēde būs nosprieģota pārāk cieši, tā var pārrauties, virzošā sliede var nodilt vai regulēšanas skala var salūzt.

⚠UZMANĪBU: Pārāk vaļīga ķēde var nokrist no sliedes un izraisīt negadījumu.

Pēc daudzām ekspluatācijas stundām zāga ķēde var kļūt vaļīga. Ik pa laikam pirms ekspluatācijas pārbaudiet zāga ķēdes nosprieģojumu.

1. Atbrīvojiet ķēdes bremzi, pavelkot priekšējo rokas aizsargu.
2. Nedaudz atskrūvējiet kontruzgriezni, lai ķēdesrata pārsegs kļūtu vaļīgāks.
▶ **Att.13:** 1. Kontruzgrieznis
3. Nedaudz paceliet vadsliedes galu un noregulējiet ķēdes sprieģojumu. Grieziet ķēdes regulēšanas skrūvi pulkstenrādītāju kustības virzienā, lai nosprieģotu, un grieziet pretēji pulkstenrādītāju kustības virzienam, lai atbrīvotu.

Ķēdes asmens modelis 90PX un 91PX:

Pievelciet zāga ķēdi, līdz zāga ķēdes apakšējā daļa ievietojas vadsliedes rievā, kā redzams attēlā.

- ▶ **Att.14:** 1. Virzošā sliede 2. Zāga ķēde 3. Ķēdes regulēšanas skrūve

Ķēdes asmens modelis 25AP:

Pievelciet zāga ķēdi tā, lai atstarpe starp vadsliedes apakšas vidusdaļu un zāga ķēdi būtu aptuveni 1–2 mm.

4. Turpiniet turēt vadsliedi un pievelciet zobrata aizsargu.

Ķēdes asmens modelis 90PX un 91PX:

Pārbaudiet, vai zāga ķēdes apakšējā daļa nav vaļīga.

Ķēdes asmens modelis 25AP:

Pārbaudiet, vai atstarpe starp vadsliedes apakšas vidusdaļu un zāga ķēdi ir aptuveni 1–2 mm.

5. Pievelciet kontruzgriezni, lai nofiksētu ķēdesrata aizsargu.

- ▶ **Att.15:** 1. Kontruzgrieznis

Pārlicinieties, ka zāga ķēde cieši piegulst sliedes apakšējai daļai.

Zobatturis

Papildpiederumi

Zāģējot resnus zarus, ieteicams izmantot zobatturi. Zobattura uzstādīšanas process aprakstīts tālāk.

1. Noņemiet ķēdesrata pārsegu, zāga ķēdi un vadsliedi.
2. Savietojiet zobattura caurumus ar caurumiem ķēdes zāga korpusā un pēc tam cieši pievelciet skrūves.
▶ **Att.16:** 1. Skrūve 2. Zobatturis

EKSPLUATĀCIJA

Eļļošana

Zāga ķēde darba laikā tiek eļļota automātiski. Regulāri pārbaudiet eļļas tvertnē atlikušās eļļas daudzumu, apskatiet caur eļļas pārbaudes lodziņu.

Lai tvertni uzpildītu, motorzāģi atlieciet uz sāna un noņemiet eļļas tvertnes vāciņu. Pareizais eļļas daudzums ir 140 ml. Pēc tvertnes uzpildes pārbaudiet, vai eļļas tvertnes vāciņš aizgriezts cieši.

► **Att.17:** 1. Eļļas tvertnes vāciņš 2. Eļļas pārbaudes lodziņš

Ķēdes zāģi pēc tvertnes uzpildes turiet atstatu no koka. Iedarbiniet un pagaidiet, līdz zāga ķēde pietiekami saeļļojusies.

► **Att.18**

IEVĒRĪBAI: Ja ķēdes eļļu iepildāt pirmo reizi vai tvertni uzpildāt pēc tās pilnīgas iztukšošanas, eļļu iepildiet līdz ielietnes apakšējai malai. Nepiepildīšanas gadījumā eļļas padeve var būt traucēta.

IEVĒRĪBAI: Izmantojiet tikai Makita ķēdes zāģiem īpaši paredzēto zāga ķēdes eļļu vai līdzvērtīgu veikalā nopērkamu eļļu.

IEVĒRĪBAI: Nekad neizmantojiet eļļu, kas satur putekļus un sīkas daļiņas, vai eļļu, kas ātri iztvaiko.

IEVĒRĪBAI: Apzāģējot kokus, lietojiet augu eļļu. Minerāleļļa var kaitēt kokiem.

IEVĒRĪBAI: Pirms zāģēšanas darbībām pārlicinieties, ka eļļas tvertnes vāciņš ir ieskrūvēts vietā.

DARBS AR MOTORZĀĢI

⚠UZMANĪBU: Lietotājam zāģējot pirmo reizi, lai iepakozītos, balķis jāzāģē uz kokzāģēšanas stēķa vai atbalsta.

⚠UZMANĪBU: Zāģējot dēļus, izmantojiet drošu paliktņi (kokzāģēšanas stēķi vai atbalstu). Apstrādājamo materiālu neturiet ar kāju, neļaujiet to turēt vai atbalstīt citiem cilvēkiem.

⚠UZMANĪBU: Apaļu apstrādājamo materiālu nostipriniet tā, lai tas negrieztos.

⚠UZMANĪBU: Kad darbojas dzinējs, ķēdes zāģim netuviniet nevienu ķermeņa daļu.

⚠UZMANĪBU: Kad darbojas dzinējs, ķēdes zāģi cieši turiet abās rokās.

⚠UZMANĪBU: Nestiepieties. Vienmēr stingri stāviet uz piemērota atbalsta un saglabāiet līdzsvaru.

IEVĒRĪBAI: Darbarīku nekur nesviediet un nemetiet zemē.

IEVĒRĪBAI: Neapsedziet darbarīka atveres.

Koku apzāģēšana

Pirms ieslēgšanas pielieciet ķēdes zāga korpusu pie zāģējamā zara. Citādi vadsliede var sākt svārstīties, izraisot ievainojumus operatoram. Zāģējot koku, ļaujiet, lai paša ķēdes zāga svars virzītu to leju.

► **Att.19**

Ja koku neizdodas pārzāģēt vienā piegājienā: nedaudz piespiediet rokturi un turpiniet zāģēt, pavelkot ķēdes zāģi nedaudz atpakaļ.

► **Att.20**

Zāģējot resnus zarus, vispirms sekli iezāģējiet to apakšējā daļā un pēc tam nozāģējiet tos no augšpusēs.

► **Att.21**

Ja mēģināsiet nozāģēt resnu zaru no apakšpusēs, tas var iespiest zāga ķēdi zāģējuma vietā. Ja mēģināsiet nozāģēt resnu zaru no augšpusēs, neiezāģējot apakšpusē, zars var sašķelties.

► **Att.22**

Sagarumošana

1. Atbalstiet ķēdes zāga korpusu pret zāģējamo koku.

► **Att.23**

2. Kad zāga ķēde darbojas, sāciet zāģēt koku, ar augšējo rokturi paceļot zāģi un ar priekšējo — to vadot.

3. Turpiniet zāģēt, nedaudz uzspiežot uz augšējā roktura un zāģi nedaudz pavelkot atpakaļ.

IEVĒRĪBAI: Zāģējot vairākus gabalus, starplaiķos apturiet motorzāģi.

⚠UZMANĪBU: Ja zāģēšanai izmanto sliedes augšgalu, motorzāģis var noliekties uz jūsu pusi, ja ķēde iesprūst. Tāpēc zāģēšanai izmantojiet apakšējo sliedes malu, lai zāģis liektos prom no jums.

► **Att.24**

Zāģējot nosprigotu kokmateriālu, vispirms zāģējiet spiediena pusi (A). Pēc tam zāģējiet no sprigotās puses (B). Tādējādi sliede neiesprūdis.

► **Att.25**

Atzarošana

⚠UZMANĪBU: Atzarot drīkst tikai šo prasmi apguvuši cilvēki. Iespējams atsiens.

Atzarojot motorzāģi atbalstiet uz koka balķa, ja iespējams. Neizāģējiet ar sliedes galu, jo tādējādi iespējams atsiens.

Īpaši uzmanieties ar nosprigotiem zariem. Neatbalstītais zarus neizāģējiet no apakšas. Atzarojot nestāviet uz nogāzta balķa.

Darbarīka pārvietošana

Pirms darbarīka nešanas vienmēr nostipriniet ķēdes brezmi un izņemiet akumulatoru kasetnes. Tad uzlieciet virzošās sliedes vāku. Akumulatora kasetnei uzlieciet akumulatora vāku.

► **Att.26:** 1. Virzošās sliedes vāks 2. Akumulatora vāks

APKOPE

⚠UZMANĪBU: Pirms darbarīka pārbaudes vai apkopes vienmēr pārlicinieties, ka darbarīks ir izslēgts un akumulatora kasetne ir izņemta.

⚠UZMANĪBU: Veicot pārbaudi vai tehnisko apkopi, vienmēr valkājiet cimdus.

IEVĒRĪBAI: Nekad neizmantojiet gazolinu, benzīnu, atšķaidītāju, spirtu vai līdzīgus šķidrumus. Tas var radīt izbalēšanu, deformāciju vai plaisas.

Lai saglabātu izstrādājuma DROŠU un UZTICAMU darbību, remontdarbus, apkopi un regulēšanu uzticiet veikt tikai Makita pilnvarotam vai rūpnīcas apkopes centram, un vienmēr izmantojiet tikai Makita rezerves daļas.

Zāģa ķēdes asināšana

Zāģa ķēde jāasina, ja:

- zāģējot mitru koku, rodas irdenas zāģskaidas;
- ķēde ar grūtībām zāģē koku, pat ja to piespiež stingri;
- griezējama ir acīm redzami bojāta;
- zāģis kokā raujas pa kreisi vai pa labi. (Nevienmērīgi uzasinātas zāģa ķēdes dēļ vai bojājums ir tikai vienā pusē.)

Zāģa ķēdi asiniet bieži, taču katru reizi tikai nedaudz. Ikdienas uzasināšanai parasti pietiek ar diviem vai trim viļes pārvilcieniem. Kad zāģa ķēde asināta vairākas reizes, nogādājiet to mūsu pilnvarotajā apkopes centrā, lai to tur uzasinātu.

Asināšanas kritēriji

⚠BRĪDINĀJUMS: Pārmērīgs attālums starp griezējamo un dziļummēru palielina atsietna iespējamību.

► **Att.27:** 1. Zoba garums 2. Attālums starp griezējamo un dziļummēru 3. Minimālais frēze garums (3 mm)

- Visiem zobiem jābūt vienādā garumā. Atšķirīga zobu garuma dēļ zāģa ķēde nedarbojas vienmērīgi, tādēļ zāģa ķēde var salūzt.
- Ja zobi sasnieguši 3 mm garumu vai ir īsāki, neasiniet ķēdi. Ķēde ir jāmaina.
- Skaidu biežumu nosaka attālums starp dziļummēru (apaļgalu) un griezējamo.
- Vislabāk ķēde zāģē tad, ja starp griezējamo un dziļummēru ir tālāk norādītais attālums.
 - Ķēdes asmens 90PX: 0,65 mm
 - Ķēdes asmens 91PX: 0,65 mm
 - Ķēdes asmens 25AP: 0,65 mm

► **Att.28**

- Visiem zobiem jābūt vienādam asināšanas leņķim – 30°. Ja zobu leņķi būs dažādi, ķēde darbosies raupji un nevienmērīgi, pārāk ātri nolietosies un salūzīs.
- Lai pret zobu noturētu pareizu asināšanas leņķi, jāizmanto piemērota apaļā viļe.
 - Ķēdes asmens 90PX: 55°
 - Ķēdes asmens 91PX: 55°
 - Ķēdes asmens 25AP: 55°

Viļe un viļes bīdītājs

- Lai uzasinātu zāģa ķēdi, izmantojiet īpašu apaļo viļi (papildpiederums). Parastās apaļās viļes nav piemērotas.
- Diametrs atbilstošajām apaļajām viļēm ir tālāk norādīts.
 - Ķēdes asmens 90PX: 4,5 mm
 - Ķēdes asmens 91PX: 4,0 mm
 - Ķēdes asmens 25AP: 4,0 mm
- Ķēde ar viļi jāvilē tikai virzienā uz priekšu. Atpakaļgājienā viļi no ķēdes noņemiet.
- Īsākos zobus asiniet vispirms. Šo zobu garums nosaka visu pārējo zāģa ķēdes zobu nepieciešamo garumu.
- Viļi virziet tā, kā attēlots zīmējumā.
 - **Att.29:** 1. Viļe 2. Zāģa ķēde
- Ja izmanto viļes turētāju (papildaprīkojums), virzīt viļi ir daudz vieglāk. Uz viļes turētāja ir atzīmes pareizam asināšanas leņķim 30° (atzīmes centrējiet paralēli zāģa ķēdei), un tas ierobežo iespējamās dziļumu (līdz 4/5 no viļes diametra).
 - **Att.30:** 1. Viļes turētājs
- Pēc ķēdes uzasināšanas pārbaudiet dziļummēra augstumu, izmantojot ķēdes mērinstrumentu (papildaprīkojums).
 - **Att.31**
- Ar īpašu plakano viļi (papildaprīkojums) nogludiniet visus nefldzenumus, pat mazus.
- Vēlreiz noapaļojiet dziļummēra priekšējo daļu.

Noīriet virzošo sliedi

Virzošās sliedes rievā uzkrāsies skaidas un putekļi. Tie var aizsprostot sliedes rievu un traucēt eļļas plūsmu. Skaidas un putekļus izīriet katru reizi, kad asināt vai nomaināt zāģa ķēdi.

► **Att.32**

Ķēdesrata aizsarga tīrīšana

Skaidas un putekļi uzkrāsies ķēdesrata aizsarga iekšpusē. No darbarīka noņemiet ķēdesrata aizsargu un zāģa ķēdi, tad izīriet skaidas un putekļus.

► **Att.33**

Eļļas izvades atveres tīrīšana

Darbības laikā eļļas izvades atverē var uzkrāties putekļi vai mazas daļiņas. Šie putekļi vai daļiņas var samazināt eļļas plūsmu un izraisīt nepietiekamu visas ķēdes eļļošanu. Ja konstatēta vāja eļļas padeve virzošās sliedes galā, izīriet eļļas izvades atveri.

1. No darbarīka noņemiet ķēdesrata aizsargu un zāģa ķēdi.
2. Izīriet sīkos putekļus vai daļiņas, izmantojot plakangala skrūvgriezi ar tievu kātu vai līdzīga rīku.
 - **Att.34:** 1. Plakangala skrūvgriezis 2. Eļļas izvades atvere
3. Darbarīkā ielieciet akumulatora kasetni. Pavelciet slēdža mēlīti, lai no eļļas izvades atveres izvadītu uzkrājušos putekļus vai daļiņas, iztecinot ķēdes eļļu.
4. No darbarīka izņemiet akumulatora kasetni. Darbarīkam uzlieciet ķēdesrata aizsargu un zāģa ķēdi.

Kēdesrata nomaiņa

⚠ UZMANĪBU: Nodilis kēdesrats sabojās jaunu zāga ķēdi. Šajā gadījumā nomainiet kēdesratu.

Pirms jaunas zāga ķēdes uzlikšanas pārbaudiet kēdesrata stāvokli.

► **Att.35:** 1. Kēdesrats 2. Izdiluma zonas

Vienmēr, nomainot kēdesratu, uzstādiet jaunu bloķēšanas gredzenu.

► **Att.36:** 1. Bloķēšanas gredzens 2. Kēdesrats

IEVĒRĪBAI: Pārliecinieties, ka kēdesrats uzstādīts tā, kā parādīts attēlā.

Darbarīka glabāšana

1. Pirms darbarīka novietošanas glabāšanai iztīriet to. Pēc kēdesrata aizsarga noņemšanas no darbarīka iztīriet skaidas un putekļus.
2. Pēc darbarīka iztīrīšanas darbiniet to bez noslodzes, lai ieeļļotu zāga ķēdi un virzošo sliedi.
3. Virzošajai slidei uzlieciet virzošās sliedes vāku.
4. Iztukšojiet eļļas tvertni.

Norādījumi par regulāru tehnisko apkopi

Lai zāģis kalpotu ilgi, nepieļautu tā bojājumus un garantētu drošības aprīkojuma pilnīgu funkcionēšanu, regulāri jāveic tehniskā apkope. Garantijas remonta pieprasījumu pieņem tikai tad, ja apkopi veic regulāri un pareizi. Ja regulāri neveic aprakstīto tehnisko apkopi, iespējami negadījumi! Motorzāga lietotājs nedrīkst veikt tādas tehniskās apkopes darbus, kas nav aprakstīti šajā lietošanas rokasgrāmatā. Šāda veida darbi jāveic mūsu pilnvarotajā apkopes centrā.

Pārbaudāmais viensoms/veikšanas laiks	Pirms izmantošanas	Katru dienu	Reizi nedēļā	Reizi 3 mēnešos	Reizi gadā	Pirms glabāšanas
Motorzāģis	Apskate.	✓	-	-	-	-
	Tīrīšana.	-	✓	-	-	-
	Pārbaude pilnvarotā apkopes centrā.	-	-	-	✓	✓
Zāga ķēde	Apskate.	✓	-	-	-	-
	Asināšana, ja vajag.	-	-	-	-	✓
Virzošā sliede	Apskate.	✓	✓	-	-	-
	Noņemt no motorzāga.	-	-	-	-	✓
Kēdes bremze	Pārbaudīt funkcionēšanu.	✓	-	-	-	-
	Nogādāt uz periodisko pārbaudi pilnvarotā apkopes centrā.	-	-	-	✓	-
Kēdes eļļošana	Pārbaudīt eļļas padeves ātrumu.	✓	-	-	-	-
Slēdža mēlīte	Apskate.	✓	-	-	-	-
Atbloķēšanas svira	Apskate.	✓	-	-	-	-
Eļļas tvertnes vāciņš	Pārbaudīt ciešumu.	✓	-	-	-	-
Kēdes uzķērējs	Apskate.	-	-	✓	-	-
Skrūves un uzgriežņi	Apskate.	-	-	✓	-	-

PROBLĒMU NOVĒRŠANA

Pirms nodošanas remontā vispirms veiciet pārbaudi pats. Ja konstatējat kļūmi, kas nav aprakstīta rokasgrāmatā, nemēģiniet darbarīku izjaukt. Dodieties uz Makita pilnvarotu apkopes centru un remontam vienmēr izmantojiet tikai Makita rezerves daļas.

Nefunkcionēšanas stāvoklis	Iemesls	Rīcība
Motorzāģis neiedarbinās.	Nav ievietota akumulatora kasetne.	Ievietojiet uzlādētu akumulatora kasetni.
	Akumulatora problēma (niecīga jauda).	Uzlādējiet akumulatoru kasetnes. Ja uzlāde neizdodas, nomainiet akumulatora kasetni.
	Galvenais elektropadeves slēdzis ir izslēgts.	Motorzāģis ir automātiski izslēdzies, ja noteiktu laikposmu ar to neesat strādājis. No jauna ieslēdziet galveno elektropadeves slēdzi.
Zāģa ķēde nekustas.	Ir aktivizēta ķēdes bremze.	Atlaidiet ķēdes bremzi.
Pēc Tsa darbošanās brīža dzinējs noslāpst.	Akumulatora uzlādes līmenis ir par zemu.	Uzlādējiet akumulatoru kasetnes. Ja uzlāde neizdodas, nomainiet akumulatora kasetni.
Uz ķēdes nav eļļas.	Eļļas tvertne ir tukša.	Uzpildiet eļļas tvertni.
	Eļļas slīdes rieva ir netīra.	Iztīriet rievu.
	Sliktā eļļas padeve.	Ar regulēšanas skrūvi pieaugulējiet eļļas padeves daudzumu.
Motorzāģis nenasniedz maksimālo apgriezīu skaitu minūtē.	Akumulatora kasetne ievietota nepareizi.	Akumulatoru kasetnes uzlieciet tā, kā aprakstīts šajā rokasgrāmatā.
	Samazinās akumulatora jauda.	Uzlādējiet akumulatora kasetni. Ja uzlāde nesniedz vēlamo rezultātu, nomainiet akumulatora kasetni.
	Piedziņas sistēma nedarbojas pareizi.	Lūdziet, lai pilnvarotā apkopes centrā jūsu reģionā to saremontē.
Elektrobarošanas lampa mirgo zaļā krāsā.	Slēdža mēlīte ir parauta, kad nenotiek ekspluatācija.	Slēdža mēlīti paraujiet pēc galvenā elektropadeves slēdža ieslēgšanas un ķēdes bremzes atļaišanas.
Ķēde neapstājas pat pēc ķēdes bremzes aktivizēšanas: nekavējoties apturiet darbarīku!	Bremzes sikсна ir izdilusi.	Lūdziet, lai pilnvarotā apkopes centrā jūsu reģionā to saremontē.
Pārmērīga vibrācija: nekavējoties apturiet darbarīku!	Palaidiet vajīgāk virzošo sliedi vai zāģa ķēdi.	Pieregulējiet virzošās slīdes un zāģa ķēdes nosprigojumu.
	Darbarīks nestrādā.	Lūdziet, lai pilnvarotā apkopes centrā jūsu reģionā to saremontē.
Palielinātā griezes momenta režīms nav pieejams pēc tam, kad akumulatora kasetne ir nomainīta ar pilnībā uzlādētu akumulatora kasetni.	Noteiktos lietošanas apstākļos palielinātā griezes momenta režīms pēc akumulatora kasetnes maiņas var nebūt pieejams.	Lietojiet darbarīku standarta režīmā, līdz ievietotā akumulatora kasetne izlādējas, un pēc tam nomainiet to ar pilnībā uzlādētu vai uzlādējiet akumulatora kasetni.

PAPILDU PIEDERUMI

⚠UZMANĪBU: Šādi piederumi un papildierīces tiek ieteiktas lietošanai ar šajā rokasgrāmatā aprakstīto Makita darbarīku. Izmantojot citus piederumus vai papildierīces, var tikt radīta trauma gūšanas bīstamība. Piederumu vai papildierīci izmantojiet tikai paredzētajam mērķim.

Ja jums vajadzīga palīdzība vai precīzāka informācija par šiem piederumiem, vērsieties savā tuvākajā Makita apkopes centrā.

- Zāģa ķēde
- Virzošā sliede
- Virzošās slīdes vāks
- Ķēdesrats

- Zobatturis
- Vīle
- Instrumentu somiņa
- Makita oriģinālais akumulators un lādētājs

⚠BRĪDINĀJUMS: Ja iegādājaties virzošo sliedi, kuras garums atšķiras no standarta virzošās slīdes garuma, nopērciet arī piemērotu virzošās slīdes vāku. Tam jāpiegulst un pilnībā jānosedz motorzāģa virzošā sliede.

PIEZĪME: Daži sarakstā norādītie izstrādājumi var būt iekļauti instrumenta komplektācijā kā standarta piederumi. Tie dažādās valstīs var būt atšķirīgi.

SPECIFIKACIJOS

Modelis:		DUC204	DUC254	DUC254C
Bendrasis ilgis (be kreipimo juostos)		256 mm		
Vardinė įtampa		Nuol. sr. 18 V		
Grynasis svoris		2,8–3,3 kg		
Standartinis kreipimo juostos ilgis		200 mm	250 mm	
Rekomenduojamas kreipimo juostos ilgis	su 90PX	200–250 mm		–
	su 91PX	–	250 mm	–
	su 25AP	–	–	250 mm
Tinkamas pjūtko grandinės tipas (žr. toliau pateiktą lentelę)		90PX	90PX 91PX	25AP
Standartinė žvaigždutė	Dantų skaičius	6		9
	Žingsnis	3/8 col.		1/4 col.
Grandinės greitis		0–24 m/s (0–1 440 m/min)		0–22,5 m/s (0–1 350 m/min)
Grandinei skirtos alyvos bakelio tūris		140 cm ³		

- Atliekame tęsinius tyrimus ir nuolat tobuliname savo gaminius, todėl čia pateikiamos specifikacijos gali būti keičiamos be įspėjimo.
- Techninės sąlygos įvairiose šalyse gali skirtis.
- Svoris gali priklausyti nuo priedo (-ų), įskaitant akumuliatoriaus kasetę. Lengviausias ir sunkiausias deriniai pagal EPTA 2014 m. sausio mėn. procedūrą yra parodyti lentelėje.

Tinkama akumuliatoriaus kasetė

BL1815N / BL1820 / BL1820B / BL1830 / BL1830B / BL1840 / BL1840B / BL1850 / BL1850B / BL1860B

- Atsižvelgiant į gyvenamosios vietos regioną, kai kurios pirmiau nurodytos akumuliatoriaus kasetės gali būti nepreinanamos.

⚠️ ĮSPĖJIMAS: Naudokite tik akumuliatoriaus kasetes, kurios nurodytos anksčiau. Naudojant bet kurias kitas akumuliatoriaus kasetes, gali kilti sužeidimo ir gaisro pavojus.

Pjūtko grandinės, kreipimo juostos ir žvaigždutės derinys

Grandininio pjūtko tipas		90PX	
Pavaros jungčių skaičius		33	40
Pjovimo juosta	Pjovimo juostos ilgis	200 mm	250 mm
	Pjovimo ilgis	180 mm	244 mm
	Pasvirimas	3/8 col.	
	Ribotuvus	1,1 mm	
	Tipas	Žvaigždutės antgalio juosta	
Žvaigždutė	Dantų skaičius	6	
	Žingsnis	3/8 col.	

Grandininio pjūtko tipas		91PX	
Pavaros jungčių skaičius		40	
Pjovimo juosta	Pjovimo juostos ilgis	250 mm	
	Pjovimo ilgis	244 mm	
	Pasvirimas	3/8 col.	
	Ribotuvus	1,3 mm	
	Tipas	Žvaigždutės antgalio juosta	
Žvaigždutė	Dantų skaičius	6	
	Žingsnis	3/8 col.	

Grandininio pjūklo tipas		25AP
Pavaros jungčių skaičius		60
Pjovimo juosta	Pjovimo juostos ilgis	250 mm
	Pjovimo ilgis	250 mm
	Pasvirimas	1/4 col.
	Ribotumas	1,3 mm
	Tipas	Išgaubta juosta
Žvaigždutė	Dantų skaičius	9
	Žingsnis	1/4 col.

PASTABA: Kai naudojate 25AP pjūklo grandinę, ją naudokite su žvaigždute Nr. 9 (pasirenkamasis priedas).

ĮSPĖJIMAS: Naudokite tinkamą pjovimo juostą ir grandininį pjūklą. Antraip galite susižaloti.

Simboliai

Toliau yra nurodyti įrangai naudojami simboliai. Prieš naudodami įsitikinkite, ar suprantate jų reikšmę.

	Perskaitykite instrukcijų vadovą.
	Uždėkite apsauginius akinius.
	Naudokite ausų apsaugos priemones.
	Naudokite šalmą, apsauginius akinius ir klausos apsaugines priemones.
	Naudokite tinkamą kojų ir rankų apsaugą.
	Šį pjūklą gali naudoti tik tinkamai išmokyti operatoriai.
	Saugokite nuo drėgmės.
	Didžiausias leistinasis pjovimo ilgis
	Naudodami pjūklo grandinę, visada dirbkite abiem rankomis.
	Grandinės eigos kryptis
	Grandininio pjūklo alyvos kiekio reguliavimas
	Ni-MH Li-ion
	Taikoma tik ES šalims Neišmeskite elektros įrangos arba akumuliatoriaus bloko į buitinius šiukšlynus! Atsižvelgiant į ES direktyvas dėl elektros ir elektroninės įrangos atliekų, dėl baterijų ir akumuliatorių bei baterijų ir akumuliatorių atliekų ir šių direktyvų siekių įgyvendinimą pagal nacionalinius įstatymus, elektros įrangos ir baterijų bei akumuliatorių atliekas būtina surinkti atskirai nuo kitų buitinių atliekų ir atiduoti į antrinių žaliavų perdirbimo aplinkai nekenksmingu būdu punktą.

Numatytoji naudojimo paskirtis

Įrankis skirtas šakoms pjauti ir medžiams genėti. Jį taip pat galima naudoti miškų ūkio darbams.

Triukšmas

Įprastas triukšmo A lygis, nustatytas pagal IEC62841-4-1:

Modelis DUC204

Garso slėgio lygis (L_{pA}): 92,2 dB (A)
Garso galios lygis (L_{WA}): 103,2 dB (A)
Paklaida (K): 2,5 dB (A)

Modelis DUC254

Garso slėgio lygis (L_{pA}): 92,2 dB (A)
Garso galios lygis (L_{WA}): 103,2 dB (A)
Paklaida (K): 2,5 dB (A)

Modelis DUC254C

Garso slėgio lygis (L_{pA}): 92,2 dB (A)
Garso galios lygis (L_{WA}): 103,2 dB (A)
Paklaida (K): 2,5 dB (A)

ĮSPĖJIMAS: Dėvėkite ausų apsaugą.

Vibracija

Vibracijos bendroji vertė (trašio vektorius suma) nustatyta pagal IEC62841-4-1 standartą:

Modelis DUC204

Darbo režimas: medžio pjovimas
Vibracijos emisija ($a_{h,W}$): 3,1 m/s²
Paklaida (K): 1,5 m/s²

Modelis DUC254

Darbo režimas: medžio pjovimas
Vibracijos emisija ($a_{h,W}$): 3,1 m/s²
Paklaida (K): 1,5 m/s²

Modelis DUC254C

Darbo režimas: medžio pjovimas
Vibracijos emisija ($a_{h,W}$): 4,1 m/s²
Paklaida (K): 1,5 m/s²

PASTABA: Paskelbtasis vibracijos emisijos dydis nustatytas pagal standartinį testavimo metodą ir jį galima naudoti vienam įrankiui palyginti su kitu.

PASTABA: Paskelbtasis vibracijos emisijos dydis taip pat gali būti naudojamas preliminariai įvertinti vibracijos poveikį.

⚠️ JSPĖJIMAS: Faktiškai naudojant elektrinį įrankį, keliamos vibracijos dydis gali skirtis nuo paskelbtojo dydžio, priklausomai nuo būdų, kuriais yra naudojamas šis įrankis.

⚠️ JSPĖJIMAS: Siekdami apsaugoti operatorių, būtina įvertinkite saugos priemones, remdamiesi vibracijos poveikio įvertinimu esant faktinėms naudojimo sąlygoms (atsižvelgdami į visas darbo ciklo dalis, pavyzdžiui, ne tik kiek laiko įrankis veikia, bet ir kiek kartų jis yra išjungiamas bei kai jis veikia be apkrovų).

EB atitikties deklaracija

Tik Europos šalis

EB atitikties deklaracija yra pridėdama kaip šio instrukcijos vadovo A priedas.

SAUGOS ĮSPĖJIMAI

Bendrieji įspėjimai dirbant elektriniais įrankiais

⚠️ JSPĖJIMAS: Perskaitykite visus saugos įspėjimus, instrukcijas, iliustracijas ir techninius duomenis, pateiktus kartu su šiuo elektriniu įrankiu. Nesilaikant visų toliau išvardytų instrukcijų galima patirti elektros smūgį, gali kilti gaisras ir (arba) galima sunkiai susižaloti.

Išsaugokite visus įspėjimus ir instrukcijas, kad galėtumėte jas peržiūrėti ateityje.

Terminas „elektrinis įrankis“ pateiktuose įspėjimuose reiškia į maitinimo tinklą jungiamą (laidinį) elektrinį įrankį arba akumulatoriaus maitinamą (belaidį) elektrinį įrankį.

Įspėjimai dėl belaidžio grandininio pjūklo saugos

1. **Kai veikia grandininis pjūklas, visos kūno dalys turi būti kuo toliau nuo pjūklo grandinės.** Prieš pradėdami dirbti su grandininio pjūklu, įsitikinkite, kad pjūklo grandinė nieko neličia. Dėl nedėmesingumo momento darbo su grandininiais pjūklais metu grandininis pjūklas gali įtraukti drabužius ar sužeisti.
2. **Grandininio pjūklo viršutinę rankeną visada laikykite dešine ranka, o priekinę rankeną – kaire.** Pavojus susižeisti didėja grandininį pjūklą laikant priešingai nei buvo minėta – to geriau niekada nedaryti.
3. **Laikykite šį elektrinį įrankį tik už izoliuotų, laikymui skirtų vietų, nes grandininis pjūklas gali užkliudyti nematomus laidus.** Grandininiam pjūklui užkliudžius „gyvą“ laidą, įtampa gali būti perduota neizoliuotoms metalinėms elektrinio įrankio dalims, ir operatorius gali gauti elektros smūgį.
4. **Naudokite apsauginius akinius ir klausos apsaugines priemones.** Taip pat rekomenduojamos galvos, rankų, kojų ir pėdų apsauginės priemonės. Atitinkami apsauginiai drabužiai sumažins susižeidimo dėl skriejančių atliekų ar atsitiktinio sąlyčio su grandininio pjūklo tikimybę.

5. **Visuomet tvirtai stovėkite ant žemės.**
6. **Pjudami jėgos veikiamą šaką, saugokitės, kad ji neatsöktų.** Kai medžio plaušai atpalaiduojami, jėgos veikiamą šaką gali kliudyti operatorių ir (arba) sutrikdyti grandininio pjūklo veikimą.
7. **Būkite ypač atsargūs pjudami krūmus ir sodinukus.** Grandininis pjūklas gali kliudyti plonas medžio daleles ir suplakti jas į jūsų pusę, arba dėl to galite prarasti pusiausvyrą.
8. **Išjungtą ir nuo savęs nusuktą grandininį pjūklą nešukite laikydami už priekinės rankenos. Transportuodami ar sandėliuodami grandininį pjūklą, visada uždėkite pjovimo juostos dangtį.** Tinkama grandininio pjūklo priežiūra sumažins atsitiktinio sąlyčio su judančia pjūklo grandine tikimybę.
9. **Vadovaukitės tepimo, grandinės įtempimo ir papildomų įtaisų keitimo instrukcija.** Netinkamai įtempta ar sutepta grandinė gali trūkti ar padidinti atatranks tikimybę.
10. **Rankenos turi būti švarios, sausos ir neištepotos tepalu.** Riebaluotos ir tepaluotos rankenos yra slidžios, todėl galite nesuvaldyti įrankio.
11. **Skirta tik medienai pjauti. Nenaudokite grandininio pjūklo ne pagal paskirtį.** Pavyzdžiui, nenaudokite grandininio pjūklo plastikui, mūrai ar statybinėms medžiagoms, išskyrus medieną, pjauti. Jei grandininis pjūklas naudojamas atlikti darbams, kuriems jis nėra skirtas, gali susidaryti pavojinga situacija.
12. **Atatranks priežastys ir profilaktiniai operatoriaus veiksmai**

Atatranka gal įvykti tada, kai pjovimo juostos antgalis ar galiukas liečia daiktą, arba kai grandininis pjūklas priartėja prie medžio ir įstringa įpjovoje. Kai kuriais atvejais galiuko prisilietimas prie objekto gali būti staigios priešingos reakcijos priežastis, kai pjovimo juosta trukteli į viršų link operatoriaus. Spaudžiant grandininį pjūklą viršutinėje pjovimo juostos dalyje, pjovimo juosta gali greitai pasisukti link operatoriaus. Dėl bet kurios iš šių priežasčių galite nesuvaldyti pjūklo ir rimtai susižeisti. Nepasitikėkite vien tik pjūkle sumontuotais apsauginiais įtaisais. Grandininio pjūklo naudotojai turėtų atlikti keletą veiksmų, siekdami išvengti nelaimingų atsitikimų ir susižeidimų, vykdydami pjovimo darbus.

Atatranka yra piktnaudžiavimo įrankiu ir (arba) netinkamų darbo procedūrų ar sąlygų rezultatas, jos galima išvengti, laikantis toliau nurodytų atsargumo priemonių.

- Laikykite tvirtai, nykščiu bei pirštais suėmę grandininio pjūklo rankenas ir uždėję ant pjūklo abi rankas; kūnas ir ranka turi būti tokioje padėtyje, kad galėtumėte atlaikyti atatranks jėgas. Operatorius gali kontroliuoti atatranks jėgas, jei imasi reikiamų atsargumo priemonių. Nepaleiskite grandininio pjūklo.

► Pav.1

- Nepersitempkite ir nepjunkite didesniame nei pečių aukštyje. Tai padeda išvengti nenumatyto galiuko prisilietimo ir suteikia galimybę nenumatytoje situacijoje geriau valdyti grandininį pjūklą.
- Naudokite tik gamintojo nurodytas keičiamas juostas ir grandines. Dėl netinkamos keičiamosios juostos ir grandinės grandinė gali nutrūkti, ir (arba) gali įvykti atatranka.

- Laikykitės gamintojo nurodytų grandininio pjūklo galandimo ir priežiūros instrukcijų. Dėl sumažinto gylio ribotuvo aukščio gali padėti atatranka.
13. **Prieš pradėdami dirbti patikrinkite, ar grandininis pjūklas yra tinkamas darbui, ir ar jis atitinka saugos reikalavimus. Ypač patikrinkite, ar:**
 - tinkamai veikia grandinės stabdys;
 - tinkamai veikia sustojimo stabdys;
 - tinkamai uždėti strypas ir grandininio rato dangtelis;
 - grandinė buvo pagaląsta ir įtempta pagal taisykles.
 14. **Nepaleiskite grandininio pjūklo, kai ant jo uždėtas grandinės gaubtas.** Paleidus grandininį pjūklą su uždėtu grandinės gaubtu, grandinės gaubtas gali būti nusviestas ir sužeisti operatorių arba apgadinti šalia jo esančius daiktus.

Saugos įspėjimai, susiję su viršutine grandininio pjūklo rankena

1. Šis grandininis pjūklas specialiai skirtas medžiams karpyti ir genėti. Šį grandinį pjūklą gali naudoti tik tie žmonės, kurie moka jį tinkamai naudoti. Vadovaukitės visais atitinkamos profesionalios organizacijos nurodymais, procedūromis ir rekomendacijomis. Antraip gali įvykti mirtinų nelaimingų atsitikimų. Genėjant medžius, visada rekomenduojama naudoti kėlimo platformą (vyšnių skintuvą, keltuvą). Naudoti lipimo / nusileidimo virvėmis metodus itin pavojinga – tam reikia specialių mokymo kursų. Operatoriai privalo būti išmokyti, kaip saugiai naudoti įrenginį ir laiptotį medžiais. Dirbdami medžiuose, visada naudokite tinkamus diržus, virves ir žiedus (žiedines sąsagas). Visada naudokite ir operatoriaus, ir pjūklo sulaikymo įrangą.
2. Prieš padėdami įrenginį į vietą, atlikite naudojimo instrukcijoje nurodytus valymo ir techninės priežiūros darbus.
3. Jei vežate grandininį pjūklą automobiliu, būtina tinkamai jį padėkite, kad iš jo netekėtų degalai arba grandinės alyva, kad įrankis nebūtų sugadintas ir nesužeistų jūsų.
4. Reguliariai tikrinkite, ar tinkamai veikia grandinės stabdiklis.
5. Nepilkite grandinės alyvos į bakelį šalia atviro liepsnos. Niekada nerūkykite, kai pilate grandinės alyvos į bakelį.
6. Šio grandininio pjūklo naudojimas gali būti reglamentuojamas nacionaliniais teisės aktais.
7. Jei įrenginys patiria stiprų smūgį arba nukrenta, prieš dirbdami toliau patikrinkite jo būklę. Patikrinkite, ar tinkamai veikia valdikliai ir saugos įtaisai. Jei yra pažeidimas arba kyla abejonių, kreipkitės į mūsų įgaliotąjį techninės priežiūros centrą dėl patikrinimo ir remonto.
8. Prieš pradėdami naudoti grandininį pjūklą, visada įjunkite grandinės stabdiklį.
9. Tvirtai laikykite pjūklą, kad pradėjus pjauti jis nečiūžtelėtų (neslystelėtų) ar neatšoktų.
10. Baigę pjauti, būkite atsargūs, kad „kritimo“ metu išlaikytumėte pusiausvyrą.

11. **Atsižvelkite į vėjo kryptį ir greitį. Venkite medžio dulkių ir grandinės tepimo alyvos dulksnos poveikio.**

Apsauginė įranga

1. **Norint išvengti galvos, akių, rankų ar kojų sužeidimo, taip pat apsaugoti klausą, naudojant grandininį pjūklą, būtina naudoti toliau nurodytas apsaugines priemones.**
 - Reikia dėvėti tinkamus darbinio drabužius, t. y. jie turi būti priglundę, bet neaptempti. Nedėvėkite papuošalų ar plačių drabužių, kurie galėtų įsipainioti krūmuose ar krūmuose. Jeigu turite ilgus plaukus, visada dėvėkite plaukų tinklę!
 - Naudojant grandininį pjūklą, visada reikia dėvėti apsauginį šalmą. **Apsauginį šalmą** reikia reguliariai tikrinti, ar jis nesugadintas, ir jį keisti ne rečiau kaip kas 5 metus. Naudokite tik aprobuotus apsauginius šalmus.
 - **Apsauginis skydelis** (arba darbo akiniai) apsaugo veidą nuo sviedžiamų pjūvenų ir medžio skiedrų. Naudodami grandininį pjūklą, visuomet naudokite apsauginius akinius arba skaidrų apsauginį skydelį, kad išvengtumėte akių sužeidimų.
 - Dėvėkite tinkamas nuo triukšmo apsaugančias priemones (ausines, ausų kištukus ir pan.).
 - **Apsauginė liemenė** turi 22 nailono sluoksnius; ji apsaugo operatorių nuo įpovimo. Ją visada privaloma dėvėti dirbant ant pakeltų platformų (vyšnių skintuvų, keltuvų), ant kopėčių sumontuotų platformų arba įlipus į medžius naudojant virves.
 - **Apsauginiai darbo drabužiai ir kombinezonos** yra pagaminti iš 22 sluoksnių nailono konstrukcijos; jie apsaugo nuo įspjovimo. Mes primygtinai rekomenduojame juos naudoti.
 - **Apsauginės pirštinės**, pagamintos iš storos odos, yra būtina saugos priemonių dalis – jas visuomet būtina mėvėti dirbant elektriniu grandininio pjūklu.
 - Naudojant grandininį pjūklą visada būtina dėvėti **apsauginius batus arba apsauginius aulinius batus** neslidžiais padais, plieninėmis nosimis ir kojų apsaugomis. Apsauginė avalynė su apsauginiu sluoksniu saugo nuo įspjovimų ir užtikrina saugų pagrindą. Dirbant medžiuose, apsauginiai batai privalo būti tinkami pasirinktam lipimo į medžius metodui.

Vibracija

1. Per didelę vibraciją patiriantys asmenys, kurių prasta kraujo apytaka, gali susižeisti kraujagysles arba nervų sistemą. Dėl vibracijos pirštuose, rankose ar riešuose gali atsirasti tokių simptomų: „Nutirpimas“, dilgčiojimas, skausmas, dūrimo pojūtis, odos spalvos ar odos pasikeitimas. **Pajutę bet kurį iš šių simptomų, kreipkitės į gydytoją.** Siekdami sumažinti pavojų susirgti „pirštų balimo liga“, dirbdami rankas laikykite šiltai ir tinkamai techniškai prižiūrėkite įrenginį bei priedus.

SAUGOKITE ŠIAS INSTRUKCIJAS.

⚠️ ĮSPĖJIMAS: NELEISKITE, kad patogumas ir gaminio pažinimas (įgyjamas pakartotinau naudojant) susilpnintų griežtą saugos taisyklių, taikytinų šiam gaminiui, laikymąsi. Dėl NETINKAMO NAUDOJIMO arba saugos taisyklių, kurios pateiktos šioje instrukcijoje, nesilaikymo galima rimtai susižeisti.

Svarbios saugos instrukcijos, taikomos akumulatoriaus kasetei

1. Prieš naudodami akumulatoriaus kasetę, perskaitykite visas instrukcijas ir perspėjimus ant (1) akumuliatorių įkroviklio, (2) akumuliatorių ir (3) akumuliatorių naudojančio gaminio.
2. Neardykite akumulatoriaus kasetės.
3. Jei įrankio darbo laikas žymiai sutrumpėjo, nedelsdami nutraukite darbą su įrankiu. Tai gali kelti perkaitimo, nudegimų ar net sprogdimo pavojų.
4. Jei elektrolitas pateko į akis, plaukite jas tyru vandeniu ir nedelsdami kreipkitės į gydytoją. Gali kilti regėjimo praradimo pavojus.
5. Neužtrumpinkite akumulatoriaus kasetės:
 - (1) Nelieskite kontaktų degiomis medžiagomis.
 - (2) Venkite laikyti akumulatoriaus kasetę kartu su kitais metaliniais daiktais, pavyzdžiui, vinimis, monetomis ir pan.
 - (3) Saugokite akumulatoriaus kasetę nuo vandens ir lietaus.

Trumpasis jungimas akumuliatoriuje gali sukelti stiprią srovę, perkaitimą, galimus nudegimus ar net akumulatoriaus gedimą.
6. Nelaikykite įrankio ir akumulatoriaus kasetės vietoje, kur temperatūra gali pasiekti ar viršyti 50 °C.
7. Nedeginkite akumulatoriaus kasetės, net jei yra stipriai pažeista ar visiškai susidėvėjusi. Ugnyje akumulatoriaus kasetė gali sprogti.
8. Saugokite akumuliatorių nuo kritimo ir smūgių.
9. Nenaudokite pažeisto akumulatoriaus.

10. Įdėtomis ličio jonų akumulatoriams taikomi Pavojingų prekių teisės akto reikalavimai. Komeracinis transportas, pvz., trečiųjų šalių, prekių vežimo atstovų, turi laikytis specialaus reikalavimo ant pakuotės ir ženklavimo. Norėdami paruošti siųstiną prekę, pasitarkite su pavojingų medžiagų specialistu. Be to, laikykitės galimai išsamesnių nacionalinių reglamentų. Užklijuokite juosta arba padenkite atvirus kontaktus ir supakuokite akumuliatorių taip, kad jį pakuotėje nejudėtų.
11. Vadovaukitės vietos įstatymais dėl akumuliatorių išmetimo.
12. Baterijas naudokite tik su „Makita“ nurodytais gaminiais. Baterijas įdėjus į netinkamus gaminius gali kilti gaisras, gaminys pernelyg kaisti, kilti sprogimas arba pratekėti elektrolitas.

SAUGOKITE ŠIAS INSTRUKCIJAS.

⚠️ PERSPĖJIMAS: Naudokite tik originalų „Makita“ akumuliatorių. Neoriginalaus „Makita“ arba pakeisto akumulatoriaus naudojimas gali nulemti gaisrą, asmens sužalojimą ir pažeidimą. Tai taip pat panaikina „Makita“ suteikiamą „Makita“ įrankio ir įkroviklio garantiją.

Patarimai, ką daryti, kad akumuliatorius veiktų kuo ilgiau

1. Pakraukite akumulatoriaus kasetę prieš jai visiškai išsikraunant. Visuomet nustokite naudoti įrankį ir pakraukite akumulatoriaus kasetę, kai pastebite, kad įrankio galia sumažėjo.
2. Niekada nekraukite iki galo įkrautos akumulatoriaus kasetės. Perkraunant trumpėja akumulatoriaus eksploatacijos laikas.
3. Akumulatoriaus kasetę kraukite esant kambario temperatūrai 10 - 40 °C. Prieš pradėdami krauti, leiskite įkaitusiai akumulatoriaus kasetei atvėsti.
4. Įkraukite akumulatoriaus kasetę, jei jos nenaudojate ilgą laiką (ilgiau nei šešis mėnesius).

DALIŲ APRAŠYMAS

► Pav.2

1	Gaidukas	2	Viršutinė rankena	3	Atlaisvinimo svirtelė
4	Priekinis rankų apsauginis gaubtas	5	Pjovimo juosta	6	Pjūklo grandinė
7	Grandinės gaudyklė	8	Fiksuojamoji veržlė	9	Grandinės reguliavimo varžtas
10	Apsauginis gaubtas nuo skiedrų	11	Akumulatoriaus kasetė	12	Pagrindinio maitinimo lemputė
13	Pagrindinis maitinimo jungiklis	14	Reguliavimo sraigtas (alyvos siurbliui)	15	Žiedas
16	Priekinė rankena	17	Alyvos bakelio dangtelis	18	Pjovimo juostos gaubtas

VEIKIMO APRAŠYMAS

⚠ PERSPĖJIMAS: Prieš pradėdami reguliuoti arba tikrinti įrankio veikimą, visuomet būtinai išjunkite įrankį ir išimkite akumuliatoriaus kasetę.

Akumuliatoriaus kasetės uždėjimas ir nuėmimas

⚠ PERSPĖJIMAS: Prieš įdėdami arba išimdami akumuliatoriaus kasetę, visada išjunkite įrankį.

⚠ PERSPĖJIMAS: Įdėdami arba išimdami akumuliatoriaus kasetę, tvirtai laikykite įrankį ir akumuliatoriaus kasetę. Jeigu įrankį ir akumuliatoriaus kasetę laikysite netvirty, jie gali išslysti iš jūsų rankų, todėl įrankis ir akumuliatoriaus kasetė gali būti sugadinti, o naudotojas sužalotas.

- **Pav.3:** 1. Raudonas indikatorius 2. Mygtukas 3. Akumuliatoriaus kasetė

Jei norite išimti akumuliatoriaus kasetę, ištraukite ją iš įrankio, stumdami mygtuką, esantį kasetės priekyje.

Jei norite įdėti akumuliatoriaus kasetę, sulygiuokite liežuvių ant akumuliatoriaus kasetės su grioveliu korpusė ir įstumkite į jai skirtą vietą. Įdėkite iki galo, kol spragtelėdama užsifiksuos. Jeigu matote raudoną indikatorius viršutinėje mygtuko pusėje, ji nėra visiškai užfiksuota.

⚠ PERSPĖJIMAS: Akumuliatoriaus kasetę visada įkiškite iki galo, kol nebeamatysite raudono indikatorius. Priešingu atveju ji gali atsiktinkinai iškristi iš įrankio, sužeisti jus arba aplinkinius.

⚠ PERSPĖJIMAS: Nekiškite akumuliatoriaus kasetės įėga. Jeigu kasetė sunkiai lenda, ją kiškite netinkamai.

Likusios akumuliatoriaus galios rodymas

Tik akumuliatoriaus kasetėms su indikatoriumi

- **Pav.4:** 1. Indikatorijų lemputės 2. Tikrinimo mygtukas

Paspauskite akumuliatoriaus kasetės tikrinimo mygtuką, kad būtų rodoma likusi akumuliatoriaus energija. Maždaug trims sekundėms užsidegs indikatorijų lemputės.

Indikatorijų lemputės			Likusi galia
Šviečia	Nešviečia	Blyksi	
■	□	▬	
■ ■ ■ ■			75 - 100 %
■ ■ ■ □			50 - 75 %
■ ■ □ □			25 - 50 %
■ □ □ □			0 - 25 %
▬ □ □ □			Įkraukite akumuliatorių.
■ ■ □ □	↑ ↓	□ □ ■ ■	Galimai įvyko akumuliatoriaus veikimo triktis.

PASTABA: Rodmuo gali šiek tiek skirtis nuo faktinės energijos lygio – tai priklauso nuo naudojimo sąlygų ir aplinkos temperatūros.

Įrankio / akumuliatoriaus apsaugos sistema

Įrankyje įrengta įrankio / akumuliatoriaus apsaugos sistema. Ši sistema automatiškai atjungia variklio maitinimą, kad įrankis ir akumuliatorius ilgiau veiktų. Įrankis automatiškai išsijungs darbo metu esant vienai iš toliau nurodytų įrankio arba akumuliatoriaus darbo sąlygų:

Apsauga nuo perkrovos

Kai akumuliatorius naudojamas taip, kad neįprastai padidėja elektros srovė, įrankis automatiškai išsijungia, o pagrindinė maitinimo lemputė žybcioja žalia spalva. Tokiu atveju atleiskite įrankio gaiduką ir nutraukite darbą, dėl kurio kilo įrankio perkrova. Tada vėl įjunkite įrankį.

Apsauga nuo perkaitimo

Jeigu įrankis arba akumuliatorius perkaista, įrankis automatiškai išsijungia, o pagrindinė maitinimo lemputė dega raudona spalva. Tokiu atveju, prieš vėl įjungdami įrankį, leiskite įrankiui ir akumuliatoriui atvėsti.

PASTABA: Tikėtina, kad aplinkoje, kurioje labai šilta, suveiks apsauga nuo perkaitimo, todėl įrankis bus išjungtas automatiškai.

Apsauga nuo visiško išsekvojimo

Jeigu likusios akumuliatoriaus galios nepakanka, įrankis automatiškai išsijungia, o pagrindinė maitinimo lemputė žybcioja raudona spalva. Tokiu atveju ištraukite akumuliatorių iš įrankio ir jį įkraukite.

Pagrindinis maitinimo jungiklis

⚠ PERSPĖJIMAS: Kai nenaudojate, visada išjunkite pagrindinį maitinimo jungiklį.

Įjunkite įrankį, spauskite pagrindinį maitinimo jungiklį, kol pagrindinė maitinimo lemputė ims šviesti žalia spalva. Norėdami išjungti, dar kartą paspauskite pagrindinį įjungimo jungiklį.

- **Pav.5:** 1. Pagrindinė maitinimo lemputė 2. Pagrindinis maitinimo jungiklis

PASTABA: Jei neveikimo sąlygomis paspaudžiamas gaidukas, žalia spalva žybsi pagrindinė maitinimo lemputė. Lemputė blyksi esant vienai iš šių sąlygų.

- Jei įjungiate pagrindinį maitinimo jungiklį, laikydami nuspaudę atlaisvinimo svirtį ir gaiduką.
- Jei nuspaudžiate gaiduką, kol naudojamas grandinės stabdys.
- Jei atleidižiate grandinės stabdį, laikydami nuspaudę atlaisvinimo svirtį ir gaiduką.

PASTABA: Šis grandininis pjūklas turi automatinio išsijungimo funkciją. Kad būtų išvengta netyčinio paleidimo, kai tam tikrą laiką nespaudžiamas gaidukas (kai buvo nuspauostas pagrindinis maitinimo jungiklis), pagrindinis maitinimo jungiklis išsijungs automatiškai.

Įrankį galite naudoti sukimo momento stiprinimo režimu šakoms ar kietoms šakoms pjauti. Norėdami naudoti įrankį sukimo momento stiprinimo režimu, kai įrankis išjungtas, kelioms sekundėms nuspauskite pagrindinį maitinimo jungiklį, kol pagrindinė maitinimo lemputė išsiviešija geltona spalva.

PASTABA: Įrankį galite naudoti sukimo momento stiprinimo režimu iki 30 sekundžių. Priklausomai nuo naudojimo sąlygų, šis režimas persijungia į įprastą po mažiau kaip 30 sekundžių.

PASTABA: Jei kelias sekundes spaudžiant pagrindinį maitinimo jungiklį pagrindinė maitinimo lemputė blyksniavo geltona spalva, sukimo momento stiprinimo režimas neprieinamas. Tokiu atveju atlikite toliau nurodytus veiksmus.

- Sukimo momento stiprinimo režimas iš karto po įjungimo neprieinamas. Palaukite ilgiau kaip 10 sekundžių, tada dar kartą paspauskite pagrindinį maitinimo jungiklį.
- Jei sukimo momento stiprinimo režimą naudosite kelis kartus, tuomet jo naudojimas bus ribojamas akumuliatoriui apsaugoti. Jei palaukus ilgiau kaip 10 sekundžių sukimo momento stiprinimo režimas neprieinamas, pakeiskite akumuliatoriaus kasetę visiškai įkrauta arba ją įkraukite.

PASTABA: Pagrindinei maitinimo lemputei šviečiant raudona spalva arba blyksint raudona arba žalia spalva, žr. įrankio / akumuliatoriaus apsaugos sistemos instrukcijas.

PASTABA: Įdėjęs akumuliatoriaus kasetę BL1815N, BL1820 arba BL1820B, sukimo momento stiprinimo režimu naudoti negalima.

Jungiklio veikimas

ĮSPĖJIMAS: Jūsų pačių saugumui šiame įrankyje įrengta atlaisvinimo svirtelė, kuri neleidžia netyčia įjungti įrankio. NIEKADA nenaudokite veikiančio įrankio, jeigu nuspaudėte tik gaiduką, nenuspaudę atlaisvinimo svirtelės. PRIEŠ pradėdami vėl naudoti įrankį, atiduokite jį tinkamai suremontuoti į įgaliotąjį techninės priežiūros centrą.

ĮSPĖJIMAS: NIEKADA neužklijuokite lipnia juostele ir nepanaikinkite atlaisvinimo svirtelės paskirties bei funkcijos.

PERSPĖJIMAS: Prieš montuodami akumuliatoriaus kasetę įrankyje, visuomet patikrinkite, ar gaidukas tinkamai veikia ir atleistas grįžta į išjungimo padėtį „OFF“.

PASTABA: Negalima stipriai spausti gaiduko, nenuspaudus atlaisvinimo svirtelės. Taip galima sugadinti jungiklį.

Yra įrengta atlaisvinimo svirtis, kad gaidukas nebūtų atsitiktinai nuspaustas. Jei norite įjungti įrankį, paspauskite atlaisvinimo svirtį ir patraukite gaiduką. Įrankio greitis didėja stipriau spaudžiant svirtinį jungiklį. Atleiskite gaiduką, jeigu norite sustabdyti įrankį.

► **Pav.6:** 1. Gaidukas 2. Atlaisvinimo svirtelė

Grandinės stabdžio patikrinimas

ĮSPĖJIMAS: Įjungdami, laikykite grandininį pjūklą abejomis rankomis. Viršutinę rankeną laikykite dešine ranka, o priekinę – kairiąja ranka. Pjovimo juosta ir grandinė neturi liestis prie jokių daiktų.

ĮSPĖJIMAS: Jeigu atliekant testą grandininis pjūklas tuoj pat neišsijungtų, šio pjūklo jokiais būdais negalima naudoti. Kreipkitės į mūsų įgaliotąjį techninės priežiūros centrą.

1. Paspauskite atlaisvinimo svirtelę, tada paspauskite gaiduką. Grandininis pjūklas tuoj pat išsijungia.
 2. Atbula ranka paspauskite priekinį rankų apsauginį gaubtą. Įsitinkinkite, kad grandininis pjūklas iš karto sustoja.
- **Pav.7:** 1. Priekinis rankų apsauginis gaubtas
2. Atfiksuota padėtis 3. Užfiksuota padėtis

Nusidėvėjusio stabdžio patikrinimas

ĮSPĖJIMAS: Jei šio bandymo metu pjūklo grandinė nesustoja per dvi sekundes, nebenaudokite jos ir kreipkitės į įgaliotąjį techninės priežiūros centrą.

Paleiskite pjūklo grandinę, tada visiškai atleiskite gaiduką. Pjūklo grandinė turi sustoti per dvi sekundes.

Grandinės tepimo reguliavimas

Alyvos siurblio tiekimo normą galite reguliuoti universaliu veržliarakčiu. Alyvos kiekį galima reguliuoti atliekant 3 veiksmus.

► **Pav.8:** 1. Reguliavimo varžtas

Žiedas (virvės tvirtinimo taškas)

Pritvirtinę virvę prie žiedo, galite pakabinti įrankį. Patraukite žiedą, tada ant jo užriškite virvę.

Elektroninė funkcija

Prietaise yra elektroninė funkcija paprastam naudojimui.

- Švelnus paleidimas
Švelnaus paleidimo funkcija iki minimumo sumažina paleidimo smūgį ir leidžia sklandžiai paleisti prietaisą.

SURINKIMAS

ĮSPĖJIMAS: Prieš darydami ką nors įrankiu visada patikrinkite, ar įrenginys išjungtas, o akumuliatorių kasetė – nuimta.

ĮSPĖJIMAS: Nelieskite grandininio pjūklo plikomis rankomis. Imdami grandininį pjūklą, visuomet mūvėkite pirštines.

Pjūklo grandinės montavimas arba nuėmimas

▲PERSPĖJIMAS: Po naudojimo pjūklo grandinė ir pjovimo juosta vis dar būna įkaitusios. Prieš atlikdami bet kokius įrankio remonto ar tikrinimo darbus, palaukite, kol jie atvės.

▲PERSPĖJIMAS: Pjūklo grandinės montavimo arba nuėmimo procedūrą reikia atlikti švarioje vietoje, kur nėra pjuvenų ir panašiai.

Norėdami nuimti pjūklo grandinę, atlikite šiuos veiksmus:

1. Patraukdami priekinę rankos apsaugą, atleiskite grandinės stabdį.
2. Atlaisvinkite grandinės reguliavimo varžtą, tada – fiksuojamąjį veržlę.
▶ **Pav.9:** 1. Grandinės reguliavimo varžtas
2. Fiksuojamoji veržlė
3. Nuimkite žvaigždutes gaubtą, tada pjūklo grandinę ir kreipiamąją juostą nuo grandininio pjūklo korpuso.

Norėdami sumontuoti pjūklo grandinę, atlikite šiuos veiksmus:

1. Patikrinkite pjūklo grandinės kryptį. Sutapdinkite pjūklo grandinės kryptį su žyme ant grandininio pjūklo korpuso.
2. Įtaisykite vieną pjūklo grandinės galą ant kreipimo juostos viršaus.
3. Kitą pjūklo grandinės galą įtaisykite aplink žvaigždutę, tada prie grandininio pjūklo korpuso pritvirtinkite kreipimo juostą, sulygiuodami ant kreipimo juostos esančią angą su grandininio pjūklo korpuso kaiščiu.
▶ **Pav.10:** 1. Žvaigždutė 2. Anga
4. Įkiškite žvaigždutes dangtelio iškyšą į grandininio pjūklo korpusą, tada uždarykite dangtelį, kad ant grandininio pjūklo korpuso esantis varžtas ir kaiščiai sutaptų su priešingomis dalimis ant dangtelio.
▶ **Pav.11:** 1. Iškyša 2. Žvaigždutes gaubtas 3. Varžtas 4. Kaištis

5. Priveržkite fiksuojamąjį veržlę ir užfiksuokite žvaigždutes dangtelį, tada ją šiek tiek atlaisvinkite įtempimui sureguliuoti.

▶ **Pav.12:** 1. Fiksuojamoji veržlė

Pjūklo grandinės įtempimo reguliavimas

▲PERSPĖJIMAS: Neperveržkite pjūklo grandinės. Dėl per didelio pjūklo grandinės įtempimo ji gali nutrūkti, gali nusidėvėti pjovimo juosta, arba sulūžti reguliavimo ratukas.

▲PERSPĖJIMAS: Per daug atlaisvinta grandinė gali nukristi nuo juostos, todėl kelia sužalojimo pavojų.

Pjūklo grandinė atsilaisvina tik po daugelio darbo valandų. Prieš naudojimą retkarčiais patikrinkite pjūklo grandinės įtempimą.

1. Patraukdami priekinę rankos apsaugą, atleiskite grandinės stabdį.

2. Šiek tiek atlaisvinkite fiksuojamąjį veržlę, tada šiek tiek atlaisvinkite žvaigždutes dangtelį.

▶ **Pav.13:** 1. Fiksuojamoji veržlė

3. Šiek tiek pakelkite kreipimo juostos galiuką ir sureguliuokite grandinės įtempimą. Sukite grandinės reguliavimo varžtą pagal laikrodžio rodyklę, kad priveržtumėte, arba prieš laikrodžio rodyklę, kad atlaisvintumėte.

Informacija dėl grandininio pjūklo ašmenų 90PX ir 91PX:

Veržkite pjūklo grandinę tol, kol apatinė pjūklo grandinės pusė įsitaisys kreipimo juostos griovelyje, kaip parodyta.

- ▶ **Pav.14:** 1. Pjovimo juosta 2. Pjūklo grandinė
3. Grandinės reguliavimo varžtas

Informacija dėl grandininio pjūklo ašmenų 25AP:

Priveržkite pjūklo grandinę taip, kad tarpas tarp kreipimo juostos apatinio krašto vidurinės dalies ir pjūklo grandinės būtų maždaug 1–2 mm.

4. Prilaikydami kreipimo juostą, priveržkite žvaigždutes gaubtą.

Informacija dėl grandininio pjūklo ašmenų 90PX ir 91PX:

Įsitinkinkite, kad pjūklo grandinė nėra atsilaisvinusi apatinėje dalyje.

Informacija dėl grandininio pjūklo ašmenų 25AP:

Įsitinkinkite, kad tarpas tarp kreipimo juostos apatinio krašto vidurinės dalies ir pjūklo grandinės yra maždaug 1–2 mm.

5. Veržkite fiksuojamąjį veržlę, kad užtvirtintumėte žvaigždutes dangtelį.

▶ **Pav.15:** 1. Fiksuojamoji veržlė

Įsitinkinkite, kad pjūklo grandinė tvirtai priglundusi prie juostos apatinės pusės.

Dantuota atrama

Pasirenkamasis priedas

Pjaunant storas šakas, rekomenduojama naudoti dantuotą atramą. Jei norite sumontuoti dantuotą atramą, atlikite šiuos veiksmus.

1. Nuimkite žvaigždutes dangtelį, pjūklo grandinę ir kreipimo juostą.
2. Sulygiuokite dantuotos atramos angas su esančiomis ant grandininio pjūklo korpuso, tada gerai užveržkite varžtus.

▶ **Pav.16:** 1. Varžtas 2. Dantuota atrama

NAUDOJIMAS

Tepimas

Tuo metu, kai įrankis įjungtas, pjūklo grandinė tepama automatiškai. Per alyvos kiekio nustatymo langelį reguliariai tikrinkite, kiek bakelyje liko alyvos.

Norėdami pripildyti bakelį, paguldykite grandininį pjūklą ant šono ir nuimkite alyvos bakelio dangtelį. Tinkamas alyvos kiekis yra 140 ml. Pripildę bakelį, įsitinkinkite, kad jo dangtelis gerai prisuktas.

- ▶ **Pav.17:** 1. Alyvos bakelio dangtelis 2. Alyvos kiekio nustatymo langelis

Papildę, grandininį pjūklą laikykite toliau nuo medžio. Junkite jį ir laikite, kol pjūklo grandinė bus pakankamai sutepta.

► Pav.18

PASTABA: Pirmą kartą pripylus grandinės alyvos arba pakartotinai pripildant ištuštintą alyvos bakelį, pripilkite alyvos iki pildymo angos apatinio krašto. Kitaip bus blogiau tiekama alyva.

PASTABA: Naudokite tik „Makita“ grandininiam pjūklams skirtą arba tapačią alyvą, kurią galite įsigyti savo šalyje.

PASTABA: Niekada nenaudokite alyvos, kurioje yra dulkių ir dalelių, arba lakios alyvos.

PASTABA: Genėdami medžius, naudokite botaninį aliejų. Mineralinė alyva gali pažeisti medžius.

PASTABA: Prieš išpjaudami, įsitikinkite, kad alyvos bakelio dangtelis yra prisuktas.

GRANDININIO PJŪKLO NAUDOJIMAS

▲PERSPĖJIMAS: Pirmą kartą naudodamas pjūklą, naudotojas būtinai privalo jį išbandyti, pjaudamas rąstus ant ožio arba atramos malkoms pjauti.

▲PERSPĖJIMAS: Pjaudami pjautinę medieną, naudokite saugią atramą (ožį malkoms pjauti arba atramą). Neprispauskite ruošinio pėda ir neleiskite, kad jį laikytų arba paremtų kitas žmogus.

▲PERSPĖJIMAS: Įtvirtinkite apvalius ruošinius, kad jie nesisuktų.

▲PERSPĖJIMAS: Varikliui veikiant, grandininį pjūklą laikykite atokiau nuo kūno dalių.

▲PERSPĖJIMAS: Varikliui veikiant, grandininį pjūklą laikykite tvirtai abiem rankomis.

▲PERSPĖJIMAS: Nepersitempkite. Visuomet tvirtai stovėkite ant žemės, išlaikykite pusiausvyrą.

PASTABA: Niekada nenusieskite ar nenumeskite įrankio.

PASTABA: Neuždenkite įrankio ventilacijos angų.

Medžių genėjimas

Prieš įjungdami pjūklą, atremkite grandininio pjūklo korpusą į šaką, kurią pjausite. Antraip kreipimo juosta gali pradėti svirduliuoti ir sužeisti operatorių. Medį pjaukite leisdami jį žemyn, naudodami grandininio pjūklo svorį.

► Pav.19

Jeigu medžio negalima perpjauti vienu kirčiu: truputį paspauskite rankeną ir toliau pjaukite, truputį atitraukdami grandininį pjūklą atgal.

► Pav.20

Pjaudami storas šakas, pirmiausia įpjaukite jas iš apačios, tada baikite pjauti iš viršaus.

► Pav.21

Jeigu bandysite nupjauti storas šakas iš apačios, šaka gali susispausti ir sužnybti grandininį pjūklą pjūvyje. Jeigu bandysite nupjauti storas šakas iš viršaus, neatlikę nedidelio įpjovimo iš apačios, šaka gali atskilti.

► Pav.22

Medžių pjovimas rąstams

1. Atremkite grandininio pjūklo korpusą į pjautiną medį.

► Pav.23

2. Pjūklo grandinei veikiant, pjaukite medį, viršutinę rankeną naudodami pjūklui atkelti, o priekinę – jį valdyti.

3. Tęskite pjovimo darbus, truputį paspausdami viršutinę rankeną, lengvai atitraukdami pjūklą atgal.

PASTABA: Atlikę keletą pjūvių, išjunkite grandininį pjūklą tarp pjūvių.

▲PERSPĖJIMAS: Jeigu pjaunate viršutiniu pjovimo juostos kraštu, grandinei įstrigus, grandininį pjūklą gali atmesti į jus. Dėl šios priežasties pjaukite apatiniu kraštu, kad įstrigimo atveju pjūklas būtų nukreiptas šalin nuo jūsų kūno.

► Pav.24

Kai pjaunate įtemptą medį, pradžioje pjaukite įtemptą pusę (A). Tada atlikite paskutinį pjūvį, naudodami įtemptą pusę (B). Tai neleidžia pjovimo juostai įstrigti.

► Pav.25

Šakų genėjimas

▲PERSPĖJIMAS: Šakas genėti gali tik apmokytas asmenys. Pavojų kelia atatranks rizika.

Genėdami šakas, jeigu įmanoma, atremkite grandininį pjūklą į kamieną. Nepjaukite pjovimo juostos galu, nes kyla atatranks pavojus.

Saugokitės įtemptų šakų. Nepjaukite iš apačios neparemtų šakų. Genėdami šakas nestovėkite ant nukirsto kamieno.

Įrankio nešimas

Prieš nešdami įrankį, visada įjunkite grandinės stabdį ir iš įrankio išimkite akumulatoriaus kasetes. Tada uždėkite pjovimo juostos gaubtą. Akumulatoriaus kasetę taip pat įdėkite į akumulatoriaus dėklą.

► Pav.26: 1. Pjovimo juostos gaubtas
2. Akumulatoriaus dėklas

TECHNINĖ PRIEŽIŪRA

▲PERSPĖJIMAS: Visuomet įsitikinkite, ar įrankis yra išjungtas ir akumulatoriaus kasetė yra nuimta prieš atlikdami apžiūrą ir priežiūrą.

▲PERSPĖJIMAS: Atlikdami bet kokį patikrinimą arba techninės priežiūros darbus, visada mūvėkite pirštines.

PASTABA: Niekada nenaudokite gazolino, benzino, tirpiklio, spirito arba panašių medžiagų. Gali atsirasti išblukimų, deformacijų arba įtrūkimų.

Kad gaminys būtų SAUGUS ir PATIKIMAS, jį taisyti, apžiūrėti ar vykdyti bet kokią kitą priežiūrą ar derinimą turi įgaliotasis kompanijos „Makita“ techninės priežiūros centras; reikia naudoti tik kompanijos „Makita“ pagamintas atsargines dalis.

Pjūklo grandinės galandimas

Pjūklo grandinę galąškite, kai:

- pjaunant drėgną medieną, krenta miltų pavidalo pjūvenos;
- grandinė sunkiai skverbiasi į medieną, net ir stipriai spaudžiant;
- pjovimo kraštas yra aiškiai apgadintas;
- pjaunant medieną, pjūklas slenka kairėn arba dešinėn. (taip nutinka dėl nelygaus pjūklo grandinės išgalandimo arba tik vienos pusės apgadavimo)

Dažnai galąškite pjūklo grandinę, tačiau kiekvieną kartą nugaląškite tik šiek tiek. Dažnai galandant, paprastai pakanka dviejų ar trijų dildės brūkštelėjimų. Keletą kartų pagalandus pjūklo grandinę, ją reikėtų atiduoti į mūsų įgaliotąjį techninės priežiūros centrą, kad ją dar kartą pagaląštų.

Galandimo kriterijai:

⚠️ ĮSPĖJIMAS: Dėl pernelyg didelio atstumo tarp pjovimo krašto ir gylio ribotuvo padidėja atitranskos pavojus.

- ▶ **Pav.27:** 1. Pjovimo dantukų ilgis 2. Atstumas tarp pjovimo krašto ir gylio ribotuvo 3. Mažiausias pjaustytuvo ilgis (3 mm)
- Visų pjovimo dantukų ilgis privalo būti vienodas. Nevenodo ilgio pjovimo dantukai neleidžia pjūklo grandinei tolygiai sukstis, todėl grandinė gali nutūkti.
- Negaląškite grandinės, kai pjaustytuvo ilgis tapo 3 mm ar mažiau. Grandinę reikia pakeisti nauja.
- Narelis storis nustatomas pagal atstumą tarp gylio ribotuvo (apvali noselė) ir pjovimo dantuko krašto.
- Geriausių pjovimo rezultatų pasiekama, kai atstumas tarp pjovimo dantuko krašto ir gylio ribotuvo yra toks, kaip nurodyta toliau.
 - Grandininio pjūklo ašmenys 90PX: 0,65 mm
 - Grandininio pjūklo ašmenys 91PX: 0,65 mm
 - Grandininio pjūklo ašmenys 25AP: 0,65 mm
- ▶ **Pav.28**
- Visi pjovimo dantukai turi būti vienodai pagaląsti 30° kampu. Pjovimo dantukus pagalandus skirtingu kampu, kampo grandinė sukstis netolygiai ir nelygiai, ji greičiau susidėvės arba net nutūks.
- Naudokite tinkamą apvalią dildę, kad dantys būtų pagaląsti tinkamu kampu.
 - Grandininio pjūklo ašmenys 90PX: 55°
 - Grandininio pjūklo ašmenys 91PX: 55°
 - Grandininio pjūklo ašmenys 25AP: 55°

Dildė ir dildės valdymas

- Grandininio pjūklo grandinės galandimui naudokite specialią apvalią dildę (papildomas priedas). Įprastos apvalios dildės netinka.
- Toliau nurodyti kiekvienai pjūklo grandinei tinkamų apvalių dildžių skersmenys:

- Grandininio pjūklo ašmenys 90PX: 4,5 mm
- Grandininio pjūklo ašmenys 91PX: 4,0 mm
- Grandininio pjūklo ašmenys 25AP: 4,0 mm

- Dildė turi liesti pjovimo dantuką, tik braukiant ją į priekį. Atbulinio judesio metu atkelkite dildę nuo pjovimo dantuko.
- Pirmiausia pagaląškite trumpiausią pjovimo dantį. Šio trumpiausio pjovimo dantuko ilgis tampa šablonu, galandant visus kitus pjūklo grandinės pjovimo dantukus.
- Nukreipkite dildę taip, kai parodyta piešinyje.
- ▶ **Pav.29:** 1. Dildė 2. Pjūklo grandinė
- Dildę lengviau nukreipti, naudojant dildės laikiklį (papildomas priedas). Ant dildės laikiklio pažymėtas teisingas 30° galandimo kampas (sulygiuokite žymes lygiagrečiai su pjūklo grandine) ir prasi-skverbimo gylio ribos (4/5 dildės skersmens).
- ▶ **Pav.30:** 1. Dildės laikiklis
- Pagalandę grandinę, patikrinkite gylio ribotuvo aukštį, naudodami grandinės matavimo įrankį (papildomas priedas).
- ▶ **Pav.31**
- Specialia plokščia dilde (papildomas priedas) nuodilykite bet kokias išsikišusias dalis, kad ir kokios mažos jos būtų.
- Vėl užpalvinkite gylio ribotuvo priekines dalis.

Pjovimo juostos valymas

Atplaišos ir pjūvenos kaupsis pjovimo juostos griovelyje. Jos gali užkimšti juostos griovelį ir trukdyti tekėti alyvai. Kaskart galąsdami arba keisdami pjūklo grandinę, išvalykite šias atplaišas ir pjūvenas.

▶ Pav.32

Žvaigždutės gaubto valymas

Atplaišos ir pjūvenos kaupsis žvaigždutės gaubte. Nuimkite žvaigždutės gaubtą ir grandinę nuo įrankio, tada išvalykite atplaišas ir pjūvenas.

▶ Pav.33

Alyvos tiekimo angos valymas

Darbo metu alyvos tiekimo angoje gali susikaupti smulkių dalelių arba dulkių. Šios dulkės arba dalelės gali sutrikdyti paduodamos alyvos tekėjimą, todėl gali sutrikti visos pjūklo grandinės tepimas. Kai pjovimo juostos galas prastai tepamas grandinės tepimo alyva, išvalykite alyvos tiekimo angą tokiu būdu:

1. Nuimkite nuo įrankio žvaigždutės dangtelį ir pjūklo grandinę.
2. Pašalinkite smulkias daleles arba dulkes, naudodami ploną atsuktuvą su grioveliais arba panašų įrankį.
- ▶ **Pav.34:** 1. Atsuktuvas su grioveliais 2. Alyvos išleidimo anga
3. Įkiškite akumulatoriaus kasetę į įrankį. Patraukite svirtinį gaiduką, kad tekanti grandinės tepimo alyva pašalintų alyvos išleidimo angoje susikaupusias dulkes arba kietas daleles.
4. Ištraukite iš įrankio akumulatoriaus kasetę. Uždėkite ant įrankio žvaigždutės dangtelį ir pjūklo grandinę.

Pakeiskite žvaigždutę nauja

▲ PERSPĖJIMAS: Susidėvėjusi žvaigždutė sugadins naują pjūklo grandinę. Tokiu atveju žvaigždutę reikia pakeisti nauja.

Prieš pradėdami montuoti naują pjūklo grandinę, patikrinkite žvaigždutės būklę.

► **Pav.35:** 1. Žvaigždutė 2. Nusidėvinčios sritys

Keisdami žvaigždutę, visada įdėkite naują fiksavimo žiedą.

► **Pav.36:** 1. Fiksavimo žiedas 2. Žvaigždutė

PASTABA: Įsitinkinkite, kad žvaigždutė įdėta, kaip parodyta paveikslėlyje.

Įrankio saugojimas

1. Nuvalykite įrankį, prieš sandėliuodami. Nuėmę žvaigždutes gaubtą, nuvalykite nuo įrankio visas atplaišas ir pjuvenas.
2. Nuvalę įrankį, leiskite jam padirbti be apkrovos, kad būtų sutepta pjūklo grandinė ir pjovimo juosta.
3. Įmaukite pjovimo juostą į pjovimo juostos gaubtą.
4. Ištuštinkite alyvos talpyklą.

Nurodymai dėl periodinės techninės priežiūros

Norėdami užtikrinti ilgą įrenginio naudojimo laiką ir išvengti jo gedimų bei užtikrinti visišką jo saugos funkcijų veikimą, reguliariai atlikite toliau nurodytus techninės priežiūros darbus. Garantijos reikalavimai priimami tik tada, jeigu buvo reguliariai ir tinkamai atliekami šie darbai. Neatliekant nurodytų būtinų techninės priežiūros darbų, gali įvykti nelaimingų atsitikimų! Grandininio pjūklo naudotojui draudžiama atlikti šioje naudojimo instrukcijoje neaprašytus techninės priežiūros darbus. Visus šiuos darbus privalo atlikti mūsų įgaliotasis techninės priežiūros centras.

Tikrintinas elementas / veikimo laikas		Prieš darbą	Kasdien	Kas savaitę	Kas 3 mėnesius	Kasmet	Prieš dedant laikyti
Grandininis pjūklas	Patikrinimas.	✓	-	-	-	-	-
	Valymas.	-	✓	-	-	-	-
	Kreipkitės į įgaliotąjį techninės priežiūros centrą.	-	-	-	-	✓	✓
Pjūklo grandinė	Patikrinimas.	✓	-	-	-	-	-
	Jei reikia, galandimas.	-	-	-	-	-	✓
Pjovimo juosta	Patikrinimas.	✓	✓	-	-	-	-
	Nuimkite nuo grandininio pjūklo.	-	-	-	-	-	✓
Grandinės stabdys	Patikrinkite, kaip veikia.	✓	-	-	-	-	-
	Reguliariai tikrinkite įgaliotame techninės priežiūros centre.	-	-	-	✓	-	-
Grandinės tepimas	Patikrinkite alyvos tiekimo greitį.	✓	-	-	-	-	-
Gaidukas	Patikrinimas.	✓	-	-	-	-	-
Atlaisvinimo svirtelė	Patikrinimas.	✓	-	-	-	-	-
Alyvos bakelio dangtelis	Patikrinkite užveržimą.	✓	-	-	-	-	-
Grandinės gaudyklė	Patikrinimas.	-	-	✓	-	-	-
Sraigatai ir veržlės	Patikrinimas.	-	-	✓	-	-	-

GEDIMŲ ŠALINIMAS

Prieš kreipdamiesi dėl remonto darbų, pirmiausia patikrinkite gedimus patys. Kilus problemų, apie kurias nepaaiškinta vartotojo vadove, nemėginkite ardyti įrankio. Kreipkitės į įgaliotuosius „Makita“ techninės priežiūros centrus, kuriuose remontui visuomet naudojamos originalios „Makita“ keičiamosios dalys.

Trikties būseną	Priežastis	Veiksmas
Nepavyksta paleisti grandininio pjūklo.	Neįdėta akumuliatoriaus kasetė.	Įdėkite įkrautą akumuliatoriaus kasetę.
	Akumuliatoriaus problema (maža įtampa).	Įkraukite akumuliatoriaus kasetes. Jei įkrauti nepavyksta, akumuliatoriaus kasetę pakeiskite.
	Išjungtas pagrindinis maitinimo jungiklis.	Jei grandininis pjūklas nėra naudojamas tam tikrą laiką, jis išjungiamas automatiškai. Dar kartą paspauskite pagrindinį maitinimo jungiklį.
Nesisuka pjūklo grandinė.	Ijungtas grandinės stabdys.	Atleiskite grandinės stabdį.
Po trumpo naudojimo laikotarpio variklis nustoja veikęs.	Mažas akumuliatoriaus įkrovos lygis.	Įkraukite akumuliatoriaus kasetes. Jei įkrauti nepavyksta, akumuliatoriaus kasetę pakeiskite.
Ant grandinės nėra alyvos.	Tuščias alyvos bakelis.	Pripildykite alyvos bakelį.
	Nešvarus alyvos nukreipimo griovelis.	Išvalykite griovelį.
	Prastai tiekiamą alyva.	Reguliavimo sraigtu pakoreguokite tiekiamos alyvos kiekį.
Grandininis pjūklas nepasiekia didž. aps./min.	Akumuliatoriaus kasetė netinkamai įdėta.	Akumuliatoriaus kasetes įdėkite, kaip aprašyta šioje naudojimo instrukcijoje.
	Mažėja akumuliatoriaus galia.	Pakartotinai įkraukite akumuliatoriaus kasetę. Jei įkrauti nepavyksta, akumuliatoriaus kasetę pakeiskite.
	Netinkamai veikia pavaros sistema.	Dėl remonto darbų kreipkitės į regiono įgaliotąjį techninės priežiūros centrą.
Pagrindinė maitinimo lemputė žybsi žalia spalva.	Gaidukas paspaudžiamas neveikimo sąlygomis.	Paspaudę pagrindinį maitinimo jungiklį ir atleidę grandinės stabdį, paspauskite gaiduką.
Grandinė nesustoja, netgi įjungus grandinės stabdį: nedelsdami sustabdykite įrenginį!	Nusidėvėjęs stabdžio juosta.	Dėl remonto darbų kreipkitės į regiono įgaliotąjį techninės priežiūros centrą.
Neįprasta vibracija: nedelsdami sustabdykite įrenginį!	Atsilaisvinusi pjovimo juosta arba pjūklo grandinė.	Pareguliuokite pjovimo juostos arba pjūklo grandinės įtempimą.
	Įrankio triktis.	Dėl remonto darbų kreipkitės į regiono įgaliotąjį techninės priežiūros centrą.
Sukimo momento stiprinimo režimas prieinamas pakeitus akumuliatoriaus kasetę visiškai įkrauta.	Priklausomai nuo naudojimo sąlygų, sukimo momento stiprinimo režimas pakeičiamas akumuliatoriaus kasetę neprieinamas.	Įrankį naudokite įprastu režimu, kol įdėta akumuliatoriaus kasetė išsikraus, tada ją pakeiskite visiškai įkrauta arba įkraukite senąją iš naujo.

PASIRENKAMI PRIEDAI

▲ PERSPĖJIMAS: Šiuos papildomus priedus arba įtaisus rekomenduojama naudoti su šioje instrukcijoje nurodytu „Makita“ bendrovės įrankiu. Naudojant bet kokius kitus papildomus priedus arba įtaisus, gali kilti pavojus sužeisti žmones. Naudokite tik nurodytam tikslui skirtus papildomus priedus arba įtaisus.

Jei gu norite daugiau sužinoti apie tuos priedus, kreipkitės į artimiausią „Makita“ techninės priežiūros centrą.

- Pjūklo grandinė
- Pjovimo juosta
- Pjovimo juostos gaubtas
- Žvaigždutė

- Dantuota atrama
- Dildė
- Krepšys įrankiui
- Originalus „Makita“ akumuliatorius ir įkroviklis

▲ ĮSPĖJIMAS: Jei pirksite kitokio nei standartinę pjovimo juosta ilgio juostą, taip pat įsigykite tinkamą pjovimo juostos gaubtą. Jis turi užsidėti ir visiškai uždengti pjovimo juostą ant grandininio pjūklo.

PASTABA: Kai kurie sąraše esantys priedai gali būti pateikti įrankio pakuotėje kaip standartiniai priedai. Jie įvairiose šalyse gali skirtis.

TEHNILISED ANDMED

Mudel:		DUC204	DUC254	DUC254C
Üldpikkus (juhtlatita)		256 mm		
Nimipinge		Alalisvool 18 V		
Netokaal		2,8 – 3,3 kg		
Standardse juhtlati pikkus		200 mm	250 mm	
Soovitavad juhtlati pikkus	koos 90PX	200 – 250 mm		-
	koos 91PX	-	250 mm	-
	koos 25AP	-		250 mm
Sobiv saeketi tüüp (vt alljärgnevat tabelit)		90PX	90PX 91PX	25AP
Standardne ketiratas	Hammaste arv	6		9
	Samm	3/8"		1/4"
Keti kiirus		0 – 24 m/s (0 – 1 440 m/min)		0 – 22,5 m/s (0 – 1 350 m/min)
Ketiõli mahuti maht		140 cm ³		

- Meie pideva uuringu- ja arendusprogrammi tõttu võidakse tehnilisi andmeid muuta ilma sellest ette teatamata.
- Tehnilised andmed võivad riigiti erineda.
- Kaal võib erineda olenevalt lisaseadistest, kaasa arvatud akukassetist. Kergeim ja raskeim kombinatsioon EPTA-protseduuri 01/2014 kohaselt on toodud tabelis.

Sobiv akukasset

BL1815N / BL1820 / BL1820B / BL1830 / BL1830B / BL1840 / BL1840B / BL1850 / BL1850B / BL1860B

- Mõned eespool loetletud akukassetid ei pruugi olla teie riigis saadaval.

⚠ HOIATUS: Kasutage ainult ülalpool loetletud akukasseste. Muude akukassetide kasutamine võib tekitada vigastusi ja/või tulekahju.

Saeketi, juhtlati ja ketiratta kombinatsioon

Saeketi tüüp		90PX	
Veolülide arv		33	40
Juhtlatt	Juhtlati pikkus	200 mm	250 mm
	Lõikepikkus	180 mm	244 mm
	Samm	3/8"	
	Mõõdik	1,1 mm	
	Tüüp	Ketiratta otsa latt	
Ketiratas	Hammaste arv	6	
	Samm	3/8"	

Saeketi tüüp		91PX	
Veolülide arv		40	
Juhtlatt	Juhtlati pikkus	250 mm	
	Lõikepikkus	244 mm	
	Samm	3/8"	
	Mõõdik	1,3 mm	
	Tüüp	Ketiratta otsa latt	
Ketiratas	Hammaste arv	6	
	Samm	3/8"	

Sæketi tüüp		25AP
Veolülide arv		60
Juhtlatt	Juhtlati pikkus	250 mm
	Lõikepikkus	250 mm
	Samm	1/4"
	Mõõdik	1,3 mm
	Tüüp	Kumerlatt
Ketiratas	Hammaste arv	9
	Samm	1/4"

TÄHELEPANU: Kasutades 25AP sæketti, kasutage seda koos ketirattaga 9 (lisavarustus).

⚠ HOIATUS: Kasutage juhtlati ja sæketi sobivat kombinatsiooni. Muidu võib tulemuseks olla kehavigastus.

Sümbolid

Alljärgnevalt kirjeldatakse seadmetel kasutatavaid tingimärke. Veenduge, et olete nende tähendusest aru saanud enne seadme kasutamist.



Lugege juhendit.



Kandke kaitseprille.



Kasutage kõrvakaitsmeid.



Kandke kiivrit, kaitseprille ja kõrvakaitsmeid.



Kasutage sobivaid kaitsmeid käte ja jalgade kaitsmiseks.



See saag on ette nähtud kasutamiseks ainult vastava koolitusega kasutajatele.



Ärge jätke seadet niiskuse kätte.



Suurim lubatud lõikepikkus



Kettsaega töötamisel kasutage alati kahte kätt.



Keti liikumise suund



Sæketiõli reguleerimine



Ainult EL-i riikide puhul
Ärge visake elektriseadmeid ja akusid ära koos majapidamisjätmetega!
Vastavalt Euroopa Parlamendi ja Nõukogu direktiividele elektri- ja elektroonikaseadmete jätmete kohta ning patareide ja akude ning patareid- ja akujätmete kohta ning nende nõuete kohaldamisele liikmesriikides tuleb kasutuskõlbmatuks muutunud elektriseadmed ja akud koguda eraldi ning keskkonnasaastlikult korduv kasutada või ringlusse võtta.

Kavandatud kasutus

See seade on mõeldud okste lõikamiseks ja puude pügamiseks. See sobib ka puuhooldustöödeks.

Müra

Tüüpiline A-korrigeeritud müratase, määratud standardi IEC62841-4-1 kohaselt:

Mudel DUC204

Helirõhutase (L_{pA}): 92,2 dB (A)
Helivõimsuse tase (L_{WA}): 103,2 dB (A)
Määramatus (K): 2,5 dB (A)

Mudel DUC254

Helirõhutase (L_{pA}): 92,2 dB (A)
Helivõimsuse tase (L_{WA}): 103,2 dB (A)
Määramatus (K): 2,5 dB (A)

Mudel DUC254C

Helirõhutase (L_{pA}): 92,2 dB (A)
Helivõimsuse tase (L_{WA}): 103,2 dB (A)
Määramatus (K): 2,5 dB (A)

⚠ HOIATUS: Kasutage kõrvakaitsmeid.

Vibratsioon

Vibratsiooni koguväärtus (kolmeteljeliste vektorite summa) määratud standardi IEC62841-4-1 kohaselt:

Mudel DUC204

Töörežiim: puidu saagimine
Vibratsiooniheide ($a_{h,W}$): 3,1 m/s²
Määramatus (K): 1,5 m/s²

Mudel DUC254

Töörežiim: puidu saagimine
Vibratsiooniheide ($a_{h,W}$): 3,1 m/s²
Määramatus (K): 1,5 m/s²

Mudel DUC254C

Töörežiim: puidu saagimine
Vibratsiooniheide ($a_{h,W}$): 4,1 m/s²
Määramatus (K): 1,5 m/s²

MÄRKUS: Deklareeritud vibratsiooniheite väärtus on mõeldud kooskõlas standardse testimismeetodiga ning seda võib kasutada ühe seadme võrdlemiseks teisega.

MÄRKUS: Deklareeritud vibratsiooniheite väärtust võib kasutada ka mürataseme esmaseks hindamiseks.

⚠️HOIATUS: Vibratsioonitase võib elektritööriista tegelikuses kasutamise ajal erineva deklareeritud väärtusest olenevalt tööriista kasutamise viisidest.

⚠️HOIATUS: Rakendage operaatori kaitsmiseks kindlasti piisavaid ohutusabinõusid, mis põhinevad hinnangulisel müratasemel tegelikus töösituatsioonis (võttes arvesse tööperioodi kõiki osasid, nagu näiteks korrad, kui seade lülitatakse välja ja seade töötab tühikäigul, lisaks tööajale).

EÜ vastavusdeklaratsioon

Ainult Euroopa riikide puhul

EÜ vastavusdeklaratsioon sisaldub käesoleva juhendi Lisas A.

OHUTUSHOIATUSED

Üldised elektritööriistade ohutusohiatused

⚠️HOIATUS: Lugege läbi kõik selle elektritööriista kaasas olevad ohutusohiatused, juhised, joonised ja tehnilised andmed. Järgnevate juhiste eiramine võib põhjustada elektrilöögi, süttimise ja/või raske kehavigastuse.

Hoidke edaspidisteks viide- teks alles kõik hoiatused ja juhtnõõrid.

Hoiatuses kasutatud termini „elektritööriist“ all peetakse silmas elektriga töötavaid (juhtmega) elektritööriistu või akuga töötavaid (juhtmeta) elektritööriistu.

Juhtmeta mootorsae ohutusnõuded

1. **Hoidke kõik kehaosad mootorsaeast selle töö ajal eemal. Enne mootorsae käivitamist veenduge, et saag ei puutuks millegagi kokku.** Hetkeline tähelepanematus mootorsaeaga töötamise ajal võib põhjustada teie riiete või keha takerdumist saeketti.
2. **Hoidke kettsaagi alati parema käega ülemisest käepidemest ja vasaku käega esimesest käepidemest.** Kettsae hoidmine vastupidise käte asetusena suurendab kehavigastuse ohtu ja nii ei tohi kunagi teha.
3. **Hoidke elektritööriista ainult isoleeritud haardepindadest, sest saekett võib sattuda kokkupuutesse varjatud juhtmetega.** Pingestatud juhtmega kokkupuutesse sattunud saeketid võivad pingestada elektritööriista metalloosi, mille tagajärjel võib seadme kasutaja saada elektrilöögi.
4. **Kasutage kaitseprille ja kuulmiskaitsemeid.** Soovitav on ka peale, kätele, säärele ja jalalabadele mõeldud kaitsevarustus. Vastav kaitseriie- tus vähendab vigastuste ohtu juhuslikul kokkupuutel lendleva rusu või mootorsaeaga.
5. **Tagage alati kindel jalgealune.**

6. **Pingul oleva puuharu löikamisel olge valvas tagasilöögi suhtes.** Kui pinge puu kiududes vabaneb, võib pingul olnud oks operaatorit ootamatult tabada ja/või sae kontrolli alt välja lüüa.
7. **Olge eriti ettevaatlik võsa ja noorte puude saagimisel.** Õhuke materjal võib kergesti puruneda ja piitsana teie poole lennata või teid tasakaalust välja lüüa.
8. **Kandke mootorsaa- ja väljalülitatult esikäepidemest ning oma keha- ja eemal hoides. Mootorsae transportimisel või hoiundamisel pange alati juhtlatile kate peale.** Mootorsae korrektne käsitsemine vähendab kokkupuute tõenäosust liikuva saekettaga. Hoidke kõik kehaosad lõiketerast eemal.
9. **Järgige õlitamist, keti pingutamist ja lisatarvikute vahetamist puudutavaid juhiseid.** Valesti pingutatud või õlitatud kett võib puruneda või suurendada tagasilöögi ohtu.
10. **Hoidke käed kuivad, puhtad ning õli- ja rasvavabad.** Rasvased ja õlised käepidemed on libedad ja võivad põhjustada kontrolli kaotamist sae üle.
11. **Lõigake ainult puitu. Ärge kasutage mootorsaa- gile selleks mitte mõeldud eesmärkidel.** Näiteks ärge kasutage mootorsaa- gile plastmassi, kivi või mitte puidust ehitusmaterjalide löikamiseks. Mootorsae kasutamine selleks mitte ettenähtud tööde tegemiseks võib tekitada ohtliku olukorra.
12. **Tagasilöögi põhjuste ja operaatori tegevuse selle vältimiseks.** Tagasilöökk võib ette tulla juhtlati otsa või tera kokkupuutel esemega või kui puit hakkab lähene- ma ja tõmbab saeketi löikekohta. Tera kokkupuude võib mõnel juhul põhjustada äkilise vastupidise reaktsiooni, lüües juhtlati üles ja tagasi operaatori suunas. Saeketi tõmbamine mööda juhtlati tera võib tüügata juhtlati kiiresti tagasi operaatori suunas. Kõik need reaktsioonid võivad põhjustada kontrolli kaotamist mootorsae üle, mis võib tekitada tõsi- seid vigastusi. Ärge loote ainult sae sisseehitatud ohutusseadmetele. Mootorsae kasutajana peaksite võtma kasutusele mitmed abinõud, et vältida oma lõiketöödes õnnetusi ja vigastusi. Tagasilöökk tuleneb tööriista vales kasutamisest ja/või ebakorrektestest tööprotseduuridest või -tingimustest ning on välditav allpool loetletud vas- tavate ettevaatusabinõude kasutusele võtmisega.

- Säilitage tugev haare, hoides mõlema käe pöialde ja näppudega mootorsae käepide- meid ning sättige oma keha ja käsi nii, et suudaksite vastu panna tagasilöögi jõule. Vastavaid ettevaatusabinõusid kasutusele võttes on operaatoril võimalik kontrollida tagasilöögi jõudu. Ärge laske mootorsaeast lahti.

► Joon.1

- Ärge küünitage saagimisel liiga ette ega saage õlakõrgusest kõrgemalt. Sel moel väldite soovimatuid kokkupuuteid saeteraga ja suudate mootorsaa- gile ootamatutes situat- sioonides paremini kontrolli all hoida.
- Kasutage ainult tootja poolt lubatud tagava- rarehiti ja -kette. Ebaõiged tagavaralehed ja -ketid võivad põhjustada keti purunemist ja/ või anda tagasilöögi.

- Järgige tootja juhiseid kettsae teritamise ja hoolduse kohta. Lõikesügavuse kõrguse vähendamine võib põhjustada suuremat tagasilööki.

13. **Enne töö alustamist kontrollige, kas kettsaag on töökorras ja kas selle seisund vastab ohutuseeskirjade nõuetele. Kontrollige eriti, kas:**
 - kettipidur töötab õigesti;
 - mahakäigupidur töötab õigesti;
 - juhtlati- ja ketikate on õigesti paigaldatud;
 - kett on teritatud ja pingutatud vastavalt eskirjadele.
14. **Ärge käivitage kettsaagi, kui ketikate on peal.** Kui käivitate kettsaagi, mille ketikate on peal, võib ketikate selle tulemusena paiskuda ettepoole, põhjustades vigastusi ja kahjustades operaatori läheduses olevaid objekte.

Ülemise käepidemega kettsae ohutushoiatused

1. **Kettsaag on ette nähtud eelkõige puuhooldustöödeks ja puukirurgiaks. Kettsaag on ette nähtud kasutamiseks ainult vastava väljaõppega isikutele. Järgige kõiki asjaomase professionaalse ettevõtte juhiseid, toiminguid ja soovitusi. Muidu võivad esineda eluohtlikud õnnetusjuhtumid. Soovitav on kasutada puude saagimisel alati sobivat tõsteplatvormi (korvtõstukit, muud asjakohast tõstukit). Kõie abil laskumised on äärmiselt ohtlikud ja nõuavad eriväljaõpet. Töötajad peavad olema saanud ohutusseadmete kasutamise ja ronimistehnika vallas asjakohase väljaõppe. Kasutage puude otsas töötamise ajal alati sobivaid võõsid, kõisi ja karabiine. Kasutage nii sae kui ka töötaja puhul alati tõkestavat varustust.**
2. **Enne hoiule panemist puhastage ja hooldage kasutusjuhendi kohaselt.**
3. **Sõidukiga transportimisel tagage kettsae kindel asend, et vältida kütuse- või ketiõli leket, tööriista kahjustamist ja kehavigastust.**
4. **Kontrollige regulaarselt ketipiduri toimimist.**
5. **Ärge lisage ketiõli lahtise tule läheduses. Ärge suitsetage ketiõli lisamise ajal.**
6. **Riiklikud õigusnormid võivad seada piiranguid kettsae kasutamisele.**
7. **Kui seade saab tugeva löögi või kukub maha, siis kontrollige enne töö jätkamist selle seisukorda. Kontrollige, kas juht- ja kaitseadised on töökorras. Kahjustuste või kahtluste korral laske volitatud hoolduskeskusel seadet kontrollida ja parandada.**
8. **Enne kettsae käivitamist aktiveerige alati ketipidur.**
9. **Hoidke saagi kindlalt kohal, et vältida sae uisutamist (libisevat liikumist) või tagasi pörkamist lõikamise alustamisel.**
10. **Lõikamise lõpetamisel olge ettevaatlik, et hoida enda tasakaalu oksa kukkumise ajal.**
11. **Jälgige tuule suunda ja kiirust. Vältige kontakti saepuru ja ketiõli uduga.**

Kaitsevahendid

1. **Saagimise ajal pea, silmade, käte, jalgade või kuulmisorganite vigastuste vältimiseks tuleb mootorsaaga töötamise ajal kasutada järgmist kaitsevarustust.**
 - Riietus peab olema otstarbekohane, s.t liibuv, aga mitte liikumist takistav. Ärge kandke töötamise ajal eteide ega riideid, mis võivad takerduda pöösaste külge. Kui teil on pikad juuksed, kasutage alati juuksevärku!
 - Kettsaaga töötamisel tuleb alati kanda kaitsekiivrit. Kontrollige regulaarselt, et **kaitsekiiver** oleks terve, ja vahetage seda vähemalt iga 5 aasta järel. Kasutage ainult heakskiidetud kaitsekiivreid.
 - Kiivri **näokaitse** (või kaitseprillid) kaitseb saepuru ja puidutükide eest. Silmade kaitsemiseks peab mootorsaaga töötamisel kasutama alati kaitseprille või näokaitset.
 - Kandke sobivaid **kuulmiskaitsevahendeid** (kõrvaklapid, -trepid jms).
 - **Kaitseülikond** koosneb 22 nailonikihist ja kaitseb töötajat sisselõigete eest. Seda tuleks kanda alati töötamisel ülestõstetud platvormidel (korv- ja muud tõstukid), redelile külge monteeritud platvormidel või ronimisel nõõridega.
 - Lõikevigastuste eest kaitseb **kaitsekomibinesoon**, mis on valmistatud 22-kihilisest nailonkangast. Soovitame seda tungivalt kasutada.
 - Spetsiaalsed paksust nahast valmistatud **kaitsekindad** on osa ettenähtud varustusest, mida tuleks kettsaaga töötamisel alati kanda.
 - Kettsaaga töötamisel peab kandma libise-miskindla talla ja terasest ninakapiga **kaitsejalatsid** või **-saapaid** ning säärekaitsmeid. Spetsiaalse kaitsevoodriga jalatsid kaitsevad lõikevigastuste eest ja aitavad tasakaalu hoida. Puu otsas töötamise korral peavad kaitsejalatsid sobima ronimiseks.

Vibratsioon

1. Vereringehäiretega isikutel, kes on jäänud liigse vibratsiooni mõju alla, võib esineda veresoonekonna või närvisüsteemi kahjustus. Vibratsioon võib põhjustada sõrmedes, kätes või randmetes järgmisi sümptomeid: „Ärasuremine“ (tuimus/tundetud), kihelemine, valu, torkava valu aisting, naha värvuse või naha muutused. **Kui teil esineb mõni nimetatud sümptomitest, siis pöörduge arsti poole.** Valgesõrmsuse tekkimise riski vähendamiseks hoidke sae kasutamise ajal oma käed soojas ning hooldage varustust ja lisatarvikuid.

HOIDKE JUHEND ALLES.

⚠ HOIATUS: ÄRGE UNUSTAGE järgida toote ohutusnõudeid mugavuse või toote (korduskasutamise) saavutatud hea tundmise tõttu. VALE KASUTUS või kasutusjuhendi ohutuseeskirjade eiramine võib põhjustada tervisekahjustusi.

Akukassetiga seotud olulised ohutusjuhised

1. Enne akukassetti kasutamist lugege (1) akulaadidajal, (2) akul ja (3) seadmel olevad juhtnõidid ja hoiatused läbi.
2. Ärge võtke akukassetti lahti.
3. Kui tööaeg järsult lüheneb, siis lõpetage kohe kasutamine. Edasise kasutamise tulemuseks võib olla ülekuumenemisoht, võimalikud põletused või isegi plahvatus.
4. Kui elektroliit satub silma, siis loputage silma puhta veega ja pöörduge koheselt arsti poole. Selline õnnetus võib põhjustada pimedaksjäämist.
5. Ärge tekitage akukassetis lühist:
 - (1) Ärge puutuge klemme elektrijuhtidega.
 - (2) Ärge hoidke akukassetti tööriistakastis koos metallesemetega, nagu naelad, mündid jne.
 - (3) Ärge tehke akukassetti märjaks ega jätke seda vihma kätte.Aku lühis võib põhjustada tugevat elektrivoolu, ülekuumenemist, põletusi ning ka seadet tõsiselt kahjustada.
6. Ärge hoidke tööriista ja akukassetti kohtades, kus temperatuur võib tõusta üle 50 °C.
7. Ärge põletage akukassetti isegi siis, kui see on saanud tõsiselt vigastada või on täiesti kurnunud. Akukassett võib tules plahvatada.
8. Olge ettevaatlik, ärge laske akul maha kukkuda ja vältige lööke.
9. Ärge kasutage kahjustatud akut.

10. Sisalduvatele liitium-ioonakudele võivad kohalduda ohtlike kaupade õigusaktide nõuded. Kaubanduslikul transportimisel, näiteks kolmanda poolte või transpordiettevõtete poolt, tuleb järgida pakendil ja sihtidel toodud erinõudeid. Transportimiseks ettevalmistamisel on vajalik pidada nõu ohtliku materjali ekspertidega. Samuti tuleb järgida võimalike riiklike regulatsioonide üksikasjalikumaid nõudeid. Katke teibiga või varjake avatud kontaktid ja pakendage aku selliselt, et see ei saaks pakendis liikuda.
11. Järgige kasutuskõlbatuks muutunud aku käitlemisel kohalikke eeskirju.
12. Kasutage akusid ainult Makita heaks kiidetud toodetega. Akude paigaldamine selleks mitte ettenähtud toodetele võib põhjustada süttimist, ülemäärast kuumust, plahvatamist või elektroliidi lekkimist.

HOIDKE JUHEND ALLES.

⚠ETTEVAATUST: Kasutage ainult Makita originaalakusid. Mitte Makita originaalakude või muudetud akude kasutamine võib põhjustada akude süttimise, kehavigastuse ja kahjustuse. Samuti muudab see kehtetuks Makita tööriista ja laadija Makita garantii.

Vihjeid aku maksimaalse kasutaja tagamise kohta

1. Laadige akukassetti enne selle täielikku tühjenemist. Kui märkate, et tööriist töötab väiksema võimsusega, peatage töö ja laadige akukassetti.
2. Ärge laadige täielikult laetud akukassetti. Ülelaadimine lühendab akude kasutusiga.
3. Laadige akukassetti toatemperatuuril 10 °C - 40 °C. Enne laadimist laske kuumenenud akukassetil maha jahtuda.
4. Kui te ei kasuta akukassetti kauem kui kuus kuud, laadige see.

OSADE KIRJELDUS

► Joon.2

1	Lüliti päästik	2	Ülemine käepide	3	Lukust avamise hoob
4	Eesmine käekaitse	5	Juhtlatt	6	Saekett
7	Ketipüüdja	8	Kinnitusmutter	9	Keti reguleerimiskruvi
10	Laastujuhk	11	Akukassett	12	Toitelamp
13	Toitelüliti	14	Reguleerimiskruvi (õlipumbale)	15	Karabiin
16	Eesmine käepide	17	Õlipaagi kork	18	Juhtlati kate

FUNKSIONAALNE KIRJELDUS

⚠ETTEVAATUST: Kandke alati hoolt selle eest, et tööriist oleks enne reguleerimist ja kontrollimist välja lülitatud ja akukassett eemaldatud.

Akukasseti paigaldamine või eemaldamine

⚠ETTEVAATUST: Lülitage tööriist alati enne akukasseti paigaldamist või eemaldamist välja.

⚠ETTEVAATUST: Akukasseti paigaldamisel või eemaldamisel tuleb tööriista ja akukassetti kindlalt paigal hoida. Kui tööriista ja akukassetti ei hoita kindlalt paigal, võivad need käest libiseda ning kahjustada tööriista ja akukassetti või põhjustada kehavigastusi.

► **Joon.3:** 1. Punane näidik 2. Nupp 3. Akukassett

Akukasseti eemaldamiseks libistage see tööriista küljest lahti, vajutades kasseti esiküljel paiknevat nuppu alla.

Akukasseti paigaldamiseks joondage akukasseti keel korpuse soonega ja libistage kassett oma kohale. Paigaldage akuadapter alati nii kaugele, et see lukustuks klõpsatusega oma kohale. Kui näete nupu ülaosas punast osa, pole kassett täielikult lukustunud.

⚠ETTEVAATUST: Paigaldage akukassett alati täies ulatuses nii, et punast osa ei jääks näha. Muidu võib adapter juhuslikult tööriistast välja kukkuda ning põhjustada teile või läheduses viibivatele isikutele vigastusi.

















⚠ETTEVAATUST: Ärge rakendage akukasseti paigaldamisel jõudu. Kui kassett ei lähe kergesti sisse, pole see õigesti paigaldatud.

Aku jääkmahutavuse näit

Ainult näidikuga akukassettidele

► **Joon.4:** 1. Märkulambid 2. Kontrollimise nupp

Akukasseti järelejäänud mahutavuse kontrollimiseks vajutage kontrollimise nuppu. Märkulambid süttivad mõneks sekundiks.

Märkulambid			Jääkmahutavus
 Põleb	 Ei põle	 Vilgub	
			75 - 100%
			50 - 75%
			25 - 50%
			0 - 25%
			Laadige akut.
			Akul võib olla tõrge.
			

MÄRKUS: Näidatud mahutavus võib veidi erineda tegelikust mahutavusest olenevalt kasutustingimustest ja ümbritseva keskkonna temperatuurist.

Tööriista/aku kaitsesüsteem

Tööriist on varustatud tööriista või aku kaitsesüsteemiga. Süsteem lülitab mootori automaatselt välja, et pikendada tööriista ja aku tööiga. Tööriist seiskub käitamise ajal automaatselt, kui tööriista või aku kohta kehtib üks järgmistest tingimustest.

Ülekoormuskaitse

Kui akut kasutatakse viisil, mis põhjustab ebanormaalselt kõrget voolutaset, siis seiskub tööriist automaatselt ja teite märgutuli vilgub roheliselt. Sellisel juhul lülitage tööriist välja ja lõpetage töö, mis põhjustas tööriista ülekoormuse. Pärast seda käivitage tööriist uuesti.

Ülekuumenemiskaitse

Kui tööriist või aku on ülekuumenenud, seiskub tööriist automaatselt ja teite märgutuli süttib punaselt. Laske sellisel juhul tööriistal ja akul enne tööriista uuesti sisselülitamist jahtuda.

MÄRKUS: Kõrge temperatuuriga keskkonnas hakkab tööriista ülekülmisele tööle ülekuumenemise kaitse ja tööriist peatub automaatselt.

Ülelaadimiskaitse

Kui aku jääkmahtuvus pole piisav, seiskub tööriist automaatselt ja peamine teite märgutuli vilgub punaselt. Sellisel juhul eemaldage aku tööriistast ja laadige akut.

Toitelüliti

⚠HOIATUS: Kui seadet ei kasutata, lülitage toitelüliti alati välja.

Tööriista käivitamiseks vajutage toitenuppu, kuni toitelamp süttib roheliselt. Väljalülitamiseks vajutage toitenuppu uuesti.

► **Joon.5:** 1. Toite märgutuli 2. Toitelüliti

MÄRKUS: Lülitit päästiku vajutamisel mittekasutatavates olukordades vilgub toitelamp roheliselt. Lamp vilgub ühel järgmistest tingimustest:

- kui lülitate toitelüliti sisse, hoides samal ajal all lahtilukustuse hooba ja lüliti päästikut;
- kui te tõmbate ketipiduri rakendamisel lüliti päästikut;
- kui te vabastate ketipiduri, hoides samal ajal all lahtilukustuse hooba ja tõmmates lüliti päästikut.

MÄRKUS: Sel kettsael on automaatse väljalülitamise funktsioon. Juhusliku käivitamise vältimiseks lülitub toitelüliti automaatselt välja, kui lüliti päästikut ei ole toitelüliti sisselülitamise järel teatud aja jooksul vajutatud.

Torque Boosti (põrdemomendi suurendamise) režiimis saate tööriista kasutada jämedate ja kõvade okste lõikamiseks. Tööriista kasutamiseks Torque Boosti režiimis, kui tööriist on välja lülitatud, vajutage mõne sekundi jooksul toitenuppu, kuni toitelamp hakkab kollaselt põlema.

MÄRKUS: Tööriista saate kasutada Torque Boosti režiimis kuni 30 sekundit. Olenevalt kasutustingimustest läheb see režiim 30 sekundi pärast tagasi tavarežiimile.

MÄRKUS: Kui vajutate mõne sekundi jooksul toitenuppu ja toiteluli hakkab kollaselt vilkuma, siis ei ole Torque Boosti režiim saadaval. Sellisel juhul tegutsege järgmiselt.

- Torque Boosti režiimi ei ole kohe pärast lõikamist võimalik kasutada. Oodake üle 10 sekundi ja vajutage seejärel taas toitenuppu.
- Kui kasutate Torque Boosti režiimi mitu korda, on Torque Boosti režiimi kasutamine aku kaitsmiseks piiratud. Kui Torque Boosti režiim pole pärast 10-sekundilist ooteaega endiselt saadaval, vahetage akukassett täielikult laetud akukasseti vastu või laadige akukassett täis.

MÄRKUS: Kui toitelamp süttib punaselt või vilgub punaselt või roheliselt, vaadake tööriista / aku kaitsesüsteemi juhiseid.

MÄRKUS: Torque Boosti režiimi ei saa kasutada, kui on paigaldatud akukassetid BL1815N, BL1820 või BL1820B.

Lüliti funktsioneerimine

⚠️HOIATUS: Ohutuse huvides on sellel tööriistal lukust avamise hoob, mis hoiab ära tööriista ootamatu käivitumise. **ÄRGE KUNAGI** kasutage tööriista, kui see hakkab tööle lihtsalt lüliti päästiku tõmbamisel, lukust avamise hooba vajutamata. **ENNE** edasist kasutamist viige masin parandamiseks volitatud teeninduskeskusesse.

⚠️HOIATUS: ÄRGE KUNAGI teipige lahtilukustuse hooba kinni ega üritage selle funktsiooni blokeerida.

⚠️ETTEVAATUST: Kontrollige alati enne akukasseti tööriista külge paigaldamist, kas lüliti päästik funktsioneerib nõuetekohaselt ja liigub lahtilaskmisel tagasi väljalülitatud asendisse.

TÄHELEPANU: Ärge tõmmake lüliti päästikut jõuga ilma lahtilukustuse hooba vajutamata. See võib põhjustada lüliti purunemise.

Lüliti päästiku juhusliku vajutamise vältimiseks on tööriistal lukust avamise hoob. Tööriista käivitamiseks vajutage alla lukust avamise hoob ja vajutage lüliti päästikut. Tööriista kiirus kasvab, kui suurendate survet lüliti päästikule. Seiskamiseks vabastage lüliti päästik.
▶ **Joon.6:** 1. Lüliti päästik 2. Lukust avamise hoob

Ketipiduri kontrollimine

⚠️ETTEVAATUST: Hoidke kettsaagi sisselülitamise ajal mõlema käega. Hoidke parema käega ülemisest käepidemest ja vasaku käega eesmisest käepidemest. Latt ja kett ei tohi ühegi eseme vastu puutuda.

⚠️ETTEVAATUST: Kui saekett selle testi läbiviimisel silmapilkselt ei peatu, ei tohi saagi mitte mingil tingimusel kasutada. Pöörduge volitatud teeninduskeskuse poole.

1. Tõmmake lukust avamise hooba ja siis vajutage lüliti päästikut. Saekett käivitub silmapilkselt.

2. Vajutage eesmist katekaitset käeselja abil ettepoole. Kontrollige, kas saekett jääb kohe seisma.

▶ **Joon.7:** 1. Eesmine käekaitse 2. Lukustamata asend 3. Lukustatud asend

Mahakäigupiduri kontrollimine

⚠️ETTEVAATUST: Kui saekett ei peatu kahe sekundi jooksul, lõpetage kettsae kasutamine ja konsulteerige volitatud teeninduskeskusega.

Käivitage kettsaag, seejärel vabastage täielikult lüliti päästik. Saekett peab kahe sekundi jooksul seiskuma.

Keti määrimise reguleerimine

Õlipumba etteandekiirust saab reguleerida universaalse mutrivõtme abil reguleerimiskruviga. Õlikogust saab reguleerida kolmes etapis.

▶ **Joon.8:** 1. Reguleerimiskruvi

Karabiin (rihma kinnituspunkt)

Tööriista saate riputada, kui kinnitate karabiinile rihma. Tõmmake karabiin üles ja ühendage see rihmaga.

Elektroniline funktsioon

Tööriist on varustatud lihtsama kasutamise jaoks elektrooniliste funktsioonidega.

- Sujuvkäivituse
Sujuvkäivituse funktsioon minimeerib käivitamisel tagasilööki ja võimaldab tööriistal sujuvalt käivituda.

KOKKUPANEK

⚠️ETTEVAATUST: Kandke alati hoolt selle eest, et tööriist oleks enne igasuguseid hooldustöid välja lülitatud ja akukassett eemaldatud.

⚠️ETTEVAATUST: Ärge puudutage saeketti paljaste kätega. Kandke saeketi käsitlemisel alati kaitsekindaid.

Saeketi eemaldamine või paigaldamine

⚠️ETTEVAATUST: Pärast töötamist on saekett ja juhtlatt endiselt kuumad. Enne mis tahes tööde teostamist tööriistal laske nendel piisavalt maha jahtuda.

⚠️ETTEVAATUST: Paigaldage ja eemaldage saekett alati puhtas kohas, kus ei ole saepuru ega midagi muud sarnast.

Saeketi eemaldamiseks toimige järgmiselt.

1. Vabastage ketipidur, tõmmates eesmist käekaitset.
2. Keerake lahti keti reguleerimiskruvi ja seejärel kinnitusmutter.
► **Joon.9:** 1. Ketit reguleerimiskruvi 2. Kinnitusmutter

3. Eemaldage ketiratta kate; seejärel eemaldage kettsae korpusest saekett ja juhtlatti.

Saeketi paigaldamiseks toimige järgmiselt.

1. Kontrollige saeketi suunda. Saeketi suund peab vastama kettsae korpusel olevale märgile.
2. Asetage saeketi üks ots juhtlatti tippu.
3. Paigaldage saeketi teine ots ketiratta ümber, seejärel ühendage juhtlatti kettsae korpusega, joondades juhtlatti ava kettsae korpusel oleva tihvtiga.
► **Joon.10:** 1. Ketiratas 2. Ava
4. Sisestage ketiratta kate eenduv osa kettsae korpusesse ja sulgege kate nii, et kettsae polt ja tihvtid vastaksid kattes olevatele vastetele.
► **Joon.11:** 1. Eenduv osa 2. Ketiratta kate 3. Polt 4. Tihvt
5. Keerake kinnitusmutrit, et kinnitada ketiratta kate, seejärel lõdvendage pinget reguleerimiseks.
► **Joon.12:** 1. Kinnitusmutter

Saeketi pingsuse reguleerimine

⚠ETTEVAATUST: Ärge saeketti üle pingutage. Saeketi liigne pingsus võib põhjustada saeketi purunemise, juhtlatti kulumise ja regulaatorketta purunemise.

⚠ETTEVAATUST: Liiga lõtv kett võib latil maha tulla ja põhjustada kehavigastusega õnnetusjuhtumi.

Tundidepikkuse kasutamise järel võib saekett lõdvendada. Enne kasutamist kontrollige aeg-ajalt saeketi pingust.

1. Vabastage ketipidur, tõmmates eesmist käekaitset.
2. Vabastage veidi kinnitusmutrit, et vabastada veidi ketiratta kate.
► **Joon.13:** 1. Kinnitusmutter
3. Tõmmake kergelt juhtlatti otsa ja reguleerige keti pingust. Pingutamiseks keerake keti reguleerimiskruvi päripäeva ja vabastamiseks keerake seda vastupäeva.

Saeterad 90PX ja 91PX.

Pingutage saeketti, kuni saeketi alumine külg asetub juhtlatti juhikusse, nagu on näidatud.

- **Joon.14:** 1. Juhtlatti 2. Saekett 3. Ketit reguleerimiskruvi

Saetera 25AP.

Pingutage saeketti nii, et vahe juhtlatti alumise osa keskpunkti ja saeketi vahel oleks ligikaudu 1 mm kuni 2 mm.

4. Jätke juhtlatti kergelt toetamist ning pingutage ketiratta kate.

Saeterad 90PX ja 91PX.

Veenduge, et saekett ei paikneks alumisel küljel lõdvalt.

Saetera 25AP.

Veenduge, et vahe juhtlatti alumise osa keskpunkti ja saeketi vahel oleks ligikaudu 1 mm kuni 2 mm.

5. Ketiratta kate kinnitamiseks keerake kinnitusmutrit kinni.

- **Joon.15:** 1. Kinnitusmutter

Veenduge, et saekett asetuks tihedalt vastu juhtlatti alumist külge.

Terakaitse

Lisatarvik

Jämedate oksade lõikamisel soovitate kasutada hambulist tugirauda. Hambulise tugiraua paigaldamiseks tehke järgmised toimingud.

1. Eemaldage tööriistalt ketiratta kate, saekett ja juhtlatti.
2. Seadke hambulise tugiraua avad kettsae korpuse avadega ja kinnitage kindlalt kruvid.
► **Joon.16:** 1. Kruvi 2. Terakaitse

TÖÖRIISTA KASUTAMINE

Õlitamine

Saeketti õlitatakse tööriista kasutamise ajal automaatselt. Kontrollige regulaarselt õlipaagis allesoleva õli kogust õlikontrolli avast.

Paagi täitmiseks asetage saekett küljele ja eemaldage õlipaagi kork. Õige õlikogus on 140 ml. Pärast paagi täitmist veenduge, et paagi kork oleks korralikult kinni.
► **Joon.17:** 1. Õlipaagi kork 2. Õlikontrolli ava

Pärast täitmist hoidke kettsaag puust eemal. Käivitage saag ja oodake, kuni saekett on piisavalt õlitatud.

- **Joon.18**

TÄHELEPANU: Esmakordsel ketiõliga täitmisel või täiesti tühjenenud paagi taastäitmisel lisage õli täitekaela alumise ääreni. Vastasel korral võib õliga varustamine olla häiritud.

TÄHELEPANU: Kasutage spetsiaalselt Makita jaoks mõeldud saeketiõli või sellega võrdväärset turul saada olevat õli.

TÄHELEPANU: Ärge kunagi kasutage tolmust või prügist õli ega lenduvat õli.

TÄHELEPANU: Puude kärpimisel kasutage botaanilist õli. Mineraalõli kahjustab puid.

TÄHELEPANU: Veenduge enne lõikamist, et komplekti õlipaagi kork oleks kohale keeratud.

KETTSAEGA TÖÖTAMINE

⚠ETTEVAATUST: Seadme esmakordsel kasutamisel tuleks miinimumnõuete täitmiseks kasutada palkide lõikamiseks saepukki või -raami.

⚠ETTEVAATUST: Eelnevalt tükeldatud puidu saagimisel kasutage turvalist alust (saepukk vm alus). Saetavat puitu ei tohi hoida kinni jalaga ega lasta seda kinni hoida teisel inimesel.

⚠ETTEVAATUST: Ümarpuit tuleb saagimise ajaks kinnitada.

⚠ETTEVAATUST: Hoidke mootori töötamise ajal kõik oma kehaosad saeketist eemal.

⚠ETTEVAATUST: Hoidke kettsaagi mootori töötamise ajal tugevasti mõlema käega.

⚠ETTEVAATUST: Ärge küünitage liiga kaugele ette. Hoidke kogu aeg jalad kindlalt maas ning hoidke tasakaalu.

TÄHELEPANU: Ärge visake tööriista ega laske sel maha kukkuda.

TÄHELEPANU: Ärge katke kinni tööriista ventilatsiooniasasid.

Puude mahasaagimine

Enne sae sisselülitamist pange kettsaag vastu lõigatavat oksa. Muidu võite põhjustada juhtlati loperdamise, mille tagajärjeks võib olla töötaja kehavigastus. Saagige puid viisil, kus lihtsalt liigutate kettsaagi allapoole selle kaalu kasutades.

► Joon.19

Kui te ei saa puud ühe lõikega läbi lõigata, avaldage käepidemele kergest survet ja jätkake saagimist, tõmmates kettsaagi veidi tagasi.

► Joon.20

Jämedate okste lõikamisel tehke esmalt altpoolt madal sisselõige ning seejärel pealtpoolt lõplik lõige.

► Joon.21

Kui proovite jämedaid oksid altpoolt ära lõigata, võib oks sulguda ja pigistada saeketi lõikeavasse kinni. Kui proovite jämedaid oksid ilma altpoolt madalat sisselõiget tegemata pealtpoolt ära lõigata, võib oks lõheneda.

► Joon.22

Läbisaagimine

1. Asetage kettsaag lõigatavale puidule.

► Joon.23

2. Saagige liikuva saeketiga puusse, kasutades sae tõstmiseks ülemist käepidet ja sae suunamiseks eesmist käepidet.

3. Jätkake lõikamist, avaldades ülemisele käepidemele kergest survet ja lastes saagi pisut tagasi.

TÄHELEPANU: Mitme lõike tegemisel lülitage kettsaag lõigete vahel välja.

⚠ETTEVAATUST: Kui lõikamisel kasutatakse lati ülaserava, siis võib kettsaag kinnikiilumise korral kasutaja suunas kalduda. Sel põhjusel lõigake alumise servaga, et saag kalduks kinnikiilumise korral teie kehast eemale.

► Joon.24

Lõigates pinget all olevat puitu, lõigake esmalt surve all olevat külge (A). Siis sooritage lõplik lõige pinges olevalt küljelt (B). See hoiab ära lati kinnikiilumise.

► Joon.25

Okste laasimine

⚠ETTEVAATUST: Okste laasimist tohivad teha ainult vastava väljaõppega isikud. Siin on ohuks võimalik tagasilöökk.

Okste laasimisel toetage kettsaag võimalusel puutüvele. Ärge lõigake lati tipuga, kuna see tekitab tagasilöögi ohu.

Olge eriti tähelepanelik pinget all olevate okste suhtes. Ärge lõigake toetamata oksid altpoolt.

Ärge seisake okste laasimise ajal langetatud puu tüvel.

Tööriista kandmine

Enne tööriista kandmist pange alati peale ketipidur ja eemaldage tööriistalt akukassetid. Seejärel kinnitage juhtlati kate. Samuti katke akukasset akukattega.

► Joon.26: 1. Juhtlati kate 2. Akukate

HOOLDUS

⚠ETTEVAATUST: Enne kontroll- või hooldustoimingute tegemist kandke alati hoolt selle eest, et tööriist oleks välja lülitatud ja akukasset korpuse küljest eemaldatud.

⚠ETTEVAATUST: Tööriista kontrollimisel ja hooldustööde tegemisel kandke alati kindaid.

TÄHELEPANU: Ärge kunagi kasutage bensiini, vedeldit, alkoholi ega midagi muud sarnast. Selle tulemuseks võib olla luitumine, deformatsioon või pragunemine.

Toote OHUTUSE JA TÕÕKINDLUSE tagamiseks tuleb vajalikud remonttööd ning muud hooldus- ja reguleerimistööd lasta teha Makita volitatud teeninduskeskustes või tehase teeninduskeskustes. Alati tuleb kasutada Makita varuosi.

Saeketi teritamine

Teritage saeketti siis, kui:

- niiske puidu saagimisel tekib jahune saepuru;
- kett läbibast puitu raskustega isegi tugeva surve avaldamisel;
- lõikeserval on silmnähtavad vigastused;
- saag kisub puidus paremale või vasakule (seda põhjustab saeketi ebaühtlane teritatus või ainult ühe külje vigastus).

Teritage saeketti sagedasti, kuid ainult natukese haaval. Rutiinsel teritamisel piisab enamasti kahest või kolmest viililõmbest. Pärast saeketi mitmekordset teritamist laske seda teritada meie volitatud teeninduskeskuses.

Teritamiskriteeriumid

▲HOIATUS: Lõikeserva ja sügavuspiiraja vaheline liiga suur vahemaa suurendab tagasilöögi ohtu.

- **Joon.27:** 1. Lõikuri pikkus 2. Lõikeserva ja sügavuspiiraja vahemaa 3. Minimaalne lõikehamba pikkus (3 mm)
- Kõik lõikurid peavad olema võrdse pikkusega. Erineva pikkusega lõikurid takistavad sae sujuvat jooksu ning võivad põhjustada saeketi purnemise.
 - Ärge teritage ketti, kui lõikehamba pikkus on 3 mm või lühem. Kett tuleb asendada uuega.
 - Laastu paksus määratakse sügavuse piiraja (ümar nina) ja lõikeserva vahelise kauguse alusel.
 - Parim lõiketulemus saadakse, kui vahemaa lõikeserva ja sügavuse piiraja vahel on järgmine.
 - Saetera 90PX: 0,65 mm
 - Saetera 91PX: 0,65 mm
 - Saetera 25AP: 0,65 mm
- **Joon.28**
- Teritamisnurk 30° peab olema kõikidel lõikuritel ühesugune. Erinevad lõikurinurgad raskendavad sae jooksu ja muudavad selle ebahähtlaseks, kiirendavad kulumist ja viivad keti purunemiseni.
 - Kasutage sobivat ümarviili, et tagada hammaste suhtes õige teritamisnurk.
 - Saetera 90PX: 55°
 - Saetera 91PX: 55°
 - Saetera 25AP: 55°

Viil ja viiljuhik

- Kasutage keti teritamiseks spetsiaalselt saekettidele mõeldud ümarviili (lisatarvik). Tavalised ümarviilid ei sobi.
 - Eri saekettide puhul kasutatavate ümarviilide diameetrid on järgmised.
 - Saetera 90PX: 4,5 mm
 - Saetera 91PX: 4,0 mm
 - Saetera 25AP: 4,0 mm
 - Viil peaks puutuma vastu lõikurit ainult tõuke ajal. Tagasitõmbe ajaks tõstke viil lõikuri pealt üles.
 - Teritage esmalt kõige lühemat lõikurit. Seejärel määrab lühima lõikuri pikkus saeketi kõigi ülejäänud lõikurite pikkuse.
 - Viilige joonisel näidatud moel.
- **Joon.29:** 1. Viil 2. Saekett
- Viili käsitsemine on hõlpsam, kui kasutada viilihoidikut (lisatarvik). Viilihoidikul on markeeringud õige teritamisnurga 30° leidmiseks (seadke markeeringud saeketiga paralleelselt ühele joonele) ja läbistussügavuse piiri tähised (kuni 4/5 viili läbimõõdust).
- **Joon.30:** 1. Viilihoidik
- Pärast keti teritamist kontrollige ketipiiraja (lisatarvik) abil sügavuse piiraja kõrgust.
- **Joon.31**

- Eemaldage spetsiaalse lameviiliga (lisatarvik) kõik väljaulatavad osad, ükskõik kui väikesed need ka poleks.
- Ümardage uuesti sügavuse piiraja esiosa.

Juhtlati puhastamine

Juhtlati soonde kogunevad laastud ja saepuru. Need võivad lati soone ummistada ja takistada õli liikumist. Saeketi teritamisel või vahetamisel eemaldage alati ka laastud ja saepuru.

► **Joon.32**

Ketiratta katte puhastamine

Ketiratta katte sisse kogunevad saepuru ja laastud. Eemaldage ketiratta kate ja saekett tööriistalt ja puhastage seejärel saepurust ja laastudest.

► **Joon.33**

Õli väljalaskeava puhastamine

Töö käigus võib tühjendusavasse koguneda tolmu ja väikesed osakesed. Selline tolm ja väikesed osakesed võivad häirida õli voolu ja põhjustada terve saeketi ebapiisavat õlitatust. Kui juhtlati tipu õliga varustatus häirub, siis puhastage õli väljalaskeava järgmisel moel.

1. Eemaldage tööriistalt ketiratta kate ja saekett.
2. Eemaldage tolm või väikesed osakesed peenevarrelise lapikkrivikeeraja vms abil.

► **Joon.34:** 1. Lapikkrivikeeraja 2. Õli väljalaskeava

3. Pange akukassett tööriista sisse. Tõmmake lüliti päästikut, et lasta korjunud tolmul ja osakestel õli tühjendusava kaudu koos väljalastava õliga välja voolata.

4. Eemaldage akukassett tööriista küljest.

Paigaldage ketiratta kate ja saekett tööriistale tagasi.

Ketiratta vahetamine

▲ETTEVAATUST: Kulunud ketiratas kahjustab uut saeketti. Sellisel juhul laske ketiratas välja vahetada.

Enne uue saeketi paigaldamist kontrollige ketiratta seisukorda.

► **Joon.35:** 1. Ketiratas 2. Kuluvad piirkonnad

Ketiratta vahetamisel paigaldage alati uus lukustusrõngas.

► **Joon.36:** 1. Lukustusrõngas 2. Ketiratas

TÄHELEPANU: Veenduge, et ketiratas paigaldaks alati joonisel näidatud viisil.

Masina hoiundamine

1. Puhastage tööriist enne hoiulepanekut. Eemaldage tööriistast pärast ketiratta katte eemaldamist kõik laastud ja saepuru.
2. Pärast tööriista puhastamist laske sel saeketi ja juhtlati õlitamiseks tühjal töötda.
3. Katke juhtlatti juhtlati kattega.
4. Tühjendage õlipaak.

Regulaarne hooldus

Selleks, et tagada sae pikk kasutusiga, hoida ära selle rikked ning tagada ohutu töötamine, tuleb regulaarselt teha järgmisi hooldustöid. Seadme garantii kehtib üksnes juhul, kui nimetatud töid on tehtud regulaarselt ja nõuetekohaselt. Nende hooldustööde tegemata jätmise suurendab õnnetuste ohtu! Ketsae kasutaja tohib teha ainult käesolevas kasutusjuhendis kirjeldatud hooldustöid. Kõik sellised tööd tuleb lasta teha volitatud teeninduskeskuses.

Kontrollitav objekt / töötamisae		Enne kasutamist	Iga päev	Iga nädal	Iga 3 kuu tagant	Iga aasta	Enne hoiule panemist
Kettsaag	Ülevaatamine.	✓	-	-	-	-	-
	Puhastamine.	-	✓	-	-	-	-
	Kontrollige volitatud teeninduskeskuses.	-	-	-	-	✓	✓
Saekett	Ülevaatamine.	✓	-	-	-	-	-
	Teritamine vastavalt vajadusele.	-	-	-	-	-	✓
Juhtlatt	Ülevaatamine.	✓	✓	-	-	-	-
	Eemaldage kettsaelt.	-	-	-	-	-	✓
Ketipidur	Kontrollige toimimist.	✓	-	-	-	-	-
	Laske volitatud teeninduskeskuses regulaarselt üle vaadata.	-	-	-	✓	-	-
Keti õlitamine	Kontrollige õli etteandemäära.	✓	-	-	-	-	-
Lüliti päästik	Ülevaatamine.	✓	-	-	-	-	-
Lukust avamise hoob	Ülevaatamine.	✓	-	-	-	-	-
Õlipaagi kork	Kontrollige pingsust.	✓	-	-	-	-	-
Ketipüüdja	Ülevaatamine.	-	-	✓	-	-	-
Kruvid ja mutrid	Ülevaatamine.	-	-	✓	-	-	-

VEAOTSING

Enne remonditööd peab pöördumist kontrollige niidukit ise. Ärge üritage niidukit lahti võtta, kui leiata probleemi, mida kasutusjuhendis ei kirjeldata. Selle asemel pöörduge Makita volitatud teeninduskeskusesse, kus kasutatakse remontimisel alati Makita tagavaraosi.

Tõrge	Põhjus	Tegevus
Kettsaag ei käivitu.	Akukassett ei ole paigaldatud.	Paigaldage laetud akukassett.
	Akuga seotud probleem (madal pingeline).	Laadige akukassett. Kui laadimine ei anna tulemust, vahetage akukassett välja.
	Toitelüliti on väljas.	Kettsaag lülitub teatud mittekasutamise perioodi möödudes välja. Lülitage toitelüliti uuesti sisse.
Saekett ei liigu.	Ketipidur on peal.	Vabastage ketipidur.
Mootor seiskub pärast lühiajalist töötamist.	Aku laetustase on madal.	Laadige akukassett. Kui laadimine ei anna tulemust, vahetage akukassett välja.
Ketil pole õli.	Õlipaak on tühi.	Täitke õlipaak.
	Õli juhtsoon on määratud.	Puhastage soon.
	Õli on halva kvaliteediga.	Reguleerige reguleerimiskruviga etteantava õli kogust.
Kettsaag ei saavuta maksimaalset pöörlemiskiirust.	Akukassett ei ole õigesti paigaldatud.	Paigaldage akukassett juhendis kirjeldatud viisil.
	Aku võimsus langeb.	Laadige akukassett. Kui laadimine ei anna tulemust, vahetage akukassett välja.
	Veosüsteem ei tööta korralikult.	Pöörduge remontimiseks teie piirkonna volitatud teeninduskeskusesse.
Toitetuli viigub roheliselt.	Lüliti päästikut vajutati mittekasutatavates tingimustes.	Vajutage lüliti päästikut pärast toitelüliti sisselülitamist ja ketipiduri vabastamist.
Kett ei seisku isegi pärast ketipiduri aktiveerimist. Seisake masin viivitamatult!	Piduri rihm on kulunud.	Pöörduge remontimiseks teie piirkonna volitatud teeninduskeskusesse.
Ebatavaline vibratsioon: Seisake masin viivitamatult!	Juhtlatti või saekett on lõtv.	Reguleerige juhtlati ja saeketi pingust.
	Tööriista rike.	Pöörduge remontimiseks teie piirkonna volitatud teeninduskeskusesse.
Torque Boosti režiim pole saadaval pärast akukasseti vahetamist täislaetud akukasseti vastu.	Olenevalt kasutustingimustest ei ole Torque Boosti režiim pärast akukasseti vahetamist saadaval.	Kasutage tööriista tavarežiimis, kuni paigaldatud akukassett saab tühjaks, ja seejärel vahetage akukassett täielikult laetud akukasseti vastu või taasklaadige akukassett.

VALIKULISED TARIKUD

⚠ETTEVAATUST: Neid tarvikuid ja lisaseadiseid on soovitatav kasutada koos Makita tööriistaga, mille kasutamist selles kasutusjuhendis kirjeldatakse. Muude tarvikute ja lisaseadiste kasutamisega kaasneb vigastada saamise oht. Kasutage tarvikuid ja lisaseadiseid ainult otstarbekohaselt.

Saate vajaduse korral kohalikust Makita teeninduskeskusest lisateavet nende tarvikute kohta.

- Saekett
- Juhtlatti
- Juhtlati kate
- Ketiratas
- Terakaitse
- Viil
- Tööriistakott
- Makita algupärane aku ja laadija

⚠HOIATUS: Kui ostate standardsest juhtlatist erineva pikkusega juhtlati, ostke sinna juurde ka sobiva pikkusega juhtlati kate. See peab sobima ja katma kettsae juhtlati täielikult.

⚠MÄRKUS: Mõned nimekirjas loetletud tarvikud võivad kuuluda standardvarustusse ning need on lisatud tööriista pakendisse. Need võivad riigiti erineda.

ТЕХНИЧЕСКИЕ ХАРАКТЕРИСТИКИ

Модель:		DUC204	DUC254	DUC254C
Общая длина (без стержня направляющей)		256 мм		
Номинальное напряжение		18 В пост. тока		
Масса нетто		2,8 – 3,3 кг		
Стандартная длина стержня направляющей		200 мм	250 мм	
Рекомендованная длина стержня направляющей	с 90PX	200 – 250 мм		-
	с 91PX	-	250 мм	-
	с 25AP	-		250 мм
Подходящий тип пильной цепи (см. таблицу ниже)		90PX	90PX 91PX	25AP
Стандартная звездочка	Количество зубьев	6		
	Шаг	3/8 дюйма		1/4 дюйма
Скорость цепи		0 – 24 м/с (0 – 1 440 м/мин)		0 – 22,5 м/с (0 – 1 350 м/мин)
Объем масляного бака		140 см ³		

- Благодаря нашей постоянно действующей программе исследований и разработок указанные здесь технические характеристики могут быть изменены без предварительного уведомления.
- Технические характеристики могут различаться в зависимости от страны.
- Масса может отличаться в зависимости от дополнительного оборудования. Обратите внимание, что блок аккумулятора также считается дополнительным оборудованием. В таблице представлены комбинации с наибольшим и наименьшим весом в соответствии с процедурой EPTA 01/2014.

Подходящий блок аккумулятора

BL1815N / BL1820 / BL1820B / BL1830 / BL1830B / BL1840 / BL1840B / BL1850 / BL1850B / BL1860B

- В зависимости от региона вашего проживания некоторые блоки аккумуляторов, перечисленные выше, могут быть недоступны.

⚠ОСТОРОЖНО: Используйте только перечисленные выше блоки аккумуляторов. Использование других блоков аккумуляторов может привести к травме и/или пожару.

Сочетание пильной цепи, стержня направляющей и звездочки

Тип пильной цепи		90PX	
Количество приводных звеньев		33	40
Пильная шина	Длина пильной шины	200 мм	250 мм
	Длина распила	180 мм	244 мм
	Шаг	3/8 дюйма	
	Измеритель	1,1 мм	
	Тип	Шина с концевой звездочкой	
Звездочка	Количество зубьев	6	
	Шаг	3/8 дюйма	

Тип пильной цепи		91PX	
Количество приводных звеньев		40	
Пильная шина	Длина пильной шины	250 мм	
	Длина распила	244 мм	
	Шаг	3/8 дюйма	
	Измеритель	1,3 мм	
	Тип	Шина с концевой звездочкой	
Звездочка	Количество зубьев	6	
	Шаг	3/8 дюйма	










Тип пильной цепи		25AP
Количество приводных звеньев		60
Пильная шина	Длина пильной шины	250 мм
	Длина распила	250 мм
	Шаг	1/4 дюйма
	Измеритель	1,3 мм
	Тип	Пильная шина
Звездочка	Количество зубьев	9
	Шаг	1/4 дюйма

ПРИМЕЧАНИЕ: Пильную цепь 25AP следует использовать со звездочкой 9 (приобретается отдельно).

⚠ ОСТОРОЖНО: Используйте подходящее сочетание пильной шины и пильной цепи. Несоблюдение этой рекомендации может привести к травме.

Символы

Ниже приведены символы, используемые для обозначения. Перед использованием убедитесь, что вы понимаете их значение.

	Прочитайте руководство по эксплуатации.
	Надевайте защитные очки.
	Используйте средства защиты слуха.
	Надевайте каску, защитные очки и используйте средства защиты слуха.
	Используйте надлежащие средства защиты для ног и рук.
	Эта пила предназначена для использования только операторами, имеющими надлежащую подготовку.
	Бережь от влаги.
	Максимально допустимая длина среза
	Во время работы цепную пилу следует держать двумя руками.
	Направление движения цепи
	Регулировка подачи масла к пильной цепи



Только для стран ЕС
Не выбрасывайте электрооборудование или аккумуляторы вместе с бытовым мусором!
В соответствии с европейскими директивами об утилизации электрического и электронного оборудования, о батареях и аккумуляторах, а также использованных батареях и аккумуляторах и их применении в соответствии с местными законами электрооборудование, батареи и аккумуляторы, срок эксплуатации которых истек, должны утилизироваться отдельно и передаваться для утилизации на предприятие, соответствующее применяемым правилам охраны окружающей среды.

Назначение

Этот инструмент предназначен для отрезания веток и обрезки деревьев. Он также может использоваться для ухода за деревьями.

Шум

Типичный уровень взвешенного звукового давления (A), измеренный в соответствии с IEC62841-4-1:

Модель DUC204

Уровень звукового давления (L_{pA}): 92,2 дБ (A)
Уровень звуковой мощности (L_{WA}): 103,2 дБ (A)
Погрешность (K): 2,5 дБ (A)

Модель DUC254

Уровень звукового давления (L_{pA}): 92,2 дБ (A)
Уровень звуковой мощности (L_{WA}): 103,2 дБ (A)
Погрешность (K): 2,5 дБ (A)

Модель DUC254C

Уровень звукового давления (L_{pA}): 92,2 дБ (A)
Уровень звуковой мощности (L_{WA}): 103,2 дБ (A)
Погрешность (K): 2,5 дБ (A)

⚠ ОСТОРОЖНО: Используйте средства защиты слуха.

Вибрация

Суммарное значение вибрации (сумма векторов по трем осям), определенное в соответствии с IEC62841-4-1:

Модель DUC204

Рабочий режим: распиливание древесины

Распространение вибрации ($a_{h,w}$): 3,1 м/с²

Погрешность (K): 1,5 м/с²

Модель DUC254

Рабочий режим: распиливание древесины

Распространение вибрации ($a_{h,w}$): 3,1 м/с²

Погрешность (K): 1,5 м/с²

Модель DUC254C

Рабочий режим: распиливание древесины

Распространение вибрации ($a_{h,w}$): 4,1 м/с²

Погрешность (K): 1,5 м/с²

ПРИМЕЧАНИЕ: Заявленное значение распространения вибрации измерено в соответствии со стандартной методикой испытаний и может быть использовано для сравнения инструментов.

ПРИМЕЧАНИЕ: Заявленное значение распространения вибрации можно также использовать для предварительных оценок воздействия.

⚠ ОСТОРОЖНО: Распространение вибрации во время фактического использования электроинструмента может отличаться от заявленного значения в зависимости от способа применения инструмента.

⚠ ОСТОРОЖНО: Обязательно определите меры безопасности для защиты оператора, основанные на оценке воздействия в реальных условиях использования (с учетом всех этапов рабочего цикла, таких как выключение инструмента, работа без нагрузки и включение).

Декларация о соответствии ЕС

Только для европейских стран

Декларация о соответствии ЕС включена в руководство по эксплуатации (Приложение А).

МЕРЫ БЕЗОПАСНОСТИ

Общие рекомендации по технике безопасности для электроинструментов

⚠ ОСТОРОЖНО: Ознакомьтесь со всеми представленными инструкциями по технике безопасности, указаниями, иллюстрациями и техническими характеристиками, прилагаемыми к данному электроинструменту. Несоблюдение каких-либо инструкций, указанных ниже, может привести к поражению электрическим током, пожару и/или серьезной травме.

Сохраните брошюру с инструкциями и рекомендациями для дальнейшего использования.

Термин "электроинструмент" в предупреждениях относится ко всему инструменту, работающему от сети (с проводом) или на аккумуляторах (без провода).

Правила техники безопасности при использовании цепной пилы с питанием от аккумуляторной батареи

- 1. Не дотрагивайтесь до пильной цепи во время работы цепной пилы. Перед началом работы убедитесь в том, что пильная цепь ни к чему не прикасается.** Секундная невнимательность при работе с цепной пилой может привести к захлестыванию вашей одежды или частей тела пильной цепью.
- 2. Всегда беритесь правой рукой за верхнюю ручку цепной пилы, а левой – за переднюю.** Держать цепную пилу по-другому запрещено из-за повышения риска травмирования при работе с ней.
- 3. Держите электроинструмент только за специально предназначенные изолированные поверхности, так как при выполнении работ существует риск контакта цепной пилы со скрытой электропроводкой.** Контакт с проводом под напряжением приведет к тому, что металлические детали цепной пилы также окажутся под напряжением, что приведет к поражению оператора электрическим током.
- 4. Используйте защитные очки и средства защиты органов слуха.** Рекомендуется использовать дополнительные средства защиты головы, рук и ног. Надлежащая защитная одежда снижает риск получения травм от летящих частиц или при случайном прикосновении к пильной цепи.
- 5. Всегда сохраняйте устойчивое положение.**
- 6. Отрезая сук, находящийся под нагрузкой, помните о возможной отдаче.** Когда напряжение в волокнах дерева исчезнет, ветка может ударить оператора и/или выбить из рук цепную пилу.
- 7. Соблюдайте особую осторожность при резании кустарника и молодых деревьев.** Пильная цепь может застрять в гибком материале, в результате чего вас может хлестнуть веткой, или вы можете потерять равновесие в результате рывка.
- 8. Переносите цепную пилу только за переднюю ручку, в выключенном состоянии, не поднося к телу. На время транспортировки или хранения цепной пилы обязательно надевайте крышку пильной шины.** Правильное обращение с цепной пилой снижает риск случайного прикосновения к движущейся пильной цепи.

9. **Следуйте инструкциям по смазке, натяжению цепи и замене принадлежностей.** Из-за неправильного натяжения или смазки цепи увеличивается риск поломки или отдачи.
10. **Ручки инструмента всегда должны быть сухими и чистыми и не должны быть испачканы маслом или смазкой.** Замасленные ручки становятся скользкими, это может привести к потере контроля над инструментом.
11. **Разрешается использовать только для резки дерева.** Используйте цепную пилу только по назначению. Например: не используйте цепную пилу для резки пластика, кирпича или строительных материалов, изготовленных не из дерева. Использование цепной пилы не по назначению может привести к опасным ситуациям.
12. **Причины отдачи и меры их предотвращения оператором:**
Отдача возможна в случае, если передняя часть или кончик пильной шины коснется предмета, или если дерево зажмет пильную цепь в разрезе. В некоторых случаях касание кончиком пилы может внезапно отбросить пильную шину вверх и назад, в сторону оператора. Защемление пильной цепи у верхней части пильной шины может отбросить шину назад, к оператору. Любая из этих реакций может стать причиной потери контроля над пилой и привести к тяжелым травмам. Не полагайтесь только на предохранительные устройства пилы. Как оператор цепной пилы, вы должны принять меры для обеспечения безопасной работы. Отдача — это результат неправильного использования пилы и/или неправильных процедур или условий эксплуатации. Ее можно избежать, соблюдая указанные ниже меры предосторожности:
 - Крепко удерживайте инструмент, обхватив рукоятки пилы двумя руками; положение тела и рук следует выбрать таким образом, чтобы быть готовым к отдаче. Если приняты соответствующие меры предосторожности, оператор способен справиться с силой отдачи. Не выпускайте цепную пилу из рук.

► **Рис.1**

- Не старайтесь дотянуться до объектов за пределами досягаемости и не пилите на высоте выше уровня плеч. Это поможет предотвратить непреднамеренный контакт кончика пилы и лучше управлять цепной пилой в непредвиденных ситуациях.
 - Используйте сменные шины и цепи только рекомендованного производителем типа. Использование других сменных шин и цепей может привести к разрыву цепи и/или отдаче.
 - Следуйте инструкциям производителя по заточке и обслуживанию цепной пилы. Уменьшение высоты глубиномера может привести к увеличению силы отдачи.
13. **Перед началом работы убедитесь, что цепная пила находится в нормальном рабочем состоянии и соответствует нормативным требованиям техники безопасности. В частности, убедитесь, что:**

- тормоз цепи работает нормально;
 - тормоз для нерабочего состояния работает нормально;
 - шина и крышка звездочки установлены правильно;
 - цепь наточена и натянута в соответствии с требованиями.
14. **Не включайте цепную пилу, если на ней установлена крышка цепи.** В противном случае крышка цепи может оторваться и быть отброшена вперед, причинив травмы или повреждения окружающих предметов.

Специальные инструкции по технике безопасности, касающиеся верхней ручки

1. Эта цепная пила предназначена для ухода за деревьями и их обрезки. Использовать эту пилу разрешается только лицам, имеющим надлежащую подготовку. Соблюдайте все инструкции, процедуры и рекомендации, предоставленные соответствующей профессиональной организацией. В противном случае могут произойти несчастные случаи со смертельным исходом. Для обрезки деревьев рекомендуется всегда использовать подъемную платформу (автовышка, подъемник). Спуск по канату чрезвычайно опасен и требует специальной подготовки. Операторы должны пройти подготовку по использованию защитных приспособлений и для ознакомления с приемами лазанья. При выполнении работ на деревьях всегда используйте подходящие ремни, тросы и карабины. Всегда используйте ограничительное приспособление как для оператора, так и для пилы.
2. Перед помещением на хранение выполните очистку и техническое обслуживание пилы в соответствии с инструкциями в руководстве по эксплуатации.
3. При перевозке автотранспортом надежно закрепите цепную пилу в подходящем месте во избежание утечки топлива или масла для цепи, повреждения инструмента или травмирования.
4. Регулярно проверяйте работоспособность тормоза цепи.
5. Не наполняйте бак маслом для цепи вблизи огня. Не курите во время наполнения бака маслом для цепи.
6. Использование цепной пилы может быть ограничено государственными нормами.
7. Если оборудование получило сильный удар или упало, перед продолжением работы проверьте его состояние. Убедитесь в том, что органы управления и предохранительные устройства работают исправно. При возникновении сомнений или обнаружении повреждения обратитесь в авторизованный сервисный центр для осмотра инструмента и ремонта.
8. Перед запуском цепной пилы всегда активируйте тормоз цепи.

9. Начиная распил, крепко удерживайте пилу во избежание смещения (скольжения) или подпрыгивания пилы.
10. Завершая распил, соблюдайте осторожность и сохраняйте баланс, который вы можете потерять из-за “проваливания”.
11. Учитывайте направление и скорость ветра. Избегайте воздействия опилок и тумана от масла для цепи.

Защитная экипировка

1. Во избежание травм головы и конечностей, а также для защиты глаз и органов слуха во время работы с цепной пилой используйте следующую защитную экипировку:
 - Рабочая одежда должна соответствовать выполняемым работам, т. е. должна быть в меру облегчающей. Не надевайте ювелирные украшения или одежду, которая может запутаться в кустах или ветках. Если у вас длинные волосы, надевайте сетку для волос!
 - При работе с цепной пилой обязательно надевайте защитный шлем. **Защитный шлем** необходимо регулярно проверять на отсутствие повреждений и заменять не позднее чем после 5 лет использования. Используйте только сертифицированные защитные шлемы.
 - **Защитная маска** шлема (или очков) обеспечивает защиту от опилок и древесной стружки. Во время работы с цепной пилой всегда надевайте очки или защитную маску для предотвращения травм глаз.
 - Используйте подходящее **оснащение для защиты от шума** (наушники, беруши и т. д.)
 - **Защитная куртка** состоит из 22 слоев нейлона и защищает оператора от порезов. Ее всегда следует надевать во время работы с поднятых платформ (автовышек, подъемников), с платформ, смонтированных на лестницах, или при подъеме по тросам.
 - **Защитная обвязка и фартук с нагрудником** изготовлены из 22 слоев нейлоновой ткани и защищают от порезов. Настоятельно рекомендуем их использовать.
 - **Защитные перчатки**, изготовленные из толстой кожи, всегда следует надевать во время работы с цепной пилой, поскольку они относятся к описанной защитной экипировке.
 - Во время работы с цепной пилой также следует надевать **защитные ботинки** или **защитную обувь** с противоскользящей подошвой, стальными носками и защитой ноги. Защитная обувь с дополнительным защитным слоем защищает от возможных порезов и обеспечивает хорошую устойчивость во время работы. Для работы на деревьях используйте защитные ботинки, подходящие для лазанья.

Вибрация

1. Лица с плохой циркуляцией крови, которые подвергаются чрезмерной вибрации, могут получить повреждение кровеносных сосудов или нервной системы. Вибрация может привести к появлению следующих симптомов в пальцах, руках или запястьях: затекание (онемение), зуд, боль, покалывание или изменение цвета кожи. **При возникновении указанных симптомов обратитесь к врачу!** Для снижения риска синдрома белых пальцев во время работы держите руки в тепле и обслуживайте оборудование и дополнительные принадлежности правильно.

СОХРАНИТЕ ДАННЫЕ ИНСТРУКЦИИ.

▲ ОСТОРОЖНО: НЕ ДОПУСКАЙТЕ, чтобы удобство или опыт эксплуатации данного устройства (полученный от многократного использования) доминировали над строгим соблюдением правил техники безопасности при обращении с этим устройством. **НЕПРАВИЛЬНОЕ ИСПОЛЬЗОВАНИЕ** инструмента или несоблюдение правил техники безопасности, указанных в данном руководстве, может привести к тяжелой травме.

Важные правила техники безопасности для работы с аккумуляторным блоком

1. Перед использованием аккумуляторного блока прочитайте все инструкции и предупреждающие надписи на (1) зарядном устройстве, (2) аккумуляторном блоке и (3) инструменте, работающем от аккумуляторного блока.
2. Не разбирайте аккумуляторный блок.
3. Если время работы аккумуляторного блока значительно сократилось, немедленно прекратите работу. В противном случае, может возникнуть перегрев блока, что приведет к ожогам и даже к взрыву.
4. В случае попадания электролита в глаза промойте их обильным количеством чистой воды и немедленно обратитесь к врачу. Это может привести к потере зрения.
5. Не замыкайте контакты аккумуляторного блока между собой:
 - (1) Не прикасайтесь к контактам какими-либо токопроводящими предметами.
 - (2) Не храните аккумуляторный блок в контейнере вместе с другими металлическими предметами, такими как гвозди, монеты и т. п.
 - (3) Не допускайте попадания на аккумуляторный блок воды или дождя.
 Замыкание контактов аккумуляторного блока между собой может привести к возникновению большого тока, перегреву, возможным ожогам и даже поломке блока.

6. Не храните инструмент и аккумуляторный блок в местах, где температура может достигать или превышать 50 °C (122 °F).
7. Не бросайте аккумуляторный блок в огонь, даже если он сильно поврежден или полностью вышел из строя. Аккумуляторный блок может взорваться под действием огня.
8. Не роняйте и не ударяйте аккумуляторный блок.
9. Не используйте поврежденный аккумуляторный блок.
10. Входящие в комплект литий-ионные аккумуляторы должны эксплуатироваться в соответствии с требованиями законодательства об опасных товарах.
При коммерческой транспортировке, например, третьей стороной или экспедитором, необходимо нанести на упаковку специальные предупреждения и маркировку.
В процессе подготовки устройства к отправке обязательно проконсультируйтесь со специалистом по опасным материалам. Также соблюдайте местные требования и нормы. Они могут быть строже.
Закройте или закрепите разомкнутые контакты и упакуйте аккумулятор так, чтобы он не перемещался по упаковке.
11. Выполняйте требования местного законодательства относительно утилизации аккумуляторного блока.
12. Используйте аккумуляторы только с продукцией, указанной Makita. Установка аккумуляторов на продукцию, не соответствующую требованиям, может привести к пожару, перегреву, взрыву или утечке электролита.

▲ВНИМАНИЕ: Используйте только фирменные аккумуляторные батареи Makita. Использование аккумуляторных батарей, не произведенных Makita, или батарей, которые были подвергнуты модификациям, может привести к взрыву аккумулятора, пожару, травмам и повреждению имущества. Это также автоматически аннулирует гарантию Makita на инструмент и зарядное устройство Makita.

Советы по обеспечению максимального срока службы аккумулятора

1. Заряжайте блок аккумуляторов перед его полной разрядкой. Обязательно прекратите работу с инструментом и зарядите блок аккумуляторов, если вы заметили снижение мощности инструмента.
2. Никогда не подзаряжайте полностью заряженный блок аккумуляторов. Перезарядка сокращает срок службы аккумулятора.
3. Заряжайте блок аккумуляторов при комнатной температуре в 10 - 40 °C (50 - 104 °F). Перед зарядкой горячего блока аккумуляторов дайте ему остыть.
4. Зарядите ионно-литиевый аккумуляторный блок, если вы не будете пользоваться инструментом длительное время (более шести месяцев).

СОХРАНИТЕ ДАННЫЕ ИНСТРУКЦИИ.

ОПИСАНИЕ ДЕТАЛЕЙ

► Рис.2

1	Триггерный переключатель	2	Верхняя ручка	3	Рычаг разблокировки
4	Передняя защита руки	5	Пильная шина	6	Пильная цепь
7	Уловитель цепи	8	Стопорная гайка	9	Винт регулировки цепи
10	Направляющая для стружки	11	Блок аккумулятора	12	Основной индикатор питания
13	Основной переключатель питания	14	Винт регулировки масляного насоса	15	Карабин
16	Передняя ручка	17	Крышка маслобака	18	Крышка пильной шины

ОПИСАНИЕ РАБОТЫ

ВНИМАНИЕ: Перед регулировкой или проверкой функций инструмента обязательно убедитесь, что он выключен и его аккумуляторный блок снят.

Установка или снятие блока аккумуляторов

ВНИМАНИЕ: Обязательно выключайте инструмент перед установкой и извлечением аккумуляторного блока.

ВНИМАНИЕ: При установке и извлечении аккумуляторного блока крепко удерживайте инструмент и аккумуляторный блок. Если не соблюдать это требование, они могут выскользнуть из рук, что приведет к повреждению инструмента, аккумуляторного блока и травмированию оператора.

► Рис.3: 1. Красный индикатор 2. Кнопка 3. Блок аккумулятора

Для снятия аккумуляторного блока нажмите кнопку на лицевой стороне и извлеките блок.

Для установки аккумуляторного блока совместите выступ аккумуляторного блока с пазом в корпусе и задвиньте его на место. Устанавливайте блок до упора так, чтобы он зафиксировался на месте с небольшим щелчком. Если вы можете видеть красный индикатор на верхней части клавиши, адаптер аккумулятора не полностью установлен на месте.

ВНИМАНИЕ: Обязательно устанавливайте аккумуляторный блок до конца, чтобы красный индикатор не был виден. В противном случае аккумуляторный блок может выпасть из инструмента и нанести травму вам или другим людям.

ВНИМАНИЕ: Не прилагайте чрезмерных усилий при установке аккумуляторного блока. Если блок не двигается свободно, значит он вставлен неправильно.

Индикация оставшегося заряда аккумулятора

Только для блоков аккумулятора с индикатором

► Рис.4: 1. Индикаторы 2. Кнопка проверки

Нажмите кнопку проверки на аккумуляторном блоке для проверки заряда. Индикаторы загорятся на несколько секунд.

Индикаторы			Уровень заряда
Горит	Выкл.	Мигает	
■	□	◐	от 75 до 100%
■	■	■	
■	■	□	от 50 до 75%
■	■	□	от 25 до 50%
■	□	□	от 0 до 25%

Индикаторы			Уровень заряда
Горит	Выкл.	Мигает	
■	□	◐	Зарядите аккумуляторную батарею.
■	□	□	
■	□	□	Возможно, аккумуляторная батарея неисправна.
□	□	■	

ПРИМЕЧАНИЕ: В зависимости от условий эксплуатации и температуры окружающего воздуха индикация может незначительно отличаться от фактического значения.

Система защиты инструмента/аккумулятора

На инструменте предусмотрена система защиты инструмента/аккумулятора. Она автоматически отключает питание двигателя для продления срока службы инструмента и аккумулятора. Инструмент автоматически остановится во время работы в следующих случаях:

Защита от перегрузки

Если из-за способа эксплуатации аккумулятор потребляет аномально высокий ток, он автоматически выключится, а основной индикатор питания начнет мигать зеленым. В этом случае выключите инструмент и прекратите работу, повлекшую перегрузку инструмента. Затем включите инструмент для перезапуска.

Защита от перегрева

При перегреве инструмента или аккумулятора инструмент автоматически останавливается, а основной индикатор питания начинает гореть красным. В этом случае дайте инструменту и аккумулятору остыть перед повторным включением.

ПРИМЕЧАНИЕ: Защита от перегрева с высокой вероятностью сработает в условиях высокой температуры, а инструмент остановится автоматически.

Защита от переразрядки

Если емкости аккумулятора недостаточно, инструмент остановится автоматически, а основной индикатор питания начнет мигать красным. В этом случае извлеките аккумулятор из инструмента и зарядите его.

Основной переключатель питания

ОСТОРОЖНО: Держите основной переключатель питания выключенным, когда он не используется.

Чтобы включить инструмент, нажимайте на главный переключатель питания до тех пор, пока основной индикатор питания не загорится зеленым. Для

выключения нажмите на главный переключатель питания еще раз.

- **Рис.5:** 1. Основной индикатор питания
2. Главный переключатель питания

ПРИМЕЧАНИЕ: Если триггерный переключатель нажимается в условиях, когда эксплуатация невозможна, основной индикатор питания начинает мигать зеленым. Индикатор начинает мигать в указанных ниже случаях.

- Если вы включили главный переключатель питания, удерживая нажатым рычаг блокировки в выключенном положении или триггерный переключатель.
- Если вы потянули за триггерный переключатель при активированном тормозе цепи.
- Если вы отпустили тормоз цепи, удерживая рычаг блокировки в выключенном положении и триггерный переключатель нажатыми.

ПРИМЕЧАНИЕ: Эта цепная пила обладает функцией автоматического отключения. Для предотвращения случайного запуска основной переключатель питания автоматически отключается, если вы не нажимаете на триггерный переключатель в течение определенного периода времени после включения основного переключателя питания.

Инструмент можно использовать в режиме повышенного крутящего момента для срезания толстых или твердых веток. Для использования инструмента в режиме повышенного крутящего момента нажмите главный переключатель питания и удерживайте его несколько секунд, когда инструмент выключен, пока основной индикатор питания не загорится желтым.

ПРИМЕЧАНИЕ: Использовать инструмент в режиме повышенного крутящего момента можно в течение не более 30 с. В зависимости от условий использования переключение в нормальный режим происходит менее, чем через 30 с.

ПРИМЕЧАНИЕ: Если основной индикатор питания мигает желтым, когда вы нажимаете главный переключатель питания и удерживаете его нажатым несколько секунд, режим повышенного крутящего момента не будет доступен. В этом случае выполните указанные ниже действия.

- Режим повышенного крутящего момента недоступен сразу после отрезания. Нажмите главный переключатель питания не менее, чем через 10 секунд.
- С целью защиты аккумулятора многократное использование режима повышенного крутящего момента ограничено. Если режим повышенного крутящего момента не включается через 10 секунд, вставьте полностью заряженный блок аккумулятора или зарядите блок аккумулятора.

ПРИМЕЧАНИЕ: Если основной индикатор питания загорится красным или начнет мигать красным или зеленым, см. раздел инструкций по системе защиты инструмента или аккумулятора.

ПРИМЕЧАНИЕ: Режим повышенного крутящего момента нельзя использовать, если установлен блок аккумулятора BL1815N, BL1820 или BL1820B.

Действие выключателя

⚠ОСТОРОЖНО: В целях безопасности инструмент оснащен рычагом разблокировки, который предотвращает случайное включение инструмента. **ЗАПРЕЩАЕТСЯ** использовать инструмент после нажатия триггерного переключателя без включения рычага разблокировки. Верните инструмент в авторизованный сервисный центр для надлежащего ремонта **ДО** продолжения его эксплуатации.

⚠ОСТОРОЖНО: **ЗАПРЕЩЕНО** фиксировать рычаг разблокировки при помощи липкой ленты и вносить изменения в его конструкцию.

⚠ВНИМАНИЕ: Перед установкой аккумулятора блока в инструмент обязательно убедитесь, что его триггерный переключатель нормально работает и возвращается в положение "OFF" (ВЫКЛ) при отпуске.

ПРИМЕЧАНИЕ: Не давите сильно на триггерный переключатель, не нажав на рычаг разблокировки. Это может привести к поломке переключателя.

Для предотвращения случайного нажатия триггерного переключателя инструмент оборудован рычагом блокировки в выключенном положении. Для запуска инструмента отпустите рычаг блокировки в выключенном положении, затем потяните триггерный переключатель. Для повышения частоты вращения нажмите триггерный переключатель сильнее. Для остановки отпустите триггерный переключатель.

- **Рис.6:** 1. Триггерный переключатель 2. Рычаг разблокировки

Проверка тормоза цепи

⚠ВНИМАНИЕ: При включении держите цепную пилу двумя руками. Правой рукой возьмитесь за верхнюю ручку, а левой – за переднюю. Шина и цепь не должны касаться какого-либо предмета.

⚠ВНИМАНИЕ: Если при выполнении этой проверки пыльная цепь не остановилась сразу же, эксплуатация пилы запрещена. Обратитесь в авторизованный сервисный центр.

1. Нажмите на рычаг разблокировки, затем потяните триггерный переключатель. Пыльная цепь запустится незамедлительно.
2. Тыльной стороной руки переместите защиту руки вперед. Цепная пила должна сразу же остановиться.

- **Рис.7:** 1. Передняя защита руки 2. Положение разблокировки 3. Положение блокировки

Проверка тормоза для остановки цепи, когда пила выключена

⚠ВНИМАНИЕ: Если во время этой проверки пильная цепь не останавливается в течение двух секунд, прекратите эксплуатацию этой цепной пилы и обратитесь в авторизованный сервисный центр.

Включите цепную пилу, затем полностью отпустите триггерный переключатель. Пильная цепь должна остановиться в течение приблизительно двух секунд.

Регулировка смазки цепи

Скорость подачи масла насосом можно корректировать регулировочным винтом с помощью универсального ключа. Количество масла можно отрегулировать в 3 этапа.

► **Рис.8:** 1. Регулировочный винт

Карабин (точка крепления троса)

Вы можете повесить инструмент, прикрепив трос к карабину. Потяните за карабин и проденьте в него трос.

Электронная функция

Для простоты эксплуатации инструмент оснащен электронными функциями.

- Плавный запуск
Функция плавного запуска уменьшает пусковой удар и смягчает запуск инструмента.

СБОРКА

⚠ВНИМАНИЕ: Перед проведением каких-либо работ с инструментом обязательно убедитесь, что инструмент отключен, а блок аккумулятора снят.

⚠ВНИМАНИЕ: Не прикасайтесь к пильной цепи голыми руками. При работе с пильной цепью обязательно надевайте защитные перчатки.

Снятие или установка пильной цепи

⚠ВНИМАНИЕ: После окончания эксплуатации пильная цепь и пильная шина остаются горячими. Дождитесь, пока они остынут, прежде чем выполнять какие-либо работы с инструментом.

⚠ВНИМАНИЕ: Процедуру установки и снятия пильной цепи необходимо осуществлять в чистом месте, где нет опилок или других инородных предметов.

Чтобы снять пильную цепь, выполните следующие действия:

1. Отпустите тормоз цепи, потянув за переднюю защиту руки.
2. Ослабьте винт регулировки цепи, а потом и стопорную гайку.
► **Рис.9:** 1. Винт регулировки цепи 2. Стопорная гайка
3. Снимите крышку звездочки, а затем отсоедините пильную цепь и пильную шину от корпуса цепной пилы.

Чтобы установить пильную цепь, выполните следующие действия:

1. Проверьте направление движения пильной цепи. Направление пильной цепи должно совпадать с направлением, обозначенным отметкой на корпусе цепной пилы.
2. Поместите один конец пильной цепи на верхнюю часть стержня направляющей.
3. Оберните другой конец пильной цепи вокруг звездочки, потом прикрепите стержень направляющей к корпусу цепной пилы, совместив отверстие на стержне направляющей со штифтом на корпусе цепной пилы.
► **Рис.10:** 1. Звездочка 2. Отверстие
4. Вставьте выступ на крышке звездочки в корпус цепной пилы и закройте крышку таким образом, чтобы болт и штифты на корпусе цепной пилы совместились с ответными частями на крышке.
► **Рис.11:** 1. Выступ 2. Крышка звездочки 3. Болт 4. Штифт

5. Затяните стопорную гайку, чтобы зафиксировать крышку звездочки, затем немного ослабьте ее для регулировки натяжения.
► **Рис.12:** 1. Стопорная гайка

Регулирование натяжения пильной цепи

⚠ВНИМАНИЕ: Не перетягивайте пильную цепь. Слишком сильное натяжение пильной цепи может привести к ее разрыву, износу направляющей шины и поломке ручки регулировки.

⚠ВНИМАНИЕ: Слишком слабо натянутая цепь может соскочить с шины, что создаст риск получения травмы.

После многочасового использования пильная цепь может ослабнуть. Перед использованием периодически проверяйте натяжение пильной цепи.

1. Отпустите тормоз цепи, потянув за переднюю защиту руки.
2. Чтобы слегка ослабить крышку звездочки, немного ослабьте стопорную гайку.
► **Рис.13:** 1. Стопорная гайка
3. Слегка поднимите кончик пильной шины и отрегулируйте натяжение цепи. Чтобы усилить натяжение, поверните винт регулировки цепи по часовой стрелке, чтобы ослабить – против часовой стрелки.

Для цепных лезвий 90PX и 91PX:

Натягивайте пильную цепь до тех пор, пока нижняя сторона пильной цепи не войдет в паз пильной шины, как показано на рисунке.

- **Рис.14:** 1. Пильная шина 2. Пильная цепь
3. Винт регулировки цепи

Для цепного лезвия 25AP:

Натягивайте пильную цепь до тех пор, пока расстояние между центром нижней части пильной шины и пильной цепью не станет равным 1 мм до 2 мм.

4. Затяните крышку звездочки, придерживая при этом пильную шину.

Для цепных лезвий 90PX и 91PX:

Убедитесь в том, что пильная цепь не провисает с нижней стороны.

Для цепного лезвия 25AP:

Убедитесь в том, что расстояние между центром нижней части пильной шины и пильной цепью составляет 1 мм до 2 мм.

5. Чтобы закрепить крышку звездочки, затяните стопорную гайку.

- **Рис.15:** 1. Стопорная гайка

Убедитесь, что пильная цепь плотно посажена с нижней стороны шины.

Зубчатый бампер

Дополнительные принадлежности

При отрезании толстых веток рекомендуется использовать зубчатый бампер. Для установки зубчатого бампера выполните указанные ниже действия.

1. Снимите крышку звездочки, пильную цепь и стержень направляющей.
2. Совместите отверстия на зубчатом бампере с отверстиями на корпусе цепной пилы и плотно затяните винты.

- **Рис.16:** 1. Винт 2. Зубчатый бампер

ЭКСПЛУАТАЦИЯ

Смазка

Смазка пильной цепи осуществляется автоматически во время работы. Периодически проверяйте количество масла в баке через контрольное окно уровня масла.

Чтобы долить масло в бак, положите цепную пилу на бок и снимите крышку маслобака. Необходимое количество масла — 140 мл. После долива масла проверьте надежность затяжки крышки маслобака.

- **Рис.17:** 1. Крышка маслобака 2. Контрольное окно уровня масла

После долива удерживайте пилу на расстоянии от дерева. Включите пилу и подождите, пока пильная цепь не будет смазана должным образом.

- **Рис.18**

ПРИМЕЧАНИЕ: При первой заливке масла или при его добавлении после полного опорожнения емкости заливайте масло до нижнего края заливной горловины. В противном случае, подача масла может быть нарушена.

ПРИМЕЧАНИЕ: Смазывайте пильные цепи только специальным маслом для цепных пил Makita или аналогичным ему.

ПРИМЕЧАНИЕ: Запрещается использовать загрязненное пылью и прочими частицами масло или летучую смазку.

ПРИМЕЧАНИЕ: При обрезке деревьев используйте масло растительного происхождения. При использовании минерального масла существует вероятность повреждения деревьев.

ПРИМЕЧАНИЕ: Прежде чем приступать к резке, убедитесь, что крышка масляного бака завинчена.

ЭКСПЛУАТАЦИЯ ЦЕПНОЙ ПИЛЫ

ВНИМАНИЕ: Если вы пользуетесь пилой впервые, рекомендуется пилить бревна на козлах или опорной раме.

ВНИМАНИЕ: При распиловке подготовленных бревен используйте надежную опору (козлы или опорную раму). Не придерживайте разрезаемую заготовку ногой и не позволяйте делать это другим.

ВНИМАНИЕ: Круглые детали фиксируйте в направлении, противоположном направлению вращения.

ВНИМАНИЕ: Не приближайте пильную цепь к каким-либо частям тела, если электродвигатель работает.

ВНИМАНИЕ: При работающем электродвигателе крепко держите цепную пилу двумя руками.

ВНИМАНИЕ: При эксплуатации устройства не тянитесь. Всегда сохраняйте устойчивое положение и равновесие.

ПРИМЕЧАНИЕ: Не кидайте и не роняйте инструмент.

ПРИМЕЧАНИЕ: Не закрывайте вентиляционные отверстия инструмента.

Обрезка деревьев

Перед включением цепной пилы поднесите корпус пилы к ветке, которую вы собираетесь распилить, таким образом, чтобы пила и ветка соприкасались. В противном случае стержень направляющей начнет дрожать и может травмировать оператора. При распиливании опускайте дерево вниз, используя вес цепной пилы.

- **Рис.19**

Если ветку нельзя распилить за один заход: слегка надавливая на ручку и продолжая пилить, немного подайте пилу назад.

► **Рис.20**

При отрезании толстых веток сначала выполните неглубокий подрез снизу, после чего выполните окончательный разрез сверху.

► **Рис.21**

Если вы попытаетесь отрезать толстую ветку снизу, может произойти зажатие пильной цепи в разрезе. Если вы попытаетесь отрезать толстую ветку сверху, не выполнив неглубокий разрез снизу, ветка может расколоться.

► **Рис.22**

Раскрывка

1. Используйте дерево, которое собираетесь распилить, в качестве опоры для корпуса цепной пилы.

► **Рис.23**

2. Сделайте пропил при работающей пильной цепи, используя верхнюю ручку для подъема пилы и переднюю рукоятку для ее направления.

3. Продолжайте пиление, слегка надавливая на верхнюю ручку и немного ослабляя заднюю часть пилы.

ПРИМЕЧАНИЕ: При выполнении нескольких распилов выключайте пилу между выполнением распилов.

ВНИМАНИЕ: Если для распиливания используется верхний край шины, цепная пила может выгнуться в вашем направлении, если цепь пилы заклинит. Во избежание этого выполняйте пиление нижним краем шины, чтобы пила изгибалась в сторону от вашего тела.

► **Рис.24**

При распиливании древесины под давлением начинать распиливание необходимо со стороны воздействия давления (А). Окончательный распил выполняется со стороны возникновения растяжения (В). Такой способ пиления позволит избежать зажима шины.

► **Рис.25**

Обрезка сучьев

ВНИМАНИЕ: Обрезка сучьев должна выполняться только опытными рабочими. При обрезке сучьев существует риск возникновения отдачи.

При обрезке сучьев при возможности используйте ствол в качестве опоры. Не пилите концом шины, так как это приведет к возникновению риска отдачи. Особое внимание обращайтесь на ветки, находящиеся в напряженном состоянии. Не пилите снизу ветки, не имеющие опоры.

Во время раскрывки не стойте на поваленном бревне.

Переноска инструмента

Перед переноской инструмента необходимо включить тормоз цепи и извлечь блоки аккумулятора. После этого требуется надеть крышку пильной шины. Также уложите блок аккумулятора в чехол.

► **Рис.26:** 1. Крышка пильной шины 2. Крышка аккумуляторной батареи

ОБСЛУЖИВАНИЕ

ВНИМАНИЕ: Перед проведением проверки или работ по техобслуживанию всегда проверяйте, что инструмент выключен, а блок аккумулятора снят.

ВНИМАНИЕ: При выполнении осмотра или обслуживания всегда надевайте перчатки.

ПРИМЕЧАНИЕ: Запрещается использовать бензин, растворители, спирт и другие подобные жидкости. Это может привести к обесцвечиванию, деформации и трещинам.

Для обеспечения БЕЗОПАСНОСТИ и НАДЕЖНОСТИ оборудования ремонт, любое другое техобслуживание или регулировку необходимо производить в уполномоченных сервис-центрах Makita или сервис-центрах предприятия с использованием только сменных частей производства Makita.

Заточка пильной цепи

Выполните заточку пильной цепи, если:

- При пиления влажной древесины образуются рыхлые опилки;
- Цепь с трудом входит в древесину даже при приложении значительного усилия на пилу;
- Края распилы имеют явные повреждения;
- Пилу при пиления тянет влево или вправо. (из-за неравномерной заточки пильной цепи или повреждения только с одной стороны)

Выполняйте заточку пильной цепи достаточно часто, но понемногу. Для заточки пилы при проведении повседневного ухода обычно достаточно двух или трех проходов напильником. После нескольких заточек заточите пильную цепь в авторизованном сервисном центре.

Требования к заточке:

ОСТОРОЖНО: Слишком большое расстояние между режущей кромкой и глубиномером повышает риск отбрасывания инструмента из-за отдачи.

- **Рис.27:**
1. Длина режущего элемента
 2. Расстояние между режущей кромкой и глубиномером
 3. Минимальная длина зубьев (3 мм)

— Длина всех зубьев должна быть одинаковой. Зубья разной длины будут затруднять плавное движение пильной цепи и могут привести к ее разрыву.

- Если длина зубьев пильной цепи 3 мм или меньше, заточивать цепь запрещено. В этом случае пильную цепь необходимо заменить.
- Толщина опилок определяется расстоянием между глубинометром (круглый выступ) и краем режущей кромки.
- Наилучшие результаты достигаются при соблюдении следующего расстояния между режущей кромкой и глубинометром.
 - Цепное лезвие 90PX : 0,65 мм
 - Цепное лезвие 91PX : 0,65 мм
 - Цепное лезвие 25AP : 0,65 мм

► **Рис.28**

- Угол заточки в 30° должен соблюдаться на всех зубьях. Разница в углах заточки может привести к резкому и неравномерному движению цепи, ускоренному износу и к разрыву цепи.
- Необходимо использовать подходящий круглый напильник, чтобы угол заточки был направлен от зубьев.
 - Цепное лезвие 90PX : 55°
 - Цепное лезвие 91PX : 55°
 - Цепное лезвие 25AP : 55°

Напильник и заточка напильником

- Для заточки цепей пилы используйте специальный круглый напильник (дополнительная принадлежность). Обычные круглые напильники не подходят для заточки цепей.
- Диаметр круглого напильника для каждой пильной цепи:
 - Цепное лезвие 90PX : 4,5 мм
 - Цепное лезвие 91PX : 4,0 мм
 - Цепное лезвие 25AP : 4,0 мм
- Напильник должен стачивать зуб только при движении вперед. При перемещении напильника назад приподнимайте его над зубьями.
- Сначала наточите самый короткий зуб. Длина этого зуба будет служить ориентиром для остальных зубьев пильной цепи.
- Направляйте напильник, как показано на рисунке.

► **Рис.29:** 1. Напильник 2. Пильная цепь

- При использовании держателя напильника (дополнительная принадлежность) направлять напильник будет значительно легче. Держатель напильника имеет метки для правильного угла заточки в 30° (совместите метки параллельно с пильной цепью) и ограничивает глубину проникновения (до 4/5 диаметра напильника).

► **Рис.30:** 1. Держатель напильника

- После заточки цепи проверьте высоту глубинометра, используя для этого измерительный инструмент для цепи (дополнительная принадлежность).

► **Рис.31**

- Удалите любые, даже небольшие, выступы материала при помощи специального плоского напильника (дополнительная принадлежность).
- Закруглите еще раз переднюю часть глубинометра.

Очистка пильной шины

В пазе пильной шины накапливаются щепки и опилки. Это может привести к засорению паза и ухудшить ток масла. Поэтому при заточке или замене пильной цепи необходимо выполнять очистку от щепок и опилок.

► **Рис.32**

Очистка крышки звездочки

Во внутренней части крышки звездочки накапливаются щепки и опилки. Поэтому необходимо снимать крышку звездочки и отсоединять пильную цепь от инструмента, а затем выполнять очистку от щепок и опилок.

► **Рис.33**

Очистка отверстия для подачи масла

Во время работы мелкая пыль или частицы могут скапливаться в отверстии для подачи масла. Они могут негативно повлиять на подачу масла и привести к недостаточной смазке всей пильной цепи. В случае ухудшения подачи масла к цепи в верхней части пильной шины очистите отверстие для подачи масла следующим образом.

1. Снимите крышку звездочки и пильную цепь с инструмента.
 2. Удалите мелкую пыль или частицы с помощью плоской отвертки с тонким стержнем или аналогичного инструмента.
- **Рис.34:** 1. Шлицевая отвертка 2. Отверстие нагнетания масла

3. Вставьте блок аккумулятора в инструмент. Нажмите на триггерный переключатель для вымывания пыли и мелких частиц через отверстие подачи масла.
4. Выньте блок аккумулятора из инструмента. Установите крышку звездочки и пильную цепь обратно на инструмент.

Замена звездочки

▲ВНИМАНИЕ: Изношенная звездочка приведет к повреждению новой пильной цепи. Во избежание этого замените звездочку.

Перед установкой новой пильной цепи проверьте состояние звездочки.

► **Рис.35:** 1. Звездочка 2. Подвергающиеся износу участки

При замене звездочки всегда устанавливайте новое блокирующее кольцо.

► **Рис.36:** 1. Блокирующее кольцо 2. Звездочка

ПРИМЕЧАНИЕ: Убедитесь, что звездочка была установлена, как показано на рисунке.

Хранение инструмента

1. Перед хранением почистите пилу. Сняв крышку звездочки, удалите щепки и опилки.
2. После очистки инструмента включите его на холостом ходу, чтобы смазать пыльную цепь и пыльную шину.
3. Закройте пыльную шину крышкой.
4. Опорожните масляный бак.

Указания по периодическому обслуживанию

Чтобы обеспечить продолжительный срок эксплуатации, предотвратить повреждения и обеспечить правильную работу защитных устройств, необходимо регулярно проводить обслуживание. Гарантийные претензии принимаются только при условии надлежащего и регулярного выполнения этих работ. Невыполнение обязательного обслуживания может стать причиной происшествий! Пользователь цепной пилы не должен проводить обслуживание, не описанное в настоящем руководстве. Все подобные работы должны выполняться только в авторизованном сервисном центре.

Элемент, подлежащий проверке / Время эксплуатации		Перед началом работы	Ежедневно	Еженедельно	Каждые 3 месяца	Ежегодно	Перед хранением
Цепная пила	Осмотр.	✓	-	-	-	-	-
	Очистка.	-	✓	-	-	-	-
	Проверьте в авторизованном сервисном центре.	-	-	-	-	✓	✓
Пыльная цепь	Осмотр.	✓	-	-	-	-	-
	При необходимости заточите.	-	-	-	-	-	✓
Пыльная шина	Осмотр.	✓	✓	-	-	-	-
	Снимите с цепной пилы.	-	-	-	-	-	✓
Тормоз цепи	Проверьте работу.	✓	-	-	-	-	-
	Регулярно передавать для осмотра в авторизованный сервисный центр.	-	-	-	✓	-	-
Смазка цепи	Проверьте скорость подачи масла.	✓	-	-	-	-	-
Триггерный переключатель	Осмотр.	✓	-	-	-	-	-
Рычаг разблокировки	Осмотр.	✓	-	-	-	-	-
Крышка маслобака	Проверьте герметичность.	✓	-	-	-	-	-
Уловитель цепи	Осмотр.	-	-	✓	-	-	-
Винты и гайки	Осмотр.	-	-	✓	-	-	-

ПОИСК И УСТРАНЕНИЕ НЕИСПРАВНОСТЕЙ

Прежде чем обращаться по поводу ремонта, проведите осмотр самостоятельно. Если обнаружена неисправность, не указанная в руководстве, не пытайтесь разобрать инструмент. Обратитесь в один из авторизованных сервисных центров Makita, в которых для ремонта всегда используются оригинальные детали Makita.

Неисправность	Причина	Действие
Цепная пила не включается.	Не вставлен блок аккумулятора.	Установите заряженный блок аккумулятора.
	Неисправен аккумулятор (низкое напряжение).	Повторно зарядите блоки аккумулятора. Если перезарядка не помогает, замените блок аккумулятора.
	Основной переключатель питания выключен.	Цепная пила автоматически отключается при бездействии в течение определенного времени. Снова включите основной переключатель питания.
Пильная цепь не работает.	Включен тормоз цепи.	Отпустите тормоз цепи.
После непродолжительного использования двигатель останавливается.	Низкий уровень заряда аккумулятора.	Повторно зарядите блоки аккумулятора. Если перезарядка не помогает, замените блок аккумулятора.
Нет масла на цепи.	Масляный бак пуст.	Заполните масляный бак.
	Загрязнен направляющий желоб для масла.	Очистите желоб.
	Недостаточная подача масла.	Отрегулируйте подачу масла с помощью винта регулировки.
Цепная пила не достигает максимального числа оборотов в минуту.	Неправильно установлен блок аккумулятора.	Вставьте блок аккумулятора, как описано в этом руководстве.
	Заряд аккумулятора падает.	Зарядите блок аккумулятора. Если перезарядка не помогает, замените блок аккумулятора.
	Привод работает неправильно.	Обратитесь в авторизованный сервисный центр в вашем регионе для выполнения ремонта.
Основной индикатор питания мигает зеленым.	Триггерный переключатель активирован в условиях, когда эксплуатация невозможна.	Включите основной переключатель питания и отпустите тормоз цепи. После этого потяните триггерный переключатель.
Цепь не останавливается даже после включения тормоза цепи: Немедленно выключите оборудование!	Тормозная лента износилась.	Обратитесь в авторизованный сервисный центр в вашем регионе для выполнения ремонта.
Сильная вибрация: Немедленно выключите оборудование!	Ослабьте пильную шину или пильную цепь.	Отрегулируйте натяжение пильной шины и пильной цепи.
	Неисправность инструмента.	Обратитесь в авторизованный сервисный центр в вашем регионе для выполнения ремонта.
Режим повышенного крутящего момента недоступен после установки полностью заряженного блока аккумулятора.	В зависимости от условий использования режим повышенного крутящего момента может быть недоступен после замены блока аккумулятора.	Эксплуатируйте инструмент в нормальном режиме, пока вставленный блок аккумулятора не разрядится, после чего вставьте полностью заряженный блок аккумулятора или зарядите блок аккумулятора.

ДОПОЛНИТЕЛЬНЫЕ ПРИНАДЛЕЖНОСТИ

⚠ ВНИМАНИЕ: Данные принадлежности или приспособления рекомендуются для использования с инструментом Makita, указанным в настоящем руководстве. Использование других принадлежностей или приспособлений может привести к получению травмы. Используйте принадлежность или приспособление только по указанному назначению.

Если вам необходимо содействие в получении дополнительной информации по этим принадлежностям, свяжитесь с вашим сервис-центром Makita.

- Пильная цепь
- Пильная шина
- Крышка пильной шины
- Звездочка
- Зубчатый бампер
- Напильник
- Сумка для инструмента
- Оригинальный аккумулятор и зарядное устройство Makita

⚠ ОСТОРОЖНО: При покупке пильной шины, которая отличается по длине от стандартной модели, вместе с ней необходимо также приобрести крышку пильной шины подходящего размера. Убедитесь, что эта крышка подходит и полностью закрывает пильную шину цепной пилы.

ПРИМЕЧАНИЕ: Некоторые элементы списка могут входить в комплект инструмента в качестве стандартных приспособлений. Они могут отличаться в зависимости от страны.

Makita Europe N.V. Jan-Baptist Vinkstraat 2,
3070 Kortenberg, Belgium

Makita Corporation 3-11-8, Sumiyoshi-cho,
Anjo, Aichi 446-8502 Japan

www.makita.com

885630-981
EN, SV, NO, FI, LV,
LT, ET, RU
20180315