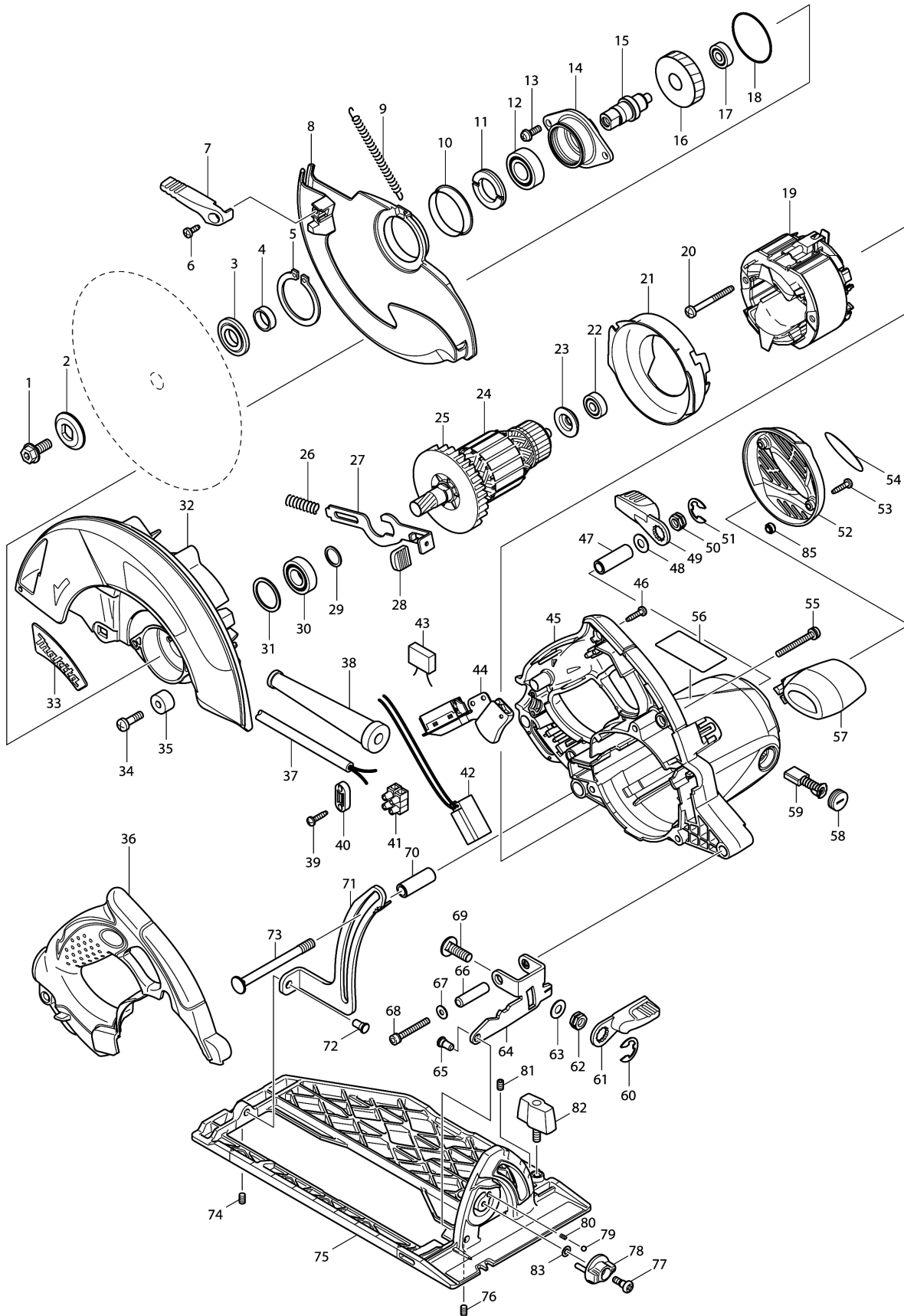


Model No.5008MG CIRCULAR SAW 210MM



Model No.5008MG CIRCULAR SAW 210MM

Item	Parts No.	Description	I/C	Qty	New/Old	Opt. 1	Opt. 2	Note
001	266283-4	HEX. SOCKET HEX. BOLT M8X20		1				
002	224409-4	OUTER FLANGE 35		1				
003	224412-5	INNER FLANGE 35		1	*			
003-1	224473-5	INNER FLANGE 35	O	1	*			
003-2	224593-5	INNER FLANGE 35	<	1				
004	257279-6	RING 17		1				
005	961201-4	RETAINING RING S-42		1				
006	266398-7	TAPPING SCREW BIND CT 4X12		1				
007	272258-3	LEVER 37		1				
008	318175-4	SAFETY COVER		1				
009	231848-1	TENSION SPRING 4		1				
010	345422-0	SPACER		1	*			
010-1	346880-3	SPACER	<	1				
011	285848-3	BEARING RETAINER 23-36		1				
012A	211275-8	BALL BEARING 6003DDW		1	*			
012-1A	210301-0	BALL BEARING 6003DDW	O	1				
012-1B	210301-0	BALL BEARING 6003DDW		1				
013	911223-4	PAN HEAD SCREW M5X16		2				
014	318056-2	BEARING BOX		1				
015	324690-8	SPINDLE		1				
016	226662-8	HELICAL GEAR 43		1				
017	211031-6	BALL BEARING 608LLB		1				
018	213623-7	O RING 46		1				
019	596289-1	FIELD ASS'Y 240V		1				
C10	654020-2	RING TERMINAL		2				
C20	654502-4	CONNECTOR P-2		2				
020	266397-9	TAPPING SCREW BIND 5X50		2				
021	419548-5	BAFFLE PLATE		1				
022	211031-6	BALL BEARING 608LLB		1				
023	681625-5	INSULATION WASHER		1				
024	517763-6	ARMATURE ASS'Y 220V		1				
D10		INC. 22,23,25,29,30						
025	240003-4	FAN 80		1				
026	231297-2	COMPRESSION SPRING 9		1				
027	345717-1	SHAFT LOCK		1				
028	286275-7	CAP		1				
029	267280-3	FLAT WASHER 15		1				
030	211236-8	BALL BEARING 6002DDW		1				
031	261132-0	URETHANE WASHER 26		1				
032	188446-1	BLADE CASE SET		1				
C10	213459-4	O RING 32		1				

Model No.5008MG CIRCULAR SAW 210MM

Item	Parts No.	Description	I/C	Qty	New/Old	Opt. 1	Opt. 2	Note
C20	263002-9	RUBBER PIN 4		1				
C30	816892-5	SCALE PLATE		1				
D10		INC. 33						
033	819234-2	MAKITA LOGO PLATE		1				
034	251247-1	+ PAN HEAD SCREW M6X20		1				
035	262552-1	RUBBER SLEEVE 6		1				
036	419553-2	HANDLE COVER		1				
037	665865-3	POWER SUPPLY CORD 1.0-2-2.5		1				
038	682564-2	CORD GUARD		1				
039	266326-2	TAPPING SCREW 4X18		2				
040	687124-5	STRAIN RELIEF		1				
041	654531-7	TERMINAL BLOCK 2P		1				
042	631710-4	LIGHT CIRCUIT		1				
043	645200-1	NOISE SUPPRESSOR		1				
044	651189-3	SWITCH TG933TN-2		1				
045	158100-1	MOTOR HOUSING COMPLETE		1				
C10	643653-8	BRUSH HOLDER 6.5-13.5		2				
046	266326-2	TAPPING SCREW 4X18		5				
047	331719-3	PIPE 9		1				
048	941201-0	FLAT WASHER 8		1				
049	272253-3	LEVER 56		1				
050	252199-9	HEX. NUT M8-13		1				
051	257953-6	BOW STOP RING E-12		1				
052	188448-7	REAR COVER SET		1				
D10		INC. 54						
053	266326-2	TAPPING SCREW 4X18		2				
054	819237-6	MAKITA LOGO LABEL		1				
055	911268-2	PAN HEAD SCREW M5X45		3				
056	863999-8	5008MG NAME PLATE		1				
057	419550-8	FRONT GRIP		1				
058	643650-4	BRUSH HOLDER CAP 6.5-13.5		2	*			
058-1	643650-4	BRUSH HOLDER CAP 6.5-13.5	O	2				
059	181044-0	CARBON BRUSH CB-153		1				
060	257953-6	BOW STOP RING E-12		1				
061	272253-3	LEVER 56		1				
062	252199-9	HEX. NUT M8-13		1				
063	941201-0	FLAT WASHER 8		1				
064	345835-5	ANGULAR GUIDE		1				
065A	256480-0	SHOULDER PIN 6-7		1	*			
065-1A	256511-5	SHOULDER PIN 6-7	<	1				
065-1B	256511-5	SHOULDER PIN 6-7		1				
066	257759-2	SLEEVE 6		1				

Please order the parts with part number.

Print Date 25/3/2020

Model No.5008MG CIRCULAR SAW 210MM

Item	Parts No.	Description	I/C	Qty	New/Old	Opt. 1	Opt. 2	Note
067	941101-4	FLAT WASHER 5		1				
068	922261-1	HEX. SOCKET HEAD BOLT M5X40		1				
069	266396-1	FLATHEAD SQUARENECKBOLT M8X24		1				
070	331719-3	PIPE 9		1				
071	345833-9	DEPTH GUIDE		1				
072A	256480-0	SHOULDER PIN 6-7		1	*			
072-1A	256511-5	SHOULDER PIN 6-7	<	1				
072-1B	256511-5	SHOULDER PIN 6-7		1				
073	266237-1	CAP SQUARE NECK BOLT M8X90		1				
074	266229-0	H.S.SET SCREW(CUP POINT)M5X8		1				
075	158423-7	BASE COMPLETE		1				
C10	816894-1	SCALE PLATE		1				
076	266229-0	H.S.SET SCREW(CUP POINT)M5X8		1				
077	251370-2	+ PAN HEAD SCREW M5		1				
078	419549-3	DIAL 27		1				
079	216008-6	STEEL BALL 4		1				
080	233314-4	COMPRESSION SPRING 4		1				
081	266229-0	H.S.SET SCREW(CUP POINT)M5X8		1				
082	251858-2	DIAL SCREW M6X15		1				
083	253811-4	FLAT WASHER 5		1				
085	450351-5	SPACER		2				
A01	164095-8	GUIDE RULE		1				
A02	783204-6	HEX. WRENCH 6		1				
A03	450079-5	DUST NOZZLE		1				
A04	911223-4	PAN HEAD SCREW M5X16		1				
A05	D-29050	T.C.T.SAW BLADE 210X30X24T		1				
A06B	821552-6	CONNECTOR PLASTIC CASE (TYPE4)		1	*			
C10	453974-8	LATCH		4	*			
A06-1B	821552-6	CONNECTOR PLASTIC CASE (TYPE4)	<	1				
C10	453974-8	LATCH		4				
A07B	837657-2	INNER TRAY		1				
A08B	800X30-3	5008MGJ INDICATION LABEL		1				
A09B	800X31-1	5008MGJ PLASTIC CASE LABEL		2				
B01	194489-3	DUST NOZZLE SET		1				
D10		INC. 7,A03,A04						

Please order the parts with part number.

Print Date 25/3/2020