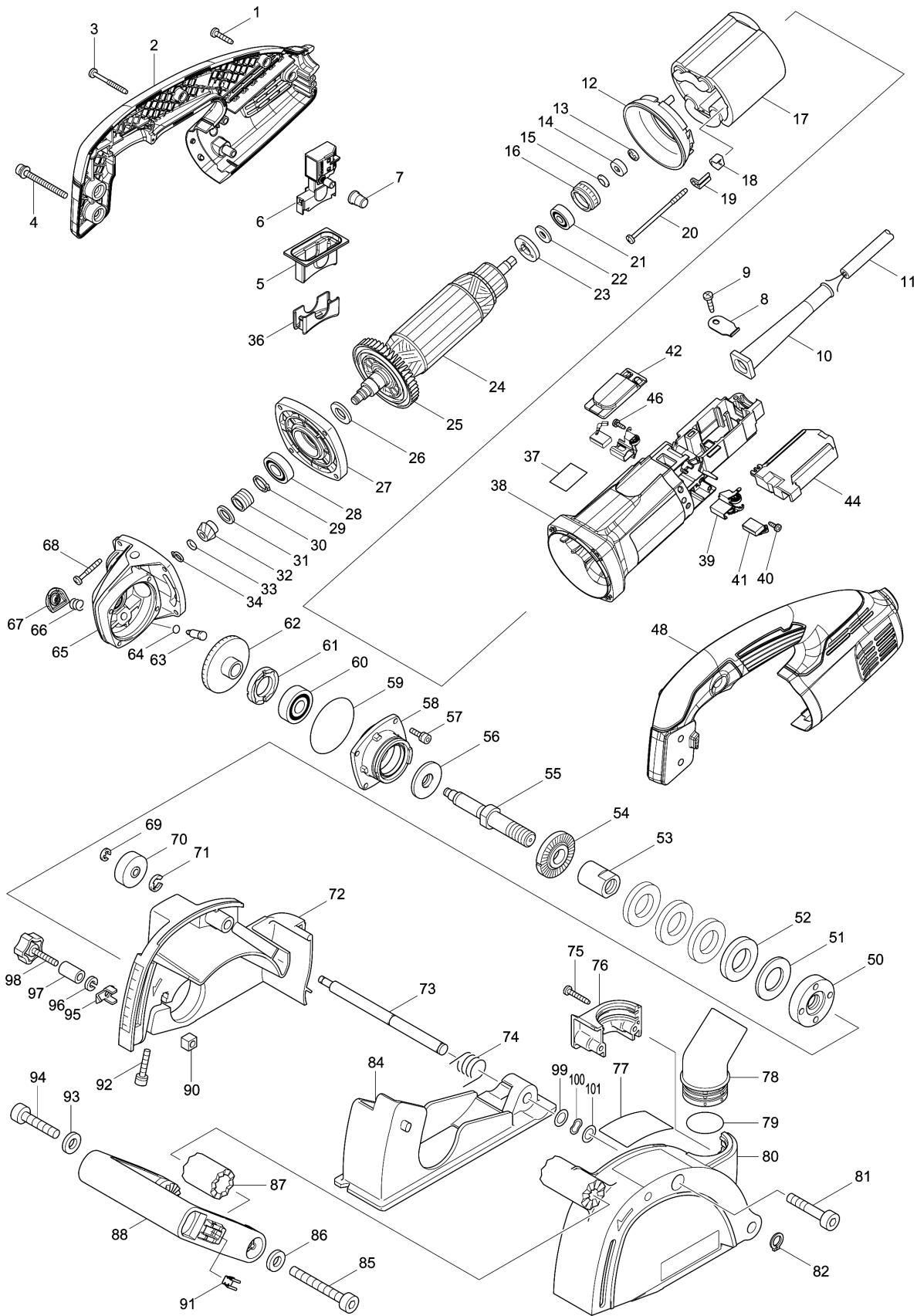


Model No.SG1251 125MM(5")WALL CHASER



Model No.SG1251 125MM(5")WALL CHASER

Item	Parts No.	Description	I/C	Qty	New/Old	Opt. 1	Opt. 2	Note
001	265995-6	TAPPING SCREW 4X18		3				
002	187942-6	HANDLE SET		1				
D10		INC. 48						
003	266048-4	TAPPING SCREW 4X40		3				
004	911263-2	PAN HEAD SCREW M5X40		2				
005	424457-5	DUST COVER		1				
006	650113-3	SWITCH SGEL115CDY-15		1				
007	421459-2	DUST COVER		1				
008	687169-3	STRAIN RELIEF		1				
009	266192-7	TAPPING SCREW 4X14		1				
010	682573-1	CORD GUARD 10		1				
011	665883-1	POWER SUPPLY CORD 1.0-2-5.0		1				
012	413076-2	BAFFLE PLATE		1				
013	259039-2	SELF LOCK 6		1				
014	688117-5	MAGNET SLEEVE		1				
015	267756-0	WAVE WASHER 6		1				
016	421738-8	LABYRINTH RUBBER RING 22		1				
017	626678-7	FIELD 220-240V		1				
018	417237-6	INSULATION COVER		2				
019	344871-8	RETAINER		2				
020	266258-3	TAPPING SCREW 4X70		2				
021	210027-4	BALL BEARING 627DDW		1				
022	253823-7	FLAT WASHER 7		1				
023	681656-4	INSULATION WASHER		1				
024	515208-8	ARMATURE ASS'Y 220-240V		1				
D10		INC. 21-23,25						
025	240033-5	FAN 57		1				
026	253084-9	FLAT WASHER 12		1				
027	317359-1	GEAR HOUSING COVER		1				
028	210105-0	BALL BEARING 6001LLU		1				
029	961052-5	RETAINING RING S-12		1				
030	233901-9	LOCK SPRING 12		1				
031	253052-2	FLAT WASHER 12		1				
032	227429-7	SPIRAL BEVEL GEAR 9		1				
033	253077-6	FLAT WASHER 6		1				
034	961002-0	RETAINING RING S-6		1				
036	452942-8	SWITCH COVER		1				
037	804W32-5	SJS MARK LABEL		1				
038	455385-3	MOTOR HOUSING		1				
039	643760-7	BRUSH HOLDER		2				
040	266256-7	TAPPING SCREW PT3X10		2				
041	191978-9	A.C. CARBON BRUSH CB-318		1				

Please order the parts with part number.

Print Date 31/3/2020

Model No.SG1251 125MM(5")WALL CHASER

Item	Parts No.	Description	I/C	Qty	New/Old	Opt. 1	Opt. 2	Note
042	455386-1	MOTOR HOUSING COVER		1				
044	620336-7	CONTROLLER		1				
046	266256-7	TAPPING SCREW PT3X10		2				
048	187942-6	HANDLE SET		1				
D10		INC. 2						
050	224577-3	LOCK NUT 14-45		1				
051	331661-8	SPACER 3		1				
052	331662-6	SPACER 6		4				
053	257732-2	SLEEVE 14		1				
054	224415-9	INNER FLANGE 42		1				
055	324393-4	SPINDLE		1				
056	415300-9	LABYRINTH RING		1				
057	265490-6	HEX. SOCKET HEAD BOLT M4X16		4				
058	318302-3	BEARING BOX		1				
059	213673-2	O RING 52		1				
060	211129-9	BALL BEARING 6201DDW		1				
061	285841-7	BEARING RETAINER		1				
062	227430-2	SPIRAL BEVEL GEAR 35		1				
063	256459-1	PIN		1				
064	213048-5	O RING 6		1				
065	153488-4	GEAR HOUSING COMPLETE		1				
066	233072-2	COMPRESSION SPRING 8		1				
067	418067-8	PIN CAP		1				
068	266257-5	TAPPING SCREW 4X28		4				
069	961011-9	STOP RING E-4		1				
070	257227-5	RING 6		1				
071	961014-3	STOP RING E-8		1				
072	153685-2	BLADE CASE COMPLETE		1				
073	324392-6	SHOULDER SHAFT		1				
074	231655-2	TORSION SPRING 11		1				
075	266040-0	TAPPING SCREW CT 4X25		2				
076	418390-1	DUST COVER		1				
077	850F04-6	SG1251 NAME PLATE		1				
078	416741-2	ELBOW		1				
079	213423-5	O RING 30		1				
080	317725-2	COVER		1				
081	922466-3	HEX.SOCKET HEAD BOLT M8X45		1				
082	961006-2	RETAINING RING S-10		1				
084	317723-6	BASE		1				
085	922487-5	HEX. SOCKET HEAD BOLT M8X65		1				
086	941201-0	FLAT WASHER 8		1				

Please order the parts with part number.

Print Date 31/3/2020

Model No.SG1251 125MM(5")WALL CHASER

Item	Parts No.	Description	I/C	Qty	New/Old	Opt. 1	Opt. 2	Note
087	223145-9	CAM		1				
088	417665-5	FRONT GRIP		1				
090	252185-0	SQUARE NUT M6		1				
091	344391-2	BIT HOLDER		1				
092	922251-4	HEX. SOCKET HEAD BOLT M5X30		1				
093	941201-0	FLAT WASHER 8		1				
094	922462-1	HEX. SOCKET HEAD BOLT M8X40		1				
095	345364-8	INDICATOR		1				
096	942151-2	SPRING WASHER 6		1	*			
096-1	253428-3	SPRING WASHER 6	O	1				
097	257731-4	SLEEVE 7		1				
098	251897-2	SCREW M6X33		1				
099	253310-6	THIN WASHER 10		1				
100	267783-7	WAVE WASHER 10		1				
101	253310-6	THIN WASHER 10		1				
A01	A-80438	D.WHEEL 125X22.23		2				
A02	782407-9	LOCK NUT WRENCH 35		1	*			
A02-1	782034-2	LOCK NUT WRENCH 35	O	1				
A03	783204-6	HEX. WRENCH 6		1				
A04	821552-6	CONNECTOR PLASTIC CASE (TYPE4)		1				
C10	453974-8	LATCH		4				
A05	838111-9	INNER TRAY		1				
A06	804Y88-0	SG1251J INDICATION LABEL		1				
A07	804Y89-8	SG1251J PLASTIC CASE LABEL		2				
E01	654532-5	TERMINAL BLOCK 1P		1				
E02	645089-7	NOISE SUPPRESSOR		1				

Please order the parts with part number.

Print Date 31/3/2020