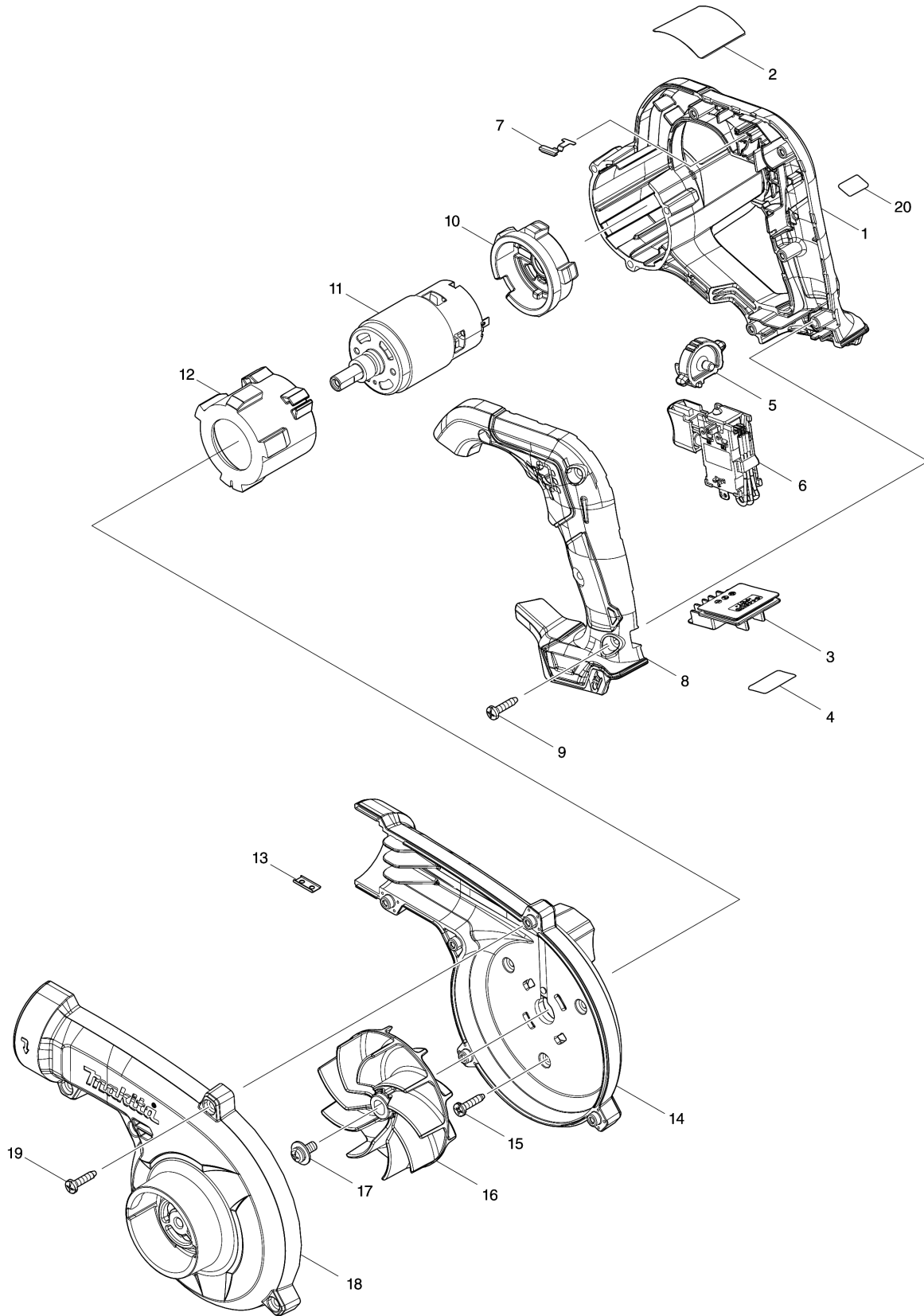


Model No.UB101D CORDLESS BLOWER



Model No.UB101D CORDLESS BLOWER

| Item | Parts No. | Description | I/C | Qty | New/Old | Opt. 1 | Opt. 2 | Note |
|------|-----------|---------------------------------|-----|-----|---------|--------|--------|------|
| 001 | 183R73-7 | MOTOR HOUSING SET | | 1 | | | | |
| D10 | | INC. 8 | | | | | | |
| 002 | 857R27-7 | UB101D NAME PLATE | | 1 | | | | |
| 003 | 644813-5 | TERMINAL | | 1 | | | | |
| 004 | 857R34-0 | UB101D SERIAL NO. LABEL | | 1 | | | | |
| 005 | 412573-5 | DIAL | | 1 | | | | |
| 006 | 632R61-6 | SWITCH UNIT | | 1 | | | | |
| C10 | 688165-4 | LINE FILTER | | 1 | | | | |
| 007 | 232620-4 | LEAF SPRING | | 1 | | | | |
| 008 | 183R73-7 | MOTOR HOUSING SET | | 1 | | | | |
| D10 | | INC. 1 | | | | | | |
| 009 | 266326-2 | TAPPING SCREW 4X18 | | 5 | | | | |
| 010 | 422589-2 | MOTOR RUBBER RING B | | 1 | | | | |
| 011 | 629A20-7 | DC MOTOR | | 1 | | | | |
| 012 | 422588-4 | MOTOR RUBBER RING A | | 1 | | | | |
| 013 | 345998-7 | SET PLATE | | 1 | | | | |
| 014 | 183R77-9 | FAN HOUSING SET | | 1 | | | | |
| C10 | 8012T7-9 | CAUTION LABEL | | 1 | | | | |
| D10 | | INC. 18 | | | | | | |
| 015 | 266326-2 | TAPPING SCREW 4X18 | | 3 | | | | |
| 016 | 240210-9 | FAN 85 | | 1 | | | | |
| 017 | 265B25-5 | PAN HEAD SCREW M5X12 WITH WG | | 1 | | | | |
| 018 | 183R77-9 | FAN HOUSING SET | | 1 | | | | |
| C10 | 8012T7-9 | CAUTION LABEL | | 1 | | | | |
| D10 | | INC. 14 | | | | | | |
| 019 | 266326-2 | TAPPING SCREW 4X18 | | 5 | | | | |
| 020 | 8022C7-3 | SOUND 87DB LABEL | | 1 | | | | |
| A01 | 191G09-6 | GARDEN NOZZLE ASSEMBLY SET | | 1 | | | | |
| C10 | 412574-3 | JOINT | | 1 | | | | |

Please order the parts with part number.

Print Date 1/9/2020