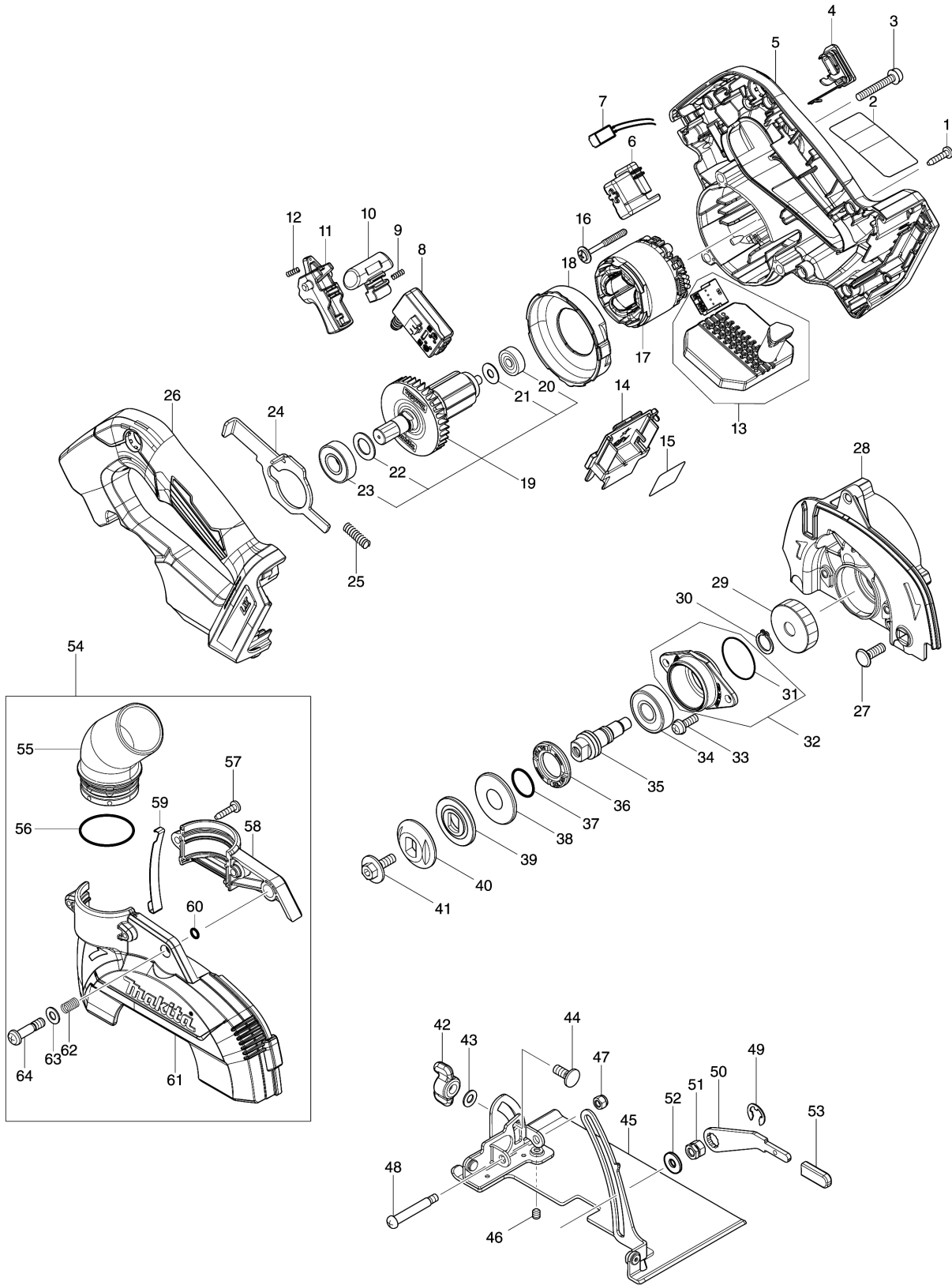


Model No.DCC500 125MM CORDLESS DUSTLESS CUTTER



Model No.DCC500 125MM CORDLESS DUSTLESS CUTTER

| Item | Parts No. | Description                    | I/C | Qty | New/Old | Opt. 1 | Opt. 2 | Note |
|------|-----------|--------------------------------|-----|-----|---------|--------|--------|------|
| 001  | 266326-2  | TAPPING SCREW 4X18             |     | 6   |         |        |        |      |
| 002  | 858D79-7  | DCC500 NAME PLATE              |     | 1   |         |        |        |      |
| 003  | 911258-5  | PAN HEAD SCREW M5X35           |     | 3   |         |        |        |      |
| 004  | 140F99-0  | CAP COMPLETE                   |     | 1   |         |        |        |      |
| C10  | 213218-6  | O RING 16                      |     | 1   |         |        |        |      |
| C20  | 818H07-8  | CAP LABEL                      |     | 1   |         |        |        |      |
| 005  | 140Y20-3  | MOTOR HOUSING COMPLETE         |     | 1   |         |        |        |      |
| C10  | 263005-3  | RUBBER PIN 6                   |     | 3   |         |        |        |      |
| 006  | 459256-6  | HOLDER                         |     | 1   |         |        |        |      |
| 007  | 620936-3  | LED CIRCUIT                    |     | 1   |         |        |        |      |
| 008  | 651083-9  | SWITCH C3XA-1PSPM              |     | 1   |         |        |        |      |
| 009  | 231433-0  | COMPRESSION SPRING 4           |     | 1   |         |        |        |      |
| 010  | 459264-7  | LOCK OFF BUTTON                |     | 1   |         |        |        |      |
| 011  | 458594-3  | SWITCH LEVER                   |     | 1   |         |        |        |      |
| 012  | 231433-0  | COMPRESSION SPRING 4           |     | 1   |         |        |        |      |
| 013  | 620E44-0  | CONTROLLER                     |     | 1   |         |        |        |      |
| 014  | 643874-2  | TERMINAL                       |     | 1   |         |        |        |      |
| 015  | 858D86-0  | DCC500 SERIAL NO. LABEL        |     | 1   |         |        |        |      |
| 016  | 265679-6  | TAPPING SCREW 4X40             |     | 2   |         |        |        |      |
| 017  | 629A39-6  | STATOR                         |     | 1   |         |        |        |      |
| 018  | 413291-8  | BAFFLE PLATE                   |     | 1   |         |        |        |      |
| 019  | 519665-2  | ROTOR ASS'Y                    |     | 1   |         |        |        |      |
| D10  |           | INC. 20-23                     |     |     |         |        |        |      |
| 020  | 210022-4  | BALL BEARING 626DDW            |     | 1   |         |        |        |      |
| 021  | 253332-6  | THIN WASHER 6                  |     | 1   |         |        |        |      |
| 022  | 253744-3  | FLAT WASHER 12                 |     | 1   |         |        |        |      |
| 023  | 211131-2  | BALL BEARING 6001DDW           |     | 1   |         |        |        |      |
| 024  | 347785-0  | SHAFT LOCK                     |     | 1   |         |        |        |      |
| 025  | 232667-8  | COMPRESSION SPRING 6           |     | 1   |         |        |        |      |
| 026  | 140Y24-5  | HANDLE COVER COMPLETE          |     | 1   |         |        |        |      |
| C10  | 263005-3  | RUBBER PIN 6                   |     | 2   |         |        |        |      |
| 027  | 251586-9  | FLAT HEAD SQUARE NECK BOLT M6X |     | 1   |         |        |        |      |
| 028  | 140Y21-1  | GEAR HOUSING COMPLETE          |     | 1   |         |        |        |      |
| C10  | 213430-8  | O RING 28                      |     | 1   |         |        |        |      |
| 029  | 227855-0  | HELICAL GEAR 45                |     | 1   |         |        |        |      |
| 030  | 961052-5  | RETAINING RING S-12            |     | 1   |         |        |        |      |
| 031  | 213444-7  | O RING 30                      |     | 1   |         |        |        |      |
| 032  | 135948-8  | BEARING BOX ASSEMBLY           |     | 1   |         |        |        |      |
| D10  |           | INC. 31                        |     |     |         |        |        |      |
| 033  | 911223-4  | PAN HEAD SCREW M5X16           |     | 2   |         |        |        |      |
| 034  | 211129-9  | BALL BEARING 6201DDW           |     | 1   |         |        |        |      |
| 035  | 325603-2  | SPINDLE                        |     | 1   |         |        |        |      |

Please order the parts with part number.

Print Date 19/2/2021

Model No.DCC500 125MM CORDLESS DUSTLESS CUTTER

| Item | Parts No. | Description                      | I/C | Qty | New/Old | Opt. 1 | Opt. 2 | Note |
|------|-----------|----------------------------------|-----|-----|---------|--------|--------|------|
| 036  | 285858-0  | BEARING RETAINER 19-33           |     | 1   |         |        |        |      |
| 037  | 213279-6  | O RING 18                        |     | 1   |         |        |        |      |
| 038  | 253397-8  | CUP WASHER 15                    |     | 1   |         |        |        |      |
| 039  | 224423-0  | INNER FLANGE 36                  |     | 1   |         |        |        |      |
| 040  | 224424-8  | OUTER FLANGE 36                  |     | 1   |         |        |        |      |
| 041  | 266510-9  | HEX. SOCKET HEX. BOLT<br>M6X18   |     | 1   |         |        |        |      |
| 042  | 252649-4  | THUMB NUT M6                     |     | 1   |         |        |        |      |
| 043  | 941151-9  | FLAT WASHER 6                    |     | 1   |         |        |        |      |
| 044  | 265939-6  | FLAT HEAD SQ. NECK BOLT<br>M6X14 |     | 1   |         |        |        |      |
| 045  | 162951-6  | BASE                             |     | 1   |         |        |        |      |
| 046  | 266264-8  | H.S.SET SCREW(FLAT<br>POINT)M5X6 |     | 1   |         |        |        |      |
| 047  | 252103-8  | HEX. LOCK NUT M5-8               |     | 1   |         |        |        |      |
| 048  | 266515-9  | + PAN HEAD SCREW M5              |     | 1   |         |        |        |      |
| 049  | 257982-9  | BOW STOP RING E-8                |     | 1   |         |        |        |      |
| 050  | 347399-5  | LEVER PLATE                      |     | 1   |         |        |        |      |
| 051  | 264103-6  | HEX. NUT M6                      |     | 1   |         |        |        |      |
| 052  | 253111-2  | FLAT WASHER 6                    |     | 1   |         |        |        |      |
| 053  | 286036-5  | CAP                              |     | 1   |         |        |        |      |
| 054  | 127750-3  | DUST COVER ASSEMBLY A            |     | 1   |         |        |        |      |
| D10  |           | INC. 55-64                       |     |     |         |        |        |      |
| 055  | 416741-2  | ELBOW                            |     | 1   |         |        |        |      |
| 056  | 213460-9  | O RING 35                        |     | 1   |         |        |        |      |
| 057  | 266326-2  | TAPPING SCREW 4X18               |     | 2   |         |        |        |      |
| 058  | 413294-2  | DUST COVER R                     |     | 1   |         |        |        |      |
| 059  | 347787-6  | PLATE                            |     | 1   |         |        |        |      |
| 060  | 213005-3  | O RING 5                         |     | 1   |         |        |        |      |
| 061  | 413292-6  | DUST COVER L                     |     | 1   |         |        |        |      |
| 062  | 233267-7  | COMPRESSION SPRING 7             |     | 1   |         |        |        |      |
| 063  | 941151-9  | FLAT WASHER 6                    |     | 1   |         |        |        |      |
| 064  | 265658-4  | PAN HEAD SCREW M6X26             |     | 1   |         |        |        |      |
| A01  | 783217-7  | HEX. WRENCH 5                    |     | 1   |         |        |        |      |
| A02  | 126738-0  | DUST BAG ASSEMBLY                |     | 1   |         |        |        |      |
| C10  | 410602-8  | FASTENER                         |     | 1   |         |        |        |      |

Please order the parts with part number.

Print Date 19/2/2021