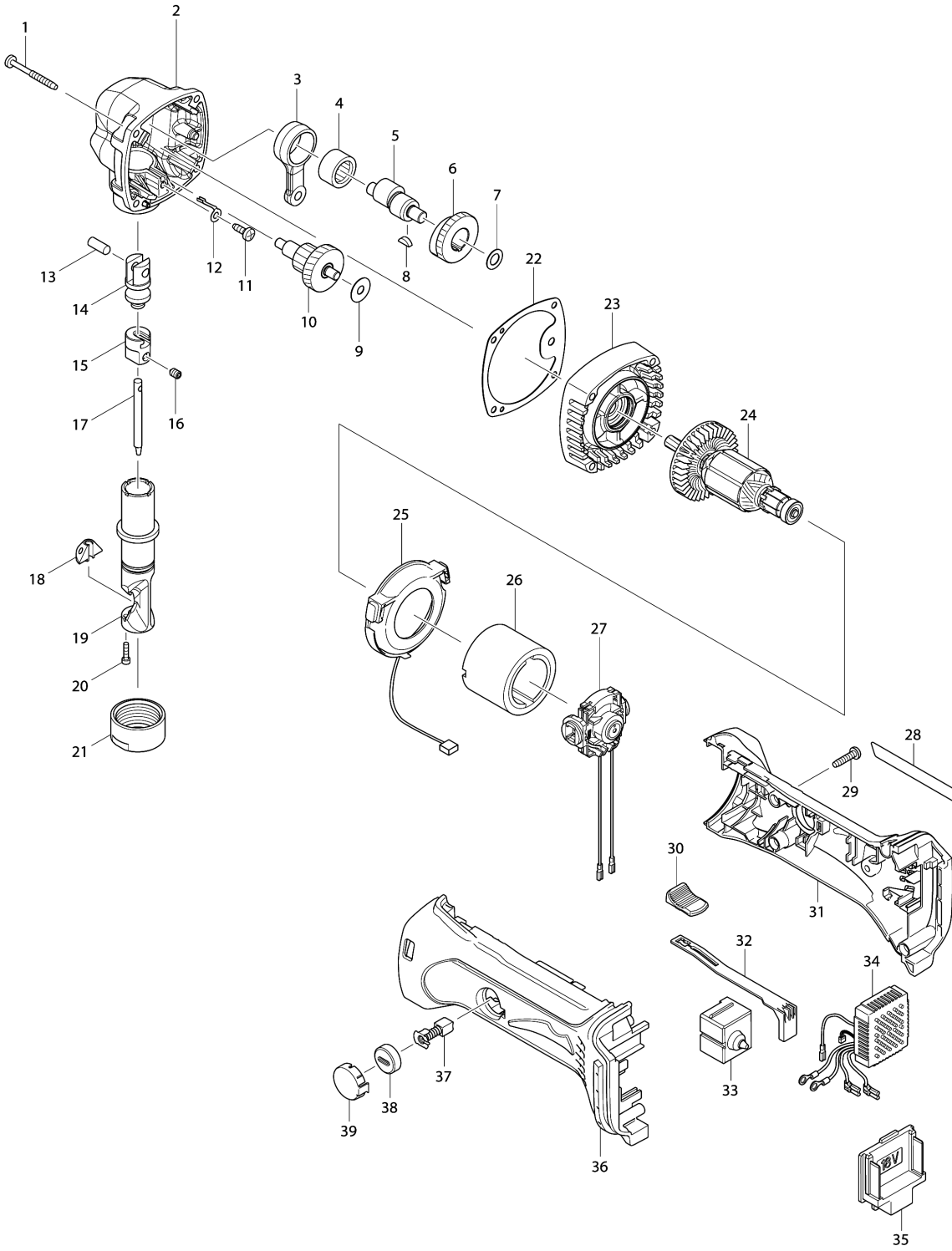


Model No.DJN161 1.6MM CORDLESS NIBBLER



Model No.DJN161 1.6MM CORDLESS NIBBLER

Item	Parts No.	Description	I/C	Qty	New/Old	Opt. 1	Opt. 2	Note
001	266048-4	TAPPING SCREW 4X40		4				
002	141878-3	GEAR HOUSING COMPLETE		1				
C10	800P78-7	INDICATION LABEL		1				
003	331438-1	ROD		1				
004	212222-2	NEEDLE BEARING 1612		1				
005	326249-7	CRANK SHAFT		1				
006	227314-4	SPUR GEAR 31		1				
007	253215-0	FLAT WASHER 8		1				
008	254002-0	WOODRUFF KEY 3		1				
009	267133-6	FLAT WASHER 6		1				
010	226158-9	GEAR COMPLETE 16-36		1				
011	266026-4	TAPPING SCREW BIND CT 4X12		1				
012	344116-4	STOPPER		1				
013	256111-1	PIN 6		1				
014	322703-9	RAM		1				
015	322702-1	PUNCH HOLDER		1				
016	265880-3	H.S.SET SCREW(CONE POINT)M5X8		1				
017	A-83951	PUNCH		1				
018	A-15051	DIE		1				
019	322701-3	DIE HOLDER		1				
020	266080-8	HEX. SOCKET HEAD BOLT M3X12		2				
021	322748-7	LOCK NUT		1				
022	442191-5	GASKET		1				
023	141877-5	GEAR HOUSING COVER COMPLETE		1				
C10	213961-7	O RING 22		1				
024	619312-6	ARMATURE		1				
025	631714-6	LED CIRCUIT		1				
026	638627-2	YOKE UNIT		1				
027	632A66-4	ENDBELL COMPLETE		1				
C10	688172-7	LINE FILTER		1				
028	815T00-5	DJN161 NAME PLATE		1				
029	265995-6	TAPPING SCREW 4X18		5				
030	419566-3	SWITCH KNOB		1				
031	187839-9	HOUSING SET		1				
C10	263005-3	RUBBER PIN 6		2				
D10		INC. 36						
032	419519-2	SWITCH LEVER		1				
033	650579-7	SWITCH 1246.3223		1				
034	620243-4	CONTROLLER		1				
035	644808-8	TERMINAL		1				

Model No.DJN161 1.6MM CORDLESS NIBBLER

Item	Parts No.	Description	I/C	Qty	New/Old	Opt. 1	Opt. 2	Note
036	187839-9	HOUSING SET		1				
C10	263005-3	RUBBER PIN 6		2				
D10		INC. 31						
037	191971-3	CARBON BRUSH CB-430		1				
038	643929-3	BRUSH HOLDER CAP		2				
039	419518-4	HOLDER CAP COVER		2				
A01	781028-4	WRENCH 32		1				
A02	783208-8	HEX. WRENCH 2.5		1				
A03E	***DC18RC	DC18RC FAST CHARGER		1				
A03G	***DC18RC	DC18RC FAST CHARGER		1				
A03I	***DC18RC	DC18RC FAST CHARGER		1				
A04E	194204-5	BATTERY BL1830 SET		2	*			
A04G	194204-5	BATTERY BL1830 SET		2	*			
A04I	196399-0	BATTERY BL1840 SET		2	*			
A04-1E	194204-5	BATTERY BL1830 SET	O	2	*			
A04-1G	194204-5	BATTERY BL1830 SET	O	2	*			
A04-1I	196399-0	BATTERY BL1840 SET	O	2	*			
A04-2E	197600-6	BATTERY BL1830B SET	<	2	*			
A04-2G	197600-6	BATTERY BL1830B SET	<	2	*			
A04-2I	197265-4	BATTERY BL1840B SET	<	2	*			
A04-3E	197600-6	BATTERY BL1830B SET	O	2				
A04-3G	197600-6	BATTERY BL1830B SET	O	2				
A04-3I	197265-4	BATTERY BL1840B SET	O	2				
A05E	450128-8	BATTERY COVER		1				
A05G	450128-8	BATTERY COVER		1				
A05I	450128-8	BATTERY COVER		1				
A06E	142004-7	PLASTIC CARRYING CASE		1				
C10	162315-4	LATCH		2				
A06G	821551-8	CONNECTOR PLASTIC CASE (TYPE3)		1				
C10	453974-8	LATCH		4				
A06H	821551-8	CONNECTOR PLASTIC CASE (TYPE3)		1				
C10	453974-8	LATCH		4				
A06I	821551-8	CONNECTOR PLASTIC CASE (TYPE3)		1				
C10	453974-8	LATCH		4				
A07E	804B10-9	DJN161RFE PLASTIC CASE LABEL		2				
A07G	837678-4	INNER TRAY		1				
A07H	837678-4	INNER TRAY		1				
A07I	837678-4	INNER TRAY		1				
A08G	804B14-1	DJN161RFJ INDICATION LABEL		1				
A08H	804B12-5	DJN161ZJ INDICATION LABEL		1				

Model No.DJN161 1.6MM CORDLESS NIBBLER

Item	Parts No.	Description	I/C	Qty	New/Old	Opt. 1	Opt. 2	Note
A08I	804B67-0	DJN161RMJ INDICATION LABEL		1				
A09G	804B15-9	DJN161RFJ PLASTIC CASE LABEL		2				
A09H	804B13-3	DJN161ZJ PLASTIC CASE LABEL		2				
A09I	804B68-8	DJN161RMJ PLASTIC CASE LABEL		2				

Please order the parts with part number.

Print Date 26/3/2020