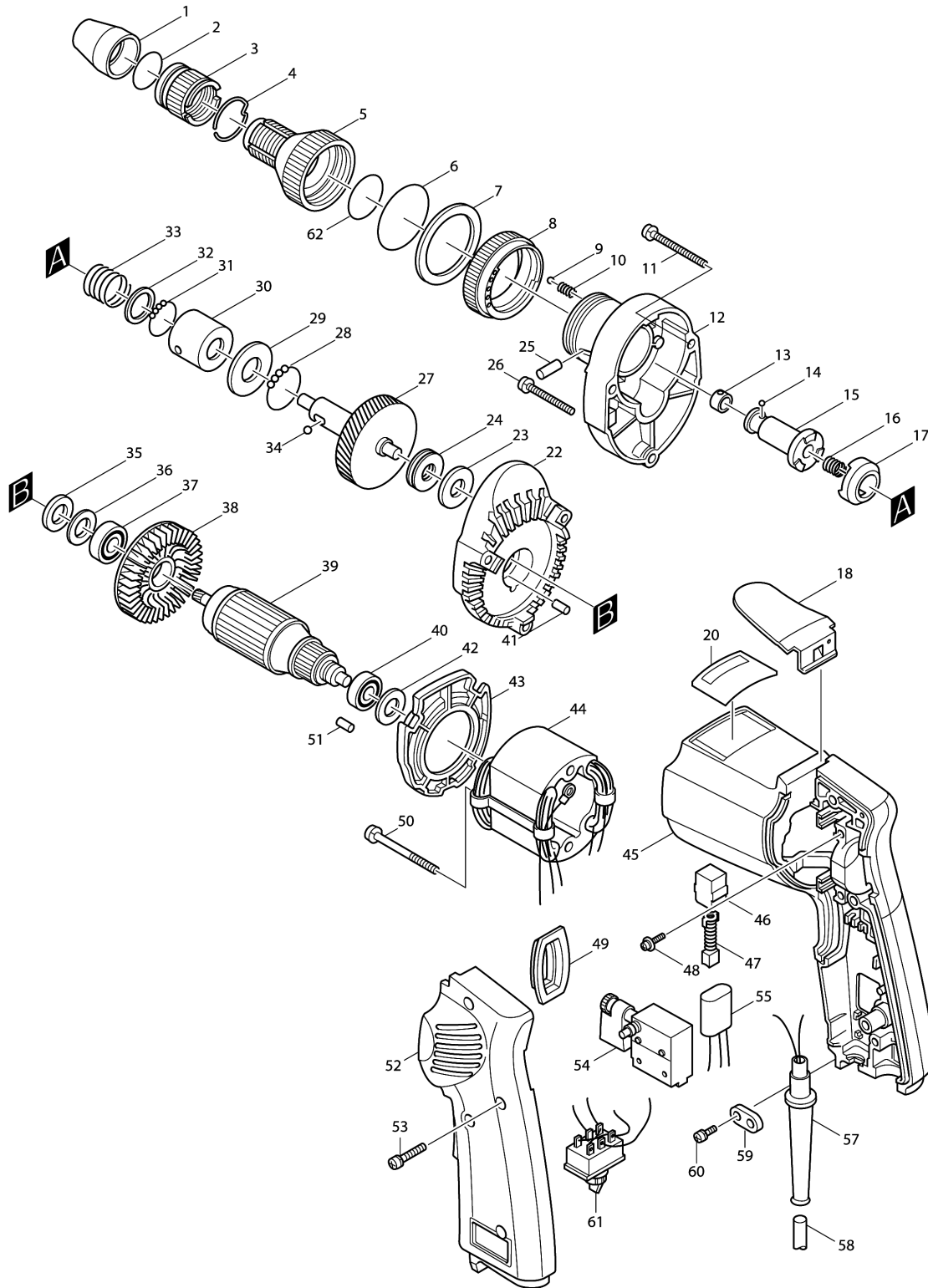


Model No.6805BV SCREWDRIVER



Model No.6805BV SCREWDRIVER

Item	Parts No.	Description	I/C	Qty	New/Old	Opt. 1	Opt. 2	Note
001A_	322120-3	FRONT CAP 12		1				
002	213310-8	O RING 20		1				
003	322073-6	ADJUST SLEEVE		1				
004	231940-3	RING SPRING 22		1				
005-2	322188-9	CLUTCH COVER		1				
006	213458-6	O RING 34		1				
007	253806-7	FLAT WASHER 36		1				
008	155923-8	RING 36 COMPLETE		1	*			
C10	816202-6	INDICATION LABEL		1	*			
008-1	150764-7	RING 36 COMPLETE	X	1				
C10	816202-6	INDICATION LABEL		1				
009	216008-6	STEEL BALL 4		1				
010	231314-8	COMPRESSION SPRING 4		1				
011	911271-3	PAN HEAD SCREW M5X50		2				
012	315996-5	GEAR HOUSING		1	*			
012-1	316988-7	GEAR HOUSING	X	1				
013	232050-9	LEAF SPRING		1				
014	216001-0	STEEL BALL 3.5		1				
015A_	134461-3	SPINDLE ASS'Y		1				
D10		INC. 13,14						
016	231278-6	COMPRESSION SPRING 6		1				
017	223073-8	CLUTCH CAM		1				
018-1	343693-3	HOOK		1				
020	855887-3	NAME PLATE 6805BV		1				
022	157842-4	GEAR HOUSING COVER COMPLETE		1				
C10	214012-9	PLANE BEARING 6		1				
D10		INC. 41						
023	261038-2	URETHANE WASHER 10		1				
024	212057-1	THRUST NEEDLE BEARING 1023		1				
025	256173-9	PIN 3.5		1	*			
025-1	256226-4	PIN 4	X	1				
026	911261-6	PAN HEAD SCREW M5X40		1				
027	153167-4	GEAR COMPLETE		1				
028	216014-1	STEEL BALL 3.2		26				
029	267035-6	FLAT WASHER 14		1				
030	322072-8	SLEEVE		1	*			
030-1	323728-6	SLEEVE	X	1				
031	216014-1	STEEL BALL 3.2		16				
032	253837-6	FLAT WASHER 14		1				
033	231423-3	COMPRESSION SPRING 13.6		1				
034	216011-7	STEEL BALL 5.6		3				

Please order the parts with part number.

Print Date 18/6/2019

Model No.6805BV SCREWDRIVER

Item	Parts No.	Description	I/C	Qty	New/Old	Opt. 1	Opt. 2	Note
035	261039-0	URETHANE WASHER 14		1				
036	253786-7	FLAT WASHER 14		1				
037	211033-2	BALL BEARING 608LB		1				
038-2	241881-5	FAN 52		1				
039C_	515158-7	ARMATURE ASS'Y 220V		1				
D11		INC. 37,38,40						
040	211028-5	BALL BEARING 627LB		1				
041	263002-9	RUBBER PIN 4		1				
042	253192-6	FLAT WASHER 14		1				
043	413045-3	BAFFLE PLATE		1				
044L_	628171-7	FIELD 220V		1				
045-1	156879-8	MOTOR HOUSING		1	*			
C10	816266-0	INDICATION LABEL		1	*			
D10		INC. 51			*			
045-2	154952-8	MOTOR HOUSING COMPLETE	S	1				
C10	816266-0	INDICATION LABEL		1				
D10		INC. 51						
046	643552-4	BRUSH HOLDER 5-8		2				
047B_	191627-8	CARBON BRUSH CB-64		1				
048	911124-6	PAN HEAD SCREW M4X14		2				
049	411852-8	SWITCH COVER		1				
050-1	911185-6	PAN HEAD SCREW M4X55		2				
051	263002-9	RUBBER PIN 4		1				
052	155283-8	HANDLE COVER COMPLETE		1	*			
C10	817609-9	CAUTION LABEL		1	*			
C20	816266-0	INDICATION LABEL		1	*			
052-1	154951-0	HANDLE COVER COMPLETE	S	1				
C10	817609-9	CAUTION LABEL		1				
C20	816266-0	INDICATION LABEL		1				
053	911153-9	PAN HEAD SCREW M4X28		3				
054H_	651247-5	SWITCH 11-12		1	*			
054H1	651256-4	SWITCH SGEL106CV-1A	O	1	*			
054H2	650226-0	SWITCH TG823AB-2	S	1				
055B_	645173-8	NOISE SUPPRESSOR		1	*			
055B1	645253-0	NOISE SUPPRESSOR	O	1				
057A_	682502-4	CORD GUARD 8-85		1				
058K1	665394-6	POWER SUPPLY CORD 1.0-2-2.5		1				
059A1	687031-2	STRAIN RELIEF		1				
060	911133-5	PAN HEAD SCREW M4X18		2				
061B_	651478-6	SWITCH VTX11		1				
062	213380-7	O RING 24		1				
400	784202-3	PHILLIPS BIT 2-45		1	*			

Please order the parts with part number.

Print Date 18/6/2019

Model No.6805BV SCREWDRIVER

Item	Parts No.	Description	I/C	Qty	New/Old	Opt. 1	Opt. 2	Note
400-1	784202-3	PHILLIPS BIT 2-45	O	1	*			
400-2	784202-3	PHILLIPS BIT 2-45	O	1				
401-2	181949-4	STEEL CARRYING CASE		1	*			
401-3	824700-6	PLASTIC CARRYING CASE	O	1				
C10	417496-2	LATCH		2				
C20	417497-0	HANDLE		1				
C30	819143-5	MAKITA LABEL		1				
710	646047-6	CHOKE COIL		1				
711	646048-4	CHOKE COIL		1				
902	646325-4	LINE COIL		1				

Please order the parts with part number.

Print Date 18/6/2019