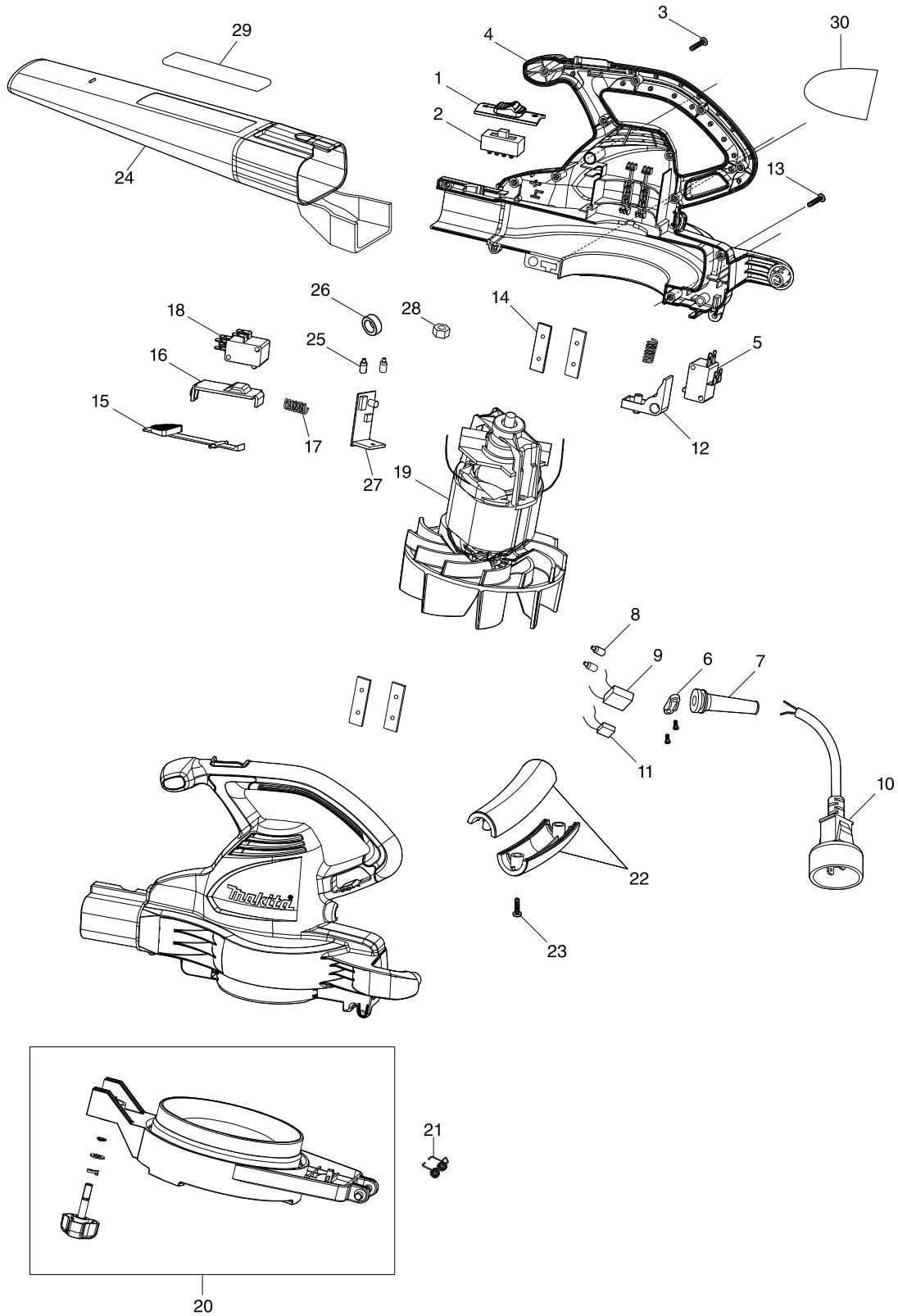


Model No. UB0801 ELECTRIC BLOWER



Model No. UB0801 ELECTRIC BLOWER

Item	Parts No.	Description	I/C	Qty	N/O	Opt. 1	Opt. 2	Note
001	GT34105148	SWITCH BOARD		1				
002	GT03630179	SLIDE SWITCH		1				
003	GT32203133	SCREW ST4X14-F		9				
004	GT00000004	HOUSING SET (MAKITA)		1				
005	GT36301441	MICRO SWITCH		1				
006	GT03410801	CORD CLAMP		1				
007	GT03420102	CABLE SLEEVE		1				
008	GT03650135	B TERMINAL		2				
009	GT36903166	CAPACITOR		1				
010	GT00000006	POWER SUPPLY CORD		1				
011	GT36901808	RESISTANCE		1				
012	GT00000009	PENDULAM BAR		1				
013	GT03220106	SCREW ST4*18-F		5				
014	GT34201808	MOTOR WASHER		4				
015	GT34108808	TUBE BUTTON		1				
016	GT33301808	TRIGGER PLATE		1				
017	GT33401862	SWITCH SPRING		1				
018	GT36301441	MICRO SWITCH		1				
019	GT31102808	MOTOR ASSEMBLY		1				
020	GT00000010	INLET SHIELD ASSEMBLY		1				
021	GT33401142	TURNING SPRING		1				
022	GT31104808	AUXILIARY HANDLE SET		1				
023	GT03220106	SCREW ST4*18-F		2				
024	GT00000012	BLOWING NOZZLE		1				
025	GT36902808	MAGNETIC RING		1				
026	GT03650339	B TERMINAL		2				
027	GT36201808	SPEED PCB		1				
028	GT00000015	NUT M6		1				
029	GT38103808	LABEL FOR BLOWER TUBE		1				
030	GT00000016	NAME PLATE UB0801		1				
031	GT33401862	SWITCH SPRING		1				
032	GT32203133	SCREW ST4X14-F		2				
A01	GT00000011	VACUUM PIPE ASSEMBLY		1				
A02	GT38101808	LABEL FOR VAC. TUBE		1				
A03	GT00000013	DUST BAG ASSEMBLY		1				