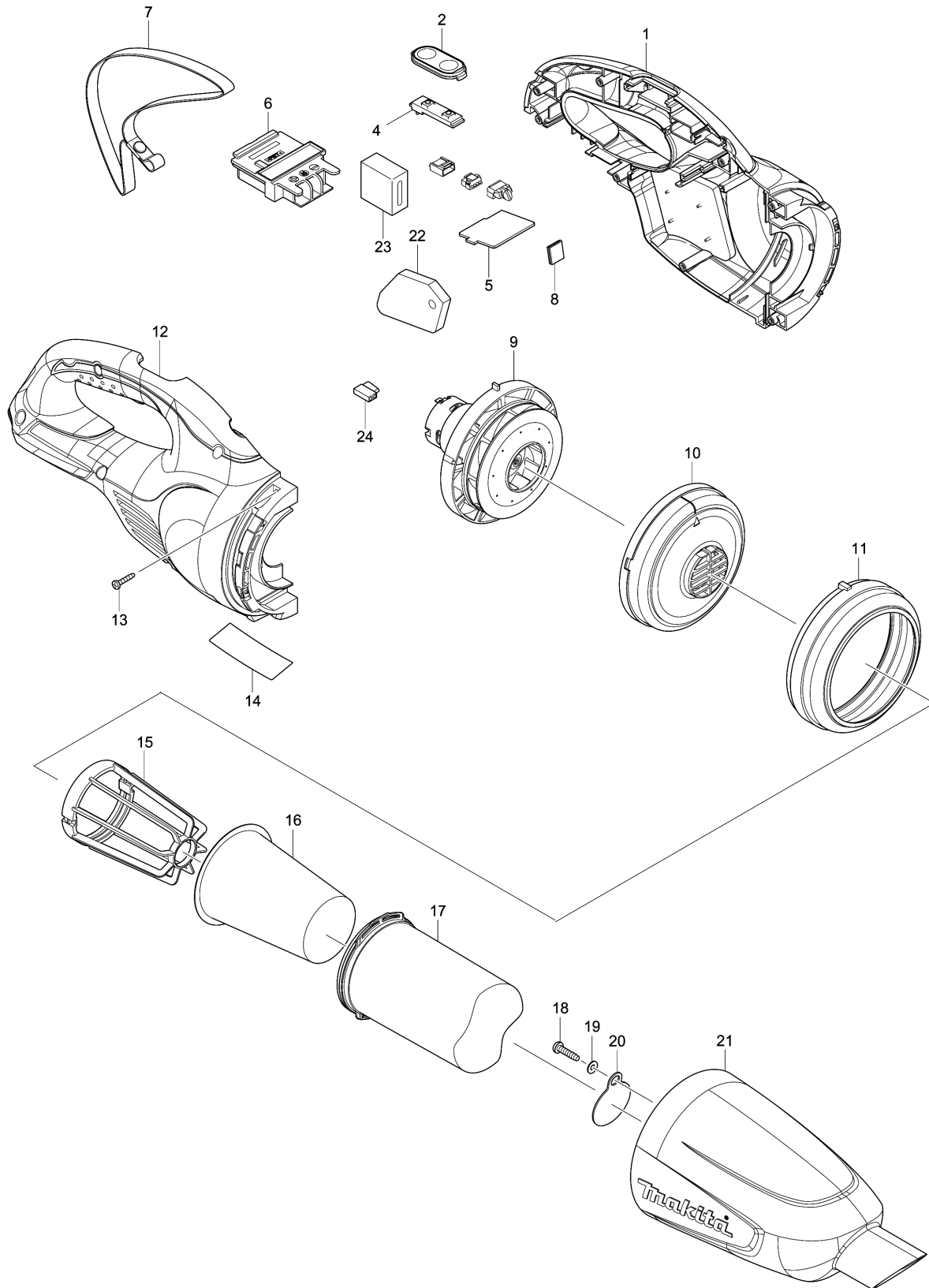


### Model No.DCL181F CORDLESS CLEANER





## Model No.DCL181F CORDLESS CLEANER

Item	Parts No.	Description	I/C	Qty	New/Old	Opt. 1	Opt. 2	Note
001A	183G96-9	HOUSING SET		1				
001B	183D38-5	HOUSING SET		1				
D10		INC. 12						
002	140463-9	SWITCH PLATE COMPLETE		1				
004	631973-2	SWITCH UNIT		1				
005	632K88-4	CONTROLLER UNIT		1				
006	643860-3	TERMINAL		1				
008	424248-4	SPONGE SHEET 15-25		1				
009	125932-1	MOTOR ASSEMBLY		1				
C10	240102-2	FAN 82		1				
C20	265199-0	+ PAN HEAD SCREW M3X8		2				
C30	452455-9	BASE		1				
010	416030-5	FAN COVER		1				
011	424320-2	RUBBER RING		1				
012A	183G96-9	HOUSING SET		1				
012B	183D38-5	HOUSING SET		1				
D10		INC. 1						
013	266429-2	TAPPING SCREW 3X16		7				
014	853F62-1	DCL181F NAME PLATE		1				
015	410237-5	STAY		1	*			
015-1	458467-0	STAY	<	1				
017	455176-2	EASY SHAKE OFF FILTER		1	*			
017-1	455176-2	EASY SHAKE OFF FILTER	<	1				
018	265995-6	TAPPING SCREW 4X18		1				
019	941051-3	FLAT WASHER 4		1				
020	424208-6	VALVE		1				
021A	451235-0	CAPSULE		1				
021B	451226-1	CAPSULE		1				
022	424308-2	SPONGE SHEET 50-36		1				
023	685725-3	SPONGE SHEET		1				
024	686039-3	RECEPTACLE SLEEVE		1				
025	422268-2	SPONGE SHEET 57		1				
A01A	123488-8	FLOOR T-NOZZLE 28 BLU		1				
A01B	123486-2	FLOOR T-NOZZLE 28 WHI		1				
C10	451410-8	ROLLER		4				
C20	268208-4	PIN 3		4				
C30	424096-1	WIPER		1				
A02A	451243-1	SASH NOZZLE 28 BLU		1				
A02B	451240-7	SASH NOZZLE 28 WHI		1				
A03A	451244-9	PIPE		1				
A03B	451241-5	PIPE		1				
A04A	451245-7	SASH NOZZLE HOLDER		1				

Please order the parts with part number.

Print Date 1/10/2019

**Model No.DCL181F CORDLESS CLEANER**

Item	Parts No.	Description	I/C	Qty	New/Old	Opt. 1	Opt. 2	Note
A04B	451242-3	SASH NOZZLE HOLDER		1				

Please order the parts with part number.

Print Date 1/10/2019