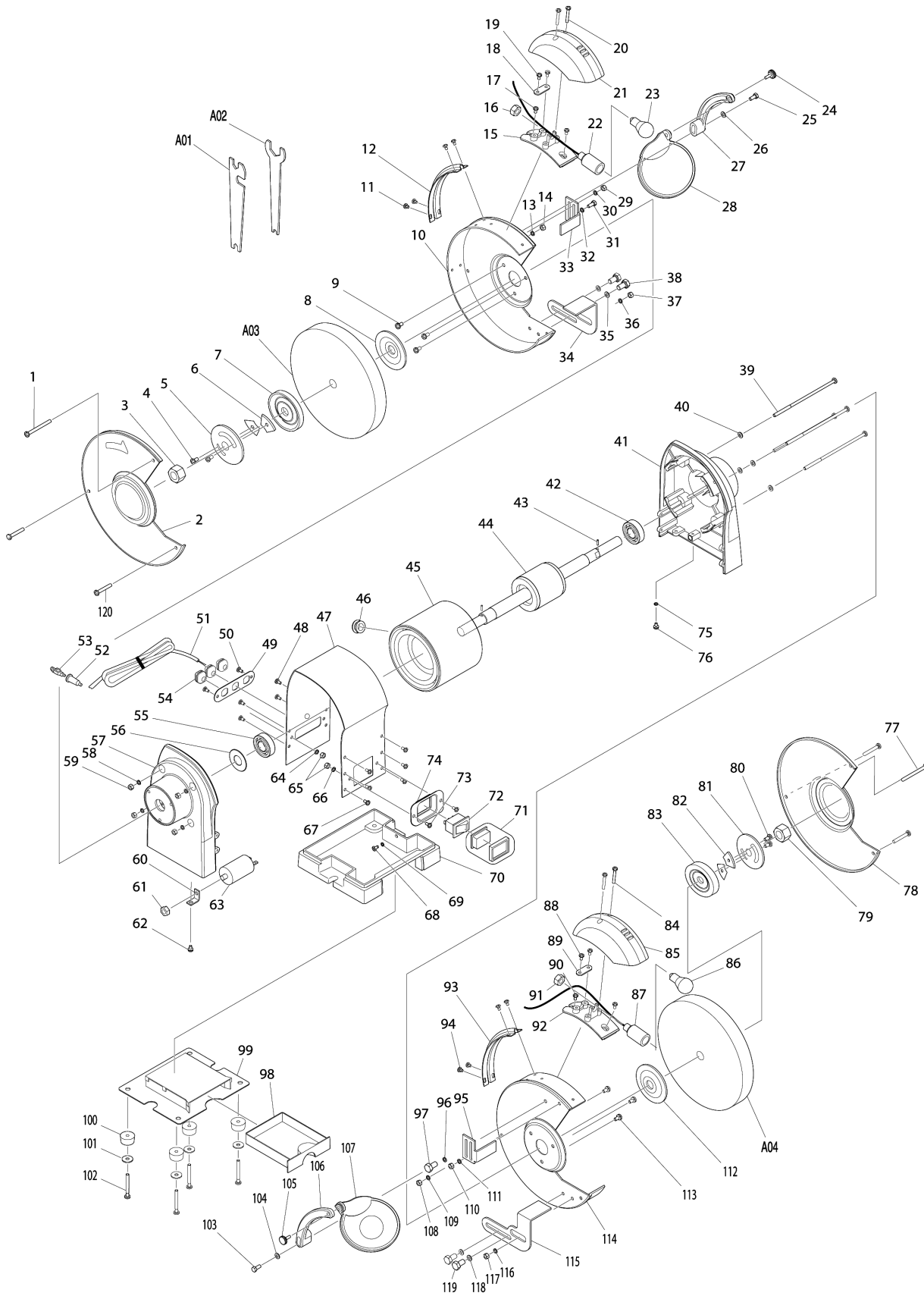


Model No.GB801 BENCH GRINDER 205MM



Model No.GB801 BENCH GRINDER 205MM

| Item | Parts No. | Description | I/C | Qty | New/Old | Opt. 1 | Opt. 2 | Note |
|-------|------------|---------------------------------|-----|-----|---------|--------|--------|------|
| 001 | 911276-3 | PAN HEAD SCREW M5X55 | | 2 | | | | |
| 002 | AL00000219 | WHEEL COVER L (OUTER) CE | | 1 | | | | |
| 003 | AL00000058 | HEX NUT M16L | | 1 | | | | |
| 004 | AL00000059 | PAN HEAD SCREW M5X5 | | 2 | | | | |
| 005 | AL00000060 | BALANCE PLATE | | 1 | | | | |
| 006 | AL00000061 | BALANCE WEIGHT | | 2 | | | | |
| 007 | AL00000062 | OUTER FLANGE | | 1 | | | | |
| 008 | AL00000182 | INNER FLANGE | | 1 | | | | |
| 009 | 911211-1 | PAN HEAD SCREW M5X12 | | 3 | | | | |
| 010 | AL00000220 | WHEEL COVER L (INNER) CE | | 1 | | | | |
| 011 | 911107-6 | PAN HEAD SCREW M4X8 | | 4 | | | | |
| 012 | AL00000065 | CORD CLAMP | | 1 | | | | |
| 013 | 942101-7 | SPRING WASHER 5 | | 1 | | | | |
| 014 | 931201-8 | HEX. NUT M5 | | 1 | | | | |
| 015 | AL00000194 | LAMP COVER BASE | | 1 | | | | |
| 016 | AL00000009 | NUT | | 1 | | | | |
| 017 | 911113-1 | PAN HEAD SCREW M4X10 WITH WR | | 2 | | | | |
| 018 | AL00000010 | STRAIN RELIEF | | 1 | | | | |
| 019 | 911118-1 | PAN HEAD SCREW M4X12 | | 2 | | | | |
| 020 | 911156-3 | PAN HEAD SCREW M4X30 | | 2 | | | | |
| 021 | AL00000011 | LAMP COVER | | 1 | | | | |
| 022 | AL00000012 | LAMP HOLDER ASSY | | 1 | * | | | |
| 022-1 | AL00000138 | LAMP HOLDER ASSEMBLY | X | 1 | | | | |
| 023 | AL00000013 | BULB | | 1 | | | | |
| 024 | AL00000014 | ADJUSTABLE KNOB | | 1 | | | | |
| 025 | 921351-7 | HEX. BOLT M6X30 | | 1 | | | | |
| 026 | 941151-9 | FLAT WASHER 6 | | 1 | | | | |
| 027 | AL00000015 | EYESHIELD MOUNTING ARM L | | 1 | | | | |
| 028 | AL00000016 | SAFETY EYE SHIELD | | 1 | | | | |
| 029 | 931201-8 | HEX. NUT M5 | | 1 | | | | |
| 030 | 942101-7 | SPRING WASHER 5 | | 1 | | | | |
| 031 | 921212-1 | HEX. BOLT M5X12 | | 1 | | | | |
| 032 | 942101-7 | SPRING WASHER 5 | | 1 | | | | |
| 033 | AL00000066 | SPARK DEFLECTOR (LEFT) | | 1 | | | | |
| 034 | AL00000067 | WORK REST (LEFT) | | 1 | | | | |
| 035 | 941202-8 | FLAT WASHER 8 | | 2 | | | | |
| 036 | 942101-7 | SPRING WASHER 5 | | 1 | | | | |
| 037 | 931201-8 | HEX. NUT M5 | | 1 | | | | |
| 038 | 921411-5 | HEX. BOLT M8X12 | | 2 | | | | |
| 039 | AL00000068 | PAN HEAD SCREW M5X142 | | 4 | | | | |
| 040 | 941101-4 | FLAT WASHER 5 | | 4 | | | | |
| 041 | AL00000069 | MOTOR HOUSING COVER R | | 1 | | | | |

Please order the parts with part number.

Print Date 30/3/2020

Model No.GB801 BENCH GRINDER 205MM

| Item | Parts No. | Description | I/C | Qty | New/Old | Opt. 1 | Opt. 2 | Note |
|-------|------------|---------------------------------|-----|-----|---------|--------|--------|------|
| 042 | 211306-3 | BALL BEARING 6204LLB | | 1 | | | | |
| 043 | 951051-5 | SPRING PIN 3-8 | | 2 | | | | |
| 044 | AL00000191 | ROTOR | | 1 | * | | | |
| 044-1 | AL00000237 | ROTOR | S | 1 | | | | |
| 045 | AL00000190 | STATOR | | 1 | * | | | |
| 045-1 | AL00000236 | STATOR | S | 1 | | | | |
| 046 | AL00000022 | BUSH | | 1 | | | | |
| 047 | AL00000184 | MOTOR HOUSING(CE) | | 1 | | | | |
| 048 | 911113-1 | PAN HEAD SCREW M4X10 WITH WR | | 4 | | | | |
| 049 | AL00000192 | CORD CLIP PLATE(CE) | | 1 | | | | |
| 050 | 911113-1 | PAN HEAD SCREW M4X10 WITH WR | | 2 | | | | |
| 051 | AL00000171 | POWER SUPPLY CORD | | 1 | | | | |
| 054 | AL00000026 | CORD GUARD | | 3 | | | | |
| 055 | 211306-3 | BALL BEARING 6204LLB | | 1 | | | | |
| 056 | AL00000073 | WAVE WASHER | | 1 | | | | |
| 057 | AL00000074 | MOTOR HOUSING COVER L | | 1 | | | | |
| 058 | 942101-7 | SPRING WASHER 5 | | 4 | | | | |
| 059 | 931201-8 | HEX. NUT M5 | | 4 | | | | |
| 060 | AL00000029 | CAPACITOR CLAMP | | 1 | | | | |
| 061 | 931402-8 | HEX. NUT M8 | | 1 | | | | |
| 062 | 911113-1 | PAN HEAD SCREW M4X10 WITH WR | | 1 | | | | |
| 063 | AL00000099 | CAPACITOR | | 1 | | | | |
| 064 | 942051-6 | SPRING WASHER 4 | | 2 | | | | |
| 065 | 931102-0 | HEX. NUT M4 | | 4 | | | | |
| 066 | 942051-6 | SPRING WASHER 4 | | 2 | | | | |
| 067 | 911113-1 | PAN HEAD SCREW M4X10 WITH WR | | 6 | | | | |
| 068 | 911113-1 | PAN HEAD SCREW M4X10 WITH WR | | 1 | | | | |
| 069 | AL00000134 | TOOTHED LOCK WASHER 4 | | 1 | | | | |
| 070 | AL00000076 | BASE | | 1 | | | | |
| 071 | AL00000033 | SWITCH COVER ASSY | | 1 | * | | | |
| 072 | AL00000032 | SWITCH ASSY COVER | | 1 | * | | | |
| 072-1 | AL00000168 | SWITCH WITH COVER | < | 1 | | | | |
| 073 | 911113-1 | PAN HEAD SCREW M4X10 WITH WR | | 2 | | | | |
| 074 | AL00000031 | SWITCH BOARD | | 1 | | | | |
| 075 | AL00000134 | TOOTHED LOCK WASHER 4 | | 1 | | | | |
| 076 | 911113-1 | PAN HEAD SCREW M4X10 WITH WR | | 1 | | | | |
| 078 | AL00000224 | WHEEL COVER R(OUTER) CE | | 1 | | | | |
| 079 | AL00000078 | HEX NUT M16 | | 1 | | | | |
| 080 | AL00000059 | PAN HEAD SCREW M5X5 | | 2 | | | | |

Model No.GB801 BENCH GRINDER 205MM

| Item | Parts No. | Description | I/C | Qty | New/Old | Opt. 1 | Opt. 2 | Note |
|-------|------------|---------------------------------|-----|-----|---------|--------|--------|------|
| 081 | AL00000060 | BALANCE PLATE | | 1 | | | | |
| 082 | AL00000061 | BALANCE WEIGHT | | 2 | | | | |
| 083 | AL00000181 | WHEEL FLANGE | | 1 | | | | |
| 084 | 911156-3 | PAN HEAD SCREW M4X30 | | 2 | | | | |
| 085 | AL00000011 | LAMP COVER | | 1 | | | | |
| 086 | AL00000013 | BULB | | 1 | | | | |
| 087 | AL00000012 | LAMP HOLDER ASSY | | 1 | * | | | |
| 087-1 | AL00000138 | LAMP HOLDER ASSEMBLY | X | 1 | | | | |
| 088 | 911118-1 | PAN HEAD SCREW M4X12 | | 2 | | | | |
| 089 | AL00000010 | STRAIN RELIEF | | 1 | | | | |
| 090 | 911113-1 | PAN HEAD SCREW M4X10 WITH WR | | 2 | | | | |
| 091 | AL00000009 | NUT | | 1 | | | | |
| 092 | AL00000194 | LAMP COVER BASE | | 1 | | | | |
| 093 | AL00000065 | CORD CLAMP | | 1 | | | | |
| 094 | 911107-6 | PAN HEAD SCREW M4X8 | | 4 | | | | |
| 095 | AL00000079 | SPARK DEFLECTOR (RIGHT) | | 1 | | | | |
| 096 | 942101-7 | SPRING WASHER 5 | | 1 | | | | |
| 097 | 921212-1 | HEX. BOLT M5X12 | | 1 | | | | |
| 098 | AL00000080 | COOLANT TRAY | | 1 | | | | |
| 099 | AL00000081 | COOLANT TRAY PLATE ASSY | | 1 | | | | |
| 100 | AL00000083 | RUBBER SLEEVE | | 4 | | | | |
| 101 | 941101-4 | FLAT WASHER 5 | | 4 | | | | |
| 102 | 911267-4 | PAN HEAD SCREW M5X45 | | 4 | | | | |
| 103 | 921351-7 | HEX. BOLT M6X30 | | 1 | | | | |
| 104 | 941151-9 | FLAT WASHER 6 | | 1 | | | | |
| 105 | AL00000014 | ADJUSTABLE KNOB | | 1 | | | | |
| 106 | AL00000038 | EYESHIELD MOUNTING ARM R | | 1 | | | | |
| 107 | AL00000037 | SAFETY EYE SHIELD WITH MAG | | 1 | | | | |
| 108 | 931201-8 | HEX. NUT M5 | | 1 | | | | |
| 109 | 942101-7 | SPRING WASHER 5 | | 1 | | | | |
| 110 | 931201-8 | HEX. NUT M5 | | 1 | | | | |
| 111 | 942101-7 | SPRING WASHER 5 | | 1 | | | | |
| 112 | AL00000063 | INNER FLANGE | | 1 | | | | |
| 113 | 911211-1 | PAN HEAD SCREW M5X12 | | 3 | | | | |
| 114 | AL00000223 | WHEEL COVER R(INNER) CE | | 1 | | | | |
| 115 | AL00000085 | WORK REST (RIGHT) | | 1 | | | | |
| 116 | 942101-7 | SPRING WASHER 5 | | 1 | | | | |
| 117 | 931201-8 | HEX. NUT M5 | | 1 | | | | |
| 118 | 941202-8 | FLAT WASHER 8 | | 2 | | | | |
| 119 | 921411-5 | HEX. BOLT M8X12 | | 2 | | | | |
| 120 | 911274-7 | PAN HEAD SCREW M5X50 | | 4 | | | | |

Model No.GB801 BENCH GRINDER 205MM

| Item | Parts No. | Description | I/C | Qty | New/Old | Opt. 1 | Opt. 2 | Note |
|-------|------------|----------------------------|-----|-----|---------|--------|--------|------|
| A01 | AL00000086 | WRENCH 10-13-17 | | 1 | | | | |
| A02 | AL00000087 | WRENCH 8-24 | | 1 | | | | |
| A03 | AL00000195 | WRENCH | | 1 | | | | |
| A04 | A-47254 | GRINDING WHEEL(BENCH,205) | | 1 | * | | | |
| A04-1 | B-51976 | GRINDING WHEEL (BENCH,205) | < | 1 | | | | |
| A05 | A-47260 | GRINDING WHEEL (BENCH,205) | | 1 | | | | |
| F01 | AL00000147 | SAFETY GOGGLES | | 1 | | | | |

Please order the parts with part number.

Print Date 30/3/2020