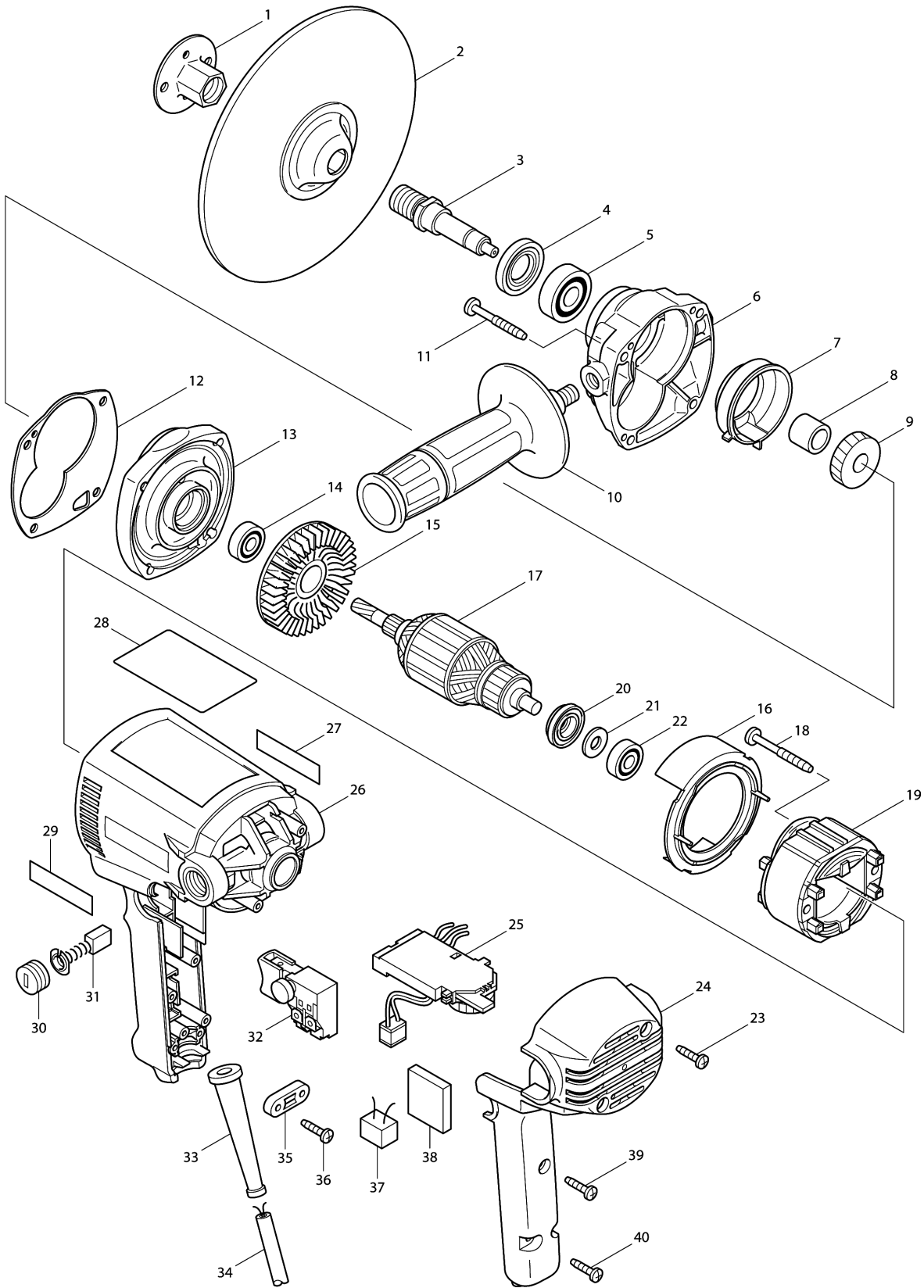


Model No.GV7000C DISC SANDER 180MM



Model No.GV7000C DISC SANDER 180MM

Item	Parts No.	Description	I/C	Qty	New/Old	Opt. 1	Opt. 2	Note
001B_	224515-5	SANDING LOCK NUT 14-48		1				
002	743012-7	RUBBER PAD 170		1				
003B_	324079-0	SPINDLE		1				
004	152690-6	BEARING RETAINER COMPLETE		1				
C10	213209-7	OIL SEAL 16		1				
005	211129-9	BALL BEARING 6201DDW		1				
006	317458-9	GEAR HOUSING		1				
007	417460-3	GREASE FENCE		1				
008	257708-9	SLEEVE 12		1				
009	226537-1	HELICAL GEAR 39		1				
010	152491-2	GRIP 36 COMPLETE		1				
011	266211-9	TAPPING SCREW 5X40		4				
012	442132-1	GASKET		1	*			
012-1	417837-2	GASKET	O	1				
013	152809-7	GEAR HOUSING COVER COMPLETE		1				
C10	212016-5	NEEDLE BEARING 609		1				
014	210005-4	BALL BEARING 608DDW		1				
015	240020-4	FAN 65		1				
016	413077-0	BAFFLE PLATE		1	*			
016-1	419721-7	BAFFLE PLATE	<	1				
017A_	516443-1	ARMATURE ASS'Y 220-240V		1				
D10		INC. 14,15,20-22						
018	266056-5	TAPPING SCREW 5X45		2				
019A_	599015-7	FIELD ASS'Y 220-240V		1				
C10	654020-2	RING TERMINAL		2				
C20	654501-6	CONNECTOR P-1.25		2				
020	681660-3	INSULATION WASHER		1				
021	253139-0	FLAT WASHER 8		1				
022	210005-4	BALL BEARING 608DDW		1				
023	265995-6	TAPPING SCREW 4X18		2				
024	417450-6	HANDLE COVER		1				
025A_	631429-5	CONTROLLER		1				
026	183299-3	MOTOR HOUSING SET		1				
D10		INC. 27,29						
027	819063-3	MAKITA LABEL		1				
028	852822-2	NAME PLATE GV7000C		1				
029	819063-3	MAKITA LABEL		1				
030	643750-0	BRUSH HOLDER CAP 7-11		2	*			
030-1	643515-0	HOLDER CAP 7-11	O	2				
031	191963-2	CARBON BRUSH CB-303		1				
032A_	651297-0	SWITCH		1				

Model No.GV7000C DISC SANDER 180MM

Item	Parts No.	Description	I/C	Qty	New/Old	Opt. 1	Opt. 2	Note
033A_	682559-5	CORD GUARD 8		1				
034B_	695034-2	POWER SUPPLY CORD 1.0-2-4.0		1				
035B_	687052-4	STRAIN RELIEF		1				
036	265995-6	TAPPING SCREW 4X18		2				
037	645253-0	NOISE SUPPRESSOR		1				
038	685722-9	SPONGE		1	*			
039	265995-6	TAPPING SCREW 4X18		1				
040	265995-6	TAPPING SCREW 4X18		2				
041	417793-6	COVER		1				
A01	794095-0	ABRASIVE DISC 180 #80		1	*			
A01-1	794095-0	ABRASIVE DISC 180 #80	O	1	*			
A02	781008-0	WRENCH 17		1				
A03	782412-6	LOCK NUT WRENCH 28		1				
E01	652257-5	CLAMP WASHER		4				
E02	654205-0	EARTH TERMINAL		1				

Please order the parts with part number.

Print Date 30/3/2020