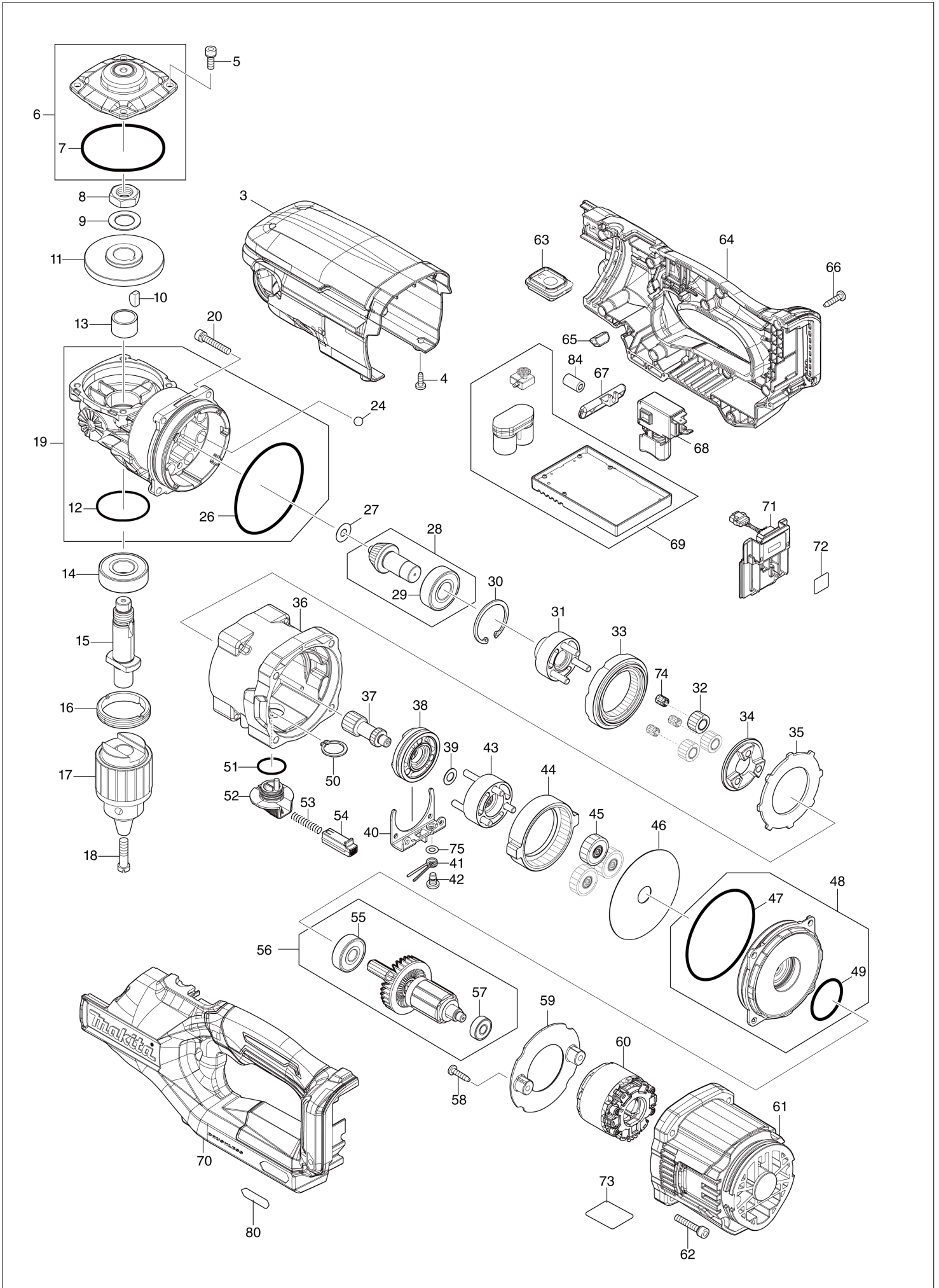
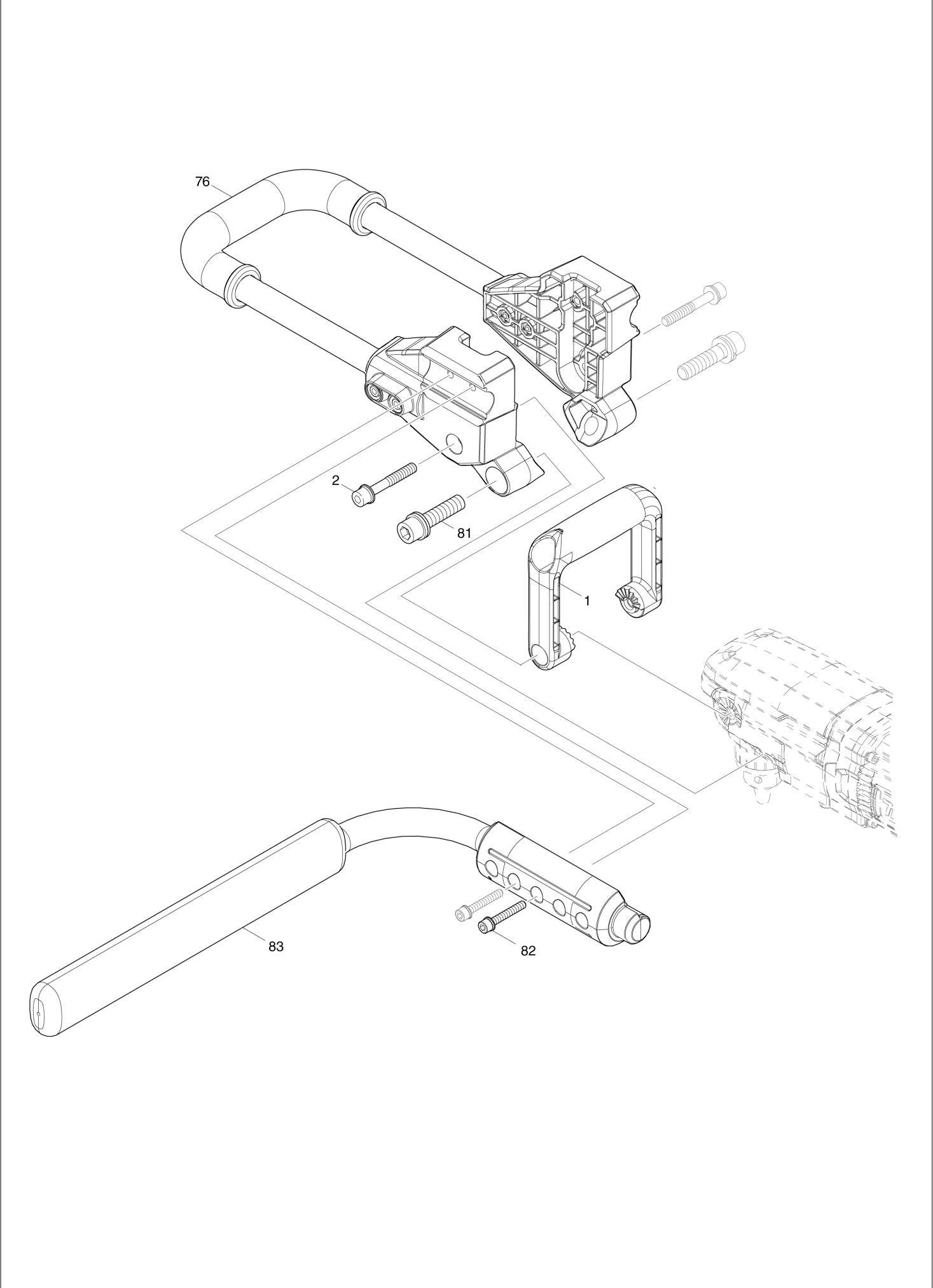


(QA) DG001G / CORDLESS EARTH AUGER



(QA) DG001G / CORDLESS EARTH AUGER



QA

DG001G / CORDLESS EARTH AUGER

| Item | Sub | Parts No. | Parts Description | Qty | I/C | E/C No. | Close No. | Remark |
|-------|-----|-----------|-------------------------------|-----|-----|---------|-----------|--------|
| 001 | | 458431-1 | FRONT GRIP | 1 | | | | |
| 002 | | 922478-6 | H.S.H.BOLT M8X55 WITH WR | 2 | | | | |
| 003 | | 458430-3 | TOP COVER | 1 | | | | |
| 004 | | 266026-4 | TAPPING SCREW BIND CT 4X12 | 2 | | | | |
| 005 | | 266086-6 | HEX. SOCKET HEAD BOLT M5X16 | 4 | | | | |
| 006 | | 140A21-7 | GEAR HOUSING COVER COMPLETE | 1 | | | | |
| | D10 | | INC. 7 | | | | | |
| 007 | | 213709-7 | O RING 63 | 1 | | | | |
| 008 | | 252267-8 | HEX. NUT M16-22 | 1 | | | | |
| 009 | | 253771-0 | FLAT WASHER 16 | 1 | | | | |
| 010 | | 254032-1 | WOODRUFF KEY 5 | 1 | | | | |
| 011 | | 227416-6 | SPIRAL BEVEL GEAR 40 | 1 | | | DB695 | |
| 011-1 | | 227920-5 | SPIRAL BEVEL GEAR 40 | 1 | S | DB695 | | |
| 012 | | 213507-9 | O RING 40 | 1 | | | | |
| 013 | | 257440-5 | SLEEVE 17 | 1 | | | | |
| 014 | | 211278-2 | BALL BEARING 6203DDW | 1 | | | | |
| 015 | | 327106-2 | SPINDLE | 1 | | | | |
| 016 | | 285842-5 | BEARING RETAINER 36-43 | 1 | | | | |
| 017 | | 763250-5 | DRILL CHUCK S-13 | 1 | | | | |
| 018 | | 251463-5 | - FLAT HEAD SCREW M6X22 | 1 | | | | |
| 019 | | 141D39-9 | GEAR HOUSING COMPLETE | 1 | | | | |
| | D10 | | INC. 12,26 | | | | | |
| 020 | | 265695-8 | H. S. H. BOLT M5X30 WITH WRM | 4 | | | | |
| 024 | | 216022-2 | STEEL BALL 7.0 | 8 | | | | |
| 026 | | 213755-0 | O RING 75 | 1 | | | | |
| 027 | | 253411-0 | FLAT WASHER 6 | 1 | | | | |
| 028 | | 140A23-3 | SPIRAL BEVEL GEAR 13 COMPLETE | 1 | | | DB695 | |
| | D10 | | INC. 29 | | | | DB695 | |
| 028-1 | | 136563-1 | SPIRAL BEVEL GEAR 13 ASS'Y | 1 | S | DB695 | | |
| | D10 | | INC. 29 | | | DB695 | | |
| 029 | | 211206-7 | BALL BEARING 6202LLB | 1 | | | | |
| 030 | | 962153-2 | RETAINING RING R-35 | 1 | | | | |
| 031 | | 140A13-6 | CARRIER A COMPLETE | 1 | | | | |
| 032 | | 226176-7 | SPUR GEAR 13 | 3 | | | | |
| 033 | | 226177-5 | INTERNAL GEAR 40 | 1 | | | | |
| 034 | | 223188-1 | CAM | 1 | | | | |
| 035 | | 347365-2 | WASHER 65 | 1 | | | | |
| 036 | | 127809-6 | GEAR CASE COMPLETE | 1 | | | | |
| 037 | | 226175-9 | SPUR GEAR 14 | 1 | | | | |
| 038 | | 310876-0 | CHANGE RING | 1 | | | | |
| 039 | | 253215-0 | FLAT WASHER 8 | 1 | | | | |
| 040 | | 347366-0 | CHANGE GUIDE | 1 | | | | |
| 041 | | 231657-8 | TORSION SPRING 6 | 1 | | | | |
| 042 | | 265628-3 | + BINDING HEAD SCREW M5 | 1 | | | | |
| 043 | | 140A14-4 | CARRIER B COMPLETE | 1 | | | | |
| 044 | | 226174-1 | INTERNAL GEAR 71 | 1 | | | | |
| 045 | | 140A12-8 | SPUR GEAR 29 COMPLETE | 3 | | | | |
| 046 | | 253412-8 | FLAT WASHER 15 | 1 | | | | |
| 047 | | 213755-0 | O RING 75 | 1 | | | | |
| 048 | | 140A20-9 | MOTOR BRACKET COMPLETE | 1 | | | | |
| | D10 | | INC. 47,49 | | | | | |
| 049 | | 213406-5 | O RING 30 | 1 | | | | |
| 050 | | 961058-3 | RETAINING RING (EXT) S-18 | 1 | | | | |
| 051 | | 213265-7 | O RING 17 | 1 | | | | |
| 052 | | 458433-7 | CHANGE LEVER | 1 | | | | |
| 053 | | 233279-0 | COMPRESSION SPRING 4 | 1 | | | | |
| 054 | | 458434-5 | LOCK BUTTON | 1 | | | | |
| 055 | | 211087-9 | BALL BEARING 6200DDW | 1 | | | | |
| 056 | | 519689-8 | ROTOR ASSY | 1 | | | | |
| | D10 | | INC. 55,57 | | | | | |
| 057 | | 211022-7 | BALL BEARING 607ZZ | 1 | | | | |
| 058 | | 266326-2 | TAPPING SCREW 4X18 | 2 | | | | |
| 059 | | 458427-2 | BAFFLE PLATE | 1 | | | | |
| 060 | | 629356-8 | STATOR | 1 | | | | |
| 061 | | 458426-4 | MOTOR HOUSING | 1 | | | | |

A:DG001GZ02(N)
B:DG001GZ04(N)
C:DG001GM204(H)

Interchange
O : Yes
X : No
< : the new part can be substituted for the current.
> : the current part can be substituted for the new.
S : Interchangeable as a set.

