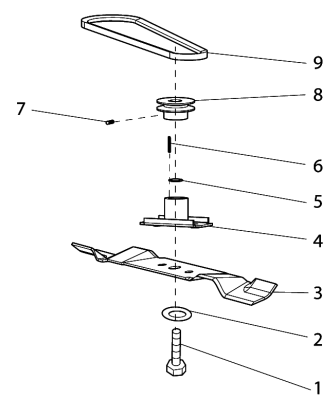
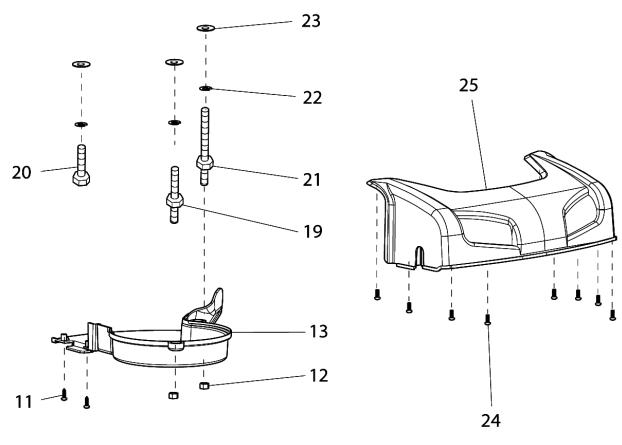
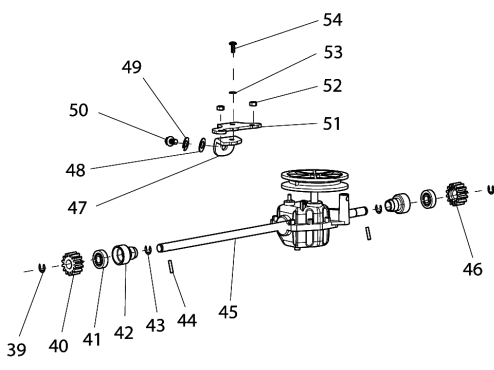
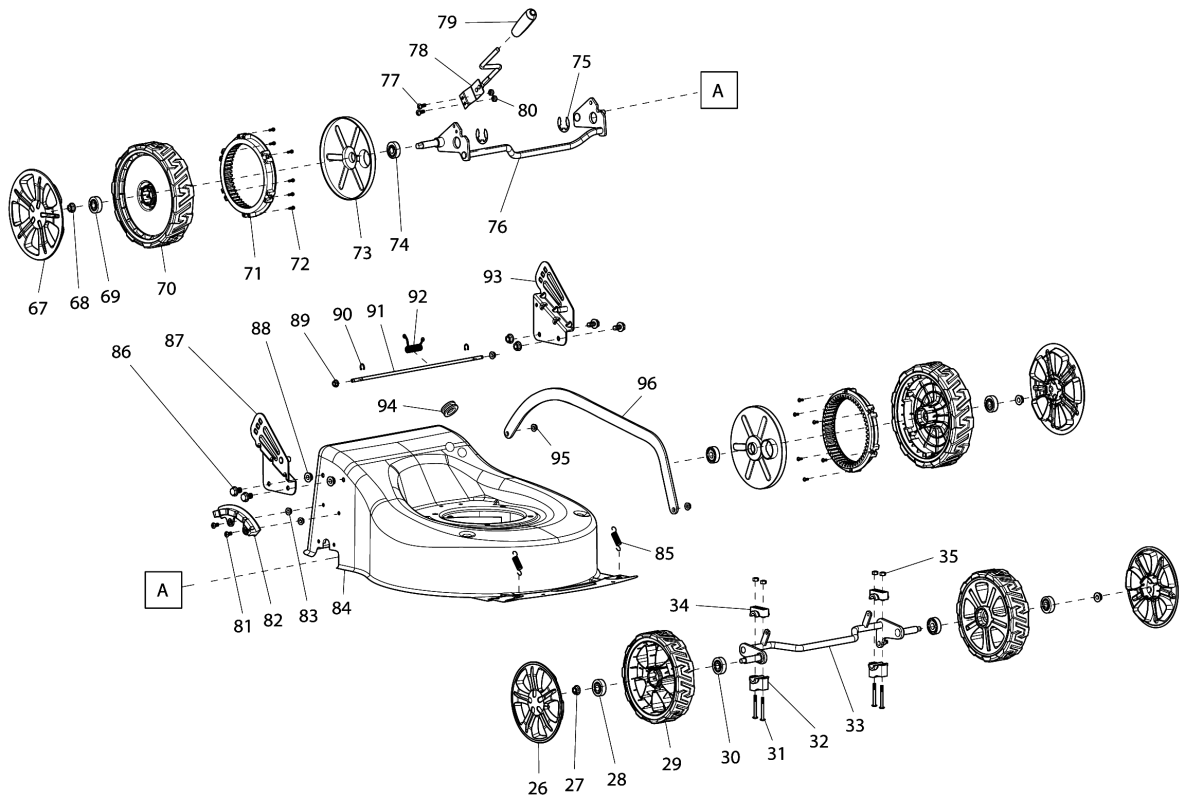
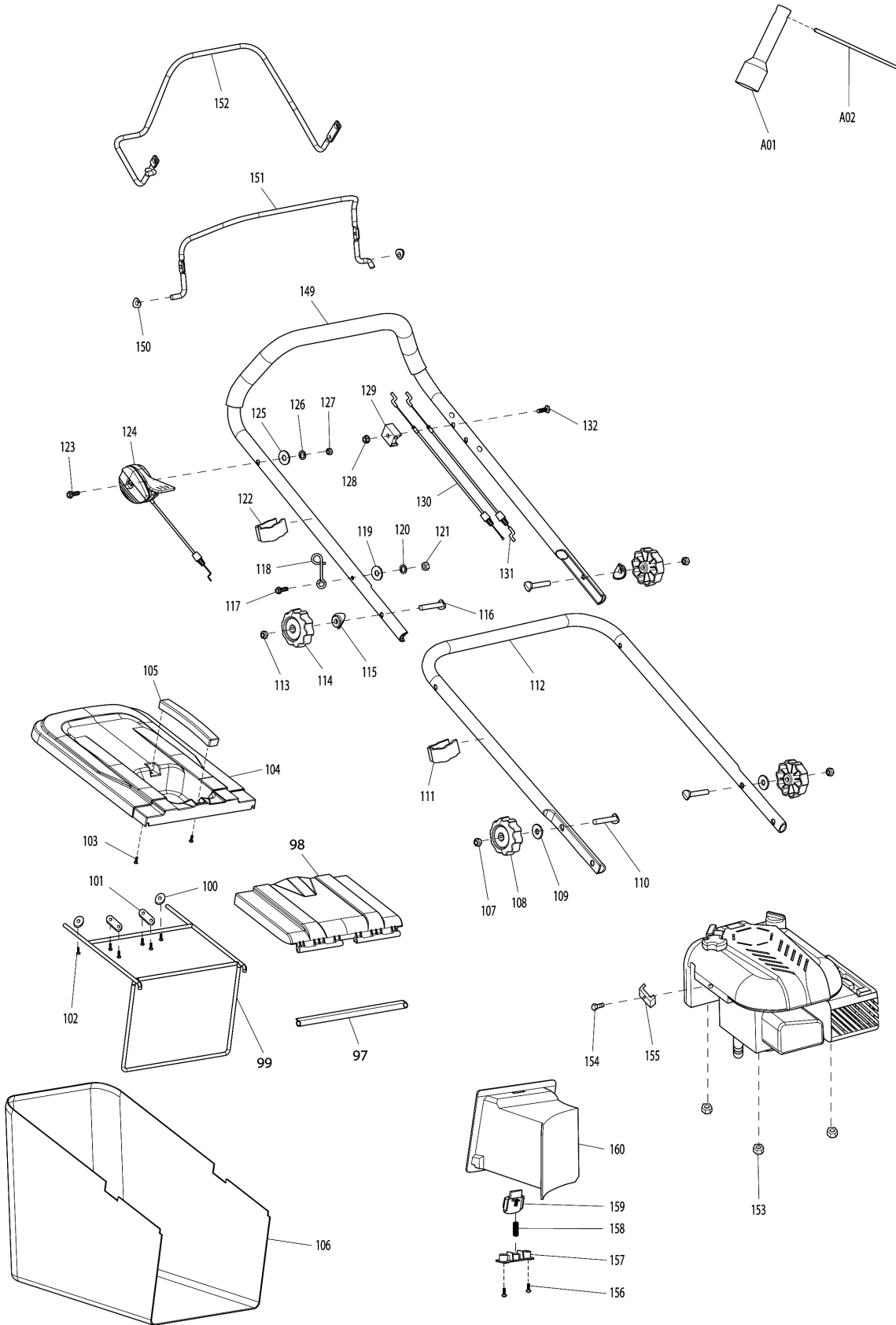


Model No.PLM4621N PETROL LAWN MOWER



Model No.PLM4621N PETROL LAWN MOWER



Model No.PLM4621N PETROL LAWN MOWER

| Item | Parts No. | Description | I/C | Qty | New/Old | Opt. 1 | Opt. 2 | Note |
|-------|------------|-------------------------------|-----|-----|---------|--------|--------|------|
| 001 | 671006065 | BLADE TIGHTEN BOLT 3/8-24 UNF | | 1 | | | | |
| 002 | 671010730 | DISH SPRING WASHER | | 1 | | | | |
| 003 | 671001451 | BLADE 46 | | 1 | * | | | |
| 003-1 | DA00001274 | BLADE 46 | < | 1 | | | | |
| 004 | 671015252 | INNER FRANGE | | 1 | | | | |
| 005 | DA00000979 | BLADE SUPPORT LINING | | 1 | | | | |
| 006 | DA00000535 | HIGHT ADJUST SUPPORT SPRING | | 1 | | | | |
| 007 | DA00000598 | H.S.SET SCREW(FLAT POINT)M6X8 | | 1 | | | | |
| 008 | 671004002 | V PULLEY | | 1 | | | | |
| 009 | 671002043 | V BELT 10MMX6MM L=762MM | | 1 | | | | |
| 011 | 671001037 | TRUSS HEAD TAPPING SCREW 5X16 | | 2 | | | | |
| 012 | 671005008 | NYLON INSERT HEX.LOCK NUT M8 | | 2 | | | | |
| 013 | 671658001 | BELT PROTECTING COVER | | 1 | | | | |
| 019 | DA00000617 | SPECIAL HEX.BOLT M8X35/M8X17 | | 1 | | | | |
| 020 | DA00000586 | HEX. BOLT M8X35 | | 1 | | | | |
| 021 | 671003024 | SPECIAL HEX. BOLT M8X60/M8X17 | | 1 | | | | |
| 022 | DA00000832 | SPRING WASHER 8 | | 3 | | | | |
| 023 | 671007007 | FLAT WASHER 8 | | 3 | | | | |
| 024 | DA00000911 | TAPPING SCREW ST4.2X10 | | 8 | | | | |
| 025 | 671659001 | FRONT AXLE COVER | | 1 | | | | |
| 026 | 671001176 | WHEEL COVER 6.5 INCH | | 2 | | | | |
| 027 | DA00000537 | HEX.FLANGE LOCK NUT M8 | | 2 | | | | |
| 028 | DA00000538 | BALL BEARING 6201ZZ | | 2 | | | | |
| 029 | 671020150 | WHEEL ASSY 7 INCH | | 2 | | | | |
| 030 | DA00000538 | BALL BEARING 6201ZZ | | 2 | | | | |
| 031 | 671002028 | PAN.HED SCREW M6X45 | | 4 | | | | |
| 032 | 671418001 | FRONT AXLE MOUNT | | 2 | | | | |
| 033 | 671001786 | FRONT AXLE | | 1 | | | | |
| 034 | 671445001 | FRONT AXLE RETAINER | | 2 | | | | |
| 035 | DA00000549 | NYLON INSERT HEX.LOCK NUT M6 | | 4 | | | | |
| 036 | 671002019 | TRUSS HEAD SCREW M6X12 | | 4 | | | | |
| 037 | DA00000542 | AXLE RETAINER | | 2 | | | | |
| 038 | DA00000543 | HEX.FLANGE LOCK NUT M6 | | 4 | | | | |
| 039 | DA00000604 | STOP RING E-12 | | 2 | | | | |
| 040 | DA00000607 | SPUR GEAR 14 RIGHT | | 1 | | | | |
| 041 | DA00000609 | BEARING | | 2 | | | | |
| 042 | DA00000610 | DRIVE SHAFT BEARING CASE | | 2 | | | | |
| 043 | DA00000604 | STOP RING E-12 | | 2 | | | | |
| 044 | DA00000597 | COLUMN PIN 5X21.5 | | 2 | | | | |

Please order the parts with part number.

Print Date 31/3/2020

Model No.PLM4621N PETROL LAWN MOWER

| Item | Parts No. | Description | I/C | Qty | New/Old | Opt. 1 | Opt. 2 | Note |
|-------|------------|------------------------------|-----|-----|---------|--------|--------|------|
| 045 | 671502016 | GEAR ASSY FOR SELF DRIVING | | 1 | | | | |
| 046 | DA00000605 | SPUR GEAR 14 LEFT | | 1 | | | | |
| 047 | DA00000915 | GEAR BOX MOUNT ANGLE | | 1 | | | | |
| 048 | 671007007 | FLAT WASHER 8 | | 1 | | | | |
| 049 | DA00000832 | SPRING WASHER 8 | | 1 | | | | |
| 050 | DA00000562 | HEX.FLANGE BOLT M8X16 | | 1 | | | | |
| 051 | 671001460 | GEAR BOX MOUNT PLATE | | 1 | | | | |
| 052 | 671005011 | NYLON INSERT HEX.LOCK NUT M5 | | 2 | | | | |
| 053 | DA00000864 | SPRING WASHER 6 | | 1 | | | | |
| 054 | 671002019 | TRUSS HEAD SCREW M6X12 | | 1 | | | | |
| 067 | DA00000536 | WHEEL COVER 7 INCH | | 2 | | | | |
| 068 | DA00000537 | HEX.FLANGE LOCK NUT M8 | | 2 | | | | |
| 069 | DA00000538 | BALL BEARING 6201ZZ | | 2 | | | | |
| 070 | 671020300 | WHEEL ASSY 8 INCH | | 2 | | | | |
| 071 | DA00000849 | INTERNAL GEAR | | 2 | | | | |
| 072 | DA00000603 | TAPPING SCREW ST4X16 | | 12 | | | | |
| 073 | DA00000606 | REAR WHEEL DUST-PROOF COVER | | 2 | | | | |
| 074 | DA00000538 | BALL BEARING 6201ZZ | | 2 | | | | |
| 075 | DA00000612 | STOP RING E-19 | | 2 | | | | |
| 076 | 671144602 | REAR AXLE | | 1 | | | | |
| 077 | DA00000912 | PAN.HED SCREW M5X14 | | 2 | | | | |
| 078 | 671001430 | HEIGHT ADJUSTMENT LEVER ASSY | | 1 | | | | |
| 079 | 671102602 | HEIGHT ADJUSTMENT LEVER ASSY | | 1 | * | | | |
| 079-1 | DA00001073 | HANDLE SET | O | 1 | | | | |
| 080 | 671005011 | NYLON INSERT HEX.LOCK NUT M5 | | 2 | | | | |
| 081 | 671002019 | TRUSS HEAD SCREW M6X12 | | 2 | | | | |
| 082 | DA00000787 | HEIGHT ADJUSTER STOP PLATE | | 1 | | | | |
| 083 | DA00000543 | HEX.FLANGE LOCK NUT M6 | | 2 | | | | |
| 084 | 671001517 | DECK BLUE | | 1 | | | | |
| 085 | 671011125 | HEIGHT ADJUST TENSION SPRING | | 2 | | | | |
| 086 | DA00000562 | HEX.FLANGE BOLT M8X16 | | 4 | | | | |
| 087 | 671001180 | RIGHT HANDLE BRACKET BLUE | | 1 | | | | |
| 088 | DA00000537 | HEX.FLANGE LOCK NUT M8 | | 4 | | | | |
| 089 | DA00000543 | HEX.FLANGE LOCK NUT M6 | | 2 | | | | |
| 090 | 671009017 | STOP RING E-6 | | 2 | | | | |
| 091 | 671001518 | REAR FLAP HINGE ROD | | 1 | | | | |
| 092 | 671011101 | REAR FLAP TORSION SPRING | | 1 | | | | |
| 093 | 671001179 | LEFT HANDLE BRACKET BLUE | | 1 | | | | |

Model No.PLM4621N PETROL LAWN MOWER

| Item | Parts No. | Description | I/C | Qty | New/Old | Opt. 1 | Opt. 2 | Note |
|-------|------------|--------------------------------|-----|-----|---------|--------|--------|------|
| 094 | 671800104 | GROMMET | | 1 | | | | |
| 095 | DA00000549 | NYLON INSERT HEX.LOCK NUT M6 | | 2 | | | | |
| 096 | 671002671 | LINK ROD | | 1 | | | | |
| 097 | 671001353 | GRASS CATCHER FRAME SHEATH | | 1 | | | | |
| 098 | 671468001 | REAR FLAP | | 1 | | | | |
| 099 | 671001443 | GRASS CATCHER FRAME | | 1 | | | | |
| 100 | 671001436 | WASHER 4 | | 2 | * | | | |
| 100-1 | DA00000025 | WASHER 5 | O | 2 | | | | |
| 101 | 671001203 | RETAINER PLATE | | 2 | * | | | |
| 101-1 | DA00000335 | RETAINER PLATE | O | 2 | | | | |
| 102 | DA00000888 | TAPPING SCREW ST5X12 | | 6 | | | | |
| 103 | 671105502 | TAPPING SCREW ST5X16 | | 2 | * | | | |
| 103-1 | DA00000326 | TAPPING SCREW ST5X16 | O | 2 | | | | |
| 104 | 671467001 | GRASS CATCHER UPPER BORAD | | 1 | | | | |
| 105 | 671454001 | GRASS CATCHER HANDLE | | 1 | | | | |
| 106 | 671001418 | GRASS CATCHER CLOTH SET MAKITA | | 1 | | | | |
| 107 | DA00000563 | HEXAGON NUT M8 | | 2 | | | | |
| 108 | DA00000564 | KNOB | | 2 | | | | |
| 109 | 671007007 | FLAT WASHER 8 | | 2 | | | | |
| 110 | DA00000880 | SADDLE HEAD BOLT M8X35 | | 2 | | | | |
| 111 | 671611001 | CABLE CLIP | | 1 | | | | |
| 112 | 671001606 | LOWER HANDLE BAR | | 1 | | | | |
| 113 | DA00000563 | HEXAGON NUT M8 | | 2 | | | | |
| 114 | DA00000564 | KNOB | | 2 | | | | |
| 115 | DA00000565 | PLASTIC SADDLE WASHER 8 | | 2 | | | | |
| 116 | DA00000569 | SADDLE HEAD BOLT M8X58 | | 2 | | | | |
| 117 | DA00000577 | HEX.FLANGE BOLT M6X35 | | 1 | | | | |
| 118 | DA00000579 | STARTER GRIP HOOK | | 1 | | | | |
| 119 | DA00000574 | FLAT WASHER 6 | | 1 | | | | |
| 120 | DA00000864 | SPRING WASHER 6 | | 1 | | | | |
| 121 | DA00000575 | HEX.CAP NUT M6 | | 1 | | | | |
| 122 | 671611001 | CABLE CLIP | | 1 | | | | |
| 123 | 671006082 | HEX. FLANGE BOLT M6X50 | | 1 | | | | |
| 124 | 671001137 | THROTTLE CONTROL BOX ASSY | | 1 | | | | |
| 125 | DA00000574 | FLAT WASHER 6 | | 1 | | | | |
| 126 | DA00000864 | SPRING WASHER 6 | | 1 | | | | |
| 127 | DA00000575 | HEX.CAP NUT M6 | | 1 | | | | |
| 128 | DA00000575 | HEX.CAP NUT M6 | | 1 | | | | |
| 129 | DA00000573 | OUTER WIRE STOPPER | | 1 | | | | |
| 130 | DA00000977 | SELF DRIVE CONTROL WIRE ASSY | | 1 | | | | |

Please order the parts with part number.

Print Date 31/3/2020

Model No.PLM4621N PETROL LAWN MOWER

| Item | Parts No. | Description | I/C | Qty | New/Old | Opt. 1 | Opt. 2 | Note |
|------|------------|------------------------------|-----|-----|---------|--------|--------|------|
| 131 | 671001113 | ENGINE CLUTCH WIRE | | 1 | | | | |
| 132 | DA00000577 | HEX.FLANGE BOLT M6X35 | | 1 | | | | |
| 149 | 671002001 | UPPER HANDLE BAR ASSY | | 1 | | | | |
| 150 | 671001524 | SADDLE WASHER 8 | | 2 | | | | |
| 151 | DA00000961 | ENGINE CLUTCH LEVER | | 1 | | | | |
| 152 | DA00000964 | SELF DRIVE CONTROL LEVER | | 1 | | | | |
| 153 | DA00000537 | HEX.FLANGE LOCK NUT M8 | | 3 | | | | |
| 154 | 671003012 | HEX. BOLT M5X14 | | 1 | | | | |
| 155 | 671010830 | OUTER WIRE STOPPER | | 1 | | | | |
| 156 | DA00000603 | TAPPING SCREW ST4X16 | | 2 | | | | |
| 157 | 671317001 | PRESSING BOARD OF LOCKING | | 1 | | | | |
| 158 | 671011005 | COMPRESSION SPRING | | 1 | | | | |
| 159 | 671316004 | LOCKING BUTTON | | 1 | | | | |
| 160 | 671660001 | MULCHING PLUG BOX | | 1 | | | | |
| A01 | 671001078 | BOX WRENCH 21MM | | 1 | | | | |
| A02 | DA00000584 | WRENCH HANDLE | | 1 | | | | |

Please order the parts with part number.

Print Date 31/3/2020