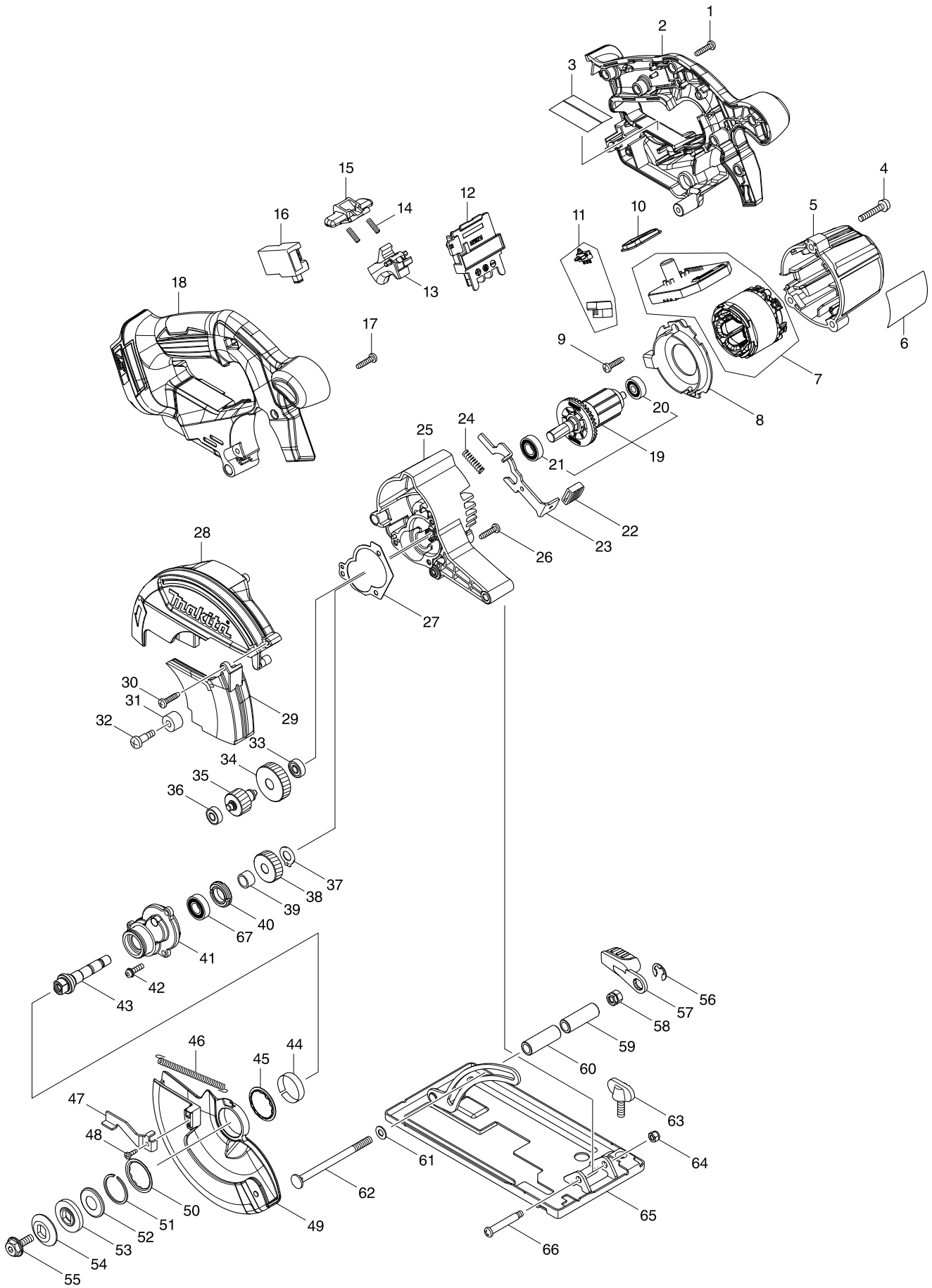


Model No. DCS551 150MM CORDLESS METAL CUTTER



Model No. DCS551 150MM CORDLESS METAL CUTTER

| Item | Parts No. | Description | I/C | Qty | N/O | Opt. 1 | Opt. 2 | Note |
|------|-----------|---------------------------|-----|-----|-----|--------|--------|------|
| 001 | 265995-6 | TAPPING SCREW 4X18 | | 8 | | | | |
| 002 | 183B24-4 | HANDLE SET | | 1 | | | | |
| C10 | 263005-3 | RUBBER PIN 6 | | 2 | | | | |
| D10 | | INC. 18 | | | | | | |
| 004 | 911253-5 | PAN HEAD SCREW M5X30 | | 3 | | | | |
| 005 | 455900-3 | MOTOR HOUSING | | 1 | | | | |
| 006 | 850X99-7 | DCS551 NAME PLATE | | 1 | | | | |
| 007 | 632E36-7 | STATOR UNIT | | 1 | | | | |
| 008 | 455897-6 | BAFFLE PLATE | | 1 | | | | |
| 009 | 265995-6 | TAPPING SCREW 4X18 | | 2 | | | | |
| 010 | 142948-1 | INDICATION PLATE COMPLETE | | 1 | | | | |
| 011 | 632E44-8 | SWITCH UNIT | | 1 | | | | |
| 012 | 643899-6 | TERMINAL | | 1 | | | | |
| 013 | 455480-9 | SWITCH LEVER | | 1 | | | | |
| 014 | 231469-9 | COMPRESSION SPRING 4 | | 2 | | | | |
| 015 | 419664-3 | LOCK OFF LEVER | | 1 | | | | |
| 016 | 650734-1 | SWITCH TG73BDS-2 | | 1 | | | | |
| 017 | 265995-6 | TAPPING SCREW 4X18 | | 2 | | | | |
| 018 | 183B24-4 | HANDLE SET | | 1 | | | | |
| C10 | 263005-3 | RUBBER PIN 6 | | 2 | | | | |
| D10 | | INC. 2 | | | | | | |
| 019 | 519365-4 | ROTOR ASS'Y | | 1 | | | | |
| D10 | | INC. 20,21 | | | | | | |
| 020 | 210022-4 | BALL BEARING 626DDW | | 1 | | | | |
| 021 | 210069-8 | BALL BEARING 6900DDW | | 1 | | | | |
| 022 | 286275-7 | CAP | | 1 | | | | |
| 023 | 346885-3 | SHAFT LOCK | | 1 | | | | |
| 024 | 233117-6 | COMPRESSION SPRING 6 | | 1 | | | | |
| 025 | 143229-6 | GEAR HOUSING COMPLETE | | 1 | | | | |
| C10 | 213961-7 | O RING 22 | | 1 | | | | |
| 026 | 265995-6 | TAPPING SCREW 4X18 | | 2 | | | | |
| 027 | 424715-9 | GASKET | | 1 | | | | |
| 028 | 455899-2 | BLADE CASE | | 1 | | | | |
| 029 | 455898-4 | BLADE COVER | | 1 | | | | |
| 030 | 265995-6 | TAPPING SCREW 4X18 | | 1 | | | | |
| 031 | 262511-5 | RUBBER SLEEVE 6 | | 1 | | | | |
| 032 | 265115-2 | + PAN HEAD SCREW M5 | | 1 | | | | |
| 033 | 210065-6 | BALL BEARING 625ZZ | | 1 | | | | |
| 034 | 227809-7 | HERICAL GEAR 30 | | 1 | | | | |
| 035 | 227807-1 | HERICAL GEAR 17 | | 1 | | | | |
| 036 | 210033-9 | BALL BEARING 696ZZ | | 1 | | | | |
| 037 | 961005-4 | RETAINING RING S-9 | | 1 | | | | |
| 038 | 227808-9 | HERICAL GEAR 24 | | 1 | | | | |
| 039 | 257728-3 | SLEEVE 10 | | 1 | | | | |
| 040 | 285847-5 | BEARING RETAINER 14-23 | | 1 | | | | |
| 041 | 143228-8 | BEARING BOX COMPLETE | | 1 | | | | |
| C10 | 263002-9 | RUBBER PIN 4 | | 1 | | | | |
| 042 | 911128-8 | P.H.SCREW M4X16 WITH WR | | 3 | | | | |

Model No. DCS551 150MM CORDLESS METAL CUTTER

| Item | Parts No. | Description | I/C | Qty | N/O | Opt. 1 | Opt. 2 | Note |
|------|-----------|--------------------------------|-----|-----|-----|--------|--------|------|
| 043 | 326540-3 | SPINDLE | | 1 | | | | |
| 044 | 345470-9 | THICKNESS RING | | 1 | | | | |
| 045 | 345739-1 | SPACER | | 1 | | | | |
| 046 | 231792-2 | TENSION SPRING 3 | | 1 | | | | |
| 047 | 272285-0 | LEVER 48 | | 1 | | | | |
| 048 | 266007-8 | TAPPING SCREW BIND PT 3X10 | | 1 | | | | |
| 049 | 143155-9 | SAFETY COVER COMPLETE | | 1 | | | | |
| 050 | 345739-1 | SPACER | | 1 | | | | |
| 051 | 257938-2 | RETAINING RING(EXT) WR-26 | | 1 | | | | |
| 052 | 267802-9 | CUP WASHER 13 | | 1 | | | | |
| 053 | 224391-7 | INNER FLANGE 30 | | 1 | | | | |
| 054 | 224404-4 | OUTER FLANGE 30 | | 1 | | | | |
| 055 | 266925-0 | HEX.SOCKET HEX.BOLT M6X18 | | 1 | | | | |
| 056 | 257982-9 | BOW STOP RING E-8 | | 1 | | | | |
| 057 | 272272-9 | LEVER 45 | | 1 | | | | |
| 058 | 264096-7 | HEX. NUT M6 | | 1 | | | | |
| 059 | 331719-3 | PIPE 9 | | 1 | | | | |
| 060 | 331719-3 | PIPE 9 | | 1 | | | | |
| 061 | 941151-9 | FLAT WASHER 6 | | 1 | | | | |
| 062 | 266195-1 | CAP SQUARE BOLT M6X90 | | 1 | | | | |
| 063 | 251896-4 | SCREW M5X20 | | 1 | | | | |
| 064 | 252103-8 | HEX. LOCK NUT M5-8 | | 1 | | | | |
| 065 | 161326-6 | BASE | | 1 | | | | |
| 066 | 265056-2 | + PAN HEAD SCREW M5 | | 1 | | | | |
| 067 | 210069-8 | BALL BEARING 6900DDW | | 1 | | | | |
| A01 | 192219-6 | SAFETY GOGGLE | | 1 | | | | |
| A02 | 783203-8 | HEX. WRENCH 5 | | 1 | | | | |
| A03 | B-46296 | T.C.T SAW BLADE 150X20X32T | | 1 | | | | |
| A04B | 821551-8 | CONNECTOR PLASTIC CASE (TYPE3) | | 1 | | | | |
| C10 | 453974-8 | LATCH | | 4 | | | | |
| A05B | 838269-4 | INNER TRAY | | 1 | | | | |
| A06B | 806R47-8 | DCS551RTJ INDICATION LABEL | | 1 | | | | |
| A07B | 806R48-6 | DCS551RTJ PLASTIC CASE LABEL | | 2 | | | | |
| A08B | ***DC18RC | DC18RC FAST CHARGER | | 1 | | | | |
| A09B | 197280-8 | BATTERY BL1850B SET | | 2 | | | | |
| A10B | 450128-8 | BATTERY COVER | | 1 | | | | |
| | | | | | | | | |
| | | | | | | | | |
| | | | | | | | | |
| | | | | | | | | |
| | | | | | | | | |
| | | | | | | | | |
| | | | | | | | | |
| | | | | | | | | |
| | | | | | | | | |
| | | | | | | | | |
| | | | | | | | | |
| | | | | | | | | |
| | | | | | | | | |
| | | | | | | | | |
| | | | | | | | | |
| | | | | | | | | |
| | | | | | | | | |
| | | | | | | | | |
| | | | | | | | | |
| | | | | | | | | |
| | | | | | | | | |