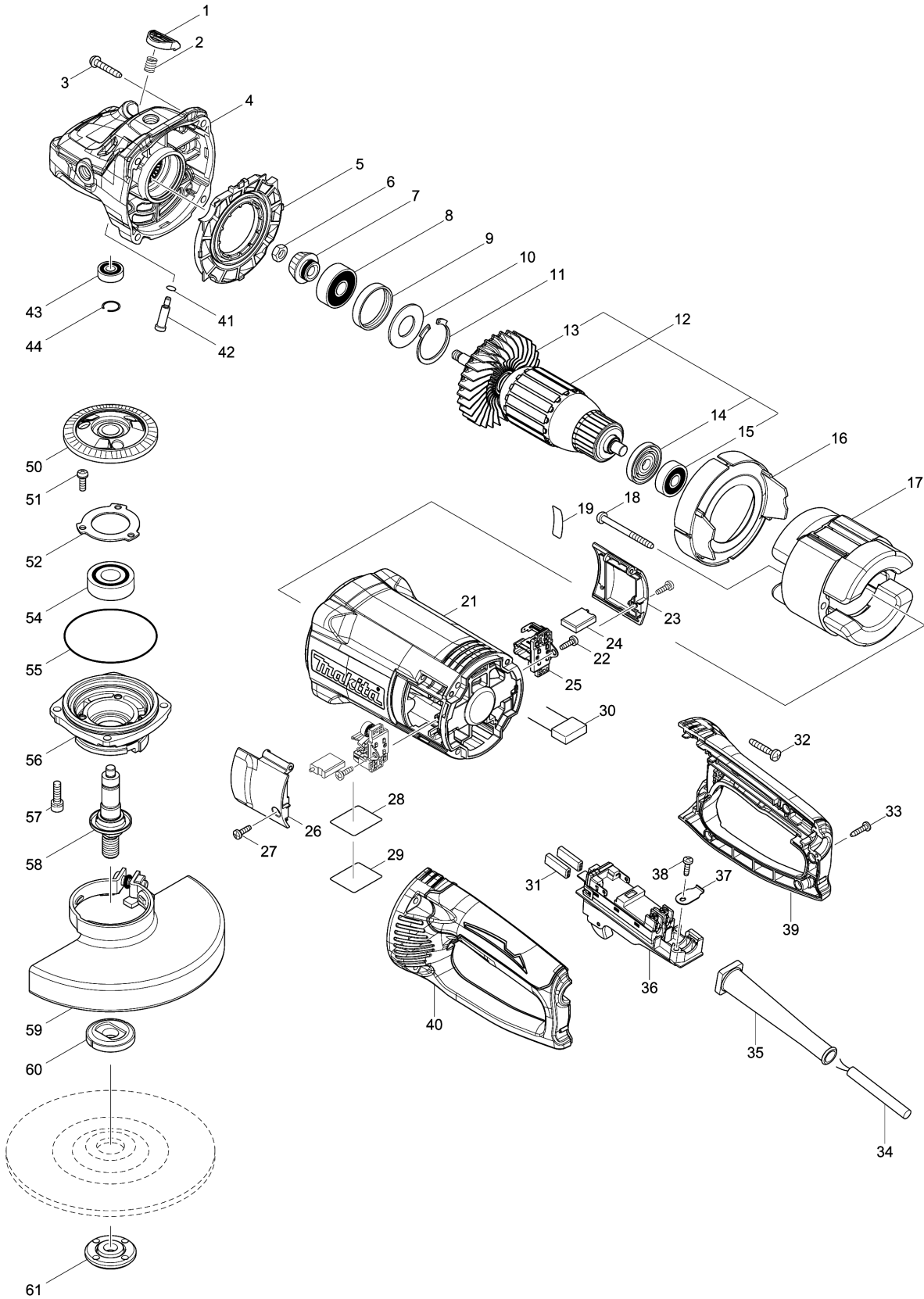


Model No.GA7062 180MM ANGLE GRINDER



Model No.GA7062 180MM ANGLE GRINDER

| Item | Parts No. | Description | I/C | Qty | New/Old | Opt. 1 | Opt. 2 | Note |
|------|-----------|-----------------------------|-----|-----|---------|--------|--------|------|
| 001 | 456247-8 | PIN CAP | | 1 | | | | |
| 002 | 234391-9 | COMPRESSION SPRING 8 | | 1 | | | | |
| 003 | 251489-7 | TAPPING SCREW 5X30 | | 4 | | | | |
| 004 | 143485-8 | GEAR HOUSING COMPLETE | | 1 | | | | |
| C10 | 263002-9 | RUBBER PIN 4 | | 1 | | | | |
| 005 | 456238-9 | DIFFUSER | | 1 | | | | |
| 006 | 252194-9 | HEX. NUT M8 | | 1 | | | | |
| 007 | 227655-8 | SPIRAL BEVEL GEAR 17 | | 1 | | | | |
| 008 | 211132-0 | BALL BEARING 6301DDW | | 1 | | | | |
| 009 | 262085-6 | RUBBER RING 38 | | 1 | | | | |
| 010 | 267299-2 | FLAT WASHER 20 | | 1 | | | | |
| 011 | 962211-4 | RETAINING RING R-42 | | 1 | | | | |
| 012 | 513448-2 | ARMATURE ASS'Y 220V | | 1 | | | | |
| D10 | | INC. 13-15 | | | | | | |
| 013 | 240161-6 | FAN 86 | | 1 | | | | |
| 014 | 681630-2 | INSULATION WASHER | | 1 | | | | |
| 015 | 211087-9 | BALL BEARING 6200DDW | | 1 | | | | |
| 016 | 456239-7 | BAFFLE PLATE | | 1 | | | | |
| 017 | 621779-6 | FIELD 240V | | 1 | | | | |
| 018 | 266044-2 | TAPPING SCREW 5X60 | | 2 | | | | |
| 019 | 853C82-7 | GA7062 SERIAL NO. LABEL | | 1 | | | | |
| 021 | 456240-2 | MOTOR HOUSING | | 1 | | | | |
| 022 | 266192-7 | TAPPING SCREW 4X14 | | 2 | | | | |
| 023 | 456246-0 | BRUSH HOLDER COVER R | | 1 | | | | |
| 024 | 197129-2 | CARBON BRUSH CB-218 | | 1 | | | | |
| 025 | 643715-2 | BRUSH HOLDER | | 2 | | | | |
| 026 | 456245-2 | BRUSH HOLDER COVER L | | 1 | | | | |
| 027 | 266192-7 | TAPPING SCREW 4X14 | | 2 | | | | |
| 028 | 853C80-1 | GA7062 NAME PLATE | | 1 | | | | |
| 029 | 809R72-8 | CLEAR LABEL | | 1 | * | | | |
| 030 | 645088-9 | NOISE SUPPRESSOR | | 1 | | | | |
| 031 | 686036-9 | RECEPTACLE SLEEVE | | 2 | | | | |
| 032 | 251489-7 | TAPPING SCREW 5X30 | | 4 | | | | |
| 033 | 265995-6 | TAPPING SCREW 4X18 | | 4 | | | | |
| 034 | 695107-1 | POWER SUPPLY CORD 1.5-2-2.5 | | 1 | | | | |
| 035 | 682573-1 | CORD GUARD 10 | | 1 | | | | |
| 036 | 632F75-3 | SWITCH UNIT | | 1 | | | | |
| 037 | 687169-3 | STRAIN RELIEF | | 1 | | | | |
| 038 | 266192-7 | TAPPING SCREW 4X14 | | 1 | | | | |
| 039 | 183G26-0 | HANDLE SET | | 1 | | | | |
| D10 | | INC. 40 | | | | | | |
| 040 | 183G26-0 | HANDLE SET | | 1 | | | | |

Please order the parts with part number.

Print Date 3/6/2022

Model No.GA7062 180MM ANGLE GRINDER

| Item | Parts No. | Description | I/C | Qty | New/Old | Opt. 1 | Opt. 2 | Note |
|-------|-----------|--------------------------------|-----|-----|---------|--------|--------|------|
| D10 | | INC. 39 | | | | | | |
| 041 | 213026-5 | O RING 7 | | 1 | * | | | |
| 041-1 | 213A14-8 | O-RING7 | O | 1 | | | | |
| 042 | 256571-7 | SHOULDER PIN 7 | | 1 | | | | |
| 043 | 211032-4 | BALL BEARING 608ZZ | | 1 | * | | | |
| 043-1 | 210223-4 | BALL BEARING 608ZZ | O | 1 | * | | | |
| 043-2 | 211032-4 | BALL BEARING 608ZZ | O | 1 | | | | |
| 044 | 233925-5 | RING SPRING 13 | | 1 | | | | |
| 050 | 227656-6 | SPIRAL BEVEL GEAR 55 | | 1 | | | | |
| 051 | 265120-9 | PAN HEAD SCREW M5X16 | | 3 | | | | |
| 052 | 285741-1 | BEARING RETAINER 50 | | 1 | | | | |
| 054 | 211278-2 | BALL BEARING 6203DDW | | 1 | | | | |
| 055 | 213760-7 | O RING 78 | | 1 | | | | |
| 056 | 319351-3 | BEARING BOX | | 1 | | | | |
| 057 | 265541-5 | HEX. SOCKET HEAD BOLT M6X22 | | 4 | | | | |
| 058 | 143484-0 | SPINDLE COMPLETE | | 1 | | | | |
| 059 | 122889-7 | WHEEL COVER 180K ASSEMBLY | | 1 | | | | |
| C10 | 213017-6 | O RING 6 | | 1 | | | | |
| C20 | 265198-2 | +PAN HEAD SCREW M8X25 | | 1 | | | | |
| 060 | 224415-9 | INNER FLANGE 42 | | 1 | | | | |
| 061 | 224485-8 | LOCK NUT 14-45 | | 1 | | | | |
| A01 | 143486-6 | GRIP 37 COMPLETE | | 1 | | | | |
| A02 | 197610-3 | LOCK NUT WRENCH 35 SET | | 1 | | | | |

Please order the parts with part number.

Print Date 3/6/2022