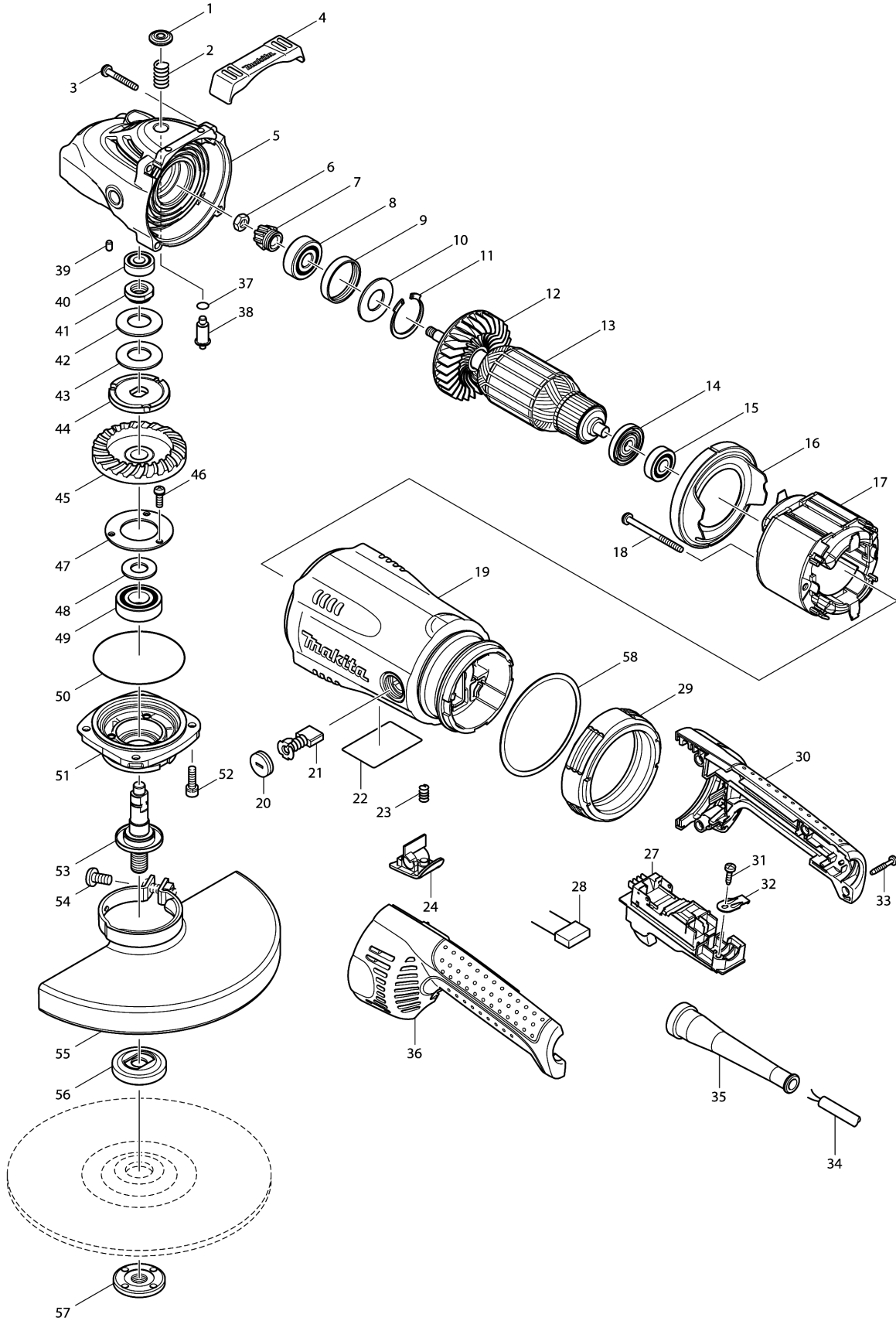


Model No.GA9030 ANGLE GRINDER 230MM



Model No.GA9030 ANGLE GRINDER 230MM

Item	Parts No.	Description	I/C	Qty	New/Old	Opt. 1	Opt. 2	Note
001	419133-4	PIN CAP		1				
002	233292-8	COMPRESSION SPRING 12		1				
003	266012-5	TAPPING SCREW 5X35		4				
004	419144-9	BUMPER		1				
005	154685-5	GEAR HOUSING COMPLETE		1	*			
C10	262118-7	FELT RING 18		1	*			
005-1	154685-5	GEAR HOUSING COMPLETE	O	1	*			
C10	262118-7	FELT RING 18		1	*			
C20	419134-2	LABYRINTH PLATE		1	*			
005-2	154685-5	GEAR HOUSING COMPLETE	O	1	*			
C10	262118-7	FELT RING 18		1	*			
005-3	142754-4	GEAR HOUSING COMPLETE	<	1				
C10	262118-7	FELT RING 18		1				
006	252194-9	HEX. NUT M8		1				
007	227490-4	SPIRAL BEVEL GEAR 12		1				
008	211132-0	BALL BEARING 6301DDW		1				
009	262085-6	RUBBER RING 38		1				
010	267299-2	FLAT WASHER 20		1				
011	962211-4	RETAINING RING R-42		1				
012	240081-4	FAN 80		1				
013	516963-5	ARMATURE ASS'Y 220V		1	*			
D10		INC. 12,14,15			*			
013-1	517828-4	ARMATURE ASS'Y 220V	<	1				
D10		INC. 12,14,15						
014	681630-2	INSULATION WASHER		1				
015	210075-3	BALL BEARING 6200DDW		1	*			
015-1	211087-9	BALL BEARING 6200DDW	<	1				
016	419135-0	BAFFLE PLATE		1				
017	526168-9	FIELD ASS'Y 220V		1	*			
C10	654197-3	RING TERMINAL		2	*			
C20	654502-4	CONNECTOR P-2		2	*			
017-1	526193-0	FIELD ASS'Y 220-240V	O	1				
C10	654197-3	RING TERMINAL		2				
C20	654502-4	CONNECTOR P-2		2				
018	266029-8	TAPPING SCREW 5X65		2				
019	154786-9	MOTOR HOUSING COMPLETE		1				
C10	643712-8	BRUSH HOLDER		2				
020	643700-5	BRUSH HOLDER CAP 7-18		2				
021	191957-7	A.C. CARBON BRUSH CB-204		1				
022	862125-6	GA9030 NAME PLATE		1				
023	233375-4	COMPRESSION SPRING 7		1				
024	419260-7	LOCK BUTTON		1				

Please order the parts with part number.

Print Date 8/9/2020

Model No.GA9030 ANGLE GRINDER 230MM

Item	Parts No.	Description	I/C	Qty	New/Old	Opt. 1	Opt. 2	Note
027	651173-8	SWITCH 1267.5113		1	*			
027-1	650100-2	SWITCH TG08-1300-011	O	1	*			
027-2	650102-8	SWITCH TG08-1200-011	<	1				
028	645088-9	NOISE SUPPRESSOR		1				
029	421936-4	VIBRATION PROOF RUBBER		1				
030	188123-5	HANDLE SET		1				
C10	423350-0	SPONGE SHEET		1				
D10		INC. 36						
031	266192-7	TAPPING SCREW 4X14		1				
032	687169-3	STRAIN RELIEF		1				
033	265999-8	TAPPING SCREW 4X25		4				
034	665630-0	POWER SUPPLY CORD 1.5-2-2.5		1	*			
034-1	695107-1	POWER SUPPLY CORD 1.5-2-2.5	O	1				
035	682560-0	CORD GUARD 10		1				
036	188123-5	HANDLE SET		1				
C10	423350-0	SPONGE SHEET		1				
D10		INC. 30						
037	213062-1	O RING 9		1				
038	256491-5	SHOULDER PIN 5		1				
039	263002-9	RUBBER PIN 4		1				
040	210067-2	BALL BEARING 6000ZZ		1	*			
040-1	211061-7	BALL BEARING 6000LLB	<	1				
041	252429-8	NUT M15-23		1				
042	232163-6	CUP SPRING 20		1				
043	232163-6	CUP SPRING 20		1				
044	267798-4	LOCK WASHER		1				
045	227492-0	SPIRAL BEVEL GEAR 53C		1				
046	265120-9	PAN HEAD SCREW M5X16		3				
047	285724-1	BEARING RETAINER 50		1				
048	267167-9	FLAT WASHER 15		1				
049	211285-5	BALL BEARING 6203DDW		1	*			
049-1	211278-2	BALL BEARING 6203DDW	<	1				
050	213760-7	O RING 78		1				
051	317988-0	BEARING BOX		1	*			
051-1	318377-2	BEARING BOX	S	1				
052	265541-5	HEX. SOCKET HEAD BOLT M6X22		4				
053	154777-0	SPINDLE COMPLETE		1				
054	265158-4	+PAN HEAD SCREW M8X25		1	*			
054-1	265198-2	+PAN HEAD SCREW M8X25	<	1				
055	154672-4	WHEEL COVER 230 COMPLETE		1	*			

Model No.GA9030 ANGLE GRINDER 230MM

Item	Parts No.	Description	I/C	Qty	New/Old	Opt. 1	Opt. 2	Note
D10		INC. 54			*			
055-1	122891-0	WHEEL COVER 230K ASSEMBLY	S	1				
C10	213017-6	O RING 6		1	*			
C11	213775-4	O-RING 7	O	1				
D10		INC. 54						
056	122444-5	INNER FLANGE 47 ASS'Y		1				
057	224543-0	LOCK NUT 14-45		1				
058	261131-2	NYLON WASHER 89		1				
059	819357-6	CLEAR LABEL		1	*			
059-1	804Y42-4	CLEAR LABEL	<	1	*			
A01	152539-0	GRIP 36 COMPLETE		1	*			
A01-1	162264-5	VIBRATION PROOF GRIP	<	1				
A02	782407-9	LOCK NUT WRENCH 35		1	*			
A02-1	197610-3	LOCK NUT WRENCH 35 SET	O	1				

Please order the parts with part number.

Print Date 8/9/2020