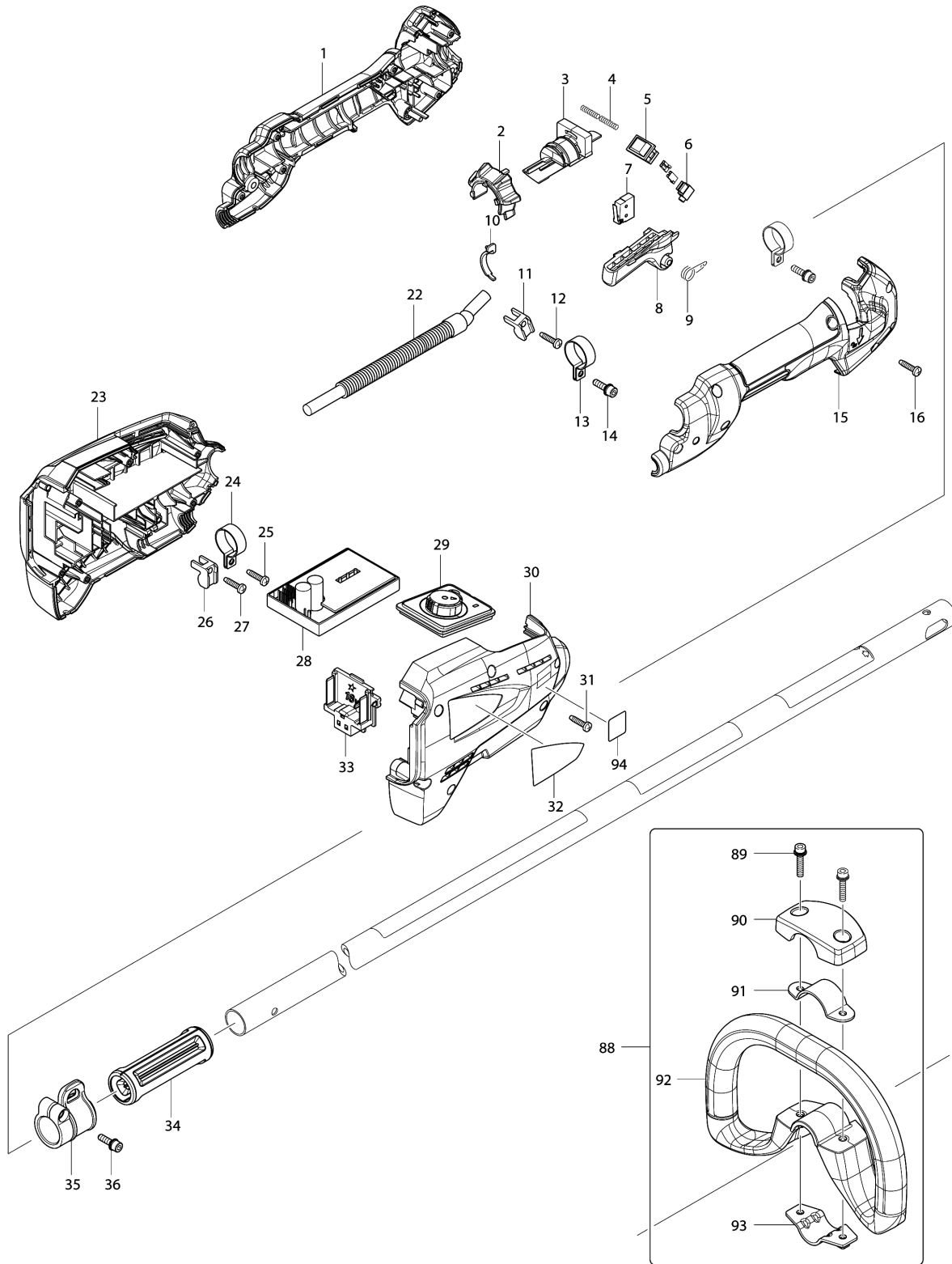
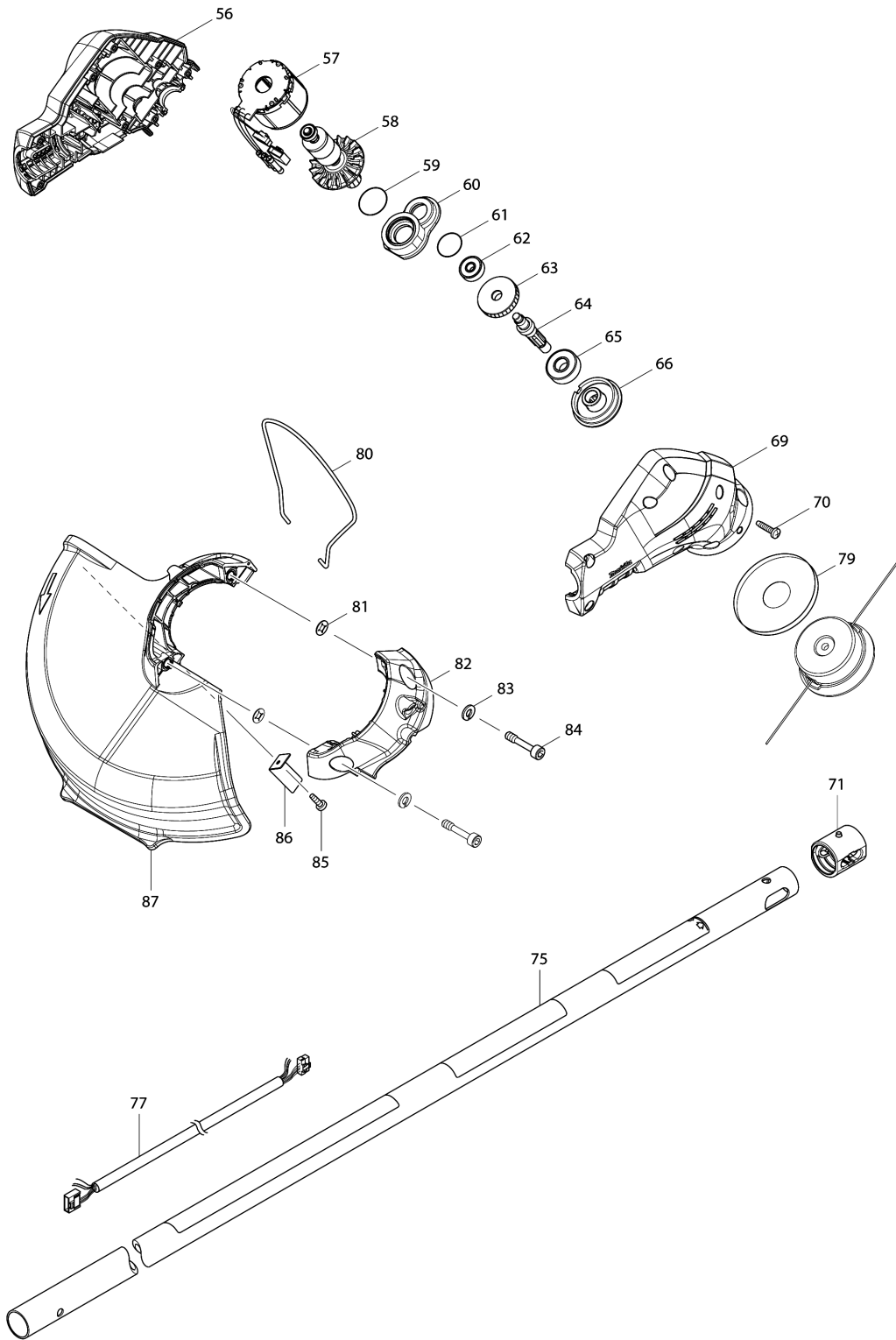


Model No.DUR182L CORDLESS GRASS TRIMMER



Model No.DUR182L CORDLESS GRASS TRIMMER



Model No.DUR182L CORDLESS GRASS TRIMMER

Item	Parts No.	Description	I/C	Qty	New/Old	Opt. 1	Opt. 2	Note
001	187698-1	GRIP SET		1				
D10		INC. 15						
002	454737-5	LOCK OFF LEVER		1				
003	454738-3	LEVER BASE		1				
004	234079-1	COMPRESSION SPRING 4		2				
005	651533-4	SWITCH SLE6A2-33		1				
006	686015-7	RECEPTACLE SLEEVE		1				
007	650704-0	SWITCH D2SW-P01L1-3M		1				
008	454736-7	SWITCH LEVER		1				
009	233612-6	TORSION SPRING 10		1				
010	451985-7	LEAD COVER		1				
011	687261-5	STRAIN RELIEF		1				
012	265995-6	TAPPING SCREW 4X18		1				
013	346248-3	CLAMP 24		2				
014	922228-9	H.S.H.BOLT M5X18 WITH WR		2				
015	187698-1	GRIP SET		1				
D10		INC. 1						
016	265995-6	TAPPING SCREW 4X18		6				
022	699064-5	POWER SUPPLY CORD UNIT		1				
023	187665-6	HOUSING SET		1				
C10	263005-3	RUBBER PIN 6		2				
D10		INC. 30						
024	346248-3	CLAMP 24		1				
025	265995-6	TAPPING SCREW 4X18		1				
026	687261-5	STRAIN RELIEF		1				
027	265995-6	TAPPING SCREW 4X18		1				
028	620196-7	CONTROLLER A		1				
029	142134-4	SUB CONTROLLER COMPLETE		1				
030	187665-6	HOUSING SET		1				
C10	263005-3	RUBBER PIN 6		2				
D10		INC. 23						
031	265995-6	TAPPING SCREW 4X18		6				
032	814X28-4	DUR182L NAME PLATE		1				
033	644808-8	TERMINAL		1				
034	451601-1	SPACER 24		1				
035	168478-4	HANGER		1				
036	922228-9	H.S.H.BOLT M5X18 WITH WR		1				
056	187585-4	MOTOR HOUSING SET		1				
D10		INC. 69						
057	629985-7	STATOR		1				
058	619324-9	ROTOR		1				
059A	213961-7	O RING 22		1	*			

Please order the parts with part number.

Print Date 27/3/2020

Model No.DUR182L CORDLESS GRASS TRIMMER

Item	Parts No.	Description	I/C	Qty	New/Old	Opt. 1	Opt. 2	Note
059B	213961-7	O RING 22		1	*			
059C	213961-7	O RING 22		1	*			
059-1A	213373-4	O RING 22	O	1				
059-1B	213373-4	O RING 22	O	1				
059-1C	213373-4	O RING 22	O	1				
059-1D	213373-4	O RING 22		1				
060	318978-6	BEARING BOX		1				
061	213325-5	O RING 19		1				
062	210022-4	BALL BEARING 626DDW		1	*			
062-1	210143-2	BALL BEARING 626ZZ	O	1				
063	227773-2	HELICAL GEAR 31		1				
064	326275-6	CUTTER SHAFT		1				
065	210059-1	BALL BEARING 6000DDW		1				
066	324917-6	RECEIVE WASHER		1	*			
066-1	326906-7	RECEIVE WASHER	<	1				
069	187585-4	MOTOR HOUSING SET		1				
D10		INC. 56						
070	265995-6	TAPPING SCREW 4X18		8				
071	424567-8	RUBBER SLEEVE 24		1				
075	142241-3	PIPE COMPLETE		1				
C10	898861-8	CAUTION LABEL		1				
C20	819312-8	MAKITA LOGO LABEL		1				
077	699059-8	POWER SUPPLY CORD UNIT		1				
079	346622-5	GUARD		1				
080	326348-5	WIRE GUARD		1				
081	413143-3	WASHER		2				
082	454641-8	PROTECTOR HOLDER		1				
083	942151-2	SPRING WASHER 6		2	*			
083-1	253428-3	SPRING WASHER 6	O	2				
084	266579-3	HEX SOCKET HEAD BOLT M6X30		2				
085	266427-6	TAPPING SCREW 4X12		1	*			
085-1	266427-6	TAPPING SCREW 4X12	S	2				
086	346725-5	CUTTER		1	*			
086-1	347274-5	CUTTER	S	1				
087	454640-0	PROTECTOR		1	*			
087-1	457980-5	PROTECTOR	S	1				
088	195626-2	LOOP HANDLE SET		1				
D10		INC. 89-93						
089	922243-3	HEX. SOCKET HEAD BOLT M5X25		2				
090	452843-0	CLAMP COVER B		1				
091	346468-9	CLAMP 33		1				

Model No.DUR182L CORDLESS GRASS TRIMMER

Item	Parts No.	Description	I/C	Qty	New/Old	Opt. 1	Opt. 2	Note
092	452841-4	LOOP HANDLE		1				
093	346467-1	CLAMP 24		1	*			
093-1	347094-7	CLAMP 24	O	1				
094	802H58-1	SOUND 90DB LABEL		1				
A01	123235-7	TRIMMER HEAD ASSEMBLY 90-M8L		1				
D10		COMPO-PARTS						
A02	125516-5	BAND ASSEMBLY		1				
A03	195246-2	SAFETY GOGGLE		1	*			
A04	783202-0	HEX. WRENCH 4		1				
A05	783217-7	HEX. WRENCH 5		1				
A06	831304-7	ACCESSORY BAG		1				
A07B	450128-8	BATTERY COVER		1				
A07C	450128-8	BATTERY COVER		2				
A07D	450128-8	BATTERY COVER		1				
A08B	***DC18RC	DC18RC FAST CHARGER		1				
A08C	***DC18RC	DC18RC FAST CHARGER		1				
A08D	***DC18RC	DC18RC FAST CHARGER		1				
A09B	194204-5	BATTERY BL1830 SET		1	*			
A09C	194204-5	BATTERY BL1830 SET		2	*			
A09-1B	194204-5	BATTERY BL1830 SET	O	1	*			
A09-1C	194204-5	BATTERY BL1830 SET	O	2	*			
A09-1D	196399-0	BATTERY BL1840 SET		1	*			
A09-2B	197600-6	BATTERY BL1830B SET	<	1	*			
A09-2C	197600-6	BATTERY BL1830B SET	<	2	*			
A09-2D	197265-4	BATTERY BL1840B SET	<	1	*			
A09-3B	197600-6	BATTERY BL1830B SET	O	1				
A09-3C	197600-6	BATTERY BL1830B SET	O	2				
A09-3D	197265-4	BATTERY BL1840B SET	O	1				

Please order the parts with part number.

Print Date 27/3/2020