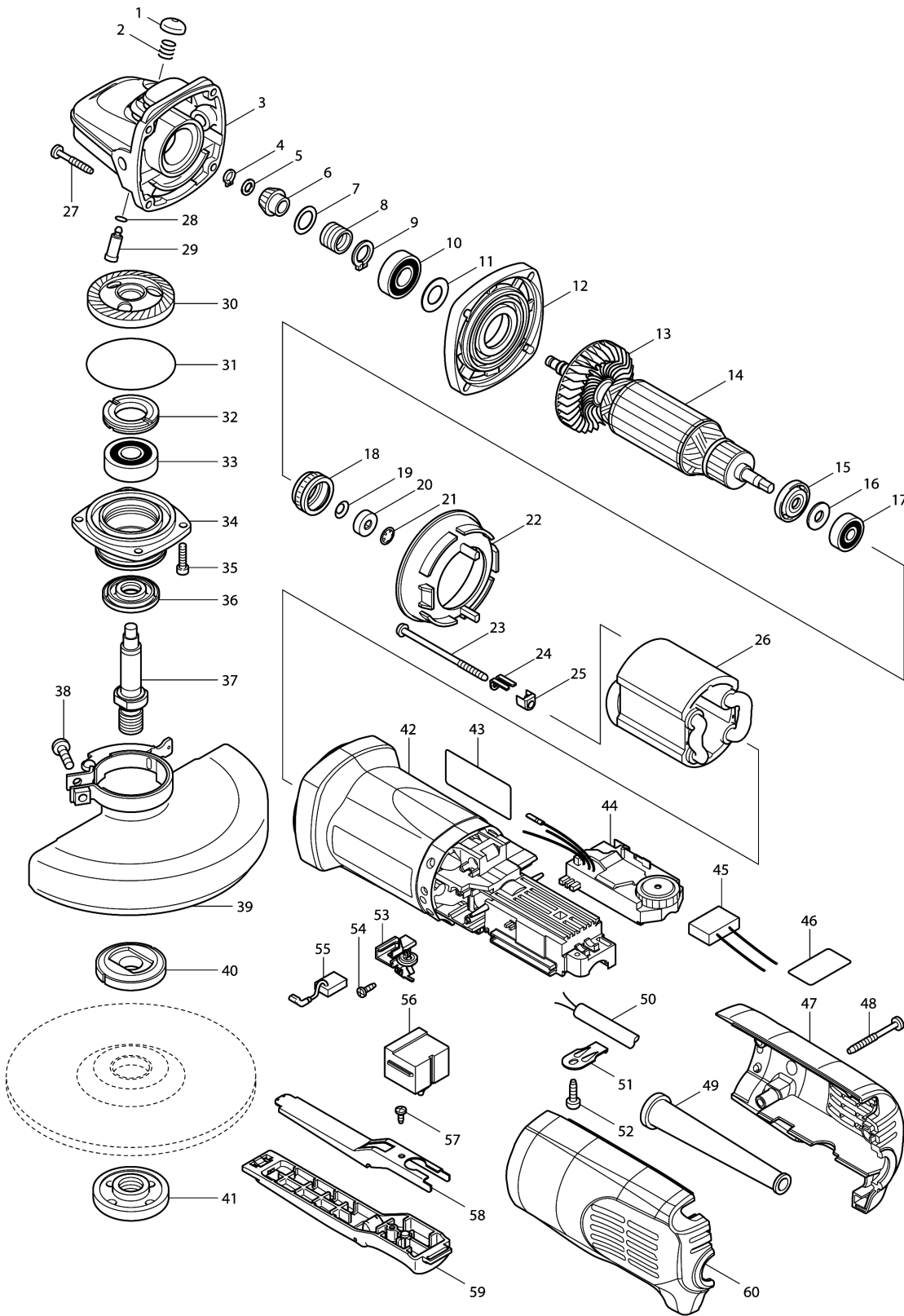


Model No.9566PCV 150MM ANGLE GRINDER



Model No.9566PCV 150MM ANGLE GRINDER

Item	Parts No.	Description	I/C	Qty	New/Old	Opt. 1	Opt. 2	Note
001	418067-8	PIN CAP		1				
002	233072-2	COMPRESSION SPRING 8		1				
003	153488-4	GEAR HOUSING COMPLETE		1				
004	961002-0	RETAINING RING S-6		1				
005	253077-6	FLAT WASHER 6		1				
006	227429-7	SPIRAL BEVEL GEAR 9		1				
007	253052-2	FLAT WASHER 12		1				
008	233901-9	LOCK SPRING 12		1				
009	961052-5	RETAINING RING S-12		1				
010	210105-0	BALL BEARING 6001LLU		1				
011	253084-9	FLAT WASHER 12		1				
012	317359-1	GEAR HOUSING COVER		1				
013	240033-5	FAN 57		1				
014	515208-8	ARMATURE ASS'Y 220-240V		1				
D10		INC. 13,15-17						
015	681656-4	INSULATION WASHER		1				
016	253823-7	FLAT WASHER 7		1				
017	210027-4	BALL BEARING 627DDW		1				
018	421738-8	LABYRINTH RUBBER RING 22		1				
019	267756-0	WAVE WASHER 6		1				
020	688117-5	MAGNET SLEEVE		1				
021	259039-2	SELF LOCK 6		1				
022	413076-2	BAFFLE PLATE		1				
023	266258-3	TAPPING SCREW 4X70		2				
024	344871-8	RETAINER		2				
025	417237-6	INSULATION COVER		2				
026-1	626598-5	FIELD 220-240V		1				
027	266257-5	TAPPING SCREW 4X28		4				
028	213048-5	O RING 6		1				
029	256459-1	PIN		1				
030	227430-2	SPIRAL BEVEL GEAR 35		1				
031	213673-2	O RING 52		1				
032	285841-7	BEARING RETAINER		1				
033	211129-9	BALL BEARING 6201DDW		1				
034-2	318334-0	BEARING BOX		1				
035	265490-6	HEX. SOCKET HEAD BOLT M4X16		4				
036	415300-9	LABYRINTH RING		1				
037	324035-0	SPINDLE		1				
038-1	265180-1	PAN HEAD SCREW M5X16		1				
039-2	122896-0	TOOLLESS WHEELCOVER 150K ASS'Y		1	*			
C10	213009-5	O RING 4		1	*			

Model No.9566PCV 150MM ANGLE GRINDER

Item	Parts No.	Description	I/C	Qty	New/Old	Opt. 1	Opt. 2	Note
D10		INC. 38			*			
039-3	123146-6	TOOLLESS WHEELCOVER 150AK ASSY	<	1				
C10	213009-5	O RING 4		1				
D10		INC. 38						
040	224415-9	INNER FLANGE 42		1				
041	224554-5	LOCK NUT 14-45		1				
042	450146-6	MOTOR HOUSING		1	*			
042-1	455358-6	MOTOR HOUSING	O	1				
043	864148-0	9566PCV NAME PLATE		1				
044	631791-8	CONTROLLER		1				
045	645238-6	NOISE SUPPRESSOR		1				
046	816901-0	INDICATION LABEL		1				
047	188365-1	REAR COVER SET		1				
D10		INC. 60						
048	266048-4	TAPPING SCREW 4X40		3				
049	682559-5	CORD GUARD 8		1				
050	665394-6	POWER SUPPLY CORD 1.0-2- 2.5		1				
051	687169-3	STRAIN RELIEF		1				
052	266192-7	TAPPING SCREW 4X14		1				
053	643760-7	BRUSH HOLDER		2				
054	266256-7	TAPPING SCREW PT3X10		4				
055	191978-9	A.C. CARBON BRUSH CB-318		1				
056	650579-7	SWITCH 1246.3223		1				
057	265954-0	TAPPING SCREW BIND PT3X8		1				
058	345504-8	PLATE		1				
059	154584-1	SWITCH LEVER B COMPLETE		1				
060	188365-1	REAR COVER SET		1				
D10		INC. 47						
061	819356-8	CLEAR LABEL		1	*			
061-1	805W66-1	CLEAR LABEL	O	1	*			
A01	162258-0	VIBRATION PROOF GRIP		1				
A02	782423-1	LOCK NUT WRENCH 35		1				

Please order the parts with part number.

Print Date 26/3/2020